



# COLLARS and WASHERS

<b>HEAVY TURNED WASHERS</b>	page 4
<b>TURNED TAPER WASHERS</b>	5
<b>TURNED WASHERS FOR SWIVEL HEADS</b>	5
<b>COLLARS IN COMPLIANCE WITH DIN 705</b>	6
<b>CLAMPING COLLARS FORM C-AB</b>	7
<b>CLAMPING COLLARS WITH OPEN RING</b>	8



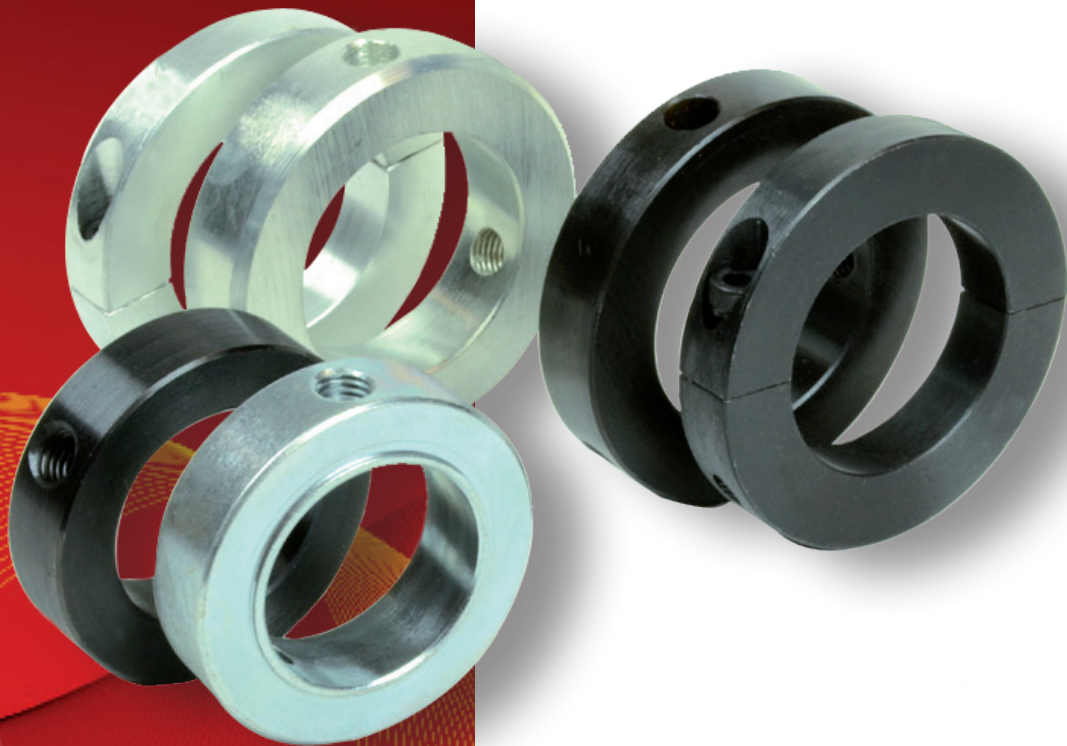
# CLAMPING COLLARS

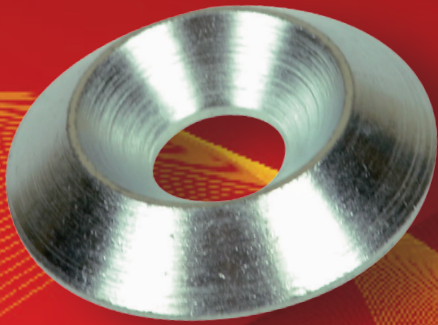
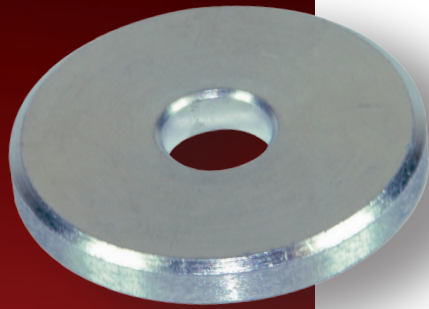
## CLAMPING COLLARS

PHOSPHATED

GALVANISED

INOX



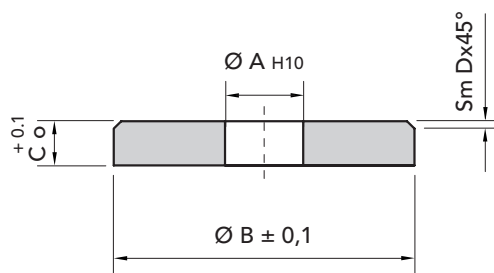


**TURNUED WASHERS**  
PHOSPHATED  
GALVANISED



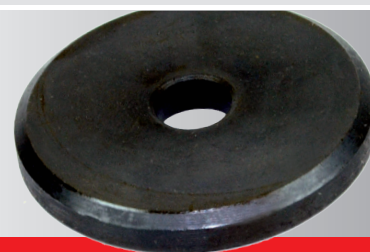
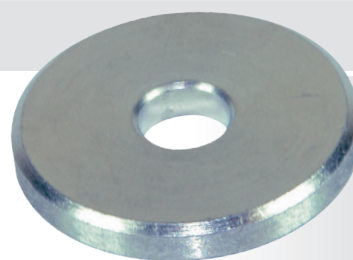
## C-RGS

Packages containing  
50 pieces



TYPE	PHOSPHATED	GALVANISED	Ø A	Ø B	C	D	WEIGHT FOR PACKAGE
	PART NUMBER	PART NUMBER					kg
C-RGS 3-10	26100310	26200310	3,2	10	2	0,5	0,10
C-RGS 4-10	26100410	26200310	4,2	10	2	0,5	0,10
C-RGS 4-15	26100415	26200415	4,2	15	3	0,5	0,15
C-RGS 5-15	26100515	26200515	5,2	15	3	0,5	0,15
C-RGS 5-20	26100520	26200520	5,2	20	3	0,5	0,45
C-RGS 5-25	26100525	26200525	5,2	25	4	1	0,70
C-RGS 5-30	26100530	26200530	5,2	30	4	1	1,35
C-RGS 6-15	26100615	26200615	6,2	15	3	0,5	0,12
C-RGS 6-20	26100620	26200620	6,2	20	3	0,5	0,40
C-RGS 6-25	26100625	26200625	6,2	25	4	1	0,80
C-RGS 6-30	26100630	26200630	6,2	30	4	1	1,05
C-RGS 6-35	26100635	26200635	6,2	35	5	1	1,85
C-RGS 6-40	26100640	26200640	6,5	40	5	1	2,35
C-RGS 8-20	26100820	26200820	8,5	20	4	0,5	0,35
C-RGS 8-25	26100825	26200825	8,5	25	4	1	0,70
C-RGS 8-30	26100830	26200830	8,5	30	4	1	1,00
C-RGS 8-35	26100835	26200835	8,5	35	5	1	1,80
C-RGS 8-40	26100840	26200840	8,5	40	5	1	2,30
C-RGS 8-45	26100845	26200845	8,5	45	5	2	2,90
C-RGS 8-50	26100850	26200850	8,5	50	6	2	4,15
C-RGS 10-25	26101025	26201025	10,5	25	4	1	2,00
C-RGS 10-35	26101035	26201035	10,5	35	5	1	1,60
C-RGS 10-40	26101040	26201040	10,5	40	5	1	2,25
C-RGS 10-45	26101045	26201045	10,5	45	5	2	2,65
C-RGS 10-50	26101050	26201050	10,5	50	6	2	4,10
C-RGS 12-50	26101250	26201250	12,5	50	6	2	4,60

MATERIAL **C 45 UNI 7845**  
**PHOSPHATED**  
**GALVANISED**



CAD drawings available on our site  
[www.chiaravalli.com](http://www.chiaravalli.com)

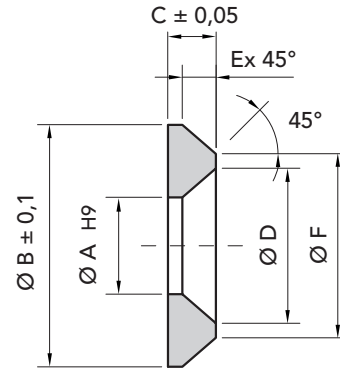
Quantity, availability and prices  
on B2B Chiaravalli



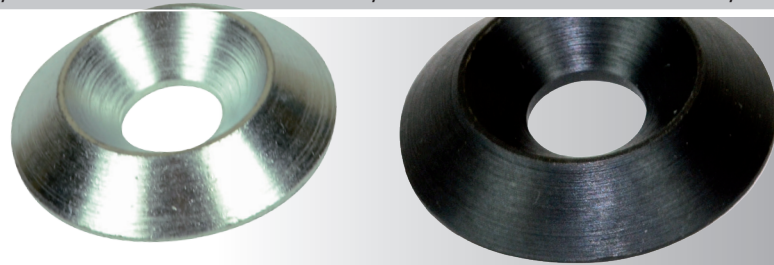
# TURNED TAPER WASHERS

## C-RC

Packages containing 30 pieces



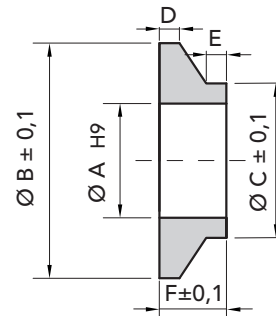
TYPE	PHOSPHATED P. NUMBER	GALVANISED P. NUMBER	Ø A	Ø B	C	Ø D	E	Ø F	WEIGHT FOR PACKAGE
									kg
C-RC 4	26300004	26400004	4,1	13	3	8	2,1x45°	8,8	0,12
C-RC 5	26300005	26400005	5,2	16	3,5	10	2,6x45°	10,8	0,15
C-RC 6	26300006	26400006	6,5	18	3,5	12	2,1x45°	13,8	0,24
C-RC 8	26300008	26400008	8,5	25	5	16,5	3,5x45°	18	0,36
C-RC 10	26300010	26400010	10,5	33	7	20,5	6x45°	21	0,75
C-RC 12	26300012	26400012	12,5	40	8	24,5	7x45°	26	1,50



# TURNED WASHERS FOR SWIVEL HEADS

## C-RS

Packages containing 30 pieces



TYPE	PHOSPHATED P. NUMBER	GALVANISED P. NUMBER	Ø A	Ø B	C	Ø D	E	Ø F	WEIGHT FOR PACKAGE
									kg
C-RS 6	26500006	26600006	6,5	15	9	1,5	1	4	0,15
C-RS 8	26500008	26600008	8,5	22	12	1,5	2	6,5	0,27
C-RS 10	26500010	26600010	10,5	22	14	1,5	3	6,5	0,40



MATERIAL C 45 UNI 7845  
PHOSPHATED  
GALVANISED

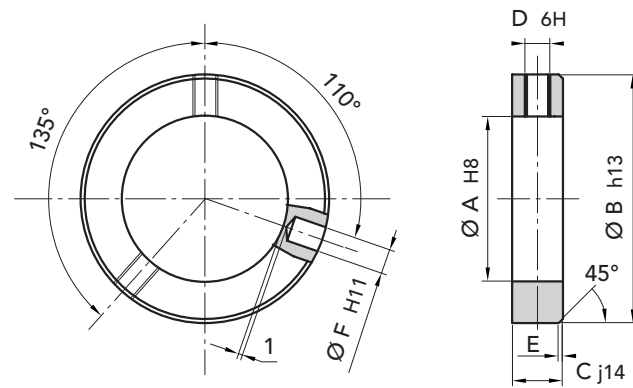
CAD drawings available on our site  
[www.chiaravalli.com](http://www.chiaravalli.com)

Quantity, availability and prices  
on B2B Chiaravalli

**C-ABU**

Packages containing  
100 pieces C-ABU 6÷20

Packages containing  
50 pieces C-ABU 25÷70



TYPE	PHOSPHATED	GALVANISED	INOX	WEIGHT FOR						
	P. NUMBER	P. NUMBER	P. NUMBER	PACKAGE						
				Ø A	Ø B	C	Ø D	E	Ø F	Kg
C-ABU 6	27100006	27200006	27700006	6	12	8	M4	0,8	1,5	0,40
C-ABU 8	27100008	27200008	27700008	8	16	8	M4	0,8	2	0,80
C-ABU 10	27100010	27200010	27700010	10	20	10	M5	1	3	1,50
C-ABU 12	27100012	27200012	27700012	12	22	12	M6	1,2	4	2,00
C-ABU 14	27100014	27200014		14	25	12	M6	1,2	4	2,70
C-ABU 15	27100015	27200015	27700015	15	25	12	M6	1,2	4	2,50
C-ABU 16	27100016	27200016	27700016	16	28	12	M6	1,2	4	3,50
C-ABU 17	27100017	27200017	27700017	17	28	12	M6	1,2	4	3,00
C-ABU 18	27100018	27200018		18	32	14	M6	1,4	5	5,40
C-ABU 20	27100020	27200020	27700020	20	32	14	M6	1,4	5	4,80
C-ABU 25	27100025	27200025	27700025	25	40	16	M8	1,6	6	4,25
C-ABU 30	27100030	27200030	27700030	30	45	16	M8	1,6	6	5,00
C-ABU 35	27100035	27200035	27700035	35	56	16	M8	1,6	8	8,60
C-ABU 40	27100040	27200040	27700040	40	63	18	M10	1,8	8	12,00
C-ABU 45	27100045	27200045		45	70	18	M10	1,8	8	13,50
C-ABU 50	27100050	27200050	27700050	50	80	18	M10	1,8	10	22,00
C-ABU 60	27100060	27200060		60	90	20	M10	2	10	26,40
C-ABU 70	27100070	27200070		70	100	20	M10	2	10	28,75

MATERIAL C 45 UNI 7845  
PHOSPHATED  
GALVANISED  
INOX AISI 304

CAD drawings available on our site  
[www.chiaravalli.com](http://www.chiaravalli.com)

Quantity, availability and prices  
on B2B Chiaravalli

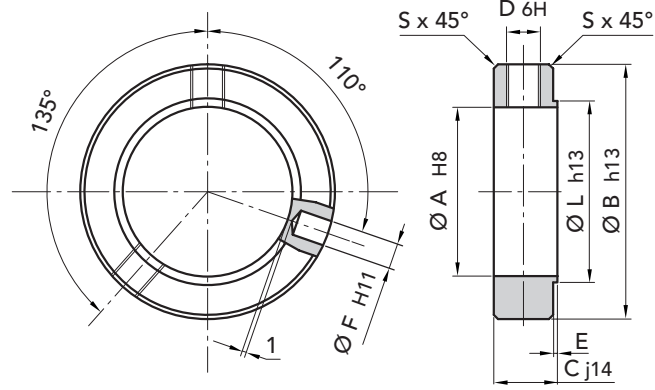




# CLAMPING COLLARS FORM C-AB

## C-AB

Packages containing 30 pieces



CLAMPING COLLARS FORM C-AB

TYPE	PHOSPHATED P. NUMBER	GALVANISED P. NUMBER										WEIGHT FOR PACKAGE
			Ø A	Ø B	C	Ø D	E	Ø F	Ø L	S	kg	
C-AB 6	27300006	27400006	6	12	8	M4	0,6	1,5	8	0,3	0,06	
C-AB 8	27300008	27400008	8	16	8	M4	0,8	2	10	0,3	0,24	
C-AB 10	27300010	27400010	10	20	10	M5	0,8	3	13	0,3	0,36	
C-AB 12	27300012	27400012	12	22	12	M5	0,8	4	15	0,5	0,42	
C-AB 15	27300015	27400015	15	25	12	M6	1	4	18	0,6	0,63	
C-AB 17	27300017	27400017	17	28	12	M6	1	4	20	0,6	0,72	
C-AB 20	27300020	27400020	20	32	14	M6	1	5	24	0,8	1,44	
C-AB 25	27300025	27400025	25	40	16	M6	1	6	29	0,8	2,61	
C-AB 30	27300030	27400030	30	45	16	M8	1,2	6	34	1	2,10	
C-AB 35	27300035	27400035	35	56	16	M8	1,2	8	39	1	4,92	
C-AB 40	27300040	27400040	40	63	18	M10	1,2	8	44	1	7,50	



MATERIAL **C 45 UNI 7845**  
PHOSPHATED  
GALVANISED

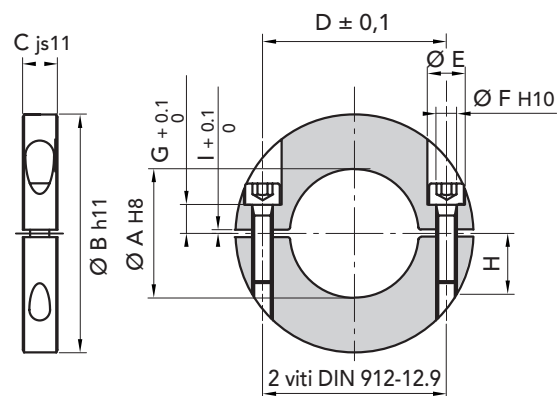
CAD drawings available on our site  
[www.chiaravalli.com](http://www.chiaravalli.com)

Quantity, availability and prices  
on B2B Chiaravalli

**C-ADB**

Packages containing  
10 pieces C-ADB 8÷40

Packages containing  
5 pieces C-ADB 45÷70



TYPE	PHOSPHATED P. NUMBER	GALVANISED P. NUMBER											WEIGHT FOR PACKAGE	
			Ø A	Ø B	C	Ø D	Ø E	Ø F	G	H	I	Viti	Kg	
C-ADB 8	27500008	27600008	8	25	10	15	8	4,5	5	15	1,4	M4x15	0,40	
C-ADB 10	27500010	27600010	10	32	10	20	8	4,5	5	15	1,4	M4x15	0,57	
C-ADB 12	27500012	27600012	12	32	10	20	8	4,5	5	15	2	M4x15	0,60	
C-ADB 15	27500015	27600015	15	40	12	25	10	5,5	7	18	2	M5x20	1,00	
C-ADB 18	27500018	27600018	18	45	12	30	10	5,5	7	18	2	M5x20	1,25	
C-ADB 20	27500020	27600020	20	45	12	30	10	5,5	7	18	2	M5x20	1,20	
C-ADB 24	27500024	27600024	24	50	12	36	10	5,5	7	18	2	M5x20	1,42	
C-ADB 25	27500025	27600025	25	50	12	36	10	5,5	7	18	2	M5x20	1,41	
C-ADB 28	27500028	27600028	28	56	12	42	10	5,5	7	18	2	M5x20	1,74	
C-ADB 30	27500030	27600030	30	56	12	42	10	5,5	7	18	2	M5x20	1,65	
C-ADB 32	27500032	27600032	32	56	12	42	10	5,5	7	18	2	M5x20	1,60	
C-ADB 35	27500035	27600035	35	63	12	48	10	5,5	7	18	2	M5x20	2,03	
C-ADB 38	27500038	27600038	38	63	12	48	10	5,5	7	18	2	M5x20	2,00	
C-ADB 40	27500040	27600040	40	70	14	55	11	6,5	7	18	2	M6x20	2,84	
C-ADB 45	27500045	27600045	45	80	14	65	11	6,5	7	18	2	M6x20	1,90	
C-ADB 50	27500050	27600050	50	80	14	65	11	6,5	7	18	2	M6x20	1,75	
C-ADB 60	27500060	27600060	60	100	16	80	14	8,5	7	18	2	M8x20	3,15	
C-ADB 70	27500070	27600070	70	110	20	88	17	11	8,5	22	3	M10x25	4,40	
C-ADB 80	27500080	27600080	80	125	20	100	17	11	8,5	22	3	M10x25	5,65	

MATERIAL **C 45 UNI 7845**  
**PHOSPHATED**  
**GALVANISED**

CAD drawings available on our site  
[www.chiaravalli.com](http://www.chiaravalli.com)

Quantity, availability and prices  
on B2B Chiaravalli







# SPECIAL

## COMPONENTS MANUFACTURING

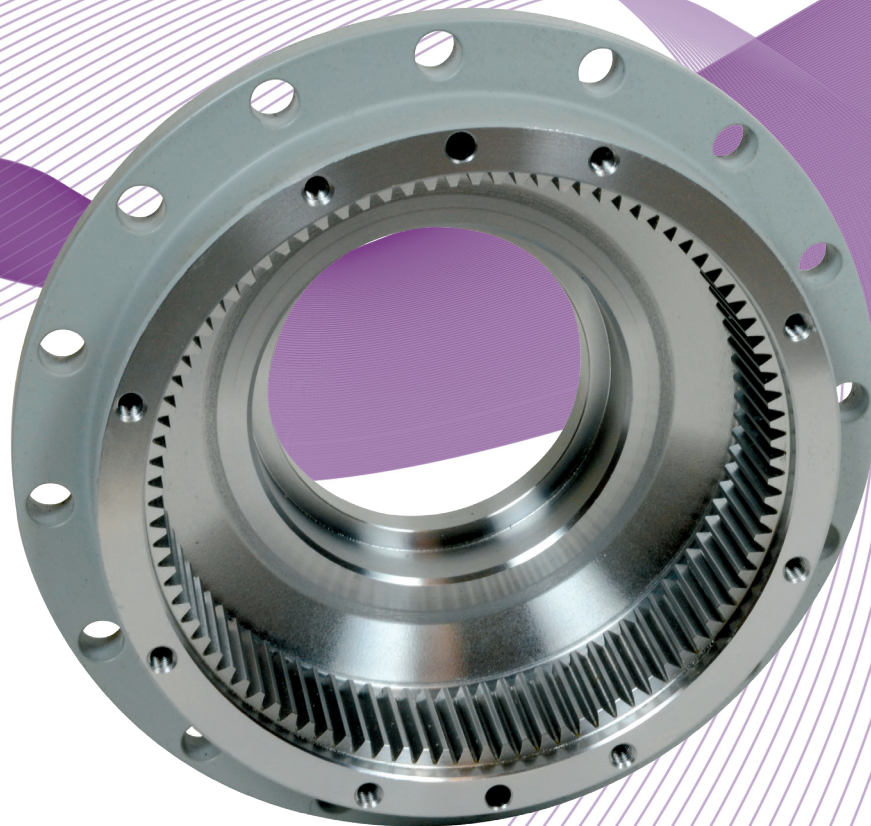
*We produce high precision Gears and Special Mechanical Components.*

*A large and varied range of modern CNC machine tools assures large capacity production at high quality level.*

*Chiaravalli Group SpA co-workers, highly skilful and motivated by a great spirit of belonging to the company,*

*operate using the most modern CAE and CAD-CAM technologies. The production is certified and assured using three-dimensional high precision measuring machines.*

***Chiaravalli Group SpA your technological partner for high quality production.***





# WORM SCREW

# JACKS

*The new line of Worm Screw Jacks named CHT (Chiaravalli High Tech) integrates and completes our range of Mechanical Transmission products.*

*This new line of products is manufactured using high quality materials, manufactured with absolute precision, making use of the modern machinery fleet of the companies belonging to Chiaravalli Group SpA.*

*The basic elements that make up the final product "Screw Jack" are made in large series, rigorously*

*checked and put in stock.*

*Special virtual software developed by Chiaravalli Group SpA enables our customers to first view the various elements of the required screw jack and then, in the second phase, to order it with absolute precision and confidence.*

*Chiaravalli Group SpA is engaged to ensure the delivery of this product in very short time, with quality and precision.*

