



## PLATEWHEELS

<b>ISO PLATEWHEELS</b>	page 4
<b>ASA PLATEWHEELS</b>	30
<b>DOUBLE PLATEWHEELS</b> FOR TWO SIMPLE CHAIN	39
<b>PLATEWHEELS</b> FOR CONVEYORS AND ELEVATORS	43

## WHEELS FOR TABLE TOP CHAINS

<b>WHEELS</b> FOR TABLE TOP CHAINS	47
---------------------------------------	----

## HUBS and ADAPTORS

<b>WELDED HUBS</b>	51
<b>WELDED HUBS</b> FOR TAPER BUSHES	52
<b>REMOVABLE HUBS</b> FOR TAPER BUSHES	53
<b>REMOVABLE HUBS</b> FOR PLATEWHEELS	54
<b>ADAPTORS</b> FOR TAPER BUSHES	55



# PLATEWHEELS





The range of platewheels designed for chains manufactured by our Company provides an all-round solution to the needs of industry in the sector of flexible mechanical transmissions and is the result of a manufacturing process that is designed to achieve the top in terms of technical and quality performance.

Our production programme includes sprockets and wheels designed for chains, produced in compliance with the principles and with the most recent Standards and International Unified Standards: UNI, ISO, DIN, ANSI, etc.

However, the standards define a profile with minimum dimensions and a profile with maximum dimensions for the wheel space for chains and rollers and the actual profile must lie within these values.

There is the option of selecting proportioning criteria for the profile, since the tolerances that the Standards leave to the manufacturer's discretion are quite wide. The profiles can be optimised in terms of smooth transmission and the tooth's capacity to support greater stresses. This has led to the systematic development of a series of standardised profiles for which the geometry can be reproduced with great precision by tools designed specifically by computer and the reference profile of which is protected by the Company's knowhow.

A valued feature of this optimised profile, which is a characteristic exclusive to CHIARAVALLI GROUP SpA, is that of enhancing the "polygonal" chain wrap-around on the sprocket and on the platewheel, reproducing the motion discontinuity which is achieved even in the case of unfavourable transmission ratios and centre distances.

As a result of this CHIARAVALLI GROUP SpA has been able to include sprockets with a very low number of teeth in its catalogue and production programme.

Respecting precision with limited machining errors is beneficial, even if the toothed wheel-chain set represents a somewhat "basic" transmission solution.

This precision is assured by the systematic use of CNC machines and technologies developed to minimise the shearing stress and to improve the degree of surface finish. The sprockets and wheels designed for chains included in the catalogue are also manufactured in the version with the "Taperlock" taper bush piece system particularly favoured in applications that require easy assembly and very precise centring tolerances.

Our sales programme is completed with single and multiple roller chains, and special chains suitable for every industrial application and CHIARAVALLI GROUP SpA is also able to manufacture sprockets and platewheels suitable for chains in a specific execution, produced to drawing any of material and with induction hardening and case-hardening and hardening applied to steel wheels and sprockets.



PLATEWHEELS 5 x 2.5 mm for roller chains in compliance with DIN 8187 - ISO/R 606

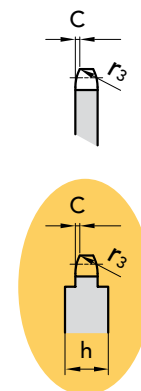
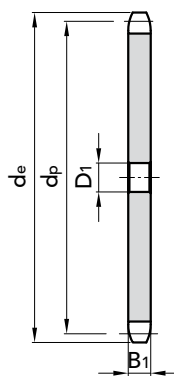
## 5 x 2.5 mm

### PLATEWHEEL

Tooth radius $r_3$	5	mm
Radius width $\overset{\curvearrowright}{C}$	0,6	mm
Plate tooth width $B_1$	2,3	mm

### CHAIN

Pitch	5	mm
Inner width	2,5	mm
Roller $\varnothing$	3,2	mm



### SIMPLE

Z	D <sub>1</sub>	d <sub>e</sub>	d <sub>p</sub>	P. NUMBER	kg.	Z	D <sub>1</sub>	d <sub>e</sub>	d <sub>p</sub>	P. NUMBER	kg.
8	4	15,2	13,06	20105008	0,01	52	10	85,0	82,81	20105052	0,17
9	4	16,8	14,62	20105009	0,01	55	10	89,7	87,58	20105055	0,18
10	4	18,3	16,18	20105010	0,01	56	10	91,3	89,17	20105056	0,19
11	5	19,9	17,75	20105011	0,01	57	10	92,9	90,76	20105057	0,20
12	5	21,5	19,32	20105012	0,01	58	10	94,5	92,35	20105058	0,20
13	5	23,0	20,89	20105013	0,01	59	10	96,1	93,94	20105059	0,21
14	5	24,6	22,47	20105014	0,01	60	10	97,7	95,53	20105060	0,23
15	5	26,2	24,04	20105015	0,01	62	12	100,9	98,72	20105062	0,24
16	6	27,8	25,63	20105016	0,01	64	12	104,1	101,90	20105064	0,27
17	6	29,4	27,20	20105017	0,01	65	12	105,6	103,49	20105065	0,28
18	6	30,9	28,79	20105018	0,01	66	12	107,2	105,08	20105066	0,31
19	6	32,5	30,38	20105019	0,01	70	12	113,6	111,44	20105070	0,36
20	6	34,1	31,96	20105020	0,01	75	12	121,6	119,40	20105075	0,37
21	8	35,7	33,54	20105021	0,01	76	12	123,1	120,99	20105076	0,41
22	8	37,3	35,13	20105022	0,02	80	12	129,5	127,35	20105080	0,46
23	8	38,9	36,72	20105023	0,02	85	14	137,5	135,31	20105085	0,52
24	8	40,5	38,30	20105024	0,02	90	14	145,4	143,27	20105090	0,58
25	8	42,0	39,89	20105025	0,02	95	14	153,4	151,22	20105095	0,65
26	8	43,6	41,48	20105026	0,02	100	14	161,3	159,18	20105100	0,79
27	8	45,2	43,07	20105027	0,02	114	14	183,6	181,46	20105114	0,85
28	8	46,8	44,65	20105028	0,03	120	14	193,2	191,01	20105120	0,95
30	8	50,0	47,83	20105030	0,03	125	14	201,1	198,96	20105125	1,03
32	8	53,2	51,01	20105032	0,03						
33	8	54,8	52,60	20105033	0,04						
34	8	56,3	54,19	20105034	0,04						
35	8	57,9	55,78	20105035	0,04						
36	8	59,5	57,37	20105036	0,04						
37	8	61,1	58,96	20105037	0,05						
38	8	62,7	60,54	20105038	0,05						
40	8	65,9	63,73	20105040	0,05						
42	8	69,1	66,91	20105042	0,06						
44	8	72,2	70,09	20105044	0,07						
45	8	73,8	71,68	20105045	0,07						
46	8	75,4	73,27	20105046	0,07						
48	8	78,6	76,45	20105048	0,08						
50	8	81,8	79,63	20105050	0,08						

From Z.52 the width of the disk wheel increased to  $h = 4\text{mm}$

MATERIAL **FE / C45**

Ask for specific needs.

CAD drawings available on our site  
[www.chiaravalli.com](http://www.chiaravalli.com)

Quantity, availability and prices  
 on B2B Chiaravalli





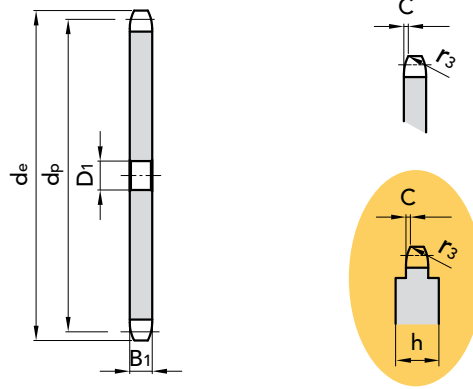
## 6 x 2.8 mm

### PLATEWHEEL

Tooth radius $r_3$	6	mm
Radius width $C$	0,7	mm
Plate tooth width $B_1$	2,6	mm

### CHAIN

Pitch	6	mm
Inner width	2,8	mm
Roller $\varnothing$	4	mm



### SIMPLE

Z	D <sub>1</sub>	d <sub>e</sub>	d <sub>p</sub>	P. NUMBER	kg.	Z	D <sub>1</sub>	d <sub>e</sub>	d <sub>p</sub>	P. NUMBER	kg.
8	5	18,0	15,67	20106008	0,01	52	12	101,8	99,37	20106052	0,25
9	5	19,9	17,54	20106009	0,01	54	12	105,6	103,17	20106054	0,26
10	6	21,7	19,42	20106010	0,01	55	12	107,6	105,08	20106055	0,27
11	6	23,6	21,30	20106011	0,01	56	12	109,5	109,50	20106056	0,28
12	8	25,4	23,18	20106012	0,01	57	12	111,4	111,40	20106057	0,29
13	8	27,3	25,05	20106013	0,01	58	12	113,3	113,30	20106058	0,30
14	8	29,2	26,96	20106014	0,01	60	12	117,1	117,10	20106060	0,33
15	8	31,0	28,86	20106015	0,01	62	14	120,9	120,90	20106062	0,35
16	8	33,0	30,76	20106016	0,01	64	14	124,7	124,70	20106064	0,37
17	8	35,0	32,65	20106017	0,01	65	14	126,6	126,60	20106065	0,38
18	8	36,9	34,55	20106018	0,02	66	14	128,5	128,50	20106066	0,40
19	8	38,8	36,44	20106019	0,02	70	14	136,2	136,20	20106070	0,45
20	8	40,7	38,34	20106020	0,02	75	16	145,7	145,70	20106075	0,48
21	8	42,6	40,25	20106021	0,02	76	16	147,6	147,60	20106076	0,53
22	8	44,5	42,16	20106022	0,02	80	16	155,3	155,30	20106080	0,59
23	8	46,4	44,06	20106023	0,03	85	16	164,8	164,80	20106085	0,67
24	8	48,3	45,96	20106024	0,03	90	16	174,4	174,40	20106090	0,77
25	8	50,2	47,87	20106025	0,03	95	16	183,9	183,90	20106095	0,85
26	8	52,1	49,76	20106026	0,03	100	16	193,5	193,50	20106100	0,94
27	8	54,0	51,67	20106027	0,04	114	16	220,2	220,20	20106114	1,23
28	8	55,9	53,58	20106028	0,04	120	16	231,7	231,70	20106120	1,37
30	8	59,8	57,42	20106030	0,05	125	16	241,2	238,75	20106125	1,48
32	8	63,6	61,21	20106032	0,05						
33	8	65,5	63,11	20106033	0,06						
34	8	67,4	65,02	20106034	0,06						
35	8	69,3	66,93	20106035	0,07						
36	8	71,2	68,84	20106036	0,07						
37	8	73,1	70,75	20106037	0,07						
38	8	75,0	72,66	20106038	0,08						
40	8	78,9	76,47	20106040	0,09						
42	10	82,7	80,28	20106042	0,10						
44	10	86,6	84,10	20106044	0,11						
45	10	88,5	86,01	20106045	0,11						
46	10	90,4	87,92	20106046	0,12						
48	10	94,2	91,74	20106048	0,13						
50	10	98,0	95,55	20106050	0,14						

From Z.52 the width of the disk wheel increased to  $h = 4\text{mm}$

MATERIAL **FE / C45**

Ask for specific needs.

CAD drawings available on our site  
[www.chiaravalli.com](http://www.chiaravalli.com)

Quantity, availability and prices  
 on B2B Chiaravalli



PLATEWHEELS 6 x 2.8 mm for roller chains in compliance with DIN 8187 - ISO/R 606



PLATEWHEELS 1/4" x 1/8" for roller chains in compliance with DIN 8188 - ASA 25 - ISO/R 606 - ANSI B 29 1

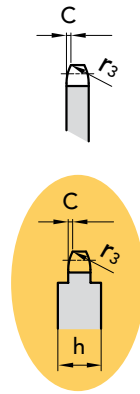
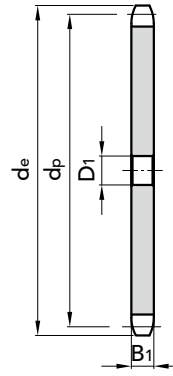
## 1/4" x 1/8" ASA 25

### PLATEWHEEL

Tooth radius $r_3$	6,4	mm
Radius width $\overset{\circ}{C}$	0,7	mm
Plate tooth width $B_1$	2,9	mm

### CHAIN

Pitch	6,35	mm
Inner width	3,18	mm
Roller $\varnothing$	3,3	mm



### SIMPLE

Z	D <sub>1</sub>	d <sub>e</sub>	d <sub>p</sub>	P. NUMBER	kg.	Z	D <sub>1</sub>	d <sub>e</sub>	d <sub>p</sub>	P. NUMBER	kg.
8	6	19,4	16,58	20107008	0,005	52	12	108,0	105,16	20107052	0,260
9	6	21,4	18,56	20107009	0,005	54	12	112,0	109,18	20107054	0,294
10	6	23,3	20,55	20107010	0,006	55	12	114,0	111,23	20107055	0,296
11	8	25,3	22,54	20107011	0,008	56	12	116,0	113,25	20107056	0,310
12	8	27,3	24,53	20107012	0,010	57	12	118,1	115,27	20107057	0,320
13	8	29,3	26,53	20107013	0,013	58	12	120,1	117,29	20107058	0,330
14	8	31,3	28,53	20107014	0,013	60	12	124,1	121,32	20107060	0,360
15	8	33,3	30,53	20107015	0,013	62	12	128,2	125,37	20107062	0,390
16	8	35,3	32,55	20107016	0,016	64	12	132,2	129,41	20107064	0,420
17	8	37,3	34,55	20107017	0,017	65	12	134,2	131,43	20107065	0,430
18	8	39,4	36,56	20107018	0,021	66	14	136,2	133,45	20107066	0,440
19	8	41,4	38,58	20107019	0,023	70	14	144,3	141,53	20107070	0,505
20	8	43,4	40,58	20107020	0,026	75	14	154,4	151,63	20107075	0,580
21	8	45,4	42,60	20107021	0,028	76	14	156,5	153,66	20107076	0,590
22	8	47,4	44,62	20107022	0,030	80	16	164,5	161,74	20107080	0,660
23	8	49,4	46,63	20107023	0,038	85	16	174,6	171,85	20107085	0,750
24	8	51,4	48,64	20107024	0,038	90	16	184,7	181,95	20107090	0,840
25	8	53,5	50,66	20107025	0,040	95	16	194,8	192,05	20107095	0,940
26	8	55,5	52,67	20107026	0,040	100	16	204,9	202,15	20107100	1,050
27	8	57,5	54,69	20107027	0,045	110	16	225,1	222,37	20107110	1,280
28	8	59,5	56,71	20107028	0,056	114	16	233,2	230,45	20107114	1,380
30	8	63,6	60,75	20107030	0,060	120	16	245,4	242,58	20107120	1,530
32	10	67,6	64,78	20107032	0,060	125	16	255,5	252,68	20107125	1,660
33	10	69,6	66,80	20107033	0,070						
34	10	71,6	68,82	20107034	0,070						
35	10	73,6	70,84	20107035	0,080						
36	10	75,6	72,85	20107036	0,085						
37	10	77,7	74,87	20107037	0,090						
38	10	79,7	76,89	20107038	0,095						
40	10	83,7	80,93	20107040	0,110						
42	10	87,8	84,97	20107042	0,117						
44	10	91,8	89,01	20107044	0,120						
45	10	93,8	91,03	20107045	0,135						
46	10	95,8	93,05	20107046	0,140						
48	10	99,9	97,09	20107048	0,150						
50	10	103,9	101,13	20107050	0,170						

From Z.52 the width of the disk wheel increased to  $h = 4\text{mm}$

MATERIAL **FE / C45**

Ask for specific needs.

CAD drawings available on our site  
[www.chiaravalli.com](http://www.chiaravalli.com)

Quantity, availability and prices  
 on B2B Chiaravalli





# PLATEWHEELS

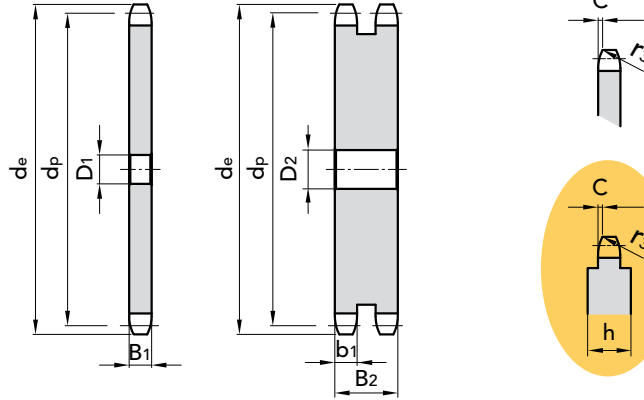
8 x 3 mm

### PLATEWHEEL

Tooth radius $r_3$	8	mm
Radius width $C$	1,0	mm
Plate tooth width $B_1$	2,8	mm
Plate tooth width $b_1$	2,7	mm
Plate tooth width $B_2$	8,3	mm

### CHAIN

Pitch	8	mm
Inner width	3	mm
Roller $\varnothing$	5	mm



**PLATEWHEELS 8 x 3 mm**  
for roller chains in compliance  
with DIN 8187 - ISO/R 606

#### SIMPLE

#### DOUBLE

Z	D <sub>1</sub>	d <sub>e</sub>	d <sub>p</sub>	P. NUMBER	kg.	Z	D <sub>1</sub>	d <sub>e</sub>	d <sub>p</sub>	P. NUMBER	kg.	Z	D <sub>1</sub>	d <sub>e</sub>	d <sub>p</sub>	P. NUMBER	kg.	Z	D <sub>1</sub>	d <sub>e</sub>	d <sub>p</sub>	P. NUMBER	kg.	
8	6	24,0	20,90	20108008	0,01	45	12	118,0	114,69	20108045	0,32	8	6	24,00	20,90	20208008	0,010	45	14	118,00	114,69	20208045	0,600	
9	6	26,6	23,39	20108009	0,01	46	12	120,6	117,23	20108046	0,34	9	6	26,60	23,39	20208009	0,010	46	14	120,60	117,23	20208046	0,630	
10	8	29,2	25,89	20108010	0,02	47	12	123,1	119,77	20108047	0,35	10	8	29,20	25,89	20208010	0,020	47						
11	8	31,7	28,39	20108011	0,01	48	12	125,6	122,32	20108048	0,37	11	8	31,70	28,39	20208011	0,020	48	14	125,60	122,32	20208048	0,690	
12	8	34,2	30,91	20108012	0,02	50	12	130,7	127,41	20108050	0,40	12	8	34,20	30,91	20208012	0,030	50	14	130,70	127,41	20208050	0,750	
13	8	36,7	33,42	20108013	0,02	51	14	133,3	129,95	20108051	0,42	13	8	36,70	33,42	20208013	0,045	51						
14	8	39,2	35,95	20108014	0,02	52	14	135,8	132,49	20108052	0,43	14	8	39,20	35,95	20208014	0,050	52	16	135,80	132,49	20208052	0,810	
15	8	41,7	38,48	20108015	0,02	54	14	140,9	137,59	20108054	0,47	15	8	41,70	38,48	20208015	0,060	54	16	140,90	137,59	20208054	0,880	
16	8	44,3	41,01	20108016	0,03	55	14	143,5	140,13	20108055	0,49	16	10	44,30	41,01	20208016	0,070	55	16	143,50	140,13	20208055	0,920	
17	8	46,8	43,53	20108017	0,03	56	14	146,0	142,68	20108056	0,51	17	10	46,80	43,53	20208017	0,080	56	16	146,00	142,68	20208056	0,950	
18	8	49,3	46,07	20108018	0,04	57	14	148,6	145,22	20108057	0,53	18	10	49,30	46,07	20208018	0,090	57	16	148,60	145,22	20208057	0,990	
19	8	51,9	48,61	20108019	0,04	58	14	151,0	147,77	20108058	0,55	19	10	51,90	48,61	20208019	0,100	58						
20	8	54,4	51,14	20108020	0,05	59	14	153,6	150,31	20108059	0,57	20	10	54,40	51,14	20208020	0,110	59						
21	8	57,0	53,68	20108021	0,05	60	14	156,2	152,85	20108060	0,59	21	10	57,00	53,68	20208021	0,120	60	16	156,20	152,85	20208060	1,100	
22	8	59,5	56,21	20108022	0,06	62	16	162,0	157,95	20108062	0,63	22	10	59,50	56,21	20208022	0,140	62						
23	8	62,0	58,75	20108023	0,06	64	16	167,1	163,04	20108064	0,67	23	10	62,00	58,75	20208023	0,150	64	20	167,10	163,04	20208064	1,250	
24	8	64,6	61,29	20108024	0,07	65	16	169,6	165,58	20108065	0,69	24	10	64,60	61,29	20208024	0,170	65	20	169,60	165,58	20208065	1,300	
25	8	67,5	63,83	20108025	0,07	66	16	172,2	168,13	20108066	0,77	25	10	67,50	63,83	20208025	0,180	66						
26	10	69,5	66,37	20108026	0,08	70	16	182,4	178,31	20108070	0,81	26	12	69,50	66,37	20208026	0,200	70	20	182,40	178,31	20208070	1,510	
27	10	72,2	68,91	20108027	0,08	75	20	195,1	191,04	20108075	0,93	27	12	72,20	68,91	20208027	0,210	75						
28	10	74,8	71,45	20108028	0,09	76	20	197,7	193,59	20108076	0,94	28	12	74,80	71,45	20208028	0,230	76	20	197,70	193,59	20208076	1,800	
29	10	77,3	73,99	20108029	0,09	80	20	207,9	203,77	20108080	1,01	29	12	77,30	73,99	20208029	0,250	80	20	207,90	203,77	20208080	2,000	
30	10	79,8	76,53	20108030	0,10	85	20	220,6	216,50	20108085	1,20	30	12	79,80	76,53	20208030	0,270	85	20	220,60	216,50	20208085	2,600	
31	10	82,4	79,08	20108031	0,11	90	20	233,4	229,23	20108090	1,35	31	12	82,40	79,08	20208031	0,310	90						
32	10	84,9	81,61	20108032	0,13	95	20	246,1	241,96	20108095	1,51	32	12	84,90	81,61	20208032	0,330	95	20	246,10	241,96	20208095	2,900	
33	10	87,5	84,16	20108033	0,13	100	20	258,9	254,68	20108100	1,68	33	12	87,50	84,16	20208033	0,350	100						
34	10	90,0	86,70	20108034	0,14	114	20	294,5	290,33	20108114	2,20	34	12	90,00	86,70	20208034	0,350	114	20	294,50	290,33	20208114	4,150	
35	10	92,5	89,25	20108035	0,15	120	20	310,0	305,61	20108120	2,44	35	12	92,50	89,25	20208035	0,370	120						
36	10	95,0	91,79	20108036	0,15	125	20	322,5	318,34	20108125	2,65	36	12	95,00	91,79	20208036	0,370	125						
37	10	97,6	94,33	20108037	0,15							37												
38	10	100,2	96,88	20108038	0,16							38	12	100,20	96,88	20208038	0,420							
39	10	102,7	99,42	20108039	0,17							39	12	102,70	99,42	20208039	0,440							
40	10	105,3	101,97	20108040	0,20							40	12	105,30	101,97	20208040	0,470							
41	12	107,8	104,51	20108041	0,25							41												
42	12	110,4	107,05	20108042	0,27							42	14	110,40	107,05	20208042	0,520							
44	12	115,5	112,14	20108044	0,30							44	14	115,50	112,14	20208044	0,570							

From **Z.46** the width of the disk wheel increased to **h = 4mm**

MATERIAL **FE / C45**

Ask for specific needs.

CAD drawings available on our site  
[www.chiaravalli.com](http://www.chiaravalli.com)

Quantity, availability and prices  
on B2B Chiaravalli



# PLATEWHEELS



**PLATEWHEELS 3/8" x 7/32"**  
for roller chains in compliance  
with DIN 8187 - ISO/R 606

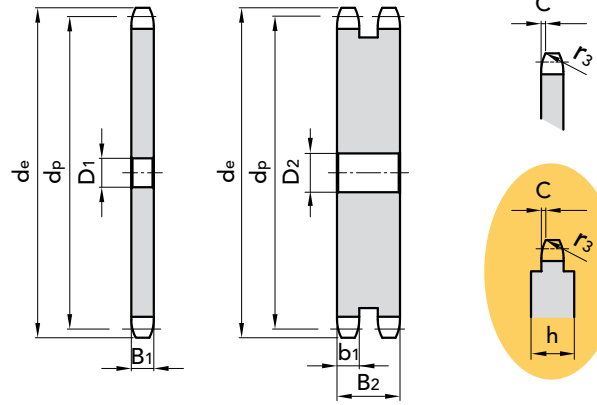
**3/8" x 7/32"**

## PLATEWHEEL

Tooth radius $r_3$	10	mm
Radius width $\bar{C}$	1	mm
Plate tooth width $B_1$	5,3	mm
Plate tooth width $b_1$	5,2	mm
Plate tooth width $B_2$	15,4	mm
Plate tooth width $B_3$	25,6	mm

## CHAIN

Pitch	9,525	mm
Inner width	5,72	mm
Roller $\varnothing$	6,35	mm



## SIMPLE

Z	D <sub>1</sub>	d <sub>e</sub>	d <sub>p</sub>	P. NUMBER	kg.
8	6	28,54	24,89	20109008	0,01
9	7	31,50	27,85	20109009	0,01
10	7	34,47	30,82	20109010	0,01
11	8	37,46	33,81	20109011	0,02
12	8	40,45	36,80	20109012	0,02
13	8	43,45	39,80	20109013	0,02
14	8	46,45	42,80	20109014	0,02
15	8	49,46	45,81	20109015	0,02
16	10	52,47	48,82	20109016	0,02
17	10	55,49	51,84	20109017	0,3
18	10	58,50	54,85	20109018	0,03
19	10	61,52	57,87	20109019	0,03
20	10	64,54	60,89	20109020	0,04
21	10	67,56	63,91	20109021	0,04
22	10	70,58	66,93	20109022	0,05
23	10	73,60	69,95	20109023	0,06
24	10	76,62	72,97	20109024	0,07
25	10	79,65	76,00	20109025	0,07
26	10	82,67	79,02	20109026	0,08
27	10	85,70	82,05	20109027	0,09
28	10	88,72	85,07	20109028	0,09
29	10	91,75	88,10	20109029	0,09
30	10	94,77	91,12	20109030	0,1
31	12	97,80	94,15	20109031	0,1
32	12	100,83	97,18	20109032	0,1
33	12	103,85	100,20	20109033	0,12
34	12	106,88	103,23	20109034	0,12
35	12	109,91	106,26	20109035	0,14
36	12	112,94	109,29	20109036	0,14
37	12	115,97	112,32	20109037	0,14
38	12	118,99	115,34	20109038	0,15
39	12	122,02	118,37	20109039	0,16
40	12	125,05	121,40	20109040	0,17
41	16	128,08	124,43	20109041	0,18
42	16	131,11	127,46	20109042	0,2
43	16	134,14	130,49	20109043	0,3

## DOUBLE

Z	D <sub>1</sub>	d <sub>e</sub>	d <sub>p</sub>	P. NUMBER	kg.
8	6	28,00	24,89	20209008	0,03
9	8	31,00	27,85	20209009	0,04
10	8	34,00	30,82	20209010	0,05
11	10	37,00	33,80	20209011	0,06
12	10	40,00	36,80	20209012	0,08
13	10	43,00	39,79	20209013	0,10
14	10	46,30	42,80	20209014	0,12
15	10	49,30	45,81	20209015	0,14
16	12	52,30	48,82	20209016	0,16
17	12	55,30	51,83	20209017	0,19
18	12	58,30	54,85	20209018	0,21
19	12	61,30	57,87	20209019	0,24
20	12	64,30	60,89	20209020	0,27
21	12	68,00	63,91	20209021	0,30
22	12	71,00	66,93	20209022	0,34
23	12	73,50	69,95	20209023	0,37
24	12	77,00	72,97	20209024	0,41
25	12	80,00	76,02	20209025	0,45
26	12	83,00	79,02	20209026	0,48
27	12	86,00	82,02	20209027	0,53
28	12	89,00	85,07	20209028	0,57
29	12	92,00	88,09	20209029	0,62
30	12	94,70	91,12	20209030	0,66
31	14	98,30	94,15	20209031	0,71
32	14	101,30	97,17	20209032	0,77
33	14	104,30	100,20	20209033	0,82
34	14	107,30	103,23	20209034	0,87
35	14	110,40	106,26	20209035	0,93
36	14	113,40	109,29	20209036	0,99
37	14	116,40	112,32	20209037	1,05
38	14	119,50	115,35	20209038	1,11
39	14	122,50	118,37	20209039	1,18
40	14	125,50	121,40	20209040	1,24
41	16	128,50	124,43	20209041	1,30
42	16	131,60	127,46	20209042	1,36
43	16	134,60	130,49	20209043	1,44

From Z.100 the width of the disk  
wheel increased to  $h = 7\text{mm}$

MATERIAL **FE / C45**

Ask for specific needs.

CAD drawings available on our site  
[www.chiaravalli.com](http://www.chiaravalli.com)

Quantity, availability and prices  
on B2B Chiaravalli







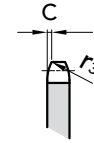
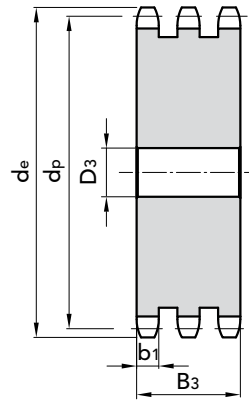
## 3/8" x 7/32"

### PLATEWHEEL

Tooth radius $r_3$	10	mm
Radius width $\bar{C}$	1	mm
Plate tooth width $B_1$	5,3	mm
Plate tooth width $b_1$	5,2	mm
Plate tooth width $B_2$	15,4	mm
Plate tooth width $B_3$	25,6	mm

### CHAIN

Pitch	9,525	mm
Inner width	5,72	mm
Roller $\varnothing$	6,35	mm



**PLATEWHEELS 3/8" x 7/32"**  
for roller chains in compliance  
with DIN 8187 - ISO/R 606

### TRIPLE

Z	D <sub>1</sub>	d <sub>e</sub>	d <sub>p</sub>	P. NUMBER	kg.	Z	D <sub>1</sub>	d <sub>e</sub>	d <sub>p</sub>	P. NUMBER	kg.
8	6	28,0	24,89	20309008	0,040	44	16	137,6	133,52	20309044	2,500
9	8	31,0	27,85	20309009	0,060	45	16	140,7	136,55	20309045	2,460
10	10	34,0	30,82	20309010	0,070	46	16	143,7	139,58	20309046	2,750
11	10	37,0	33,80	20309011	0,090	47	16	146,7	142,61	20309047	2,880
12	10	40,0	36,80	20309012	0,122	48	16	149,7	145,64	20309048	3,010
13	10	43,0	39,79	20309013	0,150	49					
14	12	46,3	42,80	20309014	0,186	50	16	155,7	151,69	20309050	3,300
15	12	49,3	45,81	20309015	0,260	51	20	158,7	154,72	20309051	3,430
16	12	52,3	48,82	20309016	0,260	52	20	161,8	157,75	20309052	3,570
17	12	55,3	51,83	20309017	0,340	53					
18	12	58,3	54,85	20309018	0,345	54					
19	12	61,3	57,87	20309019	0,396	55					
20	12	64,3	60,89	20309020	0,445	56	20	173,8	169,88	20309056	4,140
21	14	68,0	63,91	20309021	0,480	57	20	176,9	172,91	20309057	4,300
22	14	71,0	66,93	20309022	0,540	58	20	179,9	175,93	20309058	4,460
23	14	73,5	69,95	20309023	0,600	60	20	186,0	181,99	20309060	4,800
24	14	77,0	72,97	20309024	0,660	62					
25	14	80,0	76,02	20309025	0,730	64	20	198,2	194,12	20309064	5,500
26	14	83,0	79,02	20309026	0,795	65	20	201,6	197,15	20309065	5,670
27	14	86,0	82,02	20309027	0,865	66	25	204,6	200,18	20309066	5,660
28	14	89,0	85,07	20309028	0,940	68					
29	14	92,0	88,09	20309029	1,010	70	25	216,7	212,30	20309070	6,630
30	14	94,7	91,12	20309030	1,090	72	25	222,8	218,37	20309072	7,030
31	16	98,3	94,15	20309031	1,180	75					
32	16	101,3	97,17	20309032	1,260	76	25	234,9	230,49	20309076	7,870
33	16	104,3	100,20	20309033	1,350	78					
34	16	107,3	103,23	20309034	1,440	80	25	247,1	242,61	20309080	8,760
35	16	110,4	106,26	20309035	1,540	85	25	262,2	257,77	20309085	9,930
36	16	113,4	109,20	20309036	1,620	90	25	277,4	272,93	20309090	11,17
37						95	25	292,5	288,08	20309095	12,49
38	16	119,5	115,35	20309038	1,800	100	25	307,7	303,25	20309100	13,89
39						110	25	338,0	333,55	20309110	16,89
40	16	125,5	121,40	20309040	2,030	114	25	349,5	345,68	20309114	18,17
41	20	128,5	124,43	20309041	2,150	120	25	368,3	363,86	20309120	20,18
42	16	131,6	127,46	20309042	2,260	125	25	383,5	379,02	20309125	21,94
43	16	134,6	130,49	20309043	2,380						

MATERIAL **FE / C45**

Ask for specific needs.

CAD drawings available on our site  
[www.chiaravalli.com](http://www.chiaravalli.com)

Quantity, availability and prices  
on B2B Chiaravalli

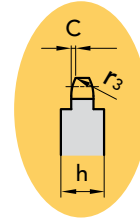
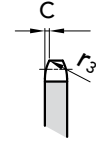
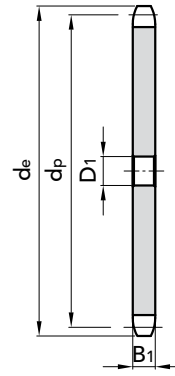



**1/2" x 1/8"**
**PLATEWHEEL**

Tooth radius $r_3$	13	mm
Radius width $C$	1,0	mm
Plate tooth width $B_1$	3	mm

**CHAIN**

Pitch	12,7	mm
Inner width	3,3	mm
Roller $\varnothing$	7,75	mm


**SIMPLE**

Z	D <sub>1</sub>	d <sub>e</sub>	d <sub>p</sub>	P. NUMBER	kg.	Z	D <sub>1</sub>	d <sub>e</sub>	d <sub>p</sub>	P. NUMBER	kg.
8	8	37,2	33,18	20110008	0,02	48	20	199,7	194,18	20110048	0,94
9	8	41,5	37,13	20110009	0,02	50	20	207,8	202,26	20110050	1,06
10	8	46,2	41,10	20110010	0,02	52	20	215,9	210,34	20110052	1,14
11	8	49,6	45,07	20110011	0,03	54	20	224,0	218,43	20110054	1,19
12	8	53,9	49,07	20110012	0,04	55	20	228,0	222,46	20110055	1,25
13	8	58,4	53,06	20110013	0,04	56	20	232,1	226,50	20110056	1,30
14	8	62,8	57,07	20110014	0,05	57	20	236,1	230,54	20110057	1,35
15	8	66,8	61,09	20110015	0,06	58	20	240,2	234,58	20110058	1,45
16	10	70,9	65,10	20110016	0,07	60	20	248,2	242,66	20110060	1,50
17	10	74,9	69,11	20110017	0,08	65	20	268,8	262,86	20110065	1,61
18	10	78,9	73,14	20110018	0,09	66	25	272,9	268,90	20110066	1,79
19	10	82,9	77,16	20110019	0,10	68	25	280,9	274,99	20110068	1,87
20	10	86,9	81,19	20110020	0,11	70	25	289,0	283,07	20110070	2,05
21	10	91,0	85,22	20110021	0,11	76	25	313,3	307,33	20110076	2,19
22	10	95,0	89,24	20110022	0,13	80	25	329,4	323,48	20110080	2,42
23	10	99,0	93,27	20110023	0,15	90	25	369,9	363,90	20110090	4,53
24	10	103,0	97,29	20110024	0,16	95	25	390,1	384,10	20110095	5,00
25	10	107,1	101,33	20110025	0,17	100	25	410,3	404,31	20110100	5,61
26	12	111,2	105,36	20110026	0,26	114	25	466,9	460,90	20110114	7,42
27	12	115,4	109,40	20110027	0,28	120	25	491,2	486,16	20110120	8,00
28	12	119,4	113,42	20110028	0,32						
29	12	123,4	117,46	20110029	0,33						
30	12	127,5	121,50	20110030	0,35						
32	12	135,5	129,56	20110032	0,40						
33	12	139,6	133,60	20110033	0,43						
34	12	143,6	137,64	20110034	0,46						
35	12	147,6	141,68	20110035	0,49						
36	16	151,7	145,72	20110036	0,51						
37	16	155,7	149,76	20110037	0,55						
38	16	159,8	153,80	20110038	0,58						
39	16	163,8	157,83	20110039	0,61						
40	16	167,8	161,87	20110040	0,64						
42	16	175,4	169,95	20110042	0,69						
44	16	183,5	178,03	20110044	0,79						
45	16	187,5	182,07	20110045	0,82						
46	20	191,6	186,10	20110046	0,88						

From Z.30 the width of the disk wheel increased to  $h = 4\text{mm}$

From Z.90 the width of the disk wheel increased to  $h = 6\text{mm}$

CAD drawings available on our site  
[www.chiaravalli.com](http://www.chiaravalli.com)

Quantity, availability and prices  
 on B2B Chiaravalli





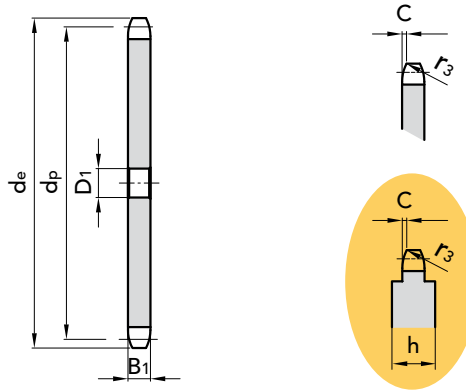
**1/2" x 3/16"**

**PLATEWHEEL**

Tooth radius $r_3$	13 mm
Radius width $C$	1,3 mm
Plate tooth width $B_1$	$4,3^{\pm 0,2}$ mm

**CHAIN**

Pitch	12,7 mm
Inner width	4,88 mm
Roller $\varnothing$	7,75 mm



**SIMPLE**

Z	D <sub>1</sub>	d <sub>e</sub>	d <sub>p</sub>	P. NUMBER	kg.	Z	D <sub>1</sub>	d <sub>e</sub>	d <sub>p</sub>	P. NUMBER	kg.
8	8	38,5	33,18	20111008	0,02	44	16	183,5	178,03	20111044	0,83
9	8	41,5	37,13	20111009	0,03	45	16	187,5	182,07	20111045	0,87
10	8	46,2	41,10	20111010	0,04	46	20	191,6	186,10	20111046	0,91
11	8	49,6	45,07	20111011	0,05	47	20	195,6	190,14	20111047	0,95
12	8	53,9	49,07	20111012	0,05	48	20	199,7	194,18	20111048	0,99
13	8	58,4	53,06	20111013	0,06	49	20	203,7	198,22	20111049	1,04
14	8	62,8	57,07	20111014	0,08	50	20	207,8	202,26	20111050	1,08
15	8	66,8	61,09	20111015	0,09	51	20	211,8	206,30	20111051	1,12
16	10	70,9	65,10	20111016	0,10	52	20	215,9	210,34	20111052	1,17
17	10	74,9	69,11	20111017	0,12	53	20	219,9	214,37	20111053	1,22
18	10	78,9	73,14	20111018	0,13	54	20	224,0	218,43	20111054	1,26
19	10	82,9	77,16	20111019	0,15	55	20	228,0	222,46	20111055	1,31
20	10	86,9	81,19	20111020	0,16	56	20	232,1	226,50	20111056	1,36
21	10	91,0	85,22	20111021	0,18	57	20	236,1	230,54	20111057	1,41
22	10	95,0	89,24	20111022	0,20	58	20	240,2	234,58	20111058	1,46
23	10	99,0	93,27	20111023	0,22	60	20	248,2	242,66	20111060	1,57
24	10	103,0	97,29	20111024	0,24	62	20	256,7	250,75	20111062	1,68
25	10	107,1	101,33	20111025	0,26	64	20	264,8	258,82	20111064	1,80
26	12	111,2	105,36	20111026	0,28	65	20	268,8	262,86	20111065	1,85
27	12	115,4	109,40	20111027	0,30	66	25	272,9	266,90	20111066	1,94
28	12	119,4	113,42	20111028	0,33	68	25	280,9	274,99	20111068	2,02
29	12	123,4	117,46	20111029	0,35	70	25	289,0	283,07	20111070	2,14
30	12	127,5	121,50	20111030	0,38	72	25	297,1	291,16	20111072	2,27
31	12	131,5	125,54	20111031	0,40	76	25	313,3	307,33	20111076	2,54
32	12	135,5	129,56	20111032	0,43	78	25	321,4	315,40	20111078	2,68
33	12	139,6	133,60	20111033	0,46	80					
34	12	143,6	137,64	20111034	0,49	85	25	349,7	343,70	20111085	3,19
35	12	147,6	141,68	20111035	0,52	90	25	369,9	363,90	20111090	3,86
36	16	151,7	145,72	20111036	0,55	95	25	390,1	384,10	20111095	4,95
37	16	155,7	149,76	20111037	0,58	100	25	410,3	404,31	20111100	5,83
38	16	159,8	153,80	20111038	0,62	110	25	450,7	444,74	20111110	7,07
39	16	163,8	157,83	20111039	0,65	114	25	466,9	460,90	20111114	7,61
40	16	167,8	161,87	20111040	0,68	120	25	491,2	485,16	20111120	8,50
41	16	171,4	165,91	20111041	0,72	125	25	511,4	505,37	20111125	9,17
42	16	175,4	169,95	20111042	0,76						
43	16	179,5	173,99	20111043	0,80						

PLATEWHEELS 1/2" x 3/16" for roller chains in compliance with DIN 8187 - ISO/R 606

From Z.90 the width of the disk wheel increased to  $h = 6\text{mm}$

MATERIAL **FE / C45**

Ask for specific needs.

CAD drawings available on our site  
[www.chiaravalli.com](http://www.chiaravalli.com)

Quantity, availability and prices  
on B2B Chiaravalli

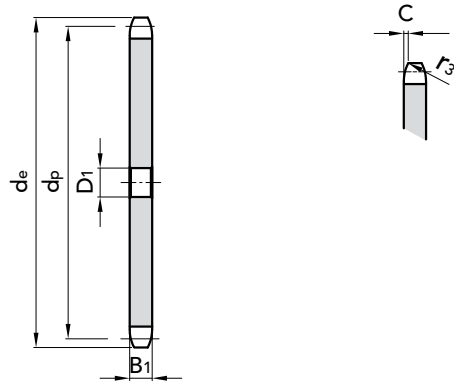



**1/2" x 1/4" roller 7.75**
**PLATEWHEEL**

Tooth radius $r_3$	13	mm
Radius width $\bar{C}$	1,3	mm
Plate tooth width $B_1$	5,9	mm

**CHAIN**

Pitch	12,7	mm
Inner width	6,4	mm
Roller $\varnothing$	7,75	mm


**SIMPLE**

Z	D <sub>1</sub>	d <sub>e</sub>	d <sub>p</sub>	P. NUMBER	kg.	Z	D <sub>1</sub>	d <sub>e</sub>	d <sub>p</sub>	P. NUMBER	kg.
8	8	38,5	33,18	20113008	0,030	44	16	183,5	178,03	20113044	1,090
9	8	41,5	37,13	20113009	0,038	45	16	187,5	182,07	20113045	1,150
10	8	46,2	41,10	20113010	0,040	46	20	191,6	186,10	20113046	1,170
11	8	49,6	45,07	20113011	0,059	47	20	195,6	190,14	20113047	1,270
12	8	53,9	49,07	20113012	0,072	48	20	199,7	194,18	20113048	1,380
13	8	58,4	53,06	20113013	0,100	49	20	203,7	198,22	20113049	1,390
14	8	62,8	57,07	20113014	0,100	50	20	207,8	202,26	20113050	1,440
15	8	66,8	61,09	20113015	0,115	52	20	215,9	210,34	20113052	1,620
16	10	70,9	65,10	20113016	0,120	54	20	224,0	218,43	20113054	1,710
17	10	74,9	69,11	20113017	0,150	56	20	232,1	226,50	20113056	1,750
18	10	78,9	73,14	20113018	0,190	57	20	236,1	230,54	20113057	1,850
19	10	82,9	77,16	20113019	0,210	58					
20	10	86,9	81,19	20113020	0,220	60	20	248,2	242,66	20113060	2,120
21	10	91,0	85,22	20113021	0,240	62	20	256,7	250,75	20113062	2,310
22	10	95,0	89,24	20113022	0,240	65	20	268,8	262,86	20113065	2,420
23	10	99,0	93,27	20113023	0,250	70	25	289,0	283,07	20113070	2,950
24	10	103,0	97,29	20113024	0,310	76	25	313,3	307,33	20113076	3,480
25	10	107,1	101,33	20113025	0,310	80	25	329,4	323,48	20113080	3,700
26	12	111,2	105,36	20113026	0,390	85	25	349,7	343,70	20113085	4,370
27	12	115,4	109,40	20113027	0,430	95	25	390,1	384,10	20113095	5,470
28	12	119,4	113,42	20113028	0,440	100	25	410,3	404,31	20113100	5,710
29						110	25	450,7	444,74	20113110	6,000
30	12	127,5	121,50	20113030	0,480	114	25	466,9	460,90	20113114	6,540
31	12	131,5	125,54	20113031	0,560	120					
32	12	135,5	129,56	20113032	0,570	125					
33	12	139,6	133,60	20113033	0,620						
34	12	143,6	137,64	20113034	0,660						
35	12	147,6	141,68	20113035	0,680						
36	16	151,7	145,72	20113036	0,810						
37	16	155,7	149,76	20113037	0,910						
38	16	159,8	153,80	20113038	0,950						
39	16	163,8	157,83	20113039	0,950						
40	16	167,8	161,87	20113040	0,980						
41	16	171,4	165,91	20113041	0,980						
42	16	175,4	169,95	20113042	0,990						
43	16	179,5	173,99	20113043	1,030						

 MATERIAL **FE / C45**

Ask for specific needs.

 CAD drawings available on our site  
[www.chiaravalli.com](http://www.chiaravalli.com)

 Quantity, availability and prices  
 on B2B Chiaravalli



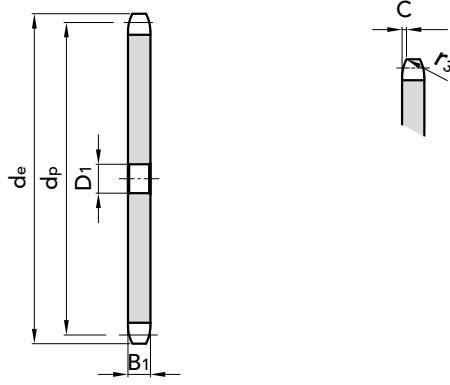

## 1/2" x 1/4" roller 8.51

### PLATEWHEEL

Tooth radius $r_3$	13	mm
Radius width $\check{C}$	1,3	mm
Plate tooth width $B_1$	5,9	mm

### CHAIN

Pitch	12,7	mm
Inner width	6,4	mm
Roller $\varnothing$	8,51	mm



### SIMPLE

Z	D <sub>1</sub>	d <sub>e</sub>	d <sub>p</sub>	P. NUMBER	kg.	Z	D <sub>1</sub>	d <sub>e</sub>	d <sub>p</sub>	P. NUMBER	kg.
8	8	37,2	33,18	20114008	0,020	44					
9	8	41,0	37,13	20114009	0,030	45	16	188,0	182,07	20114045	1,150
10						46					
11	8	48,7	45,07	20114011	0,060	47	20	196,2	190,14	20114047	1,300
12	8	53,0	49,07	20114012	0,080	48					
13	8	57,4	53,06	20114013	0,090	49					
14	8	61,8	57,07	20114014	0,100	50	20	208,3	202,26	20114050	1,410
15						52					
16	10	69,5	65,10	20114016	0,140	54	20	224,1	218,43	20114054	1,720
17	10	73,6	69,11	20114017	0,148	56					
18	10	77,8	73,14	20114018	0,157	57	20	236,4	230,54	20114057	1,930
19	10	81,7	77,16	20114019	0,195	58					
20	10	85,8	81,19	20114020	0,200	60					
21						62	20	256,9	250,75	20114062	2,170
22						65	20	269,0	262,86	20114065	2,370
23	10	98,2	93,27	20114023	0,290	70					
24	10	101,8	97,29	20114024	0,310	76	25	313,3	307,33	20114076	3,310
25	10	105,8	101,33	20114025	0,330	80	25	329,4	323,48	20114080	3,830
26	12	110,0	105,36	20114026	0,360	85					
27	12	114,0	109,40	20114027	0,390	95					
28	12	118,0	113,42	20114028	0,420	100					
29	12	122,0	117,46	20114029	0,480	110	25	450,7	444,74	20114110	9,50
30	12	126,1	121,50	20114030	0,490	114					
31	12	130,2	125,54	20114031	0,550	120					
32	12	134,2	129,56	20114032	0,560	125					
33											
34											
35	12	146,7	141,68	20114035	0,700						
36											
37	16	154,6	149,76	20114037	0,790						
38	16	158,6	153,80	20114038	0,800						
39	16	162,7	157,83	20114039	0,880						
40	16	166,8	161,87	20114040	0,900						
41	16	171,4	165,91	20114041	0,920						
42	16	175,4	169,95	20114042	1,030						
43	16	179,7	173,99	20114043	1,080						

MATERIAL **FE / C45**

Ask for specific needs.

CAD drawings available on our site  
[www.chiaravalli.com](http://www.chiaravalli.com)

Quantity, availability and prices  
 on B2B Chiaravalli



PLATEWHEELS 1/2" x 1/4" roller 8.51 for roller chains in compliance with DIN 8187 - ISO/R 606





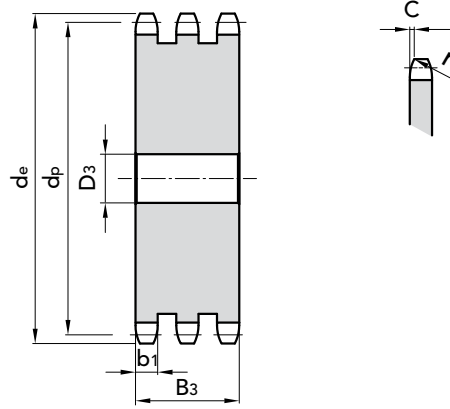
1/2" x 5/16"

**PLATEWHEEL**

Tooth radius $r_3$	13	mm
Radius width $C$	1,3	mm
Plate tooth width $B_1$	7,2	mm
Plate tooth width $b_1$	7	mm
Plate tooth width $B_2$	21	mm
Plate tooth width $B_3$	34,9	mm

**CHAIN**

Pitch	12,7	mm
Inner width	7,75	mm
Roller $\varnothing$	8,51	mm



**PLATEWHEELS 1/2" x 5/16"**  
for roller chains in compliance  
with DIN 8187 - ISO/R 606

**TRIPLE**

Z	D <sub>1</sub>	d <sub>e</sub>	d <sub>p</sub>	P. NUMBER	kg.	Z	D <sub>1</sub>	d <sub>e</sub>	d <sub>p</sub>	P. NUMBER	kg.
8	10	37,2	33,18	20312008	0,11	44	25	183,8	178,03	20312044	6,09
9	12	41,0	37,13	20312009	0,16	45	25	188,0	182,07	20312045	6,39
10	12	45,2	41,10	20312010	0,21	46	25	192,1	186,10	20312046	6,70
11	14	48,7	45,07	20312011	0,26	47	25	198,2	190,14	20312047	7,00
12	14	53,0	49,07	20312012	0,33	48	25	200,3	194,18	20312048	7,33
13	14	57,4	53,06	20312013	0,40	49	25	204,3	198,22	20312049	7,84
14	14	61,8	57,07	20312014	0,48	50	25	208,3	202,26	20312050	8,00
15	14	65,5	61,09	20312015	0,57	51					
16	16	69,5	65,10	20312016	0,64	52	25	216,1	210,34	20312052	8,68
17	16	73,6	69,11	20312017	0,74	53	25	220,2	214,37	20312053	9,02
18	16	77,8	73,14	20312018	0,85	54	25	224,1	218,43	20312054	9,40
19	16	81,7	77,16	20312019	0,97	55	25	228,1	222,46	20312055	9,77
20	16	85,8	81,19	20312020	1,09	56	25	232,2	226,50	20312056	10,15
21	20	89,7	85,22	20312021	1,22	57	25	236,4	230,54	20312057	10,53
22	20	93,8	89,24	20312022	1,36	58					
23	20	98,2	93,27	20312023	1,50	60	25	248,6	242,66	20312060	11,73
24	20	101,8	97,29	20312024	1,63	62	25	256,9	250,75	20312062	13,86
25	20	105,8	101,33	20312025	1,81	64	25	265,1	258,82	20312064	15,22
26	20	110,0	105,36	20312026	1,98	65	25	269,0	262,86	20312065	15,56
27	20	114,0	109,40	20312027	2,15	66					
28	20	118,0	113,42	20312028	2,33	68	25	281,0	274,99	20312068	15,72
29	20	122,0	117,46	20312029	2,52	70	25	289,0	283,07	20312070	16,17
30	20	126,1	121,50	20312030	2,71	72	25	297,2	291,16	20312072	17,14
31	20	130,2	125,54	20312031	2,94	75	25	309,2	303,27	20312075	18,65
32	20	134,3	129,56	20312032	3,09	76	25	313,3	307,33	20312076	19,17
33	20	138,4	133,60	20312033	3,30	78					
34	20	142,6	137,64	20312034	3,53	80	25	329,4	323,48	20312080	21,82
35	20	146,7	141,68	20312035	3,76	85	25	349,0	343,70	20312085	24,15
36	25	151,0	145,72	20312036	3,99	90	25	369,9	363,90	20312090	27,17
37						95	25	390,1	384,11	20312095	30,36
38	25	158,6	153,80	20312038	4,49	100	25	410,3	404,32	20312100	33,73
39						110					
40	25	166,8	161,87	20312040	5,00	114	25	466,9	460,90	20312114	44,10
41						120	25	491,2	485,16	20312120	49,70
42	25	175,4	169,95	20312042	5,51	125	25	511,3	505,37	20312125	55,21
43	25	179,7	173,99	20312043	5,80						

MATERIAL **FE / C45**

Ask for specific needs.

CAD drawings available on our site  
[www.chiaravalli.com](http://www.chiaravalli.com)

Quantity, availability and prices  
on B2B Chiaravalli









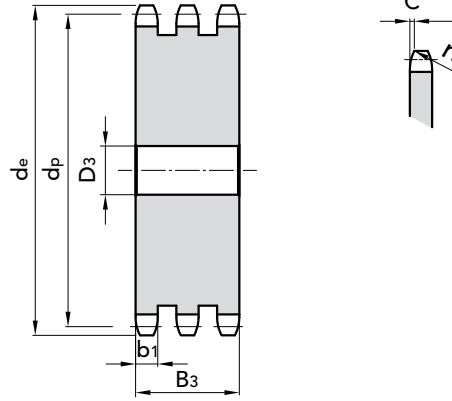
5/8" x 3/8"

**PLATEWHEEL**

Tooth radius $r_3$	16	mm
Radius width $C$	1,6	mm
Plate tooth width $B_1$	9,1	mm
Plate tooth width $b_1$	9	mm
Plate tooth width $B_2$	25,5	mm
Plate tooth width $B_3$	42,1	mm

**CHAIN**

Pitch	15,875	mm
Inner width	9,65	mm
Roller $\varnothing$	10,16	mm



**PLATEWHEELS 5/8" x 3/8"**  
for roller chains in compliance  
with DIN 8187 - ISO/R 606

**TRIPLE**

Z	D <sub>1</sub>	d <sub>e</sub>	d <sub>p</sub>	P. NUMBER	kg.	Z	D <sub>1</sub>	d <sub>e</sub>	d <sub>p</sub>	P. NUMBER	kg.
8	12	47,0	41,48	20315008	0,23	44	25	230,0	222,53	20315044	11,67
9	12	52,6	46,42	20315009	0,32	45	25	235,0	227,58	20315045	12,24
10	16	57,5	51,37	20315010	0,44	46	25	240,1	232,63	20315046	12,82
11	16	63,0	56,34	20315011	0,55	47	25	245,1	237,68	20315047	13,10
12	16	68,0	61,34	20315012	0,67	48	25	250,2	242,73	20315048	14,01
13	16	73,0	66,32	20315013	0,81	49	25	255,2	247,78	20315049	14,86
14	16	78,0	71,34	20315014	0,97	50	25	260,3	252,82	20315050	15,26
15	16	83,0	76,36	20315015	1,14	51					
16	16	88,0	81,37	20315016	1,29	52	25	270,4	262,92	20315052	16,57
17	16	93,0	86,38	20315017	1,49	53	25	275,4	267,97	20315053	17,20
18	16	98,3	91,42	20315018	1,70	54					
19	16	103,3	96,45	20315019	1,92	55	25	285,5	278,08	20315055	18,62
20	16	108,4	101,49	20315020	2,15	56					
21	20	113,4	106,52	20315021	2,40	57	25	296,0	288,18	20315057	20,06
22	20	118,0	111,55	20315022	2,66	58					
23	20	123,5	116,58	20315023	2,94	60	25	310,8	303,32	20315060	22,31
24	20	128,3	121,62	20315024	3,23	62					
25	20	134,0	126,66	20315025	3,53	64	30	331,5	323,53	20315064	25,43
26	20	139,0	131,70	20315026	3,81	65	30	336,5	328,58	20315065	26,26
27	20	144,0	136,75	20315027	4,13	68	30	351,7	343,74	20315068	28,59
28	20	148,7	141,78	20315028	4,47	70	30	361,8	353,84	20315070	30,61
29	20	153,8	146,83	20315029	4,83	72	30	371,9	363,95	20315072	30,54
30	20	158,8	151,87	20315030	5,20	75	30	387,1	379,09	20315075	30,35
31	20	163,9	156,92	20315031	5,42	76	30	392,1	384,16	20315076	36,27
32	20	168,9	161,95	20315032	5,97	78					
33	20	174,5	167,00	20315033	6,38	80	30	412,3	404,35	20315080	40,30
34	20	179,0	172,05	20315034	6,80	85	30	437,6	429,62	20315085	45,60
35	20	184,1	177,10	20315035	7,23	90	30	462,8	454,88	20315090	51,32
36	25	189,1	182,15	20315036	7,62	95	30	488,5	480,14	20315095	57,32
37	25	194,2	187,20	20315037	8,08	100	30	513,4	505,39	20315100	63,60
38	25	199,2	192,24	20315038	8,55	110	30	563,9	555,92	20315110	77,27
39	25	204,2	197,29	20315039	9,04	114	30	584,1	576,13	20315114	83,15
40	25	209,3	202,34	20315040	9,54	120					
41	25	214,8	207,39	20315041	10,05	125	30	639,7	631,51	20315125	99,50
42	25	219,9	212,44	20315042	10,58						
43	25	224,9	217,49	20315043	10,98						

MATERIAL **FE / C45**

Ask for specific needs.

CAD drawings available on our site  
[www.chiaravalli.com](http://www.chiaravalli.com)

Quantity, availability and prices  
on B2B Chiaravalli





**PLATEWHEELS 3/4" x 7/16"**  
for roller chains in compliance  
with DIN 8187 - ISO/R 606

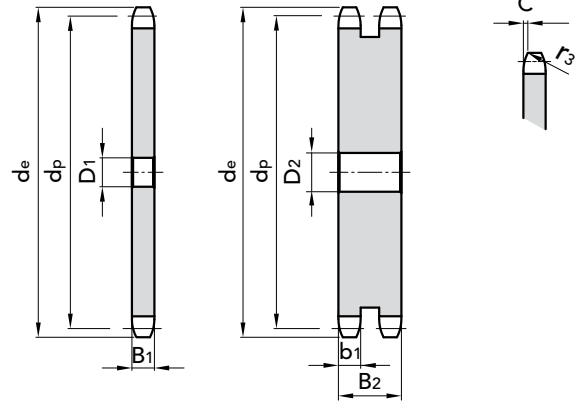
## 3/4" x 7/16"

### PLATEWHEEL

Tooth radius $r_3$	19	mm
Radius width $\bar{C}$	2	mm
Plate tooth width $B_1$	11,1	mm
Plate tooth width $b_1$	10,8	mm
Plate tooth width $B_2$	30,3	mm
Plate tooth width $B_3$	49,8	mm

### CHAIN

Pitch	19,05	mm
Inner width	11,68	mm
Roller $\varnothing$	12,07	mm



### SIMPLE

Z	D <sub>1</sub>	d <sub>e</sub>	d <sub>p</sub>	P. NUMBER	kg.
8	12	57,31	49,78	20119008	0,12
9	12	63,23	55,70	20119009	0,15
10	12	69,18	61,65	20119010	0,20
11	14	75,15	67,62	20119011	0,24
12	14	81,13	73,60	20119012	0,30
13	14	87,13	79,60	20119013	0,35
14	14	93,14	85,61	20119014	0,41
15	14	99,16	91,63	20119015	0,48
16	14	105,18	97,65	20119016	0,55
17	14	111,20	103,67	20119017	0,63
18	14	117,23	109,70	20119018	0,71
19	14	123,27	115,74	20119019	0,80
20	14	129,31	121,78	20119020	0,89
21	16	135,35	127,82	20119021	0,99
22	16	141,39	133,86	20119022	1,03
23	16	147,43	139,90	20119023	1,20
24	16	153,48	145,95	20119024	1,31
25	16	159,52	151,99	20119025	1,43
26	16	165,57	158,04	20119026	1,56
27	16	171,62	164,09	20119027	1,68
28	16	177,67	170,14	20119028	1,82
29	16	183,72	176,19	20119029	1,96
30	16	189,78	182,25	20119030	2,10
31	20	195,83	188,30	20119031	2,24
32	20	201,88	194,35	20119032	2,39
33	20	207,94	200,41	20119033	2,55
34	20	213,99	206,46	20119034	2,71
35	20	220,05	212,52	20119035	2,88
36	20	226,10	218,57	20119036	3,06
37	20	232,16	224,63	20119037	3,24
38	20	238,22	230,69	20119038	3,42
39	20	244,27	236,74	20119039	3,61
40	20	250,33	242,80	20119040	3,80
41	25	256,39	248,86	20119041	3,98
42	25	262,45	254,92	20119042	4,19
43	25	268,51	260,98	20119043	4,38

### DOUBLE

Z	D <sub>1</sub>	d <sub>e</sub>	d <sub>p</sub>	P. NUMBER	kg.
8	12	57,31	49,78	20219008	0,26
9	12	62,23	55,70	20219009	0,36
10	12	69,18	61,65	20219010	0,46
11	16	75,15	67,62	20219011	0,59
12	16	81,13	73,60	20219012	0,72
13	16	87,13	79,60	20219013	0,88
14	16	93,14	85,61	20219014	1,02
15	16	99,16	91,63	20219015	1,20
16	20	105,18	97,65	20219016	1,39
17	20	111,20	103,67	20219017	1,60
18	20	117,23	109,70	20219018	1,81
19	20	123,27	115,74	20219019	2,05
20	20	129,31	121,78	20219020	2,30
21	20	135,35	127,82	20219021	2,53
22	20	141,39	133,86	20219022	2,80
23	20	147,43	139,90	20219023	3,09
24	20	153,48	145,95	20219024	3,39
25	20	159,52	151,99	20219025	3,70
26	20	165,57	158,04	20219026	4,03
27	20	171,62	164,09	20219027	4,38
28	20	177,67	170,14	20219028	4,73
29	20	183,72	176,19	20219029	5,10
30	20	189,78	182,25	20219030	5,49
31	20	195,83	188,30	20219031	5,88
32	20	201,88	194,35	20219032	6,30
33	20	207,94	200,41	20219033	6,72
34	20	213,99	206,46	20219034	7,16
35	20	220,05	212,52	20219035	7,61
36	25	226,10	218,57	20219036	7,99
37	25	232,16	224,63	20219037	8,47
38	25	238,22	230,69	20219038	8,96
39	25	244,27	236,74	20219039	9,50
40	25	250,33	242,80	20219040	9,99
41	25	256,39	248,86	20219041	10,51
42	25	262,45	254,92	20219042	11,07
43	25	268,51	260,98	20219043	11,63

MATERIAL **FE / C45**

Ask for specific needs.

CAD drawings available on our site  
[www.chiaravalli.com](http://www.chiaravalli.com)

Quantity, availability and prices  
on B2B Chiaravalli





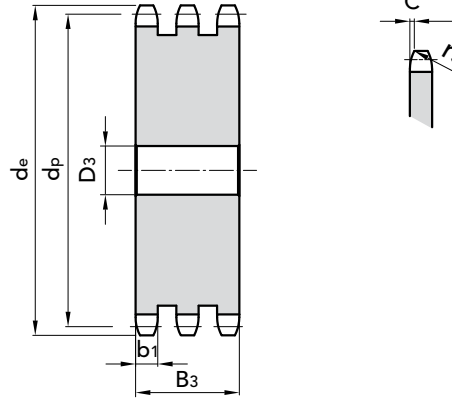
## 3/4" x 7/16"

### PLATEWHEEL

Tooth radius $r_3$	19	mm
Radius width $C$	2	mm
Plate tooth width $B_1$	11,1	mm
Plate tooth width $b_1$	10,8	mm
Plate tooth width $B_2$	30,3	mm
Plate tooth width $B_3$	49,8	mm

### CHAIN

Pitch	19,05	mm
Inner width	11,68	mm
Roller $\varnothing$	12,07	mm



**PLATEWHEELS 3/4" x 7/16"**  
for roller chains in compliance  
with DIN 8187 - ISO/R 606

### TRIPLE

Z	D <sub>1</sub>	d <sub>e</sub>	d <sub>p</sub>	P. NUMBER	kg.	Z	D <sub>1</sub>	d <sub>e</sub>	d <sub>p</sub>	P. NUMBER	kg.
8	16	57,31	49,78	20319008	0,31	44	25	274,56	267,03	20319044	20,03
9	16	63,23	55,70	20319009	0,57	45	25	280,62	273,09	20319045	21,00
10	16	69,18	61,65	20319010	0,74	46					
11	20	75,15	67,62	20319011	0,91	47	25	294,74	285,21	20319047	23,00
12	20	81,13	73,60	20319012	1,13	48	25	298,80	291,27	20319048	24,04
13	20	87,13	79,60	20319013	1,38	49					
14	20	93,14	85,61	20319014	1,64	50	25	310,92	303,39	20319050	26,17
15	20	99,16	91,63	20319015	1,93	51					
16	20	105,18	97,65	20319016	2,20	52	25	323,04	315,51	20319052	28,40
17	20	111,20	103,67	20319017	2,54	53					
18	20	117,23	109,70	20319018	2,89	54	25	335,16	327,63	20319054	30,72
19	20	123,27	115,74	20319019	3,27	55	25	341,22	333,69	20319055	31,91
20	20	129,31	121,78	20319020	3,67	56					
21	20	135,35	127,82	20319021	4,10	57					
22	20	141,39	133,86	20319022	4,55	58	30	359,40	351,87	20319058	34,28
23	20	147,43	139,90	20319023	5,02	59					
24	20	153,48	145,95	20319024	5,51	60					
25	20	159,52	151,99	20319025	6,02	62					
26	20	165,57	158,04	20319026	6,56	64					
27	20	171,62	164,09	20319027	7,12	65	30	401,83	394,30	20319065	45,00
28	20	177,67	170,14	20319028	7,71	68					
29	20	183,72	176,19	20319029	8,31	70	30	432,14	424,61	20319070	52,42
30	20	189,78	182,25	20319030	8,97	72	30	444,26	436,73	20319072	55,55
31	25	195,83	188,30	20319031	9,52	75					
32	25	201,88	194,35	20319032	10,19	76	30	468,51	460,98	20319076	62,09
33	25	207,94	200,41	20319033	10,89	78					
34	25	213,99	206,46	20319034	11,61	80	30	492,76	485,23	20319080	68,98
35	25	220,05	212,52	20319035	12,35	85	30	510,95	503,42	20319085	78,10
36	25	226,10	218,57	20319036	13,11	90	30	553,38	545,85	20319090	87,79
37	25	232,16	224,63	20319037	13,90	95	30	583,70	576,17	20319095	98,04
38	25	238,22	230,69	20319038	14,70	100	30	614,01	606,48	20319100	108,86
39	25	244,27	236,74	20319039	17,54	110	30	674,64	667,11	20319110	120,30
40	25	250,33	242,80	20319040	16,40	114	30	698,89	691,36	20319114	142,15
41						120	30	735,27	727,74	20319120	157,77
42	25	262,45	254,92	20319042	18,17	125	30	765,59	758,06	20319125	171,41
43	25	268,51	260,98	20319043	19,09						

MATERIAL **FE / C45**

Ask for specific needs.

CAD drawings available on our site  
[www.chiaravalli.com](http://www.chiaravalli.com)

Quantity, availability and prices  
on B2B Chiaravalli





**PLATEWHEELS 1" x 17.02 mm**  
for roller chains in compliance  
with DIN 8187 - ISO/R 606

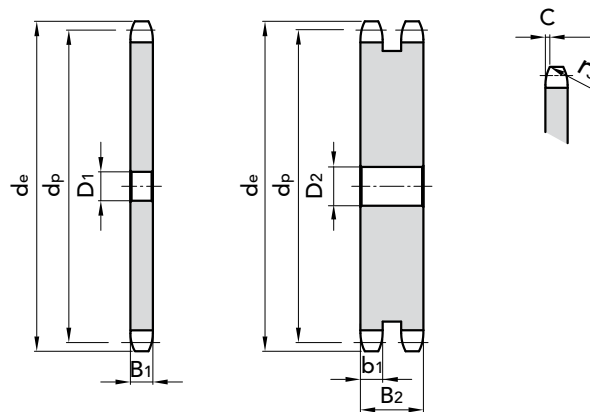
**1" x 17.02 mm**

### PLATEWHEEL

Tooth radius $r_3$	26	mm
Radius width $\check{C}$	2,5	mm
Plate tooth width $B_1$	16,2	mm
Plate tooth width $b_1$	15,8	mm
Plate tooth width $B_2$	47,7	mm
Plate tooth width $B_3$	79,6	mm

### CHAIN

Pitch	25,4	mm
Inner width	17,02	mm
Roller $\varnothing$	15,88	mm



### SIMPLE

Z	D <sub>1</sub>	d <sub>e</sub>	d <sub>p</sub>	P. NUMBER	kg.
8	14	77,49	66,37	20125008	0,30
9	14	85,38	74,26	20125009	0,39
10	15	93,32	82,20	20125010	0,51
11	15	101,28	90,14	20125011	0,63
12	15	109,26	98,14	20125012	0,77
13	15	117,26	106,14	20125013	0,92
14	15	125,27	114,15	20125014	1,08
15	15	133,29	122,17	20125015	1,26
16	19	141,32	130,20	20125016	1,43
17	19	149,35	138,23	20125017	1,64
18	19	157,39	146,27	20125018	1,85
19	19	165,44	154,32	20125019	2,08
20	19	173,49	162,37	20125020	2,32
21	20	181,54	170,42	20125021	2,58
22	20	189,60	178,48	20125022	2,84
23	20	197,66	186,54	20125023	3,13
24	20	205,72	194,60	20125024	3,42
25	20	213,78	202,66	20125025	3,73
26	20	221,80	210,72	20125026	4,05
27	20	229,91	218,79	20125027	4,38
28	20	237,98	226,86	20125028	4,73
29	20	246,05	234,93	20125029	5,09
30	20	254,12	243,00	20125030	5,46
31	25	262,19	251,07	20125031	5,82
32	25	270,26	259,14	20125032	6,22
33	25	278,33	267,21	20125033	6,63
34	25	287,40	275,28	20125034	7,06
35	25	294,48	283,36	20125035	7,50
36	25	302,55	291,43	20125036	7,95
37	25	310,63	299,51	20125037	8,41
38	25	318,70	307,58	20125038	8,88
39	25	326,78	315,66	20125039	9,37
40	25	334,86	323,74	20125040	9,88
41	25	342,93	331,81	20125041	10,39
42	25	351,01	339,89	20125042	10,92
43	25	359,09	347,97	20125043	11,46

### DOUBLE

Z	D <sub>1</sub>	d <sub>e</sub>	d <sub>p</sub>	P. NUMBER	kg.
8	16	77,49	66,37	20225008	0,71
9	16	85,38	74,26	20225009	0,97
10	16	93,32	82,20	20225010	1,27
11	20	101,28	90,14	20225011	1,57
12	20	109,26	98,14	20225012	1,94
13	20	117,26	106,14	20225013	2,36
14	20	125,27	114,15	20225014	2,81
15	20	133,29	122,17	20225015	3,31
16	20	141,32	130,20	20225016	3,84
17	20	149,35	138,23	20225017	4,41
18	20	157,39	146,27	20225018	5,01
19	20	165,44	154,32	20225019	5,66
20	20	173,49	162,37	20225020	6,34
21	25	181,54	170,42	20225021	7,00
22	25	189,60	178,48	20225022	7,76
23	25	197,66	186,54	20225023	8,56
24	25	205,72	194,60	20225024	9,40
25	25	213,78	202,66	20225025	10,28
26	25	221,80	210,72	20225026	11,20
27	25	229,91	218,79	20225027	12,15
28	25	237,98	226,86	20225028	13,14
29	25	246,05	234,93	20225029	14,17
30	25	254,12	243,00	20225030	15,24
31	25	262,19	251,07	20225031	16,35
32	25	270,26	259,14	20225032	17,50
33	25	278,33	267,21	20225033	18,68
34	25	287,40	275,28	20225034	19,90
35	25	294,48	283,36	20225035	21,16
36	25	302,55	291,43	20225036	22,46
37	25	310,63	299,51	20225037	23,80
38	25	318,70	307,58	20225038	25,18
39	25	326,78	315,66	20225039	26,59
40	25	334,86	323,74	20225040	28,04
41					
42	25	351,01	339,89	20225042	31,07
43	25	359,09	347,97	20225043	32,65

MATERIAL **FE / C45**

Ask for specific needs.

CAD drawings available on our site  
[www.chiaravalli.com](http://www.chiaravalli.com)

Quantity, availability and prices  
on B2B Chiaravalli





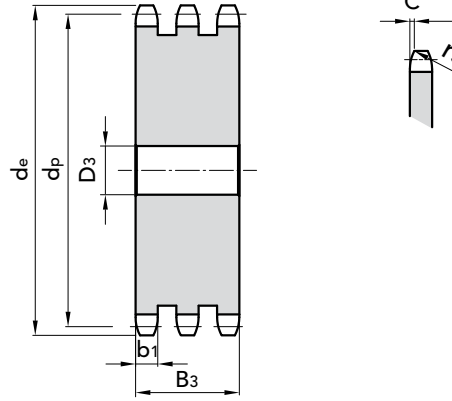
## 1" x 17.02 mm

### PLATEWHEEL

Tooth radius $r_3$	26	mm
Radius width $C$	2,5	mm
Plate tooth width $B_1$	16,2	mm
Plate tooth width $b_1$	15,8	mm
Plate tooth width $B_2$	47,7	mm
Plate tooth width $B_3$	79,6	mm

### CHAIN

Pitch	25,4	mm
Inner width	17,02	mm
Roller $\varnothing$	15,88	mm



**PLATEWHEELS 1" x 17.02 mm**  
for roller chains in compliance  
with DIN 8187 - ISO/R 606

### TRIPLE

Z	D <sub>1</sub>	d <sub>e</sub>	d <sub>p</sub>	P. NUMBER	kg.	Z	D <sub>1</sub>	d <sub>e</sub>	d <sub>p</sub>	P. NUMBER	kg.
8	20	77,49	66,37	20325008	1,13	44	30	367,17	356,05	20325044	56,63
9	20	85,38	74,26	20325009	1,56	45	30	375,24	364,12	20325045	59,36
10	20	93,32	82,20	20325010	2,05	46	30	383,32	372,20	20325046	62,17
11	25	101,28	90,14	20325011	2,53	47					
12	25	109,26	98,14	20325012	3,15	48	30	399,48	388,36	20325048	67,97
13	25	117,26	106,14	20325013	3,84	49					
14	25	125,27	114,15	20325014	4,59	50	30	415,64	404,52	20325050	74,01
15	25	133,29	122,17	20325015	5,40	51					
16	30	141,32	130,20	20325016	6,16	52	40	431,80	420,68	20325052	79,98
17	30	149,35	138,23	20325017	7,11	53					
18	30	157,39	146,27	20325018	8,11	54					
19	30	165,44	154,32	20325019	9,18	55	40	456,04	444,92	20325055	89,92
20	30	173,49	162,37	20325020	10,31	56					
21	30	181,54	170,42	20325021	11,51	57	40	472,20	461,08	20325057	96,87
22	30	189,60	178,48	20325022	12,77	58					
23	30	197,66	186,54	20325023	14,10	60	40	496,45	485,33	20325060	107,78
24	30	205,72	194,60	20325024	14,49	62					
25	30	213,78	202,66	20325025	16,94	64					
26	30	221,80	210,72	20325026	18,33	65	40	536,85	525,73	20325065	127,24
27	30	229,91	218,79	20325027	19,91	68	40	561,10	579,98	20325068	137,78
28	30	237,98	226,86	20325028	21,55	70	40	577,27	566,15	20325070	148,31
29	30	246,05	234,93	20325029	23,26	72	40	593,43	582,31	20325072	157,18
30	30	254,12	243,00	20325030	25,04	75					
31	30	262,19	251,07	20325031	26,88	76	40	625,76	614,64	20325076	175,70
32	30	270,26	259,14	20325032	28,78	78					
33	30	278,33	267,21	20325033	30,75	80	40	658,09	646,97	20325080	195,25
34	30	287,40	275,28	20325034	32,78	85	40	698,51	687,39	20325085	221,13
35	30	294,48	283,36	20325035	34,88	90	40	738,92	727,80	20325090	248,61
36	30	302,55	291,43	20325036	37,04	95	40	779,34	768,22	20325095	277,70
37						100					
38	30	318,70	307,58	20325038	41,56	110					
39						114	40	932,93	921,81	20325114	402,85
40	30	334,86	323,74	20325040	46,42	120					
41						125	40	1021,86	1010,74	20325125	485,90
42	30	351,01	339,89	20325042	51,34						
43											

MATERIAL **FE / C45**

Ask for specific needs.

CAD drawings available on our site  
[www.chiaravalli.com](http://www.chiaravalli.com)

Quantity, availability and prices  
on B2B Chiaravalli





**PLATEWHEELS 1" 1/4 x 3/4"**  
for roller chains in compliance  
with DIN 8187 - ISO/R 606

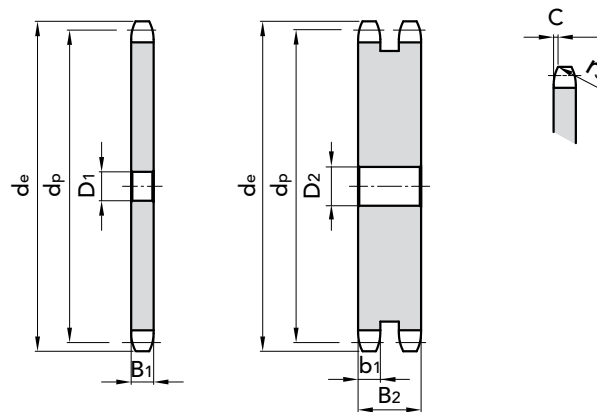
**1" 1/4 x 3/4"**

### PLATEWHEEL

Tooth radius $r_3$	32	mm
Radius width $\bar{C}$	3,5	mm
Plate tooth width $B_1$	18,5	mm
Plate tooth width $b_1$	18,2	mm
Plate tooth width $B_2$	54,6	mm
Plate tooth width $B_3$	91	mm

### CHAIN

Pitch	31,75	mm
Inner width	19,56	mm
Roller $\varnothing$	19,05	mm



### SIMPLE

Z	D <sub>1</sub>	d <sub>e</sub>	d <sub>p</sub>	P. NUMBER	kg.
8	16	98,10	82,96	20131008	0,55
9	16	108,0	92,84	20131009	0,73
10	16	117,9	102,74	20131010	0,93
11	16	127,8	112,68	20131011	1,13
12	20	137,8	122,68	20131012	1,38
13	20	147,8	132,65	20131013	1,65
14	20	157,8	142,68	20131014	1,94
15	20	167,9	152,72	20131015	2,26
16	25	177,9	162,75	20131016	2,60
17	25	187,9	172,78	20131017	2,96
18	25	198,0	182,85	20131018	3,34
19	25	208,1	192,91	20131019	3,75
20	25	218,1	202,98	20131020	4,19
21	25	228,2	213,04	20131021	4,62
22	25	238,3	223,11	20131022	5,09
23	25	248,3	233,17	20131023	5,60
24	25	258,4	243,23	20131024	6,18
25	25	268,5	253,33	20131025	6,67
26	25	278,6	263,40	20131026	7,21
27	25	288,6	273,40	20131027	7,81
28	25	298,7	283,56	20131028	8,43
29	25	308,8	293,65	20131029	9,07
30	25	318,9	303,75	20131030	9,73
31	25	329,0	313,85	20131031	19,42
32	25	339,1	323,91	20131032	11,13
33	25	349,2	334,01	20131033	11,87
34	25	359,3	344,10	20131034	12,63
35	25	369,4	354,20	20131035	13,41
36	25	379,5	364,30	20131036	14,22
37	25	389,5	374,39	20131037	15,04
38	25	399,6	384,49	20131038	15,90
39	25	409,7	394,59	20131039	16,77
40	25	419,8	404,68	20131040	17,67
41	30	429,9	414,78	20131041	18,59
42	30	440,0	424,88	20131042	19,54
43	30	450,1	434,97	20131043	20,50

### DOUBLE

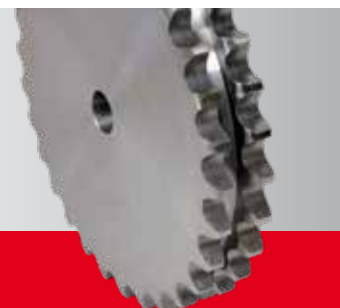
Z	D <sub>1</sub>	d <sub>e</sub>	d <sub>p</sub>	P. NUMBER	kg.
8	20	98,10	82,96	20231008	1,28
9	20	108,00	92,84	20231009	1,74
10	20	117,90	102,74	20231010	2,28
11	20	127,80	112,68	20231011	2,89
12	20	137,80	122,68	20231012	3,56
13	20	147,80	132,65	20231013	4,31
14	20	157,80	142,68	20231014	5,12
15	20	167,90	152,72	20231015	6,00
16	25	177,90	162,75	20231016	6,78
17	25	187,90	172,78	20231017	7,80
18	25	198,00	182,85	20231018	8,89
19	25	208,10	192,91	20231019	10,05
20	25	218,10	202,98	20231020	11,27
21	25	228,20	213,04	20231021	12,56
22	25	238,30	223,11	20231022	13,93
23	25	248,30	233,17	20231023	15,36
24	25	258,40	243,23	20231024	16,86
25	25	268,50	253,33	20231025	18,43
26	25	278,60	263,40	20231026	20,07
27	25	288,60	273,40	20231027	21,77
28	25	298,70	283,56	20231028	23,56
29	25	308,80	293,65	20231029	25,39
30	25	318,90	303,75	20231030	27,30
31	25	329,00	313,85	20231031	29,29
32	25	339,10	323,91	20231032	31,34
33					
34	25	359,30	344,10	20231034	35,64
35	25	369,40	354,20	20231035	37,90
36					
37					
38	30	399,60	384,49	20231038	45,08
39					
40	30	419,80	404,68	20231040	50,21
41					
42	30	440,00	424,88	20231042	55,62
43					

MATERIAL **FE / C45**

Ask for specific needs.

CAD drawings available on our site  
[www.chiaravalli.com](http://www.chiaravalli.com)

Quantity, availability and prices  
on B2B Chiaravalli





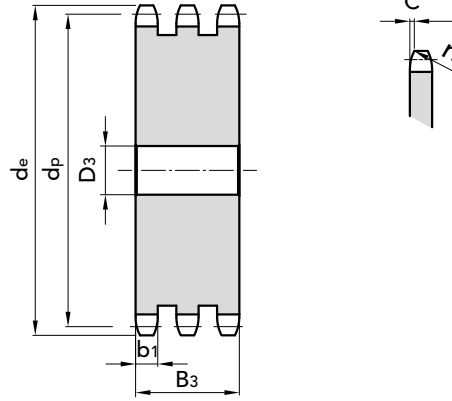
## 1" 1/4 x 3/4"

### PLATEWHEEL

Tooth radius $r_3$	32	mm
Radius width $C$	3,5	mm
Plate tooth width $B_1$	18,5	mm
Plate tooth width $b_1$	18,2	mm
Plate tooth width $B_2$	54,6	mm
Plate tooth width $B_3$	91	mm

### CHAIN

Pitch	31,75	mm
Inner width	19,56	mm
Roller $\varnothing$	19,05	mm



**PLATEWHEELS 1" 1/4 x 3/4"**  
for roller chains in compliance  
with DIN 8187 - ISO/R 606

### TRIPLE

Z	D <sub>1</sub>	d <sub>e</sub>	d <sub>p</sub>	P. NUMBER	kg.	Z	D <sub>1</sub>	d <sub>e</sub>	d <sub>p</sub>	P. NUMBER	kg.
8	20	98,10	82,96	20331008	2,02	44					
9	20	108,0	92,84	20331009	2,79	45	40	470,3	455,17	20331045	105,96
10	20	117,9	102,74	20331010	3,77	46					
11	20	127,8	112,68	20331011	4,53	48					
12	20	137,8	122,68	20331012	5,64	50	40	520,8	505,65	20331050	132,13
13	20	147,8	132,65	20331013	4,87	51					
14	20	157,8	142,68	20331014	8,20	52					
15	20	167,9	152,72	20331015	9,65	54					
16	25	177,9	162,75	20331016	11,07	55	40	571,3	556,16	20331055	161,16
17	25	187,9	172,78	20331017	12,75	56					
18	25	198,0	182,85	20331018	14,54	57	40	591,5	576,36	20331057	173,58
19	25	208,1	192,91	20331019	16,45	58					
20	25	218,1	202,98	20331020	18,47	60	40	621,8	606,65	20331060	193,06
21	25	228,2	213,04	20331021	20,62	64					
22	25	238,3	223,11	20331022	22,87	65	40	672,3	657,16	20331065	227,83
23	25	248,3	233,17	20331023	25,24	70	40	722,8	707,67	20331070	265,46
24	25	258,4	243,23	20331024	27,72	75					
25	25	268,5	253,33	20331025	30,32	76	40	783,5	768,32	20331076	314,39
26	25	278,6	263,40	20331026	33,03	80	40	823,9	808,72	20331080	340,0
27	25	288,6	273,40	20331027	35,86	85					
28	25	298,7	283,56	20331028	38,80	90					
29						95	40	975,4	960,28	20331095	420,0
30	25	318,9	303,75	20331030	45,03	100					
31						114	40	1167,4	1152,26	20331114	720,16
32	25	339,1	323,91	20331032	51,72						
33	25	349,2	334,01	20331033	55,17						
34	25	359,3	344,10	20331034	58,86						
35	25	369,4	354,20	20331035	62,60						
36	30	379,5	364,30	20331036	66,46						
37	30	389,5	374,39	20331037	70,37						
38	30	399,6	384,49	20331038	74,52						
39											
40	30	419,8	404,68	20331040	83,04						
41											
42											
43											

MATERIAL **FE / C45**  
Ask for specific needs.

CAD drawings available on our site  
[www.chiaravalli.com](http://www.chiaravalli.com)

Quantity, availability and prices  
on B2B Chiaravalli





**PLATEWHEELS 1" 1/2 x 1"**  
for roller chains in compliance  
with DIN 8187 - ISO/R 606

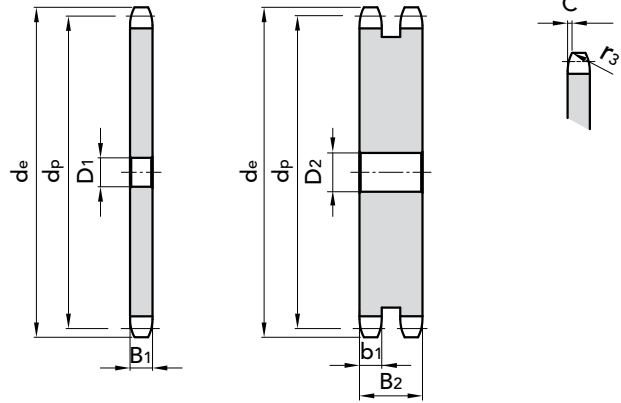
**1" 1/2 x 1"**

### PLATEWHEEL

Tooth radius $r_s$	38	mm
Radius width $\bar{C}$	4	mm
Plate tooth width $B_1$	24,1	mm
Plate tooth width $b_1$	23,6	mm
Plate tooth width $B_2$	72	mm
Plate tooth width $B_3$	120,3	mm

### CHAIN

Pitch	38,1	mm
Inner width	25,4	mm
Roller $\varnothing$	25,4	mm



### SIMPLE

Z	D <sub>1</sub>	d <sub>e</sub>	d <sub>p</sub>	P. NUMBER	kg.
8	20	115,0	99,55	20138008	1,00
9	20	126,4	111,40	20138009	1,32
10	20	138,0	123,29	20138010	1,69
11	20	150,0	135,21	20138011	2,07
12	20	162,0	147,22	20138012	2,53
13	20	174,2	159,18	20138013	3,03
14	20	186,2	171,22	20138014	3,57
15	20	198,2	183,26	20138015	4,16
16	25	210,3	195,30	20138016	4,79
17	25	222,3	207,34	20138017	5,47
18	25	234,3	219,42	20138018	6,19
19	25	246,5	231,49	20138019	6,95
20	25	258,6	243,57	20138020	7,76
21	25	270,6	255,65	20138021	8,57
22	25	282,7	267,73	20138022	9,46
23	25	294,8	279,80	20138023	10,40
24	25	306,8	291,88	20138024	11,38
25	25	319,0	304,00	20138025	12,41
26	30	331,0	316,08	20138026	13,47
27	30	343,2	328,19	20138027	14,59
28	30	355,2	340,27	20138028	15,74
29	30	367,3	352,38	20138029	16,94
30	30	379,5	364,50	20138030	18,91
31	30	391,6	376,62	20138031	19,47
32	30	403,7	388,69	20138032	20,80
33	30	415,8	400,81	20138033	22,18
34	30	427,8	412,93	20138034	23,60
35	30	440,0	425,04	20138035	25,06
36	30	452,0	437,16	20138036	26,60
37	30	464,2	449,27	20138037	28,12
38	30	476,2	461,39	20138038	29,71
39					
40	30	500,6	485,62	20138040	33,03
41	30	512,6	497,74	20138041	34,75
42	30	524,7	509,85	20138042	36,52
43	30	536,8	521,97	20138043	37,00

### DOUBLE

Z	D <sub>1</sub>	d <sub>e</sub>	d <sub>p</sub>	P. NUMBER	kg.
8	25	115,00	99,55	20238008	2,31
9	25	126,40	111,40	20238009	3,18
10	25	138,00	123,29	20238010	4,19
11	25	150,00	135,21	20238011	5,33
12	25	162,00	147,22	20238012	6,59
13	25	174,20	159,18	20238013	7,99
14	25	186,20	171,22	20238014	9,52
15	25	198,20	183,26	20238015	11,18
16	25	210,30	195,30	20238016	12,85
17	25	222,30	207,34	20238017	14,77
18	25	234,30	219,42	20238018	16,82
19	25	246,50	231,49	20238019	19,00
20	25	258,60	243,57	20238020	21,31
21	25	270,60	255,65	20238021	23,75
22	25	282,70	267,73	20238022	26,33
23	25	294,80	279,80	20238023	29,03
24	25	306,80	291,88	20238024	31,86
25	25	319,00	304,00	20238025	34,83
26	30	331,00	316,08	20238026	37,93
27	30	343,20	328,19	20238027	41,15
28	30	355,20	340,27	20238028	44,51
29	30	367,30	352,38	20238029	48,00
30	30	379,50	364,50	20238030	51,61
31	30	391,60	376,62	20238031	55,05
32	30	403,70	388,69	20238032	58,93
33	30	415,80	400,81	20238033	62,94
34	30	427,80	412,93	20238034	67,08
35	30	440,00	425,04	20238035	71,35
36	30	452,00	437,16	20238036	75,75
37	30	464,20	449,27	20238037	80,28
38	30	476,20	461,39	20238038	84,95
39					
40	30	500,60	485,62	20238040	94,66
41					
42					
43					

MATERIAL **FE / C45**

Ask for specific needs.

CAD drawings available on our site  
[www.chiaravalli.com](http://www.chiaravalli.com)

Quantity, availability and prices  
on B2B Chiaravalli







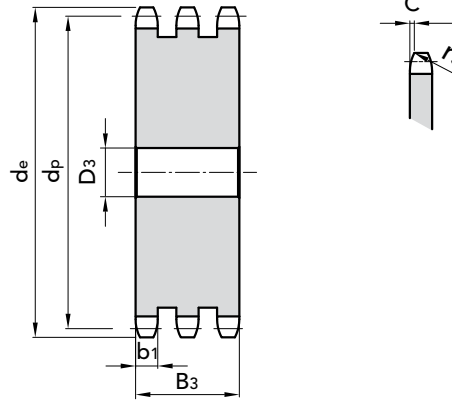
## 1" 1/2 x 1"

### PLATEWHEEL

Tooth radius $r_3$	38	mm
Radius width $C$	4	mm
Plate tooth width $B_1$	24,1	mm
Plate tooth width $b_1$	23,6	mm
Plate tooth width $B_2$	72	mm
Plate tooth width $B_3$	120,3	mm

### CHAIN

Pitch	38,1	mm
Inner width	25,4	mm
Roller $\varnothing$	25,4	mm



**PLATEWHEELS 1" 1/2 x 1"**  
for roller chains in compliance  
with DIN 8187 - ISO/R 606

### TRIPLE

Z	D <sub>1</sub>	d <sub>e</sub>	d <sub>p</sub>	P. NUMBER	kg.	Z	D <sub>1</sub>	d <sub>e</sub>	d <sub>p</sub>	P. NUMBER	kg.
8	25	115,0	99,55	20338008	3,67	44					
9	25	126,4	111,40	20338009	5,10	45	40	561,2	546,20	20338045	201,37
10	25	138,0	123,29	20338010	6,75	46					
11	25	150,0	135,21	20338011	8,42	47					
12	25	162,0	147,22	20338012	10,50	48	40	597,4	582,55	20338048	230,56
13	25	174,2	159,18	20338013	12,81	49					
14	25	186,2	171,22	20338014	15,33	50	40	621,7	606,78	20338050	251,11
15	25	198,2	183,26	20338015	18,08	51					
16	25	210,3	195,30	20338016	21,04	52					
17	25	222,3	207,34	20338017	24,22	53					
18	25	234,3	219,42	20338018	27,61	54					
19	25	246,5	231,49	20338019	31,23	55	40	682,3	667,40	20338055	265,0
20	25	258,6	243,57	20338020	35,06	56					
21	30	270,6	255,65	20338021	38,60	57	40	706,5	691,63	20338057	329,92
22	30	282,7	267,73	20338022	42,87	58					
23	30	294,8	279,80	20338023	47,36	59					
24	30	306,8	291,88	20338024	52,07	60	40	742,8	727,97	20338060	366,97
25	30	319,0	304,00	20338025	56,99	62					
26	30	331,0	316,08	20338026	62,14	64					
27	30	343,2	328,19	20338027	67,50	65					
28	30	355,2	340,27	20338028	73,08	66					
29						68					
30	40	379,5	364,50	20338030	84,90	70					
31						72					
32	40	403,7	388,69	20338032	97,59	75					
33						76	40	936,9	921,98	20338076	597,76
34						80					
35	40	440,0	425,04	20338035	118,26	85					
36						95					
37											
38	40	476,2	416,39	20338038	140,90						
39											
40	40	500,6	485,62	20338040	158,08						
41											
42											
43											

MATERIAL **FE / C45**

Ask for specific needs.

CAD drawings available on our site  
[www.chiaravalli.com](http://www.chiaravalli.com)

Quantity, availability and prices  
on B2B Chiaravalli





**PLATEWHEELS 1" 3/4 x 1" 1/4**  
for roller chains in compliance  
with DIN 8187 - ISO/R 606

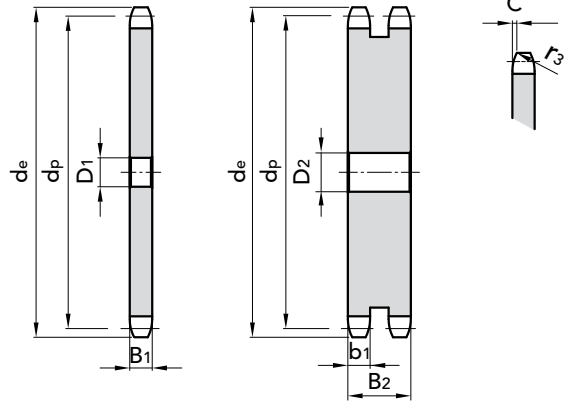
## 1" 3/4 x 1" 1/4

### PLATEWHEEL

Tooth radius $r_3$	44	mm
Radius width $\bar{C}$	5	mm
Plate tooth width $B_1$	29,4	mm
Plate tooth width $b_1$	28,8	mm
Plate tooth width $B_2$	88,4	mm
Plate tooth width $B_3$	148	mm

### CHAIN

Pitch	44,45	mm
Inner width	30,99	mm
Roller $\varnothing$	27,94	mm



### SIMPLE

Z	D <sub>1</sub>	d <sub>e</sub>	d <sub>p</sub>	P. NUMBER	kg.
8	25	132,0	116,15	20144008	1,71
9	25	148,4	129,96	20144009	2,26
10	25	162,3	143,85	20144010	2,88
11	25	176,3	157,77	20144011	3,53
12	25	189,5	171,74	20144012	4,29
13	25	204,2	185,75	20144013	5,12
14	25	218,2	199,76	20144014	6,03
15	25	232,3	213,79	20144015	7,01
16	30	246,3	227,84	20144016	8,02
17	30	260,0	241,91	20144017	9,14
18	30	274,0	255,98	20144018	10,34
19	30	289,0	270,06	20144019	11,61
20	30	303,0	284,15	20144020	12,95
21	30	317,0	298,24	20144021	14,37
22	30	331,0	312,34	20144022	15,86
23	30	345,0	326,44	20144023	17,42
24	30	359,0	340,55	20144024	19,05
25	30	373,0	354,66	20144025	20,76
26	30	387,0	368,77	20144026	22,54
27	30	401,4	382,88	20144027	24,39
28	30	416,0	397,00	20144028	26,32
29					
30	30	444,0	425,24	20144030	30,38
31					
32	30	472,0	453,49	20144032	34,74
33					
34	30	500,0	481,75	20144034	39,38
35	30	514,0	495,88	20144035	41,82
36	30	529,0	510,01	20144036	44,32
37	30	543,0	524,14	20144037	45,00
38	30	557,0	538,27	20144038	49,55
39					
40	30	585,0	566,54	20144040	55,07
45	30	656,0	637,22	20144045	70,13
50	30	726,0	707,91	20144050	87,01
57	40	825,0	806,90	20144057	113,56

### DOUBLE

Z	D <sub>1</sub>	d <sub>e</sub>	d <sub>p</sub>	P. NUMBER	kg.
8	25	132,00	116,15	20244008	4,01
9	25	148,40	129,96	20244009	5,48
10	25	162,3	143,85	20244010	7,17
11	25	176,30	157,77	20244011	8,92
12	25	189,50	171,74	20244012	11,04
13	25	204,20	185,75	20244013	13,38
14	25	218,20	199,76	20244014	15,94
15	25	232,30	213,79	20244015	18,72
16	30	246,30	227,84	20244016	21,71
17	30	260,00	241,91	20244017	24,92
18	30	274,00	255,98	20244018	28,36
19	30	289,00	270,06	20244019	32,00
20	30	303,00	284,15	20244020	35,87
21	30	317,00	298,24	20244021	39,96
22	30	331,00	312,34	20244022	44,26
23	30	345,00	326,44	20244023	48,78
24	30	359,00	340,55	20244024	52,85
25	30	373,00	354,66	20244025	58,50
26	30	387,00	368,77	20244026	63,28
27					
28	30	416,00	397,00	20244028	74,29
29					
30	30	444,00	425,24	20244030	86,17
31					
32					
33					
34					
35	30	514,00	495,88	20244035	119,69
36					
37					
38	30	557,00	538,27	20244038	142,42
39					
40	30	585,00	566,54	20244040	158,67
45	30	656,00	637,22	20244045	203,10
50	30	726,00	707,91	20244050	252,99
57	40	825,00	806,90	20244057	332,00

MATERIAL **FE / C45**

Ask for specific needs.

CAD drawings available on our site  
[www.chiaravalli.com](http://www.chiaravalli.com)

Quantity, availability and prices  
on B2B Chiaravalli





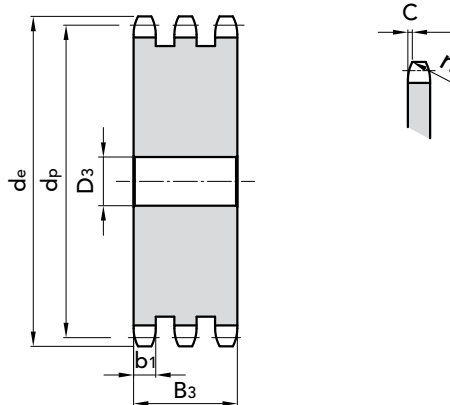
## 1" 3/4 x 1" 1/4

### PLATEWHEEL

Tooth radius $r_3$	44	mm
Radius width $C$	5	mm
Plate tooth width $B_1$	29,4	mm
Plate tooth width $b_1$	28,8	mm
Plate tooth width $B_2$	88,4	mm
Plate tooth width $B_3$	148	mm

### CHAIN

Pitch	44,45	mm
Inner width	30,99	mm
Roller $\varnothing$	27,94	mm



**PLATEWHEELS 1" 3/4 x 1" 1/4**  
for roller chains in compliance  
with DIN 8187 - ISO/R 606

### TRIPLE

Z	D <sub>1</sub>	d <sub>e</sub>	d <sub>p</sub>	P. NUMBER	kg.	Z	D <sub>1</sub>	d <sub>e</sub>	d <sub>p</sub>	P. NUMBER	kg.
8	25	132,0	116,15	20344008	6,39	60					
9	25	148,4	129,96	20344009	8,80	76	40	1095,5	1075,62	20344076	1000,97
10	25	162,3	143,85	20344010	11,56						
11	30	176,3	157,77	20344011	14,44						
12	30	189,5	171,74	20344012	17,93						
13	30	204,2	185,75	20344013	21,79						
14	30	218,2	199,76	20344014	26,02						
15	30	232,3	213,79	20344015	30,61						
16	30	246,3	227,84	20344016	35,57						
17	30	260,0	241,91	20344017	40,89						
18	30	274,0	255,98	20344018	46,58						
19	30	289,0	270,06	20344019	52,64						
20	30	303,0	284,15	20344020	59,06						
21	30	317,0	298,24	20344021	65,20						
22											
23	30	345,0	326,44	20344023	79,87						
24											
25	40	373,0	354,66	20344025	95,99						
26											
27											
28											
29											
30	40	444,0	425,24	20344030	142,70						
31											
32											
33											
34											
35											
36											
37											
38	40	557,0	538,27	20344038	236,43						
39											
40	40	585,0	566,54	20344040	263,52						
45	40	656,0	637,22	20344045	337,73						
50											
57	40	825,0	806,90	20344057	552,76						

MATERIAL **FE / C45**

Ask for specific needs.

CAD drawings available on our site  
[www.chiaravalli.com](http://www.chiaravalli.com)

Quantity, availability and prices  
on B2B Chiaravalli





**PLATEWHEELS 2" x 1" 1/4**  
for roller chains in compliance  
with DIN 8187 - ISO/R 606

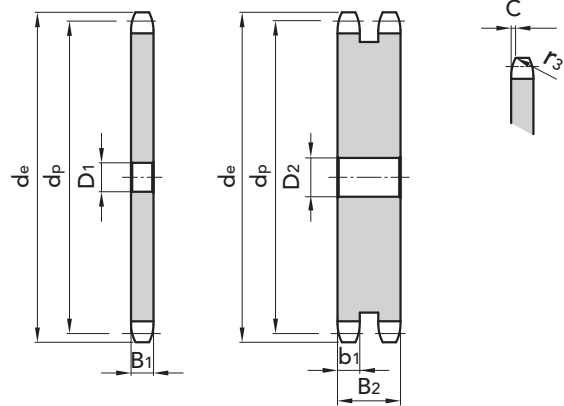
## 2" x 1" 1/4

### PLATEWHEEL

Tooth radius $r_3$	51	mm
Radius width $\bar{C}$	5	mm
Plate tooth width $B_{11}$	29,4	mm
Plate tooth width $b_{11}$	28,8	mm
Plate tooth width $B_{23}$	87,4	mm
Plate tooth width $B_3$	146	mm

### CHAIN

Pitch	50,8	mm
Inner width	30,99	mm
Roller $\varnothing$	29,21	mm



### SIMPLE

Z	D <sub>1</sub>	d <sub>e</sub>	d <sub>p</sub>	P. NUMBER	kg.
8	25	153,2	132,69	20150008	2,27
9	25	169,0	148,54	20150009	2,99
10	25	185,0	164,44	20150010	3,81
11	30	200,8	180,34	20150011	4,67
12	30	216,8	196,29	20150012	5,67
13	30	232,8	212,29	20150013	6,77
14	30	248,8	228,29	20150014	7,97
15	30	264,8	244,30	20150015	9,26
16	30	280,9	260,40	20150016	10,64
17	30	296,9	276,40	20150017	12,12
18	30	313,0	292,55	20150018	13,69
19	30	329,1	308,66	20150019	15,36
20	30	345,2	324,71	20150020	16,99
21	30	361,3	340,82	20150021	18,85
22	30	377,5	356,98	20150022	20,80
23	30	393,6	373,08	20150023	22,85
24	30	409,7	389,18	20150024	24,99
25	30	425,8	405,33	20150025	27,23
26	30	441,9	421,44	20150026	29,56
27					
28	30	474,2	453,69	20150028	34,51
29					
30	30	506,5	486,00	20150030	39,84
32	30	538,8	518,28	20150032	45,54
35	30	589,5	566,72	20150035	54,81
38	30	635,5	615,14	20150038	64,93
40	40	670,3	647,49	20150040	72,16
45	40	751,0	728,26	20150045	91,87
50	40	831,8	809,04	20150050	113,96
57	40	945,0	922,17	20150057	148,86
60	40	993,4	970,63	20150060	165,24
76	40	1252,0	1229,28	20150076	267,00

### DOUBLE

Z	D <sub>1</sub>	d <sub>e</sub>	d <sub>p</sub>	P. NUMBER	kg.
8	25	153,20	132,69	20250008	5,53
9	25	169,00	148,54	20250009	7,46
10	25	185,00	164,44	20250010	9,68
11	30	200,80	180,34	20250011	11,86
12	30	216,80	196,29	20250012	14,64
13	30	232,80	212,29	20250013	17,70
14	30	248,80	228,29	20250014	21,05
15	30	264,80	244,30	20250015	24,68
16	30	280,90	260,40	20250016	28,38
17	30	296,90	276,40	20250017	32,57
18	30	313,00	292,55	20250018	37,05
19	30	329,10	308,66	20250019	41,80
20	30	345,20	324,71	20250020	46,84
21	30	361,30	340,82	20250021	52,15
22	30	377,50	356,98	20250022	57,75
23	30	393,60	373,08	20250023	63,63
24	30	409,70	389,18	20250024	69,80
25	30	425,80	405,33	20250025	76,24
26	30	441,90	421,44	20250026	82,97
27					
28	30	474,20	453,69	20250028	97,27
29					
30	40	506,50	486,00	20250030	112,70
32					
35	40	589,50	566,72	20250035	156,19
38	40	635,50	615,14	20250038	185,67
40	40	670,30	647,49	20250040	206,73
45	40	751,00	728,26	20250045	265,32
50	40	831,80	809,04	20250050	328,95
57	40	945,00	922,17	20250057	431,27
60	40	993,40	970,63	20250060	474,00
76	40	1252,00	1229,28	20250076	757,78

MATERIAL **FE / C45**

Ask for specific needs.

CAD drawings available on our site  
[www.chiaravalli.com](http://www.chiaravalli.com)

Quantity, availability and prices  
on B2B Chiaravalli





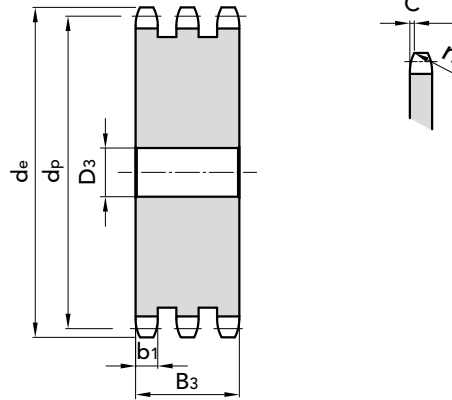
## 2" x 1" 1/4

### PLATEWHEEL

Tooth radius $r_3$	51	mm
Radius width $C$	5	mm
Plate tooth width $B_1$	29,4	mm
Plate tooth width $b_1$	28,8	mm
Plate tooth width $B_2$	87,4	mm
Plate tooth width $B_3$	146	mm

### CHAIN

Pitch	50,8	mm
Inner width	30,99	mm
Roller $\varnothing$	29,21	mm



**PLATEWHEELS 2" x 1" 1/4**  
for roller chains in compliance  
with DIN 8187 - ISO/R 606

### TRIPLE

Z	D <sub>1</sub>	d <sub>e</sub>	d <sub>p</sub>	P. NUMBER	kg.
8	25	153,2	132,69	20350008	8,83
9	25	169,0	148,54	20350009	11,99
10	25	185,0	164,44	20350010	15,63
11	30	200,8	180,34	20350011	19,20
12	30	216,8	196,29	20350012	23,78
13	30	232,8	212,29	20350013	28,83
14	30	248,8	228,29	20350014	34,35
15	30	264,8	244,30	20350015	40,34
16	30	280,9	260,40	20350016	46,47
17	30	296,9	276,40	20350017	53,40
18	30	313,0	292,55	20350018	60,80
19	30	329,1	308,66	20350019	68,68
20	30	345,2	324,71	20350020	77,02
21	40	361,3	340,82	20350021	85,84
22					
23	40	393,6	373,08	20350023	104,88
24					
25	40	425,8	405,33	20350025	125,81
26					
27					
28					
29					
30	40	506,5	486,00	20350030	186,37
32					
35	40	589,5	566,72	20350035	258,69
38	40	635,5	615,14	20350038	307,73
40					
45	40	751,0	728,26	20350045	438,64
50	40	831,8	809,04	20350050	549,27
57	40	945,0	922,17	20350057	716,72
60	40	993,4	970,63	20350060	1006,0
76	40	1252,0	1229,28	20350076	1295,64

MATERIAL **FE / C45**  
Ask for specific needs.

CAD drawings available on our site  
[www.chiaravalli.com](http://www.chiaravalli.com)

Quantity, availability and prices  
on B2B Chiaravalli





PLATEWHEELS ASA 35 pitch 3/8" x 3/16" for roller chains in compliance with DIN 8188 - ISO/R 606 - ANSI B 29.1

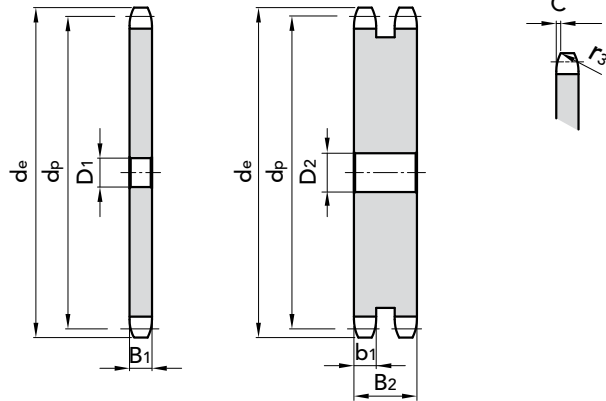
## pitch 3/8" x 3/16" ASA 35

### PLATEWHEEL

Tooth radius $r_3$	10	mm
Radius width $C$	1,2	mm
Plate tooth width $B_1$	4,4	mm
Plate tooth width $b_1$	4,3	mm
Plate tooth width $B_2$	14,4	mm

### CHAIN

Pitch	9,525	mm
Inner width	4,77	mm
Roller $\varnothing$	5,08	mm



### SIMPLE

Z	D <sub>1</sub>	d <sub>e</sub>	d <sub>p</sub>	P. NUMBER	kg.
9	8	31,50	27,85	21103009	0,015
11	8	38,69	33,80	21103011	0,020
12	8	41,68	36,80	21103012	0,029
15					
16	10	53,70	48,82	21103016	0,054
18	10	59,73	54,85	21103018	0,069
20					
22	12	71,81	66,93	21103022	0,107
25					
26	12	83,90	79,02	21103026	0,150
30	12	96,00	91,12	21103030	0,250
32	12	102,06	97,09	21103032	0,290
34	12	108,11	103,23	21103034	0,310
35	12	110,2	105,3	21103035	0,320
36	12	114,2	109,29	21103036	0,340
38	12	120,2	115,34	21103038	0,360
40	12	126,3	121,40	21103040	0,385
42	12	132,0	127,5	21103042	0,410
44	12	138,0	134,0	21103044	0,448
45					
46	16	144,0	140,0	21103046	0,430
48	16	150,5	145,64	21103048	0,540
54	20	165,0	161,0	21103054	0,640
57	20	177,8	172,91	21103057	0,710
72	20	223,0	218,0	21103072	1,195
76					
80	20	247,0	242,0	21103080	1,400
85	25	262,0	257,0	21103085	1,710
90	25	278,0	273,0	21103090	2,000
95	25	293,0	289,0	21103095	2,150
114	25	350,0	346,0	21103114	4,860
120	20	384,0	380,0	21103120	5,420

### DOUBLE

Z	D <sub>1</sub>	d <sub>e</sub>	d <sub>p</sub>	P. NUMBER	kg.
9					
11					
12					
15					
16					
18					
20					
22					
25					
26					
30	12	96,00	91,12	21203030	0,80
32					
34					
35					
36					
38	14	120,22	115,34	21203038	1,00
40					
42					
44	16	138,9	133,5	21203044	1,20
45	16	141,43	136,55	21203045	1,47
46					
48					
54	16	169,3	163,8	21203054	2,162
57	16	177,79	172,91	21203057	2,35
70	16	217,8	212,3	21203070	3,70
72					
76	16	235,37	230,49	21203076	4,10

MATERIAL **FE / C45**

Ask for specific needs.

CAD drawings available on our site  
[www.chiaravalli.com](http://www.chiaravalli.com)

Quantity, availability and prices  
 on B2B Chiaravalli





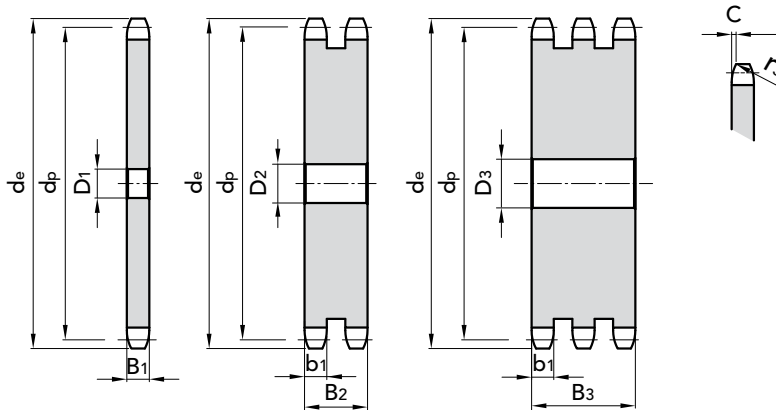
## pitch 1/2" x 5/16" ASA 40

### PLATEWHEEL

Tooth radius $r_3$	13,5	mm
Radius width $\bar{C}$	1,6	mm
Plate tooth width $B_1$	7,4	mm
Plate tooth width $b_1$	7,2	mm
Plate tooth width $B_2$	21,6	mm
Plate tooth width $B_3$	36	mm

### CHAIN

Pitch	12,7	mm
Inner width	7,94	mm
Roller $\varnothing$	7,94	mm



### SIMPLE

Z	D <sub>1</sub>	d <sub>e</sub>	d <sub>p</sub>	P. NUMBER	kg.
8	8	38,00	33,00	21104008	0,035
9					
11					
12					
13	10	59,63	52,68	21104013	0,102
14					
17					
19					
20	12	87,70	81,20	21104020	0,260
21					
22	12	95,80	89,24	21104022	0,315
23	12	99,85	93,05	21104023	0,340
25	14	107,88	101,34	21104025	0,400
26	14	111,94	105,36	21104026	0,500
30					
31					
32					
33	16	140,62	133,4	21104033	0,730
36	16	152,28	145,72	21104036	0,880
37	16	156,30	149,8	21104037	1,045
38	16	160,40	153,79	21104038	1,080
40					
41	20	173,04	165,91	21104041	1,146
42	20	176,50	169,94	21104042	1,200
44	20	185,19	178,0	21104044	1,325
45	20	188,62	181,95	21104045	1,390
46					
48	20	200,70	194,18	21104048	1,588
50	20	209,48	202,3	21104050	1,727
54	20	226,00	219,0	21104054	2,024
57	20	237,10	230,54	21104057	2,210
72	20	207,60	290,2	21104072	3,630
76	20	313,90	307,32	21104076	4,100
80	20	331,00	324,0	21104080	4,489
85	20	350,20	343,7	21104085	5,095
90					
95	20	390,70	384,11	21104095	6,387
114	20	465,00	461	21104114	9,240

### DOUBLE

Z	D <sub>1</sub>	d <sub>e</sub>	d <sub>p</sub>	P. NUMBER	kg.
8					
9					
11					
12	10	41,70	36,80	21204012	0,210
13					
14					
17					
19					
20					
21					
22					
23					
25					
26					
30					
31					
32					
33					
36	20	152,28	145,70	21204036	2,300
37					
38	20	160,40	153,79	21204038	2,780
40	20	168,43	161,87	21204040	3,000
41					
42					
44	20	185,19	178,00	21204044	3,600
45	20	188,62	181,95	21204045	3,900
46					
48					
50	20	209,48	202,30	21204050	4,980
54					
57	25	237,10	230,54	21204057	5,450
72					
76	25	313,90	307,32	21204076	12,00
80					
85					
90					
95	25	390,67	384,11	21204095	22,40
114	25	467,40	461,00	21204114	31,85

### TRIPLE

Z	D <sub>1</sub>	d <sub>e</sub>	d <sub>p</sub>	P. NUMBER	kg.
8					
9					
11					
12					
13					
14					
17					
19					
20	16	128,06	121,50	21304020	1,10
21					
22					
23					
25					
26					
30	20	96,00	91,12	21304030	3,00
31					
32					
33					
36					
37					
38	25	160,40	153,79	21304038	4,00
40	25	176,50	169,94	21304040	4,84
41					
42					
44					
45	25	188,62	181,95	21304045	6,00
46					
48	25	200,70	194,18	21304048	7,00
50	25	209,48	202,30	21304050	8,19
54					
57	25	237,10	230,54	21304057	10,00
72					
76	25	313,90	307,32	21304076	20,00
80					
85					
90					
95					
114					

MATERIAL **FE / C45**

Ask for specific needs.

CAD drawings available on our site  
[www.chiaravalli.com](http://www.chiaravalli.com)

Quantity, availability and prices  
 on B2B Chiaravalli



PLATEWHEELS ASA 40 pitch 1/2" x 5/16" for roller chains in compliance with DIN 8188 - ISO/R 606 - ANSI B 29.1



PLATEWHEELS ASA 50 pitch 5/8" x 3/8" for roller chains in compliance with DIN 8188 - ISO/R 606 - ANSI B 29.1

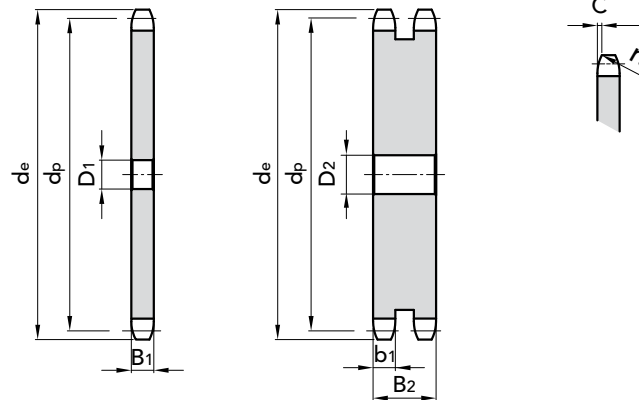
### pitch 5/8" x 3/8"

#### PLATEWHEEL

Tooth radius $r_3$	17	mm
Radius width $C$	2	mm
Plate tooth width $B_1$	9	mm
Plate tooth width $b_1$	8,8	mm
Plate tooth width $B_2$	26,9	mm
Plate tooth width $B_3$	45	mm

#### CHAIN

Pitch	15,875	mm
Inner width	9,52	mm
Roller $\varnothing$	10,16	mm



#### SIMPLE

#### DOUBLE

Z	D <sub>1</sub>	d <sub>e</sub>	d <sub>p</sub>	P. NUMBER	kg.	Z	D <sub>1</sub>	d <sub>e</sub>	d <sub>p</sub>	P. NUMBER	kg.	Z	D <sub>1</sub>	d <sub>e</sub>	d <sub>p</sub>	P. NUMBER	kg.	Z	D <sub>1</sub>	d <sub>e</sub>	d <sub>p</sub>	P. NUMBER	kg.	
8	10	47,0	41,48	20115008	0,06	44	20	230,0	222,53	20115044	2,63	8						44						
9	10	52,6	46,42	20115009	0,09	45	20	235,0	227,58	20115045	2,75	9						45	20	235,00	227,58	21205045	7,27	
10	10	57,5	51,37	20115010	0,11	46	20	240,1	232,63	20115046	2,88	10						46						
11	10	63,0	56,34	20115011	0,14	47	20	245,1	237,68	20115047	3,01	11						47						
12	10	68,0	61,34	20115012	0,17	48	20	250,2	242,73	20115048	3,14	12	14	68,00	61,34	21205012	0,40	48						
13	10	73,0	66,32	20115013	0,20	49	20	255,2	247,78	20115049	3,28	13	14	73,00	66,32	21205013	0,60	49						
14	10	78,0	71,34	20115014	0,23	50	20	260,3	252,82	20115050	3,42	14						50						
15	10	83,0	76,36	20115015	0,27	51	20	265,3	257,87	20115051	3,56	15						51						
16	12	88,0	81,37	20115016	0,31	52	20	270,4	262,92	20115052	3,70	16	16	88,00	81,37	21205016	0,80	52						
17	12	93,0	86,39	20115017	0,36	53	20	275,4	267,97	20115053	3,85	17						53						
18	12	98,0	91,42	20115018	0,41	54	20	280,5	273,03	20115054	4,00	18						54						
19	12	103,3	96,45	20115019	0,46	55	20	285,5	278,08	20115055	4,15	19						55						
20	12	108,4	101,49	20115020	0,51	56	25	290,6	283,13	20115056	4,30	20						56						
21	12	113,4	106,52	20115021	0,57	57	25	296,0	288,18	20115057	4,46	21						57	25	296,00	288,18	21205057	13,00	
22	12	118,0	111,55	20115022	0,62	58	25	300,7	293,23	20115058	4,62	22						58						
23	12	123,4	116,58	20115023	0,69	59	25	305,7	298,27	20115060	4,80	23	16	123,40	116,58	21205023	1,10	59						
24	12	128,3	121,62	20115024	0,75	60	25	310,8	303,32	20115062	4,95	24						60						
25	12	134,0	126,66	20115025	0,82	62	25	321,4	313,43	20115064	5,30	25						62						
26	16	139,0	131,70	20115026	0,88	64	25	331,5	323,53	20115065	5,65	26	16	139,00	131,70	21205026	2,30	64						
27	16	144,0	136,75	20115027	0,95	65	25	336,5	328,58	20115068	5,83	27	16	144,00	136,75	21205027	2,60	65						
28	16	148,7	141,78	20115028	1,03	66	25	341,6	333,63	20115070	6,00	28						66						
29	16	153,8	146,83	20115029	1,11	68	25	351,7	343,74	20115072	6,40	29						68						
30	16	158,8	151,87	20115030	1,19	70	25	361,8	353,84	20115075	6,79	30	20	158,80	151,87	21205030	3,27	70						
31	16	163,9	156,92	20115031	1,28	72	25	371,9	363,95	20115076	7,19	31						72	25	371,90	363,95	21205072	20,60	
32	16	168,9	161,95	20115032	1,36	75	25	387,1	379,09	20115078	7,81	32						75						
33	16	174,5	167,00	20115033	1,45	76	25	392,1	384,16	20115080	8,02	33						76	25	392,10	384,16	21205076	22,00	
34	16	179,0	172,05	20115034	1,55	78	25	402,2	394,25	20115085	8,46	34						78						
35	16	184,1	177,10	20115035	1,64	80	25	412,3	404,35	20115090	8,91	35						80						
36	20	189,1	182,15	20115036	1,73	85	30	437,6	429,62	20115095	10,06	36						85						
37	20	194,2	187,20	20115037	1,83	90	30	462,8	454,88	20115100	11,30	37						90						
38	20	199,2	192,24	20115038	1,94	95	30	488,5	480,14	20115110	12,61	38	20	199,20	192,24	21205038	5,30	95						
39	20	104,2	197,29	20115039	2,05	100	30	513,4	505,39	20115114	13,99	39						100						
40	20	209,3	202,34	20115040	2,16	110	30	563,9	555,92	20115120	17,00	40						110						
41	20	214,8	207,39	20115041	2,29	114	30	584,1	576,13	20115125	19,99	41						114						
42	20	219,9	212,44	20115042	2,39	120	30	614,4	606,45	20115008	22,17	42						120						
43	20	224,9	217,49	20115043	2,50	125	30	639,7	631,51	20115009	24,08	43						125						

MATERIAL **FE / C45**

Ask for specific needs.

CAD drawings available on our site  
[www.chiaravalli.com](http://www.chiaravalli.com)

Quantity, availability and prices  
 on B2B Chiaravalli







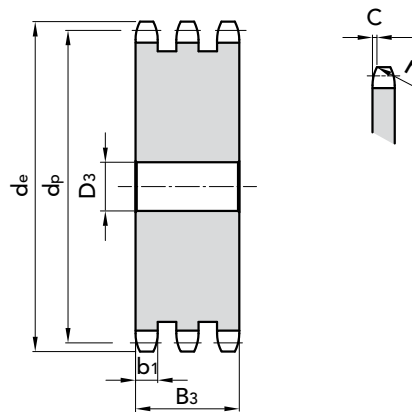
pitch 5/8" x 3/8"

### PLATEWHEEL

Tooth radius $r_3$	17	mm
Radius width $\check{C}$	2	mm
Plate tooth width $B_1$	9	mm
Plate tooth width $b_1$	8,8	mm
Plate tooth width $B_2$	26,9	mm
Plate tooth width $B_3$	45	mm

### CHAIN

Pitch	15,875	mm
Inner width	9,52	mm
Roller $\varnothing$	10,16	mm



### TRIPLE

Z	D <sub>1</sub>	d <sub>e</sub>	d <sub>p</sub>	P. NUMBER	kg.	Z	D <sub>1</sub>	d <sub>e</sub>	d <sub>p</sub>	P. NUMBER	kg.
8						44	25	230,0	222,53	21305044	13,00
9						45	25	235,0	227,58	21305045	15,00
10						46					
11						47					
12						48					
13						49					
14						50	25	260,3	252,82	21305050	16,03
15						51					
16						52					
17						53					
18						54					
19						55					
20						56					
21						57	25	296,0	288,18	21305057	20,95
22						58					
23						59					
24						60					
25	20	134,0	126,66	21305025	3,7	62					
26						64					
27						65					
28						66					
29						68					
30	20	158,8	151,87	21305030	5,00	70					
31						72					
32	20	168,9	161,95	21305032	6,10	75					
33						76	30	392,1	384,16	21305076	25,00
34						78					
35						80					
36						85					
37						90					
38	25	199,2	192,24	21305038	8,90	95					
39						100					
40						110					
41	25	214,8	207,39	21305041	10,67	114					
42	25	219,9	212,44	21305042	12,00	120					
43						125					

MATERIAL **FE / C45**

Ask for specific needs.

CAD drawings available on our site  
[www.chiaravalli.com](http://www.chiaravalli.com)

Quantity, availability and prices  
 on B2B Chiaravalli



PLATEWHEELS ASA 50 pitch 5/8" x 3/8" for roller chains in compliance with DIN 8188 - ISO/R 606 - ANSI B 29.1



PLATEWHEELS ASA 60 pitch 3/4" x 1/2" for roller chains in compliance with DIN 8188 - ISO/R 606 - ANSI B 29.1

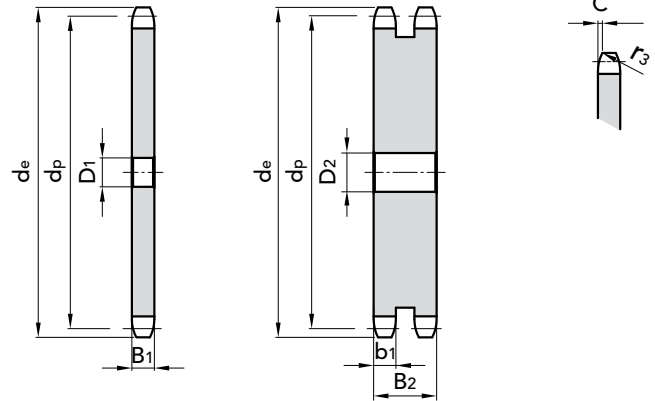
pitch 3/4" x 1/2"

### PLATEWHEEL

Tooth radius $r_3$	20	mm
Radius width $C$	2,4	mm
Plate tooth width $B_1$	12,0	mm
Plate tooth width $b_1$	11,8	mm
Plate tooth width $B_2$	34,6	mm
Plate tooth width $B_3$	57,4	mm

### CHAIN

Pitch	19,05	mm
Inner width	12,7	mm
Roller $\varnothing$	11,91	mm



### SIMPLE

### DOUBLE

Z	D <sub>1</sub>	d <sub>e</sub>	d <sub>p</sub>	P. NUMBER	kg.	Z	D <sub>1</sub>	d <sub>e</sub>	d <sub>p</sub>	P. NUMBER	kg.
8						8					
9	10	64,0	55,0	21106009	0,167	9					
10	12	71,54	61,65	21106010	0,210	10	16	71,54	61,65	21206010	0,50
11						11					
12	12	83,5	73,6	21106012	0,314	12					
13	14	89,6	79,6	21106013	0,375	13					
14	14	95,5	85,7	21106014	0,440	14					
15						15	16	101,52	91,12	21206015	1,31
16						16					
17	16	113,6	103,7	21106017	0,670	17					
18						18					
21						21	20	137,11	127,46	21206021	2,84
26						26					
27						27					
28						28	20	180,03	170,1	21206028	4,00
30						30					
31	20	196,7	188,3	21106031	2,350	31					
32						32					
33	20	208,9	200,5	21106033	2,600	33					
34	20	204,7	206,7	21106034	2,840	34					
38	20	240,6	230,69	21106038	3,200	38	25	240,60	230,69	21206038	10,60
40	20	252,7	242,80	21106040	3,950	40	25	252,70	242,80	21206040	11,20
42	25	265	255	21106042	4,350	42					
44	25	277,2	267,3	21106044	4,800	44					
45						45	25	282,98	273,09	21206045	14,20
46	25	289,4	279,3	21106046	5,240	46					
48	25	301,2	291,27	21106048	5,770	48					
57	25	355,7	345,81	21106057	8,010	57	25	355,70	345,81	21206057	23,65
72	30	447	437	21106072	13,09	72					
76	30	470,87	460,98	21106076	14,62	76	30	470,87	460,98	21206076	45,00
						90					
						95	30	586,06	576,17	21206095	66,90

MATERIAL **FE / C45**

Ask for specific needs.

CAD drawings available on our site  
[www.chiaravalli.com](http://www.chiaravalli.com)

Quantity, availability and prices  
 on B2B Chiaravalli





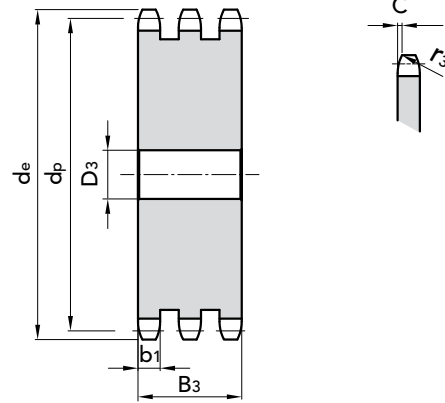
pitch 3/4" x 1/2"

### PLATEWHEEL

Tooth radius $r_3$	20	mm
Radius width $\check{C}$	2,4	mm
Plate tooth width $B_1$	12,0	mm
Plate tooth width $b_1$	11,8	mm
Plate tooth width $B_2$	34,6	mm
Plate tooth width $B_3$	57,4	mm

### CHAIN

Pitch	19,05	mm
Inner width	12,7	mm
Roller $\varnothing$	11,91	mm



### TRIPLE

Z D<sub>1</sub> d<sub>e</sub> d<sub>p</sub> P. NUMBER kg.

13	16	89,60	79,60	21306013	1,00
14	16	95,5	85,70	21306014	1,91
18	20	119,60	109,71	21306018	3,31
19					
20	20	131,67	121,78	21306020	4,00
21	20	137,11	127,46	21306021	5,00
22	20	142,21	133,86	21306022	6,00
30	20	192,14	182,25	21306030	10,0
32					
38	25	240,6	230,69	21306038	13,00
40					
45	25	282,98	273,09	21306045	24,00
48	25	301,2	291,27	21306048	26,00
57	30	355,70	345,81	21306057	37,57
76	30	470,87	460,98	21306076	70,32
95					

MATERIAL **FE / C45**

Ask for specific needs.

CAD drawings available on our site  
[www.chiaravalli.com](http://www.chiaravalli.com)

Quantity, availability and prices  
 on B2B Chiaravalli



PLATEWHEELS ASA 60 pitch 3/4" x 1/2" for roller chains in compliance with DIN 8188 - ISO/R 606 - ANSI B 29.1



PLATEWHEELS ASA 80 pitch 1" x 5/8" for roller chains in compliance with DIN 8188 - ISO/R 606 - ANSI B 29.1

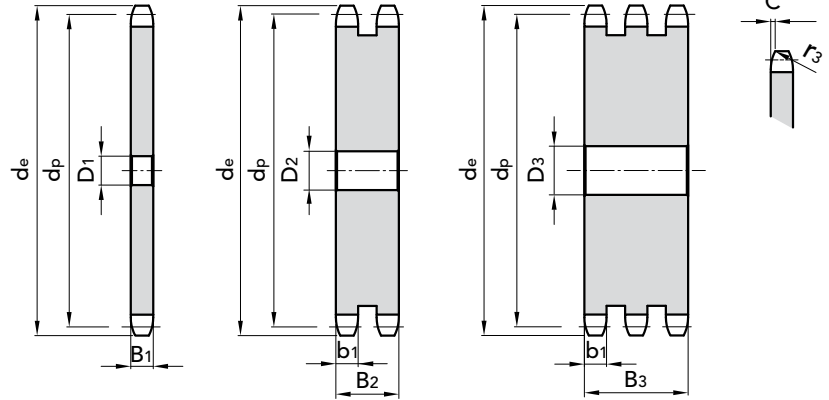
pitch 1" x 5/8"

**PLATEWHEEL**

Tooth radius $r_3$	27	mm
Radius width $\overset{\frown}{C}$	3,2	mm
Plate tooth width $B_1$	15,0	mm
Plate tooth width $b_1$	14,7	mm
Plate tooth width $B_2$	44,0	mm
Plate tooth width $B_3$	73,3	mm

**CHAIN**

Pitch	25,4	mm
Inner width	15,88	mm
Roller $\varnothing$	15,88	mm



SIMPLE						DOUBLE						TRIPLE					
Z	D <sub>1</sub>	d <sub>e</sub>	d <sub>p</sub>	P. NUMBER	kg.	Z	D <sub>1</sub>	d <sub>e</sub>	d <sub>p</sub>	P. NUMBER	kg.	Z	D <sub>1</sub>	d <sub>e</sub>	d <sub>p</sub>	P. NUMBER	kg.
9	15	85,8	82,19	21108009	0,30	9						9					
10	15	95,3	82,79	21108010	0,40	10						10					
11	15	103,3	90,14	21108011	0,60	11						11					
12	15	111,3	98,14	21108012	0,68	12						12					
13	15	119,3	106,12	21108013	0,75	13	20	119,26	106,12	21208013	2,00	13					
14	15	127,3	114,15	21108014	0,98	14	20	127,27	114,15	21208014	2,59	14					
15	15	135,3	122,17	21108015	1,10	15	20	135,29	122,17	21208015	3,50	15	25	135,3	122,17	21308015	4,90
16	19	143,3	130,20	21108016	1,35	16						16					
17	19	151,4	138,22	21108017	1,49	17						17					
18	19	159,4	146,28	21108018	1,90	18						18					
19	19	167,4	154,33	21108019	2,00	19						19					
20	19	175,5	162,38	21108020	2,25	20						20					
21	20	183,5	170,43	21108021	2,60	21						21					
22	20	191,6	178,48	21108022	2,90	22						22					
23	20	199,7	186,53	21108023	3,10	23						23					
24	20	207,7	194,59	21108024	3,30	24						24					
25	20	215,8	202,66	21108025	3,50	25	25	215,78	202,66	21208025	9,20	25	30	215,8	202,66	21308025	15,20
26	20	223,8	210,72	21108026	3,70	26						26	30	223,8	210,72	21308026	16,00
27	20	231,9	218,79	21108027	3,93	27						27	30	231,9	218,79	21308027	18,00
28	20	240,0	226,85	21108028	4,20	28						28					
29						29						29					
30	20	256,1	243,00	21108030	4,60	30	25	256,12	243,00	21208030	13,85	30	30	256,1	243,00	21308030	27,63
31						31						31					
32	25	272,26	259,13	21108032	5,50	32	25	272,26	259,13	21208032	15,80	32					
34						34	25	286,9	275,28	21208034	17,00	34					
35	25	296,48	283,36	21108035	7,00	35						35					
38	25	320,70	307,59	21108038	8,00	38	25	320,70	307,59	21208038	22,77	38	30	320,70	307,59	21308038	37,70
39	25	327,2	315,6	21108039	8,70	39						39					
41						41						41					
45	25	377,24	364,12	21108045	12,00	45	25	377,24	364,12	21208045	32,50	45	30	335,3	323,73	21308040	41,80
48						48	25	402,1	388,36	21208048	38,00	48	30	377,24	364,12	21308045	53,63
50	25	417,64	404,52	21108050	14,00	50						50					
54						54						54					
57	25	474,20	461,08	21108057	22,00	57	25	474,20	461,08	21208057	52,75	57	40	474,20	461,08	21308057	80,00
72						72						72					
76	25	627,80	614,64	21108076	30,00	76	25	627,80	614,64	21208076	90,00	76	40	627,80	614,64	21308076	160,00
80	30	660,7	646,96	21108080	34,00	80						80					
90						90	30	741,6	727,81	21208090	135,00	90					

MATERIAL **FE / C45**

Ask for specific needs.

CAD drawings available on our site  
[www.chiaravalli.com](http://www.chiaravalli.com)

Quantity, availability and prices  
 on B2B Chiaravalli





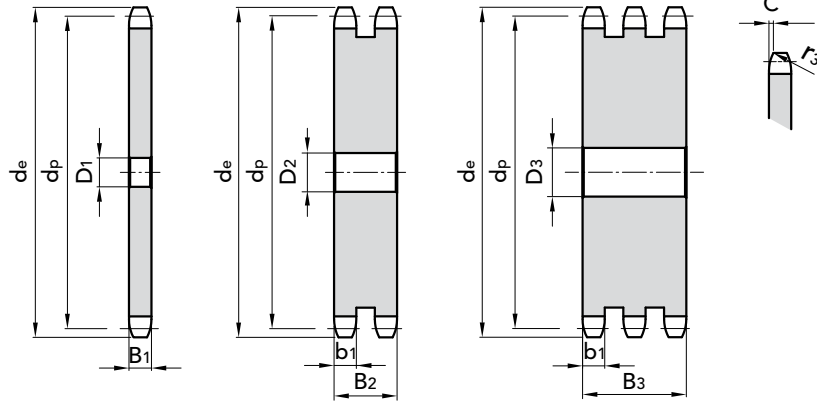
pitch 1" 1/4 x 3/4"

### PLATEWHEEL

Tooth radius $r_3$	33,5	mm
Radius width $\bar{C}$	4	mm
Plate tooth width $B_1$	18,0	mm
Plate tooth width $b_1$	17,7	mm
Plate tooth width $B_2$	53,5	mm
Plate tooth width $B_3$	89,2	mm

### CHAIN

Pitch	31,75	mm
Inner width	19,05	mm
Roller $\varnothing$	19,05	mm



SIMPLE					
Z	D <sub>1</sub>	d <sub>e</sub>	d <sub>p</sub>	P. NUMBER	kg.
8	16	98,10	82,96		
9	16	108,0	92,84		
10	16	117,9	102,74	21110010	1,29
11	16	127,8	112,68		
12	20	137,8	122,68	21110012	2,00
13	20	147,8	132,65		
14	20	157,8	142,68		
15	20	167,9	152,72	21110015	2,30
16	25	177,9	162,75		
17	25	187,9	172,78		
18	25	198,0	182,85		
19	25	208,1	192,91		
20	25	218,1	202,95	21110020	4,50
21	25	228,2	213,04		
22	25	238,3	223,11	21110022	4,76
23	25	248,3	233,17		
24	25	258,4	243,23	21110024	5,61
25	25	268,5	253,33	21110025	6,05
26	25	278,6	263,40		
27	25	289,6	273,40		
28	25	299,7	283,56	21110028	7,00
29	25	309,8	293,65		
30	25	319,9	303,75	21110030	9,45
31					
32	25	340,1	323,91	21110032	10,25
33					
34					
35	25	370,4	354,20	21110035	16,00
36					
37					
38	25	400,6	384,49	21110038	18,00
39					
40					
42					
45	30	471,3	455,17	21110045	21,45
50					
57	30	592,5	576,36	21110057	25,00

DOUBLE					
Z	D <sub>1</sub>	d <sub>e</sub>	d <sub>p</sub>	P. NUMBER	kg.
8					
9					
10					
11					
12					
13					
14					
15					
16					
17					
18					
19					
20					
21					
22					
23					
24	25	258,40	243,23	21210024	16,50
25	25	268,50	253,33	21210025	18,00
26					
27					
28					
29					
30	25	319,9	303,75	21210030	27,00
31					
32					
33					
34					
35					
36					
37					
38	30	400,6	384,49	21210038	35,00
39					
40					
42	30	440,8	424,88	21210042	45,00
45	30	471,3	455,17	21210045	62,15
50					
57	30	592,5	576,36	21210057	102,00

TRIPLE					
Z	D <sub>1</sub>	d <sub>e</sub>	d <sub>p</sub>	P. NUMBER	kg.
8					
9					
10					
11					
12	20	137,8	122,68	21310012	5,65
13					
14	30	157,8	142,68	21310014	8,00
15	25	167,9	152,72	21310015	9,61
16					
17					
18					
19	25	208,1	192,91	21310019	16,08
20					
21					
22					
23					
24					
25	25	268,5	253,33	21310025	20,00
26					
27					
28					
29					
30	25	319,9	303,75	21310030	43,96
31					
32					
33					
34					
35					
36					
37					
38					
39					
40	30	420,8	404,68	21310040	65,00
42					
45					
50					
57					

MATERIAL FE / C45

Ask for specific needs.

CAD drawings available on our site  
[www.chiaravalli.com](http://www.chiaravalli.com)

Quantity, availability and prices  
 on B2B Chiaravalli



PLATEWHEELS ASA 100 pitch 1" 1/4 x 3/4" for roller chains in compliance with DIN 8188 - ISO/R 606 - ANSI B 29.1



PLATEWHEELS ASA 120 pitch 1" 1/2 x 1" for roller chains in compliance with DIN 8188 - ISO/R 606 - ANSI B 29.1

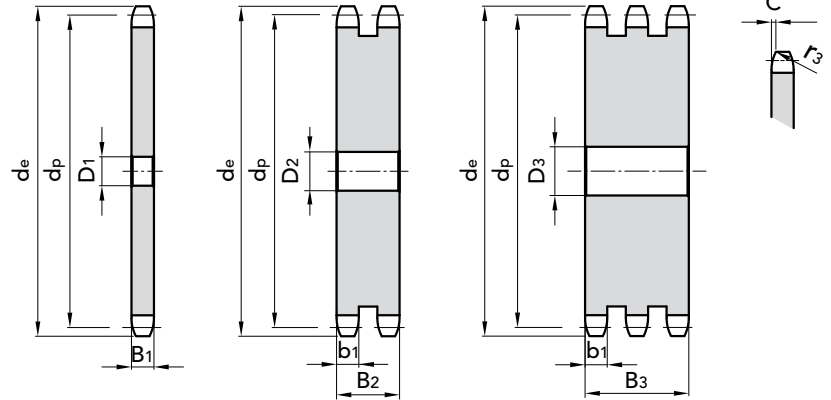
## pitch 1" 1/2 x 1"

### PLATEWHEEL

Tooth radius $r_3$	40,5	mm
Radius width $C$	4,8	mm
Plate tooth width $B_1$	24,1	mm
Plate tooth width $b_1$	23,6	mm
Plate tooth width $B_2$	69,0	mm

### CHAIN

Pitch	38,1	mm
Inner width	25,4	mm
Roller $\varnothing$	22,22	mm



### SIMPLE

### DOUBLE

Z	D <sub>1</sub>	d <sub>e</sub>	d <sub>p</sub>	P. NUMBER	kg.
8					
9					
10					
11					
13					
14					
16	25	214,77	195,29	21112016	4,70
17	25	226,83	207,35	21112017	5,30
18	25	238,89	219,41	21112018	6,00
19					
20	25	263,03	243,55	21112020	7,70
21					
22					
23					
24					
25	25	323,47	303,99	21112025	12,02
30	30	383,97	364,49	21112030	17,50
32	30	408,19	388,71	21112032	20,60
35					
38	30	480,85	461,37	21112038	28,00
41	30	513,5	497,74	21112041	33,85
42					
45	30	565,67	546,19	21112045	42,00
54	30	671	655,25	21112054	72,00
57					
76	40	931	921,98	21112076	120,00

Z	D <sub>1</sub>	d <sub>e</sub>	d <sub>p</sub>	P. NUMBER	kg.
8					
9					
10	25	142,77	123,29	21212010	6,00
11					
13					
14	25	190,7	171,22	21212014	8,00
16					
17	25	226,83	207,35	21212017	14,37
18	25	238,89	219,41	21212018	16,30
19					
20	25	263,03	243,55	21212020	20,00
21	25	270,6	255,65	21212021	23,75
22					
23	25	294,8	279,8	21212023	29,03
24	25	306,8	291,88	21212024	32,90
25	25	323,47	303,99	21212025	33,50
30	30	383,97	364,49	21212030	49,10
32					
35					
38	30	480,85	461,37	21212038	81,45
41					
42					
45	40	565,67	546,19	21212045	115,00
54					
57	40	711,1	691,62	21212057	188,90
76					

CAD drawing available on our site [www.chiaravalli.com](http://www.chiaravalli.com)

MATERIAL **FE / C45**  
Ask for specific needs.

All eliminated teeth are available subject to availability.

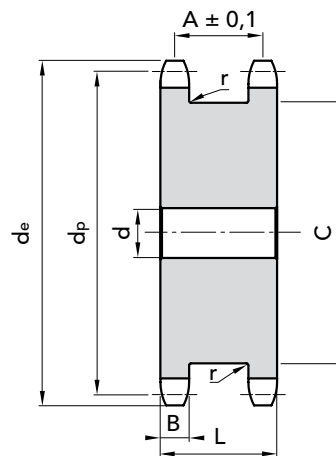
On demand we can manufacture ASA sprockets and pitches not shown on this catalogue.

Quantity, availability and prices on B2B Chiaravalli





MATERIAL **C45 UNI 7845**



PICH	Z	P. NUMBER	de	dp	d	A	B h14	C max	L	r	Kg
------	---	-----------	----	----	---	---	-------	-------	---	---	----

**3/8" x 7/32"**  
**R. 6.35**  
**06 B-1**

13	23209013	43,45	39,8	10	20,3	5,3	28	25,5	0,4	0,14
15	23209015	49,46	45,81	10	20,3	5,3	34	25,5	0,4	0,20
17	23209017	55,49	51,84	12	20,3	5,3	40	25,5	0,4	0,26
18	23209018	58,50	54,85	12	20,3	5,3	43	25,5	0,4	0,30
19	23209019	61,52	57,87	12	20,3	5,3	46	25,5	0,4	0,34
20	23209020	54,3	60,89	12	20,3	5,3	49	25,5	0,4	0,38
21	23209021	67,56	63,91	15	20,3	5,3	52	25,5	0,4	0,43
23	23209023	73,6	69,95	15	20,3	5,3	59	25,5	0,4	0,54
25	23209025	79,65	76	15	20,3	5,3	65	25,5	0,4	0,65

**1/2" x 5/16"**  
**R. 8.51**  
**08 B-1**

13	23212013	57,40	53,06	12	24,8	7,2	37	32	0,6	0,27
15	23212015	65,57	61,08	12	24,8	7,2	45	32	0,6	0,47
17	23212017	73,61	69,11	12	24,8	7,2	53	32	0,6	0,64
18	23212018	77,8	73,14	12	24,8	7,2	57	32	0,6	0,73
19	23212019	81,65	77,16	12	24,8	7,2	62	32	0,6	0,84
20	23212020	85,8	81,19	12	24,8	7,2	65	32	0,6	0,93
21	23212021	89,7	85,21	15	24,8	7,2	70	32	0,6	1,03
23	23212023	98,02	93,27	15	24,8	7,2	78	32	0,6	1,28
25	23212025	105,82	101,33	15	24,8	7,2	86	32	0,6	1,54

**5/8" x 3/8"**  
**R. 10.16**  
**10 B-1**

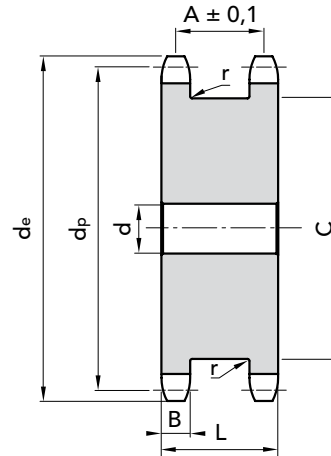
13	23215013	73,17	66,33	15	27,9	9,1	48	37	0,6	0,62
15	23215015	83,19	76,35	15	27,9	9,1	58	37	0,6	0,87
17	23215017	93,23	86,39	15	27,9	9,1	68	37	0,6	1,17
18	23215018	93,26	91,42	15	27,9	9,1	72	37	0,6	1,34
19	23215019	103,29	96,45	15	27,9	9,1	79	37	0,6	1,49
20	23215020	108,4	101,49	19	27,9	9,1	82	37	0,6	1,68
21	23215021	113,35	106,51	19	27,9	9,1	89	37	0,6	1,88
23	23215023	123,43	116,59	19	27,9	9,1	99	37	0,6	2,3
25	23215025	133,5	126,66	19	27,9	9,1	109	37	0,6	2,77

MATERIAL **C45 UNI 7845**



CAD drawings available on our site  
[www.chiaravalli.com](http://www.chiaravalli.com)

Quantity, availability and prices  
on B2B Chiaravalli

MATERIAL **C45 UNI 7845**

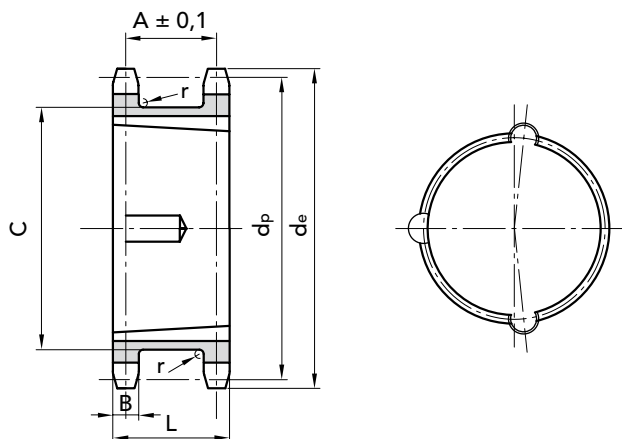
PICH	Z	P. NUMBER	de	dp	d	A	B h14	C max	L	r	Kg
<b>3/4" x 7/16"</b> <b>R. 12.07</b> <b>12 B-1</b>	13	23219013	87,13	76,9	20	33,9	11,1	59	45	0,6	0,91
	15	23219015	99,16	91,63	20	33,9	11,1	71	45	0,6	1,30
	17	23219017	111,2	103,67	20	33,9	11,1	83	45	0,6	2,12
	18	23219018	117,23	109,71	20	33,9	11,1	88	45	0,6	2,42
	19	23219019	123,27	115,74	20	33,9	11,1	95	45	0,6	2,75
	20	23219020	129,31	121,78	20	33,9	11,1	101	45	0,6	3,09
	21	23219021	135,35	127,82	20	33,9	11,1	107	45	0,6	3,42
	23	23219023	147,43	139,9	20	33,9	11,1	119	45	0,6	4,21
	25	23219025	159,52	151,99	24	33,9	11,1	131	45	0,6	5,07
<b>1" x 17.02</b> <b>R. 15.88</b> <b>16 B-1</b>	13	23225013	117,26	106,14	24	47,8	16,2	78	64	0,8	3,14
	15	23225015	133,29	122,17	24	47,8	16,2	95	64	0,8	4,44
	17	23225017	149,35	138,23	24	47,8	16,2	111	64	0,8	5,09
	18	23225018	157,39	146,28	24	47,8	16,2	119	64	0,8	5,90
	19	23225019	165,44	154,32	24	47,8	16,2	127	64	0,8	6,70
	20	23225020	173,49	162,38	24	47,8	16,2	135	64	0,8	7,53
	21	23225021	181,54	170,42	24	47,8	16,2	143	64	0,8	9,48
	23	23225023	197,66	186,54	24	47,8	16,2	160	64	0,8	10,0
	25	23225025	213,78	202,66	24	47,8	16,2	176	64	0,8	11,0

MATERIAL **C45 UNI 7845**CAD drawings available on our site  
[www.chiaravalli.com](http://www.chiaravalli.com)Quantity, availability and prices  
on B2B Chiaravalli





## TAPER LOCK® WITHOUT TAPER BUSH



DOUBLE PLATEWHEELS FOR TWO SIMPLE CHAIN TAPER LOCK®

2

PICH	Z	P. NUMBER	bush	de	dp	A	B h14	C max	L	r	Kg
1/2" x 5/16" R. 8.51 08 B-1	15	27212015	1008	65,57	61,08	24,8	7,2	45	32	0,6	0,47
	17	27212017	1210	73,61	69,12	24,8	7,2	53	32	0,6	0,64
	18	27212018	1210	78	73,14	24,8	7,2	57	32	0,6	0,73
	19	27212019	1210	81,65	77,16	24,8	7,2	62	32	0,6	0,84
	20	27212020	1610	86	81,19	24,8	7,2	65	32	0,6	0,93
	21	27212021	1610	89,7	85,21	24,8	7,2	70	32	0,6	1,03
	23	27212023	1610	97,76	93,27	24,8	7,2	78	32	0,6	1,28
	25	27212025	2012	105,82	101,33	24,8	7,2	86	32	0,6	1,54
30	27212030	2012	125,99	121,5	24,8	7,2	106	32	0,6	1,96	
5/8" x 3/8R. 10.16 10 B-1	15	27215015	1210	83,19	76,35	27,9	9,1	58	37	0,6	0,87
	17	27215017	1610	93,23	86,39	27,9	9,1	68	37	0,6	1,17
	18	27215018	1610	98,3	91,42	27,9	9,1	72	37	0,6	1,34
	19	27215019	1610	103,29	96,45	27,9	9,1	79	37	0,6	1,49
	20	27215020	1610	108,4	101,49	27,9	9,1	82	37	0,6	1,68
	21	27215021	1610	113,35	106,51	27,9	9,1	89	37	0,6	1,88
	23	27215023	1610	123,43	116,59	27,9	9,1	99	37	0,6	2,30
	25	27215025	2012	133,5	126,66	27,9	9,1	109	37	0,6	2,77
	30	27215030	2012	158,71	151,87	27,9	9,1	135	37	0,6	3,20

MATERIAL C45 UNI 7845

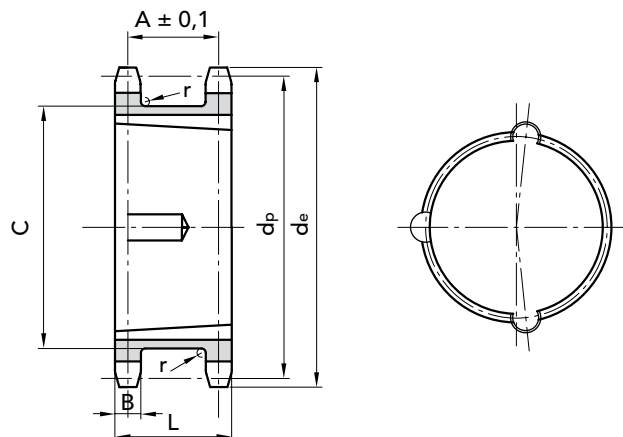
CAD drawings available on our site  
[www.chiaravalli.com](http://www.chiaravalli.com)

Quantity, availability and prices  
on B2B Chiaravalli





## TAPER LOCK® WITHOUT TAPER BUSH



PICH	Z	P. NUMBER	bush	de	dp	A	B h14	C max	L	r	Kg
3/4" x 7/16" R. 12.07 12 B-1	15	27219015	1610	99,16	91,63	33,9	11,1	71	45	0,6	1,33
	17	27219017	1610	111,2	103,67	33,9	11,1	83	45	0,6	2,12
	18	27219018	2012	118	109,71	33,9	11,1	88	45	0,6	2,42
	19	27219019	2012	123,27	115,74	33,9	11,1	95	45	0,6	2,75
	20	27219020	2517	129,7	121,78	33,9	11,1	101	45	0,6	3,09
	21	27219021	2517	135,35	127,82	33,9	11,1	107	45	0,6	3,42
	23	27219023	2517	147,43	139,9	33,9	11,1	119	45	0,6	4,21
	25	27219025	2517	159,52	151,99	33,9	11,1	131	45	0,6	5,07
30	27219030	2517	189,8	182,25	33,9	11,1	162	45	0,6	6,5	
1" x 17.02 R. 15.88 16 B-1	15	27225015	2012	133,29	122,17	47,8	16,2	95	64	0,8	4,44
	17	27225017	2517	149,35	138,23	47,8	16,2	111	64	0,8	5,09
	18	27225018	2517	157,39	146,28	47,8	16,2	119	64	0,8	5,90
	19	27225019	2517	165,44	154,32	47,8	16,2	127	64	0,8	6,70
	20	27225020	2517	173,49	162,38	47,8	16,2	135	64	0,8	7,53
	21	27225021	3020	181,54	170,42	47,8	16,2	143	64	0,8	9,48
	23	27225023	3020	197,66	186,54	47,8	16,2	160	64	0,8	10,0
	25	27225025	3020	213,78	202,66	47,8	16,2	176	64	0,8	11,0
	30	27225030	3020	254,10	243	47,8	16,2	216	64	0,8	13,0

MATERIAL **C45 UNI 7845**

CAD drawings available on our site  
[www.chiaravalli.com](http://www.chiaravalli.com)

Quantity, availability and prices  
on B2B Chiaravalli





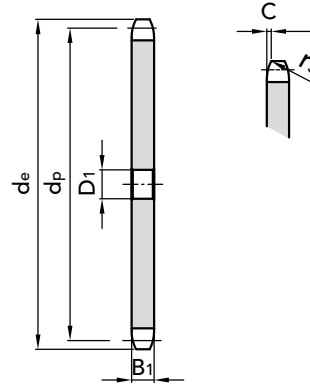
## PLATEWHEELS P50 R 25 - 31

### CHAIN

Pitch	50	mm
Inner width	11,5	mm
Roller Ø	25	mm
Plate thickness B <sub>1</sub>	10,5	mm

### CHAIN

Pitch	50	mm
Inner width	15	mm
Roller Ø	31	mm
Plate thickness B <sub>1</sub>	13,8	mm



### ROLLER 25

Z	D <sub>1</sub>	P. NUMBER	d <sub>e</sub>	d <sub>p</sub>	kg.
6	20	24502506	115	100	0,55
7	20	24502507	132,7	115,24	0,76
8	20	24502508	148,1	130,6	0,92
9	20	24502509	163,7	146,2	1,30
10	25	24502510	179,3	161,85	1,45
11	25	24502511	195	177,5	1,94
12	25	24502512	211	193,2	2,01
13	30	24502513	226,4	208,95	2,33
14	30	24502514	242,2	224,7	3,06
15	30	24502515	257,9	240,45	3,80
16	30	24502516	273,8	256,3	4,00
17	30	24502517	289,5	272,05	4,20
18	30	24502518	305,4	287,95	5,10
19	30	24502519	321,3	303,8	6,00
20	30	24502520	337,1	319,6	6,45
21	30	24502521	352,9	335,45	6,89
22					
23					
24	30	24502524	400	383,05	9,07
25	30	24502525	416,4	398,95	9,97
26	30	24502526	432,3	414,8	12,06
27	30	24502527	448,2	430,7	12,88
28	30	24502528	464	446,55	13,83
30	30	24502530	495,8	478,35	14,32
32					
35					
38	30	24502538	622,9	605,45	21,50

### ROLLER 31

Z	D <sub>1</sub>	P. NUMBER	d <sub>e</sub>	d <sub>p</sub>	kg.
6	20	24503106	116,2	100,00	0,75
7	20	24503107	133,8	115,24	1,00
8	20	24503108	152,3	130,60	1,10
9	20	24503109	167,9	146,20	1,71
10	25	24503110	183,5	161,85	2,02
11	25	24503111	199,2	177,50	2,31
12	25	24503112	212,0	193,20	2,50
13	30	24503113	230,6	208,95	2,98
14	30	24503114	246,4	224,70	4,05
15	30	24503115	262,1	240,45	4,90
16	30	24503116	278,0	256,30	5,04
17					
18	30	24503118	309,6	287,95	6,90
19	30	24503119	325,5	303,80	6,85
20	30	24503120	341,3	319,60	8,06
21	30	24503121	357,1	335,45	8,80
22	30	24503122	373,0	351,35	9,90
23	30	24503123	388,9	367,20	10,06
24	30	24503124	404,7	383,05	11,25
25	30	24503125	419,7	398,95	12,30
26	30	24503126	436,5	414,80	14,11
27	30	24503127	452,4	430,70	15,46
28	30	24503128	468,2	446,55	16,80
30					
32	30	24503132	531,8	510,10	21,35
35	30	24503135	579,5	557,80	25,7
38	30	24503138	622,0	605,45	30,05

MATERIAL **FE / C45**

Ask for specific needs.

CAD drawings available on our site  
[www.chiaravalli.com](http://www.chiaravalli.com)

Quantity, availability and prices  
 on B2B Chiaravalli




**PLATEWHEELS P75 R 25**
**CHAIN**

Pitch	75	mm
Inner width	15	mm
Roller Ø	25	mm
Plate thickness B <sub>1</sub>	13,8	mm

**PLATEWHEELS P75 R 31**
**CHAIN**

Pitch	75	mm
Inner width	15	mm
Roller Ø	31	mm
Plate thickness B <sub>1</sub>	13,8	mm

**ROLLER 25**

Z	D <sub>1</sub>	P. NUMBER	d <sub>e</sub>	d <sub>p</sub>	kg.
8	30	24752508	213,4	195,98	3,20
9	30	24752509	236,8	219,3	4,00
10	30	24752510	260,2	242,77	5,00
11	30	24752511	283,7	266,25	5,43
12	30	24752512	307,3	289,8	7,00
13	30	24752513	330,9	313,42	7,56
14					
15	30	24752515	378,1	360,67	8,00
16	30	24752516	401,9	384,45	12,17
17					
20					
21					
25	30	24752525	615,9	598,42	29,25

**ROLLER 31**

Z	D <sub>1</sub>	P. NUMBER	d <sub>e</sub>	d <sub>p</sub>	kg.
8	30	24753108	217,6	195,98	3,50
9	30	24753109	241	219,3	3,80
10	30	24753110	264,4	242,77	4,50
11	30	24753111	287,9	266,25	5,57
12	30	24753112	311,5	289,8	6,70
13	30	24753113	334,1	313,42	7,80
14	30	24753114	358,7	337,05	9,12
15	30	24753115	382,3	360,67	10,42
16	30	24753116	406,1	384,45	11,98
17					
20					
21	30	24753121	524,8	503,17	20,62
25	30	24753125	620,1	598,42	27,00

**PLATEWHEELS P100 R 31**
**CHAIN**

Pitch	100	mm
Inner width	15	mm
Roller Ø	31	mm
Plate thickness B <sub>1</sub>	13,8	mm

**PLATEWHEELS P100 R 40**
**CHAIN**

Pitch	100	mm
Inner width	22	mm
Roller Ø	40	mm
Plate thickness B <sub>1</sub>	20	mm

**ROLLER 31**

Z	D <sub>1</sub>	P. NUMBER	d <sub>e</sub>	d <sub>p</sub>	kg.
8	30	24993108	282,9	261,31	4,92
9	30	24993109	314,1	292,4	6,03
10	30	24993110	345,4	323,61	8,00
11	30	24993111	376,7	354,95	9,04
12	30	24993112	408,1	386,4	10,75
13	30	24993113	439,6	417,9	16,00
14	30	24993114	471,1	449,4	17,00
15	30	24993115	502,6	480,9	19,00
16	30	24993116	534,3	512,6	21,80
17	30	24993117	565,8	544,1	24,77
18	30	24993118	597,6	575,9	26,43
19					
20					

**ROLLER 40**

Z	D <sub>1</sub>	P. NUMBER	d <sub>e</sub>	d <sub>p</sub>	kg.
8	30	24994008	282,9	261,31	7,14
9	30	24994009	314,1	292,4	10,03
10	30	24994010	345,4	323,61	11,95
11	30	24994011	376,7	354,95	15,02
12	30	24994012	408,1	386,4	17,27
13					
14	30	24994014	471,1	449,4	24,60
15					
16	30	24994016	534,3	512,6	27,99
17					
18					
19					
20	30	24994020	663	639,2	42,62

MATERIAL **FE / C45**

Ask for specific needs.

CAD drawings available on our site  
[www.chiaravalli.com](http://www.chiaravalli.com)

Quantity, availability and prices  
 on B2B Chiaravalli





# WHEELS FOR TABLE TOP CHAINS

WHEELS  
FOR TABLE TOP CHAINS

page 47





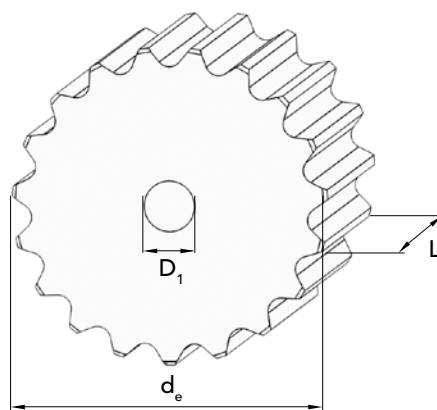
WHEELS FOR TABLE TOP CHAINS





## TABLETOP

P. 1" 1/2  
with DIN 8153



Z	d <sub>e</sub>	D <sub>1</sub>	PART NUMBER	L	WEIGHT kg.
13	78,98	15	30038013	43,5	1,86
15	93,67	15	30038015	43,5	1,86
17	105,47	20	30038017	43,5	2,34
19	117,34	20	30038019	43,5	3,10
21	129,26	20	30038021	43,5	3,70
23	141,22	20	30038023	43,5	4,46
25	153,21	20	30038025	43,5	5,50
27	165,20	20	30038027	43,5	6,31
29	177,24	20	30038029	43,5	7,31
31	189,28	20	30038031	43,5	8,63

MATERIAL FE 50

CAD drawings available on our site  
[www.chiaravalli.com](http://www.chiaravalli.com)

Quantity, availability and prices  
on B2B Chiaravalli



# SHIPPING SERVICES



B2B

*Chiaravalli Group SpA  
E-commerce service*

**FAST TRACK**

*Daily Shipments  
by air*



**PRIORITY TRACK SERVICE**

*Truck priority Shipments*

**ADVANCED SHIPPING**

*Thirty hours Shipments  
by air or truck*



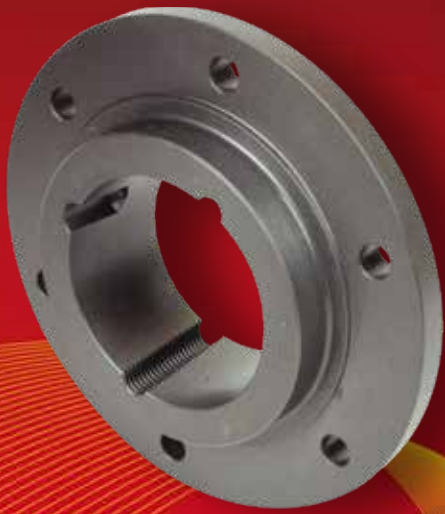
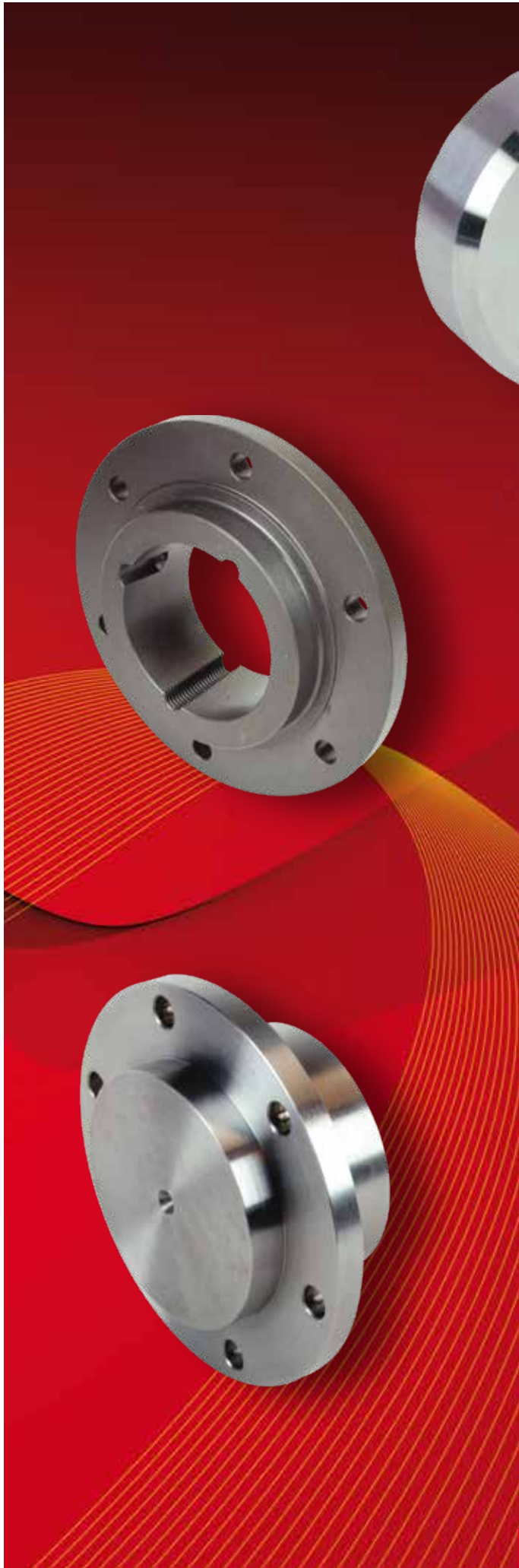
***YOUR SINGLE NEED IS OUR PRIORITY***

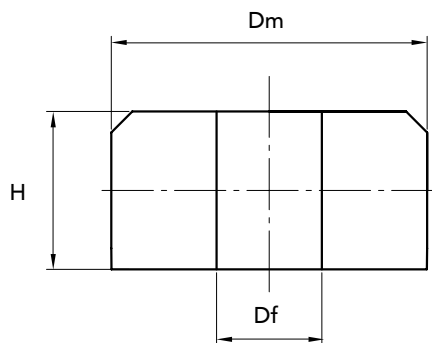




# HUBS and ADAPTORS

<b>WELDED HUBS</b>	page 51
<b>WELDED HUBS</b> FOR TAPER BUSHES	52
<b>REMOVABLE HUBS</b> FOR TAPER BUSHES	53
<b>REMOVABLE HUBS</b> FOR PLATEWHEELS	54
<b>ADAPTORS</b> FOR TAPER BUSHES	55





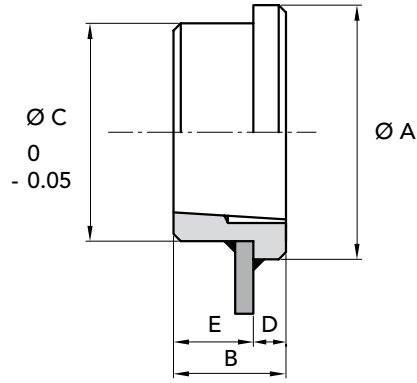
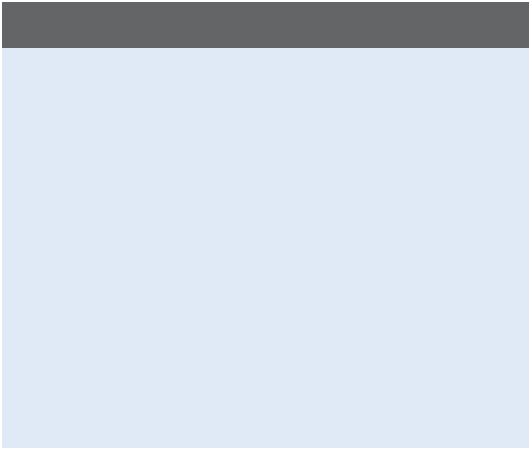
Dm	H	Df	PART NUMBER	WEIGHT Kg.	Dm	H	Df	PART NUMBER	WEIGHT Kg.	Dm	H	Df	PART NUMBER	WEIGHT Kg.	Dm	H	Df	PART NUMBER	WEIGHT Kg.
60	30	20	00001105	0,59	130	20	25	00001380	2,37	150	33	25	00001750	4,45	180	28	40	00002090	5,35
80	27	16	00001110	1,02	130	25	20	00001400	2,55	150	33	30	00001760	4,38	180	31	40	00002100	5,87
80	27	20	00001120	1,00	130	25	25	00001410	2,50	150	36,5	25	00001770	4,94	180	34	30	00002130	6,67
90	26	16	00001130	1,26	130	32	25	00001440	3,21	150	52	30	00001780	6,90	180	46	30	00002150	8,92
90	26	20	00001140	1,23	130	38	25	00001460	3,81	150	62	30	00001790	8,29	180	61	30	00002160	11,18
90	31	16	00001150	1,49	133	34	30	00001490	3,52	150	72	30	00001800	9,59	180	71	40	00002170	13,50
90	31	20	00001160	1,46	133	50,6	30	00001500	5,23	155	34	30	00001820	4,81	200	30	40	00002180	5,70
90	33	20	00001170	1,56	135	32	25	00001510	3,47	155	50,6	30	00001830	7,20	200	32	30	00002190	7,71
90	33	25	00001180	1,52	135	40,6	25	00001530	4,40	160	21	30	00001840	3,22	200	32	40	00002200	7,58
100	31	20	00001190	1,82	140	21	25	00001540	2,45	160	28	25	00001850	4,30	200	34	30	00002230	8,18
100	31	25	00001200	1,78	140	21	30	00001550	2,42	160	28	30	00001860	4,22	200	34	40	00002240	8,00
100	41	25	00001210	2,37	140	24	25	00001570	2,87	160	32	30	00001900	4,98	200	38	40	00002250	8,99
110	25	25	00001220	1,76	140	28	25	00001740	3,27	160	36	30	00001930	5,50	200	49	40	00002260	11,6
110	29	20	00001230	2,08	140	33	25	00001600	3,86	160	46	30	00001970	7,04	200	71	40	00002270	16,80
110	29	25	00001240	2,05	140	33	30	00001610	3,83	160	50,6	30	00001980	7,70	200	81	40	00002280	19,17
110	35	25	00001250	2,46	140	64	30	00001620	7,30	160	60,6	30	00001990	9,45	220	32	30	00002300	9,37
110	45	25	00001260	3,16	145	32	25	00001630	4,07	160	66	30	00002000	10,06	220	32	40	00002310	9,21
110	45	30	00001270	3,10	145	32	30	00001640	3,90	160	76	30	00002010	11,50	220	33	40	00002320	9,52
120	19,5	20	00001300	2,19	145	34	30	00001660	4,21	160	76	40	00002020	11,24	220	42	40	00002330	12,12
120	25,4	25	00001320	2,16	145	40,6	25	00001670	5,11	170	28	30	00002030	4,82	220	48	40	00002340	13,85
120	34	25	00001330	2,89	145	50,6	30	00001680	6,30	170	45,6	30	00002050	7,96	250	30	40	00002350	8,66
125	54	25	00001340	5,02	150	24	25	00001690	3,23	170	60,6	30	00002060	10,44	250	34	40	00002360	9,81
125	54	30	00001350	4,95	150	24	30	00001700	3,19	170	76	40	00002070	12,79	250	42	40	00002370	12,11
130	20	20	00001370	2,00	150	29,7	25	00001730	4,00	180	19	40	00002080	3,60	250	44	40	00002390	12,70

MATERIAL FE 50

CAD drawings available on our site  
[www.chiaravalli.com](http://www.chiaravalli.com)

Quantity, availability and prices  
on B2B Chiaravalli





TYPE HUBS	PART NUMBER	TAPER BUSHE	Ø A	B	Ø C	D	E	WEIGHT Kg.
MS. TL 1210	28001210	1210	70	25	65	9	16	0,31
MS. TL 1610	28001610	1610	80	25	75	9	16	0,37
MS. TL 2012	28002012	2012	95	32	90	12	20	0,72
MS. TL 2517	28002517	2517	115	45	110	19	26	1,80
MS. TL 3020	28003020	3020	145	51	140	19	32	2,59
MS. TL 3030	28003030	3030	145	76	140	19	57	3,55
MS. TL 3525	28003525	3525	190	65	180	25	40	7,30
MS. TL 3535	28003535	3535	190	89	180	25	64	6,40
MS. TL 4040	28004040	4040	200	102	190	32	70	13,22
MS. TL 4545	28004545	4545	220	115	205	38	77	19,30
MS. TL 5050	28005050	5050	240	127	220	38	89	24,52

MATERIAL **FE 50**

CAD drawings available on our site  
[www.chiaravalli.com](http://www.chiaravalli.com)

Quantity, availability and prices  
on B2B Chiaravalli

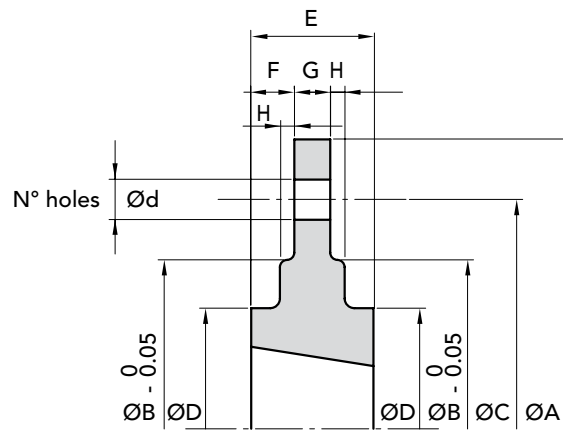




# REMOVABLE HUBS FOR TAPER BUSHES

53

2



REMOVABLE HUBS FOR TAPER BUSHES

TYPE HUBS	PART. NUMBER	TAPER BUSHE	Ø A	Ø B	Ø C	Ø D	E	F	G	H	N. HOLES	Ø d	WEIGHT Kg.
MSM. TL Ø 120	28000120	1210	120	80	100	70	25	9	7,5	2,5	6	7,5	0,82
MSM. TL Ø 130	28000130	1610	130	90	110	80	25	9	7,5	2,5	6	7,5	0,95
MSM. TL Ø 145	28000145	2012	145	115	125	95	32	12	9,5	2,5	6	9,5	1,53
MSM. TL Ø 180	28000180	1210	180	90	135	75	25	9,25	6,5	2,5	6	7,5	2,84
MSM. TL Ø 185	28000185	2517	185	130	155	115	45	19	12,5	2,5	6	11,5	3,14
MSM. TL Ø 200	28000200	1615	200	110	150	85	38	15,3	7,5	2,5	6	7,5	2,42
MSM. TL Ø 220	28000220	3020	220	165	190	145	51	19	12,5	2,5	6	13,5	2,93
MSM. TL Ø 270	28000270	2012	270	140	190	110	32	11,8	8,5	2,5	6	9,5	4,44
MSM. TL Ø 340	28000340	2517	340	170	240	125	45	17,8	9,5	2,5	8	11,5	7,97
MSM. TL Ø 430	28000430	3020	430	220	300	160	51	18,8	13,5	2,5	8	13,5	16,8
MSM. TL Ø 485	28000485	3020	485	250	340	160	51	18,8	13,5	2,5	8	13,5	21,18

MATERIAL **CAST IRON**

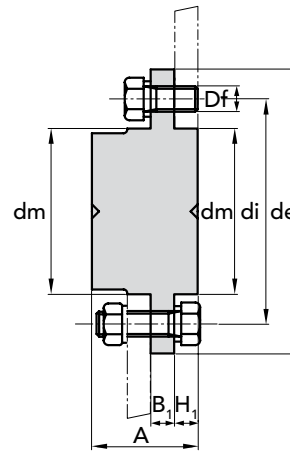


CAD drawings available on our site [www.chiaravalli.com](http://www.chiaravalli.com)

Quantity, availability and prices on B2B Chiaravalli



## SIDE HUB FOR CHAIN WHEEL

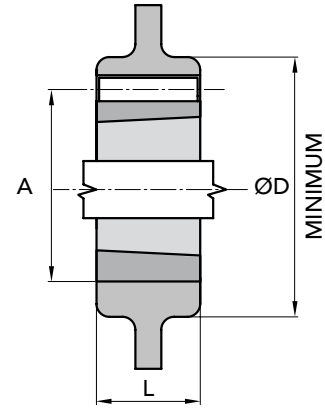
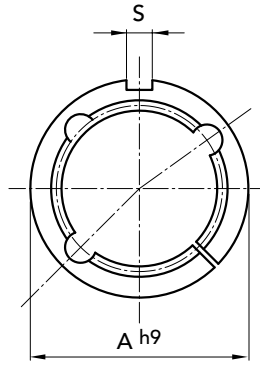


Nr. HUBS	PART NUMBER	de	di	dm	A	Df	B <sub>1</sub>	H <sub>1</sub>	WEIGHT Kg.
30	30000030	55	45	30	20,0	4,2	4	3,0	0,12
40	30000040	70	58	40	25,0	5,2	5	5,2	0,15
50	30000050	80	67	50	32,0	6,2	7	7,0	0,20
60	30000060	90	76	60	38,5	6,2	7	8,7	0,31
70	30000070	110	94	70	45,5	8,2	8	10,5	0,32
80	30000080	130	107	80	55,0	8,2	12	15,0	0,42
100	30000100	170	140	100	73,0	10,2	17	23,0	0,55
140	30000140	220	182	140	83,0	12,2	20	23,0	0,68
160	30000160	245	205	160	93,0	16,5	25	25,0	0,81

MATERIAL FE 50

 CAD drawings available on our site  
[www.chiaravalli.com](http://www.chiaravalli.com)

 Quantity, availability and prices  
 on B2B Chiaravalli

TYPE ADAPTORS	PART NUMBER	N. TAPER BUSHE	L	A h9	Ø D FOR HUBS of PULLEYS and SPROCKETS in CAST IRON and		S DIN 6885	WEIGHT Kg. for C.I.
					CAST IRON	STEEL		
ARC 1008	29901008	1008	22	45	75	60	5 x 5	0,45
ARC 1210	29901210	1210	25	60	105	85	6 x 6	0,70
ARC 1610	29901610	1610	25	70	115	95	10 x 8	0,80
ARC 1615	29901615	1615	38	70	115	95	10 x 8	0,90
ARC 2517	29902517	2517	45	105	150	130	16 x 10	2,20
ARC 3030	29903030	3030	76	130	190	160	20 x 12	5,80
ARC 3535	29903535	3535	90	160	240	200	22 x 12	11,30
ARC 4040	29904040	4040	102	185	290	240	24 x 12	17,30

MATERIAL **CAST IRON**

CAD drawings available on our site  
[www.chiaravalli.com](http://www.chiaravalli.com)

Quantity, availability and prices  
 on B2B Chiaravalli





# PLANETARY

# GEARBOX

*High reliability , compact volumes and easy construction are among the main characteristics of new CHIARAVALLI planetary gearboxes.*

*As one of the main advantages , our planetary gearboxes can be easily assembled with electric and hydraulic motors, worm gearboxes (CHM series) and input shafts. Furthermore , they can be assembled with different output flanges or shafts, all these characteristics make them suitable for several industrial applications.*

*CHIARAVALLI planetary gear boxes are available in linear version (CHPL) and angular one (CHPLB).*

*Our range covers 11 transmission sizes, from 100 daNm up to 3500 daNm, rate reductions from 3.55:1 to 3422:1 and more with four reduction stages (these available upon request).*

*CHIARAVALLI planetary gearboxes are available at anti rusted treated blank surface ready to be painted.*

