

G series



**Helical and bevel helical
gear reducers and gearmotors**



Contents

Rossi for you	6
Features and benefits	8
Symbols and units of measure	10
1 – General specifications sizes 40 ... 360	11
2 – Designation	19
3 – Service factor f_s	23
4 – Thermal power P_t [kW].....	27
5 – Selection.....	31
6 – Structural and operational details	37
7 – Helical gear reducer selection tables	49
8 – Dimensions, designs, mounting positions of helical gear reducers	109
9 – Bevel helical gear reducer selection tables	129
10 – Dimensions, designs, mounting positions of bevel helical gear reducers.....	197
11 – Helical gearmotor selection tables.....	209
12 – Dimensions, designs, mounting positions of helical gearmotors.....	227
13 – Bevel helical gearmotor selection tables	255
14 – Dimensions, designs, mounting positions of bevel helical gearmotors.....	277
15 – Combined gear units.....	293
16 – Radial loads.....	297
17 – Accessories and non-standard designs	321
18 – Installation and maintenance	361
19 – General specifications sizes 400 - 401	373
20 – Designation	377
21 – Service factor f_s	381
22 – Thermal power P_t [kW].....	385
23 – Selection.....	389
24 – Structural and operational details	393
25 – Helical gear reducer selection tables	399
26 – Dimensions, designs, mounting positions of helical gear reducers	401
27 – Bevel helical gear reducer selection tables	409
28 – Dimensions, designs, mounting positions of bevel helical gear reducers.....	411
29 – Radial loads.....	417
30 – Accessories and non-standard designs	425
31 – Installation and maintenance	449
32 – Drive units on swing base	457
Technical formulae	473
Global presence local service	474
Index of revisions	477

G

4
0
.
.
3
6
0

G

4
0
0
-
4
0
1

Rossi for You



Innovation

Rossi offers a wide range of **solutions for an evolving industry**, flexible and innovative gearboxes and gearmotors for customer tailored solutions to maximize performance and minimize the total cost of ownership.



High quality, 3 years warranty

Our drive is to innovate and boost operations by manufacturing performing, precise, reliable and high-quality products all over the world. We are always one step forward in offering and developing solutions that can satisfy an unlimited number of application needs, even in the most demanding conditions.



Reliability

We are a reliable company with the right flexibility and know-how to respond to worldwide market requests, in all application fields, without leaving aside our commitment for the environment and value on human safety, to protect everyone's future.



Tools and processes

We continue to invest in new tools and processes, so our highly skilled specialist team in different fields are supporting you to find the best solution suitable for your demands, always by your side on every step of the project.



After-sale service

Highly trained mechanics and support teams can ensure a fast and efficient after-sale service providing support worldwide.



Digital support

Alongside our 24/7 **Rossi for You** support portal you have a suite of digital support tools enabling real time access to your order tracking, invoices, spare part tables download and contact to our service.

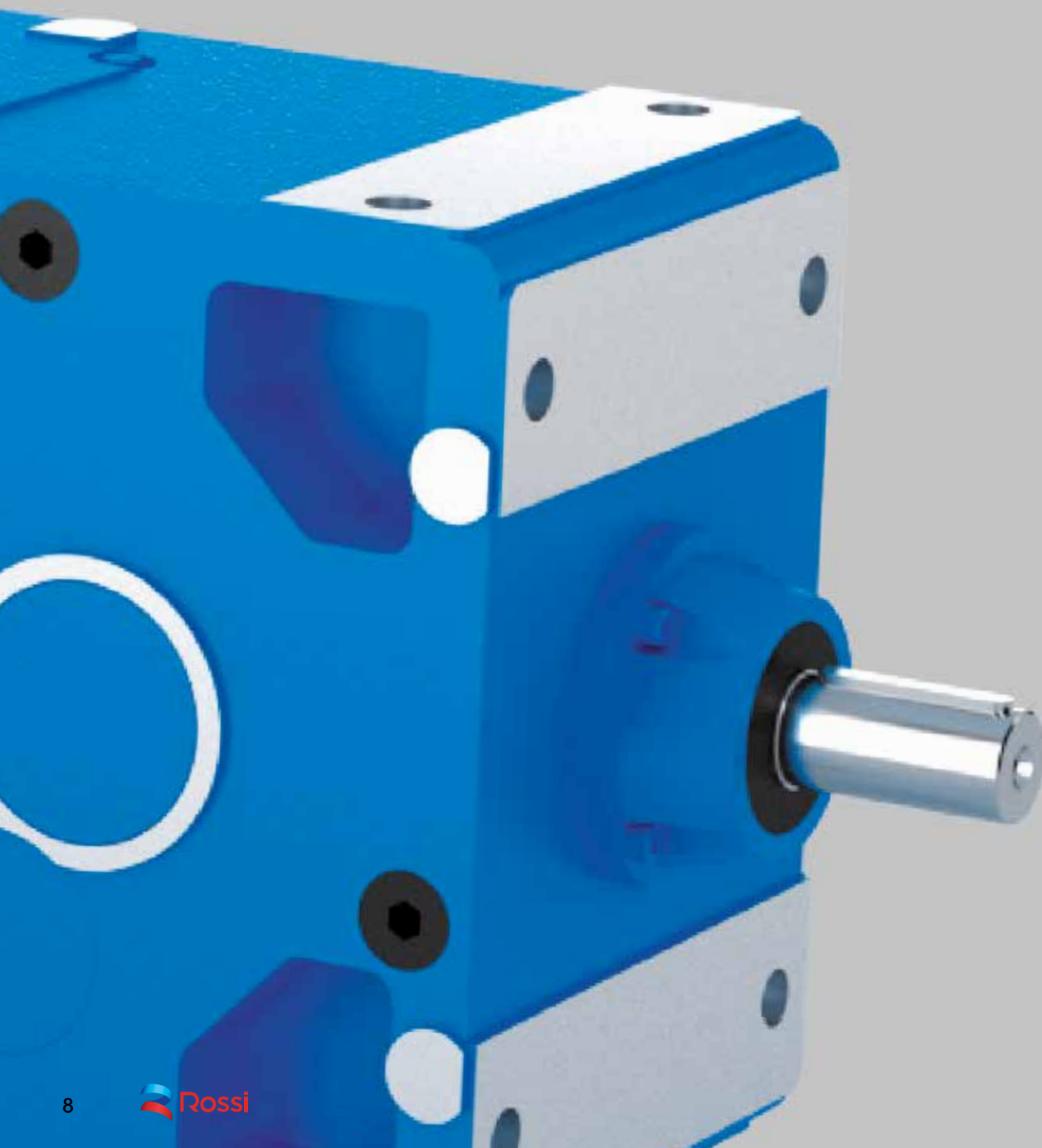
70
YEARS

Experience

Shaped by more than 60 years of history Rossi meets your unique needs whether you need a standard design or a customized solution.



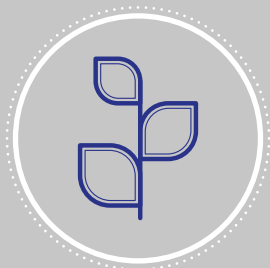
Features and benefits





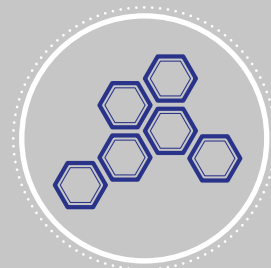
Maximum performance

We drive the heaviest applications worldwide



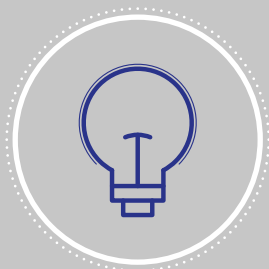
Sustainability

We care about environment



Modular system

For cost-effective and high quality solutions



Innovation

We are constantly thinking forward, solutions for an evolving industry



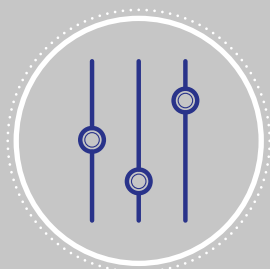
Digitalization

Rossi for You is always at your disposal for any info



Know-how

We support you through interdisciplinary know-how



Customization

Cost-effective solutions starting from standard products

Symbols and units of measure

Symbols used in the catalog and formulae, in alphabetical order, with relevant units of measure.

Symbol	Definition	Units of measure			Notes
		In the catalog	In the formulae		
			Technical System	SI ¹⁾ System	
	dimensions	mm	–		1 inch (in) = 24,5 mm; 1 foot (ft) 30,48 cm
<i>a</i>	acceleration	–	m/s ²		
<i>d</i>	diameter	–	m		
<i>f</i>	frequency	Hz	Hz		
<i>f_s</i>	service factor				
<i>f_t</i>	thermal factor				
<i>F</i>	force	–	kgf	N ²⁾	1 kgf ≈ 9,81 N ≈ 0,981 daN
<i>F_r</i>	radial load	N	–		
<i>F_a</i>	axial load	N	–		
<i>g</i>	acceleration of gravity	–	m/s ²		normal value 9,81 m/s ²
<i>G</i>	weight (weight force)	–	kgf	N	1 pound (lbf) = 4,4482 N
<i>Gd²</i>	dynamic moment	–	kgf m ²	–	
<i>i</i>	transmission ratio				$i = \frac{n_1}{n_2}$
<i>I</i>	electric current	–	A		
<i>J</i>	moment of inertia	kg m ²	–	kg m ²	
<i>L_n</i>	bearing life	h	–		
<i>m</i>	mass	kg	kgf s ² /m	kg ³⁾	
<i>M</i>	torque	N m	kgf m	N m	1 kgf m ≈ 9,81 N m ≈ 0,981 daN m
<i>M_f</i>	braking torque	N m	kgf m	N m	1 kgf m ≈ 9,81 N m ≈ 0,981 daN m
<i>n</i>	angular speed	min ⁻¹	rev/min	–	1 min ⁻¹ ≈ 0,105 rad/s
<i>P</i>	power	kW	CV	W	1 CV ≈ 736 W ≈ 0,736 kW
<i>P_t</i>	thermal power	kW	–		
<i>r</i>	radius	–	m		
<i>R</i>	variation ratio				$R = \frac{n_{2\max}}{n_{2\min}}$
<i>s</i>	distance	–	m		
<i>t</i>	Celsius temperature	°C	–		1 °F = 1,8 · °C + 32
<i>t</i>	time	s min h d	s		1 min = 60 s 1 h = 60 min = 3 600 s 1 d = 24 h = 86 400 s
<i>U</i>	voltages	V	V		
<i>v</i>	velocity	–	m/s		
<i>W</i>	work, energy	MJ	kgf m	J ⁴⁾	
<i>z</i>	frequency of starting	starts/h	–		
<i>α</i>	angular acceleration	–	rad/s ²		
<i>η</i>	efficiency				
<i>η_s</i>	static efficiency				
<i>μ</i>	friction coefficient				
<i>φ</i>	plane angle	°	rad		1 rev = 2 π rad $1^\circ = \frac{\pi}{180}$ rad
<i>ω</i>	angular velocity	–	–	rad/s	1 rad/s ≈ 9,55 min ⁻¹

Additional indexes and other signs

Ind.	Definition
max	maximum
min	minimum
N	nominal
1	relating to high speed shaft (input)
2	relating to low speed shaft (output)
÷	from ... to
≈	approximately equal to
≥	greater than or equal to
≤	less than or equal to

- 1) SI are the initials of the International Unit System, defined and approved by the General Conference on Weights and Measures as the only system of units of measure.
See CNR UNI 10 003-84 (DIN 1 301-93 NF X 02.004, BS 5 555-93, ISO 1 000-92).
UNI: Ente Nazionale Italiano di Unificazione.
DIN: Deutscher Normenausschuss (DNA).
NF: Association Française de Normalisation (AFNOR).
BS: British Standards Institution (BSI).
ISO: International Organization for Standardization.
- 2) Newton [N] is the force imparting an acceleration of 1 m/s² to a mass of 1 kg.
- 3) Kilogramme [kg] is the mass of the prototype kept at Sèvres (i.e. 1 dm³ of distilled water at 4 °C).
Joule [J] is the work done when the point of application of a force of 1 N is displaced through a distance of 1 m.

G series 40 ... 360

Section contents

1 – General specifications sizes 40 ... 360.....	11
2 – Designation	19
3 – Service factor f_s	23
4 – Thermal power P_t [kW]	27
5 – Selection	31
6 – Structural and operational details	37
7 – Helical gear reducer selection tables	49
8 – Dimensions, designs, mounting positions of helical gear reducers	109
9 – Bevel helical gear reducer selection tables	129
10 – Dimensions, designs, mounting positions of bevel helical gear reducers	197
11 – Helical gearmotor selection tables	209
12 – Dimensions, designs, mounting positions of helical gearmotors	227
13 – Helical gearmotor selection tables	255
14 – Dimensions, designs, mounting positions of bevel helical gearmotors	277
15 – Combined gear units	293
16 – Radial loads	297
17 – Accessories and non-standard designs	321
18 – Installation and maintenance	361

Universal «symmetrical» mounting: suitable for horizontal or vertical mounting

Rigid and precise cast iron single-piece housing; high oil capacity

Standard hollow low speed shaft, prearranged for installation of backstop device, option of double extension high speed shaft

Possibility of fitting particularly powerful motors and capability of withstanding high loads on the shaft end

Possibility of obtaining multiple drivers without restrictions on direction of rotation

Intermediate sizes 140, 180, 225, 280, 360 – dimensions similar to previous sizes 125, 160, 200, 250, 320 – **conceived to be also a supporting series in particular applications; three size pairs**, standard and strengthened, **63 and 64, 80 and 81, 320 and 321**

Manufacturing and product management flexibility

High manufacturing quality standards

Minimum maintenance requirements

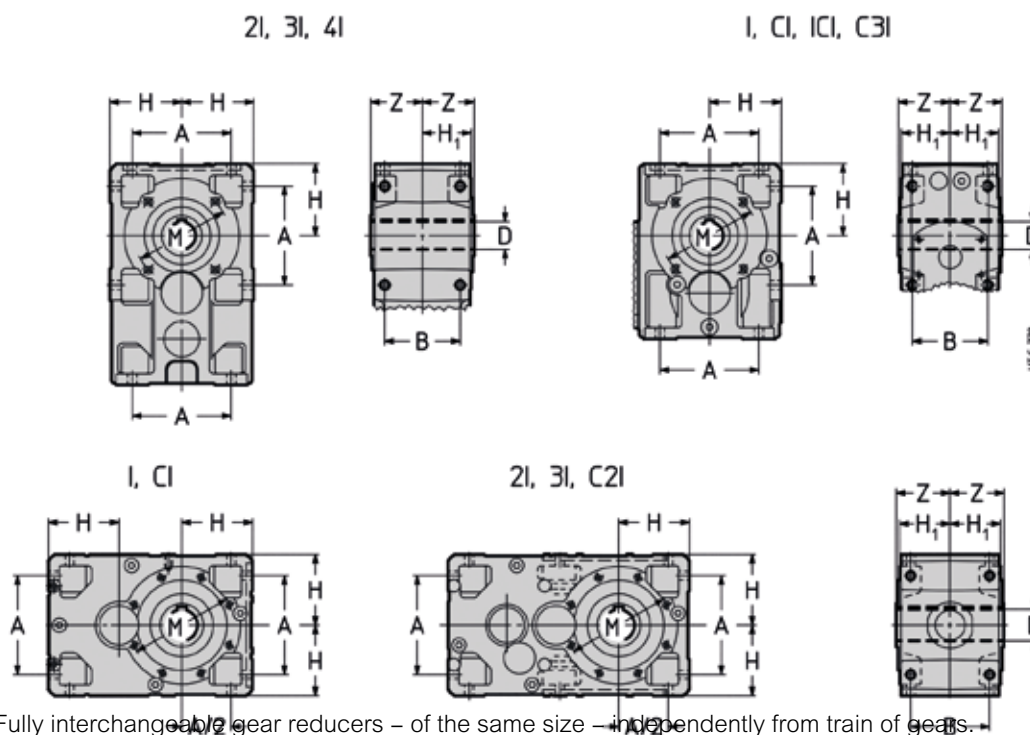
IEC motor

High, reliable and tested performance

Wide range of sizes, trains of gears and solutions.

“Long” series of helical gear reducers and gearmotors for applications with U position of motor/machine shaft and considerable distance between input and output shafts; same input and output coupling dimensions, same transmission ratios and performances, same combinations of motors and gear reducers as the standard series (**patent pending**).

This series of gear reducers and gearmotors combines and exalts the traditional qualities of helical and bevel helical gear reducers – **strength, accuracy, and reliability** – with advantages derived from modern design, manufacturing and operating criteria – **suitability for the heaviest duties, universality and ease of application, comprehensive size range, service, economy** – the advantages typically associated with high quality gear reducers produced in large series.



Fully interchangeable gear reducers – of the same size – independently from train of gears.

1.1 - Gear reducer

Main structural features

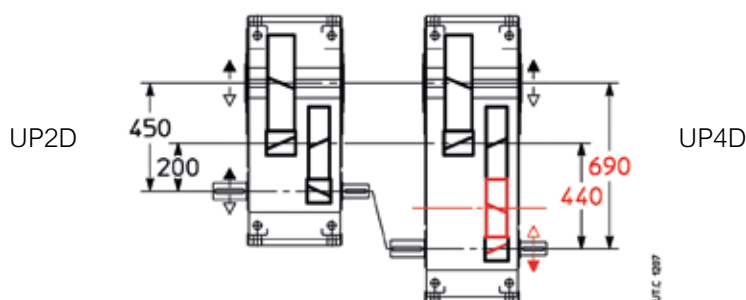
- **universal** mounting having feet integral with housing on 4 faces (3 faces for train of gears: I sizes 63 ... 100, CI sizes 40 ... 100, C3I, ICI) and B14 flange on 2 faces (1 face for standard model 2I, 3I and 4I sizes 40 ... 125); gear reducers and gearmotors 2I, 3I sizes 40 ... 125 and 4I sizes 63 ... 125 having reaction recess for shaft mounting arrangement (see ch. 6), B5 flange with spigot recess mountable on the faces with B14 flange (see ch. 17); the drawing and the strength of housing allow **interesting shaft mounting arrangements**, foot mounted motor coupling arrangement (see ch. 18) and attachments points for a variety of equipment;
- gear reducer overall dimensions are suitable to be equipped with large motor sizes transmitting **high nominal and maximum torques**, supporting **high loads on low and high speed shaft ends**;
- standard hollow low speed shaft in steel, with keyway and retaining ring grooves for extraction (excluding sizes 40 ... 63); standard (left or right hand extension) or double extension low speed shaft (see ch. 17).

- gearmotors MR 4I (sizes 63 ... 125), MR C3I (sizes 50 ... 125) with **first reduction stage** including **2** coaxial cylindrical gear pairs in order to get high transmission ratio, with standardized motor, in an economic and compact way;
- improved and upgraded modular construction both for component parts and assembled product;
- standardized dimensions and compliance with standards;
- gear reducers: input face with machined surface (flange for R 3I 63 ... 125, R ICI) with fixing holes, high speed shaft end with key;
- gearmotors MR 3I 40 ... 125, MR 4I, MR ICI and MR C3I: first reduction pinion gear directly keyed onto the shaft end of **IEC standard motor**;
- gearmotors MR 2I, MR 3I 140 ... 360, MR CI, MR C2I: **IEC standard motor** directly fitted into hollow high speed shaft; with **motor size ≥ 200** , to obtain easier installing and removal and avoid fretting corrosion, bevel helical gearmotors (CI, C2I) have a keying system with key and bronze bushing whereas helical gearmotors (2I, 3I) have a keying system with hollow high speed shaft with longitudinal cuts, shrink disc and key for a perfect alignment;
- possibility of **second high speed shaft extension** (or intermediate shaft extension for train of gears 3I 40 ... 125, 4I, ICI, C3I);
- taper roller bearings, excluding some shafts (high speed shaft) on which bearings are cylindrical roller or ball type;
- **cast iron** single-piece housing 200 UNI ISO 185 (**spheroidal** UNI ISO 1083 for sizes 140, 180, 225, 280, 360) with **stiffening ribs and high oil capacity**;
- oil bath lubrication; synthetic oil, providing lubrication «**for life**» and 1 plug (sizes 40 ... 64) or 2 plugs (sizes 80 and 81), **filled with oil** (sizes 40 ... 81); synthetic or mineral oil (ch. 18) with filler plug and valve, level and drain plug, supplied **without oil** (sizes 100 ... 360); sealed;
- additional bearings lubrication through proper pipelines or pump (sizes 100 ... 360);
- natural or forced cooling (fan – also in **flange** mounting – and/or coil, see ch. 17);
- **paint: external** coating in epoxy powder paint (sizes 40 ... 81) or water based dual compound polyurethane enamel (sizes 100 ... 360) resistant to atmospheric and aggressive agents (corrosivity category C3 ISO 12944-2); suitable for further coats only with dual-compound products after degreasing and sanding; color blue RAL 5010 DIN 1843, other colors and/or painting cycles on request see ch. 17); **internal** protection with epoxy powder paint (sizes 40 ... 81) suitable to resist to synthetic oils or with synthetic paint (sizes 100 ... 360) suitable to resist polyalphaolefines based synthetic or mineral oils.
- possibility to obtaining combined gear reducer and gearmotor units providing high transmission ratios;
- non-standard designs: backstop device (always pre-arranged, excluding size 40 and helical size 50), stepped hollow low speed shaft, supplementary cooling and lubrication systems, shaft mounting arrangements, special paints, **ATEX II 2 GD** and **3 GD**, design for agitators, etc. (ch. 17).
- **helical «long» model**: it is derived from the standard one (completing it) through the addition of an **idle gear** between wheel and pinion of the second-last reduction stage (first reduction stage for 2I train of gears) hence allowing to **distance considerably** the input and output shafts, whilst maintaining the same **specifications and performances** as the standard model. In particular:
 - same **input and output coupling dimensions** (shafts and B14 output flange, motor sizes);
 - same high speed shaft **bearing** (shafts and bearings) with the same transmission ratio;
 - same **foot mounting dimensions** (A_1 dimension excluded);
 - same **transmission ratios and performances**;
 - same **combinations of motors and gear reducers**;
 - same **thermal power** (thanks to the greater length of the housing);
 - same **accessories** and non-standard **designs**;
 - same **high quality level** (design solutions, production processes and tests, components, single-piece housing, modular and aesthetic design).

The «long» gear reducer obtained through this new design concept, makes possible also very low transmission ratios with proportioned and generous bearings in terms of high speed shaft roller bearings and shaft diameters.

Everything stated in this catalog is to be intended **valid both for standard and long model**, except otherwise stated.

Comparison between gear reducer R 2I 250 standard type UP2D and relevant long type **UP4D (patent pending)**: highlighting the extension of center distance, the presence of the idle gear and the reversing of rotation direction.



Train of gears

- 1, 2, 3, 4 helical gear pairs (helical gear reducers);
- 2, 3 helical gear pairs and **1 idle gear** («long» model, helical gear reducers);
- 1 bevel gear pair plus 1, 2, 3 helical gear pairs (bevel helical gear reducers);
- 6 sizes with final reduction center distance to R 10 (40 ... 125, with 2 size pairs: standard and strengthened); 9 sizes with final reduction center distance to R 20 (140 ... 360, with 1 size pair: standard and strengthened), for a total of **18 sizes**;
- nominal transmission ratios to R 10 ($i_N = 2,5 \dots 160$; $i_N = 80 \dots 400$ for 4I) for helical gear units; to R 10 ($i_N = 5 \dots 200$; $i_N = 80 \dots 500$ for C3I) for bevel helical gear units; to R 20 ($i_N = 9 \dots 90$), excluding I and ICI, for all sizes 140 ... 360;
- casehardened and hardened gear pairs in 16 CrNi4 or 20 MnCr5 steel (depending on size) and 18 NiCrMo5 according to UNI EN 10084;
- helical gear pairs with **ground** profile;
- GLEASON spiral bevel gear pairs with **ground** or accurately lapped profile;
- gear load capacity calculated for tooth breakage and pitting.

Specific standards

- nominal transmission ratios and principal dimensions according to UNI 2016 (DIN 323-74, NF X 01.001, BS 2045-65, ISO 3-73);
- tothing profile to UNI 6587-69 (DIN 867-86, NF E 23.011, BS 436.2-70, ISO 53-74);
- shaft heights to UNI 2946-68 (DIN 747-76, NF E 01.051, BS 5186-75, ISO 496-73);
- fixing flanges B14 and B5 (the latter with spigot «recess») taken from UNEL 13501-69 (DIN 42948-65, IEC 72.2);
- medium series fixing holes to UNI 1728-83 (DIN 69-71, NF E 27.040, BS 4186-67, ISO/R 273);
- helical shaft ends (long or short) to UNI ISO 775-88 (DIN 748, NF E 22.051, BS 4506-70, ISO/R775) with tapped butt-end hole to UNI 9321 (DIN 332 Bl. 2-70, NF E 22.056) excluding correspondence d-D;
- parallel keys UNI 6604-69 (DIN 6885 Bl. 1-68, NF E 27.656 and 22.175, BS 4235.1-72, ISO/R/773-69) except for specific cases of motor-to-gear reducer coupling where key height is reduced;
- mounting positions derived from CEI 2-14 (DIN EN 60034-7, IEC 34.7);
- load capacity verified according to UNI 8862, DIN 3990, AFNOR E 23-015, ISO 6336; thermal capacity verified.



Bevel helical gearmotor CI (also C2I) with high speed shaft for **90° multiple drives**.



Helical gearmotor with **backstop device** (always prearranged)



Bevel helical gearmotor ICI (also CI) with double extension low speed shaft and **high speed shaft extension** (design UO3D).

1.2 - Electric motor

Gearmotor dimensions and masses of present catalog (see ch. 12 and 14) refer to motor catalog TX.

Main structural features

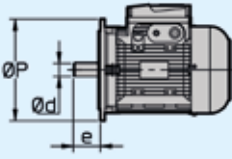
- motor **standardized to IEC**;
- asynchronous three-phase, totally-enclosed, externally ventilated, with cage rotor;
- **IP 55** protection, **insulation class F**, temperature rise class **B**;
- rated power delivered on continuous duty S1 (excluding some cases of motor sizes with power not according to standard; see specific documentation) and referred to nominal voltage and frequency; maximum ambient temperature 40 °C and altitude 1 000 m;
- capacity to withstand one or more overloads up to 1,6 times the nominal load for a maximum total period of 2 min per single hour;
- starting torque with direct on-line start at least 1,6 times the nominal one (it is usually higher);
- mounting position B5 and derivatives as shown in the following table;
- **suitable for inverter duty** (generous electromagnetic sizing, low-loss electrical stamping, phase separators, etc.)
- designs available for every application need: flywheel, independent cooling fan, independent cooling fan and encoder, etc.

Brake motor constructive features

- particularly strong construction to withstand braking stresses; **maximum reduction of noise level**;
- spring-loaded d.c. electromagnetic brake; feeding from the terminal box; brake can also be independently fed directly from the line;
- braking torque proportioned to motor torque (usually $M_f \approx 2 M_N$) and adjustable by adding or removing spring pairs;
- possibility of high frequency of starting;
- quick and rapid stop;
- hand lever for manual release with automatic return (on request for size $\leq 160S$); removable lever rod.

For other specifications and details see **specific documentation of cat. TX**.

Main coupling dimensions

Motor size	 IEC 60072 (UNEL 1017 - mounting position 1.A-65)		
	IM B5	B5R	B5A
	Ød x e - ØP	Ød x e - ØP	Ød x e - ØP
63	11 x 23 - 140	–	–
71	14 x 30 - 160	11 x 23 - 140	14 x 30 - 140
80	19 x 40 - 200	14 x 30 - 160	19 x 40 - 160
90	24 x 50 - 200	19 x 40 - 200	–
100, 112	28 x 60 - 250	24 x 50 - 200	–
132	38 x 80 - 300	28 x 60 - 250	–
160	42 x 110 - 350	38 x 80 - 300	–
180	48 x 110 - 350	–	–
200	55 x 110 - 400	48 x 110 - 350	–
225	60 x 140 - 450	–	–
250	65 x 140 - 550	60 x 140 - 450	–
280	75 x 140 - 550	–	–
315	80 x 170 - 660	75 x 140 - 550	–

Short time duty (S2) and intermittent periodic duty (S3); duty cycles S4 ... S10

In case of a duty-requirement type S2 ... S10 the motor power can be increased as per the following table; starting torque keeps unchanged.

Short time duty (S2). – Running at constant load for a given period of time less than that necessary to reach normal running temperature, followed by a rest period long enough for motor's return to ambient temperature.

Intermittent periodic duty (S3). – Succession of identical work cycles consisting of a period of running at constant load and a rest period. Current peaks on starting are not to be of an order that will influence motor heat to any significant extent.

$$\text{Cyclic duration factor} = \frac{N}{N + R} \cdot 100\%$$

where: N being running time at constant load,
R the rest period and N + R = 10 min (if longer consult us).

Duty			Motor size ¹⁾		
			63 ... 90	100 ... 132	160 ... 315
S2	duration of running	90 min	1	1	1,06
		60 min	1	1,06	1,12
		30 min	1,25	1,18	1,25
		10 min	1,25	1,25	1,32
S3	cyclic duration factor	60%	1,12		
		40%	1,18		
		25%	1,25		
		15%	1,32		
S4 ... S10			consult us		

1) For motor sizes 90LC 4, 112MC 4, 132MC 4, consult us.

Frequency 60 Hz

Normal motors up to size 132 wound for 50 Hz can be fed at 60 Hz; in this case speed increases by 20%. If input-voltage corresponds to winding voltage, power remains unchanged, providing that higher temperature rise values are acceptable and that the power requirement is not unduly demanding, whilst starting and maximum torques decrease by 17%. If input-voltage is 20% higher than winding voltage, power increases by 20% whilst starting and maximum torques keep unchanged.

For brake motors, see specific literature.

From size 160 upwards motors – both standard and brake ones – should be wound for 60 Hz exploiting the 20% power increase as a matter of course.

Power available with high ambient temperature or high altitude

When motor has to run at an ambient temperature higher than 40 °C or at altitude above sea level higher than 1 000 m, it has to be derated according to the following tables:

Ambient temperature [°C]	30	40	45	50	55	60	
P/P_N [%]	106	100	96.5	93	90	86,5	
Altitude a.s.l. [m]	1 000	1 500	2 000	2 500	3 000	3 500	4 000
P/P_N [%]	100	96	92	88	84	80	76

Electric motor specific standards

- nominal powers and dimensions to CENELEC HD 231 (IEC 72-1, CNR-CEI UNEL 13117-71 and 13118-71, DIN 42677, NF C 51- 120, BS 5000-10 and BS 4999-141) for mounting positions IM B5, IM B14 and derivatives;
- nominal performances and running specifications to CENELEC EN 60034-1 (IEC 34-1, CEI EN 60034-1, DIN VDE 0530-1, NF C51- 111, BS EN 60034-1);
- protection to CENELEC EN 60034-5 (IEC 34-5, CEI 2-16, DIN EN 60034-5, NF C51-115, BS 4999-105);
- mounting positions to CENELEC EN 60034-7 (IEC 34-7, CEI EN 60034-7, DIN IEC 34-7, NF C51-117, BS EN 60034-7);
- sound levels to CENELEC 60034-9 (IEC 34.9, DIN 57530 pt. 9);
- balancing and vibration velocity (vibration under standard rating N) to CENELEC HD 53.14 S1 (IEC 34-14, ISO 2373 CEI 2-23, BS 4999-142); motors are balanced with half key inserted into shaft extension;
- cooling to CENELEC EN 60034-6 (CEI 2-7, IEC 34-6): standard type IC 411; type IC 416 for non-standard design with axial independent cooling fan.

Size ¹⁾
 M_{N2} [N m] - F_{r2} [kN]

I²⁾ CI⁴⁾ ICI 2I⁵⁾ 3I 2I «long» 3I «long» C2I

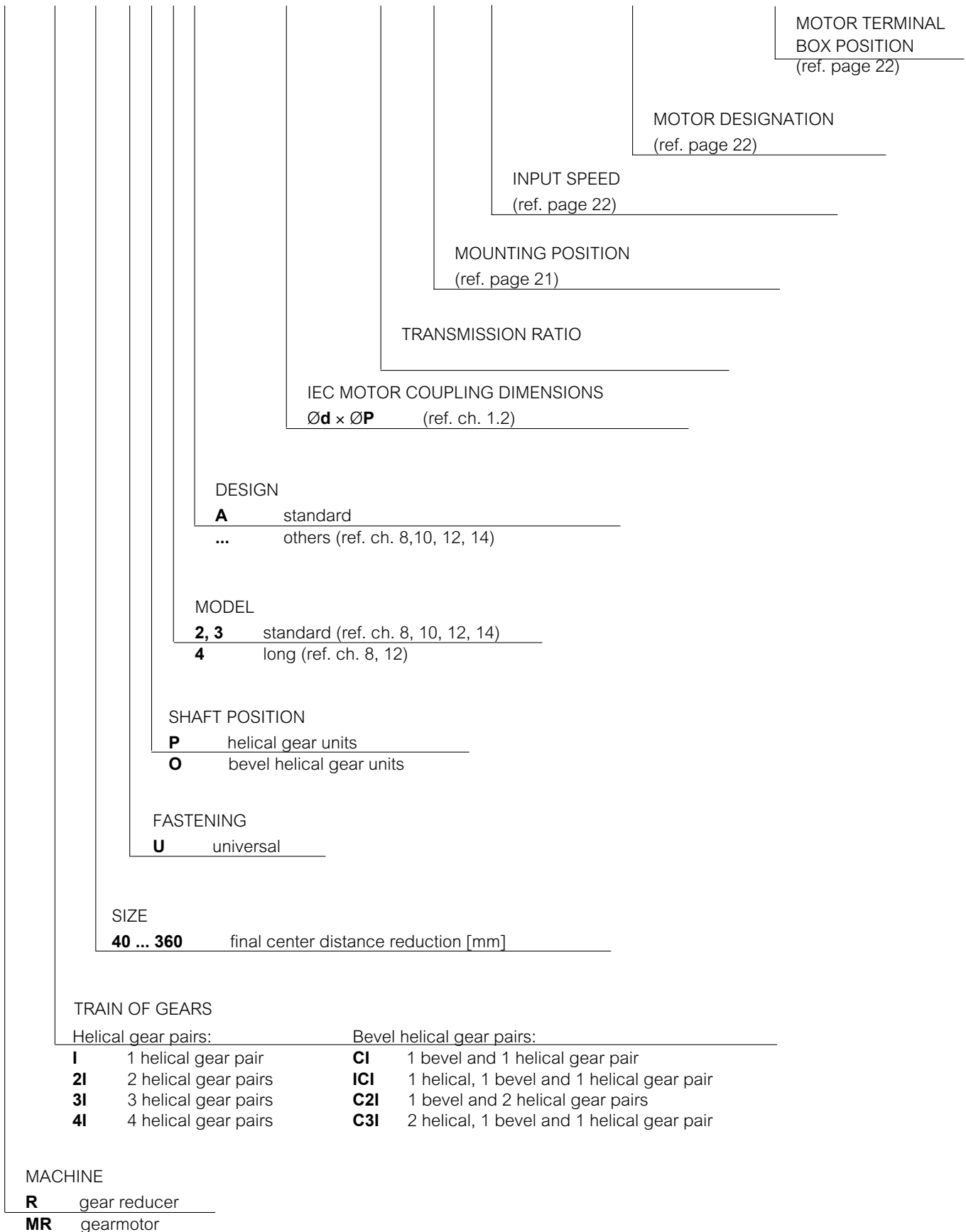
40 ³⁾ 100 - 2,24								
50 206 - 3,15								
63 387 - 5								
64 487 - 5								
80 825 - 8								³⁾
81 975 - 8								³⁾
100 1 700 - 12,5								³⁾
125 3 450 - 20								³⁾
140 5 150 - 28								
160 7 750 - 35,5								
180 10 900 - 45								
200 15 500 - 56								
225 21 800 - 71								
250 31 500 - 90								
280 43 700 - 112								
320 54 500 - 140								
321 69 000 - 140								
360 87 500 - 180								

1) For bigger sizes see cat. H.
 2) Gear reducers only.
 3) Gearmotors only

4) Also C3I grand. 50 ... 125 (gearmotors only).
 5) Also 4I grand. 63 ... 125 (gearmotors).

2 – Designation

R 2I 320 U P 2 D - **10,3 B3**
MR C2I 200 U O 2 V - **48 x 350** - **35,3 V5** **HB3 180L4 400-50 B5 TB3**

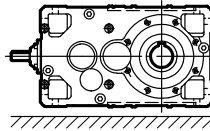


Note: For ATEX environment see details at chapter 17(37).

Gear reducer mounting position

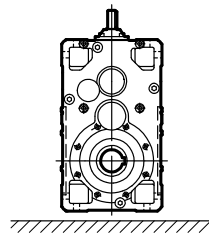
Gear reducer and gearmotor mounting positions are described in ch. 8, 10, 12, 14 (the mounting position designation refers to foot mounting only, even if gear reducers are for universal mounting; e.g.: B14 flange fastening and derivatives; B5 flange fastening and derivatives, see ch. 17). Here following some designation examples of important mounting positions.

1. **Standard B3** mounting position; when having no particular needs, **prefer B3 mounting position** for its technical and economic cost effectiveness (maximum simplification of lubrication system, lower oil splash, lower gear reducer heating, stock availability).

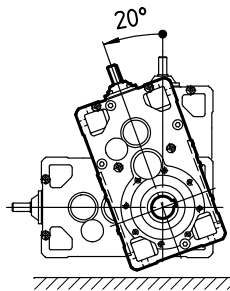


2. Non-standard mounting positions

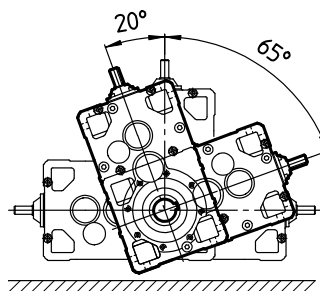
- 2a. Mounting position as per catalog (see ch. 8, 10, 12,14), **only one** and **fixed**, differing from B3; e.g.: mounting position **B6**



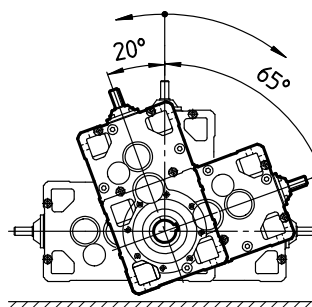
- 2b. **Inclined and fixed** mounting position; e.g.: mounting position **B6 - 20° B3**



- 2c. **One only** mounting position **but defined within a pre-determined angle**; e.g.: mounting position within **B6 - 20° B3 / B6 - 65° B8**



- 2d. **Oscillatory** mounting position (gear reducer oscillating when running); e.g.: mounting position **B6 - 20° B3 / B6 - 65° B8 oscillatory**



Input speed

Complete the designation stating the input speed n_1 , in the following cases:

- $n_1 > 1800 \text{ min}^{-1}$ or $n_1 \leq 355 \text{ min}^{-1}$;
- for cases highlighted with following symbols (\blacktriangle , Ψ , \emptyset) (ch. 7, 8, 9, 10, 12, 14);
- when forced cooling is required.

Example:

R I 125 UP2A-2,53 **mounting position V6**, $n_1 = 900 \text{ min}^{-1}$

R CI 360 UO2V-16 $n_1 = 2000 \div 600 \text{ min}^{-1}$

Motor

When the gearmotor is supplied **equipped with a standard Rossi motor**, fill in the designation stating the motor designation (ref. cat. TX).

Examples:

MR ICI 200 UO3A - 42 x 350 - 50,3

HB3 160M 4 400-50 B5

MR ICI 200 UO3A - 42 x 350 - 50,3

HBZ 160L 4 400-50 B5

When the gearmotor is supplied **without motor**, omit the designation and add «without motor».

Example:

MR 2I 140 UP2A - 48 x 350 - 17,6 **without motor**

When motor is supplied by the **Buyer**¹⁾, complete the designation by stating the description of «motor supplied by us».

1) The motor supplied by the Buyer must be to IEC with mating surfaces machined under accuracy rating IEC 60072-1 and is to be sent carriage and expenses paid to our factory for fitting to the gear reducer.

Example:

MR 2I 140 UP2A - 48 x 350 - 17,6

motor supplied by us

Motor terminal box position

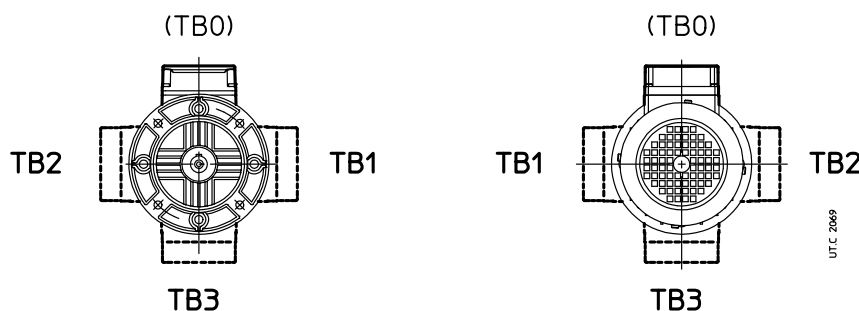
Complete the designation stating the motor terminal box position if differing from the standard one (TB0; see ch.12, 14 and scheme below).

The cable input is Buyer's responsibility.

Example:

MR ICI 200 UO3A - 42 x 350 / 50,3

HB3 160M 4 400-50 B5 **TB3**



View from drive end (D)

View from non-drive end (N)

Accessories and non-standard designs

In the event of a gear reducer or gearmotor being required in a design different from those stated above, specify it in detail (ch. 17).

3 – Service factor *fs*

Service factor f_s takes into account the different running conditions (nature of load, running time, frequency of starting, speed n_2 , other considerations) which must be referred to when performing calculations of gear reducer selection and verification.

The powers and torques shown in the catalog are nominal (i.e. valid for $f_s = 1$) for gear reducers, corresponding to the f_s indicated for gearmotors.

The **minimum service factor required** is given by:

$$f_s \text{ required} \geq f_{s_1} \cdot f_{s_2} \cdot f_{s_3} \cdot f_{s_4} \cdot f_{s_5}$$

or, in case of selection according to $n_2 \cdot L_n$:

$$f_s \text{ required} \geq f_{s_1}(8 \text{ h/d}) \cdot f_{s_2} \cdot f_{s_3} \cdot f_{s_4}$$

Service factor f_{s_1} according to **nature of load** and to **running time**

Details and considerations about service factor.

Nature of load of driven machine ¹⁾		$f_{s_1}^{2)}$ Running time [h/d] ≤				
Ref.	Description	2	4	8	16	24
a	Uniform	0,8 ³⁾	0,9 ³⁾	1	1,18	1,32
b	Moderate overloads (1,6 x normal)	1	1,12	1,25	1,5	1,7
c	Heavy overloads (2,5 x normal)	1,32	1,5	1,7	2	2,24

Service factor f_{s_2} based on **nature of load** and of **frequency of starting**

Nature of load of driven machine ¹⁾		f_{s_2} Frequency of starting z [starts/h]							
Ref.	Description	2	4	8	16	32	64	125	250
a	Uniform	1	1,06	1,12	1,18	1,25	1,32	1,4	1,5
b	Moderate overloads (1,6 x normal)	1	1	1,06	1,12	1,18	1,25	1,32	1,4
c	Heavy overloads (2,5 x normal)	1	1	1	1,06	1,12	1,18	1,25	1,32

Service factor f_{s_3} based on **motor type**

Motor type Description	f_{s_3}
Electric three-phase $P_1 \leq 9,2 \text{ kW}$ $P_1 > 9,2 \text{ kW}^{4)}$	1 1,06 ⁴⁾
Brake electric three-phase	1,06
Internal combustion multi-cylinder single-cylinder	1,25 1,5

Service factor f_{s_4} based on **reliability level**

Reliability level ⁵⁾	f_{s_4}
normal	1
medium	1,25
high	1,4

Service factor f_{s_5} based on **output angular speed n_2**

Output speed n_2 [min ⁻¹]	f_{s_5}
560 ÷ 355	1,25
355 ÷ 224	1,18
224 ÷ 140	1,12
140 ÷ 90	1,06
< 90	1

f_s values stated above are valid for:

- maximum time on overload 15 s, on starting 3 s; if over and/or subject to heavy shock effect, consult us;
- a whole number of overload cycles (or start) **imprecisely** completed in 1, 2, 3 or 4 revolutions of low speed shaft; if **precisely** a continuous overload should be assumed;

Motors having a starting torque not exceeding nominal values (star-delta starting, particular types of motor operating on direct current, and single-phase motors), and particular types of coupling between gear reducer and motor, and gear reducer and driven machine (flexible, centrifugal, fluid and safety couplings, clutches and belt drives) affect service factor favourably, allowing its reduction in certain heavy-duty applications; consult us if need be.

1) For indication on the type of load of the driven machine according to the application, see table on next page.

2) When selecting with $n_2 \cdot L_n$, use exclusively the column 8 h/d.

3) Verify that the torque M_2 is lower than or equal to M_{N2} valid for $n_1 \leq 90 \text{ min}^{-1}$ (see pages 107 and 195); when having variable load verify each load cycle interval (see ch. 5.2).

4) For Y-Δ starts, running with inverter or «soft start» devices, $f_{s_3}=1$.

5) Reliability degrees higher than normal are required in presence of: very difficult maintenance, great importance of gear reducer in the production cycle, safety, etc.

Classification of nature of load according to application

Application	Ref. load *	Application	Ref. load *	Application	Ref. load *
Stirrers and mixers Liquids: – constant density – varying density, solids in suspension, high viscosity concrete mixers, mullers, flash mixers	a b c	Lumber and woodworking industries mechanical loaders, pallet stackers conveyors for: – boards, chips, waste – logs machine tools (planing, cutting, cross-cut and re-sawing, tenoning, bevelling, moulding, sanding, sizing and scratch-brushing machinery etc.): – feed drive – cutter drive barkers: – mechanical and hydraulic – drum	a, b b c	transverse drive rollers, draw benches, coilers, inverter, draglines, flattening rolls, bending rolls pushers, descaling equipment, pipe welders, mill roll train drives, rolling mills, forging presses, billet croppers, power hammers, punches, impact extruders, tapping machines, straightening presses Rollerways Mills rotary (rod, roller, pebble, ball) hammer, pin crusher, centrifugal, impact, rolling (ball or roller)	b c b, c
Feeders and batchers rotary (roller, table, sector) belt, screw, plate reciprocating, shaker	a a, b c	Oil industry paraffin filter presses, chillers rotary drilling equipment pumping equipment	b b, c	Pumps rotary (gear, screw, lobe, vane) and axial centrifugal: – liquids, constant density – liquids, variable density or high viscosity proportioning alternative: – single acting (≥ 3 cylinders), double acting (≥ 2 cylinders) – single acting (≤ 2 cylinders), double acting single cylinder	c b, c
Compressors centrifugal (single-stage, multi-stage) rotary (vane, lobe, screw) axial reciprocating: – multi-cylinder – single-cylinder	a b b b	Textile industry calenders, cards, pickers, dryers, nappers, spinners, slashers, pads, soapers, washers, mangles, tenter frames, looms (Jacquard), warping machines, winders, knitting machines, dyeing machines, twisting frames, gig mills, cutters	b c	Rotating drums dryers, chillers, rotary kilns, washing machines tumblers, cement kilns	a, b
Elevators belt, centrifugal or gravity discharge, screw jacks, escalators bucket, arm and tray elevators, paddle wheel, hoists, skips man lifts, mobile scaffolding, passenger transport (cable cars, chair, ski, gondola lifts etc.)	a, b b a, b	Clay working machinery pug mills, extruders, rotary deslimers brick and tile presses	b c	Transport conveyors belts (plastic, rubber, metal) for: – fine grade loose material – coarse grade loose material or discrete items belt, apron, bucket, slat, tray, roller, screw, chain, overhead rail, assembly drag (slat, flight, chain, Redler, etc.) ground level chain, flow accumulating reciprocating, shaker overhead power rail	a b b c
Excavators and dredges cable reels, conveyors, pumps, winches (manoeuvring and utility), stackers, draining wheels cutter head drives, cutters, excavators (bucket ladder, paddle wheel, cutter) vehicles: – on rails – crawlers	b c b c	Rubber and plastics industries extruders: – plastics – rubber mixing mills, warming mills, friction calenders, refiners, tubers and strainers, rolling mills crackers, masticators	b c b c	Sewage treatment biological tanks (revolving disk) dewatering screws, collectors, rotary screens, thickeners, vacuum filters, anaerobic digestion tanks aerators, rotary breakers	b c
Crushers and granulators sugar cane, rubber, plastics minerals, stone	b c	Wrapping and stacking machinery wrapping (film, cardboard), binding, strapping and labelling equipment palletizing/depalletizing and stacking/unstacking machinery, palletizing robots	a b a, b	Screen and riddles air washing, travelling water intake rotary (stone, gravel, cereals) vibrating screens, riddles, jigs	a b c
Cranes, winches and travelling lifts travel (bridge, trolley, forks) ¹⁾ slewing hoist ²⁾	b b a, b	Engineering machine tools boring, shaping, planing, broaching, gear cutting and FMS machines, etc.: – main drivers (cut and feed) auxiliary drives (tools magazine, chip conveyor, workpiece infeed)	b a b	Fans small diameter (centrifugal, axial-flow) large diameter (mines, furnaces, etc.) cooling towers (inducted or forced draft), ducted, piston	a b c
Food industry cookers (cereals and malt), mash tubs slicers, dough mixers, meat grinders, beet slicers, centrifuges, peelers, winemaking plant, bottle/bin/crate washers, rinsers, fillers, corkers, capers, extruders, crate filling and emptying equipment	a b	Mechanisms indexing, crank and slotted link, Maltese cross, articulated parallelogram rod and crank, cam control (cam and tappet, cam and rocker)	b c		
Paper mills winders, suction rolls, dryers, embossing machinery, bleachers, press rolls, coating rolls, paper rolls, beaters, and pulpers agitators, mixers, extruders, chip feeders, calenders, felt dryers and stretchers, rag grinders, washers, thickeners cutters, chippers, calenders (super), felt whippers, glazing machines, presses	b c	Metal mills shears: – trimming, cropping, facing – for sheet/plate, ingots, billets	b c		

* Nature of load reference admits of modification where precise knowledge of duty is available.

1) In the traverse movement of the bridge usually it is necessary to have at least $fs > 1,6$ and in the storeyard cranes $fs > 2$ (container handling).

2) For selection of fs to F.E.M./I-10.1987, consult us.

This page is intentionally left blank.

4 – Thermal power P_t [kW]

Nominal thermal power P_{tN} , written in red in the table, is that which can be applied at the gear reducer input, also for long model, without exceeding 95 °C¹⁾ approximately oil temperature when operating in following running conditions:

- input speed $n_1 = 1\,400\text{ min}^{-1}$;
- mounting position B3;
- continuous duty S1;
- maximum ambient temperature 20 °C (in the table, values referred to 40 °C are stated as well);
- maximum altitude 1 000 m above sea level;
- air speed $\geq 1,25\text{ m/s}$ (Value typical in presence of an gearmotor with self cooled motor).

T_{amb} °C	Gear red. size	Gear reducer size														
		$P_{tN}^{(2)}$ kW														
		40	50	63, 64	80, 81	100	125	140	160	180	200	225	250	280	320,321	360
20	I	-	-	15	22,4	33,5	50	67	75	106	118	170	190	265	300	425
	2I	4,5	6,7	10	15	22,5	33,5	37,5	50	56	80	90	125	140	200	224
	3I	3,35	5	7,5	11,2	17	25	28	37,5	42,5	60	67	95	106	150	170
	4I	-	-	5,6	8,5	12,5	19	-	-	-	-	-	-	-	-	-
	CI	4	6,3	9,5	14	21,2	31,5	42,5	47,5	67	75	106	118	170	190	265
	ICI	2,8	4,25	6,3	9,5	14	21,2	23,6	31,5	35,5	50	-	-	-	-	-
	C2I	-	-	-	-	-	-	28	37,5	42,5	60	67	95	106	150	170
	C3I	-	3,15	4,75	7,1	10,6	16	-	-	-	-	-	-	-	-	-
40	I	-	-	11,2	17	25	37,5	50	56	80	90	125	140	200	224	315
	2I	3,35	5	7,5	11,2	17	25	28	37,5	42,5	60	67	95	106	150	170
	3I	2,5	3,75	5,6	8,5	12,5	19	21,2	28	31,5	45	50	71	80	112	125
	4I	-	-	4,25	6,3	9,5	14	-	-	-	-	-	-	-	-	-
	CI	3	4,75	7,1	10,6	16	23,6	31,5	35,5	50	56	80	90	125	140	200
	ICI	2,12	3,15	4,75	7,1	10,6	16	18	23,6	26,5	37,5	-	-	-	-	-
	C2I	-	-	-	-	-	-	21,2	28	31,5	45	50	71	80	112	125
	C3I	-	2,36	3,55	5,3	8	11,8	-	-	-	-	-	-	-	-	-

Always verify that power applied P_1 is lower than or equal to gear reducer nominal thermal power P_{tN} multiplied by the corrective coefficients $f_{t1}, f_{t2}, f_{t3}, f_{t4}, f_{t5}$ (stated in the following tables) considering the several operational conditions:

$$P_1 \leq P_{tN} \cdot f_{t1} \cdot f_{t2} \cdot f_{t3} \cdot f_{t4} \cdot f_{t5}$$

When the power applied is not constant and when the exact load cycle is given, it is possible, or advisable, to calculate the equivalent power applied, according to the formula:

$$P_{1th} = \frac{1}{\eta} \cdot \sqrt[3]{\frac{P_{21}^3 \cdot t_1 + P_{22}^3 \cdot t_2 + \dots + P_{2i}^3 \cdot t_i + \dots + P_{2n}^3 \cdot t_n}{t_c}}$$

where:

η is the efficiency of gear reducer (see ch. 6);

P_{2i} [kW] is the power, referred to the gear reducer output, required in the time interval t_i [s];

$t_c = t_1 + t_2 + \dots + t_i + \dots + t_n$ is the total duration of load cycle [s].

In these cases choose factor f_{t2} from the continuous duty column S1.

Whenever the thermal verification should not be satisfied, in spite the prearrangement of cooling system, it is possible to install an **independent cooling unit with heat exchanger** (see ch. 17); consult us.

Thermal power needs not be taken into account when maximum duration of continuous running time is 1 ÷ 3 h (from small to large gear reducer sizes) followed by rest periods long enough to restore the gear reducer to near ambient temperature (likewise 1 ÷ 3 h).

In case of maximum ambient temperature above 50 °C or below 0 °C consult us.

Thermal factor f_{t1} ($= f_{t1a} \cdot f_{t1b}$) according to **cooling system** and **input speed n_1**

Cooling system				f_{t1a}, f_{t1b}				
				input speed n_1 [min ⁻¹] \geq				
				710	900	1 120	1 400	1 800
f_{t1a}	Natural convection	train of gears	I	1,4	1,25	1,12	1	0,71
			2I, CI	1,18	1,12	1,06	1	0,85
f_{t1b}	Fan cooling ^{3) 4) 6)}	with 1 radial fan (helical gear unit)	3I, 4I, ICI, C2I, C3I	1,06	1,06	1,03	1	0,95
			with 2 radial fans (helical gear unit)	1,12	1,18	1,25	1,32	1,4
		with 1 radial fan (bevel helical gear unit)		1,25	1,4	1,6	1,8 ⁵⁾	2
	with water coil ⁴⁾					2		
	with internal exchanger ⁴⁾							see ch. 17

1) Corresponding to a mean temperature of the housing external surface approx. equal to 85°C (locally this temperature may also reach the oil one).

2) For bevel helical gear reducers and gearmotors with double extension high speed shaft multiply P_{tN} by **0,85**.

3) With simultaneous water cooling by coil, values are multiplied by 1,8.

4) Refer to ch. 17 about positions, overall dimensions and design verification.

5) Value valid also for proper electric fan (installation by Customer).

6) With axial fan, the values are to be multiplied by 1,12. Consult us.

Thermal factor f_2 according to **ambient temperature** and **service**

Maximum ambient temperature °C	f_2				
	Continous duty	Intermittent duty S3 ... S6			
		Cyclic duration factor [%] for 60 min running ¹⁾			
	S1	60	40	25	15
50	0,6	0,71	0,8	0,95	1
40	0,75	0,9	1	1,12	1,25
30	0,9	1,06	1,18	1,32	1,5
20	1	1,18	1,32	1,5	1,7
10	1,12	1,32	1,5	1,7	1,9

Thermal factor f_4 according to **installation altitude**

Altitude a.s.l.	f_4
m	
≤ 1 000	1
1 000 ÷ 2 000	0,95
2 000 ÷ 3 000	0,9
3 000 ÷ 4 000	0,85
> 4 000	0,8

Thermal factor f_3 according to **mounting position** (see also ch. 8, 10, 12, 14); where it is not specified $f_3 = 1$

Train of gears	Mounting position	f_3								
		140	160	180	200	225	250	280	320, 321	360
R I	B6	1	0,71	0,71	0,71	0,71	0,71	0,71	0,71	0,71
	B7	0,85	0,85	0,85	0,85	0,85	0,85	0,85	0,85	0,85
	B8	0,85	1	0,85	1	0,85	1	0,85	1	0,85
R 2I MR 2I	B6 $i_N \leq 14$ $i_N \geq 16$	1 1	1 1	1 1	0,85 1	0,85 1	0,85 1	0,85 1	0,85 0,85	0,85 0,85
	B7 $i_N \leq 14$ $i_N \geq 16$	1 1	0,71 1	0,71 1	0,71 1	0,71 1	0,71 0,71	0,71 0,71	0,71 0,71	0,71 0,71
	V5 $i_N \leq 14$ $i_N \geq 16$	1 1	1 1	1 1	0,71 1	0,71 1	0,71 1	0,71 1	0,71 0,71	0,71 0,71
	V6 $i_N \leq 14$	1	1	1	1	1	1	1	0,85 ²⁾	0,85 ²⁾
R 3I MR 3I	B6 $i_N \leq 63$	1	1	1	1	1	0,85	0,85	0,85	0,85
	B7 $i_N \leq 63$ $i_N \geq 71$	1 1	1 1	1 1	0,71 1	0,71 1	0,71 1	0,71 1	0,71 0,71	0,71 0,71
	V5 $i_N \leq 63$	1	1	1	1	1	1	1	0,71	0,71
	V6 $i_N \leq 63$	1	1	1	1	1	0,85	0,85	0,85	0,85
R CI	B6 $i_N \leq 8$	1	1	1	1	1	0,85	0,85	0,85	0,85
	B7	1	0,71	0,71	0,71	0,71	0,71	0,71	0,71	0,71
	B8	0,85	1	0,85	1	0,85	1	0,85	1	0,85
	V5, V6 • below • above	1 1	1 0,71	1 0,71	1 0,71	1 0,71	0,85 0,71	0,85 0,71	0,85 0,71	0,85 0,71
MR CI	B7	1	1	1	1	1	0,85	0,85	–	–
	B8	0,85	1	0,85	1	0,85	1	0,85	–	–
	V5, V6 • above	1	1	1	1	1	0,85	0,85	–	–
R C2I	B6 $i_N \leq 28$	1	1	1	1	1	1	1	0,85	0,85
	B7	1	1	1	0,71	0,71	0,71	0,71	0,71	0,71
	V5, V6 • below • above	1 1	1 1	1 1	0,71 1	0,71 1	0,71 1	0,71 1	0,71 0,85	0,71 0,85
MR C2I	B7	1	1	1	1	1	1	1	0,85	0,85

Thermal factor f_5 as dependent on air speed on the housing

Air speed m/s	Working environment	f_5
< 0,63	very small no air movement gear reducer shielded	Consult us
0,63	small and with limited air movement	0,71
1	large and without ventilation	0,90
1,25	large and with slight ventilation (e.g. gearmotor with self-cooled motor)	1,00
2,5	outdoor ventilated	1,18
4	strong air movement	1,32

1) (Duration of running on load [min] / 60) · 100 [%].

2) For MR 2I, $f_3 = 1$.

● Position of reference groove (see ch. 6).



Fan cooling for helical and bevel helical gear reducers, respectively.

With double extension high speed shaft designs, (... **D**, ... **H** and ... **R**) both extensions are **accessible** even with fan fitted: **personal safety-guards are the Buyer's responsibility (2006/42/EC)**.

5 – Selection

5.1 - Preliminary considerations

Motor power

Taking into account the efficiency of the gear reducer, and other drives – if any – motor power is to be as near as possible to the power rating required by the driven machine: accurate calculation is therefore recommended.

The power required by the machine can be calculated, seeing that it is related directly to the power-requirement of the work to be carried out, to friction (starting, sliding or rolling friction) and inertia (particularly when mass and/or acceleration or deceleration are considerable). It can also be determined experimentally on the basis of tests, comparisons with existing applications, or readings taken with amperometers or wattmeters.

An oversized motor would involve: a greater starting current and consequently larger fuses and heavier cable; a higher running cost as power factor ($\cos \varphi$) and efficiency would suffer; greater stress on the drive, causing danger of mechanical failure, drive being normally proportionate to the power rating required by the machine, not to motor power.

In such cases, a detailed description of duty requirement must be made available: duration and frequency per hour of work cycle, acceleration and deceleration requirements if any, inertia, loads deriving from friction and work. In the absence of such data it is essential to provide all details which will permit their determination.

Only high values of ambient temperature, altitude, frequency of starting or other particular conditions require an increase in motor power.

Input speed n_1

For gear reducers, the maximum input speed, valid for **continuous duty S1**, is the one stated in the following table, according to train of gears and to gear reducer size; however, depending on the specific transmission ratio this limit may not be reachable: for these cases, in the selection tables (see ch. 7, 9), the nominal power P_{N2} isn't stated and the given M_{N2} value is valid for the selection method type B (see ch. 5.2) only.

For intermittent duty or for particular needs, higher speeds may be possible, but always lower than values of n_{1peak} : consult us.

Peak speed is admitted for a maximum duration of 5s, including a proper rest period or a low speed period for the cooling of gear reducer, especially on high speed shaft side.

For variable n_1 , the selection should be carried out on the basis of n_{1max} , but it should also be verified on the basis of n_{1min} . When there is a belt drive between motor and gear reducer, different input speeds n_1 should be examined in order to select the most suitable unit from engineering and economy standpoints alike (our catalog favours this method of selection as it shows a number of input speed values n_1 relating to a determined output speed n_{N2} in the same section).

Input speed should not be higher than $1\,800\text{ min}^{-1}$, unless conditions make it necessary; better to take advantage of the transmission, and use an input speed lower than 900 min^{-1} .

Gear reducer size	Train of gear											
	I		2I		3I		CI	ICI		C2I		
	n_{1max} min ⁻¹	n_{1peak} min ⁻¹	n_{1max} min ⁻¹	n_{1peak} min ⁻¹	n_{1max} min ⁻¹	n_{1peak} min ⁻¹	n_{1max} min ⁻¹	n_{1peak} min ⁻¹	n_{1max} min ⁻¹	n_{1peak} min ⁻¹	n_{1max} min ⁻¹	n_{1peak} min ⁻¹
50	–	–	2 800	3 500	–	–	2 800	3 500	2 800	3 500	–	–
63, 64	2 800	3 500	2 800	3 500	2 800	3 500	2 800	3 500	2 800	3 500	–	–
80, 81	2 800	3 500	2 800	3 500	2 800	3 500	2 800	3 500	2 800	3 500	–	–
100	2 800	3 500	2 800	3 500	2 800	3 500	2 800	3 500	2 800	3 500	–	–
125	2 800	3 500	2 800	3 500	2 800	3 500	2 800	3 500	2 800	3 500	–	–
140	2 800	3 500	2 800	3 500	2 800	3 500	2 800	3 500	2 800	3 500	2 800	3 500
160	2 800	3 500	2 800	3 500	2 800	3 500	2 800	3 500	2 800	3 500	2 800	3 500
180	2 800	3 500	2 800	3 500	2 800	3 500	2 800	3 500	2 800	3 500	2 800	3 500
200	2 800	3 500	2 800	3 500	2 800	3 500	2 800	3 500	2 800	3 500	2 800	3 500
225	2 500	3 500	2 800	3 500	2 800	3 500	2 800	3 500	–	–	2 800	3 500
250	2 000	2 360	2 800	3 500	2 800	3 500	2 360	3 350	–	–	2 800	3 500
280	2 000	2 360	2 800	3 500	2 800	3 500	2 360	3 350	–	–	2 800	3 500
320, 321	1 800	2 360	2 000	2 360	2 800	3 500	2 000	2 800	–	–	2 360	3 500
360	1 800	2 360	2 000	2 360	2 800	3 500	2 000	2 800	–	–	2 360	3 500

5.2 - Gear reducer

For the determination of gear reducer size it is possible to proceed in two different ways:

A) considering the **daily running time (h/d)**;

B) considering the **total running duration** request L_h

Method A) is easier but more generic and requires a good knowledge of the applications; on the contrary, method B) is more accurate, but more complex.

Attention: Concerning above mentioned points, the gear reducer nominal performance calculated in the two different ways could slightly differ; in these cases, however, method B), as it is more precise, will be considered valid.

Method A - Determining the gear reducer size considering the daily running time (h/d)

- Fill in the selection questionnaire in all its parts at page 36; in particular, make available the power P_2 required at gear reducer output, the angular speeds n_2 and n_1 , the running conditions (nature of load, daily running time h/d , frequency of starting z , other considerations) referring to ch. 3.
- Determine service factor f_s on the basis of running conditions (ch. 3).
- Select the gear reducer size (also, the train of gears and transmission ratio i at the same time) on the basis of n_2 , n_1 and of a power P_{N2} greater than or equal to $P_2 \cdot f_s$ (ch. 7 and 9).
- Calculate power P_1 required at input side of gear reducer using the formula P_2 / η where $\eta = 0,98 \div 0,92$ is the efficiency of the gear reducer (ch. 6).

When for reasons of motor standardization, power P_1 applied at input side of gear reducer turns out to be higher than the power required (considering motor/gear reducer efficiency), it must be certain that this excess power applied will never be required, and frequency of starting z is so low as not to affect service factor (ch. 3).

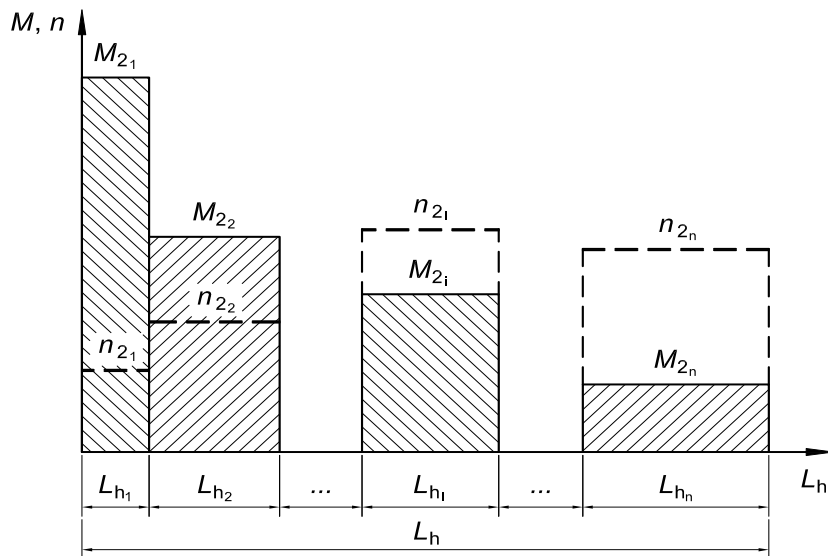
Otherwise, make the selection by multiplying P_{N2} by P_1 applied / P_1 required.

Calculations can also be made on the basis of torque instead of power; this method is even preferable for low n_2 values.

Method B - Determining the gear reducer size considering the total running duration L_h

- Fill in the selection questionnaire in all its parts at page 36; in particular, make available the torque M_2 , the angular speed n_2 required at gear reducer output, the running conditions (nature of load, **total running duration** foreseen L_h , frequency of starting z , other considerations) referring to ch. 3.
- In presence of required torque M_2 and angular speed n_2 **variable in time**, according to a given load cycle, calculate the equivalent torque M_{2eq} and the equivalent angular speed n_{2eq} with the following formulae:

- M_{2i} [N m] is the torque required (constant) in the interval i
- n_{2i} [min⁻¹] is the output shaft speed (constant) during interval i
- t_i [s] is the duration of interval i
- n_{2eq} [min⁻¹] is the equivalent speed in the cycle



$$M_{2eq} = \sqrt[p]{\frac{M_{21}^p \cdot n_{21} \cdot L_{h1} + M_{22}^p \cdot n_{22} \cdot L_{h2} + \dots + M_{2i}^p \cdot n_{2i} \cdot L_{hi} + \dots + M_{2n}^p \cdot n_{2n} \cdot L_{hn}}{n_{2eq} \cdot L_h}}$$

$$n_{2eq} = \frac{n_{21} \cdot L_{h1} + n_{22} \cdot L_{h2} + \dots + n_{2i} \cdot L_{hi} + \dots + n_{2n} \cdot L_{hn}}{L_h}$$

where:

- M_{2eq} [N m] is the load cycle equivalent torque
- M_{2i} [N m] is the required torque (constant) on the low speed shaft during interval i
- n_{2eq} [min⁻¹] is the load cycle equivalent speed
- n_{2i} [min⁻¹] is the speed (constant) of the low speed shaft in the interval i
- L_{hi} [h] is the duration of interval i
- L_h [h] $L_{h1} + \dots + L_{hi} + \dots + L_{hn}$ is the total duration of load cycle
- $p = 3,33$ if $n_{2eq} \cdot L_h$. value stated in the following table according to the train of gears
- $p = 6,61$ if $n_{2eq} \cdot L_h \leq$ value stated in the following table according to the train of gears

$n_{2eq} \cdot L_h [\text{min}^{-1} \cdot \text{h}]$					
R I	R 2I	R 3I	R CI	R ICI	R C2I
2 000 000	2 800 000	4 000 000	1 400 000	2 000 000	710 000

- Select the gear reducer size (also, the train of gears and transmission ratio i at the same time) on the basis of $n_{N2} \cdot L_h$, i_N close to the values previously calculated and on the basis of a torque M_{N2} greater than or equal to $M_2 \cdot fs$ required (or $M_{2eq} \cdot fs$ required), see ch. 7 and 9.
- Calculate power P_1 required at input side of gear reducer using the formula P_2 / η where $\eta = 0,98 \div 0,92$ is the efficiency of the gear reducer (ch. 6).

When for reasons of motor standardization, power P_1 applied at input side of gear reducer turns out to be higher than the power required (considering motor/gear reducer efficiency), it must be certain that this excess power applied will never be required, and frequency of starting z is so low as not to affect service factor (ch. 3).

Otherwise, make the selection by multiplying P_{N2} by P_1 applied P_1 required.

Attention. The values of P_{N2} highlighted in the selection tables with grey background are valid only for the value of n_{N2} specified and therefore they are to be ignored for whatever value of $n_2 \cdot L_h$.

Verifications

- Verify possible radial loads F_{r1} , F_{r2} and axial load F_{a2} by referring to instructions and values given in ch. 16.
- When a load chart is available, and/or there are overloads – due to starting on full load (especially with high inertias and low transmission ratios), braking, shocks, gear reducers in which the low speed shaft becomes driving member due to driven machine inertia, or other static or dynamic causes - verify that the maximum torque peak (ch. 6) is always less than $1,6 \cdot M_{N2}$; if it is higher or cannot be evaluated in the above cases, install a safety device so that $1,6 \cdot M_{N2}$ will never be exceeded.
- Verify, when $fs < 1$, that torque M_2 is less than or equal to M_{N2} value valid for $n_1 \leq 90 \text{ min}^{-1}$ (see pages 107 and 195),
- Verify that input speed is lower than or equal to n_{1max} (see ch. 5.1);
- Verify for each single interval i of the eventual load cycle that the torque required M_{2i} is lower than $1,6 \cdot M_{N2}$ and anyway never higher than M_{N2} valid for $n_1 \leq 90 \text{ min}^{-1}$ (see page 107 and 195) and that the input speed (relevant to the low speed shaft speed n_{2i}) is $n_{i1} \leq n_{1max}$ (see ch. 5.1);
- Verify, usually for sizes ≥ 100 , possible need for forced cooling (ch. 4 and 17).
- For gear reducers sizes 140, 180, 225, 280, 321, 360 with backstop device having particular i_N or low fs values, verify load capacity of backstop device according to the values given in the table «Backstop device load capacity» (ch. 17).

5.3 - Gearmotor

Determining the gearmotors size

- Fill in the selection questionnaire in all its parts at page 36; in particular, make available the necessary data: power P_2 required at gearmotor output, angular speed n_2 , running conditions (nature of load, duration, frequency of starting z , other considerations), referring to ch. 3.
- Determine service factor fs on the basis of running conditions (ch. 3).
- Select the gearmotor size on the basis of n_2 , fs and of a power P_1 greater than or equal P_2 (ch. 11, 13). If power P_2 required is the result of a precise calculation, the gearmotor should be selected on the basis of a power P_1 equal to or greater than P_2 / η , where $\eta = 0,96 \div 0,92$ is gear reducer efficiency (ch. 6). The torque value M_2 stated in the tables (ch. 11, 13) has been calculated taking into account efficiency.

When for reasons of motor standardization, power P_1 available in catalog is much greater than the power P_2 required, the gearmotor can be selected on the basis of a lower service factor ($fs \cdot P_2 / P_1$) provided it is certain that this excess power available will never be required and frequency of starting z is low enough not to affect service factor (ch. 3).

Calculations can also be made on the basis of torque instead of power; this method is even preferable for low n_2 values.

Verifications

- Verify possible radial load F_{r2} and axial load F_{a2} referring to directions and values given in ch. 16.
- For the motor, verify frequency of starting z when higher than that normally permissible, referring to directions and values given in ch. 1.2; this will normally be required for brake motors only.
- Verify, in case of **motors supplied by the customer**, that the **static bending moment M_0** generated by motor weight on the counter flange of gear reducer is lower than the value allowed M_{bmax} , stated in the ch. 6.
Loads higher than permissible loads may be present in dynamical applications where the gearmotor is subjected to translations, rotations or oscillations: consult us for the study of every specific case
- When a load chart is available, and/or there are overloads – due to starting on full load (especially with high inertias and low transmission ratios), braking, shocks, gear reducers in which the low speed shaft becomes driving member due to driven machine inertia, or other static or dynamic causes - verify that the maximum torque peak (ch. 6) is always less than $1,6 \cdot M_{N2}$ ($M_{N2} = M_2 \cdot fs$, see ch. 11 and 13); if it is higher or cannot be evaluated in the above cases, install a safety device so that $1,6 \cdot M_{N2}$ will never be exceeded.
- Verify, usually for $P_1 \geq 30 \text{ kW}$, possible need for forced cooling (ch. 4 and 17).

5.4 - Questionnaire for the selection

For the collection of data and of all information necessary for a correct selection of gear reducer or gearmotor, fill in the questionnaire at the following page.

Attach technical specifications, if any, concerning the gear reducer or the gearmotor excluding other parts of the machine or of the plant.

When it is possible, attach the questionnaire with drawings, pictures and any further information useful to facilitate the best selection from a technical and economic point of view.

1 Conditions of application

Area of application/Industry sector

Type of machine to be driven

new machine
 existing and running machine gear reducer in use

Ambient temperature [°C]
 min normal max

Altitude [m a.s.l.]

Ambient:
 normal (industrial) indoor
 normal (industrial) outdoor
 dusty
 corrosive / humid

Gear reducer position:
 tight space with insufficient air recycle ($v_{air} < 0,63$ m/s)
 wide space with free air recycle ($v_{air} \geq 1,25$ m/s)
 outdoor, protected against extremes of weather and radiation

2 Data of load

Output speed required [min⁻¹]
 min nominal max

Output torque required [N m]
 min nominal max

Power required on low speed shaft [kW]
 min nominal max

Input speed (gear reducers) [min⁻¹]
 min nominal max

Nature of load:
 uniform
 moderate overloads
 heavy overloads

Frequency of starting [starts/h]

Moment of inertia of machine [kg m²]
 min normal max

Running time [h/d]

Total duration [h]

Duty cycle (S1 ... S10)

Load cycle attached
 yes
 no

3 Motor

Motor type:
 asynchronous three-phase (a.c.)
 asynchronous three-phase + inverter
 d.c. + converter
 internal combust. (one - cylinder)
 internal combust. (multi-cylinder)

Power P₁ [kW]
 min nominal max

Nominal speed n₁ [min⁻¹]
 min nominal max

A.c. motor supply:
 voltage [V] frequency [Hz]

IEC motor size (a.c. motor)

A.c. motor connection:
 direct
 Y / Δ
 soft starter / inverter

Electromagnetic brake
 parking
 working
 safety

Braking torque [N m]

Starting torque [N m]

Moment of inertia [kg m²]

Electric motor design (a.c. and d.c.):
 with fan cooling
 with encoder
 with tachometer generator

Connection with gear reducer:
 with coupling
 with V-belt

section	No.	d _m [mm]	d ₁ [mm]
<input type="text"/>	<input type="text"/>	<input type="text"/>	<input type="text"/>

 with toothed belt

section	No.	d _m [mm]
<input type="text"/>	<input type="text"/>	<input type="text"/>

Eventual limitation of drive overall dimensions

4 Gear reducer

Mounting position

Output shaft direction of rotation
 white arrow
 black arrow
 black and white arrow

Backstop device (if any)
 white arrow free rotation
 black arrow free rotation

Type of cooling admitted
 fan cooling
 coil
 internal heat exchanger
 unit UR O/A
 unit UR O/W

Type of connection to machine
 shaft mounting
 flexible / semi-flexible coupling
 universal coupling
 timing belt

pitch	d _m	d ₁	ψ
<input type="text"/>	<input type="text"/>	<input type="text"/>	<input type="text"/>

 chain

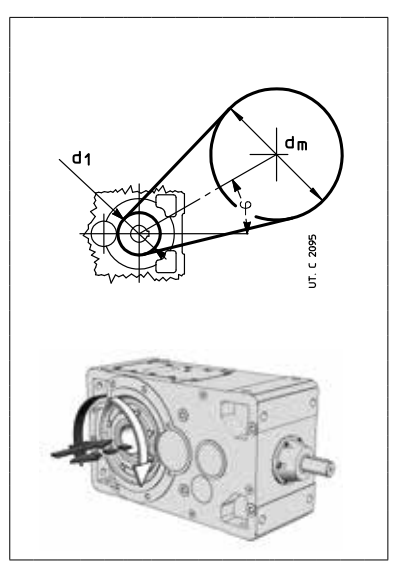
pitch	No.	Z ₂	Z ₃	overhang [mm]	ψ
<input type="text"/>	<input type="text"/>	<input type="text"/>	<input type="text"/>	<input type="text"/>	<input type="text"/>

 straight tooth helical gear pair

pitch	No.	Z ₂	Z ₃	overhang [mm]	ψ
<input type="text"/>	<input type="text"/>	<input type="text"/>	<input type="text"/>	<input type="text"/>	<input type="text"/>

Eventual axial load F_a [N]
 ← →

Eventual reduction of drive overall dimensions



6 – Structural and operational details

Sound levels L_{WA} and L_{pA}	38
Gear ratio of input helical train of gears	38
Efficiency	38
Overload	39
Operation with brake motor	39
Angular backlash and torsional stiffness	40
Moment of inertia (of mass) J_1 [kg m ²]	40
Gear reducer input face	41
High and low speed shaft end	42
Reference groove	43
Plug dimensions	43
Filler and level plugs	43
Expansion tank (sizes 100 ... 360)	43
Cap overall dimension (sizes 63, 64, 125 and 140)	43
Reaction recess (2I, 3I, 4I sizes 40 ... 125)	44
Fastening tapped holes (sizes 125 ... 321)	44
Low speed shaft zone (sizes 140, 180, 225, 280, 360)	44
Directions of rotation	45
Bearing and/or gear pair forced lubrication: hydraulic circuit diagram	46
Bearing and/or gear pair forced lubrication with oil/air or oil/water independent cooling unit: hydraulic circuit diagram	47
Maximum bending moment of flange MR	48

Sound levels L_{WA} and \bar{L}_{pA}

Standard production sound power level L_{WA} [dB(A)]¹⁾ and mean sound pressure level \bar{L}_{pA} [dB(A)]²⁾ assuming nominal load, and input speed $n_1 = 1\,400$ ³⁾ min⁻¹. Tolerance +3 dB(A).

Gear reducer size	I		2I		3I, 4I		CI		ICI, C2I, C3I							
	$i_N \leq 3,55$	$i_N \geq 4$	$i_N \leq 14$	$i_N \geq 16$	$i_N \leq 90$	$i_N \geq 100$	$i_N \leq 18$	$i_N \geq 20$	$i_N \leq 80$ (ICI)	$i_N \geq 100$ (ICI, C3I)	$i_N \leq 71$ (C2I)	$i_N \geq 80$ (C2I)				
	L_{WA}	\bar{L}_{pA}	L_{WA}	\bar{L}_{pA}	L_{WA}	\bar{L}_{pA}	L_{WA}	\bar{L}_{pA}	L_{WA}	\bar{L}_{pA}	L_{WA}	\bar{L}_{pA}	L_{WA}	\bar{L}_{pA}		
40, 50	–	–	–	–	75	66	72	63	71	64	–	–	73	64	71	62
63, 64	83	74	79	70	78	69	75	66	74	64	72	62	76	67	73	64
80, 81	86	77	82	73	81	72	78	69	77	67	75	65	79	70	75	66
100	89	80	85	76	84	75	81	72	80	70	78	68	82	73	78	69
125, 140	92	83	88	79	87	77	84	74	83	73	80	70	85	76	80	71
160, 180	95	86	91	82	90	79	87	76	86	75	83	72	88	79	83	74
200, 225	99 ⁴⁾	89 ⁴⁾	95 ⁴⁾	85 ⁴⁾	93	82	90	79	89	78	86	75	92	82	87	77
250, 280	102 ⁴⁾	92 ⁴⁾	98 ⁴⁾	88 ⁴⁾	96	85	93	82	92	81	89	78	94	84	89	79
320 ... 360	106 ⁴⁾	96 ⁴⁾	102 ⁴⁾	92 ⁴⁾	100	89	97	86	96	85	93	82	98	88	93	83

1) To ISO/CD 8579.

2) Mean value of measurement at 1 m from external profile of gear reducer standing in free field on a reflecting surface.

3) For $n_1 = 710 \div 1\,800$ min⁻¹, modify tabulated values: thus $n_1 = 710$ min⁻¹, -3 dB(A); $n_1 = 900$ min⁻¹, -2 dB(A); $n_1 = 1\,200$ min⁻¹, -1 dB(A); $n_1 = 1\,800$ min⁻¹, +2 dB(A).

4) For sizes R I 225, 280 and 360, increase values of 1 dB(A).

In case of gearmotor (motor supplied by Rossi) add 1 dB(A) to the values in the table for 4 poles 50 Hz motors, and add 2 dB(A) for 4 poles 60 Hz motors.

If required, gear reducers can be supplied with reduced sound levels (normally 3 dB(A) less than tabulated values): consult us.

In case of gear reducers with fan cooling, add to the values in the table 3 dB(A) for 1 fan and 5 dB(A) for 2 fans.

Gear ratio of input helical train of gears

The partial transmission ratio of input helical train of gears is given in the table; this ratio may be useful when calculating the speed of the intermediate shaft extension for ... **D** design (see ch. 8, 10, 12, 14).

Gear reducer size	Gear ratio of input helical train of gears									
	Gear ratio		Gearmotors							
	$i_N \leq 80$	$i_N \geq 100$	Motor size							
			63, 71B5R	71, 80 B5R	80, 90 B5R	90, 100 B5R, 112 B5R	100, 112, 132 B5R	132, 160 B5R	160, 180, 200 B5R	200, 225
3I 40			2,41	–	–	–	–	–	–	–
3I 50			2,59	1,89	–	–	–	–	–	–
3I 63, 64										
ICI 40, 50	3,12		3,5	2,54	2,03	–	–	–	–	–
4I 63, 64			10,9	7,91	–	–	–	–	–	–
C3I 40,50	–									
3I, ICI 80, 81										
ICI 63, 64	3,18		–	3,18 (3,8) ¹⁾	2,54	2	–	–	–	–
4I, C3I 80, 81										
C3I 63, 64	–		–	10,1 (12,1) ¹⁾	8,08	–	–	–	–	–
3I, ICI 100	3,18	6,38	–	–	3,18 (3,8) ¹⁾	2,54	2	–	–	–
4I, C3I 100	–	–	–	–	10,1 (12,1) ¹⁾	8,08	–	–	–	–
3I, ICI 125										
ICI 140	3,13	6,36	–	–	–	3,13 (3,86) ¹⁾	2,54 (3,13) ²⁾	2,03	–	–
4I, C3I 125	–	–	–	–	–	9,77 (12,1) ¹⁾	7,92	–	–	–
ICI 160, 180	3,17	6,38	–	–	–	–	3,17 (4) ¹⁾	2,56	2 (2,56) ³⁾	–
ICI 200	3,17	6,38	–	–	–	–	–	3,17 (3,8) ¹⁾	2,56 (3,17) ²⁾	2 (2,56) ³⁾

1) Values valid for trains of gears: **3I** with $i_N \geq 100$, **ICI** with $i_N \geq 100$, **4I** with $i_N \geq 315$, **C3I** with $i_N = 400$.

2) Values valid for trains of gears: **3I** with $i_N = 80$, **ICI** with $i_N \geq 80$.

3) Values valid for train of gears: **ICI** with $i_N \geq 63$.

Efficiency

The efficiency stated in the table is indicative and referred to nominal running conditions (torque, speed, temperature); it is necessary to keep in mind that the efficiency value can diminish considerably for values of $M_2 \ll M_{N2}$

Model	Nominal efficiency η			
	I	2I, CI	3I, ICI, C2I	C3I, 4I
2, 3	0,98	0,96	0,94	0,92
4	–	0,95	0,935	–

Overloads

When a gear reducer is subjected to high static and dynamic overloads, the need arises for verifying that such overloads will always remain lower than $1,6 \cdot M_{N2}$ (see ch. 7, 9; see ch. 11, 13 where $M_{N2} = M_2 \cdot fs$).

Overloads are normally generated when one has:

- starting on full load (especially for high inertias and low transmission ratios), braking, shocks;
- gear reducers in which the low speed shaft becomes driving member due to driven machine inertia;
- applied power higher than that required; other static or dynamic causes.

The following general observations on overloads are accompanied by some formulae for carrying out evaluations in certain typical instances.

Where no evaluation is possible, install safety devices which will keep values within $1,6 \cdot M_{N2}$.

Starting torque

When starting on full load (especially for high inertias and low transmission ratios) verify that $1,6 \cdot M_{N2}$ is equal to or greater than starting torque, by using the following formula:

$$M_2 \text{ start} = \left(\frac{M \text{ start}}{M_N} \cdot M_2 \text{ available} - M_2 \text{ required} \right) \frac{J}{J + J_0} + M_2 \text{ required}$$

where:

M_2 required is the torque absorbed by the machine through work and frictions;

M_2 available is the output torque due to motor nominal power;

J_0 is the moment of inertia (of mass) of the motor;

J is the external moment of inertia (of mass) in kg m² (gear reducers, couplings, driven machine) referred to the motor shaft;

NOTE: when seeking to verify that starting torque is sufficiently high for starting, take into account starting friction, if any, in evaluating M_2 required.

Stopping machines with high kinetic energy (high moments of inertia combined with high speeds) with brake motor

Verify braking stress by means of the formula:

$$\left(\frac{Mf}{\eta} \cdot i + M_2 \text{ required} \right) \frac{J}{J + J_0} - M_2 \text{ required} < 1,6 \cdot M_{N2}$$

where:

Mf is the braking torque setting (see table in ch. 1.2); for other symbols see above and ch. 1.

Operation with brake motor

Starting time t_a and revolutions of motor φ_{a_1}

$$t_a = \frac{(J_0 + J) \cdot n_1}{9,55 \left(M \text{ start} - \frac{M_2 \text{ required}}{i} \right)} \text{ [s];} \quad \varphi_{a_1} = \frac{t_a \cdot n_1}{19,1} \text{ [rad]}$$

Braking time t_f and revolutions of motor φ_{f_1}

$$t_f = \frac{(J_0 + J) \cdot n_1}{9,55 \left(Mf + \frac{M_2 \text{ richiesto}}{i} \right)} \text{ [s];} \quad \varphi_{f_1} = \frac{t_f \cdot n_1}{19,1} \text{ [rad]}$$

where:

$M \text{ start}$ [N m] is motor starting torque $\left(\frac{9550 \cdot P_1}{n_1} \cdot \frac{M \text{ start}}{M_N} \right)$ (see ch. 1.2);

Mf [N m] is the braking torque setting of the motor (see ch. 1.2);

for other symbols see above and ch. 1.

Assuming a regular air-gap and ambient humidity, and utilizing suitable electrical equipment, repetition of the braking action, as affected by variation in temperature of the brake and by the state of wear of friction surface, is approx $\pm 0,1 \cdot \varphi_{f_1}$.

Friction surface life

As a rough guide (see specific literature), the number of braking permissible between

successive adjustments of the air-gap is given by the formula $\frac{W \cdot 10^5}{Mf \cdot \varphi_{f_1}}$

where:

W [MJ] is the work of friction between successive adjustments of the airgap as indicated in the table; for other symbols see above.

The air-gap should measure between 0,25 minimum and 0,6 maximum; as a rough guide, 5 adjustments can be made.

Motor size	W [MJ]
63	10,6
71	14
80	18
90	24
100	24
112	45
132	67
160, 180M	90
180L, 200	125

Angular backlash and torsional stiffness

A rough guide for the angular backlash (high speed shaft being locked) is given in the table. It varies according to temperature and transmission ratio.

Also the **approx.** values for low speed shaft torsional stiffness – high speed shaft being locked – are given in the table according to the train of gears.

The values stated in the table, since necessarily estimated, are to be considered valid for long model too. On request, gear reducers with **reduced backlash** lower than or equal to the minimum table values are available.

Gear reducer size	Angular backlash ¹⁾				Torsional stiffness ²⁾			
	[rad]		[arcmin]		[N m / arcmin]			
	min	max	min	max	I	2I, CI	3I, ICI, C2I	4I, C3I
40	0,0043	0,0085	15	29	–	4,8	2,4	–
50	0,0036	0,0071	12	24	–	8,5	4,8	2,8
63	0,0028	0,0056	9,6	19	31,5	18	10	5,6
64	0,0028	0,0056	9,6	19	35,5	19	10,6	5,6
80	0,0025	0,0050	8,6	17	63	35,5	20	11,2
81	0,0025	0,0050	8,6	17	71	37,5	21,2	11,2
100	0,0020	0,0040	6,9	14	125	70	40	22,4
125	0,0017	0,0034	5,8	12	250	140	80	45
140	0,0017	0,0034	5,8	12	355	200	112	–
160	0,0016	0,0032	5,5	11	500	280	160	–
180	0,0016	0,0032	5,5	11	710	400	224	–
200	0,0015	0,0030	5,2	10	1000	560	315	–
225	0,0015	0,0030	5,2	10	1400	800	450	–
250	0,0014	0,0028	4,8	9,6	2000	1120	630	–
280	0,0014	0,0028	4,8	9,6	2800	1600	900	–
320, 321	0,0013	0,0026	4,5	8,9	4000	2240	1250	–
360	0,0013	0,0026	4,5	8,9	5600	3150	1800	–

1) At the distance of 1 m from the low speed shaft centre, angular backlash expressed in mm is obtained in by multiplying the value in rad stated in the table by 1 000 (1 rad = 3438').

2) Values valid in condition of nominal load.

Moment of inertia (of mass) J_1 [kg m²]

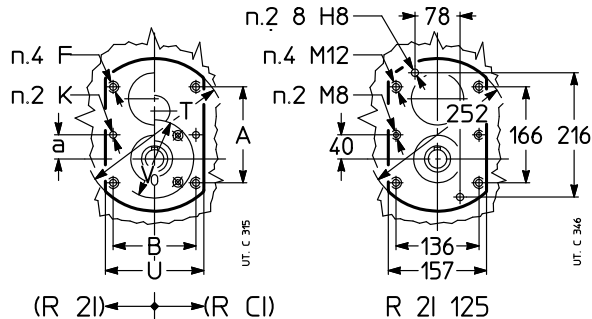
Train of gear i_N	Gear reducer size										
	100	125	140	160	180	200	225	250	280	320, 321	360
I											
2 ... 2,5	0,0026	0,0085	0,0140	0,0299	0,0505	0,0848	0,1484	0,2617	0,4380	0,8918	1,5290
2,8 ... 3,15	0,0020	0,0068	0,0110	0,0238	0,0399	0,0667	0,1160	0,2067	0,3411	0,6987	1,1885
3,55 ... 4	0,0015	0,0045	0,0085	0,0167	0,0309	0,0466	0,0872	0,1433	0,2599	0,4872	0,8992
4,5 ... 5	0,0011	0,0034	0,0057	0,0131	0,0213	0,0354	0,0613	0,1091	0,1823	0,3698	0,6344
2I											
6,3 ... 12,5	0,0009	0,0029	0,0031	0,0091	0,0102	0,0292	0,0325	0,0893	0,0987	0,2812	0,3158
6,3 ... 12,5 ¹⁾	0,0014	0,0043	0,0045	0,0133	0,0144	0,0430	0,0463	0,1279	0,1373	0,3967	0,4313
14 ... 28	–	0,0014	0,0017	0,0046	0,0055	0,0151	0,0185	0,0518	0,0566	0,1448	0,1747
14 ... 28 ¹⁾	–	0,0022	0,0025	0,0067	0,0086	0,0216	0,025	0,0709	0,0757	0,1981	0,2555
3I											
28 ... 63	–	–	–	0,0019	0,0020	0,0060	0,0063	0,0181	0,0190	0,0599	0,0631
28 ... 63 ¹⁾	–	–	–	0,0023	0,0024	0,0074	0,0077	0,0220	0,0229	0,0715	0,0747
71 ... 160	–	–	–	0,0009	0,0009	0,0027	0,0028	0,0083	0,0085	0,0270	0,0278
71 ... 160 ¹⁾	–	–	–	0,0010	0,0010	0,0031	0,0031	0,0093	0,0095	0,0303	0,0310
CI											
4 ... 8	0,0013	0,0038	0,0042	0,0123	0,0137	0,0369	0,0414	0,1093	0,1281	0,3372	0,4004
9 ... 11,2	0,0009	0,0025	0,0033	0,0072	0,0105	0,0223	0,0321	0,0706	0,1001	0,2214	0,3146
12,5 ... 16	–	0,0015	0,0018	0,0051	0,0061	0,0158	0,0187	0,0502	0,0589	0,1496	0,1929
18, 20	–	0,0008	0,0010	0,0029	0,0035	0,0085	0,0102	0,0279	0,0328	0,1140	0,1319
25 ... 31,5	–	–	–	0,0016	–	0,0047	–	0,0158	–	–	–
C2I											
20 ... 31,5	–	–	–	0,0039	0,0042	0,0125	0,0133	0,0375	0,0398	0,1131	0,1214
35,5 ... 63	–	–	–	0,0017	0,0018	0,0055	0,0058	0,0172	0,0179	0,0548	0,0574
71 ... 100	–	–	–	0,0007	0,0007	0,0025	0,0026	0,0074	0,0076	0,0240	0,0248
125, 160	–	–	–	0,0004	0,0004	0,0013	0,0013	0,0038	0,0039	0,0133	0,0136
ICI											
31,5 ... 80	–	–	–	0,0010	0,0011	0,0032	–	–	–	–	–
100 ... 200	–	–	–	0,0005	0,0005	0,0015	–	–	–	–	–

1) Values valid for long model.

Gear reducer input face

Following gear reducers have a machined surface and threaded holes for an eventual motor support etc. on gear reducer input side (also on opposite side for R I, R 2I sizes ≥ 140 , R 3I sizes ≥ 140 , model 4 excluded, R CI, R C2I).

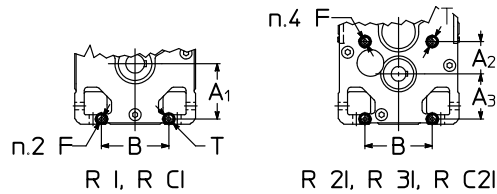
R 2I 50 ... 125
R CI 50 ... 100



Gear reducer size		a	A	B	F	K Ø H8	T Ø	U
R 2I	R CI				1)	2)		
50	-	16	72	54	M 5	5	103	66
63, 64	50	20	81,5	66,5	M 5	5	119	80
80, 81	63 ... 81	25	106	80	M 6	6	149	96
100	100	31,3	125	108	M 8	8	187	129

1) Working length of thread 2 · F.
2) Working length of thread 1,6 · K.
For dimension V_0 (R CI only) see ch. 10.

R I 125 ... 360
R 2I 140 ... 360
R 3I 140 ... 360
R CI 125 ... 360
R C2I 140 ... 360

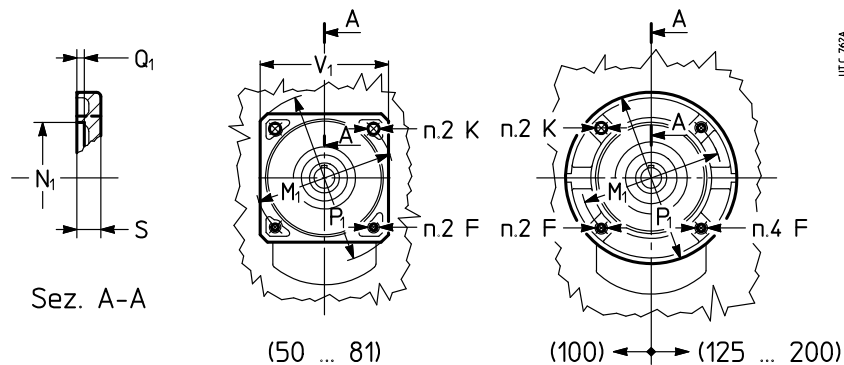


Gear reducer size		A ₁	A ₂	A ₃	B	F Ø 1)	T
R I, R CI	R 2I, R 3I, R C2I						
125, 140	140	138	81	113	162	M 12	25
160, 180	160, 180	165	96	135	201	M 16	32
200, 225	200, 225	207	115	162	250	M 20	40
250, 280	250, 280	258	143	203	310	M 24	48
320 ... 360	320 ... 360	327	180	252	386	M 30	60

1) Working length of thread 1,25 · F.
If spigot is required, consult us.

The input face of gear reducers have a **machined flange** and **holes** for eventual motor fastening etc.

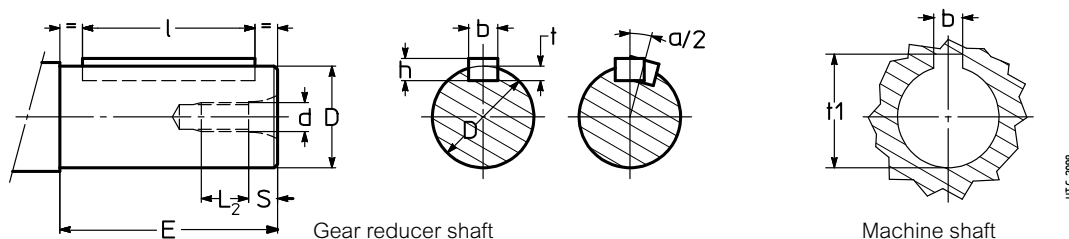
R 3I 63 ... 125
R ICI 50 ... 200



Gear reducer size		F	K Ø	M ₁ Ø	N ₁ Ø	P ₁ Ø	V ₁ □	Q ₁	S
R 3I	R ICI	1)			H7				
63, 64	50	M 8	9,5	115	95	140	105	4	11
80, 81	63 ... 81	M 8	9,5	130	110	160	120	4,5	12
100	100	M 10	11,5	165	130	200	-	4,5	14
125	125, 140	M 10	-	165	130	200	-	4,5	16
-	160, 180	M 12	-	215	180	250	-	5	18
-	200	M 12	-	265	230	300	-	5	20

1) Working length of thread 1,25 · F.

High and low speed shaft end



Ø D ₃₎	Shaft end					Key			Keyway	
	E ¹⁾	d Ø	S	L ₂ ¹⁾	α/2 ²⁾ arc min	b × h × l ¹⁾ h9 h11	b H9 hub N9 shaft	t shaft	t ₁ hub	
11	j 6	23	M 5	3,6	9,4	–	4 × 4 × 18	4	2,5	12,7
14	j 6	30	M 6	4,6	11,4	–	5 × 5 × 25	5	3	16,2
16	j 6	30	M 6	4,6	11,4	–	5 × 5 × 25	5	3	18,2
19	j 6	40 (30)	M 6	4,6	11,4 (13,4)	5,43	6 × 6 × 36 (25)	6	3,5	21,8
24	j 6	50 (36)	M 8	5,9	15,1 (17,1)	5,16	8 × 7 × 45 (25)	8	4	27,2
28	j 6	60	M 8	5,9	15,1	–	8 × 7 × 45	8	4	31,2
30	–	58	M 10	7,6	20,4	4,13	8 × 7 × 45	8	4	33,2
32	k 6	80 (58)	M 10	7,6	18,4 (20,4)	3,87	10 × 8 × 70 (50)	10	5	35,3
38	k 6	80 (58)	M 10	7,6	18,4 (20,4)	3,27	10 × 8 × 70 (50)	10	5	41,3
40	–	58	M 10	7,6	20,4	3,7	12 × 8 × 50	12	5	43,3
42	k 6	110	M 12	9,5	22,5	–	12 × 8 × 90	12	5	45,3
45	k 6	110	M 12	9,5	22,5	–	14 × 9 × 90	14	5,5	48,8
48	k 6	110 (82)	M 12	9,5	22,5 (26,5)	3,08	14 × 9 × 90 (70)	14	5,5	51,8
55	m 6	110	M 12	9,5	22,5	–	16 × 10 × 90	16	6	59,3
60	m 6	140 (105)	M 16	12,7	27,3 (35,3)	2,46	18 × 11 × 110 (90)	18	7	64,4
70	m 6	140 (105)	M 16	12,7	27,3 (35,3)	2,55	20 × 12 × 125 (90)	20	7,5	74,9
75	m 6	140	M 16	12,7	27,3	–	20 × 12 × 125	20	7,5	79,9
80	–	130	M 20	16	44	2,23	22 × 14 × 110	22	9	85,4
90	m 6	170 (130)	M 20	16	34 (44)	1,99	25 × 14 × 140 (110)	25	9	95,4
95	m 6	170	M 20	16	34	–	25 × 14 × 140	25	9	100,4
100	–	165	M 24	19	41	1,79	28 × 16 × 140	28	10	106,4
110	m 6	210 (165)	M 24	19	41	1,63	28 × 16 × 180 (140)	28	10	116,4
125	–	200 ⁴⁾	M 30	22	45	1,71	32 × 18 × 180	32	11	132,4
140	–	200	M 30	22	45	1,52	36 × 20 × 180	36	12	148,4
160	–	240	M 36	27	54	1,33	40 × 22 × 220	40	13	169,4
180	–	240	M 36	27	54	1,18	45 × 25 × 220	45	15	190,4

1) Values in brackets are for short shaft end.

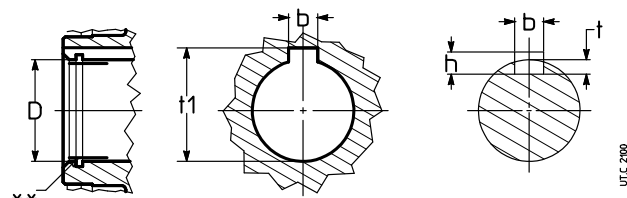
2) Maximum angular misalignment between double extension shaft keys.

3) Tolerance valid only for high speed shaft ends. For low speed shaft ends see ch. 17 (1) and (2).

4) Value **not to** standard.

Hollow low speed shafts

Hole Ø D H7	Parallel key			Keyway		
	b h9	h h11	l	b H9 hub N9 shaft	t shaft	t ₁ hub
19	6 × 6 × 50			6	3,5	21,8
24	8 × 7 × 63			8	4	27,3
30	8 × 7 × 63			8	4,5 ¹⁾	32,7 ¹⁾
32	10 × 8 × 70			10	5	35,3
38	10 × 8 × 90			10	5,5 ¹⁾	40,7 ¹⁾
40	12 × 8 × 90			12	5	43,3
48	14 × 9 × 110			14	5,5	51,8
60	18 × 11 × 140			18	7	64,4
70	20 × 12 × 180			20	8 ¹⁾	74,3 ¹⁾
80	22 × 14 × 200			22	9	85,4
90	25 × 14 × 200			25	9	95,4
100	28 × 16 × 250			28	10	106,4
110	28 × 16 × 250			28	10	116,4
125	32 × 18 × 320			32	11	132,4
140	36 × 20 × 320			36	12	148,4
160	40 × 22 × 400			40	14 ¹⁾	168,3 ¹⁾
180	45 × 25 × 400			45	15	190,4



** Gear reducer hollow shaft

* Machine shaft

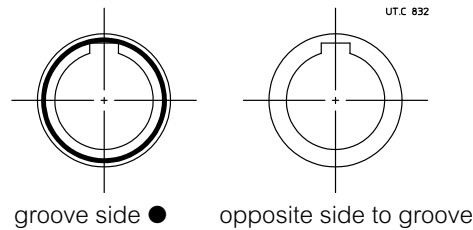
* Recommended length.

** Each hollow shaft (standard, stepped, with shrink disc) has a slightly oversized diameter **D** (at the input) to facilitate the assembly of gear reducer on machine shaft end: this, however, does not affect the connection reliability.

1) Values **not to** standard.

Reference groove

The reference for identification of the hollow low speed shaft side opposite to which it is advisable to apply the radial load, is provided by a groove as shown in the drawing below. The position of the reference groove is identified by the symbol ● in the drawings «Design» of ch. 8, 10, 12 and 14.



Plug dimensions

Gear reducer size	40, 50	63 ... 81	100 ... 140	160 ... 280	320 ... 360
Size threaded holes	G 1/4"	M16 x 1,5	G 1/2"	G 3/4"	G 1"
Tightening torque Nm	7	14	14	14	25

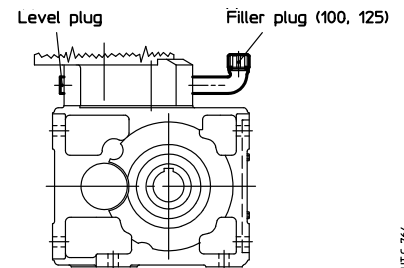
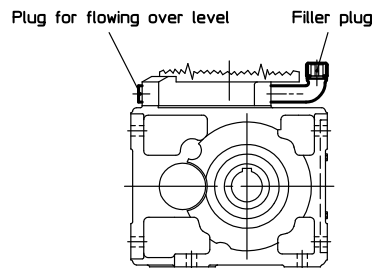
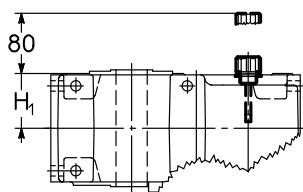
Filler and level plugs

2I, 3I, 4I (100, 125)
mounting position **V6**

ICI (100 ... 200)
mounting position **B6¹⁾**

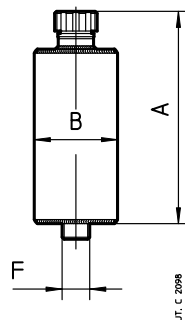
C3I (100 ... 125)
mounting position **B6¹⁾**

3I (125)
mounting position **V5¹⁾**



1) For high speed continuous duty an expansion tank is envisaged: consult us.

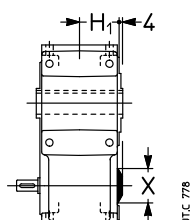
Expansion tank (sizes 100 ... 360)



Gear reducer size	A	B	F	Plug
100 ... 140	131	46	G1/2"	1/2"
160 ... 280	205	80	G3/4"	3/4"
320 ... 360	230	102	G1"	1"

Cap overall dimension (sizes 63, 64, 125 and 140)

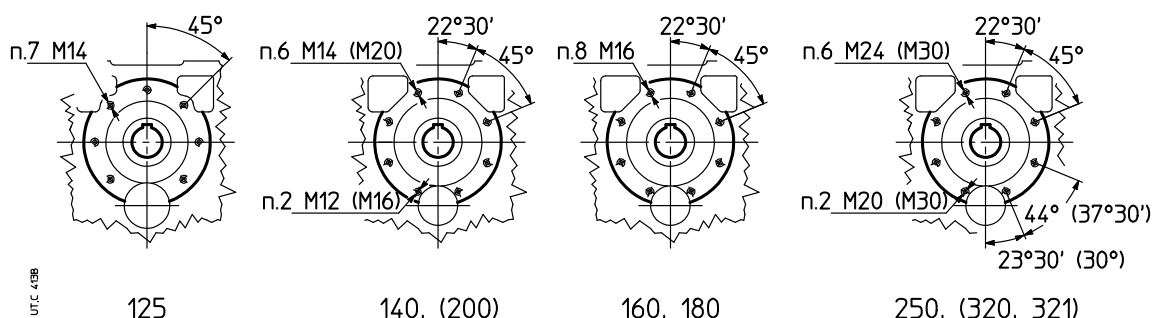
In the gear reducers and garmotors stated in the table, the cap opposite to high speed shaft overhangs of 4 mm from H₁ dimension (see ch. 8,10, 12, 14), due to backstop device pre-arrangement.



Gear reducer size	X Ø
63, 64	47
125	72
140	72

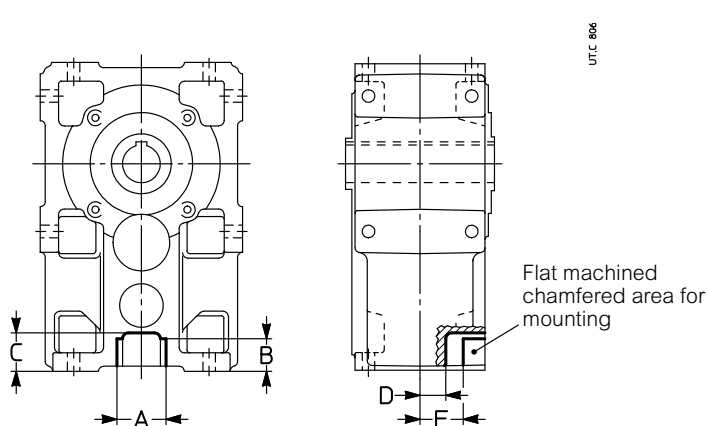
Fastening tapped holes (sizes 125 ... 321)

The relevant through holes to be realized on the driven machine must be all of equal diameter for sizes 140, 200 and 250 (Ø 15, Ø 21 and Ø 25, respectively) as the 2 holes of smaller diameter are not in the position of 22° 30'.



Reaction recess (2I, 3I, 4I sizes 40 ... 125)

Sizes 2I, 3I, 4I 40 ... 125 have a housing with a reaction recess having machined lateral surfaces, laying on the high speed side (opposite to groove), for the seating of springs and torque arm end for shaft mounting (see ch. 17 «Shaft mounting arrangements»).



Gear reducer size	A	B	C	D	E
H11			≈		
40	23	18,5	22	14	25
50	29,7	23,5	26	15,5	28
63, 64	32,5	25,5	31	22,5	36,5
80, 81	45,8	27	36	27	41
100	63	27	38,5	36	54,5
125	67	37	52	46	64

Low speed shaft zone (sizes 140, 180, 225, 280, 360)

In standard model helical gear reducers the perspective pulley, if mounted against shaft shoulder (always advisable), can have a maximum diameter of:

- **R I**, at the distance of $H1 + Q + 3$ (ch. 8), 115 (size 140), 150 (size 180), 180 (size 225), 230 (size 280), 300 (size 360).
- **R 2I, R 3I**, at the distance $H1 + Q + 3$ (ch. 8), 315 (size 140), 400 (size 180), 500 (size 225), 630 (size 280), 800 (size 360).

The use of pulleys with larger diameter is allowed on condition that they don't overhang from the shaft end and provided that the maximum radial load values are observed (see ch.16); consult us if need be.



Helical gear reducers
(I 140, 180, 225, 280, 360)

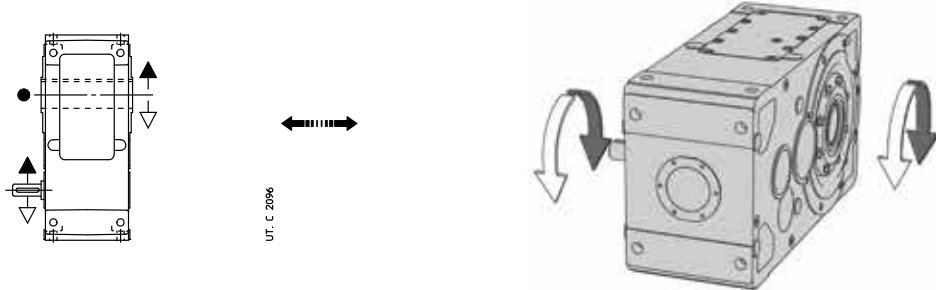


Helical gear reducers
(2I, 3I 140, 180, 225, 280, 360)

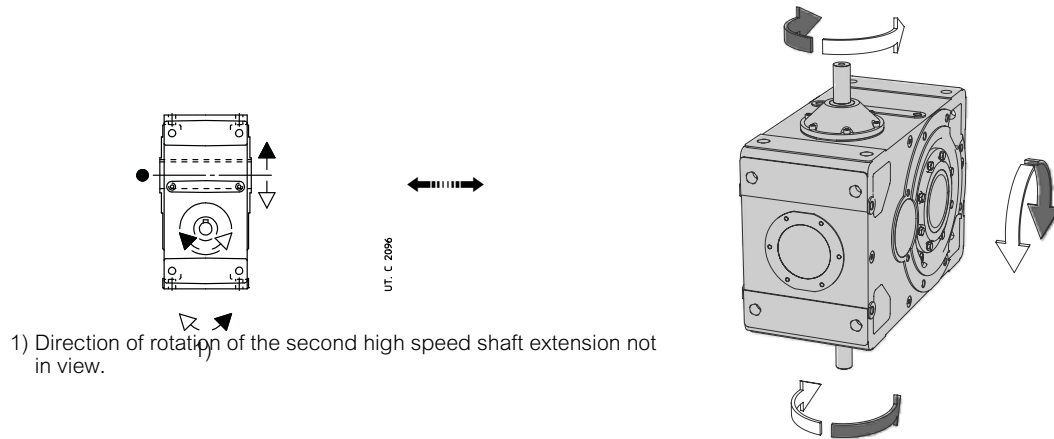
Directions of rotation

The correspondence between the high speed shaft (of gear reducer or gearmotor) and low speed shaft is stated at ch. 8, 10, 12, 14 according to design and train of gears. For the interpretation of arrows, refer to the following 3D sketches.

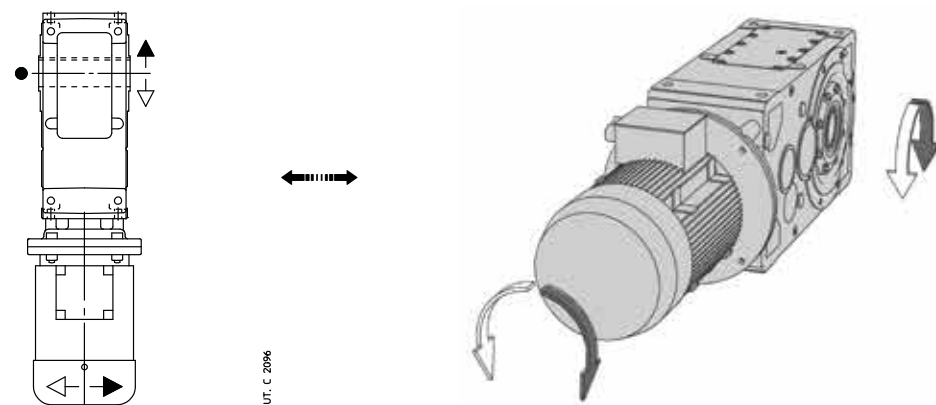
Helical gear reducer R 2I UP2A



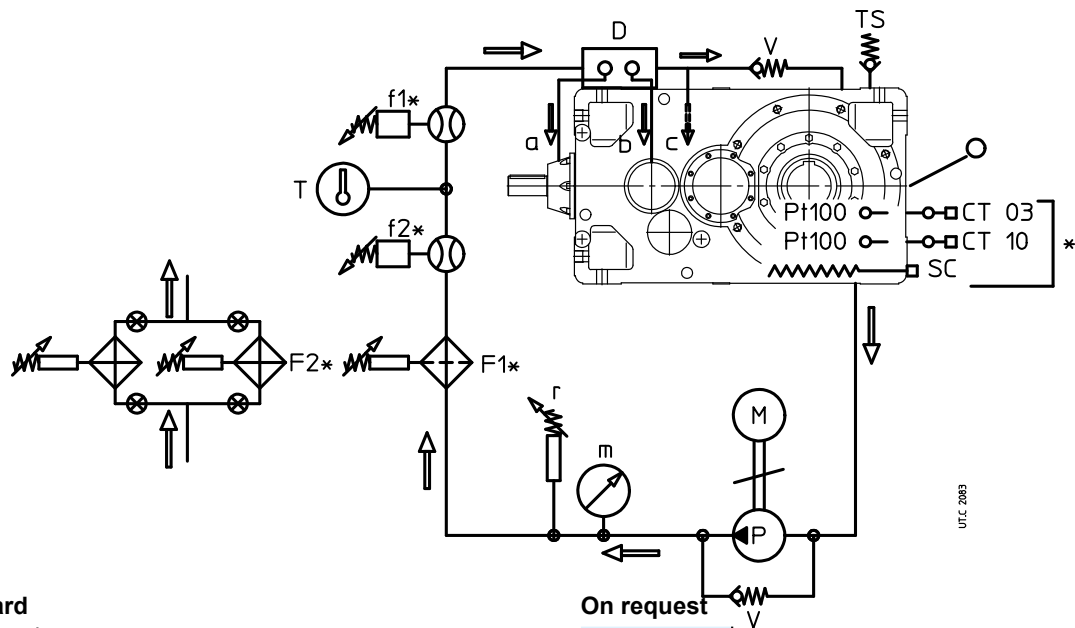
Bevel helical gear reducer R CI UO2D



Bevel helical gearmotor MR C2I UO2A



Bearing and/or gear pair forced lubrication: hydraulic circuit diagram



Standard

a, b, c	Gear pair/bearing pipes
m	Pressure gauge (0 ÷ 16 bar)
M	Motor pump
P	Pump
T	Thermometer
V	Safety valve
r	Minimum pressure gauge
TS	Filler plug
D	Distributor
	Oil level (approximate)

On request

Pt 100*	Oil temperature probe (loose)*
f1	Electric flow switch: vertical mounting
f2	Visible flow switch
F1	Filter
F2	Exchange filters
CT03*, CT10*	Signalling device (loose)*
SC*	Heater

* On request, but necessary for gear reducer starting with $T_{ambient} (= T_{oil}) \leq 25 \text{ }^\circ\text{C}$: preheat the oil with the heater.

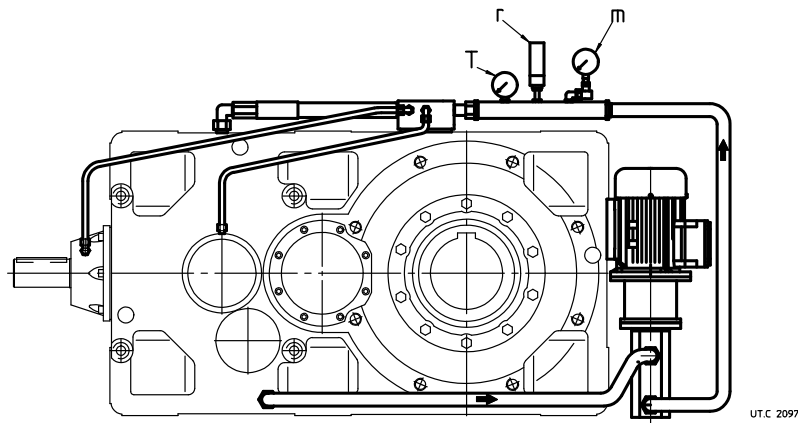
NOTES:

The bearings and/or the gear pairs to be forced lubricated are defined by Rossi according to gear reducer and application.

CT03: set the operating threshold at 50 °C (stopping the heater supply) and the reset threshold at 30 °C.

CT10: set the operating threshold at 30 °C to start gear reducer and motor pump; set the reset threshold at 10 °C and the safety threshold at 90 °C.

For the gear reducer starting at $T_{ambient} (= T_{oil}) \leq 0 \text{ }^\circ\text{C}$ the same logic is valid, but the devices CT03 and CT10 must be set according to the real ambient temperature.



Sketch of forced lubrication with motor pump; the exact position of motor pump depends on the gear reducer size, train of gears, mounting position and available overall dimensions: for this reason, on request, a drawing of the specific solution will be supplied; the pipes will be realized with suction and delivery flexible pipes and with rigid pipes between the distributor and the bearings.

Maximum bending moment of flange MR

In case of assembly of motors supplied by the customer, verify that the static bending moment M_b generated by motor weight on the counter flange of gear reducer is lower than the value allowed M_{bmax} , stated in the table:

$$M_b \leq M_{bmax}$$

where:

$$M_b = G \cdot (X + HF) / 1000 \text{ [N m]}$$

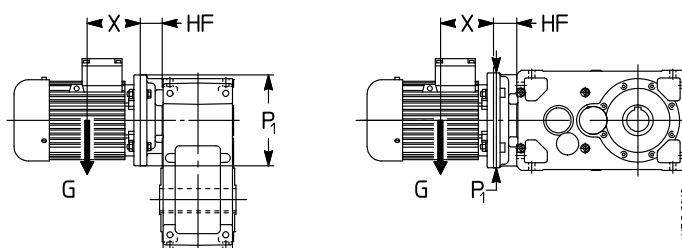
G [N] motor weight; numerically nearly equal to motor mass, expressed in kg, multiplied by 10.

X [mm] distance from motor center of gravity from flange surface

HF [mm] supplied in the table, according to gear reducer size and flange diameter P_1

Very long and thin motors, though with bending moments within the prescribed limits, may generate anomalous vibrations during the operation. In these cases it is necessary to foresee a proper additional motor support (see motor specific documentation).

Loads higher than permissible loads may be present in dynamical applications where the gearmotor is subjected to translations, rotations or oscillations (e.g.: shaft mounting arrangements): consult us for the study of every specific case.



Bending moment M_{bmax} and dimension HF

Size	P_1 Ø	2I, 3I		4I		CI		ICI		C3I		C2I	
		HF mm	M_{bmax} N m	HF mm	M_{bmax} N m	HF mm	M_{bmax} N m	HF mm	M_{bmax} N m	HF mm	M_{bmax} N m	HF ¹⁾ mm	M_{bmax} N m
40	140	28	28	-	-	31	63	31	63	-	-	-	-
	160	-	-	-	-	31	63	31	63	-	-	-	-
50	140	28	56	-	-	31	63	31	63	50	63	-	-
	160	30	56	-	-	31	63	31	63	50	63	-	-
	200	-	-	-	-	31	63	31	63	-	-	-	-
63, 64	140	31	63	51	63	-	-	-	-	-	-	-	-
	160	31	63	51	63	38	112	38	112	65	112	-	-
	200	31	112	-	-	38	112	38	112	65	112	-	-
80, 81	160	38	112	66	112	-	-	38	112	65	112	-	-
	200	38	200	66	112	38	200	38	112	65	112	-	-
	250	38	200	-	-	50	200	-	-	-	-	-	-
100	200	45	280	79	280	45	280	45	280	78	280	-	-
	250	45	280 ²⁾	-	-	45	450	45	280	-	-	-	-
	300	65	450	-	-	65	450	-	-	-	-	-	-
125	200	55	500	100	500	-	-	55	500	99	500	-	-
	250	55	500	100	500	-	-	55	500	99	500	-	-
	300	61	1 400	-	-	70	560	56	900	-	-	-	-
	350	75	1 400	-	-	100	900	-	-	-	-	-	-
140	200	-	-	-	-	-	-	55	500	-	-	-	-
	250	30	560	-	-	-	-	55	500	-	-	45 (30)	560
	300	55	560	-	-	70	560	56	900	-	-	70 (55)	900 ³⁾
	350	75	900	-	-	100	900	-	-	-	-	-	-
160, 180	250	50	1 250	-	-	-	-	67	710	-	-	55 (25)	180
	300	50	1 250	-	-	-	-	67	710	-	-	70 (50)	1 250
	350	75	1 250	-	-	102	1 250	80	1 120	-	-	100 (75)	1 250
	400	65	1 250	-	-	102	1 250	-	-	-	-	-	-
	450	95	2 000	-	-	132	2 000	-	-	-	-	-	-
200, 225	300	67	2 500	-	-	-	-	80	1 800	-	-	72 (27)	630
	350	67	2 500	-	-	100	2 500	80	1 800	-	-	102 (67)	2 500
	400	67	2 500	-	-	100	2 500	80	1 800	-	-	102 (67)	2 500
	450	97	2 500	-	-	130	2 500	90	1 800	-	-	132 (97)	2 500
	550	97	4 000	-	-	130	4 000	-	-	-	-	-	-
250, 280	350	65	4 500	-	-	-	-	-	-	-	-	100 (45)	1 400
	400	65	4 500	-	-	-	-	-	-	-	-	100 (45)	4 500
	450	95	4 500	-	-	130	4 500	-	-	-	-	130 (75)	4 500
	550	95	4 500	-	-	130	4 500	-	-	-	-	130 (75)	4 500
	660	115	4 750	-	-	160	4 750	-	-	-	-	-	-
320 ... 360	400	85	9 000	-	-	-	-	-	-	-	-	100 (25)	1 600
	450	85	9 000	-	-	-	-	-	-	-	-	130 (55)	2 800
	550	95	9 000	-	-	-	-	-	-	-	-	130 (65)	9 000
	660	115	9 000	-	-	-	-	-	-	-	-	160 (85)	9 000

1) The values in bracket is valid for design UO2V, UO2Vsin, UO2R, UO2Rsin.

2) 450 N m for MR 2I.

3) 560 Nm for design UO2V, UO2Vsin, UO2R, UO2Rsin.

7 – Helical gear reducer selection tables

$n_{N2} \cdot L_h$ min ⁻¹ · h	i_N	P_{N2} kW																i_N	n_1 min ⁻¹	n_{N2}	
		M_{N2} N m																			
		... / i																			
		50	63	64	80	81	100	125	140	160	180	200	225	250	280	320	321	360			
90 000 000	2	-	-	-	-	-	-	1 140 I/2	-	2 180 I/1,95	-	4 080 I/2,05	-	7 040 I/2	-	12 210 I/1,95	15 260 I/1,95	-			
80 000 000	2,24	-	-	-	-	-	-	1 170 I/2,28	1 540 I/2,3	2 240 I/2,21	3 050 I/2,24	4 180 I/2,2	5 700 I/2,27	7 400 I/2,33	10 120 I/2,3	12 810 I/2,26	16 020 I/2,26	17 860 I/2,29			
	2	-	-	-	-	-	-	1 180 I/2	-	2 260 I/1,95	-	4 220 I/2,05	-	7 290 I/2	-	12 630 I/1,95	15 780 I/1,95	-			
71 000 000	2,5	-	175 I/2,53	-	330 I/2,44	-	650 I/2,55	1 220 I/2,53	1 610 I/2,53	2 350 I/2,44	3 250 I/2,5	4 370 I/2,55	5 820 I/2,43	7 580 I/2,53	10 570 I/2,53	13 120 I/2,44	16 390 I/2,44	18 610 I/2,5			
	2,24	-	-	-	-	-	-	1 210 I/2,28	1 590 I/2,3	2 320 I/2,21	3 160 I/2,24	4 320 I/2,2	5 900 I/2,27	7 660 I/2,33	10 470 I/2,3	13 260 I/2,26	16 570 I/2,26	18 480 I/2,29			
	2	-	-	-	-	-	-	1 220 I/2	-	2 330 I/1,95	-	4 370 I/2,05	-	7 530 I/2	-	13 050 I/1,95	16 310 I/1,95	-			
63 000 000	2,8	-	-	-	-	-	-	1 250 I/2,75	1 610 I/2,82	2 400 I/2,81	3 310 I/2,83	4 570 I/2,82	5 830 I/2,83	8 350 I/2,81	10 580 I/2,82	13 420 I/2,81	16 780 I/2,81	19 000 I/2,83			
	2,5	-	180 I/2,53	-	345 I/2,44	-	670 I/2,55	1 270 I/2,53	1 660 I/2,53	2 430 I/2,44	3 360 I/2,5	4 530 I/2,55	6 020 I/2,43	7 840 I/2,53	10 930 I/2,53	13 570 I/2,44	16 960 I/2,44	19 260 I/2,5			
	2,24	-	-	-	-	-	-	1 250 I/2,28	1 650 I/2,3	2 390 I/2,21	3 260 I/2,24	4 470 I/2,2	6 100 I/2,27	7 910 I/2,33	10 820 I/2,3	13 700 I/2,26	17 120 I/2,26	19 100 I/2,29			
	2	-	-	-	-	-	-	1 260 I/2	-	2 410 I/1,95	-	4 520 I/2,05	-	7 790 I/2	-	13 500 I/1,95	16 880 I/1,95	-			
56 000 000	3,15	-	190 I/3,28	-	355 I/3,13	-	690 I/3,27	1 310 I/3,28	1 680 I/3,13	2 510 I/3,13	3 380 I/3,25	4 660 I/3,27	6 170 I/3,18	8 120 I/3,28	11 830 I/3,19	14 020 I/3,13	17 530 I/3,13	19 390 I/3,25			
	2,8	-	-	-	-	-	-	1 300 I/2,75	1 660 I/2,82	2 480 I/2,81	3 430 I/2,83	4 720 I/2,82	6 030 I/2,83	8 640 I/2,81	10 940 I/2,82	13 890 I/2,81	17 360 I/2,81	19 660 I/2,83			
	2,5	-	190 I/2,53	-	355 I/2,44	-	695 I/2,55	1 310 I/2,53	1 720 I/2,53	2 510 I/2,44	3 470 I/2,5	4 680 I/2,55	6 220 I/2,43	8 100 I/2,53	11 300 I/2,53	14 020 I/2,44	17 530 I/2,44	19 900 I/2,5			
	2,24	-	-	-	-	-	-	1 290 I/2,28	1 700 I/2,3	2 480 I/2,21	3 380 I/2,24	4 620 I/2,2	6 310 I/2,27	8 190 I/2,33	11 200 I/2,3	14 170 I/2,26	17 720 I/2,26	19 760 I/2,29			
	2	-	-	-	-	-	-	1 300 I/2	-	2 490 I/1,95	-	4 660 I/2,05	-	8 040 I/2	-	13 940 I/1,95	17 420 I/1,95	-			
50 000 000	3,55	-	-	-	-	-	-	1 340 I/3,62	1 710 I/3,64	2 420 I/3,62	3 510 I/3,6	4 760 I/3,57	6 290 I/3,67	8 730 I/3,62	11 250 I/3,64	14 620 I/3,5	18 280 I/3,5	20 140 I/3,6			
	3,15	-	195 I/3,28	-	365 I/3,13	-	715 I/3,27	1 360 I/3,28	1 740 I/3,13	2 590 I/3,13	3 500 I/3,25	4 830 I/3,27	6 380 I/3,18	8 400 I/3,28	12 240 I/3,19	14 510 I/3,13	18 140 I/3,13	20 060 I/3,25			
	2,8	-	-	-	-	-	-	1 340 I/2,75	1 720 I/2,82	2 570 I/2,81	3 540 I/2,83	4 880 I/2,82	6 230 I/2,83	8 930 I/2,81	11 310 I/2,82	14 350 I/2,81	17 940 I/2,81	20 320 I/2,83			

For n_1 lower than 560 min⁻¹ see page 107.

$n_{N2} \cdot L_h$ min ⁻¹ · h	i_N	P_{N2} kW																i_N	n_1	n_{N2} min ⁻¹	
		M_{N2} N m																			
		50	63	64	80	81	100	125	140	160	180	200	225	250	280	320	321				360
50 000 000	2,5	-	195 I/2,53	-	365 I/2,44	-	720 I/2,55	1 350 I/2,53	1 780 I/2,53	2 590 I/2,44	3 590 I/2,5	4 840 I/2,55	6 440 I/2,43	8 380 I/2,53	11 690 I/2,53	14 510 I/2,44	18 140 I/2,44	20 590 I/2,5			
	2,24	-	-	-	-	-	-	1 330 I/2,28	1 760 I/2,3	2 550 I/2,21	3 480 I/2,24	4 770 I/2,2	6 510 I/2,27	8 450 I/2,33	11 560 I/2,3	14 630 I/2,26	18 290 I/2,26	20 390 I/2,29			
	2	-	-	-	-	-	-	1 350 I/2	-	2 580 I/1,95	-	4 830 I/2,05	-	8 330 I/2	-	14 440 I/1,95	18 050 I/1,95	-			
45 000 000	4	-	185 I/4	-	375 I/4,16	-	560 I/3,92	1 140 I/4	1 780 I/4,08	2 690 I/4,13	3 390 I/4,15	4 990 I/4,13	6 520 I/4,07	8 450 I/4	12 300 I/4,08	15 710 I/4,07	19 640 I/4,07	20 890 I/4			
	3,55	-	-	-	-	-	-	1 390 I/3,62	1 770 I/3,64	2 500 I/3,62	3 630 I/3,6	4 930 I/3,57	6 510 I/3,67	9 030 I/3,62	11 640 I/3,64	15 130 I/3,5	18 910 I/3,5	20 840 I/3,6			
	3,15	-	200 I/3,28	-	380 I/3,13	-	740 I/3,27	1 400 I/3,28	1 790 I/3,13	2 680 I/3,13	3 620 I/3,25	4 990 I/3,27	6 600 I/3,18	8 680 I/3,28	12 650 I/3,19	14 990 I/3,13	18 740 I/3,13	20 730 I/3,25			
	2,8	-	-	-	-	-	-	1 390 I/2,75	1 780 I/2,82	2 660 I/2,81	3 670 I/2,83	5 050 I/2,82	6 440 I/2,83	9 240 I/2,81	11 700 I/2,82	14 850 I/2,81	18 560 I/2,81	21 020 I/2,83			
	2,5	-	200 I/2,53	-	380 I/2,44	-	740 I/2,55	1 400 I/2,53	1 840 I/2,53	2 680 I/2,44	3 710 I/2,5	4 990 I/2,55	6 640 I/2,43	8 650 I/2,53	12 070 I/2,53	14 970 I/2,44	18 720 I/2,44	21 250 I/2,5			
	2,24	-	-	-	-	-	-	1 380 I/2,28	1 820 I/2,3	2 650 I/2,21	3 610 I/2,24	4 940 I/2,2	6 740 I/2,27	8 750 I/2,33	11 970 I/2,3	15 150 I/2,26	18 940 I/2,26	21 130 I/2,29			
	2	-	-	-	-	-	-	1 390 I/2	-	2 680 I/1,95	-	5 010 I/2,05	-	8 630 I/2	-	14 960 I/1,95	18 700 I/1,95	-			
40 000 000	4,5	-	-	-	-	-	-	1 160 I/4,45	1 750 I/4,5	2 730 I/4,5	3 550 I/4,67	5 080 I/4,5	6 500 I/4,67	9 330 I/4,47	11 370 I/4,5	16 180 I/4,5	20 220 I/4,5	22 220 I/4,6			
	4	-	190 I/4	-	390 I/4,16	-	580 I/3,92	1 180 I/4	1 840 I/4,08	2 780 I/4,13	3 500 I/4,15	5 170 I/4,13	6 750 I/4,07	8 740 I/4	12 720 I/4,08	16 260 I/4,07	20 320 I/4,07	21 610 I/4			
	3,55	-	-	-	-	-	-	1 430 I/3,62	1 830 I/3,64	2 590 I/3,62	3 760 I/3,6	5 090 I/3,57	6 730 I/3,67	9 330 I/3,62	12 030 I/3,64	15 640 I/3,5	19 550 I/3,5	21 530 I/3,6			
	3,15	-	210 I/3,28	-	390 I/3,13	-	765 I/3,27	1 450 I/3,28	1 860 I/3,13	2 770 I/3,13	3 740 I/3,25	5 160 I/3,27	6 830 I/3,18	8 980 I/3,28	13 080 I/3,19	15 510 I/3,13	19 390 I/3,13	21 450 I/3,25			
	2,8	-	-	-	-	-	-	1 430 I/2,75	1 840 I/2,82	2 740 I/2,81	3 780 I/2,83	5 210 I/2,82	6 650 I/2,83	9 530 I/2,81	12 070 I/2,82	15 330 I/2,81	19 160 I/2,81	21 700 I/2,83			
	2,5	-	210 I/2,53	-	390 I/2,44	-	770 I/2,55	1 450 I/2,53	1 900 I/2,53	2 770 I/2,44	3 840 I/2,5	5 170 I/2,55	6 880 I/2,43	8 960 I/2,53	12 500 I/2,53	15 510 I/2,44	19 390 I/2,44	22 020 I/2,5			
	2,24	-	-	-	-	-	-	1 430 I/2,28	1 890 I/2,3	2 740 I/2,21	3 740 I/2,24	5 120 I/2,2	6 990 I/2,27	9 070 I/2,33	12 410 I/2,3	15 710 I/2,26	19 630 I/2,26	21 900 I/2,29			
	2	-	-	-	-	-	-	1 450 I/2	-	2 770 I/1,95	-	5 190 I/2,05	-	8 950 I/2	-	15 510 I/1,95	19 390 I/1,95	-			

For n_1 lower than 560 min⁻¹ see page 107.

$n_{N2} \cdot L_h$ min ⁻¹ · h	i_N	P_{N2} kW																i_N	n_1 min ⁻¹	n_{N2} min ⁻¹	
		M_{N2} N m																			
		... / i																			
		50	63	64	80	81	100	125	140	160	180	200	225	250	280	320	321	360			
35 500 000	5	-	190 1/5	-	390 1/5,2	-	585 1/4,82	1 190 1/5	1 790 1/5	2 770 1/4,92	3 440 1/5,07	5 160 1/4,92	6 600 1/5,07	8 340 1/5,08	13 050 1/5	16 490 1/4,92	20 610 1/4,92	22 790 1/5,07			
	4,5	-	-	-	-	-	-	1 200 1/4,45	1 810 1/4,5	2 820 1/4,5	3 670 1/4,67	5 250 1/4,5	6 730 1/4,67	9 650 1/4,47	11 770 1/4,5	16 740 1/4,5	20 920 1/4,5	22 980 1/4,6			
	4	-	195 1/4	-	405 1/4,16	-	600 1/3,92	1 220 1/4	1 900 1/4,08	2 870 1/4,13	3 620 1/4,15	5 340 1/4,13	6 970 1/4,07	9 030 1/4	13 150 1/4,08	16 800 1/4,07	21 000 1/4,07	22 340 1/4			
	3,55	-	-	-	-	-	-	1 480 1/3,62	1 890 1/3,64	2 680 1/3,62	3 890 1/3,6	5 270 1/3,57	6 960 1/3,67	9 650 1/3,62	12 440 1/3,64	16 180 1/3,5	20 220 1/3,5	22 280 1/3,6			
	3,15	-	215 1/3,28	-	405 1/3,13	-	790 1/3,27	1 500 1/3,28	1 910 1/3,13	2 860 1/3,13	3 860 1/3,25	5 330 1/3,27	7 050 1/3,18	9 270 1/3,28	13 500 1/3,19	16 010 1/3,13	20 010 1/3,13	22 140 1/3,25			
	2,8	-	-	-	-	-	-	1 480 1/2,75	1 900 1/2,82	2 840 1/2,81	3 920 1/2,83	5 400 1/2,82	6 890 1/2,83	9 870 1/2,81	12 510 1/2,82	15 880 1/2,81	19 850 1/2,81	22 480 1/2,83			
	2,5	-	215 1/2,53	-	405 1/2,44	-	795 1/2,55	1 500 1/2,53	1 970 1/2,53	2 870 1/2,44	3 980 1/2,5	5 360 1/2,55	7 130 1/2,43	9 290 1/2,53	12 950 1/2,53	16 080 1/2,44	20 100 1/2,44	22 820 1/2,5			
	2,24	-	-	-	-	-	-	1 480 1/2,28	1 960 1/2,3	2 840 1/2,21	3 880 1/2,24	5 310 1/2,2	7 240 1/2,27	9 400 1/2,33	12 860 1/2,3	16 280 1/2,26	20 350 1/2,26	22 700 1/2,29			
	2	-	-	-	-	-	-	1 500 1/2	-	2 870 1/1,95	-	5 370 1/2,05	-	9 270 1/2	-	16 070 1/1,95	20 080 1/1,95	-			
	31 500 000	5	-	195 1/5	-	405 1/5,2	-	605 1/4,82	1 230 1/5	1 850 1/5	2 870 1/4,92	3 560 1/5,07	5 340 1/4,92	6 830 1/5,07	8 630 1/5,08	13 500 1/5	17 060 1/4,92	21 320 1/4,92	23 580 1/5,07		
4,5		-	-	-	-	-	-	1 240 1/4,45	1 880 1/4,5	2 920 1/4,5	3 800 1/4,67	5 430 1/4,5	6 950 1/4,67	9 970 1/4,47	12 160 1/4,5	17 300 1/4,5	21 620 1/4,5	23 750 1/4,6			
4		-	200 1/4	-	415 1/4,16	-	620 1/3,92	1 260 1/4	1 970 1/4,08	2 970 1/4,13	3 750 1/4,15	5 530 1/4,13	7 210 1/4,07	9 340 1/4	13 610 1/4,08	17 380 1/4,07	21 730 1/4,07	23 110 1/4			
3,55		-	-	-	-	-	-	1 530 1/3,62	1 950 1/3,64	2 760 1/3,62	4 010 1/3,6	5 440 1/3,57	7 180 1/3,67	9 960 1/3,62	12 840 1/3,64	16 700 1/3,5	20 870 1/3,5	22 990 1/3,6			
3,15		-	225 1/3,28	-	420 1/3,13	-	820 1/3,27	1 550 1/3,28	1 980 1/3,13	2 970 1/3,13	4 000 1/3,25	5 520 1/3,27	7 300 1/3,18	9 600 1/3,28	13 990 1/3,19	16 590 1/3,13	20 730 1/3,13	22 930 1/3,25			
2,8		-	-	-	-	-	-	1 540 1/2,75	1 970 1/2,82	2 940 1/2,81	4 060 1/2,83	5 600 1/2,82	7 140 1/2,83	10 230 1/2,81	12 960 1/2,82	16 460 1/2,81	20 570 1/2,81	23 300 1/2,83			
2,5		-	225 1/2,53	-	420 1/2,44	-	825 1/2,55	1 560 1/2,53	2 040 1/2,53	2 980 1/2,44	4 130 1/2,5	5 560 1/2,55	7 390 1/2,43	9 630 1/2,53	13 430 1/2,53	16 670 1/2,44	20 830 1/2,44	23 650 1/2,5			
2,24		-	-	-	-	-	-	1 540 1/2,28	2 030 1/2,3	2 950 1/2,21	4 020 1/2,24	5 500 1/2,2	7 500 1/2,27	9 740 1/2,33	13 330 1/2,3	16 870 1/2,26	21 080 1/2,26	23 510 1/2,29			
2		-	-	-	-	-	-	1 550 1/2	-	2 970 1/1,95	-	5 560 1/2,05	-	9 590 1/2	-	16 620 1/1,95	20 780 1/1,95	-			

For n_1 lower than 560 min⁻¹ see page 107.

$n_{N2} \cdot L_h$ min ⁻¹ · h	i_N	P_{N2} kW																i_N	n_1	n_{N2} min ⁻¹	
		M_{N2} N m																			
		... / i																			
		50	63	64	80	81	100	125	140	160	180	200	225	250	280	320	321	360			
28 000 000	6,3	99 21/6,42	185 21/6,53	220 21/6,86	390 21/6,41	445 21/6,41	810 21/6,42	1 630 21/6,53	—	3 260 21/6,41	—	7 470 21/6,42	—	14 970 21/6,53	—	25 380 21/6,41	29 970 21/6,41	—			
	5	—	205 1/5	—	420 1/5,2	—	625 1/4,82	1 270 1/5	1 910 1/5	2 970 1/4,92	3 680 1/5,07	5 510 1/4,92	7 050 1/5,07	8 920 1/5,08	13 950 1/5	17 630 1/4,92	22 040 1/4,92	24 370 1/5,07			
	4,5	—	—	—	—	—	—	1 290 1/4,45	1 940 1/4,5	3 020 1/4,5	3 930 1/4,67	5 610 1/4,5	7 190 1/4,67	10 320 1/4,47	12 580 1/4,5	17 900 1/4,5	22 370 1/4,5	24 570 1/4,6			
	4	—	210 1/4	—	430 1/4,16	—	640 1/3,92	1 300 1/4	2 030 1/4,08	3 070 1/4,13	3 870 1/4,15	5 700 1/4,13	7 440 1/4,07	9 650 1/4	14 040 1/4,08	17 940 1/4,07	22 420 1/4,07	23 850 1/4			
	3,55	—	—	—	—	—	—	1 590 1/3,62	2 020 1/3,64	2 860 1/3,62	4 160 1/3,6	5 630 1/3,57	7 440 1/3,67	10 320 1/3,62	13 300 1/3,64	17 300 1/3,5	21 620 1/3,5	23 820 1/3,6			
	3,15	—	230 1/3,28	—	435 1/3,13	—	850 1/3,27	1 610 1/3,28	2 060 1/3,13	3 070 1/3,13	4 150 1/3,25	5 720 1/3,27	7 560 1/3,18	9 950 1/3,28	14 500 1/3,19	17 190 1/3,13	21 490 1/3,13	23 770 1/3,25			
	2,8	—	—	—	—	—	—	1 590 1/2,75	2 040 1/2,82	3 050 1/2,81	4 210 1/2,83	5 800 1/2,82	7 400 1/2,83	10 610 1/2,81	13 440 1/2,82	17 060 1/2,81	21 320 1/2,81	24 150 1/2,83			
	2,5	—	230 1/2,53	—	435 1/2,44	—	855 1/2,55	1 610 1/2,53	2 120 1/2,53	3 090 1/2,44	4 280 1/2,5	5 760 1/2,55	7 660 1/2,43	9 980 1/2,53	13 910 1/2,53	17 260 1/2,44	21 580 1/2,44	24 500 1/2,5			
	2,24	—	—	—	—	—	—	1 590 1/2,28	2 100 1/2,3	3 050 1/2,21	4 160 1/2,24	5 690 1/2,2	7 760 1/2,27	10 080 1/2,33	13 790 1/2,3	17 450 1/2,26	21 810 1/2,26	24 330 1/2,29			
	2	—	—	—	—	—	—	1 600 1/2	—	3 070 1/1,95	—	5 740 1/2,05	—	9 900 1/2	—	17 160 1/1,95	21 450 1/1,95	—			
25 000 000	6,3	100 21/6,42	190 21/6,53	230 21/6,86	400 21/6,41	455 21/6,41	835 21/6,42	1 670 21/6,53	—	3 340 21/6,41	—	7 670 21/6,42	—	15 370 21/6,53	—	26 060 21/6,41	30 770 21/6,41	—			
	5	—	210 1/5	—	435 1/5,2	—	645 1/4,82	1 310 1/5	1 980 1/5	3 070 1/4,92	3 810 1/5,07	5 710 1/4,92	7 300 1/5,07	9 230 1/5,08	14 430 1/5	18 240 1/4,92	22 800 1/4,92	25 210 1/5,07			
	4,5	—	—	—	—	—	—	1 330 1/4,45	2 000 1/4,5	3 120 1/4,5	4 050 1/4,67	5 800 1/4,5	7 430 1/4,67	10 650 1/4,47	12 990 1/4,5	18 470 1/4,5	23 090 1/4,5	25 360 1/4,6			
	4	—	215 1/4	—	445 1/4,16	—	665 1/3,92	1 350 1/4	2 110 1/4,08	3 180 1/4,13	4 010 1/4,15	5 910 1/4,13	7 710 1/4,07	9 990 1/4	14 550 1/4,08	18 580 1/4,07	23 230 1/4,07	24 710 1/4			
	3,55	—	—	—	—	—	—	1 640 1/3,62	2 100 1/3,64	2 960 1/3,62	4 310 1/3,6	5 840 1/3,57	7 710 1/3,67	10 700 1/3,62	13 790 1/3,64	17 930 1/3,5	22 410 1/3,5	24 690 1/3,6			
	3,15	—	240 1/3,28	—	450 1/3,13	—	880 1/3,27	1 670 1/3,28	2 130 1/3,13	3 190 1/3,13	4 300 1/3,25	5 930 1/3,27	7 840 1/3,18	10 310 1/3,28	15 030 1/3,19	17 820 1/3,13	22 270 1/3,13	24 640 1/3,25			
	2,8	—	—	—	—	—	—	1 650 1/2,75	2 120 1/2,82	3 160 1/2,81	4 360 1/2,83	6 010 1/2,82	7 670 1/2,83	10 990 1/2,81	13 920 1/2,82	17 670 1/2,81	22 090 1/2,81	25 010 1/2,83			
	2,5	—	240 1/2,53	—	450 1/2,44	—	885 1/2,55	1 670 1/2,53	2 190 1/2,53	3 190 1/2,44	4 420 1/2,5	5 960 1/2,55	7 920 1/2,43	10 320 1/2,53	14 390 1/2,53	17 860 1/2,44	22 330 1/2,44	25 350 1/2,5			

For n_1 lower than 560 min⁻¹ see page 107.

$n_{N2} \cdot L_h$ min ⁻¹ · h	i_N	P_{N2} kW																i_N	n_1 min ⁻¹	n_{N2} min ⁻¹	
		M_{N2} N m																			
		... / i																			
		50	63	64	80	81	100	125	140	160	180	200	225	250	280	320	321	360			
25 000 000	2,24	-	-	-	-	-	-	1 640 1/2,28	2 160 1/2,3	3 150 1/2,21	4 290 1/2,24	5 880 1/2,2	8 010 1/2,27	10 400 1/2,33	14 230 1/2,3	18 010 1/2,26	22 510 1/2,26	25 110 1/2,29			
	2	-	-	-	-	-	-	1 660 1/2	-	3 180 1/1,95	-	5 950 1/2,05	-	10 250 1/2	-	17 770 1/1,95	22 220 1/1,95	-			
22 400 000	8	115 21/8,01	210 21/8,26	260 21/7,99	445 21/8,03	530 21/8,03	910 21/8,01	1 820 21/8,26	-	4 080 21/8,03	-	8 330 21/8,01	-	16 730 21/8,26	-	29 220 21/8,03	36 420 21/8,03	-			
	6,3	105 21/6,42	195 21/6,53	235 21/6,86	410 21/6,41	470 21/6,41	855 21/6,42	1 720 21/6,53	-	3 440 21/6,41	-	7 880 21/6,42	-	15 790 21/6,53	-	26 770 21/6,41	31 610 21/6,41	-			
	5	-	215 1/5	-	450 1/5,2	-	665 1/4,82	1 360 1/5	2 040 1/5	3 170 1/4,92	3 930 1/5,07	5 890 1/4,92	7 530 1/5,07	9 530 1/5,08	14 900 1/5	18 830 1/4,92	23 530 1/4,92	26 020 1/5,07			
	4,5	-	-	-	-	-	-	1 380 1/4,45	2 070 1/4,5	3 230 1/4,5	4 200 1/4,67	6 000 1/4,5	7 690 1/4,67	11 030 1/4,47	13 450 1/4,5	19 130 1/4,5	23 920 1/4,5	26 280 1/4,6			
	4	-	225 1/4	-	460 1/4,16	-	690 1/3,92	1 400 1/4	2 180 1/4,08	3 290 1/4,13	4 150 1/4,15	6 120 1/4,13	7 990 1/4,07	10 360 1/4	15 080 1/4,08	19 260 1/4,07	24 080 1/4,07	25 610 1/4			
	3,55	-	-	-	-	-	-	1 700 1/3,62	2 180 1/3,64	3 070 1/3,62	4 460 1/3,6	6 050 1/3,57	7 990 1/3,67	11 090 1/3,62	14 290 1/3,64	18 580 1/3,5	23 230 1/3,5	25 590 1/3,6			
	3,15	-	250 1/3,28	-	465 1/3,13	-	910 1/3,27	1 730 1/3,28	2 210 1/3,13	3 300 1/3,13	4 450 1/3,25	6 140 1/3,27	8 120 1/3,18	10 680 1/3,28	15 570 1/3,19	18 460 1/3,13	23 080 1/3,13	25 520 1/3,25			
	2,8	-	-	-	-	-	-	1 710 1/2,75	2 190 1/2,82	3 270 1/2,81	4 510 1/2,83	6 220 1/2,82	7 930 1/2,83	11 370 1/2,81	14 400 1/2,82	18 280 1/2,81	22 850 1/2,81	25 880 1/2,83			
	2,5	-	245 1/2,53	-	465 1/2,44	-	915 1/2,55	1 720 1/2,53	2 260 1/2,53	3 300 1/2,44	4 560 1/2,5	6 150 1/2,55	8 180 1/2,43	10 650 1/2,53	14 850 1/2,53	18 440 1/2,44	23 040 1/2,44	26 170 1/2,5			
	2,24	-	-	-	-	-	-	1 700 1/2,28	2 240 1/2,3	3 260 1/2,21	4 440 1/2,24	6 090 1/2,2	8 300 1/2,27	10 780 1/2,33	14 740 1/2,3	18 660 1/2,26	23 320 1/2,26	26 010 1/2,29			
2	-	-	-	-	-	-	1 720 1/2	-	3 290 1/1,95	-	6 160 1/2,05	-	10 630 1/2	-	18 420 1/1,95	23 030 1/1,95	-				
20 000 000	9	-	-	-	-	-	-	2 360 21/9,22	4 090 21/9,24	4 730 21/9,31	8 330 21/8,85	10 590 21/8,88	16 730 21/9,19	21 670 21/9,22	29 220 21/9,24	36 420 21/9,24	43 500 21/9,31				
	8	115 21/8,01	215 21/8,26	270 21/7,99	455 21/8,03	545 21/8,03	930 21/8,01	1 870 21/8,26	-	4 190 21/8,03	-	8 550 21/8,01	-	17 170 21/8,26	-	29 990 21/8,03	37 390 21/8,03	-			
	6,3	105 21/6,42	200 21/6,53	240 21/6,86	425 21/6,41	480 21/6,41	880 21/6,42	1 760 21/6,53	-	3 520 21/6,41	-	8 080 21/6,42	-	16 190 21/6,53	-	27 450 21/6,41	32 410 21/6,41	-			
	5	-	220 1/5	-	465 1/5,2	-	690 1/4,82	1 410 1/5	2 110 1/5	3 280 1/4,92	4 070 1/5,07	6 100 1/4,92	7 800 1/5,07	9 870 1/5,08	15 430 1/5	19 500 1/4,92	24 380 1/4,92	26 960 1/5,07			
4,5	-	-	-	-	-	-	1 430 1/4,45	2 150 1/4,5	3 350 1/4,5	4 350 1/4,67	6 220 1/4,5	7 970 1/4,67	11 430 1/4,47	13 940 1/4,5	19 830 1/4,5	24 790 1/4,5	27 230 1/4,6				

For n_1 lower than 560 min⁻¹ see page 107.

$n_{N2} \cdot L_h$ min ⁻¹ · h	i_N	P_{N2} kW																i_N	n_1	n_{N2} min ⁻¹	
		M_{N2} N m																			
		... / i																			
		50	63	64	80	81	100	125	140	160	180	200	225	250	280	320	321	360			
20 000 000	4	-	230 1/4	-	480 1/4,16	-	715 1/3,92	1 450 1/4	2 260 1/4,08	3 410 1/4,13	4 300 1/4,15	6 350 1/4,13	8 290 1/4,07	10 730 1/4	15 630 1/4,08	19 960 1/4,07	24 960 1/4,07	26 550 1/4			
	3,55	-	-	-	-	-	-	1 760 1/3,62	2 250 1/3,64	3 180 1/3,62	4 620 1/3,6	6 270 1/3,57	8 280 1/3,67	11 490 1/3,62	14 810 1/3,64	19 250 1/3,5	24 060 1/3,5	26 510 1/3,6			
	3,15	-	255 1/3,28	-	485 1/3,13	-	945 1/3,27	1 790 1/3,28	2 280 1/3,13	3 420 1/3,13	4 610 1/3,25	6 350 1/3,27	8 400 1/3,18	11 050 1/3,28	16 110 1/3,19	19 100 1/3,13	23 870 1/3,13	26 410 1/3,25			
	2,8	-	-	-	-	-	-	1 760 1/2,75	2 260 1/2,82	3 370 1/2,81	4 660 1/2,83	6 420 1/2,82	8 190 1/2,83	11 730 1/2,81	14 870 1/2,82	18 870 1/2,81	23 590 1/2,81	26 710 1/2,83			
	2,5	-	255 1/2,53	-	485 1/2,44	-	945 1/2,55	1 780 1/2,53	2 340 1/2,53	3 410 1/2,44	4 730 1/2,5	6 370 1/2,55	8 470 1/2,43	11 040 1/2,53	15 390 1/2,53	19 100 1/2,44	23 870 1/2,44	27 110 1/2,5			
	2,24	-	-	-	-	-	-	1 760 1/2,28	2 320 1/2,3	3 380 1/2,21	4 610 1/2,24	6 310 1/2,2	8 600 1/2,27	11 170 1/2,33	15 280 1/2,3	19 340 1/2,26	24 170 1/2,26	26 960 1/2,29			
	2	-	-	-	-	-	-	1 780 1/2	-	3 410 1/1,95	-	6 390 1/2,05	-	11 020 1/2	-	19 090 1/1,95	23 870 1/1,95	-			
18 000 000	10	115 21/10,2	210 21/10,7	265 21/11,2	465 21/10,3	550 21/10,3	910 21/10,2	1 820 21/10,7	2 610 21/10,2	4 090 21/10,3	5 420 21/10,7	8 330 21/10,2	11 660 21/9,95	16 730 21/10,7	23 030 21/10,4	29 220 21/10,3	36 420 21/10,3	46 070 21/10,7			
	9	-	-	-	-	-	-	2 420 21/9,22	4 200 21/9,24	4 850 21/9,31	8 550 21/8,85	10 870 21/8,88	17 170 21/9,19	22 250 21/9,22	29 990 21/9,24	37 390 21/9,24	44 650 21/9,31				
	8	120 21/8,01	220 21/8,26	275 21/7,99	470 21/8,03	560 21/8,03	960 21/8,01	1 920 21/8,26	-	4 300 21/8,03	-	8 780 21/8,01	-	17 640 21/8,26	-	30 810 21/8,03	38 410 21/8,03	-			
	6,3	110 21/6,42	205 21/6,53	245 21/6,86	435 21/6,41	495 21/6,41	905 21/6,42	1 810 21/6,53	-	3 620 21/6,41	-	8 310 21/6,42	-	16 660 21/6,53	-	28 230 21/6,41	33 340 21/6,41	-			
	5	-	225 1/5	-	480 1/5,2	-	715 1/4,82	1 460 1/5	2 190 1/5	3 400 1/4,92	4 220 1/5,07	6 320 1/4,92	8 090 1/5,07	10 230 1/5,08	16 000 1/5	20 210 1/4,92	25 270 1/4,92	27 940 1/5,07			
	4,5	-	-	-	-	-	-	1 480 1/4,45	2 230 1/4,5	3 470 1/4,5	4 510 1/4,67	6 450 1/4,5	8 260 1/4,67	11 850 1/4,47	14 450 1/4,5	20 560 1/4,5	25 690 1/4,5	28 230 1/4,6			
	4	-	240 1/4	-	495 1/4,16	-	740 1/3,92	1 500 1/4	2 340 1/4,08	3 530 1/4,13	4 460 1/4,15	6 580 1/4,13	8 580 1/4,07	11 120 1/4	16 190 1/4,08	20 680 1/4,07	25 850 1/4,07	27 500 1/4			
	3,55	-	-	-	-	-	-	1 830 1/3,62	2 330 1/3,64	3 290 1/3,62	4 780 1/3,6	6 480 1/3,57	8 570 1/3,67	11 880 1/3,62	15 320 1/3,64	19 920 1/3,5	24 900 1/3,5	27 430 1/3,6			
	3,15	-	265 1/3,28	-	500 1/3,13	-	975 1/3,27	1 840 1/3,28	2 360 1/3,13	3 520 1/3,13	4 750 1/3,25	6 560 1/3,27	8 670 1/3,18	11 410 1/3,28	16 620 1/3,19	19 710 1/3,13	24 640 1/3,13	27 250 1/3,25			
	2,8	-	-	-	-	-	-	1 830 1/2,75	2 340 1/2,82	3 500 1/2,81	4 830 1/2,83	6 650 1/2,82	8 480 1/2,83	12 160 1/2,81	15 400 1/2,82	19 550 1/2,81	24 430 1/2,81	27 670 1/2,83			
2,5	-	265 1/2,53	-	500 1/2,44	-	980 1/2,55	1 850 1/2,53	2 430 1/2,53	3 540 1/2,44	4 900 1/2,5	6 600 1/2,55	8 780 1/2,43	11 440 1/2,53	15 950 1/2,53	19 790 1/2,44	24 740 1/2,44	28 090 1/2,5				

For n_1 lower than 560 min⁻¹ see page 107.

Helical gear reducer selection tables

7

$n_{N2} \cdot L_h$ min ⁻¹ · h	i_N	P_{N2} kW																i_N	n_1 min ⁻¹	n_{N2} min ⁻¹	
		M_{N2} N m																			
		... / i																			
		50	63	64	80	81	100	125	140	160	180	200	225	250	280	320	321	360			
18 000 000	2,24	-	-	-	-	-	-	1 830 I/2,28	2 410 I/2,3	3 500 I/2,21	4 770 I/2,24	6 540 I/2,2	8 920 I/2,27	11 580 I/2,33	15 840 I/2,3	20 040 I/2,26	25 050 I/2,26	27 940 I/2,29			
	2	-	-	-	-	-	-	270 1 840 I/2,2▲	-	3 540 I/1,95	-	6 620 I/2,05	-	11 410 I/2	-	19 780 I/1,95	24 730 I/1,95	-	2	2800	1400
16 000 000	11,2	-	-	-	-	-	-	-	2 750 2I/11,9	4 090 2I/11,9	5 840 2I/11,8	8 330 2I/11,2	11 660 2I/11,5	16 730 2I/11,8	23 030 2I/11,9	29 220 2I/11,5	36 420 2I/11,5	46 070 2I/11,8			
	10	115 2I/10,2	215 2I/10,7	270 2I/11,2	480 2I/10,3	565 2I/10,3	930 2I/10,2	1 870 2I/10,7	2 680 2I/10,2	4 200 2I/10,3	5 570 2I/10,7	8 550 2I/10,2	11 960 2I/9,95	17 170 2I/10,7	23 640 2I/10,4	29 990 2I/10,3	37 390 2I/10,3	47 290 2I/10,7			
	9	-	-	-	-	-	-	-	2 480 2I/9,22	4 310 2I/9,24	4 990 2I/9,31	8 780 2I/8,85	11 170 2I/8,88	17 640 2I/9,19	22 860 2I/9,22	30 810 2I/9,24	38 410 2I/9,24	45 870 2I/9,31			
	8	120 2I/8,01	225 2I/8,26	280 2I/7,99	480 2I/8,03	575 2I/8,03	980 2I/8,01	1 970 2I/8,26	-	4 410 2I/8,03	-	9 000 2I/8,01	-	18 090 2I/8,26	-	31 600 2I/8,03	39 390 2I/8,03	-			
	6,3	115 2I/6,42	215 2I/6,53	255 2I/6,86	450 2I/6,41	510 2I/6,41	935 2I/6,42	1 870 2I/6,53	-	3 740 2I/6,41	-	8 580 2I/6,42	-	17 190 2I/6,53	-	29 150 2I/6,41	34 420 2I/6,41	-			
	5	-	230 I/5	-	500 I/5,2	-	740 I/4,82	1 510 I/5	2 270 I/5	3 520 I/4,92	4 370 I/5,07	6 550 I/4,92	8 380 I/5,07	10 600 I/5,08	16 580 I/5	20 950 I/4,92	26 190 I/4,92	28 960 I/5,07			
	4,5	-	-	-	-	-	-	1 530 I/4,45	2 310 I/4,5	3 590 I/4,5	4 670 I/4,67	6 680 I/4,5	8 560 I/4,67	12 280 I/4,47	14 970 I/4,5	21 300 I/4,5	26 620 I/4,5	29 240 I/4,6			
	4	-	250 I/4	-	515 I/4,16	-	765 I/3,92	1 550 I/4	2 420 I/4,08	3 660 I/4,13	4 610 I/4,15	6 800 I/4,13	8 880 I/4,07	11 500 I/4	16 750 I/4,08	21 400 I/4,07	26 750 I/4,07	28 450 I/4			
	3,55	-	-	-	-	-	-	1 880 I/3,62	2 410 I/3,64	3 400 I/3,62	4 940 I/3,6	6 690 I/3,57	8 840 I/3,67	12 260 I/3,62	15 810 I/3,64	20 560 I/3,5	25 700 I/3,5	28 310 I/3,6			
	3,15	-	275 I/3,28	-	515 I/3,13	-	1 010 I/3,27	1 910 I/3,28	2 440 I/3,13	3 650 I/3,13	4 920 I/3,25	6 790 I/3,27	8 990 I/3,18	11 820 I/3,28	17 220 I/3,19	20 420 I/3,13	25 530 I/3,13	28 230 I/3,25			
	2,8	-	-	-	-	-	-	1 890 I/2,75	2 430 I/2,82	3 620 I/2,81	5 000 I/2,83	6 890 I/2,82	8 790 I/2,83	12 600 I/2,81	15 960 I/2,82	20 260 I/2,81	25 320 I/2,81	28 680 I/2,83			
	2,5	-	275 I/2,53	-	520 I/2,44	-	1 020 I/2,55	1 920 I/2,53	2 520 I/2,53	3 670 I/2,44	5 080 I/2,5	6 840 I/2,55	9 100 I/2,43	11 860 I/2,53	16 530 I/2,53	20 520 I/2,44	25 650 I/2,44	29 120 I/2,5			
2,24	-	-	-	-	-	-	1 890 I/2,28	2 500 I/2,3▲	3 630 I/2,21▲	4 950 I/2,24	6 770 I/2,2	9 240 I/2,27	11 990 I/2,33	16 410 I/2,3	20 760 I/2,26	25 960 I/2,26	28 950 I/2,29	2,24	2800	1250	
2	-	-	-	-	-	-	1 870 I/2	-	3 660 I/1,95▲	-	6 850 I/2,05	-	11 810 I/2	-	20 460 I/1,95	25 580 I/1,95	-	2	2500		
14 000 000	12,5	110 2I/12,3	210 2I/13,1	260 2I/13,6	490 2I/13,7	580 2I/13,7	910 2I/12,3	1 820 2I/13,1	2 670 2I/13,3	4 020 2I/13,6	5 670 2I/13,6	8 120 2I/13	11 310 2I/12,8	16 280 2I/13,1	22 400 2I/13,3	28 330 2I/13,4	34 520 2I/13,4	44 850 2I/13,1			
	11,2	-	-	-	-	-	-	-	2 820 2I/11,9	4 200 2I/11,9	6 000 2I/11,8	8 550 2I/11,2	11 960 2I/11,5	17 170 2I/11,8	23 640 2I/11,9	29 990 2I/11,5	37 390 2I/11,5	47 290 2I/11,8			

For n_1 lower than 560 min⁻¹ see page 107.

▲ Possible forced lubrication with heat exchanger: consult us.

$n_{N2} \cdot L_h$ min ⁻¹ · h	i_N	P_{N2} kW																i_N	n_1	n_{N2} min ⁻¹	
		M_{N2} N m																			
		... / i																			
		50	63	64	80	81	100	125	140	160	180	200	225	250	280	320	321	360			
14 000 000	10	120 21/10,2	220 21/10,7	280 21/11,2	500 21/10,3	585 21/10,3	960 21/10,2	1 920 21/10,7	2 750 21/10,2	4 310 21/10,3	5 720 21/10,7	8 780 21/10,2	12 290 21/9,95	17 640 21/10,7	24 280 21/10,4	30 810 21/10,3	38 410 21/10,3	48 590 21/10,7			
	9	-	-	-	-	-	-	-	2 550 21/9,22	4 420 21/9,24	5 110 21/9,31	9 000 21/8,85	11 450 21/8,88	18 090 21/9,19	23 440 21/9,22	31 600 21/9,24	39 390 21/9,24	47 040 21/9,31			
	8	125 21/8,01	235 21/8,26	290 21/7,99	495 21/8,03	590 21/8,03	1 010 21/8,01	2 030 21/8,26	-	4 540 21/8,03	-	9 260 21/8,01	-	18 600 21/8,26	-	32 500 21/8,03	40 510 21/8,03	-			
	6,3	115 21/6,42	220 21/6,53	260 21/6,86	460 21/6,41	525 21/6,41	960 21/6,42	1 920 21/6,53	-	3 840 21/6,41	-	8 810 21/6,42	-	17 670 21/6,53	-	29 950 21/6,41	35 360 21/6,41	-			
	5	-	235 1/5	-	500 1/5,2	-	770 1/4,82	1 560 1/5	2 350 1/5	3 650 1/4,92	4 530 1/5,07	6 790 1/4,92	8 680 1/5,07	10 990 1/5,08	17 180 1/5	21 710 1/4,92	27 130 1/4,92	30 000 1/5,07			
	4,5	-	-	-	-	-	-	1 590 1/4,45	2 390 1/4,5	3 720 1/4,5	4 840 1/4,67	6 910 1/4,5	8 860 1/4,67	12 700 1/4,47	15 490 1/4,5	22 030 1/4,5	27 540 1/4,5	30 260 1/4,6			
	4	-	255 1/4	-	530 1/4,16	-	790 1/3,92	1 600 1/4	2 500 1/4,08	3 770 1/4,13	4 760 1/4,15	7 020 1/4,13	9 170 1/4,07	11 870 1/4	17 290 1/4,08	22 090 1/4,07	27 610 1/4,07	29 370 1/4			
	3,55	-	-	-	-	-	-	1 950 1/3,62	2 490 1/3,64	3 520 1/3,62	5 120 1/3,6	6 930 1/3,57	9 160 1/3,67	12 710 1/3,62	16 380 1/3,64	21 300 1/3,5	26 620 1/3,5	29 330 1/3,6			
	3,15	-	285 1/3,28	-	535 1/3,13	-	1 040 1/3,27	1 980 1/3,28	2 530 1/3,13	3 780 1/3,13	5 100 1/3,25	7 040 1/3,27	9 310 1/3,18	12 250 1/3,28	17 850 1/3,19	21 170 1/3,13	26 460 1/3,13	29 260 1/3,25			
	2,8	-	-	-	-	-	-	1 960 1/2,75	2 520 1/2,82	3 750 1/2,81	5 190 1/2,83	7 140 1/2,82	9 110 1/2,83	13 060 1/2,81	16 540 1/2,82	21 000 1/2,81	26 250 1/2,81	29 730 1/2,83			
	2,5	-	33 285 1/2,53	-	64,5 535 1/2,44	-	121 1 050 1/2,55	230 1 980 1/2,53	302 2 610 1/2,53	456 3 800 1/2,44 ▲	617 5 260 1/2,5 ▲	-	-	-	-	-	-	-	2,5	2800	1120
	2,24	-	-	-	-	-	-	225 1 960 1/2,28	294 2 580 1/2,3	444 3 750 1/2,21 ▲	598 5 120 1/2,24 ▲	-	-	-	-	-	-	-	2,24	2500	
	2	-	-	-	-	-	-	222 1 890 1/2	-	454 3 780 1/1,95 ▲	-	-	-	-	-	-	-	-	2	2240	
12 500 000	14	-	-	-	-	-	-	2 670 21/14,7	4 250 21/14,1	5 910 21/14,4	8 520 21/13,9	10 630 21/14,6	17 410 21/14,6	21 130 21/14,7	29 940 21/14,3	36 610 21/14,3	46 590 21/14,4				
	12,5	110 21/12,3	215 21/13,1	270 21/13,6	510 21/13,7	600 21/13,7	930 21/12,3	1 870 21/13,1	2 740 21/13,3	4 160 21/13,6	5 820 21/13,6	8 340 21/13	11 620 21/12,8	16 710 21/13,1	23 000 21/13,3	29 080 21/13,4	35 440 21/13,4	46 040 21/13,1			
	11,2	-	-	-	-	-	-	2 900 21/11,9	4 310 21/11,9	6 160 21/11,8	8 780 21/11,2	12 290 21/11,5	17 640 21/11,8	24 280 21/11,9	30 810 21/11,5	38 410 21/11,5	48 590 21/11,8				
	10	120 21/10,2	225 21/10,7	285 21/11,2	515 21/10,3	605 21/10,3	980 21/10,2	1 970 21/10,7	2 820 21/10,2	4 420 21/10,3	5 870 21/10,7	9 000 21/10,2	12 610 21/9,95	18 090 21/10,7	24 900 21/10,4	31 600 21/10,3	39 390 21/10,3	49 820 21/10,7			
	9	-	-	-	-	-	-	-	2 620 21/9,22	4 550 21/9,24	5 260 21/9,31	9 260 21/8,85	11 780 21/8,88	18 600 21/9,19	24 110 21/9,22	32 500 21/9,24	40 510 21/9,24	48 380 21/9,31			

For n_1 lower than 560 min⁻¹ see page 107.

▲ Possible forced lubrication with heat exchanger: consult us.

$n_{N2} \cdot L_h$ min ⁻¹ · h	i_N	P_{N2} kW																i_N	n_1 min ⁻¹	n_{N2} min ⁻¹	
		M_{N2} N m																			
		50	63	64	80	81	100	125	140	160	180	200	225	250	280	320	321				360
12 500 000	8	130 21/8,01	240 21/8,26	300 21/7,99	510 21/8,03	610 21/8,03	1 040 21/8,01	2 090 21/8,26	–	4 680 21/8,03	–	9 560 21/8,01	–	19 210 21/8,26	–	33 550 21/8,03	41 830 21/8,03	–			
	6,3	120 21/6,42	225 21/6,53	270 21/6,86	475 21/6,41	540 21/6,41	985 21/6,42	1 970 21/6,53	–	3 950 21/6,41	–	9 050 21/6,42	–	18 130 21/6,53	–	30 740 21/6,41	36 300 21/6,41	–			
	5	–	245 1/5	–	515 1/5,2	–	795 1/4,82	1 620 1/5	2 430 1/5	3 780 1/4,92	4 680 1/5,07	7 020 1/4,92	8 980 1/5,07	11 370 1/5,08	17 770 1/5	22 460 1/4,92	28 070 1/4,92	31 040 1/5,07			
	4,5	–	–	–	–	–	1 640 1/4,45	2 470 1/4,5	3 840 1/4,5	4 990 1/4,67	7 130 1/4,5	9 140 1/4,67	13 110 1/4,47	15 990 1/4,5	22 740 1/4,5	28 420 1/4,5	31 230 1/4,6				
	4	–	265 1/4	–	550 1/4,16	–	815 1/3,92	1 660 1/4	2 590 1/4,08	3 910 1/4,13	4 930 1/4,15	7 270 1/4,13	9 500 1/4,07	12 300 1/4	17 910 1/4,08	22 880 1/4,07	28 600 1/4,07	30 420 1/4			
	3,55	–	–	–	–	–	2 020 1/3,62	2 580 1/3,64	3 650 1/3,62	5 300 1/3,6	7 190 1/3,57	9 490 1/3,67	13 170 1/3,62	16 970 1/3,64	22 070 1/3,5	27 590 1/3,5	30 400 1/3,6				
	3,15	–	295 1/3,28	–	555 1/3,13	–	1 080 1/3,27	2 050 1/3,28	2 620 1/3,13	3 920 1/3,13	5 290 1/3,25	7 300 1/3,27	9 650 1/3,18	12 700 1/3,28	18 500 1/3,19	21 940 1/3,13	27 420 1/3,13	30 330 1/3,25			
	2,8	–	–	–	–	–	217 2 030	271 2 610	406 3 890	556 5 370	768 7 400	– 9 440	– 13 530	– 17 140	– 21 750	– 27 190	– 30 800	2,8	2800	1000	
	2,5	–	30,5 295	–	59,6 555	–	111 1 090	213 2 050	279 2 700	421 3 930	570 5 450	751 7 330	– 9 750	– 12 710	– 17 720	– 21 990	– 27 490	– 31 210	2,5	2500	
	2,24	–	–	–	–	–	208 2 020	272 2 670	411 3 880	554 5 290	772 7 240	– 9 880	– 12 820	– 17 540	– 22 200	– 27 750	– 30 950	2,24	2240		
2	–	–	–	–	–	201 1 920	– 3 820	410 3 820	– 7 320	749 7 320	– 12 620	– 21 880	– 27 350	– 31 040	2	2000					
11 200 000	16	120 21/16,3	215 21/15,8	285 21/16,5	525 21/15,7	620 21/15,7	930 21/16,1	1 860 21/15,8	2 750 21/15,1	4 490 21/15,7	5 740 21/16,6	8 520 21/16,1	11 240 21/15,6	17 090 21/16,2	21 910 21/15,7	29 940 21/15,9	37 290 21/15,9	45 340 21/16			
	14	–	–	–	–	–	–	2 740 21/14,7	4 400 21/14,1	6 070 21/14,4	8 750 21/13,9	10 920 21/14,6	18 020 21/14,6	21 690 21/14,7	30 730 21/14,3	37 580 21/14,3	47 830 21/14,4				
	12,5	115 21/12,3	220 21/13,1	280 21/13,6	525 21/13,7	620 21/13,7	960 21/12,3	1 920 21/13,1	2 820 21/13,3	4 290 21/13,6	5 980 21/13,6	8 560 21/13	11 930 21/12,8	17 170 21/13,1	23 630 21/13,3	29 880 21/13,4	36 410 21/13,4	47 300 21/13,1			
	11,2	–	–	–	–	–	–	2 970 21/11,9	4 420 21/11,9	6 320 21/11,8	9 000 21/11,2	12 610 21/11,5	18 090 21/11,8	24 900 21/11,9	31 600 21/11,5	39 390 21/11,5	49 820 21/11,8				
	10	125 21/10,2	235 21/10,7	295 21/11,2	530 21/10,3	625 21/10,3	1 010 21/10,2	2 030 21/10,7	2 900 21/10,2	4 550 21/10,3	6 030 21/10,7	9 260 21/10,2	12 960 21/9,95	18 600 21/10,4	25 610 21/10,3	32 500 21/10,3	40 510 21/10,3	51 240 21/10,7			
	9	–	–	–	–	–	–	–	2 710 21/9,22	4 700 21/9,24	5 430 21/9,31	9 560 21/8,85	12 160 21/8,88	19 210 21/9,19	24 890 21/9,22	33 550 21/9,24	41 830 21/9,24	49 950 21/9,31			
8	135 21/8,01	250 21/8,26	310 21/7,99	525 21/8,03	625 21/8,03	1 070 21/8,01	2 150 21/8,26	–	4 810 21/8,03	–	9 820 21/8,01	–	19 730 21/8,26	–	34 470 21/8,03	42 970 21/8,03	–				

For n_1 lower than 560 min⁻¹ see page 107.

▲ Possible forced lubrication with heat exchanger: consult us.

$n_{N2} \cdot L_h$ min ⁻¹ · h	i_N	P_{N2} kW																i_N	n_1	n_{N2} min ⁻¹		
		M_{N2} N m																				
		... / i																				
		50	63	64	80	81	100	125	140	160	180	200	225	250	280	320	321	360				
11 200 000	6,3	125 21/6,42	230 21/6,53	275 21/6,86	485 21/6,41	555 21/6,41	1 010 21/6,42	2 030 21/6,53	—	4 050 21/6,41	—	9 300 21/6,42	—	18 630 21/6,53	—	31 580 21/6,41	37 290 21/6,41	—				
	5	—	245 1/5	—	515 1/5,2	—	820 1/4,82	1 670 1/5	2 510 1/5	3 900 1/4,92	4 830 1/5,07	7 250 1/4,92	9 270 1/5,07	11 730 1/5,08	18 340 1/5	23 180 1/4,92	28 970 1/4,92	32 030 1/5,07				
	4,5	—	—	—	—	—	—	1 690 1/4,45	2 550 1/4,5	3 970 1/4,5	5 170 1/4,67	7 390 1/4,5	9 470 1/4,67	13 580 1/4,47	16 560 1/4,5	23 560 1/4,5	29 450 1/4,5	32 350 1/4,6				
	4	—	275 1/4	—	570 1/4,16	—	845 1/3,92	1 720 1/4	2 690 1/4,08	4 050 1/4,13	5 110 1/4,15	7 540 1/4,13	9 840 1/4,07	12 750 1/4	18 560 1/4,08	23 710 1/4,07	29 640 1/4,07	31 530 1/4				
	3,55	—	—	—	—	—	—	2 100 1/3,62	2 680 1/3,64	3 780 1/3,62	5 500 1/3,6	7 450 1/3,57	9 840 1/3,67	13 650 1/3,62	17 590 1/3,64	22 880 1/3,5	28 600 1/3,5	31 510 1/3,6				
	3,15	—	26,8 300 1/3,28	—	53,8 575 1/3,13	—	101 1 120 1/3,27	190 2 130 1/3,28	255 2 720 1/3,13	380 4 060 1/3,13	494 5 480 1/3,25▲	678 7 560 1/3,27▲	—	—	—	—	—	—	—	3,15	2800	900
	2,8	—	—	—	—	—	—	200 2 100 1/2,75	250 2 700 1/2,82	375 4 020 1/2,81	514 5 560 1/2,83▲	710 7 660 1/2,82▲	—	—	—	—	—	—	—	2,8	2500	
	2,5	—	28,2 305 1/2,53	—	55,1 575 1/2,44	—	103 1 120 1/2,55	197 2 120 1/2,53	259 2 790 1/2,53	390 4 060 1/2,44	528 5 630 1/2,5	696 7 580 1/2,55▲	974 10 080 1/2,43▲	—	—	—	—	—	—	2,5	2240	
	2,24	—	—	—	—	—	—	192 2 090 1/2,28	251 2 760 1/2,3	380 4 010 1/2,21	510 5 450 1/2,24	713 7 490 1/2,2▲	942 10 220 1/2,27▲	—	—	—	—	—	—	2,24	2000	
	2	—	—	—	—	—	—	183 1 940 1/2	—	369 3 820 1/1,95	—	695 7 550 1/2,05▲	—	—	—	—	—	—	—	2	1800	
10 000 000	18	—	—	—	—	—	—	2 820 21/17,6	4 310 21/18,1	5 780 21/18	8 520 21/17,6	11 960 21/18,1	17 090 21/17,8	23 570 21/17,9	29 940 21/17,8	37 290 21/17,8	46 850 21/18,3					
	16	120 21/16,3	225 21/15,8	290 21/16,5	545 21/15,7	640 21/15,7	955 21/16,1	1 910 21/15,8	2 830 21/15,1	4 640 21/15,7	5 890 21/16,6	8 750 21/16,1	11 530 21/15,6	17 550 21/16,2	22 490 21/15,7	30 730 21/15,9	38 280 21/15,9	46 540 21/16				
	14	—	—	—	—	—	—	2 820 21/14,7	4 540 21/14,1	6 230 21/14,4	8 990 21/13,9	11 220 21/14,6	18 620 21/14,6	22 280 21/14,7	31 580 21/14,3	38 610 21/14,3	49 140 21/14,4					
	12,5	120 21/12,3	225 21/13,1	290 21/13,6	545 21/13,7	640 21/13,7	980 21/12,3	1 970 21/13,1	2 890 21/13,3	4 440 21/13,6	6 140 21/13,6	8 780 21/13	12 240 21/12,8	17 600 21/13,1	24 230 21/13,3	30 640 21/13,4	37 340 21/13,4	48 500 21/13,1				
	11,2	—	—	—	—	—	—	3 060 21/11,9	4 550 21/11,9	6 500 21/11,8	9 260 21/11,2	12 960 21/11,5	18 600 21/11,8	25 610 21/11,9	32 500 21/11,5	40 510 21/11,5	51 240 21/11,8					
	10	130 21/10,2	240 21/10,7	305 21/11,2	550 21/10,3	650 21/10,3	1 040 21/10,2	2 090 21/10,7	2 990 21/10,2	4 700 21/10,3	6 230 21/10,7	9 560 21/10,2	13 380 21/9,95	19 210 21/10,7	26 440 21/10,4	33 550 21/10,3	41 830 21/10,3	52 900 21/10,7				
	9	—	—	—	—	—	—	2 780 21/9,22	4 830 21/9,24	5 580 21/9,31	9 820 21/8,85	12 490 21/8,88	19 730 21/9,19	25 570 21/9,22	34 470 21/9,24	42 970 21/9,24	51 320 21/9,31					
	8	135 21/8,01	255 21/8,26	315 21/7,99	540 21/8,03	645 21/8,03	1 100 21/8,01	2 200 21/8,26	—	4 940 21/8,03	—	10 080 21/8,01	—	20 260 21/8,26	—	35 390 21/8,03	44 110 21/8,03	—				

For n_1 lower than 560 min⁻¹ see page 107.

▲ Possible forced lubrication with heat exchanger: consult us.

$n_{N2} \cdot L_h$ min ⁻¹ · h	i_N	P_{N2} kW																i_N	n_1 min ⁻¹	n_{N2} min ⁻¹	
		M_{N2} N m																			
		50	63	64	80	81	100	125	140	160	180	200	225	250	280	320	321				360
10 000 000	6,3	125 2/16,42	235 2/16,53	280 2/16,86	495 2/16,41	560 2/16,41	1 020 2/16,42	2 050 2/16,53	–	4 110 2/16,41	–	9 420 2/16,42	–	18 890 2/16,53	–	32 010 2/16,41	37 800 2/16,41	–			
	5	–	250 1/5	–	530 1/5,2	–	850 1/4,82	1 730 1/5	2 600 1/5	4 040 1/4,92	5 010 1/5,07	7 510 1/4,92	9 610 1/5,07	12 150 1/5,08	19 000 1/5	24 010 1/4,92	30 010 1/4,92	33 190 1/5,07			
	4,5	–	–	–	–	–	–	1 760 1/4,45	2 650 1/4,5	4 120 1/4,5	5 360 1/4,67	7 660 1/4,5	9 820 1/4,67	14 070 1/4,47	17 170 1/4,5	24 420 1/4,5	30 520 1/4,5	33 530 1/4,6			
	4	–	285 1/4	–	590 1/4,16	–	880 1/3,92	1 780 1/4	2 780 1/4,08	4 200 1/4,13	5 300 1/4,15	7 810 1/4,13	10 200 1/4,07	13 220 1/4	19 240 1/4,08	24 580 1/4,07	30 720 1/4,07	32 680 1/4			
	3,55	–	–	–	–	–	–	176 2 170 1/3,62	223 2 770 1/3,64	318 3 920 1/3,62	464 5 690 1/3,6	633 7 720 1/3,57▲	–	–	–	–	–	–	3,55	2800	800
	3,15	–	23,9 300 1/3,28	–	49,7 595 1/3,13	–	93 1 160 1/3,27	175 2 200 1/3,28	236 2 810 1/3,13	351 4 200 1/3,13	457 5 670 1/3,25	627 7 820 1/3,27▲	853 10 350 1/3,18▲	–	–	–	–	–	3,15	2500	
	2,8	–	–	–	–	–	–	185 2 170 1/2,75	232 2 790 1/2,82	347 4 160 1/2,81	476 5 740 1/2,83	657 7 910 1/2,82▲	836 10 090 1/2,83▲	–	–	–	–	–	2,8	2240	
	2,5	–	26,1 315 1/2,53	–	50,9 595 1/2,44	–	95,4 1 160 1/2,55	182 2 200 1/2,53	239 2 880 1/2,53	360 4 200 1/2,44	488 5 820 1/2,5	643 7 840 1/2,55	899 10 430 1/2,43▲	1 125 13 590 1/2,53▲	–	–	–	–	2,5	2000	
	2,24	–	–	–	–	–	–	179 2 160 1/2,28	234 2 850 1/2,3	353 4 140 1/2,21	459 5 450 1/2,24	663 7 730 1/2,2	875 10 550 1/2,27▲	1 106 13 690 1/2,33▲	–	–	–	–	2,24	1800	
	2	–	–	–	–	–	–	165 1 970 1/2	–	328 3 820 1/1,95	–	640 7 830 1/2,05	–	1 131 13 500 1/2▲	–	–	–	–	2	1600	
9 000 000	20	120 2/120,1	225 2/119,3	295 2/120,1	555 2/120,8	630 2/120,8	955 2/119,3	1 910 2/119,3	2 880 2/119,6	4 540 2/120,7	5 810 2/120,8	8 350 2/120,3	11 620 2/120	16 910 2/119,7	22 920 2/120,1	29 050 2/120,6	35 320 2/120,6	45 930 2/120,3			
	18	–	–	–	–	–	–	2 890 2/117,6	4 460 2/118,1	5 970 2/118	8 750 2/117,6	12 270 2/118,1	17 550 2/117,8	24 200 2/117,9	30 730 2/117,8	38 280 2/117,8	48 100 2/118,3				
	16	125 2/116,3	230 2/115,8	300 2/116,5	565 2/115,7	660 2/115,7	980 2/116,1	1 960 2/115,8	2 900 2/115,1	4 800 2/115,7	6 050 2/116,6	8 990 2/116,1	11 850 2/115,6	18 030 2/116,2	23 110 2/115,7	31 580 2/115,9	39 330 2/115,9	47 820 2/116			
	14	–	–	–	–	–	–	2 890 2/114,7	4 700 2/114,1	6 390 2/114,4	9 210 2/113,9	11 500 2/114,6	19 260 2/114,6	22 850 2/114,7	32 380 2/114,3	39 590 2/114,3	50 390 2/114,4				
	12,5	125 2/112,3	235 2/113,1	300 2/113,6	560 2/113,7	660 2/113,7	1 010 2/112,3	2 030 2/113,1	2 970 2/113,3	4 590 2/113,6	6 310 2/113,6	9 030 2/113	12 590 2/112,8	18 110 2/113,1	24 920 2/113,3	31 510 2/113,4	38 400 2/113,4	49 890 2/113,1			
	11,2	–	–	–	–	–	–	3 160 2/111,9	4 700 2/111,9	6 710 2/111,8	9 560 2/111,2	13 380 2/111,5	19 210 2/111,8	26 440 2/111,9	33 550 2/111,5	41 830 2/111,5	52 900 2/111,8				
	10	135 2/110,2	250 2/110,7	315 2/111,2	570 2/110,3	670 2/110,3	1 070 2/110,2	2 150 2/110,7	3 080 2/110,2	4 860 2/110,3	6 400 2/110,7	9 820 2/110,2	13 750 2/109,5	19 730 2/110,4	27 170 2/110,3	34 470 2/110,3	42 970 2/110,3	54 350 2/110,7			
	9	–	–	–	–	–	–	2 850 2/109,22	4 950 2/109,24	5 730 2/109,31	10 080 2/108,85	12 830 2/108,88	20 260 2/109,19	26 250 2/109,22	35 390 2/109,24	44 110 2/109,24	52 680 2/109,31				

For n_1 lower than 560 min⁻¹ see page 107.

▲ Possible forced lubrication with heat exchanger: consult us.

$n_{N2} \cdot L_h$ min ⁻¹ · h	i_N	P_{N2} kW																i_N	n_1	n_{N2} min ⁻¹		
		M_{N2} N m																				
		50	63	64	80	81	100	125	140	160	180	200	225	250	280	320	321				360	
9 000 000	8	140 21/8,01	260 21/8,26	325 21/7,99	555 21/8,03	660 21/8,03	1 130 21/8,01	2 270 21/8,26	—	5 080 21/8,03	—	10 360 21/8,01	—	20 810 21/8,26	—	36 360 21/8,03	45 320 21/8,03	—				
	6,3	125 21/6,42	240 21/6,53	285 21/6,86	500 21/6,41	570 21/6,41	1 040 21/6,42	2 080 21/6,53	—	4 160 21/6,41	—	9 540 21/6,42	—	19 120 21/6,53	—	32 420 21/6,41	38 280 21/6,41	—				
	5	—	250 1/5	—	530 1/5,2	—	880 1/4,82	1 790 1/5	2 700 1/5	4 190 1/4,92	5 190 1/5,07	7 780 1/4,92	9 960 1/5,07	12 590 1/5,08	19 690 1/5	24 890 1/4,92	31 110 1/4,92	34 400 1/5,07				
	4,5	—	—	—	—	—	—	1 820 1/4,45	2 740 1/4,5	4 270 1/4,5	5 550 1/4,67	7 940 1/4,5	10 170 1/4,67	14 590 1/4,47	17 790 1/4,5	25 310 1/4,5	31 630 1/4,5	34 750 1/4,6				
	4	—	21,7 295 1/4	—	43 610 1/4,16	—	68 910 1/3,92	135 1 850 1/4	207 2 880 1/4,08	309 4 350 1/4,13	388 5 490 1/4,15	574 8 090 1/4,13	—	—	—	—	—	—	—	4	2800	710
	3,55	—	—	—	—	—	—	163 2 250 1/3,62	206 2 870 1/3,64	294 4 060 1/3,62	428 5 890 1/3,6	585 7 980 1/3,57	753 10 550 1/3,67▲	—	—	—	—	—	—	3,55	2500	
	3,15	—	21,9 305 1/3,28	—	46 615 1/3,13	—	86,1 1 200 1/3,27	162 2 270 1/3,28	218 2 910 1/3,13	325 4 350 1/3,13	423 5 860 1/3,25	580 8 080 1/3,27	790 10 690 1/3,18▲	—	—	—	—	—	—	3,15	2240	
	2,8	—	—	—	—	—	—	171 2 250 1/2,75	214 2 890 1/2,82	320 4 300 1/2,81	439 5 940 1/2,83	607 8 190 1/2,82	772 10 440 1/2,83▲	1 114 14 970 1/2,81▲	1 406 18 960 1/2,82▲	—	—	—	—	2,8	2000	
	2,5	—	23,5 315 1/2,53	—	47,3 615 1/2,44	—	88,6 1 200 1/2,55	169 2 270 1/2,53	222 2 980 1/2,53	335 4 340 1/2,44	453 6 010 1/2,5	597 8 090 1/2,55	835 10 760 1/2,43	1 045 14 020 1/2,53▲	1 459 19 550 1/2,53▲	—	—	—	—	2,5	1800	
	2,24	—	—	—	—	—	—	165 2 240 1/2,28	215 2 950 1/2,3	325 4 290 1/2,21	408 5 450 1/2,24	610 8 010 1/2,2	806 10 930 1/2,27	1 019 14 190 1/2,33▲	1 413 19 400 1/2,3▲	—	—	—	—	2,24	1600	
	2	—	—	—	—	—	—	147 2 000 1/2	—	287 3 820 1/1,95	—	583 8 150 1/2,05	—	1 030 14 050 1/2▲	—	—	—	—	—	2	1400	
	8 000 000	22,4	—	—	—	—	—	—	2 930 21/21,7	4 600 21/22,5	6 010 21/23,3	8 470 21/22,2	10 930 21/23	19 520 21/22	21 600 21/22,2	27 390 21/22,8	34 270 21/22,8	43 280 21/23,4				
20		120 21/20,1	235 21/19,3	305 21/20,1	575 21/20,8	650 21/20,8	985 21/19,3	1 970 21/19,3	2 980 21/19,6	4 700 21/20,7	5 970 21/20,8	8 640 21/20,3	11 920 21/20	17 500 21/19,7	23 530 21/20,1	29 830 21/20,6	36 260 21/20,6	47 150 21/20,3				
18		—	—	—	—	—	—	2 970 21/17,6	4 610 21/18,1	6 170 21/18	8 990 21/17,6	12 610 21/18,1	18 030 21/17,8	24 860 21/17,9	31 580 21/17,8	39 330 21/17,8	49 420 21/18,3					
16		130 21/16,3	240 21/15,8	315 21/16,5	580 21/15,7	685 21/15,7	1 020 21/16,1	2 010 21/15,8	2 980 21/15,1	4 960 21/15,7	6 210 21/16,6	9 210 21/16,1	12 150 21/15,6	18 490 21/16,2	23 700 21/15,7	32 380 21/15,9	40 330 21/15,9	49 030 21/16				
14		—	—	—	—	—	—	2 990 21/14,7	4 850 21/14,1	6 570 21/14,4	9 480 21/13,9	11 830 21/14,6	19 880 21/14,6	23 500 21/14,7	33 300 21/14,3	40 720 21/14,3	51 820 21/14,4					
12,5		130 21/12,3	240 21/13,1	310 21/13,6	580 21/13,7	685 21/13,7	1 040 21/12,3	2 090 21/13,1	3 070 21/13,3	4 750 21/13,6	6 510 21/13,6	9 330 21/13	12 990 21/12,8	18 690 21/13,1	25 730 21/13,3	32 530 21/13,4	39 640 21/13,4	51 500 21/13,1				
11,2		—	—	—	—	—	—	3 250 21/11,9	4 830 21/11,9	6 890 21/11,8	9 820 21/11,2	13 750 21/11,5	19 730 21/11,8	27 170 21/11,9	34 470 21/11,5	42 970 21/11,5	54 350 21/11,8					

For n_1 lower than 560 min⁻¹ see page 107.

▲ Possible forced lubrication with heat exchanger: consult us.

Helical gear reducer selection tables

7

$n_{N2} \cdot L_h$ min ⁻¹ · h	i_N	P_{N2} kW																i_N	n_1	n_{N2} min ⁻¹	
		M_{N2} N m																			
		50	63	64	80	81	100	125	140	160	180	200	225	250	280	320	321				360
8 000 000	10	135 2/10,2	255 2/10,7	320 2/11,2	590 2/10,3	695 2/10,3	1 100 2/10,2	2 200 2/10,7	3 160 2/10,2	5 030 2/10,3	6 570 2/10,7	10 080 2/10,2	14 120 2/9,95	20 260 2/10,7	27 890 2/10,4	35 390 2/10,3	44 110 2/10,3	55 790 2/10,7			
	9	-	-	-	-	-	-	2 930 2/9,22	5 090 2/9,24	5 880 2/9,31	10 360 2/8,85	13 180 2/8,88	20 810 2/9,19	26 970 2/9,22	36 360 2/9,24	45 320 2/9,24	54 120 2/9,31				
	8	140 2/8,01	265 2/8,26	330 2/7,99	560 2/8,03	670 2/8,03	1 150 2/8,01	2 300 2/8,26	-	5 140 2/8,03	-	10 500 2/8,01	-	21 100 2/8,26	-	36 850 2/8,03	45 940 2/8,03	-			
	6,3	130 2/6,42	240 2/6,53	290 2/6,86	505 2/6,41	575 2/6,41	1 050 2/6,42	2 110 2/6,53	-	4 220 2/6,41	-	9 680 2/6,42	-	19 400 2/6,53	-	32 880 2/6,41	38 820 2/6,41	-			
	5	-	255 1/5	-	545 1/5,2	-	915 1/4,82	1 860 1/5	2 800 1/5	4 340 1/4,92	5 380 1/5,07	8 070 1/4,92	10 320 1/5,07	13 050 1/5,08	20 410 1/5	25 800 1/4,92	32 240 1/4,92	35 650 1/5,07			
	4,5	-	-	-	-	-	-	124 1 890 1/4,45	185 2 840 1/4,5	288 4 420 1/4,5	362 5 750 1/4,67	536 8 230 1/4,5	-	-	-	-	-	-	4,5	2800	630
	4	-	20 305 1/4	-	39,7 630 1/4,16	-	62,8 940 1/3,92	125 1 910 1/4	192 2 980 1/4,08	285 4 500 1/4,13	358 5 680 1/4,15	530 8 370 1/4,13	703 10 930 1/4,07	-	-	-	-	-	4	2500	
	3,55	-	-	-	-	-	-	151 2 320 1/3,62	191 2 970 1/3,64	272 4 190 1/3,62	397 6 090 1/3,6	542 8 250 1/3,57	697 10 900 1/3,67	-	-	-	-	-	3,55	2240	
	3,15	-	19,6 305 1/3,28	-	42,5 635 1/3,13	-	79,6 1 240 1/3,27	150 2 350 1/3,28	202 3 010 1/3,13	300 4 500 1/3,13	391 6 060 1/3,25	536 8 360 1/3,27	729 11 060 1/3,18	927 14 550 1/3,28▲	1 393 21 200 1/3,19▲	-	-	-	3,15	2000	
	2,8	-	-	-	-	-	-	159 2 320 1/2,75	199 2 980 1/2,82	298 4 440 1/2,81	408 6 130 1/2,83	564 8 450 1/2,82	717 10 780 1/2,83	1 035 15 450 1/2,81▲	1 306 19 570 1/2,82▲	-	-	-	2,8	1800	
	2,5	-	20,9 315 1/2,53	-	43,6 635 1/2,44	-	81,6 1 240 1/2,55	156 2 350 1/2,53	204 3 080 1/2,53	308 4 500 1/2,44	408 6 090 1/2,5	550 8 380 1/2,55	769 11 150 1/2,43	962 14 530 1/2,53	1 343 20 260 1/2,53▲	1 723 25 140 1/2,44▲	2 154 31 430 1/2,44▲	-	2,5	1600	
	2,24	-	-	-	-	-	-	150 2 330 1/2,28	196 3 070 1/2,3	287 4 330 1/2,21	357 5 450 1/2,24	556 8 340 1/2,2	734 11 370 1/2,27	928 14 760 1/2,33	1 287 20 200 1/2,3▲	1 656 25 560 1/2,26▲	2 070 31 950 1/2,26▲	-	2,24	1400	
2	-	-	-	-	-	-	133 2 030 1/2	-	256 3 820 1/1,95	-	527 8 250 1/2,05	-	951 14 540 1/2	-	1 689 25 190 1/1,95▲	2 111 31 490 1/1,95▲	-	2	1250		
7 100 000	25	105 2/24,4	225 2/24,1	270 2/25,1	475 2/26	545 2/26	985 2/23,7	1 970 2/24,1	2 900 2/24,1	4 250 2/24,6	5 800 2/25,4	8 590 2/24,2	11 010 2/25	17 350 2/25	21 850 2/24,6	24 970 2/25	34 840 2/25	39 870 2/25,7			
	22,4	-	-	-	-	-	-	3 030 2/21,7	4 760 2/22,5	6 220 2/23,3	8 760 2/22,2	11 250 2/23	19 500 2/22	22 180 2/22,2	28 120 2/22,8	35 450 2/22,8	44 430 2/23,4				
	20	125 2/20,1	240 2/19,3	315 2/20,1	580 2/20,8	685 2/20,8	1 020 2/19,3	2 040 2/19,3	3 080 2/19,6	4 860 2/20,7	6 130 2/20,8	8 930 2/20,3	12 250 2/20	18 080 2/19,7	24 170 2/20,1	30 640 2/20,6	37 250 2/20,6	48 440 2/20,3			
	18	-	-	-	-	-	-	3 060 2/17,6	4 770 2/18,1	6 390 2/18	9 210 2/17,6	12 930 2/18,1	18 540 2/17,8	25 490 2/17,9	32 380 2/17,8	40 330 2/17,8	50 670 2/18,3				
	16	135 2/16,3	245 2/15,8	325 2/16,5	600 2/15,7	705 2/15,7	1 050 2/16,1	2 070 2/15,8	3 060 2/15,1	5 120 2/15,7	6 380 2/16,6	9 480 2/16,1	12 500 2/15,6	19 010 2/16,2	24 370 2/15,7	33 300 2/15,9	41 480 2/15,9	50 430 2/16			

For n_1 lower than 560 min⁻¹ see page 107.

▲ Possible forced lubrication with heat exchanger: consult us.

$n_{N2} \cdot L_h$ min ⁻¹ · h	i_N	P_{N2} kW																i_N	n_1	n_{N2} min ⁻¹	
		M_{N2} N m																			
		... / i																			
		50	63	64	80	81	100	125	140	160	180	200	225	250	280	320	321	360			
7 100 000	14	-	-	-	-	-	-	-	3 090 21/14,7	5 030 21/14,1	6 790 21/14,4	9 780 21/13,9	12 210 21/14,6	20 600 21/14,6	24 260 21/14,7	34 380 21/14,3	42 040 21/14,3	53 500 21/14,4			
	12,5	135 21/12,3	250 21/13,1	320 21/13,6	580 21/13,7	685 21/13,7	1 070 21/12,3	2 150 21/13,1	3 150 21/13,3	4 920 21/13,6	6 690 21/13,6	9 580 21/13	13 350 21/12,8	19 200 21/13,1	26 430 21/13,3	33 430 21/13,4	40 730 21/13,4	52 910 21/13,1			
	11,2	-	-	-	-	-	-	-	3 330 21/11,9	4 950 21/11,9	7 080 21/11,8	10 080 21/11,2	14 120 21/11,5	20 260 21/11,8	27 890 21/11,9	35 390 21/11,5	44 110 21/11,5	55 790 21/11,8			
	10	140 21/10,2	260 21/10,7	330 21/11,2	615 21/10,3	720 21/10,3	1 130 21/10,2	2 270 21/10,7	3 240 21/10,2	5 210 21/10,3	6 750 21/10,7	10 360 21/10,2	14 500 21/9,95	20 810 21/10,7	28 650 21/10,4	36 360 21/10,3	45 320 21/10,3	57 320 21/10,7			
	9	-	-	-	-	-	-	-	2 970 21/9,22	5 160 21/9,24	5 960 21/9,31	10 500 21/8,85	13 360 21/8,88	21 100 21/9,19	27 330 21/9,22	36 850 21/9,24	45 940 21/9,24	54 860 21/9,31			
	8	145 21/8,01	270 21/8,26	335 21/7,99	575 21/8,03	680 21/8,03	1 160 21/8,01	2 330 21/8,26	-	5 210 21/8,03	-	10 630 21/8,01	-	21 360 21/8,26	-	37 320 21/8,03	46 520 21/8,03	-			
	6,3	130 21/6,42	245 21/6,53	290 21/6,86	515 21/6,41	585 21/6,41	1 070 21/6,42	2 140 21/6,53	-	4 280 21/6,41	-	9 810 21/6,42	-	19 670 21/6,53	-	33 350 21/6,41	39 380 21/6,41	-			
	5	-	15,1 255 1/5	-	31,6 560 1/5,2	-	57,5 945 1/4,82	113 1 930 1/5	170 2 900 1/5	268 4 490 1/4,92	322 5 570 1/5,07	498 8 360 1/4,92	-	-	-	-	-	-	5	2800	560
	4,5	-	-	-	-	-	-	115 1 950 1/4,45	171 2 940 1/4,5	266 4 580 1/4,5	334 5 950 1/4,67	495 8 510 1/4,5	612 10 900 1/4,67	-	-	-	-	-	4,5	2500	
	4	-	18 305 1/4	-	36,8 655 1/4,16	-	58,1 975 1/3,92	116 1 980 1/4	177 3 080 1/4,08	264 4 650 1/4,13	331 5 870 1/4,15	491 8 660 1/4,13	651 11 300 1/4,07	-	-	-	-	-	4	2240	
	3,55	-	-	-	-	-	-	139 2 400 1/3,62	176 3 070 1/3,64	251 4 340 1/3,62	366 6 300 1/3,6	501 8 540 1/3,57	644 11 280 1/3,67	906 15 640 1/3,62	1 159 20 160 1/3,64▲	-	-	-	3,55	2000	
	3,15	-	18,1 315 1/3,28	-	39,5 655 1/3,13	-	73,9 1 280 1/3,27	139 2 430 1/3,28	187 3 100 1/3,13	279 4 640 1/3,13	363 6 260 1/3,25	498 8 630 1/3,27	678 11 420 1/3,18	861 15 020 1/3,28	1 294 21 880 1/3,19▲	1 561 25 950 1/3,13▲	1 951 32 440 1/3,13▲	-	3,15	1800	
2,8	-	-	-	-	-	-	146 2 400 1/2,75	183 3 080 1/2,82	274 4 600 1/2,81	376 6 350 1/2,83	519 8 750 1/2,82	660 11 170 1/2,83	953 16 000 1/2,81	1 203 20 270 1/2,82▲	1 533 25 730 1/2,81▲	1 916 32 160 1/2,81▲	-	2,8	1600		
2,5	-	18,8 325 1/2,53	-	39,7 660 1/2,44	-	74,3 1 300 1/2,55	142 2 440 1/2,53	186 3 210 1/2,53	281 4 680 1/2,44	357 6 090 1/2,5	501 8 730 1/2,55	701 11 610 1/2,43	876 15 120 1/2,53	1 223 21 080 1/2,53	1 569 26 170 1/2,44▲	1 962 32 710 1/2,44▲	2 178 37 140 1/2,5▲	2,5	1400		
2,24	-	-	-	-	-	-	138 2 410 1/2,28	181 3 180 1/2,3	256 4 330 1/2,21	319 5 450 1/2,24	513 8 630 1/2,2	661 11 470 1/2,27	857 15 280 1/2,33	1 189 20 900 1/2,3	1 530 26 450 1/2,26▲	1 912 33 060 1/2,26▲	2 111 36 870 1/2,29▲	2,24	1250		
2	-	-	-	-	-	-	120 2 050 1/2	-	230 3 820 1/1,95	-	473 8 250 1/2,05	-	881 15 020 1/2	-	1 564 26 040 1/1,95▲	1 955 32 550 1/1,95▲	-	2	1120		
6 300 000	28	-	-	-	-	875 21/28,8	-	2 510 31/29,1	4 290 31/28,4	5 040 31/28,6	8 720 31/27,2	11 320 31/27,3	17 500 31/28,7	22 610 31/28,8	30 650 31/30	38 140 31/30	46 430 31/30,3				
	25	110 21/24,4	230 21/24,1	280 21/25,1	490 21/26	560 21/26	1 020 21/23,7	2 040 21/24,1	2 900 21/24,1	4 370 21/24,6	6 000 21/25,4	8 890 21/24,2	11 390 21/25	17 950 21/25	22 610 21/24,6	25 640 21/25	36 050 21/25	40 930 21/25,7			

For n_1 lower than 560 min⁻¹ see page 107.

▲ Possible forced lubrication with heat exchanger: consult us.

$n_{N2} \cdot L_h$ min ⁻¹ · h	i_N	P_{N2} kW																i_N	n_1	n_{N2} min ⁻¹	
		M_{N2} N m																			
		... / i																			
		50	63	64	80	81	100	125	140	160	180	200	225	250	280	320	321	360			
6 300 000	22,4	-	-	-	-	-	-	-	3 140 21/21,7	4 920 21/22,5	6 430 21/23,3	9 060 21/22,2	11 630 21/23	20 000 21/22	22 780 21/22,2	28 890 21/22,8	36 640 21/22,8	45 640 21/23,4			
	20	130 21/20,1	250 21/19,3	325 21/20,1	585 21/20,8	685 21/20,8	1 060 21/19,3	2 110 21/19,3	3 180 21/19,6	5 020 21/20,7	6 290 21/20,8	9 240 21/20,3	12 560 21/20	18 710 21/19,7	24 790 21/20,1	31 420 21/20,6	38 200 21/20,6	49 680 21/20,3			
	18	-	-	-	-	-	-	-	3 160 21/17,6	4 930 21/18,1	6 590 21/18	9 480 21/17,6	13 300 21/18,1	19 140 21/17,8	26 220 21/17,9	33 300 21/17,8	41 480 21/17,8	52 120 21/18,3			
	16	140 21/16,3	255 21/15,8	335 21/16,5	625 21/15,7	735 21/15,7	1 090 21/16,1	2 140 21/15,8	3 160 21/15,1	5 310 21/15,7	6 590 21/16,6	9 780 21/16,1	12 900 21/15,6	19 630 21/16,2	25 160 21/15,7	34 380 21/15,9	42 820 21/15,9	52 060 21/16			
	14	-	-	-	-	-	-	-	3 210 21/14,7	5 210 21/14,1	6 970 21/14,4	10 050 21/13,9	12 550 21/14,6	21 350 21/14,6	24 930 21/14,7	35 320 21/14,3	43 190 21/14,3	54 970 21/14,4			
	12,5	140 21/12,3	255 21/13,1	330 21/13,6	585 21/13,7	690 21/13,7	1 100 21/12,3	2 200 21/13,1	3 260 21/13,3	5 100 21/13,6	6 870 21/13,6	9 840 21/13	13 700 21/12,8	19 710 21/13,1	27 130 21/13,3	34 310 21/13,4	41 810 21/13,4	54 320 21/13,1			
	11,2	-	-	-	-	-	-	-	3 420 21/11,9	5 090 21/11,9	7 270 21/11,8	10 360 21/11,2	14 500 21/11,5	20 810 21/11,8	28 650 21/11,9	36 360 21/11,5	45 320 21/11,5	57 320 21/11,8			
	10	140 21/10,2	265 21/10,7	345 21/11,2	635 21/10,3	745 21/10,3	1 150 21/10,2	2 300 21/10,7	3 290 21/10,2	5 390 21/10,3	6 840 21/10,7	10 500 21/10,2	14 700 21/9,95	21 100 21/10,7	29 040 21/10,4	36 850 21/10,3	45 940 21/10,3	58 100 21/10,7			
	9	-	-	-	-	-	-	-	3 010 21/9,22	5 220 21/9,24	6 040 21/9,31	10 630 21/8,85	13 530 21/8,88	21 360 21/9,19	27 680 21/9,22	37 320 21/9,24	46 520 21/9,24	55 550 21/9,31			
	8	145 21/8,01	270 21/8,26	340 21/7,99	595 21/8,03	700 21/8,03	1 180 21/8,01	2 360 21/8,26	-	5 280 21/8,03	-	10 780 21/8,01	-	21 670 21/8,26	-	37 850 21/8,03	47 180 21/8,03	-			
6,3	130 21/6,42	250 21/6,53	295 21/6,86	520 21/6,41	600 21/6,41	1 080 21/6,42	2 170 21/6,53	-	4 340 21/6,41	-	9 960 21/6,42	-	19 960 21/6,53	-	33 830 21/6,41	39 950 21/6,41	-				
5	-	13,9 265 1/5	-	28,3 560 1/5,2	-	53,2 980 1/4,82	104 1 990 1/5	157 3 000 1/5	247 4 650 1/4,92	298 5 770 1/5,07	460 8 650 1/4,92	571 11 060 1/5,07	-	-	-	-	-	5	2500	500	
4,5	-	-	-	-	-	-	106 2 020 1/4,45	158 3 040 1/4,5	246 4 730 1/4,5	309 6 150 1/4,67	458 8 800 1/4,5	566 11 270 1/4,67	-	-	-	-	-	4,5	2240		
4	-	16,1 305 1/4	-	32,7 650 1/4,16	-	53,7 1 010 1/3,92	107 2 040 1/4	164 3 190 1/4,08	244 4 810 1/4,13	306 6 070 1/4,15	454 8 950 1/4,13	601 11 690 1/4,07	793 15 140 1/4	1 133 22 050 1/4,08	-	28 170 1/4,07	35 210 1/4,07	4	2000		
3,55	-	-	-	-	-	-	129 2 480 1/3,62	164 3 170 1/3,64	233 4 480 1/3,62	340 6 500 1/3,6	465 8 810 1/3,57	598 11 640 1/3,67	842 16 150 1/3,62	1 077 20 810 1/3,64	1 457 27 060 1/3,5▲	1 822 33 830 1/3,5▲	1 951 37 270 1/3,6▲	3,55	1800		
3,15	-	16,1 315 1/3,28	-	36,4 680 1/3,13	-	68,1 1 330 1/3,27	128 2 510 1/3,28	172 3 220 1/3,13	257 4 810 1/3,13	334 6 480 1/3,25	459 8 940 1/3,27	624 11 830 1/3,18	793 15 560 1/3,28	1 192 22 670 1/3,19	1 437 26 880 1/3,13▲	1 797 33 600 1/3,13▲	1 916 37 170 1/3,25▲	3,15	1600		
2,8	-	-	-	-	-	-	133 2 500 1/2,75	167 3 210 1/2,82	250 4 790 1/2,81	342 6 610 1/2,83	473 9 110 1/2,82	601 11 620 1/2,83	868 16 660 1/2,81	1 096 21 100 1/2,82	1 396 26 780 1/2,81▲	1 745 33 480 1/2,81▲	1 962 37 910 1/2,83▲	2,8	1400		
2,5	-	16,8 325 1/2,53	-	36,7 685 1/2,44	-	67,5 1 320 1/2,55	131 2 530 1/2,53	172 3 320 1/2,53	254 4 750 1/2,44	319 6 090 1/2,5	462 9 030 1/2,55	647 12 010 1/2,43	810 15 650 1/2,53	1 130 21 810 1/2,53	1 450 27 070 1/2,44	1 812 33 840 1/2,44	2 012 38 430 1/2,5▲	2,5	1250		

For n_1 lower than 560 min⁻¹ see page 107.

▲ Possible forced lubrication with heat exchanger: consult us.

Helical gear reducer selection tables

$n_{N2} \cdot L_h$ min ⁻¹ · h	i_N	P_{N2} kW																i_N	n_1 min ⁻¹	n_{N2} min ⁻¹	
		M_{N2} N m																			
		50	63	64	80	81	100	125	140	160	180	200	225	250	280	320	321				360
6 300 000	2,24	-	-	-	-	-	-	128 2 490 1/2,28	168 3 290 1/2,3	230 4 330 1/2,21	286 5 450 1/2,24	475 8 920 1/2,2	592 11 470 1/2,27	793 15 790 1/2,33	1 101 21 600 1/2,3	1 416 27 330 1/2,26	1 771 34 170 1/2,26	1 955 38 110 1/2,29▲	2,24	1120	500
	2	-	-	-	-	-	-	109 2 080 1/2	-	205 3 820 1/1,95	-	422 8 250 1/2,05	-	814 15 540 1/2	-	1 445 26 940 1/1,95	1 806 33 670 1/1,95	-	2	1000	
5 600 000	31,5	-	250 31/33,5	280 31/34,9	515 31/32,8	605 31/32,8	1 060 31/32,6	1 800 31/33,5	2 780 31/32,2	4 290 31/31,6	5 780 31/32,8	8 910 31/31,5	12 260 31/30,6	17 500 31/33,5	24 180 31/32,5	30 650 31/33,5	38 140 31/33,5	48 360 31/34,7			
	28	-	-	-	-	-	900 21/28,8	-	2 580 31/29,1	4 400 31/28,4	5 170 31/28,6	8 950 31/27,2	11 620 31/27,3	17 970 31/28,7	23 210 31/28,8	31 460 31/30	39 150 31/30	47 660 31/30,3			
	25	110 21/24,4	235 21/24,1	290 21/25,1	495 21/26	580 21/26	1 050 21/23,7	2 110 21/24,1	3 000 21/24,1	4 500 21/24,6	6 200 21/25,4	9 180 21/24,2	11 770 21/25	18 550 21/25	23 370 21/24,6	26 340 21/25	37 260 21/25	42 050 21/25,7			
	22,4	-	-	-	-	-	-	-	3 240 21/21,7	5 090 21/22,5	6 650 21/23,3	9 370 21/22,2	12 030 21/23	20 600 21/22	23 360 21/22,2	29 630 21/22,8	37 910 21/22,8	46 810 21/23,4			
	20	130 21/20,1	255 21/19,3	335 21/20,1	585 21/20,8	690 21/20,8	1 090 21/19,3	2 180 21/19,3	3 290 21/19,6	5 180 21/20,7	6 470 21/20,8	9 540 21/20,3	12 920 21/20	19 310 21/19,7	25 490 21/20,1	32 320 21/20,6	39 290 21/20,6	51 090 21/20,3			
	18	-	-	-	-	-	-	-	3 270 21/17,6	5 100 21/18,1	6 830 21/18	9 780 21/17,6	13 730 21/18,1	19 830 21/17,8	27 070 21/17,9	34 380 21/17,8	42 820 21/17,8	53 810 21/18,3			
	16	145 21/16,3	265 21/15,8	345 21/16,5	645 21/15,7	760 21/15,7	1 130 21/16,1	2 190 21/15,8	3 250 21/15,1	5 500 21/15,7	6 770 21/16,6	10 050 21/16,1	13 260 21/15,6	20 170 21/16,2	25 850 21/15,7	35 320 21/15,9	43 990 21/15,9	53 490 21/16			
	14	-	-	-	-	-	-	-	3 320 21/14,7	5 400 21/14,1	7 160 21/14,4	10 320 21/13,9	12 880 21/14,6	22 130 21/14,6	25 590 21/14,7	36 260 21/14,3	44 330 21/14,3	56 430 21/14,4			
	12,5	145 21/12,3	265 21/13,1	345 21/13,6	585 21/13,7	690 21/13,7	1 130 21/12,3	2 270 21/13,1	3 370 21/13,3	5 290 21/13,6	7 060 21/13,6	10 100 21/13	14 080 21/12,8	20 250 21/13,1	27 880 21/13,3	35 250 21/13,4	42 960 21/13,4	55 800 21/13,1			
	11,2	-	-	-	-	-	-	-	3 470 21/11,9	5 180 21/11,9	7 370 21/11,8	10 500 21/11,2	14 700 21/11,5	21 100 21/11,8	29 040 21/11,9	36 850 21/11,5	45 940 21/11,5	58 100 21/11,8			
	10	145 21/10,2	270 21/10,7	355 21/11,2	655 21/10,3	770 21/10,3	1 160 21/10,2	2 330 21/10,7	3 330 21/10,2	5 570 21/10,3	6 930 21/10,7	10 630 21/10,2	14 890 21/9,95	21 360 21/10,7	29 410 21/10,4	37 320 21/10,3	46 520 21/10,3	58 840 21/10,7			
	9	-	-	-	-	-	-	-	3 050 21/9,22	5 300 21/9,24	6 120 21/9,31	10 780 21/8,85	13 720 21/8,88	21 670 21/9,19	28 070 21/9,22	37 850 21/9,24	47 180 21/9,24	56 340 21/9,31			
	8	150 21/8,01	275 21/8,26	345 21/7,99	620 21/8,03	725 21/8,03	1 190 21/8,01	2 390 21/8,26	-	5 360 21/8,03	-	10 940 21/8,01	-	21 980 21/8,26	-	38 390 21/8,03	47 860 21/8,03	-			
6,3	6,12 135 21/6,42	11,3 250 21/6,53	12,8 300 21/6,86	24,2 530 21/6,41	28,5 625 21/6,41	50,7 1 110 21/6,42	98,7 2 200 21/6,53	-	201 4 400 21/6,41	-	461 10 100 21/6,42	-	908 20 240 21/6,53▲	-	- 34 310 21/6,41	- 40 510 21/6,41	-	6,3	2800	450	
5	-	12,4 265 1/5	-	25,4 565 1/5,2	-	49,2 1 010 1/4,82	96,6 2 060 1/5	145 3 100 1/5	229 4 810 1/4,92	276 5 960 1/5,07	426 8 940 1/4,92	529 11 430 1/5,07	- 14 460 1/5,08	- 22 610 1/5	- 28 570 1/4,92	- 35 720 1/4,92	- 39 490 1/5,07	5	2240		
4,5	-	-	-	-	-	-	98,1 2 090 1/4,45	146 3 140 1/4,5	228 4 890 1/4,5	286 6 370 1/4,67	423 9 100 1/4,5	523 11 660 1/4,67	784 16 720 1/4,47	949 20 390 1/4,5	- 29 000 1/4,5	- 36 250 1/4,5	- 39 830 1/4,6	4,5	2000		

For n_1 lower than 560 min⁻¹ see page 107.

▲ Possible forced lubrication with heat exchanger: consult us.

$n_{N2} \cdot L_h$ min ⁻¹ · h	i_N	P_{N2} kW																i_N	n_1	n_{N2} min ⁻¹	
		M_{N2} N m																			
		... / i																			
		50	63	64	80	81	100	125	140	160	180	200	225	250	280	320	321	360			
5 600 000	4	-	14,8 315 1/4	-	30,3 670 1/4,16	-	49,9 1 040 1/3,92	99,4 2 110 1/4	152 3 290 1/4,08	227 4 970 1/4,13	284 6 270 1/4,15	421 9 240 1/4,13	559 12 070 1/4,07	737 15 630 1/4	1 052 22 760 1/4,08	1 347 29 070 1/4,07	1 684 36 340 1/4,07	1 822 38 660 1/4▲	4	1800	450
	3,55	-	-	-	-	-	119 2 570 1/3,62	151 3 280 1/3,64	215 4 640 1/3,62	313 6 730 1/3,6	428 9 130 1/3,57	551 12 060 1/3,67	775 16 730 1/3,62	992 21 560 1/3,64	1 342 28 030 1/3,5	1 677 35 040 1/3,5	1 797 38 610 1/3,6▲	3,55	1600		
	3,15	-	14,5 325 1/3,28	-	32,3 690 1/3,13	-	62 1 380 1/3,27	117 2 620 1/3,28	157 3 350 1/3,13	234 5 000 1/3,13	304 6 750 1/3,25	418 9 310 1/3,27	568 12 310 1/3,18	722 16 190 1/3,28	1 085 23 600 1/3,19	1 309 27 980 1/3,13	1 636 34 980 1/3,13	1 745 38 690 1/3,25▲	3,15	1400	
	2,8	-	-	-	-	-	123 2 590 1/2,75	154 3 320 1/2,82	231 4 950 1/2,81	286 6 840 1/2,83	428 9 430 1/2,82	589 12 030 1/2,83	750 17 230 1/2,81	1 047 21 830 1/2,82	1 342 27 710 1/2,81	1 678 34 640 1/2,81	1 863 39 230 1/2,83▲	2,8	1250		
	2,5	-	15,1 325 1/2,53	-	33,9 710 1/2,44	-	60,5 1 320 1/2,55	121 2 610 1/2,53	159 3 430 1/2,53	228 4 750 1/2,44	286 6 090 1/2,5	428 9 330 1/2,55	589 12 200 1/2,43	750 16 170 1/2,53	1 047 22 540 1/2,53	1 342 27 980 1/2,44	1 678 34 980 1/2,44	1 863 39 710 1/2,5	2,5	1120	
	2,24	-	-	-	-	-	118 2 580 1/2,28	155 3 400 1/2,3	205 4 330 1/2,21	255 5 450 1/2,24	425 8 930 1/2,2	529 11 470 1/2,27	733 16 330 1/2,33	1 017 22 340 1/2,3	1 308 28 280 1/2,26	1 636 35 350 1/2,26	1 806 39 420 1/2,29	2,24	1000		
	2	-	-	-	-	-	99,3 2 110 1/2	-	185 3 820 1/1,95	-	380 8 250 1/2,05	-	756 16 040 1/2	-	1 342 27 800 1/1,95	1 678 34 760 1/1,95	2	900			
5 000 000	35,5	-	-	-	-	-	-	2 890 31/37,5	4 870 31/36,5	6 130 31/36,3	9 750 31/34,4	12 260 31/35,4	17 660 31/36,9	24 180 31/37,2	30 650 31/37,4	38 140 31/37,4	48 360 31/38,4				
	31,5	-	255 31/33,5	290 31/34,9	530 31/32,8	625 31/32,8	1 090 31/32,6	1 850 31/33,5	2 860 31/32,2	4 400 31/31,6	5 930 31/32,8	9 220 31/31,5	12 580 31/30,6	17 970 31/33,5	24 820 31/32,5	31 460 31/33,5	39 150 31/33,5	49 640 31/34,7			
	28	-	-	-	-	925 21/28,8	-	2 650 31/29,1	4 530 31/28,4	5 310 31/28,6	9 190 31/27,2	11 930 31/27,3	18 460 31/28,7	23 850 31/28,8	32 320 31/30	40 230 31/30	48 970 31/30,3				
	25	110 21/24,4	245 21/24,1	300 21/25,1	495 21/26	585 21/26	1 090 21/23,7	2 120 21/24,1	3 070 21/24,1	4 620 21/24,6	6 410 21/25,4	9 500 21/24,2	12 180 21/25	19 190 21/25	24 170 21/24,6	27 010 21/25	38 540 21/25	43 120 21/25,7			
	22,4	-	-	-	-	-	-	3 350 21/21,7	5 260 21/22,5	6 860 21/23,3	9 670 21/22,2	12 410 21/23	21 200 21/22	24 030 21/22,2	30 470 21/22,8	39 120 21/22,8	48 140 21/23,4				
	20	135 21/20,1	265 21/19,3	345 21/20,1	590 21/20,8	690 21/20,8	1 130 21/19,3	2 250 21/19,3	3 400 21/19,6	5 370 21/20,7	6 670 21/20,8	9 880 21/20,3	13 340 21/20	20 000 21/19,7	26 320 21/20,1	33 360 21/20,6	40 560 21/20,6	52 740 21/20,3			
	18	-	-	-	-	-	-	3 390 21/17,6	5 290 21/18,1	7 080 21/18	10 050 21/17,6	14 110 21/18,1	20 550 21/17,8	27 810 21/17,9	35 320 21/17,8	43 990 21/17,8	55 280 21/18,3				
	16	150 21/16,3	275 21/15,8	360 21/16,5	670 21/15,7	785 21/15,7	1 170 21/16,1	2 250 21/15,8	3 330 21/15,1	5 700 21/15,7	6 950 21/16,6	10 320 21/16,1	13 610 21/15,6	20 700 21/16,2	26 540 21/15,7	36 260 21/15,9	45 160 21/15,9	54 910 21/16			
	14	-	-	-	-	-	-	3 440 21/14,7	5 600 21/14,1	7 350 21/14,4	10 600 21/13,9	13 230 21/14,6	22 410 21/14,6	26 290 21/14,7	37 250 21/14,3	45 550 21/14,3	57 970 21/14,4				
	12,5	150 21/12,3	275 21/13,1	355 21/13,6	590 21/13,7	695 21/13,7	1 150 21/12,3	2 320 21/13,1	3 490 21/13,3	5 470 21/13,6	7 160 21/13,6	10 240 21/13	14 270 21/12,8	20 540 21/13,1	28 260 21/13,3	35 730 21/13,4	43 540 21/13,4	56 560 21/13,1			
	11,2	-	-	-	-	-	-	3 510 21/11,9	5 350 21/11,9	7 460 21/11,8	10 630 21/11,2	14 890 21/11,5	21 360 21/11,8	29 410 21/11,9	37 320 21/11,5	46 520 21/11,5	58 840 21/11,8				

For n_1 lower than 560 min⁻¹ see page 107.

▲ Possible forced lubrication with heat exchanger: consult us.

$n_{N2} \cdot L_h$ min ⁻¹ · h	i_N	P_{N2} kW																i_N	n_1 min ⁻¹	n_{N2} min ⁻¹		
		M_{N2} N m																				
		... / i																				
		50	63	64	80	81	100	125	140	160	180	200	225	250	280	320	321	360				
5 000 000	10	150 21/10,2	280 21/10,7	365 21/11,2	680 21/10,3	800 21/10,3	1 180 21/10,2	2 370 21/10,7	3 380 21/10,2	5 770 21/10,3	7 140 21/10,7	10 780 21/10,2	15 100 21/9,95	21 670 21/10,7	29 830 21/10,4	37 850 21/10,3	47 180 21/10,3	59 670 21/10,7				
	9	-	-	-	-	-	-	-	3 100 21/9,22	5 370 21/9,24	6 210 21/9,31	10 940 21/8,85	13 910 21/8,88	21 980 21/9,19	28 480 21/9,22	38 390 21/9,24	47 860 21/9,24	57 150 21/9,31				
	8	150 21/8,01	280 21/8,26	350 21/7,99	640 21/8,03	755 21/8,03	1 210 21/8,01	2 430 21/8,26	-	5 440 21/8,03	-	11 100 21/8,01	-	22 290 21/8,26	-	38 940 21/8,03	48 540 21/8,03	-				
	6,3	5,54 21/6,42	10,2 21/6,53	11,8 21/6,86	22,4 21/6,41	26,3 21/6,41	46,9 21/6,42	89,4 21/6,53	-	182 21/6,41	-	418 21/6,42	-	822 21/6,53▲	-	34 780 21/6,41	41 060 21/6,41	-	6,3	2500	400	
	5	-	11,4 270 1/5	-	22,8 565 1/5,2	-	45,5 1 050 1/4,82	89,2 2 130 1/5	134 3 200 1/5	211 4 970 1/4,92	255 6 170 1/5,07	393 9 250 1/4,92	488 11 830 1/5,07	617 14 960 1/5,08	980 23 390 1/5	-	-	-	5	2000		
	4,5	-	-	-	-	-	91,1 2 150 1/4,45	136 3 250 1/4,5	212 5 050 1/4,5	265 6 570 1/4,67	393 9 390 1/4,5	486 12 030 1/4,67	728 17 260 1/4,47	882 21 050 1/4,5	1 254 29 930 1/4,5	1 567 37 420 1/4,5	1 684 41 110 1/4,6▲	4,5	1800			
	4	-	13,2 315 1/4	-	26,9 670 1/4,16	-	45,9 1 080 1/3,92	91,5 2 180 1/4	140 3 410 1/4,08	209 5 150 1/4,13	262 6 490 1/4,15	388 9 570 1/4,13	514 12 500 1/4,07	678 16 190 1/4	969 23 580 1/4,08	1 241 30 120 1/4,07	1 551 37 650 1/4,07	1 677 40 050 1/4	4	1600		
	3,55	-	-	-	-	-	108 2 680 1/3,62	137 3 420 1/3,64	196 4 830 1/3,62	285 7 010 1/3,6	390 9 500 1/3,57	502 12 550 1/3,67	706 17 410 1/3,62	903 22 440 1/3,64	1 222 29 180 1/3,5	1 528 36 470 1/3,5	1 636 40 180 1/3,6	3,55	1400			
	3,15	-	12,9 325 1/3,28	-	28,8 690 1/3,13	-	56,1 1 400 1/3,27	108 2 710 1/3,28	145 3 460 1/3,13	216 5 180 1/3,13	281 6 980 1/3,25	386 9 630 1/3,27	525 12 740 1/3,18	667 16 750 1/3,28	1 003 24 410 1/3,19	1 209 28 950 1/3,13	1 512 36 180 1/3,13	1 612 40 020 1/3,25	3,15	1250		
	2,8	-	-	-	-	-	114 2 670 1/2,75	143 3 430 1/2,82	214 5 120 1/2,81	286 6 900 1/2,83	405 9 740 1/2,82	514 12 430 1/2,83	743 17 810 1/2,81	937 22 560 1/2,82	1 194 28 640 1/2,81	1 493 35 800 1/2,81	1 678 40 540 1/2,83	2,8	1120			
2,5	-	13,9 335 1/2,53	-	30,4 710 1/2,44	-	54 1 320 1/2,55	112 2 700 1/2,53	147 3 550 1/2,53	203 4 750 1/2,44	255 6 090 1/2,5	396 9 650 1/2,55	526 12 200 1/2,43	693 16 730 1/2,53	967 23 320 1/2,53	1 240 28 950 1/2,44	1 550 36 180 1/2,44	1 721 41 090 1/2,5	2,5	1000			
2,24	-	-	-	-	-	110 2 660 1/2,28	144 3 510 1/2,3	185 4 330 1/2,21	229 5 450 1/2,24	382 8 930 1/2,2	476 11 470 1/2,27	681 16 860 1/2,33	945 23 060 1/2,3	1 215 29 190 1/2,26	1 519 36 480 1/2,26	1 678 40 690 1/2,29	2,24	900				
2	-	-	-	-	-	89,5 2 140 1/2	-	164 3 820 1/1,95	-	338 8 250 1/2,05	-	696 16 620 1/2	-	1 236 28 800 1/1,95	1 520 35 430 1/1,95	-	2	800				
4 500 000	40	-	265 31/40,8	325 31/42,5	560 31/43,6	650 31/43,6	1 150 31/39,1	2 030 31/40,8	2 890 31/38,7	5 140 31/38,5	5 930 31/39,9	10 600 31/41,5	12 520 31/40,4	18 030 31/42,4	24 180 31/41,2	30 650 31/40,7	38 140 31/40,7	48 360 31/42,3				
	35,5	-	-	-	-	-	-	2 970 31/37,5	5 040 31/36,5	6 290 31/36,3	10 080 31/34,4	12 580 31/35,4	18 280 31/36,9	24 820 31/37,2	31 460 31/37,4	39 150 31/37,4	49 640 31/38,4					
	31,5	-	265 31/33,5	290 31/34,9	550 31/32,8	645 31/32,8	1 130 31/32,6	1 900 31/33,5	2 930 31/32,2	4 530 31/31,6	6 090 31/32,8	9 530 31/31,5	12 930 31/30,6	18 460 31/33,5	25 500 31/32,5	32 320 31/33,5	40 230 31/33,5	51 000 31/34,7				
	28	-	-	-	-	950 21/28,8	-	2 720 31/29,1	4 640 31/28,4	5 450 31/28,6	9 430 31/27,2	12 240 31/27,3	18 930 31/28,7	24 460 31/28,8	33 150 31/30	41 250 31/30	50 210 31/30,3					
	25	120 21/24,4	250 21/24,1	305 21/25,1	495 21/26	585 21/26	1 120 21/23,7	2 180 21/24,1	3 150 21/24,1	4 750 21/24,6	6 620 21/25,4	9 810 21/24,2	12 570 21/25	19 810 21/25	24 950 21/24,6	27 780 21/25	39 780 21/25	44 350 21/25,7				

For n_1 lower than 560 min⁻¹ see page 107.

▲ Possible forced lubrication with heat exchanger: consult us.

$n_{N2} \cdot L_h$ min ⁻¹ · h	i_N	P_{N2} kW																i_N	n_1 min ⁻¹	n_{N2} min ⁻¹		
		M_{N2} N m																				
		... / i																				
		50	63	64	80	81	100	125	140	160	180	200	225	250	280	320	321	360				
4 500 000	22,4	-	-	-	-	-	-	-	3 470 21/21,7	5 440 21/22,5	7 110 21/23,3	10 020 21/22,2	12 860 21/23	22 450 21/22	24 810 21/22,2	31 460 21/22,8	40 530 21/22,8	49 700 21/23,4				
	20	140 21/20,1	275 21/19,3	360 21/20,1	590 21/20,8	695 21/20,8	1 170 21/19,3	2 340 21/19,3	3 530 21/19,6	5 570 21/20,7	6 860 21/20,8	10 240 21/20,3	13 700 21/20	20 730 21/19,7	27 040 21/20,1	34 280 21/20,6	41 670 21/20,6	54 190 21/20,3				
	18	-	-	-	-	-	-	-	3 510 21/17,6	5 480 21/18,1	7 340 21/18	10 320 21/17,6	14 480 21/18,1	21 300 21/17,8	28 550 21/17,9	36 260 21/17,8	45 160 21/17,8	56 750 21/18,3				
	16	155 21/16,3	285 21/15,8	370 21/16,5	695 21/15,7	815 21/15,7	1 210 21/16,1	2 310 21/15,8	3 430 21/15,1	5 910 21/15,7	7 140 21/16,6	10 600 21/16,1	13 980 21/15,6	21 270 21/16,2	27 270 21/15,7	37 250 21/15,9	46 400 21/15,9	56 410 21/16				
	14	-	-	-	-	-	-	-	3 560 21/14,7	5 790 21/14,1	7 450 21/14,4	10 750 21/13,9	13 410 21/14,6	22 490 21/14,6	26 650 21/14,7	37 760 21/14,3	46 170 21/14,3	58 760 21/14,4				
	12,5	155 21/12,3	280 21/13,1	360 21/13,6	590 21/13,7	695 21/13,7	1 160 21/12,3	2 390 21/13,1	3 600 21/13,3	5 650 21/13,6	7 250 21/13,6	10 370 21/13	14 450 21/12,8	21 200 21/13,1	28 610 21/13,3	36 190 21/13,4	44 090 21/13,4	57 280 21/13,1				
	11,2	-	-	-	-	-	-	-	3 580 21/11,9	5 540 21/11,9	7 570 21/11,8	10 780 21/11,2	15 100 21/11,5	21 670 21/11,8	29 830 21/11,9	37 850 21/11,5	47 180 21/11,5	59 670 21/11,8				
	10	155 21/10,2	290 21/10,7	380 21/11,2	705 21/10,3	825 21/10,3	1 190 21/10,2	2 450 21/10,7	3 430 21/10,2	5 980 21/10,3	7 400 21/10,7	10 940 21/10,2	15 310 21/9,95	21 980 21/10,7	30 250 21/10,4	38 390 21/10,3	47 860 21/10,3	60 530 21/10,7				
	9	-	-	-	-	-	-	-	3 140 21/9,22	5 450 21/9,24	6 300 21/9,31	11 100 21/8,85	14 110 21/8,88	22 290 21/9,19	28 880 21/9,22	38 940 21/9,24	48 540 21/9,24	57 970 21/9,31				
	8	5,58 150 21/8,01	10,3 290 21/8,26	13 355 21/7,99	24,2 665 21/8,03	28,5 780 21/8,03	44,9 1 230 21/8,01	87,3 2 460 21/8,26	-	201 5 510 21/8,03	-	412 11 250 21/8,01	-	802 22 610 21/8,26▲	-	- 39 490 21/8,03	- 49 230 21/8,03	-	8	2800	355	
	6,3	5,03 140 21/6,42	9,29 260 21/6,53	11 320 21/6,86	20,7 565 21/6,41	24,4 665 21/6,41	43,4 1 190 21/6,42	81,1 2 260 21/6,53	-	165 4 520 21/6,41	-	379 10 370 21/6,42	-	746 20 790 21/6,53	-	- 35 240 21/6,41	- 41 610 21/6,41	-	6,3	2240		
	5	-	10,3 270 1/5	-	20,6 570 1/5,2	-	42,2 1 080 1/4,82	82,9 2 200 1/5	125 3 310 1/5	196 5 130 1/4,92	237 6 360 1/5,07	365 9 540 1/4,92	454 12 210 1/5,07	573 15 440 1/5,08	910 24 150 1/5	1 168 30 510 1/4,92	1 460 38 140 1/4,92	1 567 42 170 1/5,07	5	1800		
	4,5	-	-	-	-	-	-	83,9 2 230 1/4,45	125 3 360 1/4,5	195 5 230 1/4,5	244 6 810 1/4,67	362 9 730 1/4,5	448 12 470 1/4,67	671 17 880 1/4,47	812 21 800 1/4,5	1 155 31 010 1/4,5	1 443 38 760 1/4,5	1 551 42 590 1/4,6	4,5	1600		
	4	-	11,9 325 1/4	-	24,4 695 1/4,16	-	41,8 1 120 1/3,92	83,4 2 270 1/4	128 3 550 1/4,08	190 5 360 1/4,13	239 6 760 1/4,15	353 9 970 1/4,13	468 13 010 1/4,07	618 16 860 1/4	882 24 540 1/4,08	1 130 31 350 1/4,07	1 413 39 190 1/4,07	1 528 41 690 1/4	4	1400		
	3,55	-	-	-	-	-	-	100 2 770 1/3,62	127 3 530 1/3,64	181 4 990 1/3,62	264 7 250 1/3,6	360 9 830 1/3,57	463 12 980 1/3,67	652 18 010 1/3,62	834 23 220 1/3,64	1 129 30 190 1/3,5	1 411 37 740 1/3,5	1 512 41 570 1/3,6	3,55	1250		
	3,15	-	11,6 325 1/3,28	-	25,8 690 1/3,13	-	51,3 1 430 1/3,27	99,9 2 800 1/3,28	134 3 580 1/3,13	200 5 350 1/3,13	260 7 220 1/3,25	357 9 950 1/3,27	486 13 160 1/3,18	618 17 310 1/3,28	928 25 230 1/3,19	1 120 29 920 1/3,13	1 400 37 400 1/3,13	1 493 41 360 1/3,25	3,15	1120		
2,8	-	-	-	-	-	-	105 2 770 1/2,75	132 3 550 1/2,82	197 5 300 1/2,81	255 6 900 1/2,83	374 10 080 1/2,82	475 12 860 1/2,83	686 18 430 1/2,81	866 23 340 1/2,82	1 103 29 630 1/2,81	1 379 37 030 1/2,81	1 550 41 940 1/2,83	2,8	1000			
2,5	-	12,5 335 1/2,53	-	27,4 710 1/2,44	-	48,6 1 320 1/2,55	104 2 790 1/2,53	137 3 660 1/2,53	183 4 750 1/2,44	230 6 090 1/2,5	367 9 960 1/2,55	473 12 200 1/2,43	643 17 270 1/2,53	898 24 070 1/2,53	1 152 29 880 1/2,44	1 440 37 350 1/2,44	1 599 42 410 1/2,5	2,5	900			

For n_1 lower than 560 min⁻¹ see page 107.

▲ Possible forced lubrication with heat exchanger: consult us.

Helical gear reducer selection tables

$n_{N2} \cdot L_h$ min ⁻¹ · h	i_N	P_{N2} kW																i_N	n_1	n_{N2} min ⁻¹		
		M_{N2} N m																				
		... i																				
		50	63	64	80	81	100	125	140	160	180	200	225	250	280	320	321	360				
4 500 000	2,24	-	-	-	-	-	-	101	132	164	204	340	423	627	870	1 119	1 399	1 545	2,24	800	355	
								2 750	3 630	4 330	5 450	8 930	11 470	17 460	23 890	30 240	37 800	42 150				
	2	-	-	-	-	-	-	80,5	-	146	-	300	-	640	-	1 137	1 349	-	2	710		
								2 170	-	3 820	-	8 250	-	17 220	-	29 850	35 430	-				
								1/2		1/1,95		1/2,05		1/2		1/1,95	1/1,95					
4 000 000	45	-	-	-	-	-	-	-	3 370	5 300	6 560	10 600	14 450	19 840	24 180	30 650	38 140	48 360				
									3/45,1	3/44,4	3/44,2	3/45,4	3/46,6	3/46,7	3/47,1	3/45,5	3/45,5	3/46,8				
	40	-	270	335	580	670	1 180	2 100	2 990	5 320	6 130	10 900	12 950	18 660	24 820	31 460	39 150	49 640				
			3/40,8	3/42,5	3/43,6	3/43,6	3/39,1	3/40,8	3/38,7	3/38,5	3/39,9	3/41,5	3/40,4	3/42,4	3/41,2	3/40,7	3/40,7	3/42,3				
	35,5	-	-	-	-	-	-	-	3 050	5 210	6 460	10 420	12 930	18 890	25 500	32 320	40 230	51 000				
									3/37,5	3/36,5	3/36,3	3/34,4	3/35,4	3/36,9	3/37,2	3/37,4	3/37,4	3/38,4				
	31,5	-	270	300	570	670	1 170	1 950	3 010	4 670	6 250	9 860	13 260	18 930	26 150	33 150	41 250	52 300				
			3/33,5	3/34,9	3/32,8	3/32,8	3/32,6	3/33,5	3/32,2	3/31,6	3/32,8	3/31,5	3/30,6	3/33,5	3/32,5	3/33,5	3/33,5	3/34,7				
	28	-	-	-	-	-	975	-	2 800	4 770	5 600	9 700	12 590	19 470	25 160	34 090	42 420	51 640				
							2/28,8		3/29,1	3/28,4	3/28,6	3/27,2	3/27,3	3/28,7	3/28,8	3/30	3/30	3/30,3				
	25	120	255	315	500	585	1 150	2 240	3 250	5 000	6 860	10 160	13 020	20 520	25 850	28 680	41 210	45 790				
		2/24,4	2/24,1	2/25,1	2/26	2/26	2/23,7	2/24,1	2/24,1	2/24,6	2/25,4	2/24,2	2/25	2/25	2/24,6	2/25	2/25	2/25,7				
	22,4	-	-	-	-	-	-	-	3 590	5 640	7 370	10 390	13 330	22 540	25 490	32 320	42 010	51 060				
									2/21,7	2/22,5	2/23,3	2/22,2	2/23	2/22	2/22,2	2/22,8	2/22,8	2/23,4				
	20	140	285	360	590	695	1 210	2 420	3 660	5 770	7 040	10 610	14 070	21 490	27 760	35 190	42 770	55 630				
		2/20,1	2/19,3	2/20,1	2/20,8	2/20,8	2/19,3	2/19,3	2/19,6	2/20,7	2/20,8	2/20,3	2/20	2/19,7	2/20,1	2/20,6	2/20,6	2/20,3				
18	-	-	-	-	-	-	-	3 640	5 680	7 600	10 600	14 880	22 060	29 330	37 250	46 400	58 300					
								2/17,6	2/18,1	2/18	2/17,6	2/18,1	2/17,8	2/17,9	2/17,8	2/17,8	2/18,3					
16	160	295	385	700	830	1 250	2 360	3 470	6 110	7 240	10 750	14 170	21 560	27 640	37 760	47 030	57 180					
	2/16,3	2/15,8	2/16,5	2/15,7	2/15,7	2/16,1	2/15,8	2/15,1	2/15,7	2/16,6	2/16,1	2/15,6	2/16,2	2/15,7	2/15,9	2/15,9	2/16					
14	-	-	-	-	-	-	-	3 680	5 970	7 600	10 880	13 580	22 570	26 980	38 240	46 750	59 510					
								2/14,7	2/14,1	2/14,4	2/13,9	2/14,6	2/14,6	2/14,7	2/14,3	2/14,3	2/14,4					
12,5	160	290	360	595	700	1 200	2 480	3 730	5 850	7 350	10 520	14 660	21 960	29 020	36 700	44 720	58 090					
	2/12,3	2/13,1	2/13,6	2/13,7	2/13,7	2/12,3	2/13,1	2/13,3	2/13,6	2/13,6	2/13	2/12,8	2/13,1	2/13,3	2/13,4	2/13,4	2/13,1					
11,2	-	-	-	-	-	-	-	3 710	5 750	7 690	10 940	15 310	22 250	30 250	38 390	47 860	60 530					
								2/11,9	2/11,9	2/11,8	2/11,2	2/11,5	2/11,8	2/11,9	2/11,5	2/11,5	2/11,8					
10	165	305	395	705	830	1 240	2 540	3 470	6 200	7 670	11 100	15 530	22 290	30 690	38 940	48 540	61 400					
	2/10,2	2/10,7	2/11,2	2/10,3	2/10,3	2/10,2	2/10,7	2/10,2	2/10,3	2/10,7	2/10,2	2/9,95	2/10,7	2/10,4	2/10,3	2/10,3	2/10,7					
9	-	-	-	-	-	-	-	101	175	201	373	473	721	931	-	-	-	9	2800	315		
								3 180	5 530	6 390	11 250	14 310	22 610	29 290	39 490	49 230	58 790					
								2/9,22	2/9,24	2/9,31	2/8,85	2/8,88	2/9,19▲	2/9,22▲	2/9,24	2/9,24	2/9,31					
8	5,05	9,48	11,8	22,4	26,3	40,7	80,1	-	182	-	373	-	726	-	-	-	-	8	2500			
	155	300	360	685	810	1 240	2 530	-	5 590	-	11 410	-	22 920	-	40 030	49 900	-					
	2/8,01	2/8,26	2/7,99	2/8,03	2/8,03	2/8,01	2/8,26		2/8,03		2/8,01		2/8,26▲		2/8,03	2/8,03						

For n_1 lower than 560 min⁻¹ see page 107.

▲ Possible forced lubrication with heat exchanger: consult us.

$n_{N2} \cdot L_h$ min ⁻¹ · h	i_N	P_{N2} kW																i_N	n_1 min ⁻¹	n_{N2}		
		M_{N2} N m																				
		... i																				
		50	63	64	80	81	100	125	140	160	180	200	225	250	280	320	321	360				
4 000 000	6,3	4,55 140 21/6,42	8,41 260 21/6,53	10,1 330 21/6,86	19,1 585 21/6,41	22,5 690 21/6,41	40,1 1 230 21/6,42	73,4 2 290 21/6,53	-	150 4 580 21/6,41	-	343 10 510 21/6,42	-	675 21 070 21/6,53	-	1 166 35 720 21/6,41 ▲	1 377 42 170 21/6,41 ▲	-	6,3	2000	315	
	5	-	9,38 280 1/5	-	18,4 570 1/5,2	-	38,9 1 120 1/4,82	76,3 2 280 1/5	114 3 400 1/5	175 5 150 1/4,92	218 6 590 1/5,07	336 9 890 1/4,92	418 12 650 1/5,07	528 16 000 1/5,08	838 25 010 1/5	1 076 31 610 1/4,92	1 345 39 510 1/4,92	1 443 43 680 1/5,07	5	1600		
	4,5	-	-	-	-	-	-	76,4 2 320 1/4,45	114 3 500 1/4,5	177 5 450 1/4,5	223 7 080 1/4,67	330 10 130 1/4,5	408 12 980 1/4,67	611 18 610 1/4,47	739 22 690 1/4,5	1 052 32 280 1/4,5	1 314 40 350 1/4,5	1 413 44 330 1/4,6	4,5	1400		
	4	-	10,6 325 1/4	-	21,9 695 1/4,16	-	38,7 1 160 1/3,92	77 2 350 1/4	118 3 670 1/4,08	176 5 540 1/4,13	220 6 990 1/4,15	327 10 310 1/4,13	433 13 460 1/4,07	571 17 440 1/4	815 25 390 1/4,08	1 044 32 430 1/4,07	1 305 40 540 1/4,07	1 411 43 130 1/4	4	1250		
	3,55	-	-	-	-	-	-	92,8 2 860 1/3,62	118 3 650 1/3,64	167 5 160 1/3,62	244 7 490 1/3,6	334 10 160 1/3,57	429 13 420 1/3,67	604 18 610 1/3,62	772 23 990 1/3,64	1 045 31 200 1/3,5	1 307 39 000 1/3,5	1 400 42 970 1/3,6	3,55	1120		
	3,15	-	10,7 335 1/3,28	-	23,7 710 1/3,13	-	45,8 1 430 1/3,27	92,3 2 890 1/3,28	124 3 700 1/3,13	185 5 530 1/3,13	241 7 460 1/3,25	330 10 300 1/3,27	449 13 620 1/3,18	571 17 910 1/3,28	858 26 100 1/3,19	1 034 30 950 1/3,13	1 293 38 690 1/3,13	1 379 42 800 1/3,25	3,15	1000		
	2,8	-	-	-	-	-	-	97,9 2 860 1/2,75	122 3 670 1/2,82	183 5 450 1/2,81	230 6 900 1/2,83	347 10 400 1/2,82	441 13 270 1/2,83	637 19 020 1/2,81	804 24 090 1/2,82	1 025 30 580 1/2,81	1 281 38 220 1/2,81	1 440 43 290 1/2,83	2,8	900		
	2,5	-	11,1 335 1/2,53	-	24,3 710 1/2,44	-	43,2 1 320 1/2,55	95,7 2 890 1/2,53	126 3 790 1/2,53	163 4 750 1/2,44	204 6 090 1/2,5	338 10 300 1/2,55	421 12 200 1/2,43	592 17 890 1/2,53	827 24 940 1/2,53	1 061 30 950 1/2,44	1 326 38 690 1/2,44	1 472 43 930 1/2,5	2,5	800		
	2,24	-	-	-	-	-	-	93,2 2 860 1/2,28	118 3 650 1/2,3	146 4 330 1/2,21	181 5 450 1/2,24	302 8 930 1/2,2	375 11 470 1/2,27	577 18 100 1/2,33	800 24 760 1/2,3	1 030 31 340 1/2,26	1 287 39 170 1/2,26	1 421 43 690 1/2,29	2,24	710		
	2	-	-	-	-	-	-	72,4 2 190 1/2	-	129 3 820 1/1,95	-	266 8 250 1/2,05	-	577 17 500 1/2	-	1 014 30 000 1/1,95	1 197 35 430 1/1,95	-	2	630		
3 550 000	50	-	265 31/49,4	335 31/51,5	560 31/49,8	670 31/49,8	1 150 31/51,2	2 150 31/49,5	3 450 31/50,4	5 150 31/50,8	7 300 31/51	10 300 31/52,6	14 500 31/51,8	20 600 31/51,7	23 500 31/52,7	32 050 31/52,9	40 060 31/52,9	46 990 31/52				
	45	-	-	-	-	-	-	3 480 31/45,1	5 300 31/44,4	6 790 31/44,2	10 900 31/45,4	14 950 31/46,6	20 530 31/46,7	24 820 31/47,1	31 460 31/45,5	39 150 31/45,5	49 640 31/46,8					
	40	-	280 31/40,8	335 31/42,5	595 31/43,6	670 31/43,6	1 220 31/39,1	2 170 31/40,8	3 090 31/38,7	5 500 31/38,5	6 340 31/39,9	11 200 31/41,5	13 380 31/40,4	19 280 31/42,4	25 500 31/41,2	32 320 31/40,7	40 230 31/40,7	51 000 31/42,3				
	35,5	-	-	-	-	-	-	3 130 31/37,5	5 390 31/36,5	6 630 31/36,3	10 780 31/34,4	13 260 31/35,4	19 540 31/36,9	26 150 31/37,2	33 150 31/37,4	41 250 31/37,4	52 300 31/38,4					
	31,5	-	280 31/33,5	305 31/34,9	585 31/32,8	690 31/32,8	1 210 31/32,6	2 010 31/33,5	3 090 31/32,2	4 820 31/31,6	6 430 31/32,8	10 180 31/31,5	13 640 31/30,6	19 470 31/33,5	26 890 31/32,5	34 090 31/33,5	42 420 31/33,5	53 790 31/34,7				
	28	-	-	-	-	-	1 030 21/28,8	-	2 890 31/29,1	4 930 31/28,4	5 790 31/28,6	10 010 31/27,2	12 990 31/27,3	20 100 31/28,7	25 970 31/28,8	35 190 31/30	43 800 31/30	53 320 31/30,3				
	25	120 21/24,4	265 21/24,1	325 21/25,1	500 21/26	590 21/26	1 180 21/23,7	2 300 21/24,1	3 410 21/24,1	5 150 21/24,6	7 110 21/25,4	10 530 21/24,2	13 490 21/25	21 270 21/25	26 790 21/24,6	29 460 21/25	42 720 21/25	47 340 21/25,7				
	22,4	-	-	-	-	-	-	-	3 730 21/21,7	5 600 21/22,5	7 640 21/23,3	10 760 21/22,2	13 820 21/23	22 620 21/22	26 160 21/22,2	33 180 21/22,8	43 540 21/22,8	52 410 21/23,4				

For n_1 lower than 560 min⁻¹ see page 107.

▲ Possible forced lubrication with heat exchanger: consult us.

Helical gear reducer selection tables

7

$n_{N2} \cdot L_h$ min ⁻¹ · h	i_N	P_{N2} kW																i_N	n_1 min ⁻¹	n_{N2} min ⁻¹	
		M_{N2} N m																			
		... / i																			
		50	63	64	80	81	100	125	140	160	180	200	225	250	280	320	321	360			
3 550 000	2	-	-	-	-	-	-	65,2 2 220 1/2	-	115 3 820 1/1,95	-	236 8 250 1/2,05	-	513 17 500 1/2	-	901 30 000 1/1,95	1 064 35 430 1/1,95	-	2	560	280
3 150 000	56	-	-	-	-	-	-	-	3 450 31/55,4	5 300 31/55,5	7 100 31/55,3	10 600 31/54,1	14 830 31/55,5	21 230 31/55,6	24 180 31/56	30 650 31/57,8	38 140 31/57,8	48 360 31/59,4			
	50	-	270 31/49,4	345 31/51,5	580 31/49,8	690 31/49,8	1 180 31/51,2	2 220 31/49,5	3 550 31/50,4	5 300 31/50,8	7 500 31/51	10 600 31/52,6	15 000 31/51,8	21 200 31/51,7	24 120 31/52,7	33 160 31/52,9	41 450 31/52,9	48 240 31/52			
	45	-	-	-	-	-	-	-	3 600 31/45,1	5 450 31/44,4	7 020 31/44,2	11 200 31/45,4	15 450 31/46,6	21 220 31/46,7	25 500 31/47,1	32 320 31/45,5	40 230 31/45,5	51 000 31/46,8			
	40	-	280 31/40,8	345 31/42,5	600 31/43,6	705 31/43,6	1 250 31/39,1	2 250 31/40,8	3 190 31/38,7	5 690 31/38,5	6 560 31/39,9	11 500 31/41,5	13 840 31/40,4	19 950 31/42,4	26 150 31/41,2	33 150 31/40,7	41 250 31/40,7	52 300 31/42,3			
	35,5	-	-	-	-	-	-	-	3 220 31/37,5	5 560 31/36,5	6 820 31/36,3	11 130 31/34,4	13 640 31/35,4	20 170 31/36,9	26 890 31/37,2	34 090 31/37,4	42 420 31/37,4	53 790 31/38,4			
	31,5	-	290 31/33,5	315 31/34,9	610 31/32,8	715 31/32,8	1 250 31/32,6	2 070 31/33,5	3 200 31/32,2	5 000 31/31,6	6 640 31/32,8	10 540 31/31,5	14 080 31/30,6	20 100 31/33,5	27 760 31/32,5	35 190 31/33,5	43 800 31/33,5	55 530 31/34,7			
	28	-	-	-	-	-	1 030 21/28,8	-	2 970 31/29,1	5 060 31/28,4	5 940 31/28,6	10 290 31/27,2	13 350 31/27,3	20 650 31/28,7	26 680 31/28,8	36 160 31/30	45 000 31/30	54 780 31/30,3			
	25	125 21/24,4	270 21/24,1	335 21/25,1	505 21/26	590 21/26	1 180 21/23,7	2 440 21/24,1	3 420 21/24,1	5 150 21/24,6	7 370 21/25,4	10 820 21/24,2	13 990 21/25	21 200 21/25	27 770 21/24,6	30 250 21/25	44 280 21/25	49 070 21/25,7			
	22,4	-	-	-	-	-	-	-	3 860 21/21,7	5 800 21/22,5	7 910 21/23,3	11 150 21/22,2	14 310 21/23	22 710 21/22	26 880 21/22,2	34 090 21/22,8	45 110 21/22,8	53 850 21/23,4			
	20	145 21/20,1	305 21/19,3	365 21/20,1	595 21/20,8	700 21/20,8	1 300 21/19,3	2 600 21/19,3	3 920 21/19,6	6 180 21/20,7	7 550 21/20,8	11 380 21/20,3	14 650 21/20	23 030 21/19,7	28 910 21/20,1	36 650 21/20,6	45 440 21/20,6	57 930 21/20,3			
	18	-	-	-	-	-	-	-	3 890 21/17,6	6 060 21/18,1	8 120 21/18	11 220 21/17,6	15 270 21/18,1	23 560 21/17,8	30 100 21/17,9	38 240 21/17,8	47 630 21/17,8	59 840 21/18,3			
	16	170 21/16,3	315 21/15,8	410 21/16,5	705 21/15,7	835 21/15,7	1 340 21/16,1	2 520 21/15,8	3 570 21/15,1	6 540 21/15,7	7 560 21/16,6	11 380 21/16,1	14 550 21/15,6	22 180 21/16,2	28 380 21/15,7	38 780 21/15,9	48 300 21/15,9	58 730 21/16			
	14	-	-	-	-	-	-	-	3 940 21/14,7	6 420 21/14,1	8 160 21/14,4	11 510 21/13,9	14 160 21/14,6	22 740 21/14,6	27 760 21/14,7	39 340 21/14,3	48 100 21/14,3	61 210 21/14,4			
	12,5	170 21/12,3	315 21/13,1	365 21/13,6	600 21/13,7	705 21/13,7	1 290 21/12,3	2 660 21/13,1	4 010 21/13,3	6 280 21/13,6	7 660 21/13,6	11 280 21/13	15 080 21/12,8	23 590 21/13,1	29 860 21/13,3	37 760 21/13,4	46 010 21/13,4	59 770 21/13,1			
	11,2	-	-	-	-	-	-	-	98,1 3 980 21/11,9	152 6 170 21/11,9	205 8 260 21/11,8	295 11 250 21/11,2	402 15 750 21/11,5	593 23 890 21/11,8▲	767 31 120 21/11,9▲	- 39 900 21/11,5	- 49 870 21/11,5	- 62 270 21/11,8	11,2	2800	250
10	4,47 175 21/10,2	7,91 325 21/10,7	9,68 415 21/11,2	18,1 710 21/10,3	21,2 835 21/10,3	33,9 1 320 21/10,2	66,5 2 720 21/10,7	91,6 3 570 21/10,2	169 6 640 21/10,3	201 8 220 21/10,7	292 11 410 21/10,2	420 15 970 21/9,95	559 22 920 21/10,7▲	793 31 550 21/10,4▲	- 40 030 21/10,3	- 49 900 21/10,3	- 63 120 21/10,7	10	2500		
9	-	-	-	-	-	-	-	83,9 3 300 21/9,22	144 5 680 21/9,24	165 6 560 21/9,31	306 11 560 21/8,85	388 14 700 21/8,88	593 23 220 21/9,19	765 30 080 21/9,22	- 40 560 21/9,24	- 50 560 21/9,24	- 60 380 21/9,31	9	2240		

For n_1 lower than 560 min⁻¹ see page 107.

▲ Possible forced lubrication with heat exchanger: consult us.

$n_{N2} \cdot L_h$ min ⁻¹ · h	i_N	P_{N2} kW																i_N	n_1 min ⁻¹	n_{N2}	
		M_{N2} N m																			
		i																			
50	63	64	80	81	100	125	140	160	180	200	225	250	280	320	321	360					
3 150 000	8	4,15 160 21/8,01	8,11 320 21/8,26	10,1 385 21/7,99	19,1 735 21/8,03	22,5 865 21/8,03	34,6 1 320 21/8,01	68,6 2 700 21/8,26	—	150 5 740 21/8,03	—	306 11 710 21/8,01	—	596 23 530 21/8,26	—	1 072 41 110 21/8,03▲	1 336 51 250 21/8,03▲	—	8	2000	250
	6,3	3,74 145 21/6,42	6,93 270 21/6,53	8,67 355 21/6,86	15,7 600 21/6,41	19,3 740 21/6,41	34,3 1 310 21/6,42	60,3 2 350 21/6,53	—	123 4 710 21/6,41	—	282 10 790 21/6,42	—	555 21 640 21/6,53	—	958 36 680 21/6,41	1 131 43 310 21/6,41	—	6,3	1600	
	5	—	7,33 280 1/5	—	14,5 575 1/5,2	—	32,7 1 200 1/4,82	64,2 2 450 1/5	89,4 3 420 1/5	143 5 360 1/4,92	183 7 100 1/5,07	283 10 650 1/4,92	351 13 620 1/5,07	444 17 230 1/5,08	705 26 940 1/5	905 34 040 1/4,92	1 131 42 550 1/4,92	1 214 47 040 1/5,07	5	1250	
	4,5	—	—	—	—	—	65,4 2 480 1/4,45	94,5 3 630 1/4,5	151 5 790 1/4,5	190 7 580 1/4,67	282 10 830 1/4,5	349 13 870 1/4,67	522 19 900 1/4,47	632 24 270 1/4,5	899 34 510 1/4,5	1 124 43 140 1/4,5	1 208 47 390 1/4,6	—	4,5	1120	
	4	—	8,77 335 1/4	—	17,6 700 1/4,16	—	33,1 1 240 1/3,92	65,9 2 520 1/4	101 3 930 1/4,08	150 5 930 1/4,13	188 7 480 1/4,15	279 11 020 1/4,13	370 14 390 1/4,07	488 18 650 1/4	697 27 150 1/4,08	893 34 680 1/4,07	1 116 43 350 1/4,07	1 207 46 110 1/4	4	1000	
	3,55	—	—	—	—	—	75,6 2 900 1/3,62	101 3 900 1/3,64	144 5 510 1/3,62	210 8 000 1/3,6	286 10 850 1/3,57	368 14 330 1/3,67	518 19 880 1/3,62	663 25 620 1/3,64	897 33 320 1/3,5	1 121 41 640 1/3,5	1 201 45 880 1/3,6	—	3,55	900	
	3,15	—	8,54 335 1/3,28	—	19 710 1/3,13	—	36,6 1 430 1/3,27	73,9 2 900 1/3,28	106 3 960 1/3,13	158 5 920 1/3,13	204 7 920 1/3,25	282 11 010 1/3,27	384 14 560 1/3,18	488 19 150 1/3,28	734 27 910 1/3,19	885 33 100 1/3,13	1 106 41 370 1/3,13	1 179 45 760 1/3,25	3,15	800	
	2,8	—	—	—	—	—	81,1 3 000 1/2,75	104 3 940 1/2,82	144 5 450 1/2,81	181 6 900 1/2,83	294 11 170 1/2,82	374 14 250 1/2,83	540 20 420 1/2,81	681 25 870 1/2,82	868 32 830 1/2,81	1 085 41 040 1/2,81	1 220 46 480 1/2,81	—	2,8	710	
	2,5	—	9 345 1/2,53	—	20 740 1/2,44	—	34 1 320 1/2,55	78,2 3 000 1/2,53	104 4 000 1/2,53	128 4 750 1/2,44	161 6 090 1/2,5	266 10 300 1/2,55	331 12 200 1/2,43	501 19 220 1/2,53	700 26 790 1/2,53	897 33 250 1/2,44	1 122 41 560 1/2,44	1 245 47 190 1/2,5	2,5	630	
	2,24	—	—	—	—	—	74,7 2 900 1/2,28	93,1 3 650 1/2,3	115 4 330 1/2,21	143 5 450 1/2,24	238 8 930 1/2,2	296 11 470 1/2,27	488 19 440 1/2,33	637 25 000 1/2,3	872 33 650 1/2,26	1 064 41 080 1/2,26	1 185 46 200 1/2,29	—	2,24	560	
2 800 000	63	—	265 31/60,1	325 31/62,6	560 31/66,3	650 31/66,3	1 150 31/61,5	2 300 31/60,2	3 450 31/62	5 150 31/63,5	7 300 31/63,8	10 300 31/62,6	14 500 31/61,7	20 600 31/61,5	23 940 31/62,7	34 500 31/67,1	43 120 31/67,1	46 990 31/66			
	56	—	—	—	—	—	—	3 550 31/55,4	5 300 31/55,5	7 300 31/55,3	10 900 31/54,1	15 340 31/55,5	21 960 31/55,6	24 820 31/56	31 460 31/57,8	39 150 31/57,8	49 640 31/59,4				
	50	—	280 31/49,4	355 31/51,5	580 31/49,8	710 31/49,8	1 220 31/51,2	2 300 31/49,5	3 650 31/50,4	5 450 31/50,8	7 750 31/51	10 900 31/52,6	15 500 31/51,8	21 800 31/51,7	24 780 31/52,7	34 270 31/52,9	42 840 31/52,9	49 560 31/52			
	45	—	—	—	—	—	—	3 720 31/45,1	5 600 31/44,4	7 260 31/44,2	11 500 31/45,4	15 980 31/46,6	21 950 31/46,7	26 150 31/47,1	33 150 31/45,5	41 250 31/45,5	52 300 31/46,8				
	40	—	290 31/40,8	365 31/42,5	600 31/43,6	705 31/43,6	1 280 31/39,1	2 320 31/40,8	3 300 31/38,7	5 870 31/38,5	6 770 31/39,9	11 800 31/41,5	14 290 31/40,4	20 590 31/42,4	26 890 31/41,2	34 090 31/40,7	42 420 31/40,7	53 790 31/42,3			
	35,5	—	—	—	—	—	—	3 320 31/37,5	5 760 31/36,5	7 040 31/36,3	11 530 31/34,4	14 080 31/35,4	20 890 31/36,9	27 760 31/37,2	35 190 31/37,4	43 800 31/37,4	55 530 31/38,4				
	31,5	—	290 31/33,5	325 31/34,9	630 31/32,8	740 31/32,8	1 250 31/32,6	2 130 31/33,5	3 280 31/32,2	5 180 31/31,6	6 820 31/32,8	10 930 31/31,5	14 460 31/30,6	20 650 31/33,5	28 530 31/32,5	36 160 31/33,5	45 000 31/33,5	57 050 31/34,7			
	28	—	—	—	—	—	1 060 21/28,8	—	3 040 31/29,1	5 200 31/28,4	6 100 31/28,6	10 560 31/27,2	13 700 31/27,3	21 200 31/28,7	27 390 31/28,8	37 120 31/30	46 190 31/30	56 230 31/30,3			

For n_1 lower than 560 min⁻¹ see page 107.

▲ Possible forced lubrication with heat exchanger: consult us.

$n_{N2} \cdot L_h$ min ⁻¹ · h	i_N	P_{N2} kW																i_N	n_1	n_{N2}	
		M_{N2} N m																			
		... / i																			
		50	63	64	80	81	100	125	140	160	180	200	225	250	280	320	321	360			
2 800 000	25	125 2I/24,4	280 2I/24,1	335 2I/25,1	505 2I/26	595 2I/26	1 220 2I/23,7	2 450 2I/24,1	3 440 2I/24,1	5 380 2I/24,6	7 630 2I/25,4	10 860 2I/24,2	14 490 2I/25	22 360 2I/25	28 770 2I/24,6	31 070 2I/25	45 870 2I/25	50 840 2I/25,7			
	22,4	-	-	-	-	-	-	-	3 950 2I/21,7	6 000 2I/22,5	8 190 2I/23,3	11 540 2I/22,2	14 810 2I/23	22 790 2I/22	27 250 2I/22,2	34 550 2I/22,8	46 670 2I/22,8	54 580 2I/23,4			
	20	145 2I/20,1	315 2I/19,3	365 2I/20,1	600 2I/20,8	705 2I/20,8	1 340 2I/19,3	2 680 2I/19,3	4 050 2I/19,6	6 380 2I/20,7	7 790 2I/20,8	11 740 2I/20,3	14 830 2I/20	23 770 2I/19,7	29 270 2I/20,1	37 110 2I/20,6	46 900 2I/20,6	58 660 2I/20,3			
	18	-	-	-	-	-	-	-	4 030 2I/17,6	6 280 2I/18,1	8 410 2I/18	11 630 2I/17,6	15 490 2I/18,1	24 410 2I/17,8	30 530 2I/17,9	38 780 2I/17,8	48 300 2I/17,8	60 690 2I/18,3			
	16	170 2I/16,3	325 2I/15,8	415 2I/16,5	710 2I/15,7	840 2I/15,7	1 390 2I/16,1	2 610 2I/15,8	3 680 2I/15,1	6 770 2I/15,7	7 830 2I/16,6	11 790 2I/16,1	14 930 2I/15,6	22 990 2I/16,2	28 790 2I/15,7	39 850 2I/15,9	49 810 2I/15,9	59 570 2I/16			
	14	-	-	-	-	-	-	-	3 960 2I/14,7	6 650 2I/14,1	8 450 2I/14,4	11 930 2I/13,9	14 680 2I/14,6	22 820 2I/14,6	28 160 2I/14,7	39 900 2I/14,3	48 790 2I/14,3	62 090 2I/14,4			
	12,5	4,05 170 2I/12,3	7,3 325 2I/13,1	7,9 365 2I/13,6	12,9 600 2I/13,7	15,1 705 2I/13,7	31,8 1 330 2I/12,3	61,9 2 760 2I/13,1	91,5 4 150 2I/13,3	139 6 440 2I/13,6	170 7 930 2I/13,6	264 11 680 2I/13	351 15 290 2I/12,8	548 24 440 2I/13,1▲	667 30 280 2I/13,3▲	- 38 300 2I/13,4	- 47 590 2I/13,4	- 60 620 2I/13,1	12,5	2800	224
	11,2	-	-	-	-	-	-	-	90,6 4 120 2I/11,9	141 6 380 2I/11,9	189 8 550 2I/11,8	270 11 530 2I/11,2	364 15 970 2I/11,5	548 24 720 2I/11,8▲	694 31 550 2I/11,9▲	- 41 280 2I/11,5	- 51 600 2I/11,5	- 63 120 2I/11,8	11,2	2500	
	10	4,14 180 2I/10,2	7,32 335 2I/10,7	8,71 415 2I/11,2	16,2 715 2I/10,3	19,1 840 2I/10,3	31,4 1 370 2I/10,2	61,5 2 820 2I/10,7	83,9 3 650 2I/10,2	156 6 860 2I/10,3	187 8 490 2I/10,7	267 11 640 2I/10,2	381 16 180 2I/9,95	507 23 220 2I/10,7	720 31 960 2I/10,4	- 40 860 2I/10,3	- 51 070 2I/10,3	- 63 950 2I/10,7	10	2240	
	9	-	-	-	-	-	-	-	77,5 3 410 2I/9,22	130 5 760 2I/9,24	150 6 650 2I/9,31	278 11 730 2I/8,85	352 14 900 2I/8,88	536 23 530 2I/9,19	692 30 490 2I/9,22	932 41 110 2I/9,24▲	1 161 51 250 2I/9,24▲	1 377 61 200 2I/9,31▲	9	2000	
	8	3,78 160 2I/8,01	7,53 330 2I/8,26	9,41 400 2I/7,99	17,6 750 2I/8,03	20,9 890 2I/8,03	32,1 1 360 2I/8,01	63,7 2 790 2I/8,26	- - -	136 5 810 2I/8,03	- - -	279 11 860 2I/8,01	- - -	544 23 830 2I/8,26	- - -	977 41 630 2I/8,03	1 218 51 900 2I/8,03	- - -	8	1800	
	6,3	3,33 145 2I/6,42	6,32 280 2I/6,53	7,89 370 2I/6,86	13,8 605 2I/6,41	17,3 755 2I/6,41	31,2 1 370 2I/6,42	53,6 2 390 2I/6,53	- - -	109 4 780 2I/6,41	- - -	251 10 970 2I/6,42	- - -	493 21 990 2I/6,53	- - -	852 37 270 2I/6,41	1 006 44 010 2I/6,41	- - -	6,3	1400	
	5	-	6,8 290 I/5	-	13 575 I/5,2	-	29,9 1 230 I/4,82	58,7 2 500 I/5	80,1 3 420 I/5	128 5 380 I/4,92	168 7 260 I/5,07	259 10 860 I/4,92	324 14 000 I/5,07	411 17 800 I/5,08	653 27 840 I/5	838 35 180 I/4,92	1 048 43 970 I/4,92	1 124 48 620 I/5,07	5	1120	
	4,5	-	-	-	-	-	-	59,9 2 550 I/4,45	84,4 3 630 I/4,5	135 5 810 I/4,5	176 7 840 I/4,67	261 11 200 I/4,5	322 14 350 I/4,67	483 20 580 I/4,47	584 25 100 I/4,5	831 35 710 I/4,5	1 039 44 630 I/4,5	1 116 49 030 I/4,6	4,5	1000	
	4	-	8,06 340 I/4	-	15,9 705 I/4,16	-	30,7 1 280 I/3,92	61,2 2 600 I/4	93,7 4 050 I/4,08	139 6 120 I/4,13	175 7 720 I/4,15	259 11 380 I/4,13	344 14 850 I/4,07	453 19 240 I/4	648 28 020 I/4,08	829 35 790 I/4,07	1 037 44 740 I/4,07	1 121 47 590 I/4	4	900	
	3,55	-	-	-	-	-	-	67,2 2 900 I/3,62	92,9 4 040 I/3,64	132 5 710 I/3,62	192 8 250 I/3,6	264 11 240 I/3,57	339 14 840 I/3,67	477 20 590 I/3,62	610 26 540 I/3,64	826 34 510 I/3,5	1 033 43 140 I/3,5	1 106 47 530 I/3,6	3,55	800	
3,15	-	7,81 345 I/3,28	-	17,3 730 I/3,13	-	32,5 1 430 I/3,27	67,9 3 000 I/3,28	97,6 4 100 I/3,13	146 6 130 I/3,13	181 7 920 I/3,25	260 11 410 I/3,27	353 15 090 I/3,18	449 19 850 I/3,28	675 28 930 I/3,19	814 34 300 I/3,13	1 017 42 880 I/3,13	1 085 47 430 I/3,25	3,15	710		
2,8	-	-	-	-	-	-	72 3 000 I/2,75	95,3 4 080 I/2,82	128 5 450 I/2,81	161 6 900 I/2,83	268 11 460 I/2,82	333 14 310 I/2,83	496 21 170 I/2,81	626 26 810 I/2,82	798 34 030 I/2,81	998 42 540 I/2,81	1 122 48 180 I/2,83	2,8	630		

For n_1 lower than 560 min⁻¹ see page 107.

▲ Possible forced lubrication with heat exchanger: consult us.

Helical gear reducer selection tables

$n_{N2} \cdot L_h$ min ⁻¹ · h	i_N	P_{N2} kW																i_N	n_1 min ⁻¹	n_{N2}	
		M_{N2} N m																			
		i																			
		50	63	64	80	81	100	125	140	160	180	200	225	250	280	320	321	360			
2 800 000	2,5	-	8,23 355 1/2,53	-	17,8 740 1/2,44	-	30,2 1 320 1/2,55	71,2 3 070 1/2,53	92,8 4 000 1/2,53	114 4 750 1/2,44	143 6 090 1/2,5	236 10 300 1/2,55	295 12 200 1/2,43	461 19 910 1/2,53	631 27 200 1/2,53	826 34 450 1/2,44	1 033 43 060 1/2,44	1 147 48 890 1/2,5	2,5	560	224
2 500 000	71	-	-	-	-	-	-	-	3 550 31/72,8	5 300 31/74,9	7 260 31/74,6	10 600 31/72,6	15 000 31/74,5	21 200 31/74,7	24 180 31/75,3	31 810 31/71	39 760 31/71	48 360 31/73			
	63	-	270 31/60,1	335 31/62,6	580 31/66,3	670 31/66,3	1 180 31/61,5	2 360 31/60,2	3 550 31/62	5 300 31/63,5	7 500 31/63,8	10 600 31/62,6	15 000 31/61,7	21 200 31/61,5	24 760 31/62,7	35 690 31/67,1	44 610 31/67,1	48 240 31/66			
	56	-	-	-	-	-	-	-	3 650 31/55,4	5 450 31/55,5	7 500 31/55,3	11 200 31/54,1	15 850 31/55,5	22 700 31/55,6	25 500 31/56	32 320 31/57,8	40 230 31/57,8	51 000 31/59,4			
	50	-	280 31/49,4	355 31/51,5	600 31/49,8	710 31/49,8	1 250 31/51,2	2 380 31/49,5	3 750 31/50,4	5 600 31/50,8	7 750 31/51	11 200 31/52,6	15 500 31/51,8	22 400 31/51,7	25 410 31/52,7	35 450 31/52,9	44 320 31/52,9	50 820 31/52			
	45	-	-	-	-	-	-	-	3 840 31/45,1	5 800 31/44,4	7 500 31/44,2	11 800 31/45,4	16 490 31/46,6	22 660 31/46,7	26 890 31/47,1	34 090 31/45,5	42 420 31/45,5	53 790 31/46,8			
	40	-	300 31/40,8	370 31/42,5	600 31/43,6	710 31/43,6	1 320 31/39,1	2 410 31/40,8	3 410 31/38,7	6 080 31/38,5	7 010 31/39,9	12 200 31/41,5	14 800 31/40,4	21 330 31/42,4	27 760 31/41,2	35 190 31/40,7	43 800 31/40,7	55 530 31/42,3			
	35,5	-	-	-	-	-	-	-	3 440 31/37,5	5 970 31/36,5	7 230 31/36,3	11 950 31/34,4	14 460 31/35,4	21 660 31/36,9	28 530 31/37,2	36 160 31/37,4	45 000 31/37,4	57 050 31/38,4			
	31,5	-	300 31/33,5	335 31/34,9	655 31/32,8	770 31/32,8	1 280 31/32,6	2 190 31/33,5	3 370 31/32,2	5 370 31/31,6	7 000 31/32,8	11 330 31/31,5	14 850 31/30,6	21 200 31/33,5	29 280 31/32,5	37 120 31/33,5	46 190 31/33,5	58 560 31/34,7			
	28	-	-	-	-	-	1 090 21/28,8	-	3 130 31/29,1	5 340 31/28,4	6 270 31/28,6	10 850 31/27,2	14 080 31/27,3	21 780 31/28,7	28 140 31/28,8	38 140 31/30	47 460 31/30	57 770 31/30,3			
	25	125 21/24,4	285 21/24,1	335 21/25,1	505 21/26	595 21/26	1 250 21/23,7	2 460 21/24,1	3 450 21/24,1	5 400 21/24,6	7 840 21/25,4	10 900 21/24,2	14 990 21/25	22 440 21/25	29 760 21/24,6	31 500 21/25	46 250 21/25	52 590 21/25,7			
	22,4	-	-	-	-	-	-	-	3 960 21/21,7	6 000 21/22,5	8 450 21/23,3	11 750 21/22,2	15 280 21/23	22 860 21/22	27 590 21/22,2	34 990 21/22,8	47 590 21/22,8	55 280 21/23,4			
	20	145 21/20,1	330 21/19,3	365 21/20,1	600 21/20,8	705 21/20,8	1 390 21/19,3	2 780 21/19,3	4 190 21/19,6	6 450 21/20,7	8 070 21/20,8	12 160 21/20,3	15 280 21/20	24 630 21/19,7	29 690 21/20,1	37 630 21/20,6	48 590 21/20,6	59 500 21/20,3			
	18	-	-	-	-	-	-	-	4 170 21/17,6	6 510 21/18,1	8 500 21/18	12 050 21/17,6	15 710 21/18,1	25 300 21/17,8	30 970 21/17,9	39 340 21/17,8	49 000 21/17,8	61 560 21/18,3			
	16	170 21/16,3	340 21/15,8	415 21/16,5	710 21/15,7	840 21/15,7	1 440 21/16,1	2 710 21/15,8	3 810 21/15,1	6 900 21/15,7	8 120 21/16,6	12 220 21/16,1	15 470 21/15,6	23 830 21/16,2	29 210 21/15,7	41 310 21/15,9	51 630 21/15,9	60 430 21/16			
14	-	-	-	-	-	-	-	79,2 3 970 21/14,7	144 6 890 21/14,1	178 8 760 21/14,4	261 12 360 21/13,9	305 15 210 21/14,6	460 22 910 21/14,6▲	570 28 560 21/14,7▲	-	-	-	-	14	2800	200
12,5	3,63 170 21/12,3	6,75 335 21/13,1	7,07 370 21/13,6	11,7 610 21/13,7	13,5 710 21/13,7	29,4 1 380 21/12,3	57,2 2 850 21/13,1	84,5 4 300 21/13,3	124 6 460 21/13,6	157 8 210 21/13,6	244 12 090 21/13	318 15 500 21/12,8	507 25 290 21/13,1▲	603 30 690 21/13,3▲	-	-	-	-	12,5	2500	
11,2	-	-	-	-	-	-	-	83,9 4 260 21/11,9	130 6 600 21/11,9	175 8 830 21/11,8	250 11 920 21/11,2	330 16 180 21/11,5	507 25 550 21/11,8	630 31 960 21/11,9	-	-	-	-	11,2	2240	

For n_1 lower than 560 min⁻¹ see page 107.

▲ Possible forced lubrication with heat exchanger: consult us.

$n_{N2} \cdot L_h$ min ⁻¹ · h	i_N	P_{N2} kW																i_N	n_1	n_{N2} min ⁻¹		
		M_{N2} N m																				
		... / i																				
		50	63	64	80	81	100	125	140	160	180	200	225	250	280	320	321	360				
2 500 000	10	3,83 185 21/10,2	6,76 345 21/10,7	7,8 415 21/11,2	14,6 715 21/10,3	17,1 840 21/10,3	29 1 420 21/10,2	56,8 2 910 21/10,7	77,5 3 780 21/10,2	144 7 100 21/10,3	172 8 790 21/10,7	246 12 050 21/10,2	345 16 400 21/9,95	469 24 020 21/10,7	652 32 400 21/10,4	860 42 270 21/10,3▲	1 075 52 840 21/10,3▲	1 271 64 820 21/10,7▲	10	2000	200	
	9	-	-	-	-	-	-	72 3 520 21/9,22	119 5 830 21/9,24	136 6 740 21/9,31	258 12 110 21/8,85	320 15 090 21/8,88	489 23 830 21/9,19	631 30 880 21/9,22	849 41 630 21/9,24	1 059 51 900 21/9,24	1 255 61 980 21/9,31	9	1800			
	8	3,42 165 21/8,01	6,93 340 21/8,26	8,67 415 21/7,99	15,7 755 21/8,03	19,3 925 21/8,03	29,6 1 410 21/8,01	58,6 2 890 21/8,26	-	123 5 890 21/8,03	-	252 12 030 21/8,01	-	490 24 170 21/8,26	-	881 42 220 21/8,03	1 098 52 630 21/8,03	-	8	1600		
	6,3	2,98 145 21/6,42	5,83 290 21/6,53	7,29 380 21/6,86	12,4 605 21/6,41	15,5 760 21/6,41	28,8 1 410 21/6,42	48,2 2 400 21/6,53	-	98,2 4 820 21/6,41	-	225 11 030 21/6,42	-	443 22 120 21/6,53	-	768 37 630 21/6,41	904 44 290 21/6,41	-	6,3	1250		
	5	-	6,07 290 1/5	-	11,6 580 1/5,2	-	26,8 1 230 1/4,82	52,6 2 510 1/5	71,5 3 420 1/5	115 5 400 1/4,92	150 7 260 1/5,07	232 10 900 1/4,92	289 14 000 1/5,07	380 18 420 1/5,08	586 28 000 1/5	774 36 390 1/4,92	968 45 490 1/4,92	1 039 50 300 1/5,07	5	1000		
	4,5	-	-	-	-	-	54,1 2 560 1/4,45	76 3 630 1/4,5	122 5 830 1/4,5	159 7 880 1/4,67	242 11 560 1/4,5	299 14 820 1/4,67	448 21 240 1/4,47	543 25 910 1/4,5	772 36 850 1/4,5	965 46 070 1/4,5	1 037 50 610 1/4,6	4,5	900			
	4	-	7,17 340 1/4	-	14,2 705 1/4,16	-	28,3 1 320 1/3,92	56,3 2 690 1/4	84 4 090 1/4,08	125 6 180 1/4,13	161 8 000 1/4,15	239 11 790 1/4,13	317 15 390 1/4,07	418 19 940 1/4	596 29 030 1/4,08	764 37 080 1/4,07	955 46 350 1/4,07	1 033 49 310 1/4	4	800		
	3,55	-	-	-	-	-	61,7 3 000 1/3,62	85,5 4 190 1/3,64	122 5 920 1/3,62	170 8 250 1/3,6	242 11 650 1/3,57	312 15 380 1/3,67	439 21 340 1/3,62	561 27 510 1/3,64	760 35 770 1/3,5	950 44 710 1/3,5	1 017 49 260 1/3,6	3,55	710			
	3,15	-	6,93 345 1/3,28	-	15,4 730 1/3,13	-	28,8 1 430 1/3,27	60,2 3 000 1/3,28	89,8 4 250 1/3,13	129 6 140 1/3,13	161 7 920 1/3,25	239 11 830 1/3,27	325 15 650 1/3,18	413 20 580 1/3,28	621 29 990 1/3,19	749 35 550 1/3,13	936 44 440 1/3,13	998 49 160 1/3,25	3,15	630		
	2,8	-	-	-	-	-	65,5 3 070 1/2,75	87,8 4 230 1/2,82	114 5 450 1/2,81	143 6 900 1/2,83	238 11 460 1/2,82	296 14 310 1/2,83	457 21 930 1/2,81	577 27 780 1/2,82	735 35 260 1/2,81	919 44 070 1/2,81	1 033 49 910 1/2,83	2,8	560			
2 240 000	80	-	225 31/75,2	280 31/78,2	485 31/82,7	560 31/82,7	1000 31/75,5	2 000 31/75,3	3 450 31/81,4	5 150 31/85,7	7 300 31/86,1	10 300 31/84	14 500 31/82,7	20 600 31/82,7	26 420 31/84,3	36 960 31/82,5	43 700 31/82,5	46 990 31/81,1				
	71	-	-	-	-	-	-	3 650 31/72,8	5 300 31/74,9	7 510 31/74,6	10 900 31/72,6	15 500 31/74,5	21 800 31/74,7	24 820 31/75,3	32 910 31/71	41 140 31/71	49 640 31/73					
	63	-	280 31/60,1	335 31/62,6	580 31/66,3	670 31/66,3	1 220 31/61,5	2 430 31/60,2	3 650 31/62	5 450 31/63,5	7 750 31/63,8	10 900 31/62,6	15 500 31/61,7	21 800 31/61,5	25 590 31/62,7	36 890 31/67,1	46 110 31/67,1	49 560 31/66				
	56	-	-	-	-	-	-	3 750 31/55,4	5 600 31/55,5	7 750 31/55,3	11 500 31/54,1	16 400 31/55,5	23 480 31/55,6	26 150 31/56	33 150 31/57,8	41 250 31/57,8	52 300 31/59,4					
	50	-	290 31/49,4	365 31/51,5	615 31/49,8	730 31/49,8	1 280 31/51,2	2 450 31/49,5	3 750 31/50,4	5 600 31/50,8	8 000 31/51	11 500 31/52,6	16 000 31/51,8	23 000 31/51,7	26 140 31/52,7	36 590 31/52,9	45 740 31/52,9	52 270 31/52				
	45	-	-	-	-	-	-	3 980 31/45,1	6 000 31/44,4	7 760 31/44,2	12 200 31/45,4	17 090 31/46,6	23 470 31/46,7	27 760 31/47,1	35 190 31/45,5	43 800 31/45,5	55 530 31/46,8					
	40	-	305 31/40,8	370 31/42,5	605 31/43,6	710 31/43,6	1 360 31/39,1	2 490 31/40,8	3 540 31/38,7	6 300 31/38,5	7 270 31/39,9	12 500 31/41,5	15 340 31/40,4	22 110 31/42,4	28 530 31/41,2	36 160 31/40,7	45 000 31/40,7	57 050 31/42,3				
	35,5	-	-	-	-	-	-	3 560 31/37,5	6 190 31/36,5	7 420 31/36,3	12 380 31/34,4	14 850 31/35,4	22 450 31/36,9	29 280 31/37,2	37 120 31/37,4	46 190 31/37,4	58 560 31/38,4					

For n_1 lower than 560 min⁻¹ see page 107.

▲ Possible forced lubrication with heat exchanger: consult us.

$n_{N2} \cdot L_h$ min ⁻¹ · h	i_N	P_{N2} kW																i_N	n_1	n_{N2} min ⁻¹	
		M_{N2} N m																			
		... / i																			
		50	63	64	80	81	100	125	140	160	180	200	225	250	280	320	321	360			
2 240 000	31,5	-	305 3/33,5	345 3/34,9	675 3/32,8	775 3/32,8	1 320 3/32,6	2 250 3/33,5	3 460 3/32,2	5 560 3/31,6	7 190 3/32,8	11 730 3/31,5	15 250 3/30,6	21 780 3/33,5	30 080 3/32,5	38 140 3/33,5	47 460 3/33,5	60 170 3/34,7			
	28	-	-	-	-	-	1 120 2/28,8	-	3 170 3/29,1	5 410 3/28,4	6 350 3/28,6	11 000 3/27,2	14 270 3/27,3	22 080 3/28,7	28 520 3/28,8	38 660 3/30	48 100 3/30	58 560 3/30,3			
	25	125 2/24,4	285 2/24,1	335 2/25,1	510 2/26	600 2/26	1 300 2/23,7	2 470 2/24,1	3 460 2/24,1	5 420 2/24,6	7 870 2/25,4	10 930 2/24,2	15 470 2/25	22 520 2/25	30 260 2/24,6	31 900 2/25	46 410 2/25	54 280 2/25,7			
	22,4	-	-	-	-	-	-	-	3 970 2/21,7	6 180 2/22,5	8 730 2/23,3	11 790 2/22,2	15 830 2/23	22 950 2/22	27 980 2/22,2	35 480 2/22,8	47 770 2/22,8	56 060 2/23,4			
	20	145 2/20,1	340 2/19,3	370 2/20,1	605 2/20,8	710 2/20,8	1 440 2/19,3	2 880 2/19,3	4 310 2/19,6	6 470 2/20,7	8 360 2/20,8	12 610 2/20,3	15 840 2/20	25 530 2/19,7	30 110 2/20,1	38 170 2/20,6	50 360 2/20,6	60 420 2/20,3			
	18	-	-	-	-	-	-	-	4 330 2/17,6	6 750 2/18,1	8 500 2/18	12 490 2/17,6	15 930 2/18,1	26 220 2/17,8	31 410 2/17,9	39 900 2/17,8	49 700 2/17,8	62 450 2/18,3			
	16	3,07 170 2/16,3	6,5 350 2/15,8	7,42 420 2/16,5	13,4 715 2/15,7	15,8 845 2/15,7	27,1 1 490 2/16,1	51,9 2 800 2/15,8	76,8 3 950 2/15,1	129 6 900 2/15,7	148 8 410 2/16,6	231 12 660 2/16,1	301 16 030 2/15,6	447 24 690 2/16,2	553 29 620 2/15,7	-	-	-	16	2800	180
	14	-	-	-	-	-	-	-	71 3 980 2/14,7	128 6 900 2/14,1	165 9 060 2/14,4	241 12 780 2/13,9	282 15 730 2/14,6	412 22 990 2/14,6▲	515 28 950 2/14,7▲	-	-	-	14	2500	
	12,5	3,26 170 2/12,3	6,25 350 2/13,1	6,36 370 2/13,6	10,6 620 2/13,7	12,2 715 2/13,7	27,2 1 430 2/12,3	52,9 2 950 2/13,1	76 4 320 2/13,3	112 6 480 2/13,6	146 8 480 2/13,6	226 12 490 2/13	289 15 710 2/12,8	463 25 800 2/13,1	548 31 100 2/13,3	-	-	-	12,5	2240	
	11,2	-	-	-	-	-	-	-	77,5 4 400 2/11,9	120 6 820 2/11,9	162 9 140 2/11,8	231 12 330 2/11,2	299 16 400 2/11,5	468 26 390 2/11,8	570 32 400 2/11,9	764 41 950 2/11,5▲	955 52 440 2/11,5▲	1 148 64 820 2/11,8▲	11,2	2000	
	10	3,54 190 2/10,2	6,28 360 2/10,7	7,04 420 2/11,2	13,1 720 2/10,3	15,5 845 2/10,3	26,9 1 460 2/10,2	52,8 3 010 2/10,7	72 3 900 2/10,2	132 7 190 2/10,3	160 9 070 2/10,7	229 12 430 2/10,2	315 16 610 2/9,95	435 24 790 2/10,7	594 32 810 2/10,4	799 43 630 2/10,3	998 54 530 2/10,3	1 159 65 640 2/10,7	10	1800	
	9	-	-	-	-	-	-	-	66,3 3 650 2/9,22	107 5 910 2/9,24	123 6 830 2/9,31	238 12 540 2/8,85	289 15 320 2/8,88	441 24 170 2/9,19	569 31 320 2/9,22	769 42 420 2/9,24	961 53 020 2/9,24	1 131 62 850 2/9,31	9	1600	
	8	3,12 170 2/8,01	6,32 355 2/8,26	7,89 430 2/7,99	13,8 755 2/8,03	17 935 2/8,03	26,9 1 470 2/8,01	53,4 3 010 2/8,26	-	109 5 990 2/8,03	-	228 12 480 2/8,01	-	436 24 560 2/8,26	-	783 42 900 2/8,03	976 53 480 2/8,03	-	8	1400	
	6,3	2,68 145 2/6,42	5,4 300 2/6,53	6,75 395 2/6,86	11,1 610 2/6,41	13,9 760 2/6,41	26,7 1 460 2/6,42	43,4 2 420 2/6,53	-	88,6 4 850 2/6,41	-	203 11 100 2/6,42	-	399 22 250 2/6,53	-	694 37 980 2/6,41	815 44 570 2/6,41	-	6,3	1120	
	5	-	5,47 290 I/5	-	10,5 580 I/5,2	-	24,2 1 240 I/4,82	47,5 2 520 I/5	64,4 3 420 I/5	104 5 420 I/4,92	135 7 260 I/5,07	209 10 940 I/4,92	260 14 000 I/5,07	353 19 010 I/5,08	528 28 000 I/5	710 37 110 I/4,92	888 46 390 I/4,92	965 51 920 I/5,07	5	900	
	4,5	-	-	-	-	-	-	48,3 2 570 I/4,45	67,5 3 630 I/4,5	109 5 860 I/4,5	141 7 880 I/4,67	220 11 800 I/4,5	275 15 330 I/4,67	413 22 010 I/4,47	500 26 840 I/4,5	711 38 180 I/4,5	888 47 720 I/4,5	955 52 430 I/4,6	4,5	800	
4	-	6,36 340 I/4	-	12,7 710 I/4,16	-	26 1 370 I/3,92	51,8 2 790 I/4	74,8 4 100 I/4,08	112 6 200 I/4,13	148 8 290 I/4,15	220 12 220 I/4,13	291 15 950 I/4,07	384 20 660 I/4	549 30 080 I/4,08	703 38 430 I/4,07	878 48 040 I/4,07	950 51 100 I/4	4	710		
3,55	-	-	-	-	-	-	55,6 3 050 I/3,62	78,4 4 330 I/3,64	112 6 130 I/3,62	151 8 250 I/3,6	223 12 070 I/3,57	287 15 950 I/3,67	404 22 120 I/3,62	516 28 510 I/3,64	699 37 080 I/3,5	874 46 350 I/3,5	936 51 060 I/3,6	3,55	630		

For n_1 lower than 560 min⁻¹ see page 107.

▲ Possible forced lubrication with heat exchanger: consult us.

$n_{N2} \cdot L_h$ min ⁻¹ · h	i_N	P_{N2} kW																i_N	n_1 min ⁻¹	n_{N2}	
		M_{N2} N m																			
		... / i																			
		50	63	64	80	81	100	125	140	160	180	200	225	250	280	320	321	360			
2 240 000	3,15	-	6,34 355 1/3,28	-	14 750 1/3,13	-	25,6 1 430 1/3,27	54,8 3 070 1/3,28	82,7 4 410 1/3,13	115 6 140 1/3,13	143 7 920 1/3,25	220 12 250 1/3,27	295 16 000 1/3,18	380 21 320 1/3,28	571 31 060 1/3,19	689 36 830 1/3,13	862 46 040 1/3,13	919 50 930 1/3,25	3,15	560	180
2 000 000	90	-	-	-	-	-	-	-	3 550 31/89,4	5 300 31/93,7	6 900 31/93,3	10 600 31/86,4	15 000 31/88,8	21 200 31/89	25 180 31/89,7	34 180 31/90,1	42 730 31/90,1	48 360 31/92,7			
	80	-	230 31/75,2	290 31/78,2	500 31/82,7	580 31/82,7	1 030 31/75,5	2 060 31/75,3	3 550 31/81,4	5 300 31/85,7	7 500 31/86,1	10 600 31/84	15 000 31/82,7	21 200 31/82,7	27 330 31/84,3	37 500 31/82,5	45 000 31/82,5	48 240 31/81,1			
	71	-	-	-	-	-	-	-	3 750 31/72,8	5 450 31/74,9	7 760 31/74,6	11 200 31/72,6	16 000 31/74,5	22 400 31/74,7	25 500 31/75,3	34 010 31/71	42 520 31/71	51 000 31/73			
	63	-	280 31/60,1	345 31/62,6	605 31/66,3	710 31/66,3	1 250 31/61,5	2 500 31/60,2	3 750 31/62	5 600 31/63,5	7 750 31/63,8	11 200 31/62,6	15 500 31/61,7	22 400 31/61,5	26 480 31/62,7	38 160 31/67,1	47 700 31/67,1	50 820 31/66			
	56	-	-	-	-	-	-	-	3 870 31/55,4	5 800 31/55,5	8 000 31/55,3	11 800 31/54,1	16 930 31/55,5	24 240 31/55,6	26 890 31/56	34 090 31/57,8	42 420 31/57,8	53 790 31/59,4			
	50	-	300 31/49,4	385 31/51,5	630 31/49,8	775 31/49,8	1 320 31/51,2	2 540 31/49,5	3 870 31/50,4	5 800 31/50,8	8 250 31/51	11 800 31/52,6	16 500 31/51,8	23 600 31/51,7	26 980 31/52,7	37 910 31/52,9	47 390 31/52,9	53 960 31/52			
	45	-	-	-	-	-	-	-	4 130 31/45,1	6 150 31/44,4	8 050 31/44,2	12 500 31/45,4	17 710 31/46,6	24 330 31/46,7	28 530 31/47,1	36 160 31/45,5	45 000 31/45,5	57 050 31/46,8			
	40	-	315 31/40,8	370 31/42,5	605 31/43,6	715 31/43,6	1 400 31/39,1	2 580 31/40,8	3 670 31/38,7	6 300 31/38,5	7 530 31/39,9	12 800 31/41,5	15 900 31/40,4	22 920 31/42,4	29 280 31/41,2	37 120 31/40,7	46 190 31/40,7	58 560 31/42,3			
	35,5	-	-	-	-	-	-	-	3 690 31/37,5	6 420 31/36,5	7 630 31/36,3	12 830 31/34,4	15 250 31/35,4	23 250 31/36,9	30 080 31/37,2	38 140 31/37,4	47 460 31/37,4	60 170 31/38,4			
	31,5	-	315 31/33,5	355 31/34,9	700 31/32,8	775 31/32,8	1 360 31/32,6	2 280 31/33,5	3 510 31/32,2	5 750 31/31,6	7 290 31/32,8	12 140 31/31,5	15 460 31/30,6	22 080 31/33,5	30 490 31/32,5	38 660 31/33,5	48 100 31/33,5	60 990 31/34,7			
	28	-	-	-	-	-	1 120 21/28,8	-	3 210 31/29,1	5 480 31/28,4	6 430 31/28,6	11 130 31/27,2	14 450 31/27,3	22 360 31/28,7	28 880 31/28,8	39 140 31/30	48 710 31/30	59 300 31/30,3			
	25	125 21/24,4	290 21/24,1	340 21/25,1	510 21/26	600 21/26	1 300 21/23,7	2 480 21/24,1	3 470 21/24,1	5 440 21/24,6	7 900 21/25,4	10 980 21/24,2	15 820 21/25	22 600 21/25	30 370 21/24,6	32 350 21/25	46 580 21/25	56 240 21/25,7			
	22,4	-	-	-	-	-	-	-	3 990 21/21,7	6 200 21/22,5	8 760 21/23,3	11 840 21/22,2	16 410 21/23	23 030 21/22	28 720 21/22,2	35 990 21/22,8	47 950 21/22,8	56 960 21/23,4			
	20	145 21/20,1	350 21/19,3	370 21/20,1	605 21/20,8	710 21/20,8	1 490 21/19,3	2 970 21/19,3	4 320 21/19,6	6 500 21/20,7	8 670 21/20,8	12 890 21/20,3	16 420 21/20	25 850 21/19,7	30 980 21/20,1	38 720 21/20,6	52 200 21/20,6	62 630 21/20,3			
18	-	-	-	-	-	-	-	74,9 4 480 21/17,6	113 6 990 21/18,1	143 8 750 21/18	216 12 940 21/17,6	266 16 390 21/18,1	436 26 450 21/17,8	521 31 860 21/17,9	- 40 470 21/17,8	- 50 470 21/17,8	- 63 330 21/18,3	18	2800	160	
16	2,75 170 21/16,3	6,01 365 21/15,8	6,65 420 21/16,5	12 715 21/15,7	14,1 845 21/15,7	25,1 1 540 21/16,1	48 2 900 21/15,8	71 4 080 21/15,1	119 7 100 21/15,7	137 8 700 21/16,6	213 13 100 21/16,1	278 16 580 21/15,6	413 25 540 21/16,2	501 30 020 21/15,7	- 44 270 21/15,9	- 55 340 21/15,9	- 62 520 21/16	16	2500		
14	-	-	-	-	-	-	-	63,8 4 000 21/14,7	115 6 900 21/14,1	153 9 360 21/14,4	223 13 210 21/13,9	261 16 260 21/14,6	371 23 070 21/14,6	469 29 400 21/14,7	- 41 560 21/14,3	- 51 340 21/14,3	- 64 670 21/14,4	14	2240		

For n_1 lower than 560 min⁻¹ see page 107.

$n_{N2} \cdot L_h$ min ⁻¹ · h	i_N	P_{N2} kW																i_N	n_1 min ⁻¹	n_{N2}		
		M_{N2} N m																				
		... i																				
		50	63	64	80	81	100	125	140	160	180	200	225	250	280	320	321	360				
2 000 000	12,5	2,92 170 21/12,3	5,7 355 21/13,1	5,7 370 21/13,6	9,58 625 21/13,7	11,1 725 21/13,7	25,1 1 480 21/12,3	47,6 2 970 21/13,1	68,1 4 330 21/13,3	100 6 500 21/13,6	134 8 760 21/13,6	208 12 890 21/13	266 16 200 21/12,8	415 25 890 21/13,1	498 31 700 21/13,3	625 39 870 21/13,4▲	825 52 650 21/13,4▲	1 006 63 100 21/13,1▲	12,5	2000	160	
	11,2	-	-	-	-	-	-	-	71,7 4 530 21/11,9	112 7 040 21/11,9	150 9 430 21/11,8	214 12 720 21/11,2	272 16 610 21/11,5	423 26 480 21/11,8	520 32 810 21/11,9	690 42 090 21/11,5	862 52 610 21/11,5	1 046 65 640 21/11,8	11,2	1800		
	10	3,16 195 21/10,2	5,79 370 21/10,7	6,29 420 21/11,2	11,7 720 21/10,3	13,8 850 21/10,3	24,8 1 510 21/10,2	48,6 3 120 21/10,7	66,3 4 040 21/10,2	118 7 220 21/10,3	147 9 400 21/10,7	211 12 880 21/10,2	284 16 840 21/9,95	401 25 690 21/10,7	535 33 270 21/10,3	736 45 200 21/10,3	919 56 500 21/10,3	1 044 66 570 21/10,7	10	1600		
	9	-	-	-	-	-	-	-	60,4 3 800 21/9,22	95,3 6 010 21/9,24	109 6 940 21/9,31	216 13 060 21/8,85	263 15 950 21/8,88	392 24 560 21/9,19	506 31 820 21/9,22	700 44 150 21/9,24	876 55 190 21/9,24	1 006 63 860 21/9,31	9	1400		
	8	2,88 175 21/8,01	5,83 370 21/8,26	7,29 445 21/7,99	12,4 760 21/8,03	15,3 935 21/8,03	24,9 1 520 21/8,01	49,3 3 110 21/8,26	-	98,2 6 030 21/8,03	-	211 12 910 21/8,01	-	391 24 710 21/8,26	-	704 43 180 21/8,03	877 53 810 21/8,03	-	8	1250		
	6,3	2,4 145 21/6,42	4,99 310 21/6,53	6,24 410 21/6,86	9,97 610 21/6,41	12,5 765 21/6,41	24,7 1 510 21/6,42	39 2 430 21/6,53	-	79,6 4 880 21/6,41	-	182 11 160 21/6,42	-	359 22 380 21/6,53	-	626 38 340 21/6,41	732 44 850 21/6,41	-	6,3	1000		
	5	-	5,05 300 1/5	-	9,39 585 1/5,2	-	21,6 1 240 1/4,82	42,4 2 530 1/5	57,2 3 420 1/5	92,6 5 440 1/4,92	120 7 260 1/5,07	187 10 980 1/4,92	231 14 000 1/5,07	325 19 690 1/5,08	469 28 000 1/5	634 37 250 1/4,92	792 46 560 1/4,92	888 53 780 1/5,07	5	800		
	4,5	-	-	-	-	-	-	42,9 2 570 1/4,45	59,9 3 630 1/4,5	97,1 5 880 1/4,5	126 7 880 1/4,67	195 11 800 1/4,5	244 15 330 1/4,67	378 22 730 1/4,47	460 27 820 1/4,5	633 38 340 1/4,5	792 47 920 1/4,5	878 54 340 1/4,6	4,5	710		
	4	-	5,64 340 1/4	-	11,2 710 1/4,16	-	23,5 1 400 1/3,92	46,2 2 800 1/4	66,6 4 120 1/4,08	99,4 6 230 1/4,13	136 8 590 1/4,15	200 12 500 1/4,13	268 16 530 1/4,07	353 21 420 1/4	505 31 180 1/4,08	646 39 830 1/4,07	808 49 790 1/4,07	874 52 970 1/4	4	630		
	3,55	-	-	-	-	-	-	49,6 3 060 1/3,62	69,9 4 340 1/3,64	103 6 350 1/3,62	134 8 250 1/3,6	205 12 510 1/3,57	264 16 500 1/3,67	372 22 920 1/3,62	476 29 540 1/3,64	644 38 410 1/3,5	804 48 010 1/3,5	862 52 900 1/3,6	3,55	560		
1 800 000	100	-	-	-	-	1 150 31/103	2 300 31/101	3 450 31/100	5 150 31/107	7 300 31/108	10 300 31/100	14 500 31/98,5	20 600 31/98,5	28 180 31/100	36 500 31/105	43 700 31/105	48 830 31/103					
	90	-	-	-	-	-	-	3 650 31/89,4	5 300 31/93,7	7 100 31/93,3	10 900 31/86,4	15 500 31/88,8	21 800 31/89	26 050 31/89,7	35 360 31/90,1	44 200 31/90,1	49 640 31/92,7					
	80	-	235 31/75,2	290 31/78,2	510 31/82,7	580 31/82,7	1 060 31/75,5	2 120 31/75,3	3 650 31/81,4	5 450 31/85,7	7 750 31/86,1	10 900 31/84	15 500 31/82,7	21 800 31/82,7	28 250 31/84,3	38 700 31/82,5	46 200 31/82,5	49 560 31/81,1				
	71	-	-	-	-	-	-	3 870 31/72,8	5 600 31/74,9	8 030 31/74,6	11 500 31/72,6	16 000 31/74,5	23 000 31/74,7	26 150 31/75,3	35 190 31/71	43 990 31/71	52 300 31/73					
	63	-	290 31/60,1	355 31/62,6	610 31/66,3	715 31/66,3	1 280 31/61,5	2 570 31/60,2	3 750 31/62	5 600 31/63,5	8 000 31/63,8	11 500 31/62,6	16 000 31/61,7	23 000 31/61,5	27 330 31/62,7	39 390 31/67,1	49 230 31/67,1	52 270 31/66				
	56	-	-	-	-	-	-	4 000 31/55,4	6 000 31/55,5	8 320 31/55,3	12 200 31/54,1	17 540 31/55,5	25 110 31/55,6	27 760 31/56	35 190 31/57,8	43 900 31/57,8	55 530 31/59,4					
	50	-	305 31/49,4	385 31/51,5	650 31/49,8	775 31/49,8	1 360 31/51,2	2 640 31/49,5	4 000 31/50,4	6 000 31/50,8	8 780 31/51	12 200 31/52,6	17 000 31/51,8	24 300 31/51,7	27 720 31/52,7	39 290 31/52,9	49 110 31/52,9	55 440 31/52				
	45	-	-	-	-	-	-	4 280 31/45,1	6 300 31/44,4	8 340 31/44,2	12 800 31/45,4	18 360 31/46,6	25 220 31/46,7	29 280 31/47,1	37 120 31/45,5	46 190 31/45,5	58 560 31/46,8					

For n_1 lower than 560 min⁻¹ see page 107.

▲ Possible forced lubrication with heat exchanger: consult us.

$n_{N2} \cdot L_h$ min ⁻¹ · h	i_N	P_{N2} kW																i_N	n_1	n_{N2} min ⁻¹	
		M_{N2} N m																			
		... / i																			
50	63	64	80	81	100	125	140	160	180	200	225	250	280	320	321	360					
1 800 000	40	-	325 3I/40,8	370 3I/42,5	610 3I/43,6	715 3I/43,6	1 450 3I/39,1	2 680 3I/40,8	3 800 3I/38,7	6 500 3I/38,5	7 800 3I/39,9	13 200 3I/41,5	16 480 3I/40,4	23 740 3I/42,4	30 080 3I/41,2	38 140 3I/40,7	47 460 3I/40,7	60 170 3I/42,3			
	35,5	-	-	-	-	-	-	-	3 820 3I/37,5	6 640 3I/36,5	7 730 3I/36,3	13 270 3I/34,4	15 460 3I/35,4	24 060 3I/36,9	30 490 3I/37,2	38 660 3I/37,4	48 100 3I/37,4	60 990 3I/38,4			
	31,5	-	315 3I/33,5	355 3I/34,9	720 3I/32,8	800 3I/32,8	1 360 3I/32,6	2 350 3I/33,5	3 550 3I/32,2	5 940 3I/31,6	7 380 3I/32,8	12 530 3I/31,5	15 660 3I/30,6	22 570 3I/33,5	30 880 3I/32,5	39 140 3I/33,5	48 710 3I/33,5	61 760 3I/34,7			
	28	-	-	-	-	-	1 150 2I/28,8	-	3 260 3I/29,1	5 560 3I/28,4	6 530 3I/28,6	11 290 3I/27,2	14 660 3I/27,3	22 670 3I/28,7	29 290 3I/28,8	39 700 3I/30	49 400 3I/30	60 140 3I/30,3			
	25	125 2I/24,4	290 2I/24,1	340 2I/25,1	510 2I/26	605 2I/26	1 300 2I/23,7	2 480 2I/24,1	3 480 2I/24,1	5 460 2I/24,6	7 930 2I/25,4	11 020 2I/24,2	15 880 2I/25	22 690 2I/25	30 480 2I/24,6	32 810 2I/25	46 760 2I/25	58 290 2I/25,7			
	22,4	-	-	-	-	-	-	-	4 000 2I/21,7	6 230 2I/22,5	8 790 2I/23,3	11 880 2I/22,2	17 010 2I/23	23 120 2I/22	29 770 2I/22,2	36 510 2I/22,8	48 130 2I/22,8	59 040 2I/23,4			
	20	2,13 145 2I/20,1	5,42 355 2I/19,3	5,42 370 2I/20,1	8,57 610 2I/20,8	10,1 715 2I/20,8	23 1 520 2I/19,3	45,3 2 980 2I/19,3	64,8 4 340 2I/19,6	92,5 6 520 2I/20,7	124 8 790 2I/20,8	186 12 940 2I/20,3	249 17 010 2I/20	386 25 950 2I/19,7	469 32 100 2I/20,1	- 39 270 2I/20,6	- 54 080 2I/20,6	- 64 880 2I/20,3	20	2800	140
	18	-	-	-	-	-	-	-	67,6 4 530 2I/17,6	103 7 100 2I/18,1	127 8 750 2I/18	199 13 390 2I/17,6	246 16 960 2I/18,1	390 26 540 2I/17,8	471 32 290 2I/17,9	- 41 770 2I/17,8	- 52 210 2I/17,8	- 64 190 2I/18,3	18	2500	
	16	2,47 170 2I/16,3	5,26 355 2I/15,8	5,98 420 2I/16,5	10,8 720 2I/15,7	12,7 850 2I/15,7	23,2 1 590 2I/16,1	44,4 3 000 2I/15,8	63,9 4 100 2I/15,1	108 7 240 2I/15,7	124 8 790 2I/16,6	197 13 540 2I/16,1	257 17 140 2I/15,6	383 26 400 2I/16,2	455 30 420 2I/15,7	- 45 760 2I/15,9	- 57 190 2I/15,9	- 64 610 2I/16	16	2240	
	14	-	-	-	-	-	-	-	57,2 4 010 2I/14,7	106 7 130 2I/14,1	141 9 670 2I/14,4	206 13 670 2I/13,9	241 16 820 2I/14,6	332 23 150 2I/14,6	433 30 420 2I/14,7	623 42 490 2I/14,3	779 53 110 2I/14,3	953 65 550 2I/14,4	14	2000	
	12,5	2,64 170 2I/12,3	5,14 355 2I/13,1	5,15 370 2I/13,6	8,73 635 2I/13,7	10,1 735 2I/13,7	23,3 1 520 2I/12,3	43 2 980 2I/13,1	61,5 4 350 2I/13,3	90,6 6 530 2I/13,6	121 8 790 2I/13,6	188 12 930 2I/13	247 16 720 2I/12,8	375 25 980 2I/13,1	463 32 720 2I/13,3	569 40 370 2I/13,4	766 54 340 2I/13,4	933 65 080 2I/13,1	12,5	1800	
	11,2	-	-	-	-	-	-	-	64 4 540 2I/11,9	100 7 100 2I/11,9	137 9 680 2I/11,8	197 13 180 2I/11,2	246 16 840 2I/11,5	377 26 570 2I/11,8	468 33 270 2I/11,9	615 42 250 2I/11,5	769 52 810 2I/11,5	943 66 570 2I/11,8	11,2	1600	
	10	2,77 195 2I/10,2	5,12 375 2I/10,7	5,52 420 2I/11,2	10,3 725 2I/10,3	12,1 850 2I/10,3	22,6 1 580 2I/10,2	44,3 3 240 2I/10,7	60,4 4 200 2I/10,2	103 7 250 2I/10,3	134 9 780 2I/10,7	192 13 410 2I/10,2	252 17 110 2I/9,95	365 26 730 2I/10,7	476 33 810 2I/10,4	670 47 040 2I/10,3	837 58 810 2I/10,3	929 67 640 2I/10,7	10	1400	
	9	-	-	-	-	-	-	-	55,8 3 930 2I/9,22	85,6 6 040 2I/9,24	98,2 6 990 2I/9,31	200 13 510 2I/8,85	243 16 500 2I/8,88	352 24 710 2I/9,19	454 32 020 2I/9,22	647 45 680 2I/9,24	809 57 100 2I/9,24	904 64 280 2I/9,31	9	1250	
	8	2,67 180 2I/8,01	5,4 380 2I/8,26	6,75 460 2I/7,99	11,1 760 2I/8,03	13,7 940 2I/8,03	23 1 570 2I/8,01	45,7 3 220 2I/8,26	- -	88,6 6 070 2I/8,03	- -	195 13 340 2I/8,01	- -	353 24 850 2I/8,26	- -	634 43 440 2I/8,03	790 54 130 2I/8,03	- -	8	1120	
	6,3	2,17 150 2I/6,42	4,64 320 2I/6,53	5,66 410 2I/6,86	9 615 2I/6,41	11,3 765 2I/6,41	22 1 500 2I/6,42	35,3 2 450 2I/6,53	- -	72,1 4 910 2I/6,41	- -	165 11 230 2I/6,42	- -	325 22 500 2I/6,53	- -	568 38 670 2I/6,41	663 45 120 2I/6,41	- -	6,3	900	
5	-	4,5 300 I/5	-	8,36 585 I/5,2	-	19,2 1 250 I/4,82	37,7 2 540 I/5	50,8 3 420 I/5	82,3 5 450 I/4,92	106 7 260 I/5,07	166 11 020 I/4,92	205 14 000 I/5,07	299 20 410 I/5,08	416 28 000 I/5	565 37 390 I/4,92	706 46 730 I/4,92	817 55 740 I/5,07	5	710		
4,5	-	-	-	-	-	-	38,1 2 570 I/4,45	53,2 3 630 I/4,5	86,5 5 900 I/4,5	111 7 880 I/4,67	173 11 800 I/4,5	217 15 330 I/4,67	337 22 810 I/4,47	423 28 840 I/4,5	564 38 480 I/4,5	705 48 100 I/4,5	808 56 320 I/4,6	4,5	630		

For n_1 lower than 560 min⁻¹ see page 107.

$n_{N2} \cdot L_h$ min ⁻¹ · h	i_N	P_{N2} kW																i_N	n_1	n_{N2} min ⁻¹	
		M_{N2} N m																			
		... / i																			
		50	63	64	80	81	100	125	140	160	180	200	225	250	280	320	321	360			
1 800 000	4	-	5,02 340 1/4	-	9,99 710 1/4,16	-	20,9 1 400 1/3,92	41 2 800 1/4	59,3 4 120 1/4,08	88,7 6 250 1/4,13	122 8 620 1/4,15	177 12 500 1/4,13	247 17 130 1/4,07	325 22 190 1/4	465 32 300 1/4,08	595 41 270 1/4,07	744 51 580 1/4,07	804 54 870 1/4	4	560	140
1 600 000	100	-	-	-	-	-	1 180 31/103	2 360 31/101	3 550 31/100	5 300 31/107	7 500 31/108	10 600 31/100	15 000 31/98,5	21 200 31/98,5	29 150 31/100	37 500 31/105	45 000 31/105	50 520 31/103			
	90	-	-	-	-	-	-	-	3 750 31/89,4	5 450 31/93,7	7 300 31/93,3	11 200 31/86,4	16 000 31/88,8	22 400 31/89	26 920 31/89,7	36 550 31/90,1	45 680 31/90,1	51 000 31/92,7			
	80	-	245 31/75,2	300 31/78,2	515 31/82,7	605 31/82,7	1 090 31/75,5	2 180 31/75,3	3 750 31/81,4	5 600 31/85,7	7 750 31/86,1	11 200 31/84	15 500 31/82,7	22 400 31/82,7	29 230 31/84,3	38 700 31/82,5	47 500 31/82,5	50 820 31/81,1			
	71	-	-	-	-	-	-	-	3 870 31/72,8	5 800 31/74,9	8 290 31/74,6	11 800 31/72,6	16 500 31/74,5	23 600 31/74,7	26 950 31/75,3	36 320 31/71	45 400 31/71	53 790 31/73			
	63	-	300 31/60,1	370 31/62,6	610 31/66,3	715 31/66,3	1 320 31/61,5	2 650 31/60,2	3 870 31/62	5 800 31/63,5	8 250 31/63,8	11 800 31/62,6	16 500 31/61,7	23 600 31/61,5	28 310 31/62,7	40 800 31/67,1	51 010 31/67,1	53 960 31/66			
	56	-	-	-	-	-	-	-	4 120 31/55,4	6 150 31/55,5	8 360 31/55,3	12 500 31/54,1	17 500 31/55,5	25 000 31/55,6	28 530 31/56	36 400 31/57,8	45 500 31/57,8	57 050 31/59,4			
	50	-	315 31/49,4	400 31/51,5	670 31/49,8	800 31/49,8	1 400 31/51,2	2 730 31/49,5	4 120 31/50,4	6 150 31/50,8	8 810 31/51	12 500 31/52,6	17 500 31/51,8	25 000 31/51,7	28 460 31/52,7	40 730 31/52,9	50 910 31/52,9	56 910 31/52			
	45	-	-	-	-	-	-	-	4 430 31/45,1	6 500 31/44,4	8 640 31/44,2	13 200 31/45,4	19 020 31/46,6	26 120 31/46,7	30 080 31/47,1	38 140 31/45,5	47 460 31/45,5	60 170 31/46,8			
	40	-	335 31/40,8	375 31/42,5	610 31/43,6	720 31/43,6	1 450 31/39,1	2 770 31/40,8	3 930 31/38,7	6 700 31/38,5	8 070 31/39,9	13 600 31/41,5	17 040 31/40,4	24 560 31/42,4	30 490 31/41,2	38 660 31/40,7	48 100 31/40,7	60 990 31/42,3			
	35,5	-	-	-	-	-	-	-	3 940 31/37,5	6 700 31/36,5	7 830 31/36,3	13 700 31/34,4	15 660 31/35,4	24 830 31/36,9	30 880 31/37,2	39 140 31/37,4	48 710 31/37,4	61 760 31/38,4			
	31,5	-	325 31/33,5	365 31/34,9	725 31/32,8	800 31/32,8	1 360 31/32,6	2 430 31/33,5	3 600 31/32,2	6 150 31/31,6	7 490 31/32,8	12 980 31/31,5	15 880 31/30,6	23 380 31/33,5	31 320 31/32,5	39 700 31/33,5	49 400 31/33,5	62 640 31/34,7			
	28	-	-	-	-	-	1 150 21/28,8	-	3 300 31/29,1	5 640 31/28,4	6 620 31/28,6	11 630 31/27,2	14 870 31/27,3	23 000 31/28,7	29 710 31/28,8	40 270 31/30	50 110 31/30	61 000 31/30,3			
	25	125 21/24,4	290 21/24,1	340 21/25,1	520 21/26	605 21/26	1 310 21/23,7	2 490 21/24,1	3 500 21/24,1	5 480 21/24,6	7 960 21/25,4	11 060 21/24,2	15 940 21/25	22 770 21/25	30 600 21/24,6	33 280 21/25	46 930 21/25	60 410 21/25,7			
	22,4	-	-	-	-	-	-	-	54,4 21/21,7	81,5 21/22,5	111 21/23,3	158 21/22,2	220 21/23	309 21/22	408 21/22,2	-	-	-	22,4	2800	125
	20	1,91 21/20,1	4,85 21/19,3	4,86 21/20,1	7,75 21/20,8	9,02 21/20,8	20,6 21/19,3	40,6 21/19,3	58 21/19,6	82,9 21/20,7	111 21/20,8	167 21/20,3	230 21/20	346 21/19,7	433 21/20,1	-	-	-	20	2500	
	18	-	-	-	-	-	-	-	60,8 21/17,6	92,4 21/18,1	114 21/18	184 21/17,6	228 21/18,1	351 21/17,8	428 21/17,9	-	-	-	18	2240	
16	2,22 21/16,3	4,83 21/15,8	5,35 21/16,5	9,64 21/15,7	11,4 21/15,7	20,8 21/16,1	41 21/15,8	57,3 21/15,1	97,1 21/15,7	111 21/16,6	182 21/16,1	237 21/15,6	354 21/16,2	411 21/15,7	623 21/15,9	779 21/15,9	875 21/16	16	2000		

For n_1 lower than 560 min⁻¹ see page 107.

$n_{N2} \cdot L_h$ min ⁻¹ · h	i_N	P_{N2} kW																i_N	n_1	n_{N2} min ⁻¹		
		M_{N2} N m																				
		... / i																				
		50	63	64	80	81	100	125	140	160	180	200	225	250	280	320	321	360				
1 600 000	14	-	-	-	-	-	-	-	51,6 4 030 21/14,7	95,8 7 150 21/14,1	127 9 700 21/14,4	191 14 110 21/13,9	223 17 260 21/14,6	300 23 230 21/14,6	403 31 390 21/14,7	579 43 850 21/14,3	724 54 820 21/14,3	869 66 430 21/14,4	14	1800	125	
	12,5	2,35 175 21/12,3	4,59 360 21/13,1	4,59 375 21/13,6	7,87 645 21/13,7	9,11 745 21/13,7	20,7 1 520 21/12,3	38,4 2 990 21/13,1	54,9 4 360 21/13,3	80,8 6 550 21/13,6	108 8 830 21/13,6	168 12 980 21/13	228 17 330 21/12,8	334 26 070 21/13,1	425 33 790 21/13,3	513 40 940 21/13,4	704 56 170 21/13,4	859 67 420 21/13,1	12,5	1600		
	11,2	-	-	-	-	-	-	-	56,2 4 560 21/11,9	88 7 130 21/11,9	120 9 720 21/11,8	180 13 720 21/11,2	221 17 350 21/11,5	331 26 690 21/11,8	416 33 810 21/11,9	547 42 900 21/11,5	682 53 480 21/11,5	838 67 640 21/11,8	11,2	1400		
	10	2,48 195 21/10,2	4,57 375 21/10,7	4,95 425 21/11,2	9,23 725 21/10,3	10,9 855 21/10,3	20,9 1 630 21/10,2	40,8 3 350 21/10,7	55,8 4 350 21/10,2	92,5 7 280 21/10,3	122 9 930 21/10,7	177 13 870 21/10,2	230 17 530 21/9,95	337 27 660 21/10,7	428 34 030 21/10,4	611 48 030 21/10,3	763 60 040 21/10,3	834 68 080 21/10,7	10	1250		
	9	-	-	-	-	-	-	-	50,2 3 950 21/9,22	77,2 6 080 21/9,24	88,6 7 030 21/9,31	185 13 960 21/8,85	225 17 050 21/8,88	317 24 850 21/9,19	410 32 210 21/9,22	599 47 210 21/9,24	749 59 010 21/9,24	815 64 680 21/9,31	9	1120		
	8	2,46 190 21/8,01	4,9 385 21/8,26	6,24 475 21/7,99	9,97 765 21/8,03	12,3 945 21/8,03	21,3 1 630 21/8,01	42,2 3 330 21/8,26	-	79,6 6 110 21/8,03	-	180 13 800 21/8,01	-	317 25 000 21/8,26	-	570 43 720 21/8,03	710 54 460 21/8,03	-	8	1000		
	6,3	1,94 150 21/6,42	4,27 335 21/6,53	5,03 410 21/6,86	8,03 615 21/6,41	10 770 21/6,41	19,6 1 500 21/6,42	31,6 2 460 21/6,53	-	64,5 4 940 21/6,41	-	147 11 300 21/6,42	-	290 22 640 21/6,53	-	510 39 040 21/6,41	593 45 420 21/6,41	-	6,3	800		
	5	-	4 305 1/5	-	7,45 585 1/5,2	-	17,1 1 250 1/4,82	33,6 2 550 1/5	45,1 3 420 1/5	73 5 450 1/4,92	94,4 7 260 1/5,07	148 11 060 1/4,92	182 14 000 1/5,07	275 21 160 1/5,08	369 28 000 1/5	502 37 500 1/4,92	629 46 910 1/4,92	752 57 780 1/5,07	5	630		
	4,5	-	-	-	-	-	-	33,8 2 570 1/4,45	47,3 3 630 1/4,5	77,2 5 920 1/4,5	99 7 880 1/4,67	154 11 800 1/4,5	193 15 330 1/4,67	301 22 900 1/4,47	389 29 870 1/4,5	503 38 630 1/4,5	629 48 280 1/4,5	744 58 350 1/4,6	4,5	560		
	1 400 000	125	-	-	-	-	1 150 31/123	2 300 31/123	2 900 31/123	4 370 31/128	6 300 31/131	9 000 31/119	12 500 31/123	18 000 31/125	25 000 31/123	31 500 31/127	37 500 31/127	50 000 31/131	-	-	-	-
100		-	-	-	-	1 220 31/103	2 430 31/101	3 650 31/100	5 450 31/107	7 750 31/108	10 900 31/100	15 500 31/98,5	21 800 31/98,5	30 130 31/100	38 700 31/105	46 200 31/105	52 210 31/103	-	-	-	-	
90		-	-	-	-	-	-	3 870 31/89,4	5 600 31/93,7	7 500 31/93,3	11 500 31/86,4	16 000 31/88,8	23 000 31/89	27 850 31/89,7	37 810 31/90,1	47 260 31/90,1	52 300 31/92,7	-	-	-	-	
80		-	250 31/75,2	305 31/78,2	515 31/82,7	605 31/82,7	1 120 31/75,5	2 240 31/75,3	3 750 31/81,4	5 600 31/85,7	8 000 31/86,1	11 500 31/84	16 000 31/82,7	23 000 31/82,7	30 160 31/84,3	40 000 31/82,5	48 700 31/82,5	52 270 31/81,1	-	-	-	-
71		-	-	-	-	-	-	4 000 31/72,8	6 000 31/74,9	8 580 31/74,6	12 200 31/72,6	17 000 31/74,5	24 300 31/74,7	27 920 31/75,3	37 630 31/71	47 030 31/71	55 530 31/73	-	-	-	-	
63		-	305 31/60,1	375 31/62,6	610 31/66,3	720 31/66,3	1 360 31/61,5	2 720 31/60,2	4 000 31/62	6 000 31/63,5	8 500 31/63,8	12 200 31/62,6	17 000 31/61,7	24 300 31/61,5	29 340 31/62,7	42 290 31/67,1	52 860 31/67,1	55 440 31/66	-	-	-	-
56		-	-	-	-	-	-	4 120 31/55,4	6 300 31/55,5	8 390 31/55,3	12 800 31/54,1	18 000 31/55,5	25 700 31/55,6	29 280 31/56	37 730 31/57,8	47 160 31/57,8	58 560 31/59,4	-	-	-	-	
50		-	325 31/49,4	410 31/51,5	690 31/49,8	825 31/49,8	1 450 31/51,2	2 830 31/49,5	4 250 31/50,4	6 300 31/50,8	8 840 31/51	13 040 31/52,6	18 000 31/51,8	26 170 31/51,7	29 460 31/52,7	42 190 31/52,9	52 740 31/52,9	58 470 31/52	-	-	-	-
45		-	-	-	-	-	-	4 500 31/45,1	6 700 31/44,4	8 940 31/44,2	13 600 31/45,4	19 000 31/46,6	26 770 31/46,7	30 490 31/47,1	38 660 31/45,5	48 100 31/45,5	60 990 31/46,8	-	-	-	-	

For n_1 lower than 560 min⁻¹ see page 107.

$n_{N2} \cdot L_h$ min ⁻¹ · h	i_N	P_{N2} kW																i_N	n_1 min ⁻¹	n_{N2} min ⁻¹	
		M_{N2} N m																			
		... / i																			
50	63	64	80	81	100	125	140	160	180	200	225	250	280	320	321	360					
1 400 000	40	-	335 3/40,8	375 3/42,5	615 3/43,6	720 3/43,6	1 500 3/39,1	2 860 3/40,8	4 060 3/38,7	6 700 3/38,5	8 330 3/39,9	13 600 3/41,5	17 590 3/40,4	25 350 3/42,4	30 880 3/41,2	39 140 3/40,7	48 710 3/40,7	61 760 3/42,3			
	35,5	-	-	-	-	-	-	4 080 3/37,5	6 700 3/36,5	7 940 3/36,3	13 840 3/34,4	16 190 3/35,4	25 720 3/36,9	31 320 3/37,2	39 700 3/37,4	49 400 3/37,4	62 640 3/38,4				
	31,5	-	325 3/33,5	365 3/34,9	730 3/32,8	825 3/32,8	1 400 3/32,6	2 520 3/33,5	3 660 3/32,2	6 380 3/31,6	7 590 3/32,8	13 450 3/31,5	16 110 3/30,6	24 230 3/33,5	31 770 3/32,5	40 270 3/33,5	50 110 3/33,5	63 530 3/34,7			
	28	-	-	-	-	-	1 200 2/28,8	-	3 400 3/29,1	5 720 3/28,4	6 710 3/28,6	12 050 3/27,2	15 080 3/27,3	23 330 3/28,7	30 140 3/28,8	40 850 3/30	50 830 3/30	61 880 3/30,3			
	25	1,51 125 2/24,4	3,54 290 2/24,1	4 340 2/25,1	5,94 525 2/26	6,87 610 2/26	16,2 1 310 2/23,7	30,5 2 500 2/24,1	42,7 3 510 2/24,1	65,5 5 500 2/24,6	92,4 7 990 2/25,4	134 11 100 2/24,2	188 16 000 2/25	268 22 860 2/25	366 30 710 2/24,6	-	-	-	25	2800	112
	22,4	-	-	-	-	-	-	-	48,7 4 030 2/21,7	73 6 270 2/22,5	99,4 8 860 2/23,3	141 11 970 2/22,2	197 17 330 2/23	277 23 290 2/22	377 31 900 2/22,2	-	-	-	22,4	2500	
	20	1,72 145 2/20,1	4,36 360 2/19,3	4,37 375 2/20,1	7,04 625 2/20,8	8,15 725 2/20,8	18,6 1 530 2/19,3	36,5 3 000 2/19,3	52,2 4 370 2/19,6	74,5 6 570 2/20,7	99,9 8 850 2/20,8	150 13 030 2/20,3	213 18 190 2/20	311 26 130 2/19,7	396 33 870 2/20,1	-	-	-	20	2240	
	18	-	-	-	-	-	-	-	54,5 4 570 2/17,6	82,8 7 150 2/18,1	106 9 120 2/18	165 13 850 2/17,6	210 18 130 2/18,1	315 26 730 2/17,8	387 33 170 2/17,9	501 42 530 2/17,8	627 53 160 2/17,8	779 67 980 2/18,3	18	2000	
	16	2 175 2/16,3	4,35 365 2/15,8	4,84 425 2/16,5	8,7 725 2/15,7	10,3 855 2/15,7	18,8 1 600 2/16,1	38,1 3 200 2/15,8	51,7 4 130 2/15,1	87,7 7 290 2/15,7	100 8 850 2/16,6	169 14 460 2/16,1	221 18 300 2/15,6	326 27 980 2/16,2	375 31 220 2/15,7	570 48 140 2/15,9	713 60 180 2/15,9	813 68 990 2/16	16	1800	
	14	-	-	-	-	-	-	-	46,1 4 040 2/14,7	85,5 7 180 2/14,1	113 9 740 2/14,4	175 14 510 2/13,9	199 17 330 2/14,6	268 23 320 2/14,6	371 32 520 2/14,7	533 45 430 2/14,3	666 56 790 2/14,3	801 68 820 2/14,4	14	1600	
	12,5	2,07 175 2/12,3	4,03 360 2/13,1	4,07 380 2/13,6	6,99 655 2/13,7	8,1 755 2/13,7	18,2 1 530 2/12,3	33,7 3 010 2/13,1	48,2 4 380 2/13,3	71 6 580 2/13,6	95,2 8 860 2/13,6	148 13 030 2/13	207 18 030 2/12,8	294 26 180 2/13,1	374 33 940 2/13,3	456 41 600 2/13,4	619 56 400 2/13,4	783 70 170 2/13,1	12,5	1400	
	11,2	-	-	-	-	-	-	-	50,4 4 580 2/11,9	78,9 7 160 2/11,9	108 9 750 2/11,8	162 13 860 2/11,2	205 17 950 2/11,5	297 26 780 2/11,8	374 34 030 2/11,9	491 43 180 2/11,5	612 53 810 2/11,5	773 69 900 2/11,8	11,2	1250	
	10	2,23 195 2/10,2	4,23 385 2/10,7	4,45 425 2/11,2	8,3 730 2/10,3	9,76 855 2/10,3	19,3 1 690 2/10,2	36,7 3 360 2/10,7	50,2 4 370 2/10,2	83,2 7 300 2/10,3	109 9 930 2/10,7	164 14 340 2/10,2	213 18 110 2/9,95	306 28 040 2/10,7	386 34 240 2/10,4	549 48 200 2/10,3	686 60 250 2/10,3	752 68 510 2/10,7	10	1120	
	9	-	-	-	-	-	-	-	44,9 3 950 2/9,22	69,4 6 120 2/9,24	79,6 7 080 2/9,31	171 14 440 2/8,85	208 17 640 2/8,88	289 25 320 2/9,19	368 32 410 2/9,22	553 48 840 2/9,24	692 61 050 2/9,24	732 65 090 2/9,31	9	1000	
8	2,29 195 2/8,01	4,41 385 2/8,26	5,73 485 2/7,99	9 765 2/8,03	11,1 945 2/8,03	19,8 1 680 2/8,01	38,2 3 350 2/8,26	-	72,1 6 140 2/8,03	-	168 14 240 2/8,01	-	287 25 140 2/8,26	-	516 43 980 2/8,03	643 54 770 2/8,03	-	8	900		
6,3	1,73 150 2/6,42	3,93 345 2/6,53	4,47 410 2/6,86	7,16 615 2/6,41	8,95 770 2/6,41	17,4 1 500 2/6,42	28,2 2 480 2/6,53	-	57,6 4 970 2/6,41	-	132 11 370 2/6,42	-	259 22 780 2/6,53	-	457 39 420 2/6,41	530 45 720 2/6,41	-	6,3	710		
5	-	3,57 305 1/5	-	6,64 590 1/5,2	-	15,2 1 250 1/4,82	30 2 560 1/5	40,1 3 420 1/5	64,9 5 450 1/4,92	83,9 7 260 1/5,07	132 11 100 1/4,92	162 14 000 1/5,07	253 21 920 1/5,08	328 28 000 1/5	447 37 500 1/4,92	561 47 080 1/4,92	671 58 000 1/5,07	5	560		
1 250 000	125	-	-	-	-	1 180 3/123	2 360 3/123	3 000 3/123	4 500 3/128	6 300 3/131	9 250 3/119	12 800 3/123	18 500 3/125	25 700 3/123	31 500 3/127	38 700 3/127	51 500 3/131				

For n_1 lower than 560 min⁻¹ see page 107.

$n_{N2} \cdot L_h$ min ⁻¹ · h	i_N	P_{N2} kW																i_N	n_1	n_{N2} min ⁻¹		
		M_{N2} N m																				
		... / i																				
		50	63	64	80	81	100	125	140	160	180	200	225	250	280	320	321	360				
1 250 000	100	-	-	-	-	-	1 250 31/103	2 500 31/101	3 750 31/100	5 600 31/107	7 750 31/108	11 200 31/100	15 500 31/98,5	22 400 31/98,5	31 170 31/100	38 700 31/105	47 500 31/105	54 020 31/103				
	90	-	-	-	-	-	-	-	3 870 31/89,4	5 800 31/93,7	7 750 31/93,3	11 800 31/86,4	16 500 31/88,8	23 600 31/89	28 750 31/89,7	39 030 31/90,1	48 780 31/90,1	53 790 31/92,7				
	80	-	255 31/75,2	315 31/78,2	520 31/82,7	610 31/82,7	1 150 31/75,5	2 300 31/75,3	3 870 31/81,4	5 800 31/85,7	8 250 31/86,1	11 800 31/84	16 500 31/82,7	23 600 31/82,7	31 250 31/84,3	41 200 31/82,5	50 000 31/82,5	53 960 31/81,1				
	71	-	-	-	-	-	-	-	4 120 31/72,8	6 150 31/74,9	8 900 31/74,6	12 500 31/72,6	17 500 31/74,5	25 000 31/74,7	28 940 31/75,3	39 000 31/71	48 750 31/71	57 050 31/73				
	63	-	315 31/60,1	375 31/62,6	615 31/66,3	725 31/66,3	1 400 31/61,5	2 800 31/60,2	4 120 31/62	6 150 31/63,5	8 870 31/63,8	12 500 31/62,6	17 500 31/61,7	25 000 31/61,5	30 420 31/62,7	43 840 31/67,1	53 000 31/67,1	56 910 31/66				
	56	-	-	-	-	-	-	-	4 250 31/55,4	6 500 31/55,5	8 420 31/55,3	13 200 31/54,1	18 500 31/55,5	26 820 31/55,6	30 080 31/56	39 080 31/57,8	48 860 31/57,8	60 170 31/59,4				
	50	-	335 31/49,4	425 31/51,5	710 31/49,8	850 31/49,8	1 450 31/51,2	2 930 31/49,5	4 390 31/50,4	6 590 31/50,8	8 880 31/51	13 090 31/52,6	18 680 31/51,8	26 270 31/51,7	30 480 31/52,7	43 650 31/52,9	54 560 31/52,9	59 270 31/52				
	45	-	-	-	-	-	-	-	4 590 31/45,1	6 700 31/44,4	9 230 31/44,2	13 910 31/45,4	19 000 31/46,6	26 860 31/46,7	30 880 31/47,1	39 140 31/45,5	48 710 31/45,5	61 760 31/46,8				
	40	-	335 31/40,8	375 31/42,5	615 31/43,6	725 31/43,6	1 530 31/39,1	2 960 31/40,8	4 200 31/38,7	6 700 31/38,5	8 630 31/39,9	13 600 31/41,5	18 230 31/40,4	26 260 31/42,4	31 320 31/41,2	39 700 31/40,7	49 400 31/40,7	62 640 31/42,3				
	35,5	-	-	-	-	-	-	-	4 230 31/37,5	6 900 31/36,5	8 140 31/36,3	13 890 31/34,4	16 780 31/35,4	26 660 31/36,9	31 770 31/37,2	40 270 31/37,4	50 110 31/37,4	63 530 31/38,4				
	31,5	-	335 31/33,5	375 31/34,9	730 31/32,8	825 31/32,8	1 400 31/32,6	2 610 31/33,5	3 760 31/32,2	6 610 31/31,6	7 700 31/32,8	13 940 31/31,5	16 340 31/30,6	25 110 31/33,5	32 220 31/32,5	40 850 31/33,5	50 830 31/33,5	64 450 31/34,7				
	28	-	-	-	-	-	12,2 1 200 21/28,8	-	35,5 3 520 31/29,1	59,9 5 800 31/28,4	69,8 6 810 31/28,6	134 12 490 31/27,2	164 15 290 31/27,3	242 23 660 31/28,7	311 30 570 31/28,8	404 41 430 31/30 ▲	503 51 550 31/30 ▲	608 62 760 31/30,3 ▲	28	2800	100	
	25	1,36 125 21/24,4	3,18 290 21/24,1	3,59 345 21/25,1	5,38 535 21/26	6,21 615 21/26	14,6 1 320 21/23,7	27,3 2 510 21/24,1	38,3 3 520 21/24,1	58,7 5 520 21/24,6	82,8 8 020 21/25,4	120 11 140 21/24,2	168 16 060 21/25	240 22 940 21/25	328 30 820 21/24,6	- 34 220 21/25	- 47 270 21/25	- 64 750 21/25,7	25	2500		
	22,4	-	-	-	-	-	-	-	43,8 4 050 21/21,7	65,6 6 300 21/22,5	89,4 8 890 21/23,3	127 12 010 21/22,2	178 17 390 21/23	249 23 370 21/22	349 32 970 21/22,2	- 38 030 21/22,8	- 48 650 21/22,8	- 65 400 21/23,4	22,4	2240		
	20	1,54 150 21/20,1	3,91 360 21/19,3	3,91 375 21/20,1	6,37 635 21/20,8	7,37 735 21/20,8	16,6 1 530 21/19,3	32,7 3 010 21/19,3	46,8 4 390 21/19,6	66,8 6 590 21/20,7	89,6 8 880 21/20,8	135 13 070 21/20,3	195 18 660 21/20	279 26 230 21/19,7	355 33 990 21/20,1	415 40 880 21/20,6	574 56 540 21/20,6	740 71 780 21/20,3	20	2000		
	18	-	-	-	-	-	-	-	49,2 4 580 21/17,6	74,7 7 170 21/18,1	95,8 9 150 21/18	149 13 900 21/17,6	195 18 710 21/18,1	284 26 820 21/17,8	353 33 590 21/17,9	453 42 670 21/17,8	566 53 340 21/17,8	724 70 170 21/18,3	18	1800		
16	1,79 175 21/16,3	3,97 375 21/15,8	4,31 425 21/16,5	7,77 725 21/15,7	9,18 860 21/15,7	17,2 1 650 21/16,1	35,1 3 320 21/15,8	46,2 4 150 21/15,1	78,3 7 320 21/15,7	89,6 8 880 21/16,6	151 14 530 21/16,1	203 18 960 21/15,6	291 28 090 21/16,2	338 31 670 21/15,7	509 48 320 21/15,9	636 60 400 21/15,9	748 71 480 21/16	16	1600			
14	-	-	-	-	-	-	-	40,5 4 060 21/14,7	75,1 7 210 21/14,1	99,6 9 780 21/14,4	154 14 570 21/13,9	174 17 400 21/14,6	235 23 410 21/14,6	336 33 670 21/14,7	486 47 290 21/14,3	607 59 110 21/14,3	729 71 630 21/14,4	14	1400			

For n_1 lower than 560 min⁻¹ see page 107.

▲ Possible forced lubrication with heat exchanger: consult us.

$n_{N2} \cdot L_h$ min ⁻¹ · h	i_N	P_{N2} kW																i_N	n_1	n_{N2} min ⁻¹		
		M_{N2} N m																				
		... / i																				
		50	63	64	80	81	100	125	140	160	180	200	225	250	280	320	321	360				
1 250 000	12,5	1,85 175 21/12,3	3,61 360 21/13,1	3,64 380 21/13,6	6,27 655 21/13,7	7,25 760 21/13,7	16,3 1 530 21/12,3	30,2 3 020 21/13,1	43,2 4 400 21/13,3	63,6 6 600 21/13,6	85,3 8 900 21/13,6	132 13 080 21/13	191 18 660 21/12,8	263 26 280 21/13,1	335 34 060 21/13,3	410 41 880 21/13,4	554 56 610 21/13,4	723 72 600 21/13,1	12,5	1250	100	
	11,2	-	-	-	-	-	-	-	45,3 4 590 21/11,9	70,9 7 180 21/11,9	97 9 790 21/11,8	146 13 910 21/11,2	189 18 560 21/11,5	267 26 870 21/11,8	337 34 240 21/11,9	443 43 440 21/11,5	552 54 130 21/11,5	716 72 240 21/11,8	11,2	1120		
	10	2 195 21/10,2	3,78 385 21/10,7	3,99 425 21/11,2	7,44 730 21/10,3	8,75 860 21/10,3	16,9 1 650 21/10,2	32,9 3 370 21/10,7	44,8 4 370 21/10,2	74,5 7 330 21/10,3	97,3 9 930 21/10,7	149 14 530 21/10,2	197 18 740 21/9,95	275 28 140 21/10,7	347 34 460 21/10,4	492 48 370 21/10,3	615 60 470 21/10,3	692 70 550 21/10,7	10	1000		
	9	-	-	-	-	-	-	-	40,4 3 950 21/9,22	62,8 6 160 21/9,24	72,1 7 120 21/9,31	155 14 560 21/8,85	193 18 210 21/8,88	268 26 130 21/9,19	333 32 600 21/9,22	514 50 410 21/9,24	643 63 010 21/9,24	663 65 480 21/9,31	9	900		
	8	2,11 200 21/8,01	3,92 385 21/8,26	5,11 485 21/7,99	8,03 770 21/8,03	9,9 950 21/8,03	17,8 1 700 21/8,01	34 3 350 21/8,26	-	64,5 6 180 21/8,03	-	154 14 760 21/8,01	-	256 25 290 21/8,26	-	473 45 390 21/8,03	592 56 740 21/8,03	-	8	800		
	6,3	1,54 150 21/6,42	3,48 345 21/6,53	3,96 410 21/6,86	6,37 620 21/6,41	7,97 775 21/6,41	15,9 1 550 21/6,42	25,2 2 490 21/6,53	-	51,4 5 000 21/6,41	-	118 11 440 21/6,42	-	231 22 920 21/6,53	-	409 39 800 21/6,41	473 46 020 21/6,41	-	6,3	630		
1 120 000	160	-	-	-	-	1000 31/151	2 000 31/153	-	-	-	-	-	-	-	-	-	-	-				
	125	-	-	-	-	1 220 31/123	2 430 31/123	3 150 31/123	4 620 31/128	6 500 31/131	9 500 31/119	13 200 31/123	19 000 31/125	26 500 31/123	32 500 31/127	40 000 31/127	53 000 31/127					
	100	-	-	-	-	1 280 31/103	2 570 31/101	3 750 31/100	5 600 31/107	8 000 31/108	11 500 31/100	16 000 31/98,5	23 000 31/98,5	32 170 31/100	40 000 31/105	48 700 31/105	55 750 31/103					
	90	-	-	-	-	-	-	4 000 31/89,4	6 000 31/93,7	8 000 31/93,3	12 200 31/86,4	17 000 31/88,8	24 300 31/89	29 780 31/89,7	40 430 31/90,1	50 540 31/90,1	55 530 31/92,7					
	80	-	265 31/75,2	325 31/78,2	520 31/82,7	610 31/82,7	1 180 31/75,5	2 360 31/75,3	4 000 31/81,4	6 000 31/85,7	8 500 31/86,1	12 200 31/84	17 000 31/82,7	24 300 31/82,7	32 390 31/84,3	42 500 31/82,5	51 500 31/82,5	55 710 31/81,1				
	71	-	-	-	-	-	-	4 250 31/72,8	6 300 31/74,9	9 220 31/74,6	12 800 31/72,6	18 000 31/74,5	25 700 31/74,7	30 000 31/75,3	40 420 31/71	50 530 31/71	58 560 31/73					
	63	-	325 31/60,1	375 31/62,6	615 31/66,3	725 31/66,3	1 450 31/61,5	2 900 31/60,2	4 250 31/62	6 300 31/63,5	8 910 31/63,8	13 110 31/62,6	18 000 31/61,7	26 320 31/61,5	31 510 31/62,7	45 410 31/67,1	54 500 31/67,1	58 470 31/66				
	56	-	-	-	-	-	-	4 370 31/55,4	6 700 31/55,5	8 450 31/55,3	13 600 31/54,1	19 000 31/55,5	26 920 31/55,6	30 490 31/56	40 440 31/57,8	50 550 31/57,8	60 990 31/59,4					
	50	-	335 31/49,4	425 31/51,5	710 31/49,8	860 31/49,8	1 500 31/51,2	3 020 31/49,5	4 400 31/50,4	6 610 31/50,8	8 910 31/51	13 130 31/52,6	18 740 31/51,8	26 350 31/51,7	31 450 31/52,7	45 050 31/52,9	56 310 31/52,9	60 020 31/52				
	45	-	-	-	-	-	-	4 600 31/45,1	6 700 31/44,4	9 560 31/44,2	13 960 31/45,4	19 780 31/46,6	26 960 31/46,7	31 320 31/47,1	40 170 31/45,5	50 210 31/45,5	62 640 31/46,8					
	40	-	345 31/40,8	375 31/42,5	615 31/43,6	725 31/43,6	1 540 31/39,1	3 030 31/40,8	4 360 31/38,7	6 900 31/38,5	8 940 31/39,9	14 000 31/41,5	18 890 31/40,4	27 220 31/42,4	31 770 31/41,2	40 270 31/40,7	50 110 31/40,7	63 530 31/42,3				
35,5	-	-	-	-	-	-	4 380 31/37,5	6 900 31/36,5	8 440 31/36,3	13 950 31/34,4	17 390 31/35,4	26 960 31/36,9	32 220 31/37,2	40 850 31/37,4	50 830 31/37,4	64 450 31/38,4						

For n_1 lower than 560 min⁻¹ see page 107.

$n_{N2} \cdot L_h$ min ⁻¹ · h	i_N	P_{N2} kW																i_N	n_1 min ⁻¹	n_{N2} min ⁻¹	
		M_{N2} N m																			
		... / i																			
		50	63	64	80	81	100	125	140	160	180	200	225	250	280	320	321	360			
1 120 000	31,5	-	2,93 335 3/33,5	3,15 375 3/34,9	6,57 735 3/32,8	7,61 850 3/32,8	13,1 1 450 3/32,6	23,7 2 710 3/33,5	35,5 3 900 3/32,2	63,5 6 850 3/31,6	70,5 7 890 3/32,8	134 14 450 3/31,5	159 16 570 3/30,6	227 26 020 3/33,5	294 32 680 3/32,5	363 41 430 3/33,5▲	452 51 550 3/33,5▲	552 65 360 3/34,7▲	31,5	2800	90
	28	-	-	-	-	11 1 210 2/28,8	-	32,8 3 640 3/29,1	54,2 5 880 3/28,4	63,2 6 900 3/28,6	124 12 920 3/27,2	149 15 500 3/27,3	219 23 980 3/28,7	281 30 980 3/28,8	366 41 990 3/30	455 52 250 3/30	550 63 610 3/30,3	28	2500		
	25	1,22 125 2/24,4	2,86 295 2/24,1	3,23 345 2/25,1	4,88 540 2/26	5,64 625 2/26	13,1 1 320 2/23,7	24,5 2 520 2/24,1	34,4 3 540 2/24,1	52,8 5 540 2/24,6	74,4 8 050 2/25,4	108 11 180 2/24,2	151 16 110 2/25	216 23 020 2/25	295 30 930 2/24,6	-	-	-	25	2240	
	22,4	-	-	-	-	-	-	-	39,2 4 060 2/21,7	58,8 6 320 2/22,5	80,1 8 920 2/23,3	114 12 050 2/22,2	159 17 450 2/23	223 23 450 2/22	319 33 720 2/22,2	353 38 550 2/22,8	448 48 820 2/22,8	607 67 660 2/23,4	22,4	2000	
	20	1,39 150 2/20,1	3,53 360 2/19,3	3,53 375 2/20,1	5,81 640 2/20,8	6,72 745 2/20,8	15 1 540 2/19,3	29,5 3 020 2/19,3	42,2 4 400 2/19,6	60,3 6 610 2/20,7	80,9 8 910 2/20,8	121 13 120 2/20,3	176 18 720 2/20	252 26 310 2/19,7	320 34 110 2/20,1	378 41 400 2/20,6	518 56 730 2/20,6	688 74 080 2/20,3	20	1800	
	18	-	-	-	-	-	-	-	43,9 4 600 2/17,6	66,7 7 200 2/18,1	85,5 9 190 2/18	133 13 950 2/17,6	180 19 390 2/18,1	253 26 920 2/17,8	322 34 490 2/17,9	408 43 260 2/17,8	508 53 890 2/17,8	666 72 690 2/18,3	18	1600	
	16	1,57 175 2/16,3	3,58 385 2/15,8	3,79 425 2/16,5	6,82 730 2/15,7	8,07 860 2/15,7	15,5 1 700 2/16,1	31,2 3 370 2/15,8	40,6 4 170 2/15,1	68,8 7 350 2/15,7	78,7 8 920 2/16,6	133 14 590 2/16,1	179 19 120 2/15,6	256 28 210 2/16,2	306 32 760 2/15,7	447 48 520 2/15,9	559 60 650 2/15,9	679 74 160 2/16	16	1400	
	14	-	-	-	-	-	-	-	36,3 4 070 2/14,7	67,3 7 230 2/14,1	89,2 9 820 2/14,4	138 14 620 2/13,9	156 17 460 2/14,6	211 23 500 2/14,6	301 33 790 2/14,7	448 48 920 2/14,3	561 61 160 2/14,3	674 74 110 2/14,4	14	1250	
	12,5	1,67 175 2/12,3	3,25 360 2/13,1	3,27 380 2/13,6	5,63 660 2/13,7	6,52 760 2/13,7	14,7 1 540 2/12,3	27,2 3 030 2/13,1	38,8 4 410 2/13,3	57,2 6 620 2/13,6	76,7 8 930 2/13,6	119 13 130 2/13	172 18 740 2/12,8	237 26 370 2/13,1	301 34 180 2/13,3	370 42 140 2/13,4	499 56 800 2/13,4	662 74 220 2/13,1	12,5	1120	
	11,2	-	-	-	-	-	-	-	40,6 4 610 2/11,9	63,5 7 210 2/11,9	87 9 820 2/11,8	131 13 960 2/11,2	175 19 200 2/11,5	239 26 970 2/11,8	311 35 350 2/11,9	398 43 720 2/11,5	496 54 460 2/11,5	662 74 740 2/11,8	11,2	1000	
	10	1,81 195 2/10,2	3,4 385 2/10,7	3,6 430 2/11,2	6,71 735 2/10,3	7,9 865 2/10,3	15,7 1 700 2/10,2	29,7 3 380 2/10,7	40,3 4 370 2/10,2	67,3 7 350 2/10,3	87,6 9 930 2/10,7	134 14 580 2/10,2	183 19 340 2/9,95	248 28 230 2/10,7	314 34 670 2/10,4	444 48 530 2/10,3	555 60 670 2/10,3	643 72 820 2/10,7	10	900	
	9	-	-	-	-	-	-	-	35,9 3 950 2/9,22	56,2 6 200 2/9,24	64,5 7 170 2/9,31	138 14 620 2/8,85	178 18 870 2/8,88	247 27 070 2/9,19	298 32 800 2/9,22	473 52 220 2/9,24	592 65 280 2/9,24	593 65 910 2/9,31	9	800	
8	1,91 205 2/8,01	3,48 385 2/8,26	4,53 485 2/7,99	7,16 775 2/8,03	8,82 955 2/8,03	15,8 1 700 2/8,01	31 3 450 2/8,26	-	57,6 6 230 2/8,03	-	142 15 290 2/8,01	-	229 25 450 2/8,26	-	435 47 040 2/8,03	544 58 810 2/8,03	-	8	710		
6,3	1,37 150 2/6,42	3,1 345 2/6,53	3,52 410 2/6,86	5,69 620 2/6,41	7,08 775 2/6,41	14,2 1 550 2/6,42	22,4 2 500 2/6,53	-	45,7 5 000 2/6,41	-	105 11 500 2/6,42	-	206 23 000 2/6,53	-	366 40 000 2/6,41	422 46 200 2/6,41	-	6,3	560		
1 000 000	160	-	-	-	-	1 030 3/151	2 060 3/153	-	-	-	-	-	-	-	-	-	-	-			
	125	-	-	-	-	1 250 3/123	2 500 3/123	3 150 3/123	4 750 3/128	6 700 3/131	9 750 3/119	13 600 3/123	19 500 3/125	27 200 3/123	33 500 3/127	40 000 3/127	54 500 3/131				
	100	-	-	-	-	1 320 3/103	2 650 3/101	3 870 3/100	5 800 3/107	8 250 3/108	11 800 3/100	16 500 3/98,5	23 600 3/98,5	33 330 3/100	41 200 3/105	50 000 3/105	57 760 3/103				
	90	-	-	-	-	-	-	4 120 3/89,4	6 150 3/93,7	8 250 3/93,3	12 500 3/86,4	17 500 3/88,8	25 000 3/89	30 860 3/89,7	41 900 3/90,1	52 380 3/90,1	57 050 3/92,7				

For n_1 lower than 560 min⁻¹ see page 107.

▲ Possible forced lubrication with heat exchanger: consult us.

$n_{N2} \cdot L_h$ min ⁻¹ · h	i_N	P_{N2} kW																i_N	n_1	n_{N2} min ⁻¹	
		M_{N2} N m																			
		i																			
		50	63	64	80	81	100	125	140	160	180	200	225	250	280	320	321	360			
1 000 000	80	-	270 31/75,2	335 31/78,2	520 31/82,7	615 31/82,7	1 220 31/75,5	2 430 31/75,3	4 120 31/81,4	6 150 31/85,7	8 960 31/86,1	12 500 31/84	17 500 31/82,7	25 000 31/82,7	33 570 31/84,3	43 700 31/82,5	53 000 31/82,5	57 750 31/81,1			
	71	-	-	-	-	-	-	-	4 370 31/72,8	6 500 31/74,9	9 250 31/74,6	13 200 31/72,6	18 500 31/74,5	27 070 31/74,7	31 080 31/75,3	41 880 31/71	52 340 31/71	60 170 31/73			
	63	-	335 31/60,1	380 31/62,6	620 31/66,3	730 31/66,3	1 450 31/61,5	2 900 31/60,2	4 420 31/62	6 500 31/63,5	8 940 31/63,8	13 160 31/62,6	18 780 31/61,7	26 410 31/61,5	32 600 31/62,7	45 610 31/67,1	56 000 31/67,1	59 270 31/66			
	56	-	-	-	-	-	-	-	4 370 31/55,4	6 700 31/55,5	8 480 31/55,3	13 600 31/54,1	19 000 31/55,5	27 010 31/55,6	30 880 31/56	41 730 31/57,8	52 170 31/57,8	61 760 31/59,4			
	50	-	335 31/49,4	430 31/51,5	735 31/49,8	865 31/49,8	1 500 31/51,2	3 000 31/49,5	4 420 31/50,4	6 630 31/50,8	8 940 31/51	13 180 31/52,6	18 810 31/51,8	26 450 31/51,7	32 590 31/52,7	45 590 31/52,9	56 990 31/52,9	60 870 31/52			
	45	-	-	-	-	-	-	-	4 620 31/45,1	6 900 31/44,4	9 840 31/44,2	14 010 31/45,4	19 850 31/46,6	27 060 31/46,7	31 770 31/47,1	41 630 31/45,5	52 040 31/45,5	63 530 31/46,8			
	40	-	345 31/40,8	380 31/42,5	620 31/43,6	730 31/43,6	1 550 31/39,1	3 040 31/40,8	4 520 31/38,7	6 900 31/38,5	9 270 31/39,9	14 000 31/41,5	19 580 31/40,4	28 210 31/42,4	32 220 31/41,2	40 850 31/40,7	50 830 31/40,7	64 450 31/42,3			
	35,5	-	-	-	-	-	-	-	35,5 4 540 31/37,5	58,1 7 230 31/36,5	70,5 8 740 31/36,3	119 14 000 31/34,4	149 18 020 31/35,4	215 27 060 31/36,9	258 32 680 31/37,2	325 41 430 31/37,4▲	405 51 610 31/37,4▲	498 65 360 31/38,4▲	35,5	2800	80
	31,5	-	2,7 345 31/33,5	2,9 385 31/34,9	5,89 735 31/32,8	6,93 865 31/32,8	11,7 1 450 31/32,6	21,9 2 800 31/33,5	32,8 4 030 31/32,2	58,6 7 080 31/31,6	65,1 8 160 31/32,8	122 14 630 31/31,5	144 16 800 31/30,6	210 26 920 31/33,5	266 33 130 31/32,5	329 41 990 31/33,5	409 52 250 31/33,5	500 66 250 31/34,7	31,5	2500	
	28	-	-	-	-	-	9,86 1 210 21/28,8	-	30,3 3 760 31/29,1	49,2 5 960 31/28,4	57,4 6 990 31/28,6	115 13 350 31/27,2	135 15 710 31/27,3	198 24 300 31/28,7	255 31 390 31/28,8	332 42 540 31/30	413 52 940 31/30	500 64 450 31/30,3	28	2240	
	25	1,09 125 21/24,4	2,56 295 21/24,1	2,89 345 21/25,1	4,42 550 21/26	5,11 635 21/26	11,7 1 330 21/23,7	22 2 530 21/24,1	30,8 3 550 21/24,1	47,3 5 560 21/24,6	66,7 8 070 21/25,4	96,9 11 220 21/24,2	136 16 170 21/25	194 23 100 21/25	264 31 040 21/24,6	294 35 140 21/25	399 47 610 21/25	552 67 850 21/25,7	25	2000	
	22,4	-	-	-	-	-	-	-	35,4 4 080 21/21,7	53,1 6 340 21/22,5	72,3 8 950 21/23,3	103 12 090 21/22,2	144 17 510 21/23	202 23 530 21/22	288 33 830 21/22,2	322 39 030 21/22,8	404 48 980 21/22,8	564 69 840 21/23,4	22,4	1800	
	20	1,24 150 21/20,1	3,15 360 21/19,3	3,15 380 21/20,1	5,23 650 21/20,8	6,06 755 21/20,8	13,4 1 540 21/19,3	26,3 3 030 21/19,3	37,7 4 420 21/19,6	53,8 6 640 21/20,7	72,1 8 940 21/20,8	108 13 170 21/20,3	157 18 790 21/20	225 26 410 21/19,7	286 34 230 21/20,1	341 41 990 21/20,6	462 56 940 21/20,6	614 74 400 21/20,3	20	1600	
	18	-	-	-	-	-	-	-	38,6 4 620 21/17,6	58,6 7 230 21/18,1	75,1 9 220 21/18	117 14 010 21/17,6	161 19 840 21/18,1	223 27 030 21/17,8	293 35 900 21/17,9	363 43 960 21/17,8	452 54 750 21/17,8	607 75 600 21/18,3	18	1400	
	16	1,41 175 21/16,3	3,2 385 21/15,8	3,4 430 21/16,5	6,11 730 21/15,7	7,23 865 21/15,7	13,8 1 700 21/16,1	28 3 390 21/15,8	36,3 4 180 21/15,1	61,6 7 370 21/15,7	70,5 8 950 21/16,6	119 14 640 21/16,1	161 19 190 21/15,6	229 28 310 21/16,2	283 33 890 21/15,7	401 48 700 21/15,9	501 60 870 21/15,9	609 74 420 21/16	16	1250	
	14	-	-	-	-	-	-	-	32,6 4 090 21/14,7	60,5 7 260 21/14,1	80,2 9 850 21/14,4	124 14 670 21/13,9	141 17 520 21/14,6	190 23 580 21/14,6	270 33 900 21/14,7	415 50 560 21/14,3	519 63 200 21/14,3	624 76 590 21/14,4	14	1120	
12,5	1,49 175 21/12,3	2,91 365 21/13,1	2,93 380 21/13,6	5,05 660 21/13,7	5,84 765 21/13,7	13,2 1 540 21/12,3	24,3 3 040 21/13,1	34,8 4 430 21/13,3	51,3 6 650 21/13,6	68,7 8 960 21/13,6	107 13 170 21/13	154 18 800 21/12,8	212 26 460 21/13,1	270 34 300 21/13,3	332 42 420 21/13,4	447 57 000 21/13,4	593 74 480 21/13,1	12,5	1000		
11,2	-	-	-	-	-	-	-	36,6 4 630 21/11,9	57,4 7 230 21/11,9	78,5 9 860 21/11,8	118 14 000 21/11,2	163 19 810 21/11,5	216 27 060 21/11,8	289 36 480 21/11,9	360 43 980 21/11,5	449 54 770 21/11,5	615 77 140 21/11,8	11,2	900		

For n_1 lower than 560 min⁻¹ see page 107.

▲ Possible forced lubrication with heat exchanger: consult us.

Helical gear reducer selection tables

7

$n_{N2} \cdot L_h$ min ⁻¹ · h	i_N	P_{N2} kW																i_N	n_1	n_{N2} min ⁻¹		
		M_{N2} N m																				
		50	63	64	80	81	100	125	140	160	180	200	225	250	280	320	321				360	
1 000 000	10	1,61 195 21/10,2	3,02 385 21/10,7	3,21 430 21/11,2	5,99 735 21/10,3	7,05 865 21/10,3	13,9 1 700 21/10,2	26,5 3 390 21/10,7	35,9 4 370 21/10,2	60,1 7 380 21/10,3	77,9 9 930 21/10,7	120 14 640 21/10,2	169 20 040 21/9,95	221 28 340 21/10,7	281 34 900 21/10,4	396 48 710 21/10,3	495 60 890 21/10,3	592 75 440 21/10,7	10	800	80	
	9	-	-	-	-	-	-	31,8 3 950 21/9,22	50,2 6 240 21/9,24	57,6 7 220 21/9,31	123 14 670 21/8,85	159 18 930 21/8,88	227 28 050 21/9,19	266 33 010 21/9,22	423 52 600 21/9,24	529 65 750 21/9,24	544 68 160 21/9,31	9	710			
	8	1,7 205 21/8,01	3,09 385 21/8,26	4,02 485 21/7,99	6,37 775 21/8,03	7,86 955 21/8,03	14 1 700 21/8,01	27,5 3 450 21/8,26	-	51,5 6 270 21/8,03	-	128 15 500 21/8,01	-	209 26 150 21/8,26	-	401 48 760 21/8,03	501 60 950 21/8,03	-	8	630		
900 000	160	-	-	-	-	1 060 31/151	2 120 31/153	-	-	-	-	-	-	-	-	-	-	-				
	125	-	-	-	-	1 280 31/123	2 570 31/123	3 250 31/123	4 870 31/128	6 900 31/131	10 000 31/119	14 000 31/123	20 000 31/125	28 000 31/123	34 500 31/127	41 200 31/127	56 000 31/131					
	100	-	-	-	-	1 360 31/103	2 720 31/101	4 000 31/100	6 000 31/107	8 500 31/108	12 200 31/100	17 000 31/98,5	24 300 31/98,5	34 360 31/100	42 500 31/105	51 500 31/105	59 860 31/103					
	90	-	-	-	-	-	-	4 250 31/89,4	6 300 31/93,7	8 530 31/93,3	12 800 31/86,4	18 000 31/88,8	25 700 31/89	31 990 31/89,7	43 170 31/90,1	53 960 31/90,1	58 560 31/92,7					
	80	-	280 31/75,2	345 31/78,2	525 31/82,7	615 31/82,7	1 250 31/75,5	2 540 31/75,3	4 250 31/81,4	6 300 31/85,7	8 990 31/86,1	13 230 31/84	18 000 31/82,7	25 700 31/82,7	34 430 31/84,3	45 740 31/82,5	54 500 31/82,5	59 820 31/81,1				
	71	-	-	-	-	-	-	4 500 31/72,8	6 700 31/74,9	9 500 31/74,6	13 600 31/72,6	19 000 31/74,5	27 170 31/74,7	32 150 31/75,3	43 160 31/71	53 950 31/71	60 990 31/73					
	63	-	335 31/60,1	380 31/62,6	620 31/66,3	730 31/66,3	1 500 31/61,5	3 040 31/60,2	4 430 31/62	6 660 31/63,5	8 970 31/63,8	13 200 31/62,6	18 850 31/61,7	26 500 31/61,5	33 650 31/62,7	45 760 31/67,1	57 200 31/67,1	60 020 31/66				
	56	-	-	-	-	-	-	4 580 31/55,4	6 700 31/55,5	8 510 31/55,3	14 040 31/54,1	19 500 31/55,5	27 110 31/55,6	31 320 31/56	43 180 31/57,8	53 980 31/57,8	62 640 31/59,4					
	50	-	345 31/49,4	430 31/51,5	740 31/49,8	870 31/49,8	1 550 31/51,2	3 070 31/49,5	4 440 31/50,4	6 660 31/50,8	8 970 31/51	13 230 31/52,6	18 880 31/51,8	26 550 31/51,7	33 770 31/52,7	45 760 31/52,9	57 200 31/52,9	61 750 31/52				
	45	-	-	-	-	-	-	4 640 31/45,1	6 900 31/44,4	9 880 31/44,2	14 070 31/45,4	19 930 31/46,6	27 160 31/46,7	32 220 31/47,1	43 150 31/45,5	53 940 31/45,5	64 450 31/46,8					
	40	-	2,55 355 31/40,8	2,62 380 31/42,5	4,19 620 31/43,6	4,93 730 31/43,6	11,6 1 550 31/39,1	21,9 3 050 31/40,8	34,7 4 580 31/38,7	54,1 7 100 31/38,5	68,7 9 350 31/39,9	104 14 710 31/41,5	146 20 100 31/40,4	197 28 450 31/42,4	233 32 680 31/41,2	298 41 430 31/40,7▲	371 51 550 31/40,7▲	454 65 360 31/42,3▲	40	2800	71	
	35,5	-	-	-	-	-	-	4 640 31/37,5	7 250 31/36,5	9 040 31/36,3	14 050 31/34,4	18 640 31/35,4	27 160 31/36,9	33 130 31/37,2	42 710 31/37,4	53 390 31/37,4	66 250 31/38,4			35,5	2500	
31,5	-	2,42 345 31/33,5	2,6 385 31/34,9	5,29 740 31/32,8	6,23 870 31/32,8	10,8 1 500 31/32,6	20,2 2 900 31/33,5	30,3 4 170 31/32,2	54,3 7 320 31/31,6	60,3 8 440 31/32,8	109 14 680 31/31,5	130 17 020 31/30,6	195 27 820 31/33,5	242 33 560 31/32,5	298 42 540 31/33,5	371 52 940 31/33,5	454 67 130 31/34,7	31,5	2240			
28	-	-	-	-	-	8,84 1 220 21/28,8	-	28 3 890 31/29,1	44,5 6 040 31/28,4	51,9 7 090 31/28,6	106 13 810 31/27,2	122 15 920 31/27,3	180 24 640 31/28,7	231 31 820 31/28,8	301 43 120 31/30	374 53 670 31/30	452 65 330 31/30,3	28	2000			
25	0,99 130 21/24,4	2,31 295 21/24,1	2,61 345 21/25,1	4,03 555 21/26	4,65 640 21/26	10,6 1 330 21/23,7	19,9 2 540 21/24,1	27,9 3 560 21/24,1	42,7 5 580 21/24,6	60,2 8 100 21/25,4	87,5 11 250 21/24,2	122 16 220 21/25	175 23 180 21/25	238 31 140 21/24,6	273 36 200 21/25	360 47 770 21/25	498 68 080 21/25,7	25	1800			

For n_1 lower than 560 min⁻¹ see page 107.

▲ Possible forced lubrication with heat exchanger: consult us.

$n_{N2} \cdot L_h$ min ⁻¹ · h	i_N	P_{N2} kW																i_N	n_1 min ⁻¹	n_{N2}	
		M_{N2} N m																			
		... / i																			
		50	63	64	80	81	100	125	140	160	180	200	225	250	280	320	321	360			
900 000	22,4	-	-	-	-	-	-	-	31,6 4 090 21/21,7	47,4 6 360 21/22,5	64,5 8 980 21/23,3	91,8 12 140 21/22,2	128 17 570 21/23	180 23 620 21/22	257 33 960 21/22,2	290 39 590 21/22,8	361 49 160 21/22,8	519 72 350 21/23,4	22,4	1600	71
	20	1,09 150 21/20,1	2,77 365 21/19,3	2,79 380 21/20,1	4,65 660 21/20,8	5,39 765 21/20,8	11,8 1 550 21/19,3	23,1 3 040 21/19,3	33,1 4 430 21/19,6	47,3 6 660 21/20,7	63,4 8 980 21/20,8	95,2 13 220 21/20,3	138 18 870 21/20	197 26 520 21/19,7	251 34 380 21/20,1	303 42 660 21/20,6	406 57 180 21/20,6	539 74 710 21/20,3	20	1400	
	18	-	-	-	-	-	-	-	34,6 4 630 21/17,6	52,5 7 250 21/18,1	67,3 9 260 21/17,6	105 14 060 21/17,6	144 19 910 21/18,1	200 27 130 21/17,8	271 37 140 21/17,9	326 44 240 21/17,8	406 55 080 21/17,8	561 78 280 21/18,3	18	1250	
	16	1,26 175 21/16,3	2,87 385 21/15,8	3,05 430 21/16,5	5,5 735 21/15,7	6,5 870 21/15,7	12,4 1 700 21/16,1	25,2 3 400 21/15,8	32,7 4 200 21/15,1	55,4 7 400 21/15,7	63,4 8 980 21/16,6	107 14 690 21/16,1	144 19 250 21/15,6	206 28 410 21/16,2	262 35 030 21/15,7	360 48 870 21/15,9	450 61 080 21/15,9	547 74 680 21/16	16	1120	
	14	-	-	-	-	-	-	-	29,2 4 100 21/14,7	54,2 7 280 21/14,1	71,9 9 880 21/14,4	111 14 720 21/13,9	126 17 580 21/14,6	170 23 660 21/14,6	242 34 020 21/14,7	384 52 310 21/14,3	480 65 390 21/14,3	576 79 240 21/14,4	14	1000	
	12,5	1,35 175 21/12,3	2,63 365 21/13,1	2,65 380 21/13,6	4,56 660 21/13,7	5,27 765 21/13,7	11,9 1 550 21/12,3	22 3 050 21/13,1	31,4 4 440 21/13,3	46,3 6 670 21/13,6	62,1 8 990 21/13,6	96,2 13 220 21/13	139 18 870 21/12,8	191 26 550 21/13,1	244 34 410 21/13,3	301 42 680 21/13,4	403 57 190 21/13,4	536 74 730 21/13,1	12,5	900	
	11,2	-	-	-	-	-	-	-	32,7 4 640 21/11,9	51,2 7 260 21/11,9	70,1 9 890 21/11,8	105 14 050 21/11,2	145 19 910 21/11,5	193 27 160 21/11,8	266 37 800 21/11,9	322 44 260 21/11,5	401 55 120 21/11,5	566 79 910 21/11,8	11,2	800	
	10	1,44 200 21/10,2	2,68 385 21/10,7	2,86 430 21/11,2	5,34 740 21/10,3	6,28 870 21/10,3	12,3 1 700 21/10,2	23,6 3 410 21/10,7	31,8 4 370 21/10,2	53,5 7 410 21/10,3	69,1 9 930 21/10,7	107 14 690 21/10,2	155 20 770 21/9,95	197 28 450 21/10,7	252 35 330 21/10,4	353 48 900 21/10,3	441 61 120 21/10,3	544 78 190 21/10,7	10	710	
	9	-	-	-	-	-	-	-	28,3 3 950 21/9,22	44,8 6 280 21/9,24	51,5 7 270 21/9,31	110 14 730 21/8,85	141 18 930 21/8,88	208 29 000 21/9,19	238 33 220 21/9,22	377 52 800 21/9,24	471 66 000 21/9,24	501 70 650 21/9,31	9	630	
	8	1,51 205 21/8,01	2,75 385 21/8,26	3,58 485 21/7,99	5,66 775 21/8,03	7,01 960 21/8,03	12,4 1 700 21/8,01	24,5 3 450 21/8,26	-	46 6 300 21/8,03	-	114 15 500 21/8,01	-	192 27 090 21/8,26	-	369 50 520 21/8,03	461 63 150 21/8,03	-	8	560	
800 000	160	-	-	-	-	-	1 090 31/151	2 180 31/153	-	-	-	-	-	-	-	-	-	-			
	125	-	-	-	-	-	1 320 31/123	2 650 31/123	3 350 31/123	5 000 31/128	7 100 31/131	10 300 31/119	14 500 31/123	20 600 31/125	29 000 31/123	35 500 31/127	42 500 31/127	58 000 31/131			
	100	-	-	-	-	-	1 400 31/103	2 800 31/101	4 120 31/100	6 150 31/107	9 020 31/108	12 500 31/100	17 500 31/98,5	25 000 31/98,5	34 490 31/100	43 700 31/105	53 000 31/105	62 050 31/103			
	90	-	-	-	-	-	-	-	4 370 31/89,4	6 500 31/93,7	8 560 31/93,3	13 200 31/86,4	18 500 31/88,8	27 220 31/89	33 140 31/89,7	43 330 31/90,1	54 160 31/90,1	60 170 31/92,7			
	80	-	290 31/75,2	350 31/78,2	525 31/82,7	620 31/82,7	1 280 31/75,5	2 550 31/75,3	4 370 31/81,4	6 500 31/85,7	9 020 31/86,1	13 280 31/84	18 500 31/82,7	26 660 31/82,7	34 550 31/84,3	45 910 31/82,5	56 000 31/82,5	61 890 31/81,1			
	71	-	-	-	-	-	-	-	4 500 31/72,8	6 700 31/74,9	9 500 31/74,6	13 600 31/72,6	19 000 31/74,5	27 260 31/74,7	33 180 31/75,3	43 300 31/71	54 130 31/71	61 760 31/73			
	63	-	335 31/60,1	380 31/62,6	625 31/66,3	735 31/66,3	1 500 31/61,5	3 050 31/60,2	4 450 31/62	6 680 31/63,5	9 000 31/63,8	13 250 31/62,6	18 920 31/61,7	26 600 31/61,5	34 480 31/62,7	45 930 31/67,1	57 410 31/67,1	61 770 31/66			
	56	-	-	-	-	-	-	-	4 590 31/55,4	6 900 31/55,5	8 540 31/55,3	14 090 31/54,1	19 960 31/55,5	27 210 31/55,6	32 280 31/56	43 350 31/57,8	54 180 31/57,8	63 530 31/59,4			

For n_1 lower than 560 min⁻¹ see page 107.

$n_{N2} \cdot L_h$ min ⁻¹ · h	i_N	P_{N2} kW																i_N	n_1	n_{N2}		
		M_{N2} N m																				
		... / i																				
		50	63	64	80	81	100	125	140	160	180	200	225	250	280	320	321	360				
800 000	50	-	345 3/49,4	430 3/51,5	740 3/49,8	870 3/49,8	1 550 3/51,2	3 070 3/49,5	4 450 3/50,4	6 680 3/50,8	9 010 3/51	13 280 3/52,6	18 950 3/51,8	26 650 3/51,7	34 540 3/52,7	45 930 3/52,9	57 420 3/52,9	62 630 3/52				
	45	-	-	-	-	-	-	-	30,3 4 650 3/45,1	46,9 7 100 3/44,4	65,7 9 910 3/44,2	91,1 14 120 3/45,4	126 20 000 3/46,6	171 27 270 3/46,7	204 32 680 3/47,1	279 43 340 3/45,5▲	349 54 180 3/45,5▲	409 65 360 3/46,8▲	45	2800	63	
	40	-	2,35 365 3/40,8	2,35 380 3/42,5	3,76 625 3/43,6	4,41 735 3/43,6	10,4 1 560 3/39,1	19,6 3 060 3/40,8	31,1 4 600 3/38,7	48,3 7 100 3/38,5	61,5 9 380 3/39,9	93 14 760 3/41,5	131 20 170 3/40,4	176 28 550 3/42,4	211 33 130 3/41,2	270 41 990 3/41,2	336 52 250 3/40,7	410 66 250 3/42,3	40	2500		
	35,5	-	-	-	-	-	-	-	29,1 4 660 3/37,5	46,8 7 280 3/36,5	60,3 9 340 3/36,3	96 14 100 3/34,4	128 19 260 3/35,4	173 27 250 3/36,9	212 33 560 3/37,2	272 43 380 3/37,4	340 54 230 3/37,4	410 67 130 3/38,4	35,5	2240		
	31,5	-	2,22 355 3/33,5	2,32 385 3/34,9	4,74 740 3/32,8	5,58 875 3/32,8	9,65 1 500 3/32,6	18,7 3 000 3/33,5	28 4 310 3/32,2	49,2 7 430 3/31,6	55,7 8 730 3/32,8	98 14 730 3/31,5	118 17 270 3/30,6	178 28 540 3/33,5	219 34 020 3/32,5	270 43 120 3/33,5	336 53 670 3/33,5	411 68 040 3/34,7	31,5	2000		
	28	-	-	-	-	-	7,98 1 220 2/28,8	-	4 020 3/29,1	40,6 6 110 3/28,4	47,3 7 180 3/28,6	98,7 14 260 3/27,2	111 16 120 3/27,3	167 25 430 3/28,7	211 32 220 3/28,8	274 43 670 3/30	341 54 340 3/30	412 66 160 3/30,3	28	1800		
	25	0,88 130 2/24,4	2,06 295 2/24,1	2,33 350 2/25,1	3,63 565 2/26	4,19 650 2/26	9,45 1 340 2/23,7	17,7 2 550 2/24,1	24,9 3 570 2/24,1	38,1 5 600 2/24,6	53,7 8 130 2/25,4	78,1 11 300 2/24,2	109 16 280 2/25	156 23 260 2/25	213 31 260 2/24,6	251 37 500 2/25	321 47 940 2/25	445 68 330 2/25,7	25	1600		
	22,4	-	-	-	-	-	-	-	27,8 4 110 2/21,7	41,6 6 390 2/22,5	56,7 9 020 2/23,3	80,7 12 190 2/22,2	113 17 650 2/23	158 23 720 2/22	226 34 100 2/22,2	258 40 220 2/22,8	317 49 370 2/22,8	467 74 330 2/23,4	22,4	1400		
	20	0,98 150 2/20,1	2,48 365 2/19,3	2,5 385 2/20,1	4,17 665 2/20,8	4,82 770 2/20,8	10,5 1 560 2/19,3	20,7 3 050 2/19,3	29,7 4 450 2/19,6	42,4 6 690 2/20,7	56,8 9 010 2/20,8	85,3 13 270 2/20,3	124 18 940 2/20	177 26 620 2/19,7	225 34 500 2/20,1	272 42 940 2/20,6	364 57 390 2/20,6	483 74 980 2/20,3	20	1250		
	18	-	-	-	-	-	-	-	31,1 4 650 2/17,6	47,2 7 280 2/18,1	60,5 9 290 2/18	94,1 14 100 2/17,6	130 19 980 2/18,1	179 27 220 2/17,8	251 38 380 2/17,9	294 44 500 2/17,8	366 55 400 2/17,8	519 80 900 2/18,3	18	1120		
	16	1,13 175 2/16,3	2,56 385 2/15,8	2,74 430 2/16,5	4,93 735 2/15,7	5,83 870 2/15,7	11,1 1 700 2/16,1	22,6 3 410 2/15,8	29,3 4 210 2/15,1	49,6 7 430 2/15,7	56,8 9 010 2/16,6	96 14 740 2/16,1	129 19 320 2/15,6	185 28 510 2/16,2	242 36 240 2/15,7	323 49 040 2/15,9	404 61 300 2/15,9	490 74 950 2/16	16	1000		
	14	-	-	-	-	-	-	-	26,4 4 120 2/14,7	49 7 310 2/14,1	64,9 9 920 2/14,4	100 14 770 2/13,9	114 17 640 2/14,6	153 23 740 2/14,6	219 34 140 2/14,7	349 52 930 2/14,3	437 66 160 2/14,3	535 81 780 2/14,4	14	900		
	12,5	1,2 175 2/12,3	2,35 365 2/13,1	2,36 385 2/13,6	4,06 665 2/13,7	4,7 770 2/13,7	10,6 1 560 2/12,3	19,6 3 060 2/13,1	28 4 460 2/13,3	41,3 6 690 2/13,6	55,4 9 020 2/13,6	85,8 13 270 2/13	124 18 940 2/12,8	171 26 650 2/13,1	217 34 540 2/13,3	269 42 960 2/13,4	360 57 410 2/13,4	478 75 000 2/13,1	12,5	800		
11,2	-	-	-	-	-	-	-	29,1 4 660 2/11,9	45,6 7 290 2/11,8	62,4 9 930 2/11,8	93,7 14 110 2/11,2	129 19 980 2/11,5	171 27 200 2/11,8	243 38 950 2/11,9	288 44 550 2/11,5	359 55 470 2/11,5	521 82 830 2/11,8	11,2	710			
10	1,28 200 2/10,2	2,38 385 2/10,7	2,55 435 2/11,2	4,75 740 2/10,3	5,59 875 2/10,3	11 1 700 2/10,2	21 3 420 2/10,7	28,2 4 370 2/10,2	47,7 7 440 2/10,3	61,3 9 930 2/10,7	95,1 14 750 2/10,2	141 21 200 2/9,95	175 28 550 2/10,7	232 36 620 2/10,4	314 49 080 2/10,3	393 61 350 2/10,3	501 81 040 2/10,7	10	630			
9	-	-	-	-	-	-	-	25,1 3 950 2/9,22	40 6 300 2/9,24	46 7 300 2/9,31	98 14 780 2/8,85	125 18 930 2/8,88	185 29 000 2/9,19	214 33 600 2/9,22	336 53 000 2/9,24	420 66 240 2/9,24	461 73 190 2/9,31	9	560			
710 000	160	-	-	-	-	1 120 3/151	2 240 3/153	-	-	-	-	-	-	-	-	-	-	-				
	125	-	-	-	-	1 360 3/123	2 720 3/123	3 450 3/123	5 150 3/128	7 300 3/131	10 600 3/119	14 500 3/123	21 200 3/125	29 000 3/123	36 500 3/127	43 700 3/127	58 000 3/131					

For n_1 lower than 560 min⁻¹ see page 107.

▲ Possible forced lubrication with heat exchanger: consult us.

$n_{N2} \cdot L_h$ min ⁻¹ · h	i_N	P_{N2} kW																i_N	n_1	n_{N2} min ⁻¹			
		M_{N2} N m																					
		... / i																					
		50	63	64	80	81	100	125	140	160	180	200	225	250	280	320	321	360					
710 000	100	-	-	-	-	-	1 450 31/103	2 900 31/101	4 250 31/100	6 300 31/107	9 050 31/108	12 800 31/100	18 000 31/98,5	25 700 31/98,5	34 620 31/100	46 090 31/105	54 500 31/105	64 280 31/103					
	90	-	-	-	-	-	-	-	4 500 31/89,4	6 700 31/93,7	8 590 31/93,3	13 600 31/86,4	19 000 31/88,8	27 320 31/89	34 290 31/89,7	43 490 31/90,1	54 360 31/90,1	60 990 31/92,7					
	80	-	290 31/75,2	350 31/78,2	525 31/82,7	620 31/82,7	1 280 31/75,5	2 560 31/75,3	4 470 31/81,4	6 500 31/85,7	9 050 31/86,1	13 330 31/84	19 020 31/82,7	26 750 31/82,7	34 670 31/84,3	46 060 31/82,5	57 580 31/82,5	63 880 31/81,1					
	71	-	-	-	-	-	-	-	4 670 31/72,8	6 700 31/74,9	9 750 31/74,6	13 600 31/72,6	19 500 31/74,5	27 360 31/74,7	34 380 31/75,3	43 470 31/71	54 330 31/71	62 640 31/73					
	63	-	345 31/60,1	380 31/62,6	625 31/66,3	735 31/66,3	1 560 31/61,5	3 060 31/60,2	4 470 31/62	6 700 31/63,5	9 040 31/63,8	13 300 31/62,6	18 990 31/61,7	26 700 31/61,5	34 600 31/62,7	46 100 31/67,1	57 630 31/67,1	64 020 31/66					
	56	-	-	-	-	-	-	-	4 610 31/55,4	6 900 31/55,5	8 570 31/55,3	14 140 31/54,1	20 040 31/55,5	27 310 31/55,6	33 460 31/56	43 510 31/57,8	54 390 31/57,8	64 450 31/59,4					
	50	-	2,11 31/49,4	2,46 31/51,5	4,38 31/49,8	5,15 31/49,8	8,88 31/51,2	18,7 31/49,5	26 31/50,4	38,7 31/50,8	51,9 31/51	74,3 31/52,6	108 31/51,8	152 31/51,7	193 31/52,7	256 31/52,9▲	320 31/52,9▲	360 31/52▲	50	2800	56		
	45	-	-	-	-	-	-	-	27,1 31/45,1	43 31/44,4	58,9 31/44,2	81,7 31/45,4	113 31/46,6	153 31/46,7	187 31/47,1	250 31/45,5	313 31/45,5	371 31/46,8	45	2500			
	40	-	2,11 31/40,8	2,11 31/42,5	3,41 31/43,6	3,97 31/43,6	9,37 31/39,1	17,6 31/40,8	28 31/38,7	44,5 31/38,5	55,3 31/39,9	83,6 31/41,5	118 31/40,4	158 31/42,4	191 31/41,2	246 31/40,7	308 31/40,7	373 31/42,3	40	2240			
	35,5	-	-	-	-	-	-	-	26,1 31/37,5	41,9 31/36,5	55,7 31/36,3	86 31/34,4	118 31/35,4	155 31/36,9	192 31/37,2	244 31/37,4	305 31/37,4	371 31/38,4	35,5	2000			
	31,5	-	2 31/33,5	2,16 31/34,9	4,28 31/32,8	5,04 31/32,8	8,97 31/32,6	17,4 31/33,5	26 31/32,2	44,4 31/31,6	51,8 31/32,8	88,5 31/31,5	110 31/30,6	161 31/33,5	200 31/32,5	246 31/33,5	306 31/33,5	374 31/34,7	31,5	1800			
	28	-	-	-	-	-	7,12 21/28,8	-	24 31/29,1	36,6 31/28,4	42,7 31/28,6	90,9 31/27,2	101 31/27,3	154 31/28,7	190 31/28,8	247 31/30	307 31/30	372 31/30,3	28	1600			
	25	0,77 21/24,4	1,81 21/24,1	2,05 21/25,1	3,23 21/26	3,73 21/26	8,3 21/23,7	15,6 21/24,1	21,8 21/24,1	33,5 21/24,6	47,2 21/25,4	68,6 21/24,2	96 21/25	137 21/25	187 21/24,6	229 21/25	282 21/25	391 21/25,7	25	1400			
	22,4	-	-	-	-	-	-	-	24,9 21/21,7	37,3 21/22,5	50,8 21/23,3	72,3 21/22,2	101 21/23	142 21/22	202 21/22,2	232 21/22,8	284 21/22,8	418 21/23,4	22,4	1250			
20	0,88 21/20,1	2,23 21/19,3	2,24 21/20,1	3,75 21/20,8	4,34 21/20,8	9,48 21/19,3	18,6 21/19,3	26,7 21/19,6	38,1 21/20,7	51,1 21/20,8	76,7 21/20,3	111 21/20	159 21/19,7	202 21/20,1	245 21/20,6	327 21/20,6	435 21/20,3	20	1120				
18	-	-	-	-	-	-	-	27,8 21/17,6	42,3 21/18,1	54,2 21/18	84,3 21/17,6	116 21/18,1	161 21/17,8	228 21/17,9	264 21/17,8	328 21/17,8	479 21/18,3	18	1000				
16	1,02 21/16,3	2,3 21/15,8	2,47 21/16,5	4,45 21/15,7	5,26 21/15,7	9,96 21/16,1	20,4 21/15,8	26,4 21/15,1	44,8 21/15,7	51,3 21/16,6	86,7 21/16,1	117 21/15,6	167 21/16,2	222 21/15,7	291 21/15,9	364 21/15,9	443 21/16	16	900				
14	-	-	-	-	-	-	-	23,5 21/14,7	43,7 21/14,1	57,9 21/14,4	89,3 21/13,9	101 21/14,6	137 21/14,6	195 21/14,7	312 21/14,3	390 21/14,3	486 21/14,4	14	800				

For n_1 lower than 560 min⁻¹ see page 107.

▲ Possible forced lubrication with heat exchanger: consult us.

Helical gear reducer selection tables

7

$n_{N2} \cdot L_h$ min ⁻¹ · h	i_N	P_{N2} kW																i_N	n_1 min ⁻¹	n_{N2} min ⁻¹	
		M_{N2} N m																			
		... / i																			
		50	63	64	80	81	100	125	140	160	180	200	225	250	280	320	321	360			
710 000	12,5	1,07 175 21/12,3	2,09 365 21/13,1	2,1 385 21/13,6	3,62 665 21/13,7	4,19 770 21/13,7	9,45 1 560 21/12,3	17,5 3 070 21/13,1	25 4 480 21/13,3	36,7 6 700 21/13,6	49,3 9 060 21/13,6	76,4 13 320 21/13	111 19 000 21/12,8	152 26 750 21/13,1	194 34 670 21/13,3	241 43 250 21/13,4	321 57 620 21/13,4	424 75 000 21/13,1	12,5	710	56
	11,2	-	-	-	-	-	-	-	25,9 4 680 21/11,9	40,5 7 300 21/11,9	55,6 9 970 21/11,8	83,5 14 160 21/11,2	115 20 000 21/11,5	152 27 200 21/11,8	217 39 100 21/11,9	257 44 850 21/11,5	320 55 820 21/11,5	467 83 660 21/11,8	11,2	630	
	10	1,14 200 21/10,2	2,11 385 21/10,7	2,27 435 21/11,2	4,24 745 21/10,3	4,98 875 21/10,3	9,74 1 700 21/10,2	18,7 3 430 21/10,7	25,1 4 370 21/10,2	42,5 7 460 21/10,3	54,5 9 930 21/10,7	84,8 14 800 21/10,2	125 21 200 21/9,95	157 28 660 21/10,7	214 37 930 21/10,4	281 49 260 21/10,3	350 61 500 21/10,3	453 82 500 21/10,7	10	560	
630 000	160	-	-	-	-	-	1 150 31/151	2 300 31/153	-	-	-	-	-	-	-	-	-	-			
	125	-	-	-	-	-	1 400 31/123	2 800 31/123	3 600 31/123	5 300 31/128	7 500 31/131	10 900 31/119	15 000 31/123	21 800 31/125	30 000 31/123	37 500 31/127	45 000 31/127	60 000 31/131			
	100	-	-	-	-	-	1 450 31/103	2 900 31/101	4 370 31/100	6 500 31/107	9 090 31/108	13 350 31/100	18 500 31/98,5	26 810 31/98,5	34 740 31/100	46 250 31/105	56 000 31/105	66 500 31/103			
	90	-	-	-	-	-	-	-	4 500 31/89,4	6 700 31/93,7	8 620 31/93,3	13 600 31/86,4	19 000 31/88,8	27 410 31/89	35 390 31/89,7	43 630 31/90,1	54 540 31/90,1	61 770 31/92,7			
	80	-	300 31/75,2	350 31/78,2	530 31/82,7	625 31/82,7	1 320 31/75,5	2 570 31/75,3	4 490 31/81,4	6 740 31/85,7	9 090 31/86,1	13 370 31/84	19 090 31/82,7	26 850 31/82,7	34 800 31/84,3	46 230 31/82,5	57 790 31/82,5	66 180 31/81,1			
	71	-	-	-	-	-	-	-	4 690 31/72,8	6 900 31/74,9	10 000 31/74,6	14 220 31/72,6	19 500 31/74,5	27 470 31/74,7	35 630 31/75,3	43 630 31/71	54 540 31/71	63 530 31/73			
	63	-	345 31/60,1	385 31/62,6	630 31/66,3	740 31/66,3	1 570 31/61,5	3 070 31/60,2	4 480 31/62	6 730 31/63,5	9 070 31/63,8	13 350 31/62,6	19 060 31/61,7	26 800 31/61,5	34 740 31/62,7	46 280 31/67,1	57 850 31/67,1	66 350 31/66			
	56	-	-	-	-	-	-	-	24,5 4 630 31/55,4	37,5 7 100 31/55,5	45,6 8 600 31/55,3	76,9 14 200 31/54,1	106 20 110 31/55,5	145 27 420 31/55,6	181 34 660 31/56	222 43 670 31/57,8▲	277 54 590 31/57,8▲	323 65 360 31/59,4▲	56	2800	50
	50	-	1,88 355 31/49,4	2,21 435 31/51,5	3,92 745 31/49,8	4,61 880 31/49,8	8,19 1 600 31/51,2	16,7 3 150 31/49,5	23,3 4 490 31/50,4	34,7 6 730 31/50,8	46,5 9 070 31/51	66,6 13 380 31/52,6	96,5 19 090 31/51,8	136 26 850 31/51,7	173 34 800 31/52,7	229 46 270 31/52,9	286 57 830 31/52,9	333 66 070 31/52	50	2500	
	45	-	-	-	-	-	-	-	24,4 4 690 31/45,1	38,7 7 320 31/44,4	52,9 9 980 31/44,2	73,4 14 220 31/45,4	101 20 140 31/46,6	138 27 460 31/46,7	173 34 650 31/47,1	225 43 650 31/45,5	281 54 560 31/45,5	336 67 130 31/46,8	45	2240	
	40	-	1,89 370 31/40,8	1,89 385 31/42,5	3,09 640 31/43,6	3,57 745 31/43,6	8,39 1 570 31/39,1	15,8 3 080 31/40,8	25,1 4 630 31/38,7	40,7 7 470 31/38,5	49,6 9 450 31/39,9	74,9 14 860 31/41,5	105 20 310 31/40,4	142 28 750 31/42,4	173 34 020 31/41,2	228 44 270 31/40,7	285 55 340 31/40,7	337 68 040 31/42,3	40	2000	
	35,5	-	-	-	-	-	-	-	23,6 4 690 31/37,5	37,9 7 330 31/36,5	51,8 9 980 31/36,3	77,7 14 190 31/34,4	107 20 110 31/35,4	140 27 440 31/36,9	175 34 450 31/37,2	220 43 680 31/37,4	275 54 600 31/37,4	338 68 900 31/38,4	35,5	1800	
	31,5	-	1,83 365 31/33,5	1,98 410 31/34,9	3,82 745 31/32,8	4,5 880 31/32,8	7,97 1 550 31/32,6	16 3 200 31/33,5	24 4 610 31/32,2	39,6 7 480 31/31,6	47,7 9 330 31/32,8	78,9 14 840 31/31,5	101 18 460 31/30,6	144 28 740 31/33,5	180 34 940 31/32,5	222 44 290 31/33,5	276 55 110 31/33,5	337 69 880 31/34,7	31,5	1600	
28	-	-	-	-	-	6,25 1 230 21/28,8	-	21,8 4 330 31/29,1	32,5 6 300 31/28,4	37,9 7 400 31/28,6	80,1 14 880 31/27,2	92 17 140 31/27,3	140 27 420 31/28,7	169 33 200 31/28,8	220 45 000 31/30	273 56 000 31/30	330 68 170 31/30,3	28	1400		
25	-	0,69 130 21/24,4	1,62 300 21/24,1	1,83 350 21/25,1	2,89 575 21/26	3,34 665 21/26	7,44 1 350 21/23,7	14 2 570 21/24,1	19,6 3 600 21/24,1	30 5 640 21/24,6	42,3 8 190 21/25,4	61,5 11 380 21/24,2	86 16 410 21/25	123 23 440 21/25	168 31 500 21/24,6	211 40 380 21/25	253 48 320 21/25	350 68 860 21/25,7	25	1250	

For n_1 lower than 560 min⁻¹ see page 107.

▲ Possible forced lubrication with heat exchanger: consult us.

$n_{N2} \cdot L_h$ min ⁻¹ · h	i_N	P_{N2} kW																i_N	n_1 min ⁻¹	n_{N2}		
		M_{N2} N m																				
		... i																				
		50	63	64	80	81	100	125	140	160	180	200	225	250	280	320	321	360				
630 000	22,4	-	-	-	-	-	-	-	22,4 4 140 21/21,7	33,5 6 430 21/22,5	45,7 9 090 21/23,3	65 12 280 21/22,2	90,7 17 770 21/23	127 23 890 21/22	182 34 340 21/22,2	211 41 040 21/22,8	255 49 720 21/22,8	376 74 850 21/23,4	22,4	1120	50	
	20	0,79 150 21/20,1	2 370 21/19,3	2,01 385 21/20,1	3,36 670 21/20,8	3,88 775 21/20,8	8,5 1 570 21/19,3	16,7 3 080 21/19,3	23,9 4 480 21/19,6	34,1 6 740 21/20,7	45,8 9 080 21/20,8	68,8 13 360 21/20,3	99,6 19 070 21/20	143 26 810 21/19,7	181 34 740 21/20,1	221 43 480 21/20,6	293 57 790 21/20,6	389 75 510 21/20,3	20	1000		
	18	-	-	-	-	-	-	-	25,1 4 680 21/17,6	38,2 7 330 21/18,1	49 9 350 21/18	76,1 14 200 21/17,6	105 20 120 21/18,1	145 27 410 21/17,8	206 39 160 21/17,8	239 45 000 21/17,8	297 56 000 21/17,8	432 83 870 21/18,3	18	900		
	16	0,91 180 21/16,3	2,05 385 21/15,8	2,2 435 21/16,5	3,97 740 21/15,7	4,69 880 21/15,7	8,86 1 700 21/16,1	18,2 3 430 21/15,8	23,6 4 240 21/15,1	40 7 480 21/15,7	45,8 9 080 21/16,6	77,3 14 850 21/16,1	104 19 460 21/15,6	149 28 710 21/16,2	198 37 170 21/15,7	260 49 390 21/15,9	325 61 730 21/15,9	395 75 470 21/16	16	800		
	14	-	-	-	-	-	-	-	21 4 150 21/14,7	38,9 7 360 21/14,1	51,6 9 990 21/14,4	79,6 14 880 21/13,9	90,4 17 770 21/14,6	122 23 920 21/14,6	174 34 390 21/14,7	278 53 330 21/14,3	347 66 660 21/14,3	433 83 860 21/14,4	14	710		
	12,5	0,95 180 21/12,3	1,86 370 21/13,1	1,87 385 21/13,6	3,22 670 21/13,7	3,73 775 21/13,7	8,41 1 570 21/12,3	15,5 3 070 21/13,1	22,3 4 490 21/13,3	32,5 6 700 21/13,6	43,9 9 090 21/13,6	68,1 13 370 21/13	98,3 19 000 21/12,8	136 26 850 21/13,1	172 34 800 21/13,3	215 43 550 21/13,4	286 57 840 21/13,4	376 75 000 21/13,1	12,5	630		
	11,2	-	-	-	-	-	-	-	23,1 4 700 21/11,9	36 7 300 21/11,9	49,6 10 000 21/11,8	74,5 14 210 21/11,2	102 20 000 21/11,5	135 27 200 21/11,8	193 39 240 21/11,9	229 45 000 21/11,5	286 56 000 21/11,5	416 83 970 21/11,8	11,2	560		
560 000	160	-	-	-	-	-	1 180 31/151	2 360 31/153	-	-	-	-	-	-	-	-	-	-	-			
	125	-	-	-	-	-	1 450 31/123	2 900 31/123	3 620 31/123	5 450 31/128	7 750 31/131	11 420 31/119	15 500 31/123	22 400 31/125	31 610 31/123	38 700 31/127	46 200 31/127	61 500 31/131				
	100	-	-	-	-	-	1 500 31/103	3 000 31/101	4 370 31/100	6 500 31/107	9 120 31/108	13 400 31/100	18 500 31/98,5	26 890 31/98,5	34 860 31/100	46 410 31/105	56 000 31/105	68 640 31/103				
	90	-	-	-	-	-	-	-	4 650 31/89,4	6 700 31/93,7	8 650 31/93,3	13 600 31/86,4	19 500 31/88,8	27 510 31/89	36 660 31/89,7	43 790 31/90,1	54 740 31/90,1	64 000 31/92,7				
	80	-	300 31/75,2	350 31/78,2	530 31/82,7	625 31/82,7	1 350 31/75,5	2 580 31/75,3	4 500 31/81,4	6 770 31/85,7	9 120 31/86,1	13 430 31/84	19 160 31/82,7	26 950 31/82,7	34 930 31/84,3	46 410 31/82,5	58 010 31/82,5	68 590 31/81,1				
	71	-	-	-	-	-	-	-	4 710 31/72,8	6 900 31/74,9	10 040 31/74,6	14 280 31/72,6	20 220 31/74,5	27 570 31/74,7	36 930 31/75,3	43 790 31/71	54 740 31/71	64 450 31/73				
	63	-	1,73 355 31/60,1	1,8 385 31/62,6	2,79 630 31/66,3	3,28 740 31/66,3	7,51 1 570 31/61,5	15 3 090 31/60,2	21,3 4 500 31/62	31,2 6 760 31/63,5	41,8 9 100 31/63,8	62,8 13 400 31/62,6	90,9 19 130 31/61,7	128 26 900 31/61,5	163 34 860 31/62,7	203 46 450 31/62,7	254 58 060 31/67,1▲	305 68 740 31/67,1▲	63	2800	45	
	56	-	-	-	-	-	-	-	22 4 640 31/55,4	33,5 7 100 31/55,5	40,9 8 630 31/55,3	68,9 14 250 31/54,1	95,1 20 180 31/55,5	129 27 510 31/55,6	168 35 860 31/56	199 43 830 31/57,8	248 54 780 31/57,8	292 66 250 31/59,4	56	2500		
	50	-	1,73 365 31/49,4	1,99 435 31/51,5	3,52 750 31/49,8	4,15 880 31/49,8	7,33 1 600 31/51,2	15,4 3 250 31/49,5	20,9 4 500 31/50,4	31,2 6 760 31/50,8	41,8 9 100 31/51	62,8 13 420 31/52,6	90,9 19 160 31/51,8	128 26 940 31/51,7	156 34 920 31/52,7	206 46 430 31/52,9	257 58 030 31/52,9	308 68 290 31/52	50	2240		
	45	-	-	-	-	-	-	-	21,9 4 700 31/45,1	34,7 7 350 31/44,4	47,4 10 020 31/44,2	65,8 14 270 31/45,4	90,8 20 210 31/46,6	124 27 560 31/46,7	160 35 850 31/47,1	202 43 810 31/45,5	252 54 760 31/45,5	304 68 040 31/46,8	45	2000		
40	-	1,71 370 31/40,8	1,71 385 31/42,5	2,81 650 31/43,6	3,25 750 31/43,6	7,58 1 570 31/39,1	14,3 3 090 31/40,8	22,6 4 650 31/38,7	36,7 7 500 31/38,5	44,8 9 480 31/39,9	67,7 14 910 31/41,5	95,1 20 380 31/40,4	128 28 850 31/42,4	158 34 450 31/41,2	211 45 690 31/40,7	264 57 120 31/40,7	307 68 900 31/42,3	40	1800			

For n_1 lower than 560 min⁻¹ see page 107.

▲ Possible forced lubrication with heat exchanger: consult us.

$n_{N2} \cdot L_h$ min ⁻¹ · h	i_N	P_{N2} kW																i_N	n_1	n_{N2}			
		M_{N2} N m																					
		... / i																					
		50	63	64	80	81	100	125	140	160	180	200	225	250	280	320	321	360					
560 000	35,5	-	-	-	-	-	-	21	33,8	46,2	69,3	95,6	125	157	199	247	305	35,5	1600	45			
								4 710	7 360	10 030	14 250	20 180	27 540	34 940	44 290	55 110	69 880						
								31/37,5	31/36,5	31/36,3	31/34,4	31/35,4	31/36,9	31/37,2	31/37,4	31/37,4	31/38,4						
	31,5	-	1,6	1,73	3,36	3,95	6,98	14,2	21,8	34,8	43,4	69,4	92	126	160	199	249	300	31,5		1400		
			365	410	750	885	1 550	3 250	4 800	7 510	9 710	14 900	19 220	28 860	35 500	45 500	56 880	71 000					
			31/33,5	31/34,9	31/32,8	31/32,8	31/32,6	31/33,5	31/32,2	31/31,6	31/32,8	31/31,5	31/30,6	31/33,5	31/32,5	31/33,5	31/33,5	31/34,7					
	28	-	-	-	-	-	5,6	-	20,2	29,1	34,1	71,8	85	129	152	196	244	297	28		1250		
							1 230	-	4 480	6 300	7 440	14 930	17 730	28 370	33 450	45 000	56 000	68 590					
							21/28,8	-	31/29,1	31/28,4	31/27,2	31/27,3	31/28,7	31/28,8	31/30	31/30,3	31/30,3	31/30,3					
	25	0,62	1,46	1,65	2,6	3	6,69	12,5	17,6	27	38	55,3	77,4	110	151	193	228	315	25		1120		
	130	300	350	575	665	1 350	2 580	3 610	5 660	8 220	11 420	16 470	23 530	31 610	41 210	48 480	69 100						
	21/24,4	21/24,1	21/25,1	21/26	21/26	21/23,7	21/24,1	21/24,1	21/24,6	21/25,4	21/24,2	21/25	21/25	21/24,6	21/25	21/25	21/25,7						
22,4	-	-	-	-	-	-	-	20,1	30,1	40,9	58,2	81,3	114	163	194	229	337	22,4	1000				
								4 150	6 460	9 120	12 320	17 840	23 970	34 470	42 410	49 900	75 120						
								21/21,7	21/22,5	21/23,3	21/22,2	21/23	21/22	21/22,2	21/22,8	21/22,8	21/23,4						
20	0,71	1,8	1,81	3,03	3,51	7,67	15,1	21,6	30,8	41,3	62,1	90	129	164	199	265	352	20	900				
	150	370	385	670	775	1 570	3 090	4 500	6 760	9 110	13 410	19 140	26 890	34 860	43 700	57 980	75 760						
	21/20,1	21/19,3	21/20,1	21/20,8	21/20,8	21/19,3	21/19,3	21/19,6	21/20,7	21/20,8	21/20,3	21/20	21/19,7	21/20,1	21/20,6	21/20,6	21/20,3						
18	-	-	-	-	-	-	-	22,4	34,1	43,7	67,9	93,7	129	184	212	264	386	18	800				
								4 700	7 350	9 390	14 260	20 190	27 510	39 310	45 000	56 000	84 180						
								21/17,6	21/18,1	21/18	21/17,6	21/18,1	21/17,8	21/17,9	21/17,8	21/17,8	21/18,3						
16	0,81	1,82	1,96	3,54	4,18	7,86	16,2	21	35,6	40,8	68,9	92,7	132	177	232	290	352	16	710				
	180	385	435	745	880	1 700	3 450	4 250	7 500	9 110	14 900	19 500	28 820	37 310	49 570	61 960	75 760						
	21/16,3	21/15,8	21/16,5	21/15,7	21/15,7	21/16,1	21/15,8	21/15,1	21/15,7	21/16,6	21/16,1	21/15,6	21/16,2	21/15,7	21/15,9	21/15,9	21/16						
14	-	-	-	-	-	-	-	18,7	34,7	45,8	70,9	80,5	109	155	247	309	386	14	630				
								4 160	7 390	10 000	14 940	17 840	24 010	34 500	53 530	66 910	84 180						
								21/14,7	21/14,1	21/14,4	21/13,9	21/14,6	21/14,6	21/14,7	21/14,3	21/14,3	21/14,4						
12,5	0,85	1,66	1,67	2,87	3,32	7,51	13,8	19,8	28,9	39,2	60,7	87,3	121	154	192	255	335	12,5	560				
	180	370	385	670	775	1 570	3 070	4 500	6 700	9 120	13 420	19 000	26 950	34 930	43 700	58 000	75 000						
	21/12,3	21/13,1	21/13,6	21/13,7	21/13,7	21/12,3	21/13,1	21/13,3	21/13,6	21/13,6	21/13	21/12,8	21/13,1	21/13,3	21/13,4	21/13,4	21/13,1						
500 000	160	-	-	-	-	1 220	2 430	-	-	-	-	-	-	-	-	-	-						
						31/151	31/153																
	125	-	-	-	-	1 450	2 900	3 630	5 690	7 750	11 460	15 500	23 000	31 720	38 700	47 500	63 000						
						31/123	31/123	31/123	31/128	31/131	31/119	31/123	31/125	31/123	31/127	31/127	31/131						
	100	-	-	-	-	1 500	3 000	4 520	6 700	9 150	13 450	19 200	26 990	34 990	46 580	58 220	71 110						
						31/103	31/101	31/100	31/107	31/108	31/100	31/98,5	31/98,5	31/100	31/105	31/105	31/103						
	90	-	-	-	-	-	-	4 660	6 900	8 680	14 300	19 500	27 620	38 000	43 960	54 950	66 330						
								31/89,4	31/93,7	31/93,3	31/86,4	31/88,8	31/89	31/89,7	31/90,1	31/90,1	31/92,7						
80	-	300	355	535	625	1 360	2 590	4 520	6 790	9 160	13 480	19 240	27 050	35 060	46 580	58 230	71 090						
		31/75,2	31/78,2	31/82,7	31/82,7	31/75,5	31/75,3	31/81,4	31/85,7	31/86,1	31/84	31/82,7	31/82,7	31/84,3	31/82,5	31/82,5	31/81,1						
71	-	-	-	-	-	-	-	19	27,8	39,6	57,9	79,9	109	149	182	227	266	71	2800				
								4 730	7 100	10 080	14 330	20 300	27 670	38 260	43 960	54 950	66 280						
								31/72,8	31/74,9	31/74,6	31/72,6	31/74,5	31/74,7	31/75,3	31/71	31/71	31/73						
63	-	1,55	1,61	2,5	2,94	6,73	13,5	19,1	28	37,5	56,2	81,5	115	146	182	227	282	63	2500				
		355	385	635	745	1 580	3 100	4 510	6 780	9 140	13 450	19 200	26 990	34 990	46 620	58 270	71 120						
		31/60,1	31/62,6	31/66,3	31/66,3	31/61,5	31/60,2	31/62	31/63,5	31/63,8	31/62,6	31/61,7	31/61,5	31/62,7	31/67,1	31/67,1	31/66						
56	-	-	-	-	-	-	-	19,7	31,2	36,8	62	85,5	116	155	179	223	265	56	2240				
								4 660	7 380	8 660	14 300	20 250	27 610	37 060	43 980	54 970	67 130						
								31/55,4	31/55,5	31/55,3	31/54,1	31/55,5	31/55,6	31/56	31/57,8	31/57,8	31/59,4						

For n_1 lower than 560 min⁻¹ see page 107.

$n_{N2} \cdot L_h$ min ⁻¹ · h	i_N	P_{N2} kW																i_N	n_1	n_{N2} min ⁻¹	
		M_{N2} N m																			
		... / i																			
		50	63	64	80	81	100	125	140	160	180	200	225	250	280	320	321	360			
500 000	50	-	1,55 365 3i/49,4	1,78 440 3i/51,5	3,16 750 3i/49,8	3,72 885 3i/49,8	6,75 1 650 3i/51,2	13,8 3 250 3i/49,5	18,8 4 520 3i/50,4	28 6 780 3i/50,8	37,5 9 140 3i/51	53,7 13 470 3i/52,6	77,8 19 230 3i/51,8	110 27 040 3i/51,7	139 35 040 3i/52,7	185 46 590 3i/52,9	231 58 240 3i/52,9	285 70 650 3i/52	50	2000	40
	45	-	-	-	-	-	-	19,7 4 720 3i/45,1	31,3 7 370 3i/44,4	42,8 10 050 3i/44,2	59,4 14 320 3i/45,4	82 20 280 3i/46,6	112 27 650 3i/46,7	148 37 000 3i/47,1	182 43 950 3i/45,5	228 54 940 3i/45,5	277 68 900 3i/46,8	45	1800		
	40	-	1,52 370 3i/40,8	1,53 385 3i/42,5	2,54 660 3i/43,6	2,93 765 3i/43,6	6,76 1 580 3i/39,1	12,7 3 100 3i/40,8	20,2 4 660 3i/38,7	32,8 7 530 3i/38,5	39,9 9 520 3i/39,9	60,4 14 970 3i/41,5	84,8 20 460 3i/42,4	114 28 950 3i/42,4	142 34 940 3i/41,2	195 47 340 3i/40,7	243 59 170 3i/40,7	277 69 880 3i/42,3	40	1600	
	35,5	-	-	-	-	-	-	-	18,5 4 730 3i/37,5	29,7 7 390 3i/36,5	40,6 10 070 3i/36,3	60,9 14 310 3i/34,4	84 20 270 3i/35,4	110 27 660 3i/36,9	140 35 510 3i/37,2	177 45 000 3i/37,4	220 56 000 3i/37,4	271 71 000 3i/38,4	35,5	1400	
	31,5	-	1,43 365 3i/33,5	1,54 410 3i/34,9	3,01 755 3i/32,8	3,54 885 3i/32,8	6,23 1 550 3i/32,6	12,7 3 250 3i/33,5	20,2 4 960 3i/32,2	31,2 7 540 3i/31,6	40,1 10 050 3i/32,8	62,1 14 950 3i/31,5	85 19 880 3i/30,6	113 28 960 3i/33,5	143 35 500 3i/32,5	184 47 080 3i/33,5	230 58 840 3i/33,5	268 71 000 3i/34,7	31,5	1250	
	28	-	-	-	-	-	5,04 1 240 2i/28,8	-	18,7 4 630 3i/29,1	26 6 300 3i/28,4	30,7 7 490 3i/28,6	64,6 14 980 3i/27,2	78,7 18 330 3i/27,3	120 29 320 3i/28,7	137 33 690 3i/28,8	176 45 000 3i/30	219 56 000 3i/30	267 68 990 3i/30,3	28	1120	
	25	0,56 130 2i/24,4	1,31 300 2i/24,1	1,48 355 2i/25,1	2,33 580 2i/26	2,69 670 2i/26	5,99 1 360 2i/23,7	11,2 2 590 2i/24,1	15,8 3 630 2i/24,1	24,2 5 680 2i/24,6	34,1 8 250 2i/25,4	49,5 11 460 2i/24,2	69,3 16 530 2i/25	98,9 23 610 2i/25	135 31 720 2i/24,6	173 41 360 2i/25	204 48 660 2i/25	282 69 350 2i/25,7	25	1000	
	22,4	-	-	-	-	-	-	-	18,1 4 170 2i/21,7	27,1 6 480 2i/22,5	37 9 150 2i/23,3	52,6 12 360 2i/22,2	73,4 17 900 2i/23	103 24 050 2i/22	147 34 580 2i/22,2	176 42 550 2i/22,8	207 50 060 2i/22,8	304 75 370 2i/23,4	22,4	900	
	20	0,63 150 2i/20,1	1,61 370 2i/19,3	1,61 385 2i/20,1	2,69 670 2i/20,8	3,12 775 2i/20,8	6,84 1 580 2i/19,3	13,5 3 100 2i/19,3	19,2 4 510 2i/19,6	27,5 6 780 2i/20,7	36,9 9 140 2i/20,8	55,4 13 460 2i/20,3	80,3 19 210 2i/20	115 26 990 2i/19,7	146 34 990 2i/20,1	179 44 210 2i/20,6	236 58 200 2i/20,6	314 76 040 2i/20,3	20	800	
	18	-	-	-	-	-	-	-	20 4 720 2i/17,6	30,4 7 380 2i/18,1	38,9 9 420 2i/18	60,5 14 310 2i/17,6	83,5 20 270 2i/18,1	115 27 620 2i/17,8	164 39 460 2i/17,9	188 45 000 2i/17,8	234 56 000 2i/17,8	344 84 500 2i/18,3	18	710	
	16	0,72 180 2i/16,3	1,61 385 2i/15,8	1,75 435 2i/16,5	3,15 750 2i/15,7	3,72 885 2i/15,7	6,97 1 700 2i/16,1	14,4 3 450 2i/15,8	18,6 4 250 2i/15,1	31,6 7 500 2i/15,7	36,3 9 150 2i/16,6	61,4 14 960 2i/16,1	82,3 19 500 2i/15,6	118 28 920 2i/16,2	157 37 450 2i/15,7	206 49 760 2i/15,9	258 62 200 2i/15,9	314 76 040 2i/16	16	630	
	14	-	-	-	-	-	-	-	16,7 4 180 2i/14,7	30,9 7 420 2i/14,1	40,7 10 000 2i/14,4	63,3 14 990 2i/13,9	71,8 17 910 2i/14,6	96,8 24 100 2i/14,6	138 34 500 2i/14,7	221 53 730 2i/14,3	275 67 000 2i/14,3	344 84 490 2i/14,4	14	560	
450 000	160	-	-	-	-	1 250 3i/151	2 500 3i/153	-	-	-	-	-	-	-	-	-	-	-			
	125	-	-	-	-	1 500 3i/123	3 000 3i/123	3 640 3i/123	5 710 3i/128	8 000 3i/131	11 500 3i/119	16 000 3i/123	23 690 3i/125	31 830 3i/123	40 000 3i/127	48 840 3i/127	63 000 3i/131				
	100	-	-	-	-	1 550 3i/103	3 070 3i/101	4 530 3i/100	6 820 3i/107	9 190 3i/108	13 500 3i/100	19 270 3i/98,5	27 100 3i/98,5	35 120 3i/100	46 750 3i/105	58 440 3i/105	73 700 3i/103				
	90	-	-	-	-	-	-	4 680 3i/89,4	6 900 3i/93,7	8 710 3i/93,3	14 360 3i/86,4	20 340 3i/88,8	27 720 3i/89	39 390 3i/89,7	44 120 3i/90,1	55 150 3i/90,1	68 750 3i/92,7				
	80	-	1,18 300 3i/75,2	1,33 355 3i/78,2	1,9 535 3i/82,7	2,23 630 3i/82,7	5,3 1 360 3i/75,5	10,1 2 590 3i/75,3	16,3 4 540 3i/81,4	23,3 6 820 3i/85,7	31,3 9 190 3i/86,1	47,2 13 530 3i/84	68,4 19 310 3i/82,7	96,3 27 150 3i/82,7	122 35 190 3i/84,3	166 46 750 3i/82,5	208 58 440 3i/82,5	266 73 650 3i/81,1	80	2800	35,5
71	-	-	-	-	-	-	-	17,1 4 740 3i/72,8	24,8 7 100 3i/74,9	35,5 10 110 3i/74,6	51,9 14 380 3i/72,6	71,6 20 370 3i/74,5	97,3 27 770 3i/74,7	138 39 580 3i/75,3	163 44 110 3i/71	203 55 140 3i/71	246 68 580 3i/73	71	2500		

For n_1 lower than 560 min⁻¹ see page 107.

$n_{N2} \cdot L_h$ min ⁻¹ · h	i_N	P_{N2} kW																i_N	n_1	n_{N2} min ⁻¹	
		M_{N2} N m																			
		... / i																			
		50	63	64	80	81	100	125	140	160	180	200	225	250	280	320	321	360			
450 000	63	-	1,45 370 3/60,1	1,45 385 3/62,6	2,25 635 3/66,3	2,64 745 3/66,3	6,05 1 580 3/61,5	12,1 3 110 3/60,2	17,2 4 530 3/62	25,1 6 800 3/63,5	33,7 9 170 3/63,8	50,6 13 500 3/62,6	73,3 19 260 3/61,7	103 27 090 3/61,5	131 35 110 3/62,7	164 46 780 3/67,1	204 58 470 3/67,1	261 73 500 3/66	63	2240	35,5
	56	-	-	-	-	-	-	17,7 4 680 3/55,4	27,9 7 400 3/55,5	32,9 8 700 3/55,3	55,5 14 350 3/54,1	76,6 20 330 3/55,5	104 27 710 3/55,6	143 38 340 3/56	160 44 140 3/57,8	200 55 170 3/57,8	241 68 440 3/59,4	56	2000		
	50	-	1,43 375 3/49,4	1,61 440 3/51,5	2,85 755 3/49,8	3,36 885 3/49,8	6,08 1 650 3/51,2	12,8 3 350 3/49,5	16,9 4 530 3/50,4	25,2 6 800 3/50,8	33,9 9 170 3/51	48,5 13 510 3/52,6	70,2 19 290 3/51,8	99 27 130 3/51,7	126 35 160 3/52,7	167 46 750 3/52,9	208 58 440 3/52,9	264 72 920 3/52	50	1800	
	45	-	-	-	-	-	-	17,6 4 740 3/45,1	27,9 7 400 3/44,4	38,2 10 090 3/44,2	53 14 370 3/45,4	73,1 20 360 3/46,6	99,6 27 750 3/46,7	136 38 330 3/47,1	163 44 290 3/45,5	203 55 140 3/45,5	250 69 880 3/46,8	45	1600		
	40	-	1,34 375 3/40,8	1,34 390 3/42,5	2,25 670 3/43,6	2,61 775 3/43,6	5,94 1 590 3/39,1	11,2 3 120 3/40,8	17,8 4 680 3/38,7	28,8 7 560 3/38,5	35,1 9 560 3/39,9	53 15 030 3/41,5	74,5 20 540 3/40,4	100 29 080 3/42,4	126 35 500 3/41,2	177 49 270 3/40,7	222 61 590 3/40,7	246 71 000 3/42,3	40	1400	
	35,5	-	-	-	-	-	-	16,6 4 750 3/37,5	26,6 7 410 3/36,5	36,4 10 110 3/36,3	54,6 14 360 3/34,4	75,3 20 340 3/35,4	98,4 27 760 3/36,9	129 36 740 3/37,2	158 45 000 3/37,4	196 56 000 3/37,4	242 71 000 3/38,4	35,5	1250		
	31,5	-	1,28 365 3/33,5	1,38 410 3/34,9	2,71 755 3/32,8	3,18 890 3/32,8	5,58 1 550 3/32,6	11,4 3 250 3/33,5	18,7 5 130 3/32,2	28,1 7 570 3/31,6	37,1 10 390 3/32,8	55,9 15 000 3/31,5	78,7 20 550 3/30,6	102 29 060 3/33,5	128 35 500 3/32,5	171 48 650 3/33,5	213 60 820 3/33,5	240 71 000 3/34,7	31,5	1120	
	28	-	-	-	-	-	4,52 1 240 2/28,8	-	16,6 4 620 3/29,1	23,2 6 300 3/28,4	27,6 7 530 3/28,6	57,8 15 040 3/27,2	72,7 18 960 3/27,3	108 29 640 3/28,7	123 33 930 3/28,8	158 45 180 3/30	197 56 480 3/30	240 69 400 3/30,3	28	1000	
	25	0,5 130 2/24,4	1,18 300 2/24,1	1,33 355 2/25,1	2,1 580 2/26	2,43 670 2/26	5,41 1 360 2/23,7	10,1 2 590 2/24,1	14,2 3 640 2/24,1	21,8 5 700 2/24,6	30,8 8 280 2/25,4	44,7 11 500 2/24,2	62,6 16 580 2/25	89,3 23 690 2/25	122 31 830 2/24,6	156 41 500 2/25	184 48 820 2/25	255 69 580 2/25,7	25	900	
	22,4	-	-	-	-	-	-	16,2 4 180 2/21,7	24,2 6 500 2/22,5	33 9 180 2/23,3	46,9 12 410 2/22,2	65,5 17 960 2/23	92 24 140 2/22	131 34 710 2/22,2	157 42 710 2/22,8	184 50 250 2/22,8	218 58 420 2/22,8	271 75 650 2/23,4	22,4	800	
	20	0,56 150 2/20,1	1,43 370 2/19,3	1,43 385 2/20,1	2,39 670 2/20,8	2,77 775 2/20,8	6,1 1 580 2/19,3	12 3 110 2/19,3	17,1 4 530 2/19,6	24,5 6 810 2/20,7	32,8 9 180 2/20,8	49,3 13 510 2/20,3	71,5 19 280 2/20	102 27 100 2/19,7	130 35 120 2/20,1	165 45 820 2/20,6	210 58 420 2/20,6	279 76 330 2/20,3	20	710	
	18	-	-	-	-	-	-	17,8 4 740 2/17,6	27 7 410 2/18,1	34,7 9 460 2/18	53,9 14 360 2/17,6	74,4 20 350 2/18,1	103 27 720 2/17,8	146 39 600 2/17,9	167 45 000 2/17,8	208 56 000 2/17,8	306 84 820 2/18,3	18	630		
16	0,65 180 2/16,3	1,43 385 2/15,8	1,55 435 2/16,5	2,81 750 2/15,7	3,32 890 2/15,7	6,2 1 700 2/16,1	12,8 3 450 2/15,8	16,6 4 250 2/15,1	28,1 7 500 2/15,7	32,4 9 180 2/16,6	54,7 15 000 2/16,1	73,1 19 500 2/15,6	105 29 000 2/16,2	140 37 500 2/15,7	184 49 940 2/15,9	230 62 430 2/15,9	280 76 330 2/16	16	560		
400 000	160	-	-	-	-	1 280 3/151	2 610 3/153	-	-	-	-	-	-	-	-	-	-	-			
	125	-	-	-	-	1 500 3/123	3 000 3/123	3 650 3/123	5 730 3/128	8 000 3/131	11 540 3/119	16 000 3/123	23 780 3/125	31 950 3/123	40 000 3/127	49 020 3/127	65 000 3/131				
	100	-	-	-	-	1 550 3/103	3 070 3/101	4 550 3/100	6 840 3/107	9 220 3/108	13 550 3/100	19 340 3/98,5	27 200 3/98,5	35 250 3/100	46 930 3/105	58 660 3/105	76 390 3/103				
	90	-	-	-	-	-	-	15,4 4 700 3/89,4	22,2 7 100 3/93,7	27,5 8 750 3/93,3	48,9 14 410 3/86,4	67,4 20 410 3/88,8	91,7 27 820 3/89	130 39 750 3/89,7	144 44 290 3/90,1	180 55 360 3/90,1	225 71 220 3/92,7	90	2800	31,5	
80	-	1,06 305 3/75,2	1,19 355 3/78,2	1,71 540 3/82,7	2 630 3/82,7	4,75 1 370 3/75,5	9,06 2 600 3/75,3	14,6 4 550 3/81,4	20,9 6 840 3/85,7	28 9 220 3/86,1	42,3 13 570 3/84	61,3 19 380 3/82,7	86,3 27 250 3/82,7	110 35 320 3/84,3	149 46 920 3/82,5	186 58 650 3/82,5	246 76 200 3/81,1	80	2500		

For n_1 lower than 560 min⁻¹ see page 107.

$n_{N2} \cdot L_h$ min ⁻¹ · h	i_N	P_{N2} kW																i_N	n_1	n_{N2} min ⁻¹	
		M_{N2} N m																			
		50	63	64	80	81	100	125	140	160	180	200	225	250	280	320	321				360
400 000	71	-	-	-	-	-	-	15,3 4 760 31/72,8	22,8 7 300 31/74,9	31,9 10 150 31/74,6	46,6 14 430 31/72,6	64,3 20 440 31/74,5	87,5 27 870 31/74,7	124 39 810 31/75,3	146 44 270 31/71	183 55 330 31/71	228 70 870 31/73	71	2240	31,5	
	63	-	1,3 375 31/60,1	1,3 390 31/62,6	2,03 640 31/66,3	2,37 750 31/66,3	5,42 1 590 31/61,5	10,8 3 120 31/60,2	15,4 4 550 31/62	22,5 6 830 31/63,5	30,2 9 200 31/63,8	45,3 13 540 31/62,6	65,7 19 330 31/61,7	92,5 27 180 31/61,5	118 35 240 31/62,7	147 46 940 31/67,1	183 58 680 31/67,1	241 76 040 31/66	63		2000
	56	-	-	-	-	-	-	16 4 690 31/55,4	25,2 7 430 31/55,3	29,7 8 720 31/55,5	50,2 14 400 31/54,1	69,2 20 390 31/55,5	94,2 27 800 31/56	133 39 580 31/56	145 44 280 31/57,8	181 55 350 31/57,8	224 70 640 31/59,4	56	1800		
	50	-	1,31 385 31/49,4	1,43 440 31/51,5	2,54 755 31/49,8	2,99 890 31/49,8	5,57 1 700 31/51,2	11,3 3 350 31/49,5	15,1 4 550 31/50,4	22,5 6 830 31/50,8	30,2 9 200 31/51	43,2 13 560 31/52,6	62,7 19 360 31/51,8	88,3 27 230 31/51,7	112 35 290 31/52,7	149 46 920 31/52,9	186 58 650 31/52,9	243 75 540 31/52	50		1600
	45	-	-	-	-	-	-	15,5 4 760 31/45,1	24,5 7 430 31/44,4	33,6 10 130 31/44,2	46,6 14 430 31/45,4	64,3 20 440 31/46,6	87,5 27 870 31/46,7	124 39 810 31/47,1	145 45 000 31/45,5	180 56 000 31/45,5	222 71 000 31/46,8	45	1400		
	40	-	1,2 375 31/40,8	1,2 390 31/42,5	2,01 670 31/43,6	2,33 775 31/43,6	5,32 1 590 31/39,1	10 3 130 31/40,8	15,9 4 700 31/38,7	25,8 7 590 31/38,5	31,4 9 590 31/39,9	47,5 15 080 31/41,5	66,8 20 610 31/40,4	90 29 180 31/42,4	115 36 110 31/41,2	161 50 160 31/40,7	201 62 700 31/40,7	220 71 000 31/42,3	40		1250
	35,5	-	-	-	-	-	-	14,9 4 760 31/37,5	23,9 7 440 31/36,5	32,7 10 140 31/36,3	49,1 14 410 31/34,4	67,7 20 410 31/35,4	88,5 27 860 31/36,9	120 37 970 31/37,2	141 45 000 31/37,4	176 56 000 31/37,4	217 71 000 31/38,4	35,5	1120		
	31,5	-	1,14 365 31/33,5	1,23 410 31/34,9	2,42 760 31/32,8	2,85 890 31/32,8	4,98 1 550 31/32,6	10,1 3 250 31/33,5	16,7 5 150 31/32,2	25,1 7 590 31/31,6	33,6 10 530 31/32,8	50,1 15 060 31/31,5	72,7 21 260 31/30,6	91,1 29 170 31/33,5	114 35 500 31/32,5	157 50 200 31/33,5	196 62 750 31/33,5	214 71 000 31/34,7	31,5		1000
	28	-	-	-	-	-	4,08 1 250 21/28,8	15 4 620 31/29,1	20,9 6 300 31/28,4	25 7 580 31/28,6	52,2 15 090 31/27,2	67,5 19 570 31/27,3	97,6 29 740 31/28,7	112 34 160 31/28,8	146 46 630 31/30	183 58 290 31/30	217 69 790 31/30,3	28	900		
	25	0,45 130 21/24,4	1,05 305 21/24,1	1,19 355 21/25,1	1,87 580 21/26	2,16 670 21/26	4,83 1 370 21/23,7	9,06 2 600 21/24,1	12,7 3 650 21/24,1	19,5 5 720 21/24,6	27,5 8 310 21/25,4	39,9 11 550 21/24,2	55,8 16 640 21/25	79,7 23 780 21/25	109 31 950 21/24,6	140 41 650 21/25	164 49 000 21/25	227 69 840 21/25,7	25		800
	22,4	-	-	-	-	-	-	14,4 4 200 21/21,7	21,5 6 500 21/22,5	29,4 9 220 21/23,3	41,8 12 450 21/22,2	58,2 18 000 21/23	81,9 24 230 21/22	117 34 840 21/22,2	140 42 870 21/22,8	164 50 440 21/22,8	242 75 930 21/23,4	22,4	710		
	20	0,5 155 21/20,1	1,28 375 21/19,3	1,27 385 21/20,1	2,12 670 21/20,8	2,45 775 21/20,8	5,43 1 590 21/19,3	10,7 3 120 21/19,3	15,3 4 550 21/19,6	21,8 6 830 21/20,7	29,3 9 210 21/20,8	44 13 560 21/20,3	63,7 19 350 21/20	91,1 27 200 21/19,7	116 35 250 21/20,1	150 46 910 21/20,6	187 58 640 21/20,6	249 76 620 21/20,3	20		630
	18	-	-	-	-	-	-	15,9 4 750 21/17,6	24,1 7 440 21/18,1	30,9 9 490 21/18	48,1 14 420 21/17,6	66,3 20 420 21/18,1	91,7 27 820 21/17,8	130 39 750 21/17,9	149 45 000 21/17,8	185 56 000 21/17,8	273 85 000 21/18,3	18	560		
355 000	160	-	-	-	-	1 280 31/151	2 610 31/153	-	-	-	-	-	-	-	-	-	-	-	-	-	
	125	-	-	-	-	1 550 31/123	3 070 31/123	3 670 31/123	5 750 31/128	8 350 31/131	11 580 31/119	16 700 31/123	23 870 31/125	32 070 31/123	41 830 31/127	49 210 31/127	65 000 31/131	-	-	-	
	100	-	-	-	-	4,43 1 550 31/103	9,18 3 150 31/101	13,4 4 570 31/100	18,8 6 870 31/107	25,2 9 250 31/108	39,9 13 600 31/100	57,8 19 410 31/98,5	81,3 27 300 31/98,5	103 35 380 31/100	132 47 110 31/105	165 58 880 31/105	219 76 940 31/103	100	2800	28	
	90	-	-	-	-	-	-	13,8 4 710 31/89,4	19,8 7 100 31/93,7	24,6 8 780 31/93,3	43,8 14 460 31/86,4	60,4 20 480 31/88,8	82,1 27 920 31/89	116 39 890 31/89,7	129 44 450 31/90,1	161 55 560 31/90,1	208 73 690 31/92,7	90	2500		
	80	-	0,95 305 31/75,2	1,07 355 31/78,2	1,55 550 31/82,7	1,8 635 31/82,7	4,27 1 370 31/75,5	8,14 2 610 31/75,3	13,2 4 570 31/81,4	18,8 6 870 31/85,7	25,2 9 250 31/86,1	38 13 620 31/84	55,1 19 440 31/82,7	77,6 27 340 31/82,7	98,7 35 440 31/84,3	134 47 080 31/82,5	167 58 850 31/82,5	222 76 900 31/81,1	80		2240

For n_1 lower than 560 min⁻¹ see page 107.

$n_{N2} \cdot L_h$ min ⁻¹ · h	i_N	P_{N2} kW																i_N	n_1	n_{N2} min ⁻¹		
		M_{N2} N m																				
		... / i																				
		50	63	64	80	81	100	125	140	160	180	200	225	250	280	320	321	360				
355 000	71	-	-	-	-	-	-	-	13,7 4 780 3/72,8	20,9 7 470 3/74,9	28,6 10 180 3/74,6	41,8 14 480 3/72,6	57,7 20 520 3/74,5	78,4 27 970 3/74,7	111 39 950 3/75,3	131 44 420 3/71	164 55 530 3/71	210 73 320 3/73	71	2000	28	
	63	-	1,17 375 3/60,1	1,17 390 3/62,6	1,85 650 3/66,3	2,14 750 3/66,3	4,89 1 600 3/61,5	9,79 3 130 3/60,2	13,9 4 560 3/62	20,3 6 850 3/63,5	27,3 9 230 3/63,8	40,9 13 590 3/62,6	59,3 19 400 3/61,7	83,5 27 280 3/61,5	106 35 350 3/62,7	132 47 100 3/67,1	165 58 880 3/67,1	220 76 930 3/66	63	1800		
	56	-	-	-	-	-	-	-	14,3 4 710 3/55,4	22,5 7 450 3/55,5	26,5 8 760 3/55,3	44,7 14 450 3/54,1	61,7 20 470 3/55,5	84 27 900 3/55,6	119 39 860 3/56	129 44 450 3/57,8	161 55 560 3/57,8	206 73 180 3/59,4	56	1600		
	50	-	1,15 385 3/49,4	1,26 445 3/51,5	2,24 760 3/49,8	2,63 895 3/49,8	4,87 1 700 3/51,2	10,2 3 450 3/49,5	13,3 4 570 3/50,4	19,8 6 860 3/50,8	26,5 9 240 3/51	38 13 620 3/52,6	55,1 19 440 3/51,8	77,6 27 340 3/51,7	98,7 35 440 3/52,7	131 47 120 3/52,9	163 58 900 3/52,9	217 76 960 3/52	50	1400		
	45	-	-	-	-	-	-	-	13,9 4 770 3/45,1	22 7 460 3/44,4	30,1 10 170 3/44,2	41,7 14 480 3/45,4	57,6 20 520 3/46,6	78,4 27 970 3/46,7	111 39 950 3/47,1	129 45 000 3/45,5	161 56 000 3/45,5	205 73 210 3/46,8	45	1250		
	40	-	1,08 375 3/40,8	1,08 390 3/42,5	1,8 670 3/43,6	2,09 775 3/43,6	4,79 1 600 3/39,1	9,01 3 140 3/40,8	14,3 4 720 3/38,7	23,2 7 610 3/38,5	28,3 9 620 3/39,9	42,7 15 140 3/41,5	60,1 20 690 3/40,4	80,9 29 280 3/42,4	106 37 320 3/41,2	145 50 330 3/40,7	181 62 920 3/40,7	197 71 000 3/42,3	40	1120		
	35,5	-	-	-	-	-	-	-	13,3 4 780 3/37,5	21,4 7 470 3/36,5	29,3 10 180 3/36,3	44 14 460 3/34,4	60,7 20 480 3/35,4	79,3 27 960 3/36,9	111 39 290 3/37,2	126 45 000 3/37,4	157 56 000 3/37,4	197 72 290 3/38,4	35,5	1000		
	31,5	-	1,03 365 3/33,5	1,11 410 3/34,9	2,19 760 3/32,8	2,57 895 3/32,8	4,49 1 550 3/32,6	9,13 3 250 3/33,5	15,1 5 150 3/32,2	22,7 7 620 3/31,6	30,4 10 570 3/32,8	45,2 15 110 3/31,5	67,1 21 800 3/30,6	82,2 29 270 3/33,5	103 35 500 3/32,5	142 50 370 3/33,5	177 62 960 3/33,5	193 71 000 3/34,7	31,5	900		
	28	-	-	-	-	-	3,64 1 250 2/28,8	-	13,7 4 750 3/29,1	18,6 6 300 3/28,4	22,3 7 620 3/28,6	46,6 15 140 3/27,2	62,2 20 270 3/27,3	87,1 29 850 3/28,7	100 34 410 3/28,8	135 48 310 3/30	168 60 390 3/30	194 70 220 3/30,3	28	800		
	25	0,4 130 2/24,4	0,94 305 2/24,1	1,06 355 2/25,1	1,66 580 2/26	1,92 670 2/26	4,3 1 370 2/23,7	8,07 2 610 2/24,1	11,3 3 670 2/24,1	17,4 5 750 2/24,6	24,5 8 340 2/25,4	35,5 11 590 2/24,2	49,7 16 710 2/25	71 23 870 2/25	96,9 32 070 2/24,6	124 41 810 2/25	146 49 190 2/25	202 70 100 2/25,7	25	710		
22,4	-	-	-	-	-	-	-	12,8 4 210 2/21,7	19,1 6 500 2/22,5	26,2 9 250 2/23,3	37,2 12 500 2/22,2	51,7 18 000 2/23	72,9 24 300 2/22	104 34 970 2/22,2	124 43 030 2/22,8	146 50 630 2/22,8	215 76 220 2/23,4	22,4	630			
20	0,45 155 2/20,1	1,14 375 2/19,3	1,13 385 2/20,1	1,89 670 2/20,8	2,18 775 2/20,8	4,85 1 600 2/19,3	9,53 3 130 2/19,3	13,6 4 560 2/19,6	19,5 6 860 2/20,7	26,1 9 240 2/20,8	39,2 13 600 2/20,3	56,8 19 420 2/20	81 27 200 2/19,7	103 35 380 2/20,1	134 47 080 2/20,6	167 58 860 2/20,6	222 76 900 2/20,3	20	560			
315 000	160	-	-	-	-	1 320 3/151	2 620 3/153	-	-	-	-	-	-	-	-	-	-	-				
	125	-	-	-	-	1 550 3/123	3 140 3/123	3 680 3/123	5 770 3/128	8 380 3/131	11 630 3/119	16 760 3/123	23 960 3/125	32 190 3/123	41 980 3/127	49 390 3/127	67 000 3/131					
	100	-	-	-	-	4,08 1 600 3/103	8,19 3 150 3/101	12 4 580 3/100	16,8 6 890 3/107	22,6 9 290 3/108	35,7 13 650 3/100	51,8 19 480 3/98,5	72,8 27 400 3/98,5	92,6 35 510 3/100	118 47 270 3/105	148 59 090 3/105	196 77 210 3/103	100	2500	25		
	90	-	-	-	-	-	-	12,4 4 730 3/89,4	18,3 7 300 3/93,7	22,2 8 810 3/93,3	39,4 14 510 3/86,4	54,3 20 550 3/88,8	73,9 28 020 3/89	105 40 030 3/89,7	116 44 600 3/90,1	145 55 750 3/90,1	193 76 150 3/92,7	90	2240			
	80	-	0,85 305 3/75,2	0,96 360 3/78,2	1,41 555 3/82,7	1,63 640 3/82,7	3,82 1 380 3/75,5	7,3 2 620 3/75,3	11,8 4 590 3/81,4	16,8 6 890 3/85,7	22,6 9 290 3/86,1	34,1 13 670 3/84	49,4 19 510 3/82,7	69,5 27 440 3/82,7	88,4 35 560 3/84,3	120 47 250 3/82,5	150 59 060 3/82,5	199 77 170 3/81,1	80	2000		
71	-	-	-	-	-	-	-	12,4 4 790 3/72,8	18,9 7 500 3/74,9	25,8 10 220 3/74,6	37,7 14 530 3/72,6	52,1 20 580 3/74,5	70,8 28 060 3/74,7	100 40 090 3/75,3	118 44 570 3/71	148 55 710 3/71	195 75 680 3/73	71	1800			

For n_1 lower than 560 min⁻¹ see page 107.

$n_{N2} \cdot L_h$ min ⁻¹ · h	i_N	P_{N2} kW																i_N	n_1 min ⁻¹	n_{N2}	
		M_{N2} N m																			
		... i																			
		50	63	64	80	81	100	125	140	160	180	200	225	250	280	320	321	360			
315 000	63	-	1,05 375 3i/60,1	1,05 390 3i/62,6	1,67 660 3i/66,3	1,93 765 3i/66,3	4,37 1 600 3i/61,5	8,74 3 140 3i/60,2	12,4 4 580 3i/62	18,1 6 880 3i/63,5	24,3 9 270 3i/63,8	36,5 13 640 3i/62,6	52,9 19 470 3i/61,7	74,5 27 380 3i/61,5	94,8 35 480 3i/62,7	118 47 280 3i/67,1	148 59 090 3i/67,1	196 77 210 3i/66	63	1600	25
	56	-	-	-	-	-	-	12,5 4 730 3i/55,4	19,8 7 490 3i/55,5	23,3 8 790 3i/55,3	39,3 14 510 3i/54,1	54,3 20 560 3i/55,5	73,9 28 020 3i/55,6	105 40 030 3i/56	114 45 000 3i/57,8	142 56 000 3i/57,8	188 76 170 3i/59,4	56	1400		
	50	-	1,03 385 3i/49,4	1,13 445 3i/51,5	2 765 3i/49,8	2,36 900 3i/49,8	4,35 1 700 3i/51,2	9,13 3 450 3i/49,5	11,9 4 580 3i/50,4	17,7 6 880 3i/50,8	23,8 9 270 3i/51	34 13 670 3i/52,6	49,3 19 510 3i/51,8	69,5 27 440 3i/51,7	88,4 35 560 3i/52,7	117 47 290 3i/52,9	146 59 110 3i/52,9	194 77 230 3i/52	50	1250	
	45	-	-	-	-	-	-	12,5 4 790 3i/45,1	19,8 7 490 3i/44,2	27,1 10 200 3i/44,2	37,5 14 530 3i/45,4	51,8 20 590 3i/46,6	70,5 28 060 3i/46,7	99,9 40 090 3i/47,1	116 45 000 3i/45,5	144 56 000 3i/45,5	190 75 660 3i/46,8	45	1120		
	40	-	0,97 375 3i/40,8	0,97 390 3i/42,5	1,61 670 3i/43,6	1,86 775 3i/43,6	4,29 1 600 3i/39,1	8,08 3 150 3i/40,8	12,8 4 730 3i/38,7	20,8 7 640 3i/38,5	25,3 9 660 3i/39,9	38,3 15 190 3i/41,5	53,8 20 760 3i/40,4	72,5 29 390 3i/42,4	98,2 38 620 3i/41,2	130 50 510 3i/40,7	162 63 140 3i/40,7	176 71 000 3i/42,3	40	1000	
	35,5	-	-	-	-	-	-	12 4 800 3i/37,5	19,3 7 490 3i/36,5	26,5 10 210 3i/36,3	39,7 14 510 3i/34,4	54,8 20 550 3i/35,4	71,6 28 050 3i/36,9	102 40 070 3i/37,2	113 45 000 3i/37,4	141 56 000 3i/37,4	183 74 610 3i/38,4	35,5	900		
	31,5	-	0,91 365 3i/33,5	0,99 410 3i/34,9	1,95 765 3i/32,8	2,3 900 3i/32,8	3,99 1 550 3i/32,6	8,12 3 250 3i/33,5	13,4 5 150 3i/32,2	20,3 7 650 3i/31,6	27,1 10 610 3i/32,8	40,3 15 160 3i/31,5	59,6 21 800 3i/30,6	73,4 29 370 3i/33,5	94,6 36 750 3i/32,5	127 50 550 3i/33,5	158 63 190 3i/33,5	171 71 000 3i/34,7	31,5	800	
	28	-	-	-	-	-	3,24 1 260 2i/28,8	12,1 4 750 3i/29,1	16,5 6 300 3i/28,4	20 7 670 3i/28,6	41,5 15 200 3i/27,2	55,9 20 530 3i/27,3	77,6 29 960 3i/28,7	89,4 34 670 3i/28,8	124 50 070 3i/30	155 62 590 3i/30	174 70 650 3i/30,3	28	710		
	25	0,36 130 2i/24,4	0,84 305 2i/24,1	0,94 360 2i/25,1	1,47 580 2i/26	1,7 670 2i/26	3,83 1 380 2i/23,7	7,19 2 620 2i/24,1	10,1 3 680 2i/24,1	15,5 5 770 2i/24,6	21,8 8 370 2i/25,4	31,7 11 630 2i/24,2	44,3 16 770 2i/25	63,2 23 960 2i/25	86,3 32 190 2i/24,6	111 41 970 2i/25	130 49 370 2i/25	180 70 370 2i/25,7	25	630	
	22,4	-	-	-	-	-	-	11,4 4 230 2i/21,7	16,9 6 500 2i/22,5	23,2 9 250 2i/23,3	33,1 12 500 2i/22,2	45,9 18 000 2i/23	64,8 24 300 2i/22	92,9 35 100 2i/22,2	111 43 190 2i/22,8	130 50 820 2i/22,8	192 76 500 2i/23,4	22,4	560		
280 000	160	-	-	-	-	1 320 3i/151	2 630 3i/153	-	-	-	-	-	-	-	-	-	-	-			
	125	-	-	-	-	3,82 1 610 3i/123	7,55 3 160 3i/123	8,83 3 700 3i/123	13,3 5 790 3i/128	18,8 8 410 3i/131	28,7 11 670 3i/119	40,2 16 820 3i/123	56,4 24 040 3i/125	77 32 310 3i/123	97,5 42 140 3i/127	115 49 580 3i/127	150 67 000 3i/131	125	2800	22,4	
	100	-	-	-	-	3,66 1 600 3i/103	7,57 3 250 3i/101	10,8 4 600 3i/100	15,1 6 920 3i/107	20,3 9 320 3i/108	32,1 13 700 3i/100	46,5 19 550 3i/98,5	65,5 27 490 3i/98,5	83,3 35 630 3i/100	106 47 440 3i/105	133 59 300 3i/105	176 77 480 3i/103	100	2240		
	90	-	-	-	-	-	-	11,1 4 750 3i/89,4	16,8 7 530 3i/93,7	19,8 8 840 3i/93,3	35,3 14 560 3i/86,4	48,7 20 630 3i/88,8	66,2 28 120 3i/89	93,8 40 180 3i/89,7	104 44 760 3i/90,1	130 55 950 3i/90,1	178 78 790 3i/92,7	90	2000		
	80	-	0,77 305 3i/75,2	0,87 360 3i/78,2	1,28 565 3i/82,7	1,48 650 3i/82,7	3,45 1 380 3i/75,5	6,59 2 630 3i/75,3	10,7 4 600 3i/81,4	15,2 6 910 3i/85,7	20,4 9 320 3i/86,1	30,8 13 720 3i/84	44,6 19 580 3i/82,7	62,8 27 530 3i/82,7	79,8 35 680 3i/84,3	108 47 410 3i/82,5	135 59 260 3i/82,5	180 77 430 3i/81,1	80	1800	
	71	-	-	-	-	-	-	11,1 4 810 3i/72,8	16,8 7 530 3i/74,9	23 10 260 3i/74,6	33,7 14 580 3i/72,6	46,5 20 660 3i/74,5	63,2 28 160 3i/74,7	89,5 40 240 3i/75,3	106 44 740 3i/71	132 55 920 3i/71	180 78 400 3i/73	71	1600		
	63	-	0,92 375 3i/60,1	0,92 395 3i/62,6	1,48 670 3i/66,3	1,71 775 3i/66,3	3,84 1 610 3i/61,5	7,68 3 150 3i/60,2	10,9 4 600 3i/62	15,9 6 900 3i/63,5	21,4 9 300 3i/63,8	32,1 13 700 3i/62,6	46,5 19 550 3i/61,7	65,5 27 490 3i/61,5	83,3 35 630 3i/62,7	104 47 470 3i/67,1	130 59 340 3i/67,1	172 77 540 3i/66	63	1400	
	56	-	-	-	-	-	-	11,2 4 750 3i/55,4	17,7 7 510 3i/55,5	20,9 8 830 3i/55,3	35,2 14 560 3i/54,1	48,6 20 630 3i/55,5	66,2 28 120 3i/55,6	93,8 40 180 3i/56	102 45 000 3i/57,8	127 56 000 3i/57,8	174 78 800 3i/59,4	56	1250		

For n_1 lower than 560 min⁻¹ see page 107.

$n_{N2} \cdot L_h$ min ⁻¹ · h	i_N	P_{N2} kW																i_N	n_1 min ⁻¹	n_{N2}		
		M_{N2} N m																				
		... / i																				
		50	63	64	80	81	100	125	140	160	180	200	225	250	280	320	321	360				
280 000	50	-	0,92 385 3i/49,4	1,01 445 3i/51,5	1,8 765 3i/49,8	2,12 900 3i/49,8	3,9 1 700 3i/51,2	8,18 3 450 3i/49,5	10,7 4 600 3i/50,4	15,9 6 900 3i/50,8	21,4 9 300 3i/51	30,6 13 720 3i/52,6	44,4 19 580 3i/51,8	62,5 27 530 3i/51,7	79,5 35 690 3i/52,7	105 47 450 3i/52,9	132 59 310 3i/52,9	175 77 500 3i/52	50	1120	22,4	
	45	-	-	-	-	-	-	11,2 4 810 3i/45,1	17,7 7 510 3i/44,4	24,2 10 240 3i/44,2	33,6 14 580 3i/45,4	46,4 20 660 3i/46,6	63,2 28 160 3i/46,7	89,5 40 240 3i/47,1	104 45 000 3i/45,5	129 56 000 3i/45,5	175 78 280 3i/46,8	45	1000			
	40	-	0,87 380 3i/40,8	0,87 395 3i/42,5	1,45 670 3i/43,6	1,68 775 3i/43,6	3,87 1 610 3i/39,1	7,29 3 160 3i/40,8	11,6 4 750 3i/38,7	18,8 7 670 3i/38,5	22,9 9 690 3i/39,9	34,6 15 240 3i/41,5	48,6 20 830 3i/40,4	65,5 29 480 3i/42,4	91,2 39 860 3i/41,2	117 50 680 3i/41,2	147 63 350 3i/40,7	163 72 940 3i/42,3	40	900		
	35,5	-	-	-	-	-	-	10,7 4 810 3i/37,5	17,3 7 520 3i/36,5	23,6 10 250 3i/36,3	35,4 14 560 3i/34,4	48,9 20 630 3i/35,4	63,9 28 150 3i/36,9	90,6 40 220 3i/37,2	101 45 000 3i/37,4	126 56 010 3i/37,4	168 77 290 3i/38,4	35,5	800			
	31,5	-	0,81 365 3i/33,5	0,88 410 3i/34,9	1,74 765 3i/32,8	2,05 900 3i/32,8	3,54 1 550 3i/32,6	7,2 3 250 3i/33,5	11,9 5 150 3i/32,2	18 7 670 3i/31,6	24,1 10 650 3i/32,8	35,9 15 220 3i/31,5	52,9 21 800 3i/30,6	65,4 29 480 3i/33,5	87 38 090 3i/32,5	113 50 760 3i/33,5	141 63 450 3i/33,5	155 72 320 3i/34,7	31,5	710		
	28	-	-	-	-	-	2,89 1 260 2i/28,8	-	10,8 4 750 3i/29,1	14,6 6 300 3i/28,4	17,8 7 720 3i/28,6	37,1 15 290 3i/27,2	49,7 20 600 3i/27,3	69,8 30 360 3i/28,7	80,1 34 980 3i/28,8	114 51 900 3i/30	142 64 870 3i/30	155 71 000 3i/30,3	28	630		
	25	0,32 130 2i/24,4	0,75 305 2i/24,1	0,84 360 2i/25,1	1,31 580 2i/26	1,51 670 2i/26	3,42 1 380 2i/23,7	6,41 2 630 2i/24,1	8,99 3 690 2i/24,1	13,8 5 790 2i/24,6	19,4 8 400 2i/25,4	28,2 11 680 2i/24,2	39,5 16 830 2i/25	56,4 24 040 2i/25	77 32 310 2i/24,6	98,8 42 120 2i/25	116 49 550 2i/25	161 70 630 2i/25,7	25	560		
	250 000	160	-	-	-	-	-	1 360 3i/151	2 640 3i/153	-	-	-	-	-	-	-	-	-	-			
		125	-	-	-	-	-	3,43 1 610 3i/123	6,77 3 170 3i/123	7,92 3 710 3i/123	11,9 5 820 3i/128	16,8 8 440 3i/131	25,7 11 710 3i/119	36 16 880 3i/123	50,5 24 130 3i/125	69 32 420 3i/123	87,3 42 290 3i/127	103 49 750 3i/127	138 69 000 3i/131	125	2500	20
		100	-	-	-	-	-	3,37 1 650 3i/103	6,76 3 250 3i/101	9,67 4 620 3i/100	13,6 6 940 3i/107	18,2 9 350 3i/108	28,8 13 750 3i/100	41,7 19 620 3i/98,5	58,7 27 590 3i/98,5	74,6 35 760 3i/100	95,2 47 610 3i/105	119 59 510 3i/105	158 77 750 3i/103	100	2000	
90		-	-	-	-	-	-	10 4 760 3i/89,4	15,2 7 550 3i/93,7	17,9 8 870 3i/93,3	31,9 14 610 3i/86,4	44 20 700 3i/88,8	59,8 28 210 3i/89	84,7 40 310 3i/89,7	93,9 44 910 3i/90,1	117 56 130 3i/90,1	163 80 290 3i/92,7	90	1800			
80		-	0,68 305 3i/75,2	0,77 360 3i/78,2	1,16 570 3i/82,7	1,34 660 3i/82,7	3,08 1 390 3i/75,5	5,88 2 640 3i/75,3	9,5 4 620 3i/81,4	13,6 6 940 3i/85,7	18,2 9 350 3i/86,1	27,5 13 770 3i/84	39,8 19 650 3i/82,7	56 27 630 3i/82,7	71,2 35 820 3i/84,3	96,6 47 580 3i/82,5	121 59 480 3i/82,5	160 77 720 3i/81,1	80	1600		
71		-	-	-	-	-	-	9,73 4 830 3i/72,8	14,8 7 560 3i/74,9	20,2 10 300 3i/74,6	29,6 14 650 3i/72,6	40,8 20 750 3i/74,5	55,5 28 280 3i/74,7	78,7 40 410 3i/75,3	92,9 45 000 3i/71	116 56 160 3i/71	164 81 610 3i/73	71	1400			
63		-	0,82 380 3i/60,1	0,82 395 3i/62,6	1,32 670 3i/66,3	1,53 775 3i/66,3	3,44 1 610 3i/61,5	6,88 3 170 3i/60,2	9,75 4 610 3i/62	14,3 6 930 3i/63,5	19,2 9 340 3i/63,8	28,7 13 750 3i/62,6	41,6 19 620 3i/61,7	58,7 27 590 3i/61,5	74,6 35 760 3i/62,7	92,9 47 640 3i/67,1	116 59 560 3i/67,1	154 77 820 3i/66	63	1250		
56		-	-	-	-	-	-	10,1 4 760 3i/55,4	15,9 7 540 3i/55,5	18,8 8 860 3i/55,3	31,7 14 610 3i/54,1	43,7 20 700 3i/55,5	59,5 28 220 3i/55,6	84,4 40 310 3i/56	91,4 45 000 3i/57,8	114 56 190 3i/57,8	159 80 360 3i/59,4	56	1120			
50		-	0,82 385 3i/49,4	0,91 450 3i/51,5	1,63 775 3i/49,8	1,91 910 3i/49,8	3,48 1 700 3i/51,2	7,3 3 450 3i/49,5	9,58 4 620 3i/50,4	14,3 6 930 3i/50,8	19,2 9 340 3i/51	27,4 13 770 3i/52,6	39,7 19 650 3i/51,8	56 27 630 3i/51,7	71,2 35 820 3i/52,7	94,3 47 620 3i/52,9	118 59 530 3i/52,9	157 77 780 3i/52	50	1000		
45		-	-	-	-	-	-	10,1 4 820 3i/45,1	16 7 540 3i/44,4	21,9 10 270 3i/44,2	30,4 14 630 3i/45,4	41,9 20 730 3i/46,6	57 28 260 3i/46,7	80,9 40 370 3i/47,1	93,2 45 000 3i/45,5	116 56 150 3i/45,5	163 80 790 3i/46,8	45	900			
40	-	0,78 380 3i/40,8	0,78 395 3i/42,5	1,29 670 3i/43,6	1,49 775 3i/43,6	3,46 1 610 3i/39,1	6,51 3 170 3i/40,8	10,3 4 770 3i/38,7	16,8 7 720 3i/38,5	20,4 9 730 3i/39,9	31,1 15 400 3i/41,5	43,4 20 910 3i/40,4	58,9 29 850 3i/42,4	83,6 41 080 3i/41,2	106 51 360 3i/40,7	132 64 200 3i/40,7	150 75 560 3i/42,3	40	800			

For n_1 lower than 560 min⁻¹ see page 107.

$n_{N2} \cdot L_h$ min ⁻¹ · h	i_N	P_{N2} kW																i_N	n_1 min ⁻¹	n_{N2}	
		M_{N2} N m																			
		50	63	64	80	81	100	125	140	160	180	200	225	250	280	320	321				360
250 000	35,5	-	-	-	-	-	-	9,57 4 830 31/37,5	15,4 7 550 31/36,5	21,1 10 290 31/36,3	31,6 14 610 31/34,4	43,5 20 700 31/35,4	56,9 28 260 31/36,9	80,7 40 370 31/37,2	89,5 45 000 31/37,4	112 56 240 31/37,4	155 80 110 31/38,4	35,5	710	20	
	31,5	-	0,72 365 31/33,5	0,78 410 31/34,9	1,57 780 31/32,8	1,85 915 31/32,8	3,14 1 550 31/32,6	6,39 3 250 31/33,5	10,6 5 150 31/32,2	16,2 7 750 31/31,6	21,5 10 690 31/32,8	32,1 15 320 31/31,5	47 21 800 31/30,6	58,7 29 870 31/33,5	80,1 39 490 31/32,5	102 51 690 31/33,5	127 64 610 31/33,5	142 74 960 31/34,7	31,5	630	
	28	-	-	-	-	-	2,58 1 270 21/28,8	-	9,58 4 750 31/29,1	13 6 300 31/28,4	15,9 7 750 31/28,6	33,4 15 500 31/27,2	44,2 20 600 31/27,3	63,1 30 900 31/28,7	73,7 36 230 31/28,8	105 53 760 31/30	131 67 210 31/30	138 71 000 31/30,3	28	560	
224 000	160	-	-	-	-	-	2,7 1 390 31/151	5,08 2 650 31/153	-	-	-	-	-	-	-	-	-	-	160	2800	18
	125	-	-	-	-	-	3,08 1 620 31/123	6,08 3 180 31/123	7,12 3 720 31/123	10,7 5 840 31/128	15,1 8 470 31/131	23,1 11 750 31/119	32,4 16 940 31/123	45,4 24 210 31/125	62 32 540 31/123	78,5 42 440 31/127	92,4 49 930 31/127	124 69 000 31/131	125	2240	
	100	-	-	-	-	-	3,03 1 650 31/103	6,27 3 350 31/101	8,73 4 630 31/100	12,3 6 960 31/107	16,4 9 380 31/108	26 13 790 31/100	37,7 19 690 31/98,5	53 27 680 31/98,5	67,4 35 880 31/100	86 47 760 31/105	107 59 710 31/105	143 78 010 31/103	100	1800	
	90	-	-	-	-	-	-	8,96 4 780 31/89,4	13,7 7 650 31/93,7	16 8 900 31/93,3	28,4 14 680 31/86,4	39,3 20 800 31/88,8	53,5 28 400 31/89	75,8 40 580 31/89,7	84,5 45 460 31/90,1	106 56 820 31/90,1	146 80 590 31/92,7	90	1600		
	80	-	0,6 310 31/75,2	0,68 360 31/78,2	1,03 580 31/82,7	1,19 670 31/82,7	2,71 1 390 31/75,5	5,16 2 650 31/75,3	8,35 4 640 31/81,4	11,9 6 970 31/85,7	16 9 390 31/86,1	24,1 13 820 31/84	35 19 730 31/82,7	49,2 27 750 31/82,7	62,6 35 970 31/84,3	84,9 47 780 31/82,5	106 59 730 31/82,5	141 78 040 31/81,1	80	1400	
	71	-	-	-	-	-	-	8,79 4 880 31/72,8	13,4 7 680 31/74,9	18,4 10 460 31/74,6	26,8 14 840 31/72,6	36,9 21 020 31/74,5	50,3 28 720 31/74,7	71,3 41 030 31/75,3	83,9 45 510 31/71	105 56 890 31/71	151 84 430 31/73	71	1250		
	63	-	0,74 380 31/60,1	0,74 395 31/62,6	1,19 670 31/66,3	1,37 775 31/66,3	3,09 1 620 31/61,5	6,19 3 180 31/60,2	8,77 4 630 31/62	12,8 6 950 31/63,5	17,2 9 370 31/63,8	25,8 13 790 31/62,6	37,4 19 690 31/61,7	52,8 27 690 31/61,5	67,1 35 880 31/62,7	83,6 47 810 31/67,1	104 59 760 31/67,1	139 78 090 31/66	63	1120	
	56	-	-	-	-	-	-	9,04 4 780 31/55,4	14,3 7 590 31/55,5	16,8 8 890 31/55,3	28,4 14 680 31/54,1	39,2 20 800 31/55,5	53,5 28 400 31/55,6	75,8 40 580 31/56	82,7 45 630 31/57,8	103 57 030 31/57,8	142 80 650 31/59,4	56	1000		
	50	-	0,74 385 31/49,4	0,83 455 31/51,5	1,49 785 31/49,8	1,75 925 31/49,8	3,13 1 700 31/51,2	6,57 3 450 31/49,5	8,65 4 630 31/50,4	12,9 6 950 31/50,8	17,3 9 370 31/51	24,8 13 810 31/52,6	35,9 19 720 31/51,8	50,6 27 720 31/51,7	64,3 35 930 31/52,7	85,2 47 780 31/52,9	106 59 720 31/52,9	141 78 040 31/52	50	900	
	45	-	-	-	-	-	-	9,03 4 860 31/45,1	14,3 7 590 31/44,4	19,6 10 340 31/44,2	27,3 14 790 31/45,4	37,6 20 950 31/46,6	51,3 28 610 31/46,7	72,8 40 880 31/47,1	83,8 45 520 31/45,5	105 56 900 31/45,5	150 83 700 31/46,8	45	800		
40	-	0,69 380 31/40,8	0,69 395 31/42,5	1,14 670 31/43,6	1,32 775 31/43,6	3,08 1 620 31/39,1	5,8 3 180 31/40,8	9,2 4 780 31/38,7	15 7 750 31/38,5	18,2 9 750 31/39,9	27,7 15 500 31/41,5	38,6 20 990 31/40,4	53,3 30 400 31/42,4	75,4 41 770 31/41,2	95,4 52 290 31/40,7	119 65 370 31/40,7	138 78 320 31/42,3	40	710		
35,5	-	-	-	-	-	-	8,61 4 900 31/37,5	13,8 7 640 31/36,5	18,9 10 410 31/36,3	28,2 14 710 31/34,4	38,9 20 830 31/35,4	51,2 28 630 31/36,9	72,6 40 900 31/37,2	80,9 45 810 31/37,4	101 57 270 31/37,4	142 83 040 31/38,4	35,5	630			
31,5	-	0,64 365 31/33,5	0,69 410 31/34,9	1,42 795 31/32,8	1,66 925 31/32,8	2,79 1 550 31/32,6	5,68 3 250 31/33,5	9,38 5 150 31/32,2	14,4 7 750 31/31,6	19,2 10 730 31/32,8	28,9 15 500 31/31,5	41,7 21 800 31/30,6	53,2 30 410 31/33,5	73,7 40 910 31/32,5	92,2 52 620 31/33,5	115 65 770 31/33,5	131 77 660 31/34,7	31,5	560		
200 000	160	-	-	-	-	-	2,42 1 400 31/151	4,55 2 660 31/153	-	-	-	-	-	-	-	-	-	-	160	2500	16
	125	-	-	-	-	-	2,78 1 630 31/123	5,47 3 200 31/123	6,38 3 730 31/123	9,62 5 860 31/128	13,6 8 500 31/131	20,7 11 790 31/119	29 17 000 31/123	40,7 24 300 31/125	55,6 32 650 31/123	70,4 42 590 31/127	82,8 50 100 31/127	115 71 410 31/131	125	2000	

For n_1 lower than 560 min⁻¹ see page 107.

Helical gear reducer selection tables

7

$n_{N2} \cdot L_h$ min ⁻¹ · h	i_N	P_{N2} kW																i_N	n_1 min ⁻¹	n_{N2} min ⁻¹	
		M_{N2} N m																			
		... / i																			
		50	63	64	80	81	100	125	140	160	180	200	225	250	280	320	321	360			
200 000	100	-	-	-	-	-	2,77 1 700 3/103	5,58 3 350 3/101	7,81 4 660 3/100	11 7 050 3/107	14,8 9 510 3/108	23,2 13 860 3/100	33,6 19 780 3/98,5	47,4 27 870 3/98,5	60,3 36 120 3/100	77,4 48 350 3/105	96,7 60 430 3/105	128 78 960 3/103	100	1600	16
	90	-	-	-	-	-	-	-	7,88 4 800 3/89,4	12,1 7 750 3/93,7	14,1 8 940 3/93,3	25,4 14 980 3/86,4	35 21 220 3/88,8	47,7 28 980 3/89	67,7 41 410 3/89,7	75,5 46 380 3/90,1	94,3 57 980 3/90,1	128 80 930 3/92,7	90	1400	
	80	-	0,54 310 3/75,2	0,61 365 3/78,2	0,92 580 3/82,7	1,06 670 3/82,7	2,43 1 400 3/75,5	4,63 2 660 3/75,3	7,54 4 690 3/81,4	10,8 7 080 3/85,7	14,5 9 540 3/86,1	21,8 14 010 3/84	31,6 20 000 3/82,7	44,6 28 170 3/82,7	56,7 36 520 3/84,3	76,8 48 410 3/82,5	96 60 510 3/81,1	128 79 070 3/81,1	80	1250	
	71	-	-	-	-	-	-	-	8 4 970 3/72,8	12,1 7 750 3/74,9	16,7 10 640 3/74,6	24,4 15 090 3/72,6	33,6 21 370 3/74,5	45,8 29 200 3/74,7	65 41 710 3/75,3	76,4 46 280 3/71	95,5 57 840 3/71	140 87 260 3/73	71	1120	
	63	-	0,66 380 3/60,1	0,66 395 3/62,6	1,06 670 3/66,3	1,22 775 3/66,3	2,78 1 630 3/61,5	5,54 3 190 3/60,2	7,87 4 650 3/62	11,5 7 000 3/63,5	15,5 9 430 3/63,8	23,2 13 860 3/62,6	33,6 19 780 3/61,7	47,4 27 870 3/61,5	60,3 36 120 3/62,7	75,7 48 530 3/67,1	94,7 60 660 3/67,1	126 79 260 3/66	63	1000	
	56	-	-	-	-	-	-	-	8,16 4 800 3/55,4	13,1 7 710 3/55,5	15,2 8 920 3/55,3	26 14 920 3/54,1	35,9 21 130 3/55,5	48,9 28 860 3/55,6	69,3 41 230 3/56	75,7 46 360 3/57,8	94,6 57 950 3/57,8	128 80 920 3/59,4	56	900	
	50	-	0,66 385 3/49,4	0,75 465 3/51,5	1,34 800 3/49,8	1,58 940 3/49,8	2,78 1 700 3/51,2	5,84 3 450 3/49,5	7,75 4 670 3/50,4	11,5 7 000 3/50,8	15,5 9 430 3/51	22,2 13 960 3/52,6	32,2 19 930 3/51,8	45,5 28 070 3/51,7	57,9 36 390 3/52,7	76,7 48 420 3/52,9	95,9 60 520 3/52,9	127 79 080 3/52	50	800	
	45	-	-	-	-	-	-	-	8,16 4 950 3/45,1	12,9 7 730 3/44,4	17,7 10 530 3/44,2	24,6 15 060 3/45,4	34 21 330 3/46,6	46,4 29 130 3/46,7	65,8 41 620 3/47,1	75,7 46 350 3/45,5	94,7 57 940 3/45,5	138 86 750 3/46,8	45	710	
	40	-	0,62 385 3/40,8	0,62 400 3/42,5	1,01 670 3/43,6	1,18 775 3/43,6	2,76 1 640 3/39,1	5,21 3 220 3/40,8	8,19 4 800 3/38,7	13,3 7 750 3/38,5	16,1 9 750 3/39,9	24,6 15 500 3/41,5	34,4 21 060 3/40,4	48,1 30 950 3/42,4	67,2 41 930 3/41,2	86,2 53 250 3/40,7	108 66 560 3/40,7	127 81 180 3/42,3	40	630	
	35,5	-	-	-	-	-	-	-	7,79 4 990 3/37,5	12,5 7 750 3/36,5	17,1 10 590 3/36,3	25,5 14 970 3/34,4	35,2 21 210 3/35,4	46,3 29 140 3/36,9	65,7 41 640 3/37,2	73,2 46 640 3/37,4	91,5 58 300 3/37,4	131 86 020 3/38,4	35,5	560	
180 000	160	-	-	-	-	-	2,17 1 400 3/151	4,09 2 670 3/153	-	-	-	-	-	-	-	-	-	-	160	2240	14
	125	-	-	-	-	-	2,54 1 660 3/123	5 3 250 3/123	5,76 3 750 3/123	8,68 5 880 3/128	12,2 8 530 3/131	18,7 11 830 3/119	26,2 17 060 3/123	36,8 24 380 3/125	50,2 32 760 3/123	63,5 42 730 3/127	74,8 50 270 3/127	103 71 650 3/131	125	1800	
	100	-	-	-	-	-	2,43 1 700 3/103	5,03 3 450 3/101	6,97 4 760 3/100	9,85 7 200 3/107	13,2 9 700 3/108	20,7 14 140 3/100	30 20 180 3/98,5	42,3 28 440 3/98,5	53,8 36 860 3/100	69,1 49 330 3/105	86,3 61 670 3/105	115 80 580 3/103	100	1400	
	90	-	-	-	-	-	-	-	7,06 4 820 3/89,4	10,8 7 750 3/93,7	12,6 8 970 3/93,3	23,1 15 240 3/86,4	31,7 21 480 3/88,8	43,4 29 490 3/89	61,2 41 940 3/89,7	68,5 47 180 3/90,1	85,7 58 980 3/90,1	115 81 220 3/92,7	90	1250	
	80	-	0,48 310 3/75,2	0,55 365 3/78,2	0,82 580 3/82,7	0,95 670 3/82,7	2,18 1 400 3/75,5	4,16 2 670 3/75,3	6,87 4 770 3/81,4	9,85 7 200 3/85,7	13,2 9 700 3/86,1	19,9 14 240 3/84	28,8 20 330 3/82,7	40,6 28 650 3/82,7	51,7 37 130 3/84,3	70 49 220 3/82,5	87,5 61 530 3/82,5	116 80 390 3/81,1	80	1120	
	71	-	-	-	-	-	-	-	7,27 5 050 3/72,8	10,8 7 750 3/74,9	15,2 10 820 3/74,6	22,1 15 350 3/72,6	30,6 21 740 3/74,5	41,6 29 700 3/74,7	59 42 430 3/75,3	69,4 47 080 3/71	86,8 58 840 3/71	125 87 500 3/73	71	1000	
	63	-	0,61 385 3/60,1	0,61 405 3/62,6	0,95 670 3/66,3	1,11 785 3/66,3	2,55 1 660 3/61,5	5,07 3 240 3/60,2	7,19 4 730 3/62	10,6 7 110 3/63,5	14,2 9 580 3/63,8	21,2 14 080 3/62,6	30,7 20 100 3/61,7	43,4 28 320 3/61,5	55,1 36 700 3/62,7	69,3 49 310 3/67,1	86,6 61 640 3/67,1	115 80 540 3/66	63	900	
	56	-	-	-	-	-	-	-	7,28 4 810 3/55,4	11,7 7 750 3/55,5	13,6 8 950 3/55,3	23,5 15 190 3/54,1	32,4 21 470 3/55,5	44,2 29 380 3/55,6	62,6 41 910 3/56	68,5 47 190 3/57,8	85,6 58 990 3/57,8	115 81 220 3/59,4	56	800	

For n_1 lower than 560 min⁻¹ see page 107.

$n_{N2} \cdot L_h$ min ⁻¹ · h	i_N	P_{N2} kW																	i_N	n_1	n_{N2} min ⁻¹
		M_{N2} N m																			
		... / i																			
		50	63	64	80	81	100	125	140	160	180	200	225	250	280	320	321	360			
180 000	50	-	0,58 385 3i/49,4	0,68 470 3i/51,5	1,22 815 3i/49,8	1,43 960 3i/49,8	2,47 1 700 3i/51,2	5,18 3 450 3i/49,5	7 4 750 3i/50,4	10,4 7 120 3i/50,8	14 9 600 3i/51	20,1 14 210 3i/52,6	29,1 20 290 3i/51,8	41,1 28 580 3i/51,7	52,3 37 050 3i/52,7	69,3 49 300 3i/52,9	86,7 61 630 3i/52,9	115 80 520 3i/52	50	710	14
	45	-	-	-	-	-	-	7,37 5 040 3i/45,1	11,5 7 750 3i/44,4	16 10 720 3i/44,2	22,3 15 330 3i/45,4	30,7 21 720 3i/46,6	41,9 29 670 3i/46,7	59,4 42 380 3i/47,1	68,4 47 200 3i/45,5	85,5 59 000 3i/45,5	123 87 500 3i/46,8	45	630		
	40	-	0,56 385 3i/40,8	0,56 410 3i/42,5	0,9 670 3i/43,6	1,06 790 3i/43,6	2,5 1 670 3i/39,1	4,71 3 280 3i/40,8	7,31 4 820 3i/38,7	11,8 7 750 3i/38,5	14,3 9 750 3i/39,9	21,9 15 500 3i/41,5	30,7 21 140 3i/40,4	43,5 31 500 3i/42,4	59,9 42 080 3i/41,2	78 54 210 3i/40,7	97,5 67 760 3i/40,7	117 84 100 3i/42,3	40	560	
160 000	160	-	-	-	-	1,96 1 420 3i/151	3,68 2 690 3i/153	-	-	-	-	-	-	-	-	-	-	-	160	2000	12,5
	125	-	-	-	-	2,3 1 690 3i/123	4,52 3 310 3i/123	5,15 3 770 3i/123	7,82 5 950 3i/128	11 8 640 3i/131	16,7 11 890 3i/119	23,4 17 140 3i/123	32,9 24 550 3i/125	44,9 32 980 3i/123	57,2 43 250 3i/127	67,3 50 880 3i/127	93,1 72 520 3i/131	125	1600		
	100	-	-	-	-	2,17 1 700 3i/103	4,49 3 450 3i/101	6,33 4 840 3i/100	8,95 7 320 3i/107	12 9 870 3i/108	18,8 14 380 3i/100	27,3 20 530 3i/98,5	38,5 28 930 3i/98,5	48,9 37 500 3i/100	62,7 50 190 3i/105	78,4 62 730 3i/105	104 81 970 3i/103	100	1250		
	90	-	-	-	-	-	6,35 4 840 3i/89,4	9,7 7 750 3i/93,7	11,3 9 000 3i/93,3	21 15 490 3i/86,4	28,5 21 560 3i/88,8	39,5 29 980 3i/89	55 42 090 3i/89,7	62,4 47 980 3i/90,1	78 59 970 3i/90,1	103 81 500 3i/92,7	90	1120			
	80	-	0,43 310 3i/75,2	0,49 365 3i/78,2	0,73 580 3i/82,7	0,85 670 3i/82,7	1,96 1 420 3i/75,5	3,73 2 680 3i/75,3	6,24 4 850 3i/81,4	8,95 7 320 3i/85,7	12 9 870 3i/86,1	18,1 14 490 3i/84	26,2 20 680 3i/82,7	36,9 29 140 3i/82,7	46,9 37 770 3i/84,3	63,6 50 070 3i/82,5	79,4 62 590 3i/82,5	106 81 780 3i/81,1	80	1000	
	71	-	-	-	-	-	6,65 5 130 3i/72,8	9,75 7 750 3i/74,9	13,8 10 900 3i/74,6	20,1 15 500 3i/72,6	27,6 21 800 3i/74,5	38,1 30 180 3i/74,7	54 43 120 3i/75,3	63,5 47 830 3i/71	79,4 59 790 3i/71	113 87 500 3i/73	71	900			
	63	-	0,54 385 3i/60,1	0,55 410 3i/62,6	0,86 680 3i/66,3	1,01 800 3i/66,3	2,3 1 690 3i/61,5	4,59 3 300 3i/60,2	6,51 4 810 3i/62	9,55 7 240 3i/63,5	12,8 9 750 3i/63,8	19,2 14 330 3i/62,6	27,8 20 460 3i/61,7	39,2 28 830 3i/61,5	49,9 37 360 3i/62,7	62,7 50 200 3i/67,1	78,3 62 750 3i/67,1	104 81 980 3i/66	63	800	
	56	-	-	-	-	-	6,49 4 830 3i/55,4	10,4 7 750 3i/55,5	12,1 8 980 3i/55,3	21,2 15 460 3i/54,1	28,8 21 550 3i/55,5	40 29 910 3i/55,6	55,8 42 070 3i/56	61,9 48 050 3i/57,8	77,3 60 070 3i/57,8	102 81 530 3i/59,4	56	710			
	50	-	0,52 385 3i/49,4	0,61 480 3i/51,5	1,09 825 3i/49,8	1,28 965 3i/49,8	2,19 1 700 3i/51,2	4,6 3 450 3i/49,5	6,33 4 840 3i/50,4	9,42 7 250 3i/50,8	12,6 9 780 3i/51	18,2 14 470 3i/52,6	26,3 20 660 3i/51,8	37,2 29 110 3i/51,7	47,3 37 730 3i/52,7	62,6 50 200 3i/52,9	78,3 62 750 3i/52,9	104 81 990 3i/52	50	630	
45	-	-	-	-	-	6,67 5 130 3i/45,1	10,2 7 750 3i/44,4	14,4 10 890 3i/44,2	20 15 500 3i/45,4	27,4 21 800 3i/46,6	37,9 30 200 3i/46,7	53,8 43 140 3i/47,1	61,9 48 050 3i/45,5	77,4 60 060 3i/45,5	110 87 500 3i/46,8	45	560				
140 000	160	-	-	-	-	1,79 1 440 3i/151	3,36 2 730 3i/153	-	-	-	-	-	-	-	-	-	-	-	160	1800	11,2
	125	-	-	-	-	2,02 1 700 3i/123	4,04 3 370 3i/123	4,6 3 850 3i/123	6,98 6 070 3i/128	9,84 8 820 3i/131	14,9 12 130 3i/119	20,9 17 490 3i/123	29,4 25 050 3i/125	40,1 33 650 3i/123	51 44 130 3i/127	60 51 920 3i/127	82 73 000 3i/131	125	1400		
	100	-	-	-	-	1,94 1 700 3i/103	4,02 3 450 3i/101	5,77 4 920 3i/100	8,15 7 440 3i/107	10,9 10 030 3i/108	17,1 14 620 3i/100	24,8 20 880 3i/98,5	35 29 410 3i/98,5	44,6 38 120 3i/100	57,2 51 030 3i/105	71,4 63 780 3i/105	94,9 83 340 3i/103	100	1120		
	90	-	-	-	-	-	5,69 4 850 3i/89,4	8,66 7 750 3i/93,7	10,1 9 040 3i/93,3	18,8 15 500 3i/86,4	25,5 21 630 3i/88,8	35,9 30 500 3i/89	49,3 42 240 3i/89,7	56,7 48 800 3i/90,1	70,9 61 010 3i/90,1	92,4 81 790 3i/92,7	90	1000			
	80	-	0,4 315 3i/75,2	0,45 370 3i/78,2	0,66 580 3i/82,7	0,76 670 3i/82,7	1,8 1 440 3i/75,5	3,41 2 720 3i/75,3	5,7 4 930 3i/81,4	8,18 7 440 3i/85,7	11 10 030 3i/86,1	16,5 14 720 3i/84	23,9 21 010 3i/82,7	33,8 29 610 3i/82,7	42,9 38 380 3i/84,3	58,1 50 880 3i/82,5	72,6 63 590 3i/82,5	96,5 83 090 3i/81,1	80	900	

For n_1 lower than 560 min⁻¹ see page 107.

$n_{N2} \cdot L_h$ min ⁻¹ · h	i_N	P_{N2} kW																i_N	n_1	n_{N2} min ⁻¹		
		M_{N2} N m																				
		... / i																				
		50	63	64	80	81	100	125	140	160	180	200	225	250	280	320	321	360				
140 000	71	-	-	-	-	-	-	-	5,93 5 150 3/72,8	8,66 7 750 3/74,9	12,2 10 900 3/74,6	17,9 15 500 3/72,6	24,5 21 800 3/74,5	34,4 30 720 3/74,7	48,6 43 700 3/75,3	57,4 48 690 3/71	71,8 60 860 3/71	100 87 500 3/73	71	800	11,2	
	63	-	0,48 385 3/60,1	0,5 420 3/62,6	0,77 690 3/66,3	0,91 810 3/66,3	2,06 1 700 3/61,5	4,15 3 360 3/60,2	5,88 4 900 3/62	8,63 7 370 3/63,5	11,6 9 930 3/63,8	17,3 14 600 3/62,6	25,1 20 840 3/61,7	35,5 29 350 3/61,5	45,1 38 040 3/62,7	56,6 51 110 3/67,1	70,8 63 890 3/67,1	94 83 480 3/66	63	710		
	56	-	-	-	-	-	-	-	5,78 4 850 3/55,4	9,21 7 750 3/55,5	10,7 9 000 3/54,1	18,9 15 500 3/54,1	25,7 21 630 3/55,5	36,1 30 460 3/55,6	49,7 42 230 3/56	55,9 48 930 3/57,8	69,9 61 160 3/57,8	90,9 81 830 3/59,4	56	630		
	50	-	0,46 385 3/49,4	0,55 485 3/51,5	0,97 825 3/49,8	1,14 970 3/49,8	1,95 1 700 3/51,2	4,09 3 450 3/49,5	5,73 4 930 3/50,4	8,53 7 390 3/50,8	11,4 9 950 3/51	16,4 14 730 3/52,6	23,8 21 030 3/51,8	33,6 29 630 3/51,7	42,8 38 400 3/52,7	56,7 51 100 3/52,9	70,9 63 880 3/52,9	94,1 83 460 3/52	50	560		
125 000	160	-	-	-	-	-	1,62 1 460 3/151	3,04 2 780 3/153	-	-	-	-	-	-	-	-	-	-	160	1600	10	
	125	-	-	-	-	-	1,8 1 700 3/123	3,67 3 430 3/123	4,18 3 910 3/123	6,34 6 180 3/128	8,94 8 970 3/131	13,6 12 340 3/119	19 17 790 3/123	26,7 25 480 3/125	36,4 34 240 3/123	46,4 44 900 3/127	54,5 52 820 3/127	73,2 73 000 3/131	125	1250		
	100	-	-	-	-	-	1,73 1 700 3/103	3,59 3 450 3/101	5,24 5 000 3/100	7,33 7 500 3/107	9,93 10 210 3/108	15,6 14 880 3/100	22,5 21 200 3/98,5	31,8 29 920 3/98,5	40,5 38 780 3/100	51,9 51 910 3/105	64,9 64 890 3/105	86,2 84 780 3/103	100	1000		
	90	-	-	-	-	-	-	-	5,13 4 870 3/89,4	7,8 7 750 3/93,7	9,16 9 070 3/93,3	16,9 15 500 3/86,4	23 21 710 3/88,8	32,8 30 990 3/89	44,5 42 380 3/89,7	51,9 49 590 3/90,1	64,8 61 990 3/90,1	83,4 82 060 3/92,7	90	900		
	80	-	0,36 325 3/75,2	0,41 380 3/78,2	0,59 580 3/82,7	0,69 675 3/82,7	1,63 1 460 3/75,5	3,09 2 770 3/75,3	5,14 5 000 3/81,4	7,33 7 500 3/85,7	9,93 10 210 3/86,1	14,9 14 990 3/84	21,5 21 200 3/82,7	30,5 30 140 3/82,7	38,8 39 070 3/84,3	52,6 51 790 3/82,5	65,7 64 740 3/82,5	87,3 84 590 3/81,1	80	800		
	71	-	-	-	-	-	-	-	5,26 5 150 3/72,8	7,69 7 750 3/74,9	10,9 10 900 3/74,6	15,9 15 500 3/72,6	21,8 21 800 3/74,5	31,1 31 280 3/74,7	43,2 43 700 3/75,3	51,9 49 580 3/71	64,9 61 970 3/71	89,1 87 500 3/73	71	710		
	63	-	0,42 385 3/60,1	0,45 425 3/62,6	0,7 705 3/66,3	0,82 825 3/66,3	1,82 1 700 3/61,5	3,75 3 420 3/60,2	5,31 4 990 3/62	7,79 7 500 3/63,5	10,5 10 110 3/63,8	15,7 14 860 3/62,6	22,7 21 200 3/61,7	32 29 890 3/61,5	40,7 38 740 3/62,7	51,2 52 040 3/67,1	63,9 65 000 3/67,1	85 85 000 3/66	63	630		
56	-	-	-	-	-	-	-	5,16 4 870 3/55,4	8,19 7 750 3/55,5	9,55 9 000 3/55,3	16,8 15 500 3/54,1	22,9 21 710 3/55,5	32,7 31 010 3/55,6	44,3 42 380 3/56	50,6 49 810 3/57,8	63,2 62 260 3/57,8	81,1 82 140 3/59,4	56	560			
112 000	160	-	-	-	-	-	1,45 1 490 3/151	2,72 2 840 3/153	-	-	-	-	-	-	-	-	-	-	160	1400	9	
	125	-	-	-	-	-	1,62 1 700 3/123	3,3 3 450 3/123	3,81 3 980 3/123	5,78 6 280 3/128	8,14 9 120 3/131	12,3 12 550 3/119	17,3 18 090 3/123	24,3 25 910 3/125	33,2 34 810 3/123	42,2 45 650 3/127	49,7 53 700 3/127	65,6 73 000 3/131	125	1120		
	100	-	-	-	-	-	1,56 1 700 3/103	3,23 3 450 3/101	4,71 5 000 3/100	6,6 7 500 3/107	9,08 10 370 3/108	14,2 15 120 3/100	20,3 21 200 3/98,5	29,1 30 400 3/98,5	37 39 410 3/100	47,5 52 740 3/105	58,5 65 000 3/105	77,8 85 000 3/103	100	900		
	90	-	-	-	-	-	-	-	4,58 4 890 3/89,4	6,93 7 750 3/93,7	8,17 9 100 3/93,3	15 15 500 3/86,4	20,6 21 790 3/88,8	29,7 31 500 3/89	39,7 42 530 3/89,7	46,9 50 480 3/90,1	58,7 63 100 3/90,1	74,4 82 370 3/92,7	90	800		
	80	-	0,32 330 3/75,2	0,37 385 3/78,2	0,53 585 3/82,7	0,62 690 3/82,7	1,47 1 490 3/75,5	2,79 2 820 3/75,3	4,57 5 000 3/81,4	6,51 7 500 3/85,7	8,97 10 390 3/86,1	13,5 15 260 3/84	19 21 200 3/82,7	27,6 30 690 3/82,7	35,1 39 780 3/84,3	47,5 52 730 3/82,5	58,6 65 000 3/82,5	77,9 85 000 3/81,1	80	710		
71	-	-	-	-	-	-	-	4,67 5 150 3/72,8	6,82 7 750 3/74,9	9,64 10 900 3/74,6	14,1 15 500 3/72,6	19,3 21 800 3/74,5	27,8 31 500 3/74,7	38,3 43 700 3/75,3	46,9 50 480 3/71	58,6 63 100 3/71	79 87 500 3/73	71	630			

For n_1 lower than 560 min⁻¹ see page 107.

$n_{N2} \cdot L_h$ min ⁻¹ · h	i_N	P_{N2} kW																i_N	n_1 min ⁻¹	n_{N2}	
		M_{N2} N m																			
		i																			
50	63	64	80	81	100	125	140	160	180	200	225	250	280	320	321	360					
112 000	63	-	0,38 385 3i/60,1	0,41 435 3i/62,6	0,63 715 3i/66,3	0,74 840 3i/66,3	1,62 1 700 3i/61,5	3,36 3 450 3i/60,2	4,73 5 000 3i/62	6,93 7 500 3i/63,5	9,46 10 290 3i/63,8	14,2 15 130 3i/62,6	20,2 21 200 3i/61,7	29 30 420 3i/61,5	36,9 39 430 3i/62,7	46,3 52 980 3i/67,1	56,8 65 000 3i/67,1	75,5 85 000 3i/66	63	560	9
100 000	160	-	-	-	-	1,3 1 500 3i/151	2,47 2 890 3i/153	-	-	-	-	-	-	-	-	-	-	-	160	1250	8
	125	-	-	-	-	1,44 1 700 3i/123	2,95 3 450 3i/123	3,46 4 050 3i/123	5,25 6 390 3i/128	7,37 9 250 3i/131	11,2 12 760 3i/119	15,7 18 400 3i/123	22,1 26 350 3i/125	30,1 35 410 3i/123	38,2 46 200 3i/127	45 54 500 3i/127	58,5 73 000 3i/131	125	1000		
	100	-	-	-	-	1,39 1 700 3i/103	2,87 3 450 3i/101	4,19 5 000 3i/100	5,87 7 500 3i/107	8,17 10 500 3i/108	12,9 15 390 3i/100	18 21 200 3i/98,5	26,1 30 700 3i/98,5	33,5 40 120 3i/100	42,4 53 000 3i/105	52 65 000 3i/105	69,1 85 000 3i/103	100	800		
	90	-	-	-	-	-	-	4,08 4 910 3i/89,4	6,15 7 750 3i/93,7	7,28 9 130 3i/93,3	13,3 15 500 3i/86,4	18,3 21 800 3i/88,8	26,3 31 500 3i/89	35,4 42 690 3i/89,7	42,4 51 400 3i/90,1	53 64 250 3i/90,1	66,2 82 500 3i/92,7	90	710		
	80	-	0,29 335 3i/75,2	0,33 395 3i/78,2	0,48 595 3i/82,7	0,56 700 3i/82,7	1,31 1 500 3i/75,5	2,52 2 880 3i/75,3	4,05 5 000 3i/81,4	5,78 7 500 3i/85,7	8,11 10 580 3i/86,1	12,2 15 500 3i/84	16,9 21 200 3i/82,7	24,5 30 700 3i/82,7	31,7 40 510 3i/84,3	42,4 53 000 3i/82,5	52 65 000 3i/82,5	69,1 85 000 3i/81,1	80	630	
	71	-	-	-	-	-	-	4,15 5 150 3i/72,8	6,06 7 750 3i/74,9	8,57 10 900 3i/74,6	12,5 15 500 3i/72,6	17,2 21 800 3i/74,5	24,7 31 500 3i/74,7	34 43 700 3i/75,3	42,4 51 390 3i/71	53,1 64 240 3i/71	70,3 87 500 3i/73	71	560		
90 000	160	-	-	-	-	1,16 1 500 3i/151	2,25 2 930 3i/153	-	-	-	-	-	-	-	-	-	-	-	160	1120	7,1
	125	-	-	-	-	1,3 1 700 3i/123	2,65 3 450 3i/123	3,16 4 110 3i/123	4,8 6 490 3i/128	6,63 9 250 3i/131	10,3 12 970 3i/119	14,2 18 500 3i/123	20 26 500 3i/125	27,6 35 980 3i/123	34,3 46 200 3i/127	40,5 54 500 3i/127	52,7 73 000 3i/131	125	900		
	100	-	-	-	-	1,23 1 700 3i/103	2,55 3 450 3i/101	3,72 5 000 3i/100	5,21 7 500 3i/107	7,28 10 540 3i/108	11,5 15 500 3i/100	16 21 200 3i/98,5	23,2 30 700 3i/98,5	30,3 40 850 3i/100	37,6 53 000 3i/105	46,2 65 000 3i/105	61,4 85 000 3i/103	100	710		
	90	-	-	-	-	-	-	3,63 4 920 3i/89,4	5,46 7 750 3i/93,7	6,48 9 170 3i/93,3	11,8 15 500 3i/86,4	16,2 21 800 3i/88,8	23,3 31 500 3i/89	31,5 42 860 3i/89,7	38,3 52 340 3i/90,1	47,9 65 420 3i/90,1	58,7 82 500 3i/92,7	90	630		
	80	-	0,26 335 3i/75,2	0,3 400 3i/78,2	0,43 610 3i/82,7	0,51 715 3i/82,7	1,17 1 500 3i/75,5	2,28 2 930 3i/75,3	3,6 5 000 3i/81,4	5,13 7 500 3i/85,7	7,22 10 600 3i/86,1	10,8 15 500 3i/84	15 21 200 3i/82,7	21,8 30 700 3i/82,7	28,7 41 230 3i/84,3	37,7 53 000 3i/82,5	46,2 65 000 3i/82,5	61,4 85 000 3i/81,1	80	560	
80 000	160	-	-	-	-	1,04 1 500 3i/151	2,04 2 990 3i/153	-	-	-	-	-	-	-	-	-	-	-	160	1000	6,3
	125	-	-	-	-	1,15 1 700 3i/123	2,36 3 450 3i/123	2,86 4 190 3i/123	4,27 6 500 3i/128	5,9 9 250 3i/131	9,28 13 200 3i/119	12,6 18 500 3i/123	17,8 26 500 3i/125	24,8 36 500 3i/123	30,5 46 200 3i/127	36 54 500 3i/127	46,8 73 000 3i/131	125	800		
	100	-	-	-	-	1,09 1 700 3i/103	2,26 3 450 3i/101	3,3 5 000 3i/100	4,62 7 500 3i/107	6,48 10 580 3i/108	10,2 15 500 3i/100	14,2 21 200 3i/98,5	20,6 30 700 3i/98,5	27,3 41 590 3i/100	33,4 53 000 3i/105	41 65 000 3i/105	54,4 85 000 3i/103	100	630		
	90	-	-	-	-	-	-	3,24 4 940 3i/89,4	4,85 7 750 3i/93,7	5,78 9 200 3i/93,3	10,5 15 500 3i/86,4	14,4 21 800 3i/88,8	20,8 31 500 3i/89	28,1 43 020 3i/89,7	34,7 53 280 3i/90,1	43,3 66 600 3i/90,1	52,2 82 500 3i/92,7	90	560		
71 000	160	-	-	-	-	0,93 1 500 3i/151	1,85 3 000 3i/153	-	-	-	-	-	-	-	-	-	-	-	160	900	5,6
	125	-	-	-	-	1,02 1 700 3i/123	2,09 3 450 3i/123	2,58 4 260 3i/123	3,79 6 500 3i/128	5,23 9 250 3i/131	8,24 13 200 3i/119	11,2 18 500 3i/123	15,8 26 500 3i/125	22 36 500 3i/123	27,1 46 200 3i/127	32 54 500 3i/127	41,6 73 000 3i/131	125	710		

For n_1 lower than 560 min⁻¹ see page 107.

$n_{N2} \cdot L_h$ min ⁻¹ · h	i_N	P_{N2} kW																i_N	n_1 min ⁻¹	n_{N2} min ⁻¹		
		M_{N2} N m																				
		... / i																				
		50	63	64	80	81	100	125	140	160	180	200	225	250	280	320	321	360				
71 000	100	-	-	-	-	-	0,97 1 700 3i/103	2,01 3 450 3i/101	2,93 5 000 3i/100	4,11 7 500 3i/107	5,78 10 600 3i/108	9,08 15 500 3i/100	12,6 21 200 3i/98,5	18,3 30 700 3i/98,5	24,7 42 340 3i/100	29,7 53 000 3i/105	36,4 65 000 3i/105	48,4 85 000 3i/103	100	560	5,6	
	63 000	160	-	-	-	-	-	0,83 1 500 3i/151	1,64 3 000 3i/153	-	-	-	-	-	-	-	-	-	-	160	800	5
125		-	-	-	-	-	0,91 1 700 3i/123	1,86 3 450 3i/123	2,34 4 340 3i/123	3,36 6 500 3i/128	4,64 9 250 3i/131	7,31 13 200 3i/119	9,94 18 500 3i/123	14 26 500 3i/125	19,6 36 500 3i/123	24 46 200 3i/127	28,4 54 500 3i/127	36,9 73 000 3i/131	125	630		
56 000	160	-	-	-	-	-	0,74 1 500 3i/151	1,46 3 000 3i/153	-	-	-	-	-	-	-	-	-	-	-	160	710	4,5
	125	-	-	-	-	-	0,81 1 700 3i/123	1,65 3 450 3i/123	2,09 4 370 3i/123	2,99 6 500 3i/128	4,13 9 250 3i/131	6,5 13 200 3i/119	8,84 18 500 3i/123	12,4 26 500 3i/125	17,4 36 500 3i/123	21,4 46 200 3i/127	25,2 54 500 3i/127	32,8 73 000 3i/131	125	560		
50 000	160	-	-	-	-	-	0,65 1 500 3i/151	1,29 3 000 3i/153	-	-	-	-	-	-	-	-	-	-	-	160	630	4
45 000	160	-	-	-	-	-	0,58 1 500 3i/151	1,15 3 000 3i/153	-	-	-	-	-	-	-	-	-	-	-	160	560	3,55

For n_1 lower than 560 min⁻¹ see page 107.

Summary of transmission ratios i , torques M_{N2} [N m] valid for $n_1 \leq 90 \text{ min}^{-1}$

i_N	i																	
	M_{N2} [N m]																	
	50	63	64	80	81	100	125	140	160	180	200	225	250	280	320	360		
R I	2	-	-	-	-	-	2 ¹⁾ 2 500	-	1,95 3 870	-	2,05 8 250	-	2 ¹⁾ 17 500	-	1,95 30 000	1,95 35 500	-	
	2,24	-	-	-	-	-	2,28 2 900	2,3 ¹⁾ 3 650	2,21 4 370	2,24 5 450	2,2 ¹⁾ 9 000	2,27 11 500	2,33 20 600	2,3 ¹⁾ 25 000	2,26 34 500	2,26 41 200	2,29 46 200	
	2,5	-	2,53 387	-	2,44 750	-	2,55 1 320	2,53 3 250	2,44 4 000	2,5 ¹⁾ 6 150	2,55 12 200	2,43 22 400	2,53 22 500	2,53 37 500	2,44 45 000	2,44 51 500	2,5 ¹⁾ 51 500	
	2,8	-	-	-	-	-	2,75 ¹⁾ 3 450	2,82 4 500	2,81 5 450	2,83 6 900	2,82 11 500	2,83 14 500	2,81 25 000	2,82 30 700	2,81 43 700	2,81 51 500	2,83 58 000	
	3,15	-	3,28 387	-	3,13 825	-	3,27 1 450	3,28 3 450	3,13 5 000	3,13 6 150	3,25 ¹⁾ 13 200	3,27 13 200	3,18 16 000	3,28 27 200	3,19 34 500	3,13 48 700	3,13 56 000	3,25 ¹⁾ 67 000
	3,55	-	-	-	-	-	-	3,62 3 250	3,64 4 620	3,62 6 700	3,6 ¹⁾ 8 250	3,57 14 000	3,67 16 500	3,62 28 000	3,64 35 500	3,5 ¹⁾ 43 700	3,5 ¹⁾ 56 000	3,6 ¹⁾ 65 000
	4	-	4 ¹⁾ 345	-	4,16 750	-	3,92 1 400	4 ¹⁾ 3 000	4,08 4 370	4,13 6 700	4,15 9 000	4,13 13 200	4,07 18 500	4 ¹⁾ 26 500	4,08 35 500	4,07 47 500	4,07 56 000	4 ¹⁾ 73 000
	4,5	-	-	-	-	-	-	4,45 2 720	4,5 ¹⁾ 3 650	4,5 ¹⁾ 6 300	4,67 8 000	4,5 ¹⁾ 12 500	4,67 15 500	4,47 24 300	4,5 ¹⁾ 30 000	4,5 ¹⁾ 41 200	4,5 ¹⁾ 51 500	4,6 ¹⁾ 63 000
	5	-	5 ¹⁾ 325	-	5,2 ¹⁾ 630	-	4,82 1 320	5 ¹⁾ 2 720	5 ¹⁾ 3 450	4,92 5 800	5,07 7 300	4,92 11 800	5,07 14 000	5,08 24 300	5 ¹⁾ 28 000	4,92 40 000	4,92 50 000	5,07 58 000
R 2 I	6,3	6,42 150	6,53 345	6,86 ¹⁾ 412	6,41 650	6,41 825	6,42 1 550	6,53 2 500	-	6,41 5 300	-	6,42 11 500	-	6,53 23 000	-	6,41 40 000	6,41 48 700	-
	8	8,01 206	8,26 387	7,99 487	8,03 825	8,03 975	8,01 1 700	8,26 3 450	-	8,03 6 300	-	8,01 15 500	-	8,26 31 500	-	8,03 54 500	8,03 69 000	-
	9	-	-	-	-	-	-	-	9,22 4 000	9,24 6 300	9,31 7 750	8,85 15 500	8,88 19 000	9,19 31 500	9,22 41 200	9,24 54 500	9,24 69 000	9,31 87 500
	10	10,2 206	10,7 387	11,2 ¹⁾ 487	10,3 825	10,3 975	10,2 1 700	10,7 3 450	10,2 4 370	10,3 7 750	10,7 10 000	10,2 15 500	9,95 21 200	10,7 31 500	10,4 43 700	10,3 54 500	10,3 69 000	10,7 87 500
	11,2	-	-	-	-	-	-	-	11,9 ¹⁾ 5 150	11,9 7 750	11,8 10 900	11,2 15 500	11,5 21 800	11,8 31 500	11,9 ¹⁾ 43 700	11,5 ¹⁾ 51 500	11,5 ¹⁾ 65 000	11,8 87 500
	12,5	12,3 200	13,1 387	13,6 450	13,7 750	13,7 875	12,3 1 700	13,1 3 450	13,3 5 000	13,6 7 500	13,6 10 600	13 15 500	12,8 21 200	13,1 30 700	13,3 41 200	13,4 53 000	13,4 65 000	13,1 85 000
	14	-	-	-	-	-	-	-	14,7 ¹⁾ 4 870	14,1 7 750	14,4 ¹⁾ 10 900	13,9 15 500	14,6 20 000	14,6 28 000	14,7 ¹⁾ 40 000	14,3 54 500	14,3 69 000	14,4 ¹⁾ 87 500
	16	16,3 200	15,8 387	16,5 487	15,7 800	15,7 975	16,1 1 700	15,8 3 450	15,1 4 500	15,7 7 750	16,6 10 600	16,1 15 500	15,6 20 000	16,2 31 500	15,7 40 000	15,9 54 500	15,9 69 000	16 ¹⁾ 85 000
	18	-	-	-	-	-	-	-	17,6 5 150	18,1 7 750	18 ¹⁾ 10 000	17,6 15 500	18,1 21 800	17,8 31 500	17,9 43 700	17,8 54 500	17,8 69 000	18,3 87 500
	20	20,1 175	19,3 387	20,1 475	20,8 800	20,8 925	19,3 1 700	19,3 3 450	19,6 5 000	20,7 7 500	20,8 10 600	20,3 15 500	20 21 200	19,7 30 700	20,1 42 500	20,6 53 000	20,6 65 000	20,3 85 000
	22,4	-	-	-	-	-	-	-	21,7 4 750	22,5 ¹⁾ 7 100	23,3 10 000	22,2 14 500	23 20 000	22 29 000	22,2 40 000	22,8 50 000	22,8 60 000	23,4 80 000
	25	24,4 155	24,1 335	25,1 412	26 ¹⁾ 670	26 ¹⁾ 800	23,7 1 500	24,1 3 000	24,1 4 370	24,6 6 500	25,4 9 250	24,2 13 200	25 18 500	25 26 500	24,6 36 500	25 46 200	25 54 500	25,7 73 000
	28	-	-	-	-	-	-	-	-	-	-	-	-	-	-	-	-	-
R 3 I	28	-	-	-	-	-	-	29,1 4 750	28,4 6 300	28,6 7 750	27,2 15 500	27,3 21 200	28,7 31 500	28,8 43 700	30 54 500	30 69 000	30,3 87 500	
	31,5	-	33,5 365	34,9 412	32,8 825	32,8 925	32,6 1 550	33,5 3 250	32,2 5 150	31,6 7 750	32,8 10 900	31,5 15 500	30,6 21 800	33,5 31 500	32,5 43 700	33,5 54 500	34,7 69 000	
	35,5	-	-	-	-	-	-	-	37,5 5 150	36,5 7 750	36,3 10 900	34,4 15 500	35,4 21 800	36,9 31 500	37,2 43 700	37,4 54 500	38,4 69 000	
	40	-	40,8 387	42,5 475	43,6 825	43,6 950	39,1 1 700	40,8 3 450	38,7 5 150	38,5 7 750	39,9 10 900	41,5 15 500	40,4 21 800	42,4 31 500	41,2 43 700	40,7 54 500	42,3 69 000	
	45	-	-	-	-	-	-	-	45,1 5 150	44,4 7 750	44,2 10 900	45,4 15 500	46,6 21 800	46,7 31 500	47,1 43 700	45,5 ¹⁾ 54 500	45,5 ¹⁾ 69 000	46,8 ¹⁾ 87 500
	50	-	49,4 387	51,5 487	49,8 825	49,8 975	51,2 1 700	49,5 3 450	50,4 5 000	50,8 7 500	51 10 600	52,6 15 500	51,8 21 200	51,7 30 700	52,7 42 500	52,9 53 000	52,9 65 000	52 ¹⁾ 85 000
	56	-	-	-	-	-	-	-	55,4 5 150	55,5 7 750	55,3 10 600	54,1 15 500	55,5 21 800	55,6 31 500	56 43 700	57,8 54 500	57,8 69 000	59,4 ¹⁾ 87 500
	63	-	60,1 387	62,6 475	66,3 825	66,3 950	61,5 1 700	60,2 3 450	62 5 000	63,5 7 500	63,8 10 600	62,6 15 500	61,7 21 200	61,5 30 700	62,7 42 500	67,1 ¹⁾ 53 000	67,1 ¹⁾ 65 000	66 ¹⁾ 85 000
	71	-	-	-	-	-	-	-	72,8 5 150	74,9 7 750	74,6 10 900	72,6 15 500	74,5 21 800	74,7 31 500	75,3 43 700	71 ¹⁾ 54 500	71 ¹⁾ 69 000	73 87 500
	80	-	75,2 335	78,2 412	82,7 710	82,7 825	75,5 1 500	75,3 3 000	81,4 5 000	85,7 7 500	86,1 10 600	84 15 500	82,7 21 200	82,7 30 700	84,3 42 500	82,5 53 000	82,5 65 000	81,1 85 000
	90	-	-	-	-	-	-	-	89,4 5 150	93,7 7 750	93,3 10 600	86,4 15 500	88,8 21 800	89 31 500	89,7 43 700	90,1 54 500	90,1 69 000	92,7 87 500
	100	-	-	-	-	-	-	103 1 700	101 3 450	107 5 000	108 7 500	100 10 600	98,5 15 500	98,5 21 200	100 30 700	105 42 500	105 53 000	103 65 000
	125	-	-	-	-	-	-	123 1 700	123 3 450	123 4 370	128 6 500	131 9 250	119 13 200	123 18 500	125 26 500	123 36 500	127 46 200	127 54 500
160	-	-	-	-	-	-	151 1 500	153 3 000	-	-	-	-	-	-	-	-	-	

1) Finite transmission ratio.

This page is intentionally left blank.

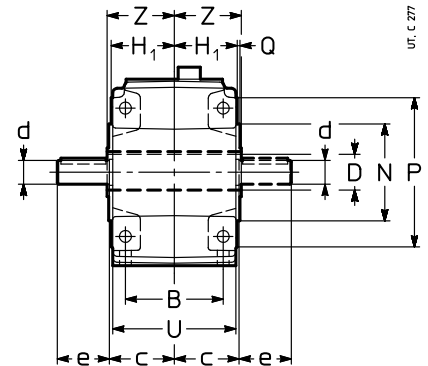
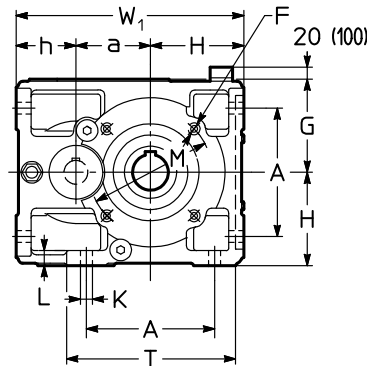
8 – Dimensions, designs, mounting positions of helical gear reducers

8.1 - Gear reducers R I	110
Dimensions	110
Designs (direction of rotation)	111
Mounting positions	112
Lubrication details	113
8.2 - Gear reducers R 2I	114
Dimensions	114
Designs (direction of rotation)	115
Mounting positions	116
Lubrication details	117
8.3 - Gear reducers R 3I	118
Dimensions	118
Designs (direction of rotation)	119
Mounting positions	120
Lubrication details	121
8.4 - Gear reducers R 2I – Long model	122
Dimensions	122
Designs (direction of rotation)	123
Mounting positions	124
Lubrication details	125
8.5 - Gear reducers R 3I – Long model	126
Dimensions	126
Designs (direction of rotation)	126
Mounting positions	127
Lubrication details	128

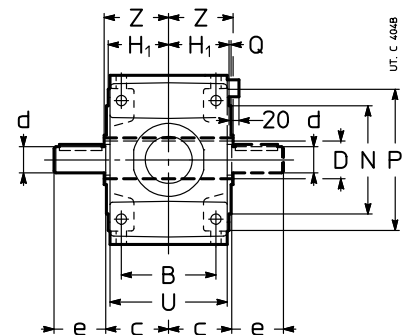
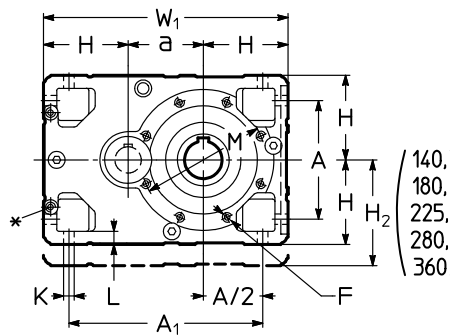
8.1 - Gear reducers R I

Dimensions

R I 63 ... 100



R I 125 ... 360



Size	a	A	A ₁	B	c	D	d	e	d	e	F	H	H ₁	H ₂	h	K	L	M	N	P	Q	T	U	W ₁	Z	kg
						Ø H7	Ø		Ø		1)	h11	h ₁₁	h ₁₁	Ø		Ø	Ø h6	Ø							
							$i_N \leq 3,55$ $i_N \leq 4^{3)}$		$i_N \geq 4$ $i_N \geq 4,5^{3)}$			g														
63	63	102	-	90	61	30	24	50	19	40	M8	80	58,5	-	62	11,5	14	100	80	120	3	143	114	205	63	12
80	80	132	-	106	72	38	28	60	24	50	M10	100	69,5	-	70	14	17	130	110	160	3,5	180	135	250	75	23
100	100	172	-	131	87	48	32	80	28	60	M12	125	84,5	-	80	16	20	165	130	200	3,5	228	165	305	90	43
125	125	212	337	162	107	60	48	110	38	80	2)	150	103,5	-	18	23	215	180	250	4	-	201	425	110	84	
140	140	212	352	162	107	70	48	110	38	80	2)	150	103,5	180	-	18	23	265	230	300	4	-	201	440	125	97
160	160	252	412	201	132	80	55	110	48	110	M16	180	128,5	-	22	28	265	230	300	4	-	249	520	136	148	
180	180	252	432	201	132	90	55	110	48	110	M16	180	128,5	225	-	22	28	300	250	350	5	-	249	540	150	171
200	200	320	520	250	162	100	70	140	60	140	2)	225	158	-	27	34	350	300	400	5	-	307	650	167	262	
225	225	320	545	250	162	110	70	140	60	140	M20	225	158	280	-	27	34	400	350	450	5	-	307	675	180	303
250	250	396	646	310	204	125	90	170	75	140	2)	280	195	-	33	42	500	450	550	5	-	380	810	206	467	
280	280	396	676	310	204	140	90	170	75	140	M24	280	195	355	-	33	42	500	450	550	5	-	380	840	222	540
320, 321	320	510	830	386	256	160	110	210	95	170	2)	355	241	-	39	52	600	550	660	6	-	470	1030	254	832	
360	360	510	870	386	256	180	110	210	95	170	M30	355	241	450	-	39	52	600	550	660	6	-	470	1070	273	963

* Machined surface and N. 2 threaded holes (dimensions in ch. 6 «Gear reducer input face») on opposite side (not in view) too.

1) Working length of thread 2 · F.

2) For dimension, number and angular position, see ch. 8.

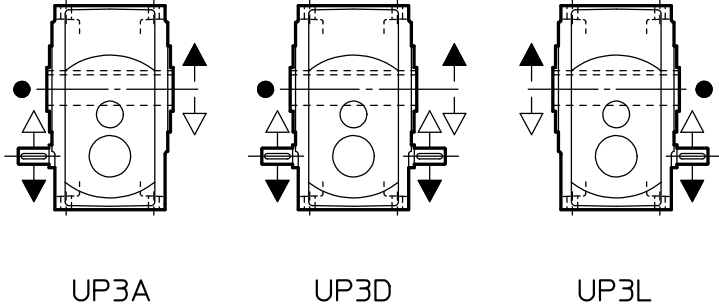
3) Valid for sizes 140, 180, 225, 280 and 360.



42

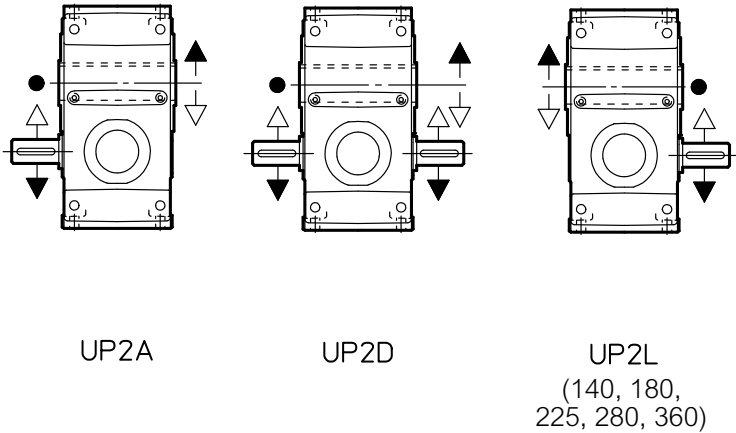
Designs (direction of rotation)

R I 63 ... 100



UT. C 297

R I 125 ... 360

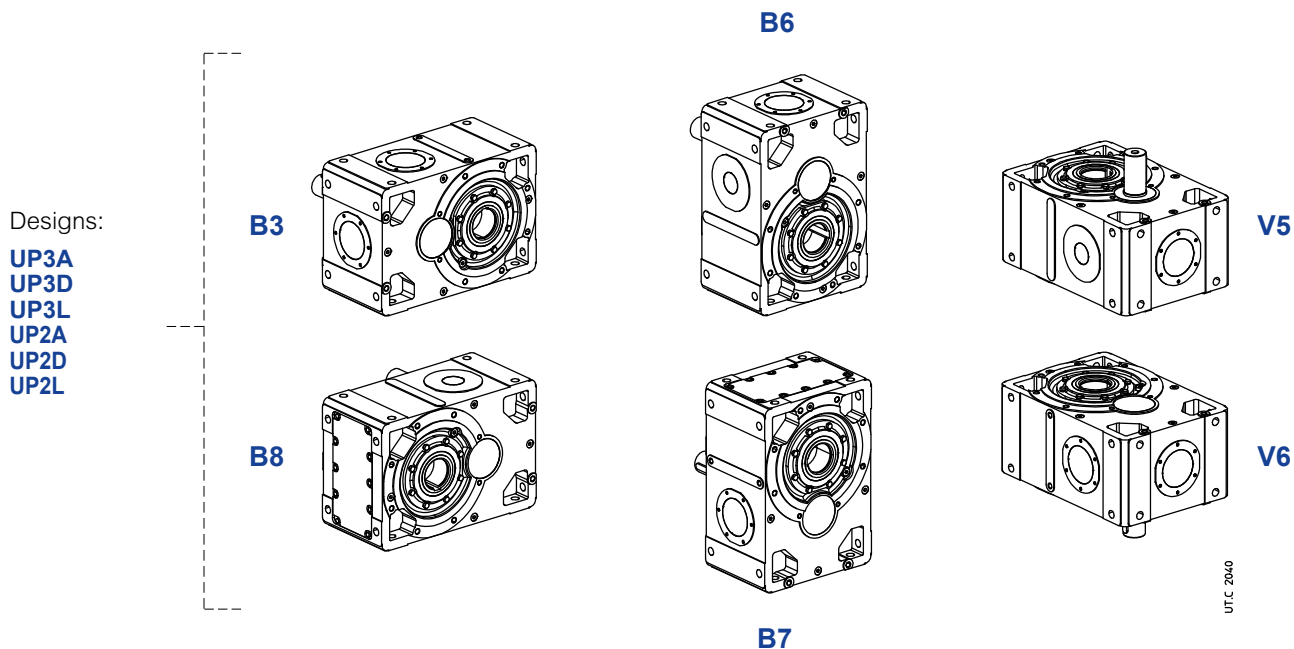


UT. C 407B

● Position of reference groove (see ch. 16) for radial load verification.

Mounting positions R I 63 ... 360

Unless otherwise stated, gear reducers are supplied in mounting position **B3** (see ch. 2).



Oil quantity R I 63 ... 360

Stated oil quantities [l] are approximate for provisioning. The exact oil quantity the gear reducer is to be filled with is defined by the level plug.

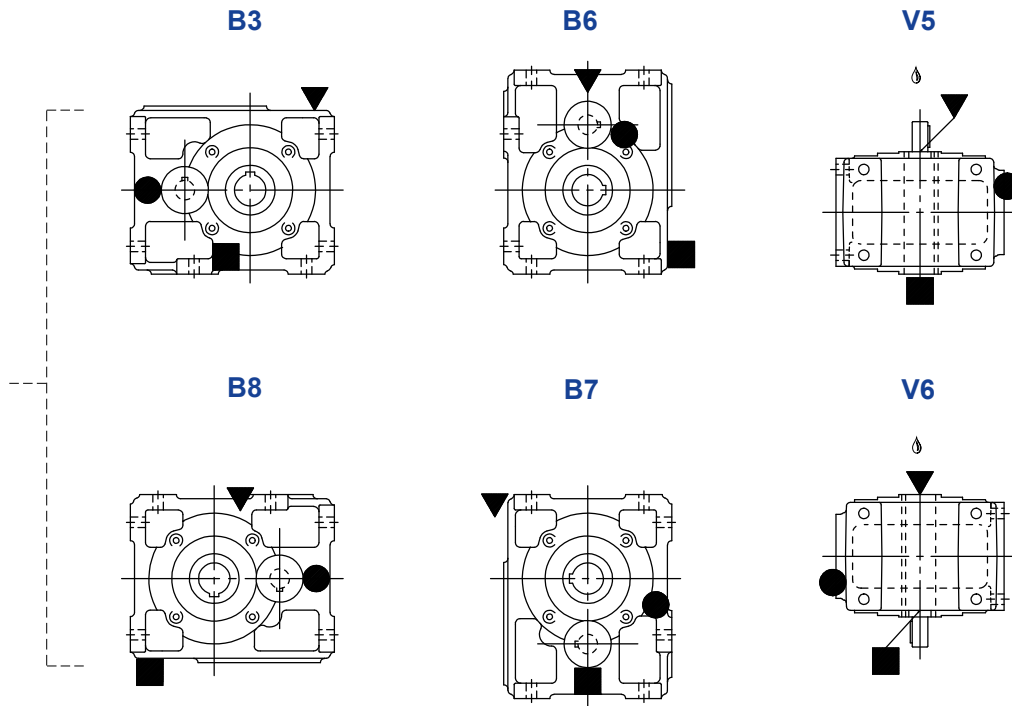
Mounting position	63	80	100	125	140	160	180	200	225	250	280	320, 321	360
B3	0,7	1,2	2,1	5,3	8,2	10,5	16,1	20,5	31,5	40	61	78	120
B8	0,7	1,2	2,1	5,3	5,5	10,5	10,7	20,5	21	40	41	78	80
B6	1	1,9	3,6	7	8,7	13,7	17	26,7	33,3	52	65	102	127
B7	0,8	1,5	2,6	7,6	9,7	15	19	29	37	57	72	111	141
V5	1	1,9	3,6	8,9	10,3	17,5	20,1	34	39,3	67	77	130	150
V6	0,5	0,95	1,8	4,7	4,9	9,3	9,5	18	18,6	35	36	67	71

Lubrication details

R I 100

Designs:

UP3A
UP3D
UP3L

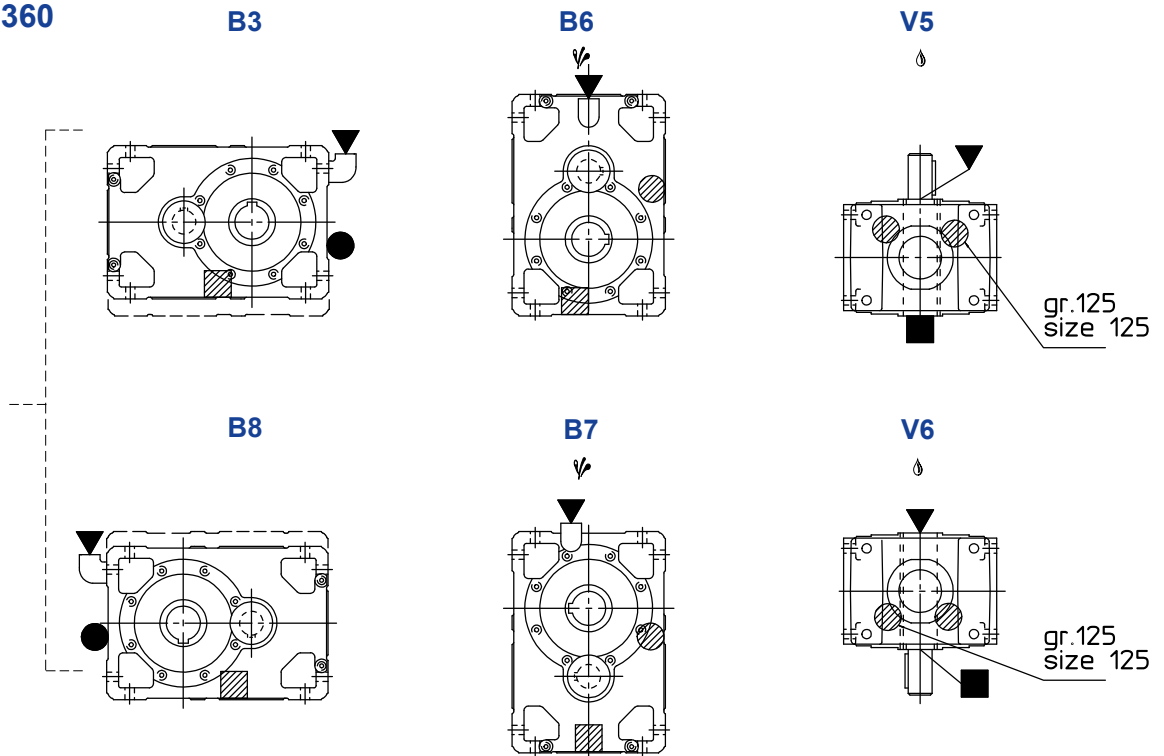


UT.C. 1042

R I 125 ... 360

Designs:

UP2A
UP2D
UP2L



UT.C. 1043

▽ Possible high oil splash: for the corrective factor f_{t3} of nominal thermal power P_{tN} see ch. 4.

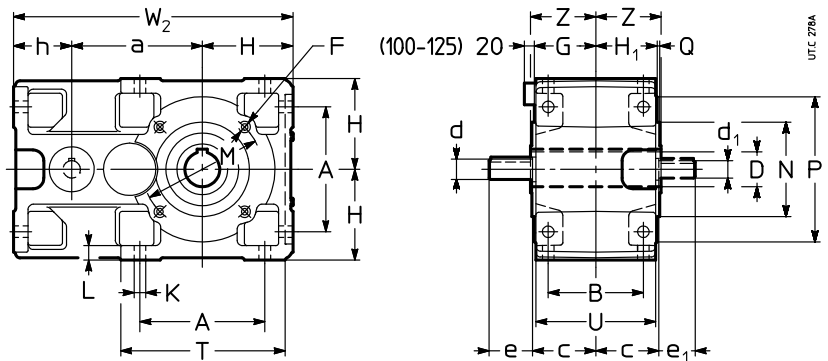
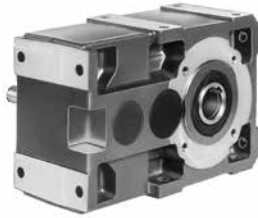
♯ Possible bearing lubrication pump or lubrication device on high speed shaft (see ch. 17 (19)).

- ▽ oil filler plug
- oil level plug
- oil drain plug
- oil level plug on opposite side (not in view)
- ▨ oil drain plug on opposite side (not in view)

8.2 - Gear reducers R 2I

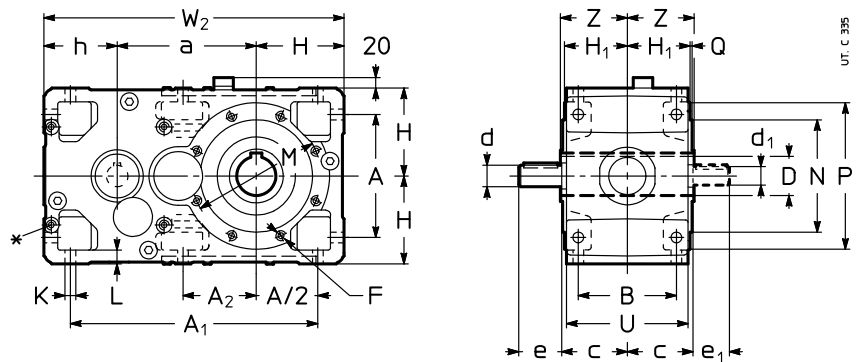
Dimensions

R 2I 50 ... 125



Size	a	A	B	c	D Ø H7	d Ø		e Ø		d ₁ Ø	e ₁	F	H h11	H ₁ G	h h11	K Ø	L	M Ø	N Ø h6	P Ø	Q	T	U	W ₂	Z	kg
						i _N ≤ 12,5	i _N ≥ 16																			
50	90	86	75	51	24	16	30	14	30	14	30	M6	67	49	50	9,5	12	85	70	105	2,5	120	95	207	53	9
63	113	102	90	61	30	19	40	16	30	16	30	M8	80	58,5	62	11,5	14	100	80	120	3	143	114	255	63	14
64	115	102	90	61	32	19	40	16	30	16	30	M8	80	58,5	62	11,5	14	100	80	120	3	143	114	257	63	14
80	142,5	132	106	72	38	24	50	19	40	19	40	M10	100	69,5	70	14	17	130	110	160	3,5	180	135	313	75	26
81	142,5	132	106	72	40	24	50	19	40	19	40	M10	100	69,5	70	14	17	130	110	160	3,5	180	135	313	75	26
100	180	172	131	87	48	28	60	24	50	24	50	M12	125	84,5	80	16	20	165	130	200	3,5	228	165	385	90	47
125	225	212	162	107	60	32	80	32	80	28	60	2)	150	103,5	100	18	23	215	180	250	4	274	201	475	110	84

R 2I 140 ... 360



Size	a	A	A ₁	A ₂	B	c	D Ø H7	d Ø		e Ø		d ₁ Ø	e ₁	F	H h11	H ₁ h11	h h11	K Ø	L	M Ø	N Ø h6	P Ø	Q	U	W ₂	Z	kg
								i _N ≤ 12,5	i _N ≥ 16																		
140	240	212	427	127	162	107	70	32	80	28	60	2)	150	103,5	125	18	23	265	230	300	4	201	515	125	108		
160	285	252	507	-	201	132	80	42	110	38	80	M16	180	128,5	150	22	28	265	230	300	4	249	615	136	176		
180	305	252	527	170	201	132	90	42	110	38	80	M16	180	128,5	150	22	28	300	250	350	5	249	635	150	194		
200	360	320	635	-	250	162	100	55	110	48	110	2)	225	158	180	27	34	350	300	400	5	307	765	167	309		
225	385	320	660	223	250	162	110	55	110	48	110	M20	225	158	180	27	34	400	350	450	5	307	790	180	340		
250	450	396	791	-	310	200	125	70	140	55	110	2)	280	195	225	33	42	500	450	550	5	380	955	206	543		
280	480	396	821	277	310	200	140	70	140	55	110	M24	280	195	225	33	42	500	450	550	5	380	985	222	597		
320, 321	570	510	1005	-	386	245	160	90	170	70	140	2)	355	241	280	39	52	600	550	660	6	470	1205	254	1150		
360	610	510	1045	358	386	245	180	90	170	70	140	M30	355	241	280	39	52	600	550	660	6	470	1245	273	1300		

* Machined surface and N.4 threaded holes (dimensions in ch. 6 «Gear reducer input face») on opposite side (not in view) too.

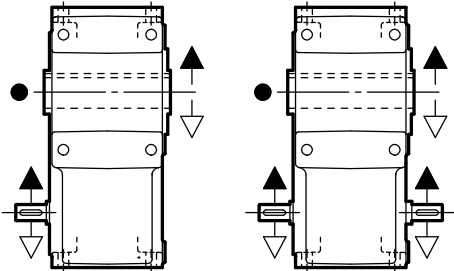
1) Working length of thread 2 · F.

2) For dimension, number and angular position see ch. 6.



Designs (direction of rotation)

R 2I 50 ... 125

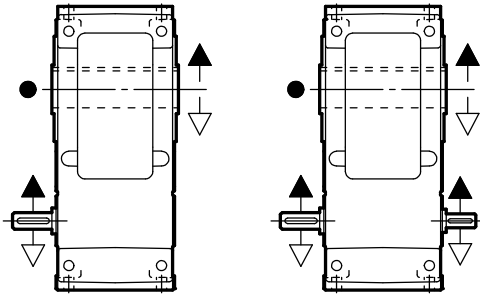


UT. C 298

UP2A

UP2D

R 2I 140 ... 360



UP2A

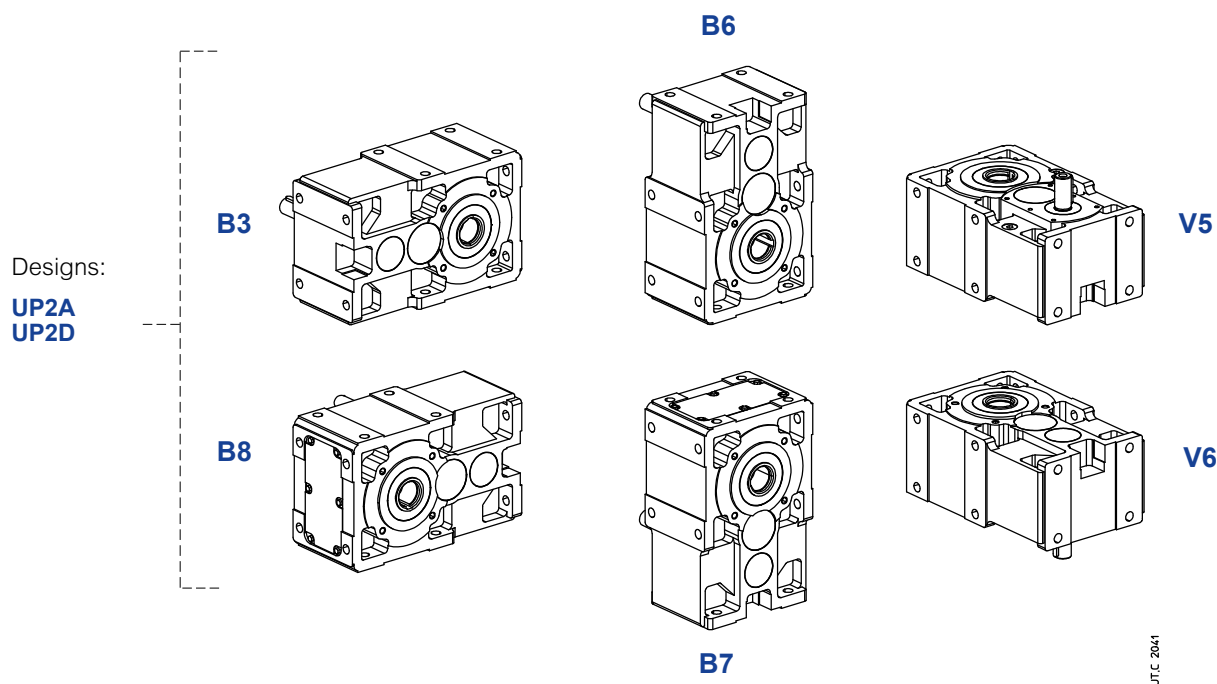
UP2D

● Position of the reference groove (see ch. 16) for the verification of the radial load.

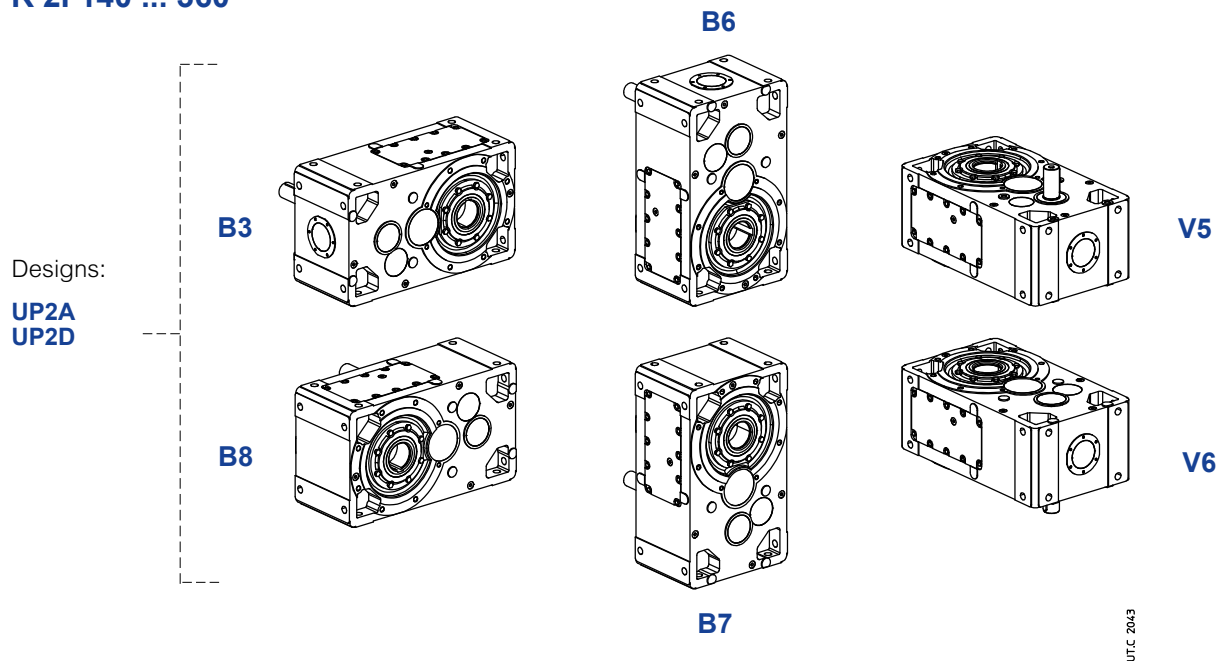
Mounting positions

Unless otherwise stated, gear reducers are supplied in mounting position **B3** (see ch. 2).

R 2I 50 ... 125



R 2I 140 ... 360



Oil quantity

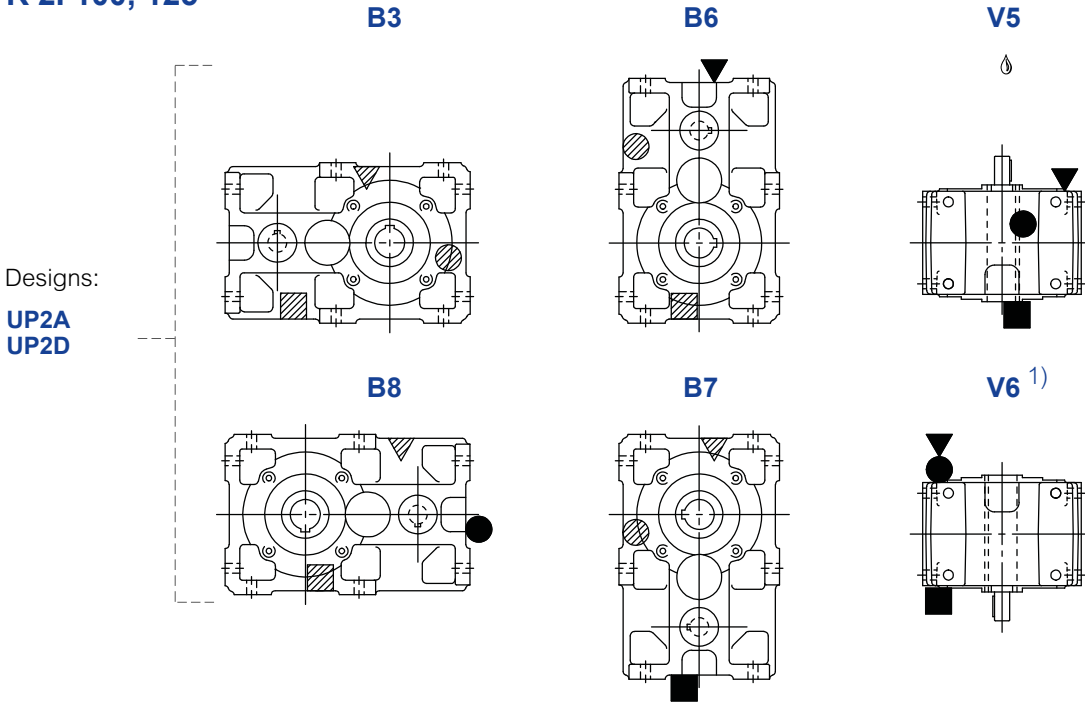
R 2I 50 ... 360

Stated oil quantities [l] are approximate for provisioning. The exact oil quantity the gear reducer is to be filled with is defined by the level plug.

Mounting position	50	63, 64	80, 81	100	125	140	160	180	200	225	250	280	320, 321	360
B3	0,6	0,9	1,5	3,2	5,8	6,6	12	13	25	26	47	51	97	100
B8	0,6	0,9	1,5	3,2	5,8	6,6	12	13	25	26	47	51	97	100
B6	0,9	1,4	2,7	5,4	10,5	10,8	20	21	39	41	75	80	152	156
B7	0,8	1,2	2,3	5	9	9,7	18	19	35	37	67	72	137	140
V5	0,8	1,2	2,3	5	9	9,7	18	19	35	37	67	72	137	140
V6	0,8	1,2	2,3	5	9	9,7	18	19	35	37	67	72	137	140

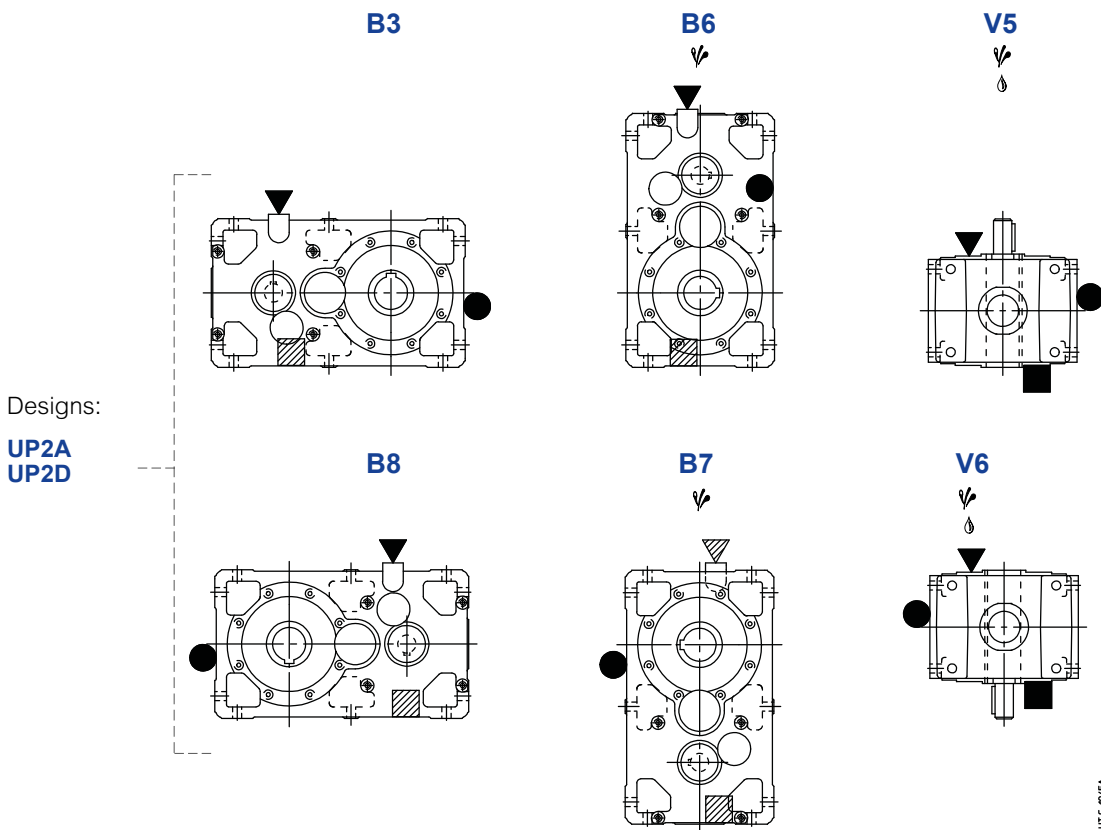
Lubrication details

R 2I 100, 125



U.T.E. 9044

R 2I 140 ... 360



U.T.E. 9045A

▽ Possible high oil splash: for the corrective factor f_{t3} of nominal thermal power P_{tN} see ch. 4.

⚡ Possible bearing lubrication pump or lubrication device on high speed shaft (see ch. 17 (19)).

1) See also ch. 6 page 43.

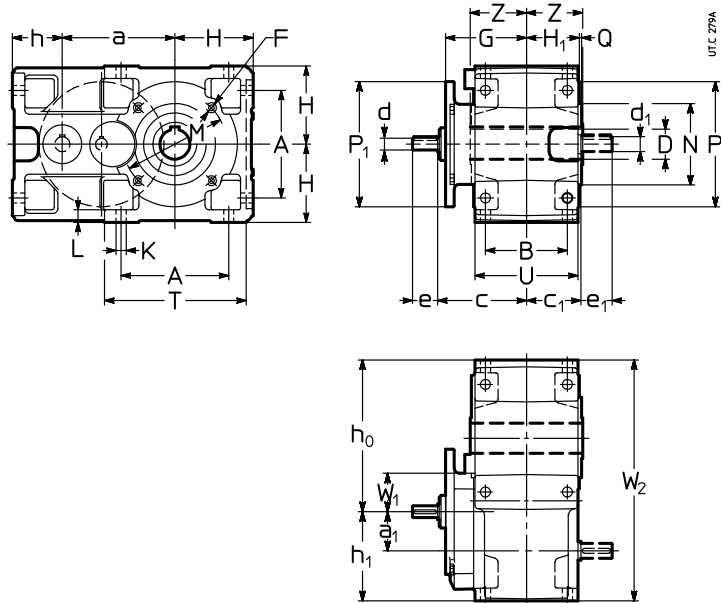
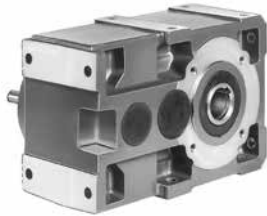
- ▼ oil filler plug
- oil level plug
- oil drain plug
- ▼ oil filler plug with oil level dip stick

- ▽ oil filler plug on opposite side (not in view)
- oil level plug on opposite side (not in view)
- oil drain plug on opposite side (not in view)

8.3 - Gear reducers R 3I

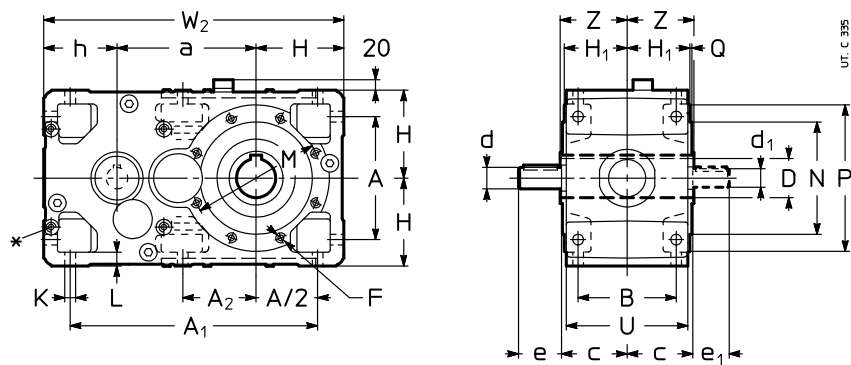
Dimensions

R 3I 63 ... 125



Size	a	a ₁	A	B	c	c ₁	D Ø H7	d Ø	e	d		d ₁ Ø	e ₁	F	G	H	H ₁	h	h ₀	h ₁	K Ø	L	M Ø	N Ø h6	P	P ₁ Ø	Q	T	U	W ₁	W ₂	Z	kg
										Ø	i _N ≤ 80																						
63	113	40	102	90	99	61	30	11	23	-	-	16	30	M8	90	80	58,5	62	153	102	11,5	14	100	80	120	140 ³⁾	3	143	114	40	255	63	17
64	115	40	102	90	99	61	32	11	23	-	-	16	30	M8	90	80	58,5	62	155	102	11,5	14	100	80	120	140 ³⁾	3	143	114	40	257	63	17
80	142,5	50	132	106	117	72	38	14	30	-	-	19	40	M10	108	100	69,5	70	192,5	120	14	17	130	110	160	160 ³⁾	3,5	180	135	50	313	75	29
81	142,5	50	132	106	117	72	40	14	30	-	-	19	40	M10	108	100	69,5	70	192,5	120	14	17	130	110	160	160 ³⁾	3,5	180	135	50	313	75	29
100	180	62,5	172	131	141	87	48	19	40	16	30	24	50	M12	130	125	84,5	80	242	143	16	20	165	130	200	200	3,5	228	165	62	385	90	52
125	225	80	212	162	170	107	60	24	50	19	40	28	60	M16	159	150	103,5	100	295	180	18	23	215	180	250	200	4	274	201	86	475	110	92

R 3I 140 ... 360



Size	a	A	A ₁	A ₂	B	c	D Ø H7	d Ø	e	d		d ₁ Ø	e ₁	F	H	H ₁	h	K Ø	L	M Ø	N Ø h6	P	Q	U	W ₂	Z	kg
										Ø	i _N ≤ 63																
140	240	212	427	127	162	107	70	28	60	24	50	24	50	2)	150	103,5	125	18	23	265	230	300	4	201	515	125	108
160	285	252	507	-	201	132	80	32	80	28	60	28	60	M16	180	128,5	150	22	28	265	230	300	4	249	615	136	176
180	305	252	527	170	201	132	90	32	80	28	60	28	60	M16	180	128,5	150	22	28	300	250	350	5	249	635	150	194
200	360	320	635	-	250	162	100	42	110	38	80	38	80	2)	225	158	180	27	34	350	300	400	5	307	765	167	309
225	385	320	660	223	250	162	110	42	110	38	80	38	80	M20	225	158	180	27	34	400	350	450	5	307	790	180	340
250	450	396	791	-	310	200	125	55	110	48	110	45	110	2)	280	195	225	33	42	500	450	550	5	380	955	206	543
280	480	396	821	277	310	200	140	55	110	48	110	45	110	M24	280	195	225	33	42	500	450	550	5	380	985	222	597
320, 321	570	510	1005	-	386	245	160	70	140	55	110	55	110	2)	355	241	280	39	52	600	550	660	6	470	1205	254	1150
360	610	510	1045	358	386	245	180	70	140	55	110	55	110	M30	355	241	280	39	52	600	550	660	6	470	1245	273	1300

* Machined surface and N.4 threaded holes (dimensions in ch. 6 «Gear reducer input face») on opposite side (not in view) too.

1) Working length of thread 2 · F.

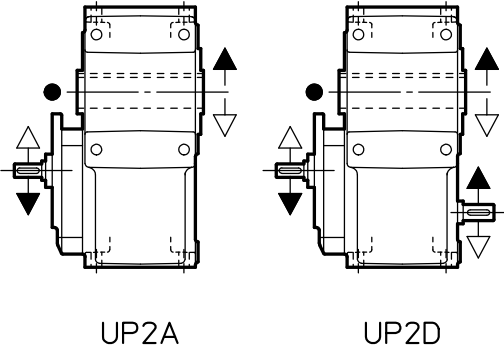
2) For dimension, number and angular position see ch. 6.

3) Square flange: for dimensions see ch. 6.

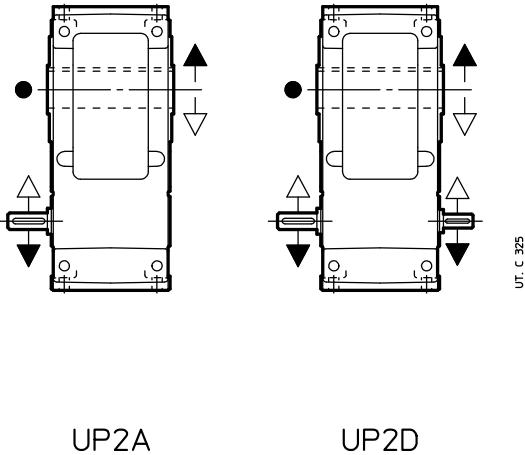


Designs (direction of rotation)

R 3I 63 ... 125



R 3I 140 ... 360

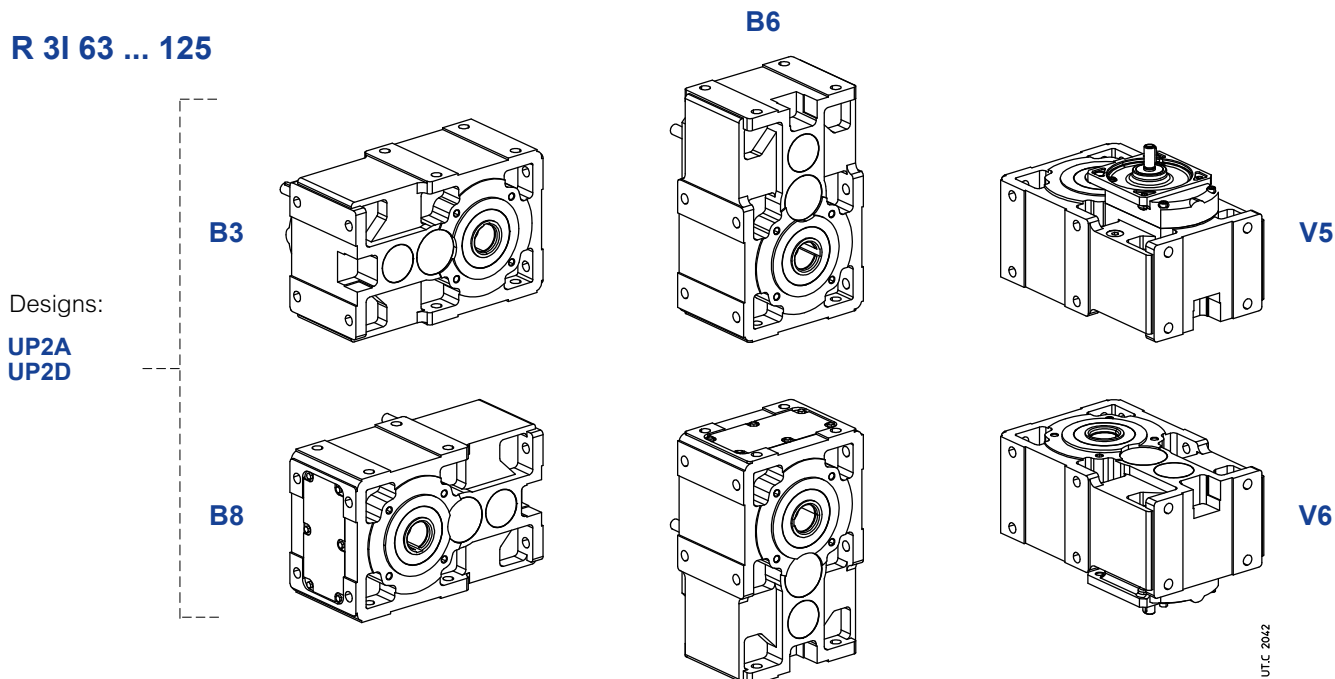


● Position of the reference groove (see ch. 16) for radial load verification.

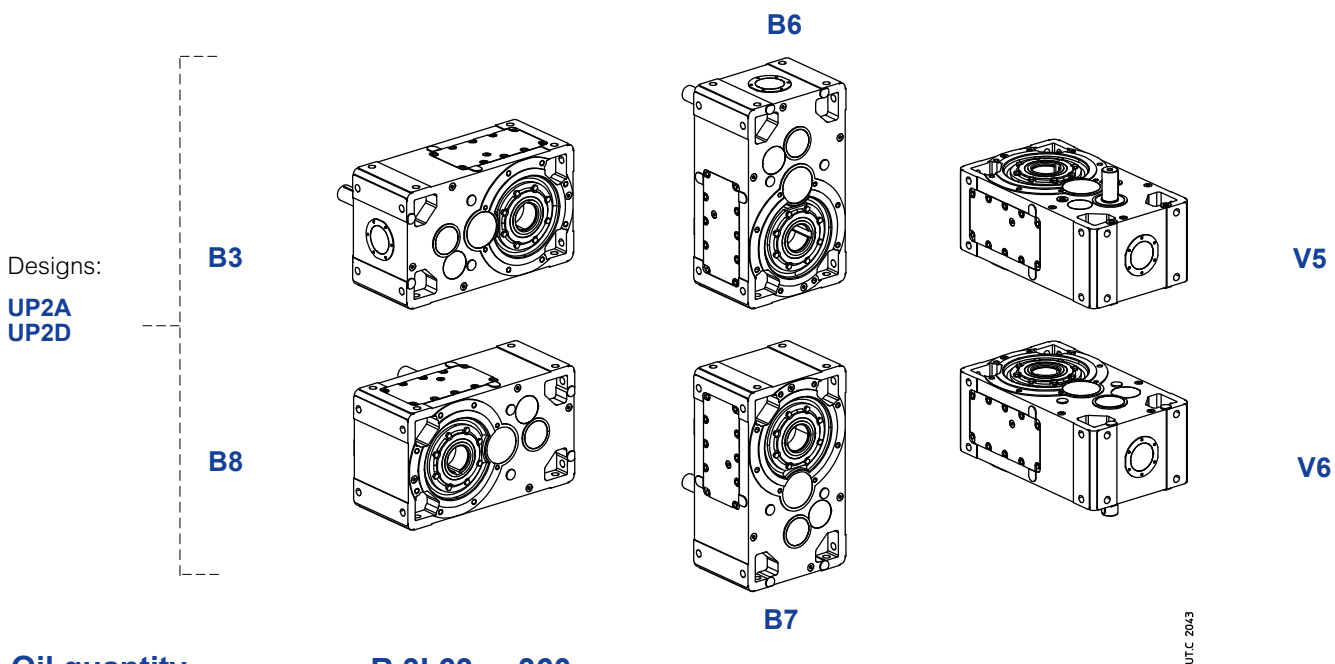
Mounting positions

Unless otherwise stated, gear reducers are supplied in mounting position **B3** (see ch. 2).

R 3I 63 ... 125



R 3I 140 ... 360



Oil quantity

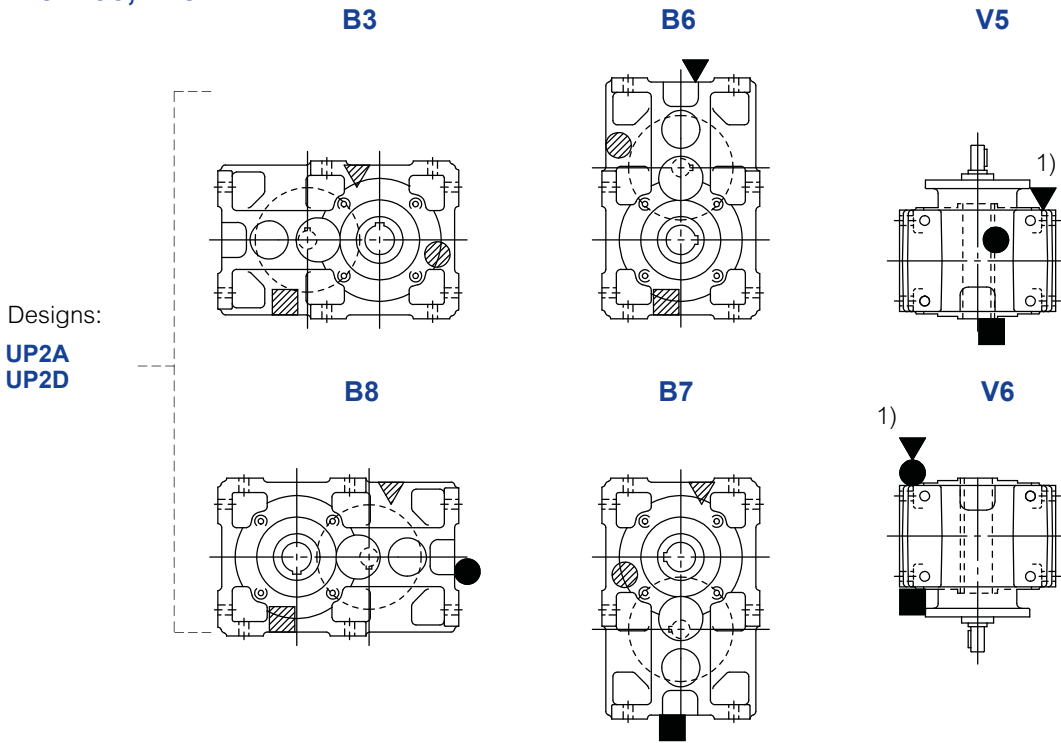
R 3I 63 ... 360

Stated oil quantities [l] are approximate for provisioning. The exact oil quantity the gear reducer is to be filled with is defined by the level plug.

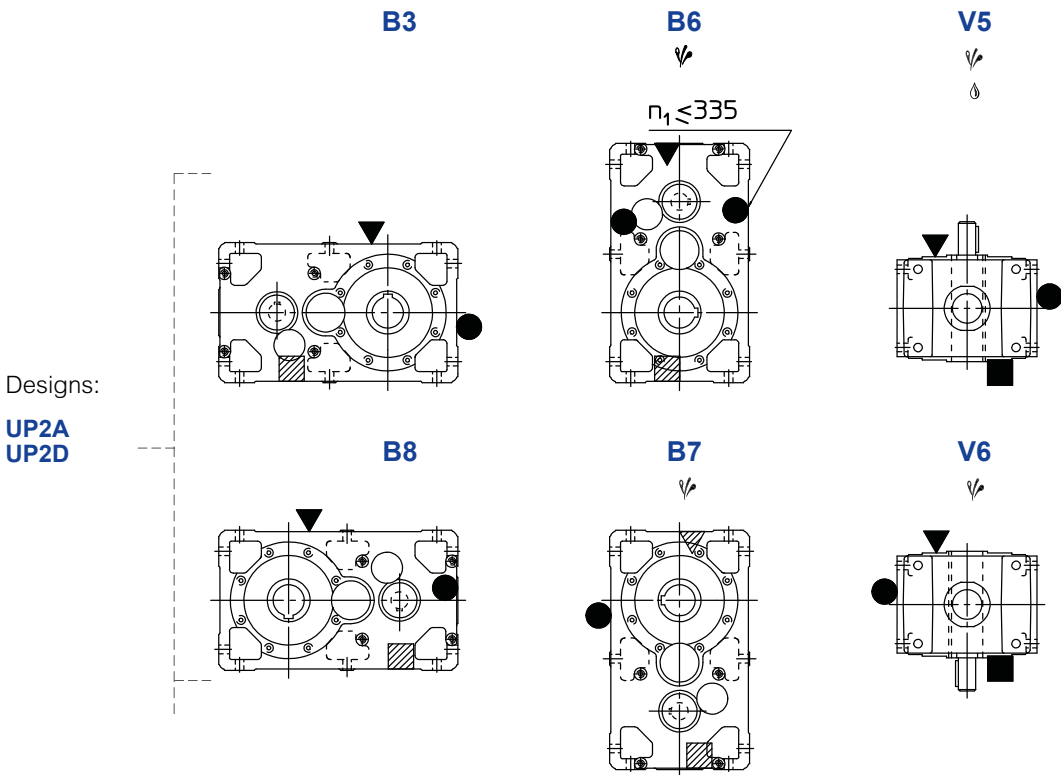
Mounting position	63, 64	80, 81	100	125	140	160	180	200	225	250	280	320, 321	360
B3	1	1,7	3,3	6,1	6,6	12	13	25	26	47	51	97	100
B8	1	1,7	3,3	6,1	9,7	18	19	35	37	67	72	137	140
B6	1,5	2,9	5,7	10,2	9,7	18	19	35	37	67	72	137	140
B7	1,3	2,5	4,9	8,8	9,7	18	19	35	37	67	72	137	140
V5	1,3	2,5	4,9	8,8	9,7	18	19	35	37	67	72	137	140
V6	1,3	2,5	4,9	8,8	9,7	18	19	35	37	67	72	137	140

Lubrication details

R 3I 100, 125



R 3I 140 ... 360



▽ Possible high oil splash: for the corrective factor f_3 of nominal thermal power P_{Tn} see ch. 4.

⚡ Possible bearing lubrication pump or lubrication device on high speed shaft (see ch. 17 (19)).

1) See also ch. 6 page. 43.

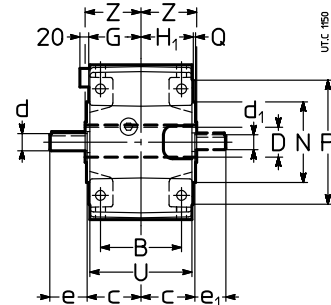
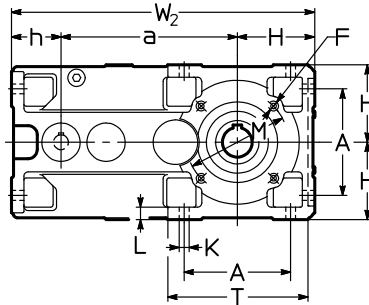
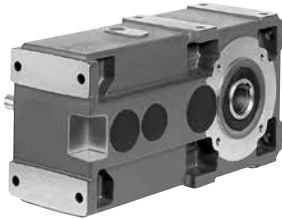
- ▼ oil filler plug
- oil level plug
- oil drain plug
- oil filler plug with oil level dip stick

- ▽ oil filler plug on opposite side (not in view)
- oil level plug on opposite side (not in view)
- oil drain plug on opposite side (not in view)

8.4 - Gear reducers R 2I – Long model

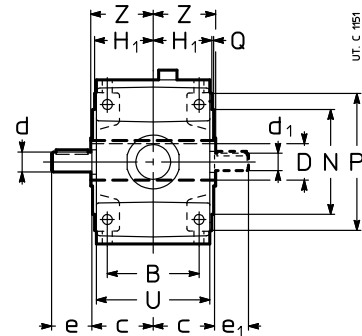
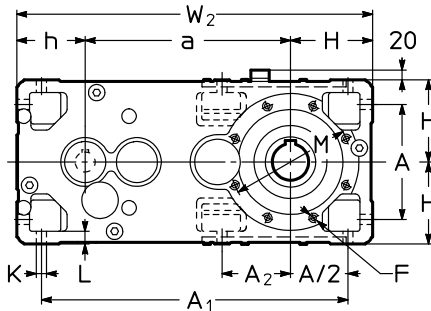
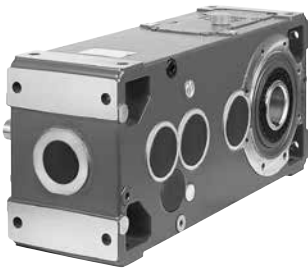
Dimensions

R 2I 100, 125 – Long model



Size	a	A	B	c	D Ø H7	d Ø	e	d Ø	e	d ₁ Ø	e ₁	F	H h11	H ₁ G	h h11	K Ø	L	M Ø	N Ø h6	P Ø	Q	T	U	W ₂	Z	kg
100	284,7	172	131	87	48	28	60	24	50	24	28	M12	125	84,5	80,3	16	20	165	130	200	3,5	228	165	490	90	56
125	358	212	162	107	60	32	80	32	80	28	50	M16	150	103,5	100	18	23	215	180	250	4	274	201	608	110	100

R 2I 140 ... 360 – Long model



Size	a	A	A ₁	A ₂	B	c	D Ø H7	d Ø	e	d ₁ Ø	e ₁	F	H h11	H ₁	h h11	K Ø	L	M Ø	N Ø h6	P Ø	Q	U	W ₂	Z	kg
140	373	212	560	127	162	107	70	32	80	28	60	2)	150	103,5	125	18	23	265	230	300	4	201	648	125	124
160	450	252	672	-	201	132	80	42	110	38	80	M16	180	128,5	150	22	28	265	230	300	4	249	780	136	204
180	470	252	692	170	201	132	90	42	110	38	80	M16	180	128,5	150	22	28	300	250	350	5	249	800	150	222
200	556	320	831	-	250	162	100	55	110	48	110	2)	225	158	180	27	34	350	300	400	5	307	961	167	357
225	581	320	856	223	250	162	110	55	110	48	110	M20	225	158	180	27	34	400	350	450	5	307	986	180	389
250	690	396	1031	-	310	200	125	70	140	55	110	2)	280	195	225	33	42	500	450	550	5	380	1195	206	625
280	720	396	1061	277	310	200	140	70	140	55	110	M24	280	195	225	33	42	500	450	550	5	380	1225	222	682
320, 321	870	510	1305	-	386	245	160	90	170	70	140	2)	355	241	280	39	52	600	550	660	6	470	1505	254	1290
360	910	510	1345	358	386	245	180	90	170	70	140	M30	355	241	280	39	52	600	550	660	6	470	1545	273	1445

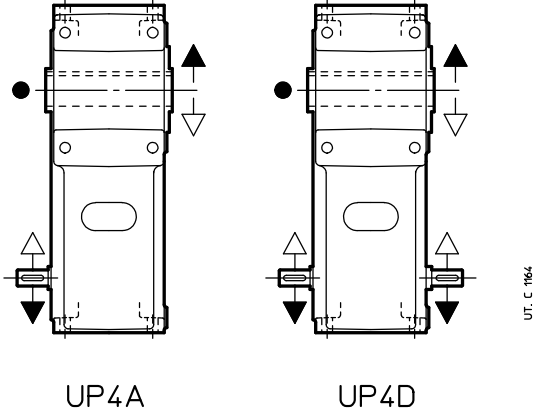
1) Working length of thread 2 · F.

2) For dimension, number and angular position see ch. 6.

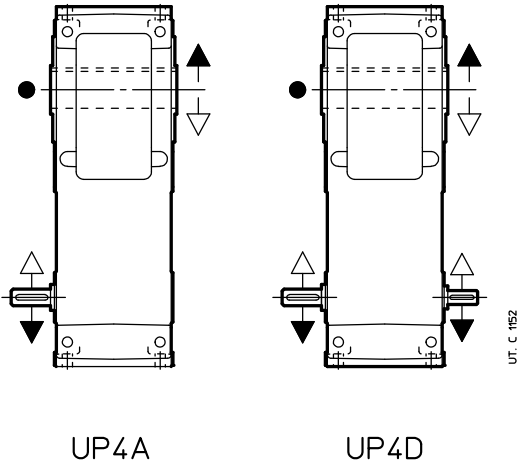


Designs (direction of rotation)

R 2I 100, 125 – Long model



R 2I 140 ... 360 – Long model

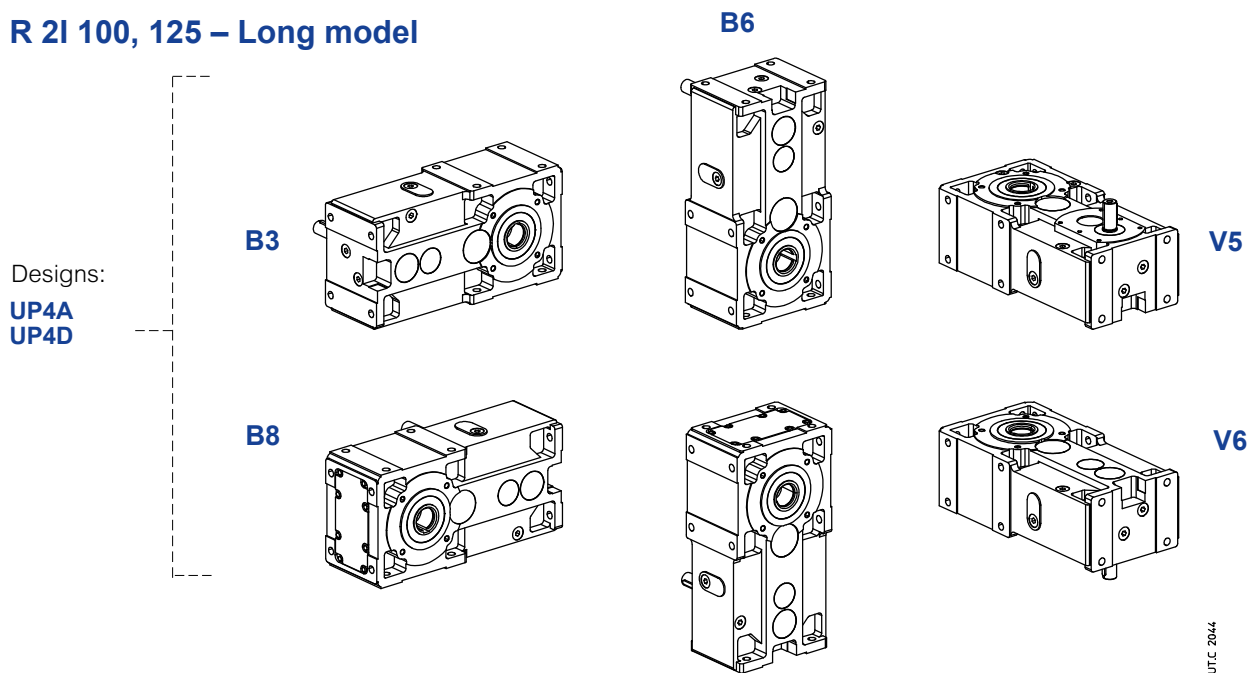


● Position of reference groove (see ch. 16) for radial load verification.

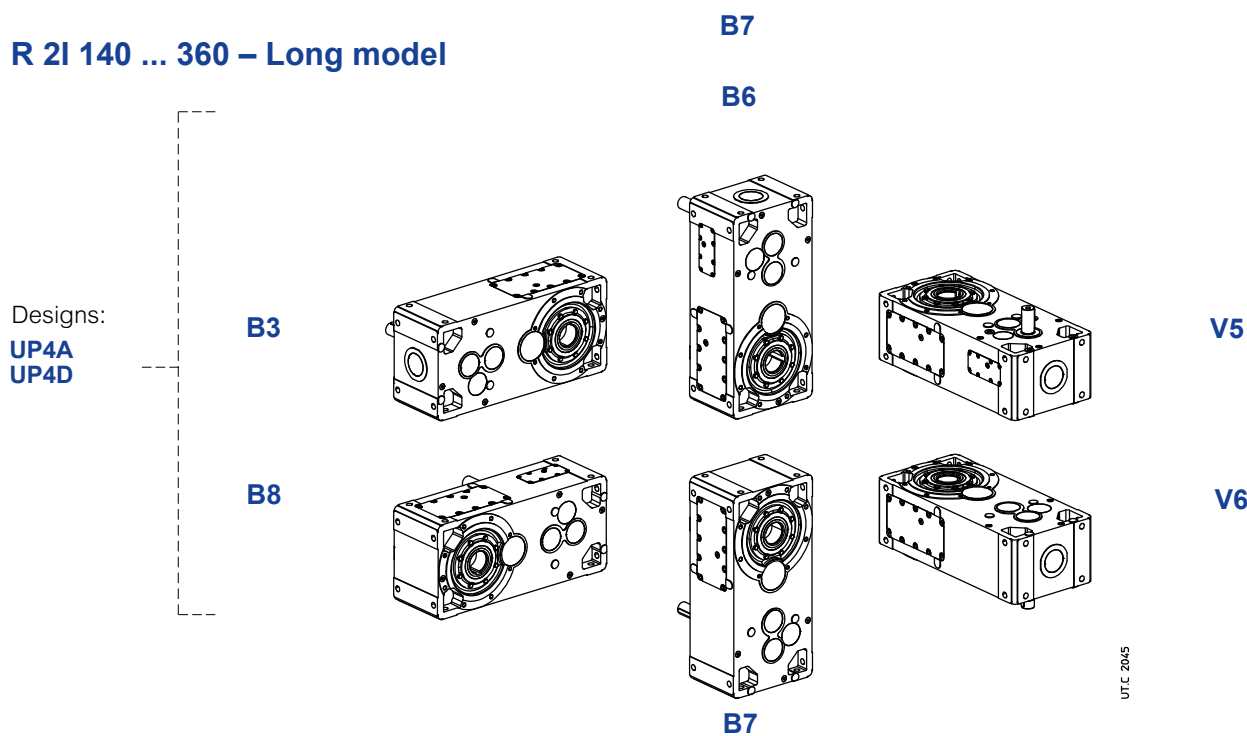
Mounting positions

Unless otherwise stated, gear reducers are supplied in mounting position **B3** (see ch. 2).

R 2I 100, 125 – Long model



R 2I 140 ... 360 – Long model



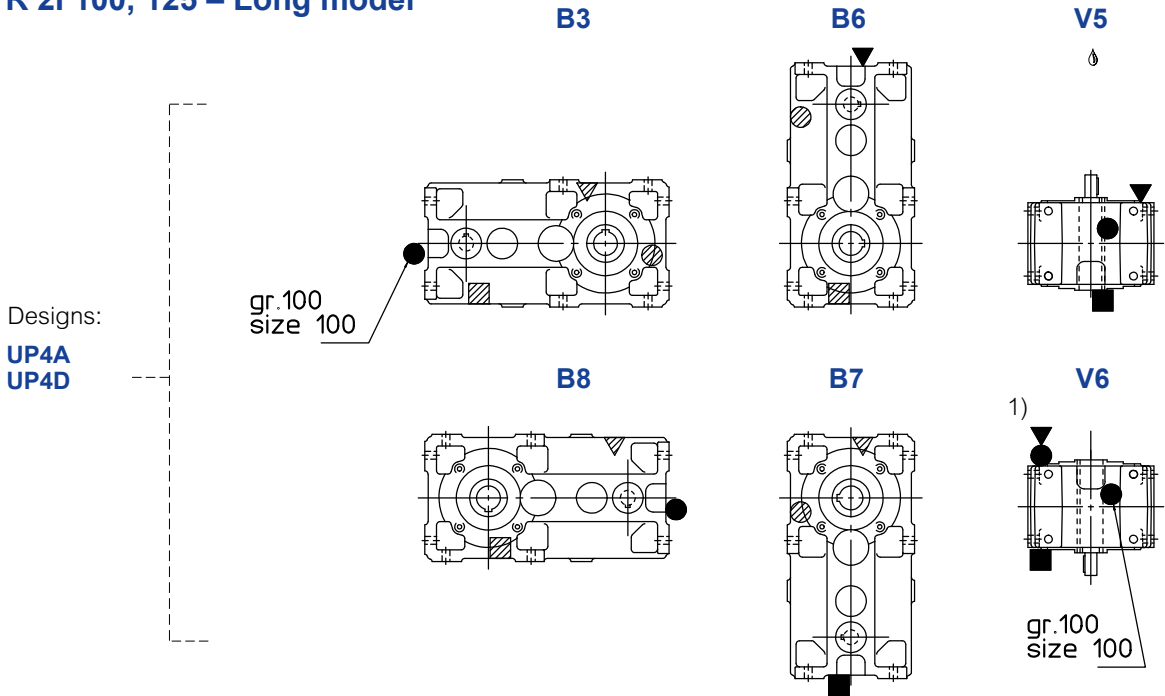
Oil quantity R 2I 100... 360 – Long model

Stated oil quantities [l] are approximate for provisioning. The exact oil quantity the gear reducer is to be filled with is defined by the level plug.

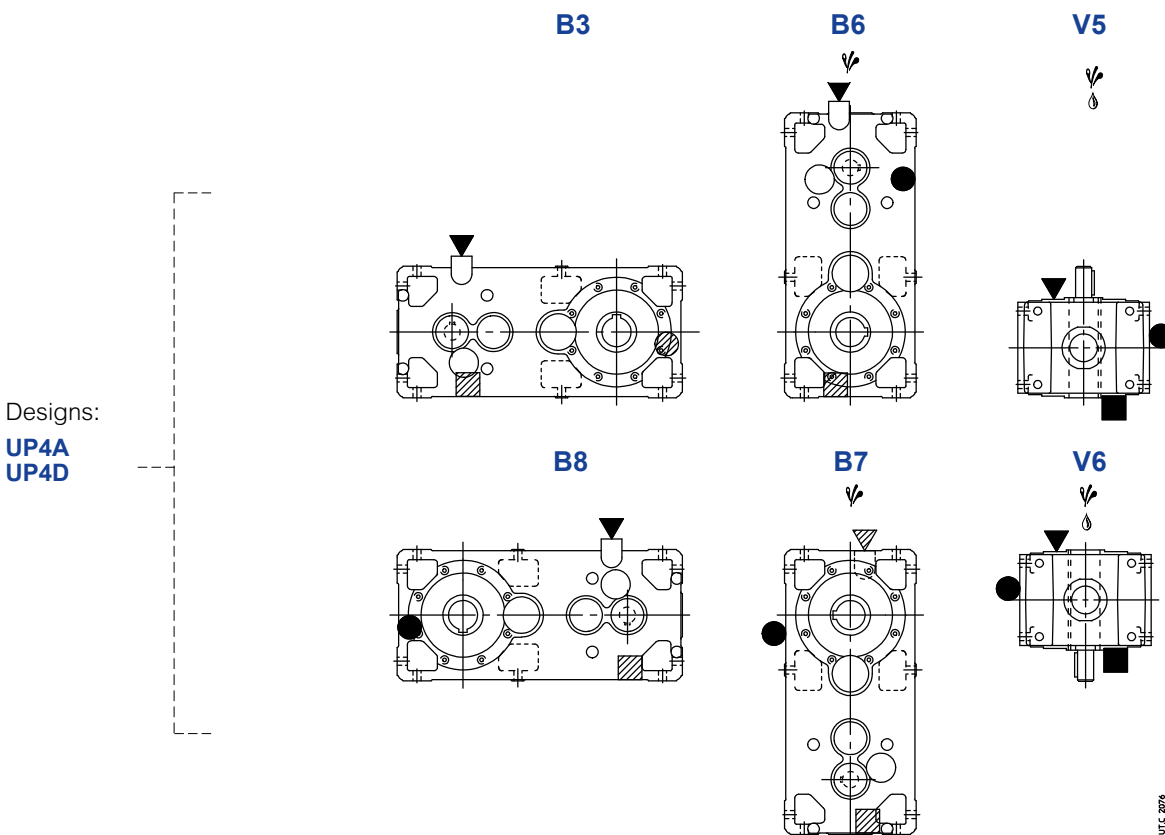
Mounting position	100	125	140	160	180	200	225	250	280	320, 321	360
B3	4,2	8	8,8	16	17,4	33	34	62	66	124	127
B8	4,2	8	8,8	16	17,4	33	34	62	66	124	127
B6	8	15,8	16,2	30	31	58	60	111	116	214	218
B7	7,6	14	15,2	28	29	54	56	103	108	199	202
V5	6,6	6,6	13,2	24	25	47	49	89	94	177	180
V6	12	12	13,2	24	25	47	49	89	94	177	180

Lubrication details

R 2I 100, 125 – Long model



R 2I 140 ... 360 – Long model



☼ Possible high oil splash: for the corrective factor f_{t3} of nominal thermal power P_{tN} see ch. 4.

☼ Possible bearing lubrication pump or lubrication device on high speed shaft (see ch. 17 (19)).

1) See also ch. 6 page. 43.

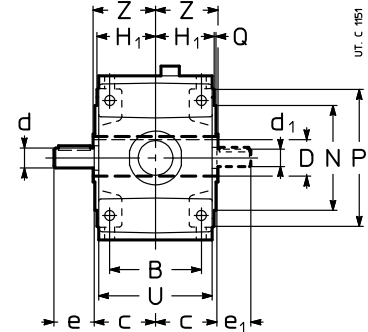
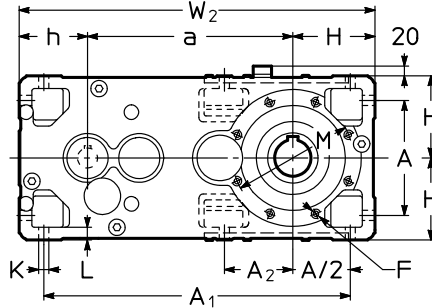
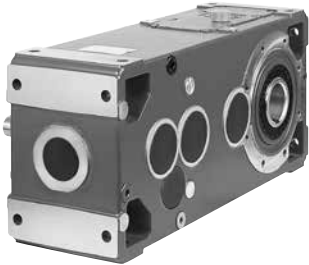
- ▼ oil filler plug
- oil level plug
- oil drain plug
- ▼● oil drain plug with oil level dip stick

- ▼ oil filler plug on opposite side (not in view)
- oil level plug on opposite side (not in view)
- oil drain plug on opposite side (not in view)

8.5 - Gear reducers R 3I – Long model

Dimensions

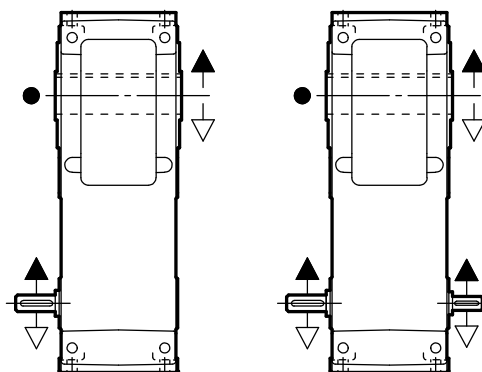
R 3I 140 ... 360 – Long model



Size	a	A	A ₁	A ₂	B	c	D Ø H7	i _N ≤ 63		i _N ≥ 71		F	H	H ₁	h	K Ø	L	M Ø	N Ø h6	P Ø	Q	U	W ₂	Z	kg		
								d Ø	e	d Ø	e															d ₁ Ø	e ₁
140	373	212	560	127	162	107	70	28	60	24	50	24	50	2)	150	103,5	125	18	23	265	230	300	4	201	648	125	124
160	450	252	672	-	201	132	80	32	80	28	60	28	60	M16	180	128,5	150	22	28	265	230	300	4	249	780	136	204
180	470	252	692	170	201	132	90	32	80	28	60	28	60	M16	180	128,5	150	22	28	300	250	350	5	249	800	150	222
200	556	320	831	-	250	162	100	42	110	38	80	38	80	2)	225	158	180	27	34	350	300	400	5	307	961	167	357
225	581	320	856	223	250	162	110	42	110	38	80	38	80	M20	225	158	180	27	34	400	350	450	5	307	986	180	389
250	690	396	1031	-	310	200	125	55	110	48	110	45	110	2)	280	195	225	33	42	500	450	550	5	380	1195	206	625
280	720	396	1061	277	310	200	140	55	110	48	110	45	110	M24	280	195	225	33	42	500	450	550	5	380	1225	222	682
320, 321	870	510	1305	-	386	245	160	70	140	55	110	55	110	2)	355	241	280	39	52	600	550	660	6	470	1505	254	1290
360	910	510	1345	358	386	245	180	70	140	55	110	55	110	M30	355	241	280	39	52	600	550	660	6	470	1545	273	1445

Designs (direction of rotation)

R 3I 140 ... 360 – Long model



UP4A

UP4D

● Position of reference groove (see ch. 6) for radial load verification.

1) Working length of thread 2 · F.

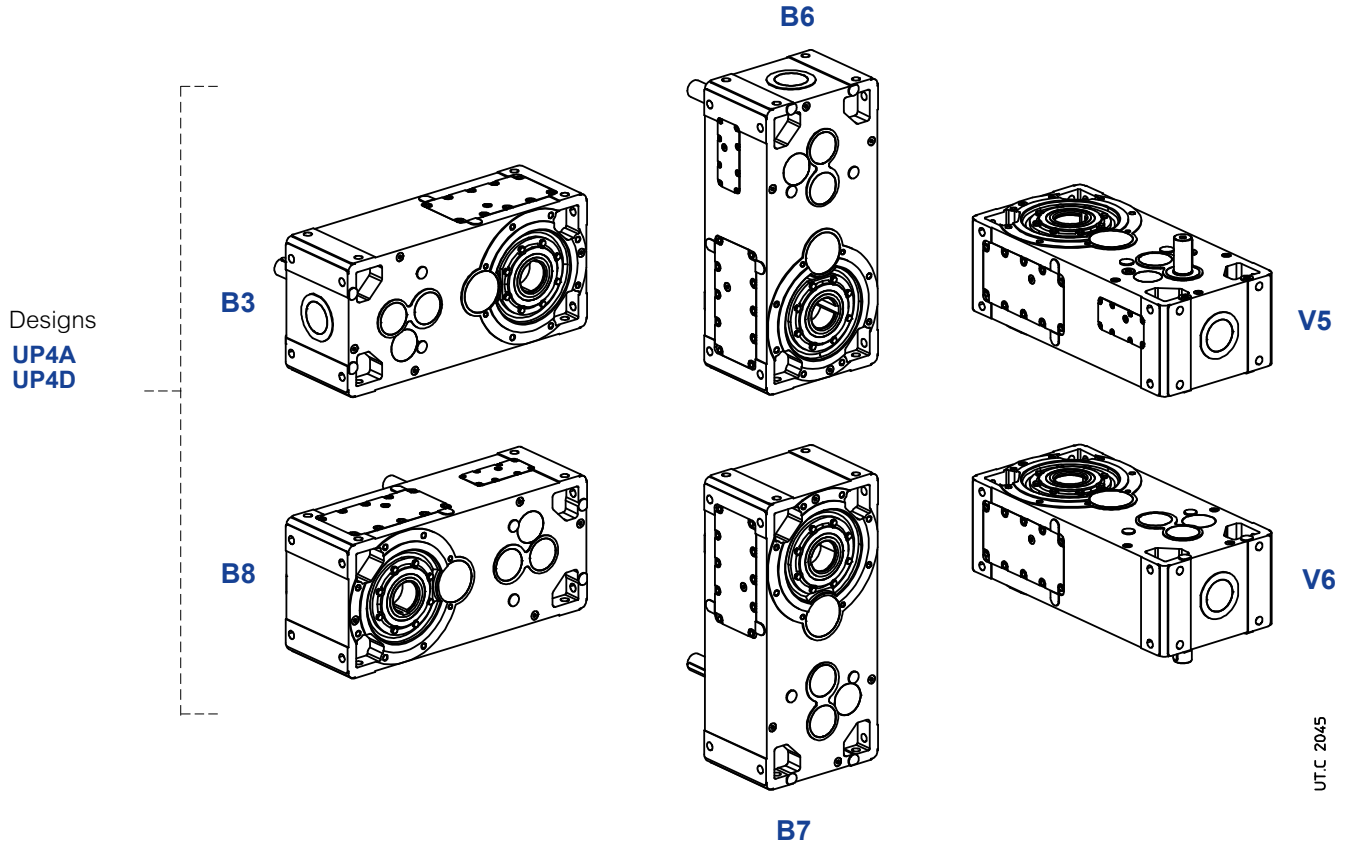
2) For dimension, number and angular position see ch. 6.



Mounting positions

Unless otherwise stated, gear reducers are supplied in mounting position **B3** (see ch. 2).

R 3I 140 ... 360 – Long model



Oil quantity R 3I 140 ... 360 – Long model

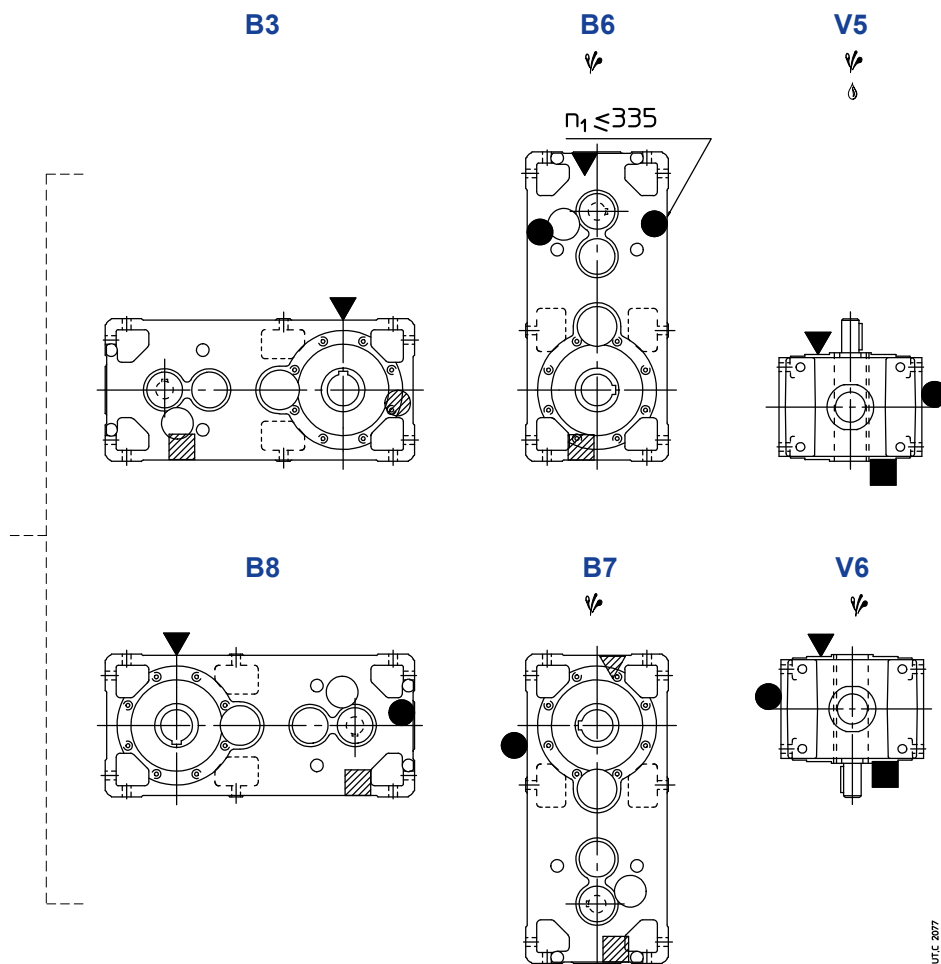
Stated oil quantities [l] are approximate for provisioning. The exact oil quantity the gear reducer is to be filled with is defined by the level plug.

Mounting position	140	160	180	200	225	250	280	320, 321	360
B3	8,8	16	17,4	33	34	62	66	124	127
B8	12,2	22	23	43	45	82	87	164	167
B6	15,2	28	29	54	56	103	108	199	202
B7	15,2	28	29	54	56	103	108	199	202
V5	13,2	24	25	47	49	89	94	177	180
V6	13,2	24	25	47	49	89	94	177	180

Lubrication details

R 3I 140 ... 360 – Long model

Designs:
UP4A
UP4D



U.T.C. 2077

▽ Possible high oil splash: for the corrective factor f_{t3} of nominal thermal power P_{tN} see ch. 4.

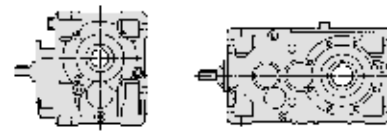
⚡ Possible bearing lubrication pump or lubrication device on high speed shaft (see ch. 17 (19)).

▽ oil filler plug
● oil level plug
■ oil drain plug

▽ oil filler plug on opposite side (not in view)
● oil level plug on opposite side (not in view)
■ oil drain plug on opposite side (not in view)

9 – Bevel helical gear reducer selection tables

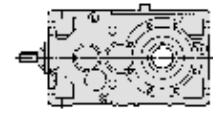
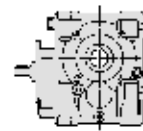
Bevel helical gear reducer selection tables



$n_{N2} \cdot L_h$ min ⁻¹ · h	i_N	P_{N2} kW																i_N	n_1	n_{N2}	
		M_{N2} N m																			
		... / i																			
		50	63	64	80	81	100	125	140	160	180	200	225	250	280	320	321	360			
45 000 000	4	-	-	-	-	-	-	-	-	-	-	3 830 CI/4,1	-	7 480 CI/4	-	13 030 CI/3,9	16 290 CI/3,9	-			
	4	-	-	-	-	-	-	-	-	-	-	3 930 CI/4,1	-	7 670 CI/4	-	13 380 CI/3,9	16 720 CI/3,9	-			
35 500 000	5	-	-	-	-	-	-	1 200 CI/5,06	-	2 280 CI/4,89	-	4 780 CI/5,11	-	9 450 CI/5,06	-	16 320 CI/4,89	20 390 CI/4,89	-			
	4	-	-	-	-	-	-	-	-	-	-	4 040 CI/4,1	-	7 880 CI/4	-	13 740 CI/3,9	17 180 CI/3,9	-			
31 500 000	5	-	-	-	-	-	-	1 230 CI/5,06	-	2 340 CI/4,89	-	4 900 CI/5,11	-	9 710 CI/5,06	-	16 750 CI/4,89	20 940 CI/4,89	-			
	4	-	-	-	-	-	-	-	-	-	-	4 140 CI/4,1	-	8 080 CI/4	-	14 090 CI/3,9	17 620 CI/3,9	-			
28 000 000	6,3	93 CI/6,53	165 CI/6,57	210 CI/6,57	355 CI/6,27	395 CI/6,27	730 CI/6,53	1 560 CI/6,57	-	2 930 CI/6,27	-	6 100 CI/6,53	-	12 280 CI/6,57	-	20 910 CI/6,27	26 140 CI/6,27	-			
	5	-	-	-	-	-	-	1 260 CI/5,06	-	2 410 CI/4,89	-	5 040 CI/5,11	-	9 970 CI/5,06	-	17 210 CI/4,89	21 510 CI/4,89	-			
	4	-	-	-	-	-	-	-	-	-	-	4 260 CI/4,1	-	8 320 CI/4	-	14 490 CI/3,9	18 120 CI/3,9	-			
25 000 000	6,3	95 CI/6,53	170 CI/6,57	215 CI/6,57	365 CI/6,27	410 CI/6,27	750 CI/6,53	1 600 CI/6,57	-	3 010 CI/6,27	-	6 270 CI/6,53	-	12 610 CI/6,57	-	21 470 CI/6,27	26 840 CI/6,27	-			
	5	-	-	-	-	-	-	1 300 CI/5,06	-	2 470 CI/4,89	-	5 170 CI/5,11	-	10 220 CI/5,06	-	17 650 CI/4,89	22 060 CI/4,89	-			
	4	-	-	-	-	-	-	-	-	-	-	4 390 CI/4,1	-	8 580 CI/4	-	14 960 CI/3,9	18 710 CI/3,9	-			
22 400 000	8	110 CI/7,85	200 CI/8	255 CI/8	440 CI/8,33	510 CI/8,33	875 CI/7,85	1 770 CI/8	2 180 CI/8,15	3 540 CI/8,27	4 440 CI/8,31	7 060 CI/8,27	8 560 CI/8,14	13 160 CI/8,21	17 140 CI/8,15	22 170 CI/7,83	27 610 CI/7,83	33 370 CI/8			
	6,3	98 CI/6,53	175 CI/6,57	220 CI/6,57	375 CI/6,27	420 CI/6,27	770 CI/6,53	1 640 CI/6,57	-	3 090 CI/6,27	-	6 440 CI/6,53	-	12 950 CI/6,57	-	22 060 CI/6,27	27 570 CI/6,27	-			
	5	-	-	-	-	-	-	1 330 CI/5,06	-	2 540 CI/4,89	-	5 310 CI/5,11	-	10 520 CI/5,06	-	18 150 CI/4,89	22 690 CI/4,89	-			
	4	-	-	-	-	-	-	-	-	-	-	4 510 CI/4,1	-	8 820 CI/4	-	15 370 CI/3,9	19 220 CI/3,9	-			
20 000 000	9	-	-	-	-	-	-	-	2 400 CI/9	3 620 CI/9,04	4 980 CI/9,33	7 150 CI/8,93	9 810 CI/9,33	14 480 CI/9,04	18 920 CI/9	24 760 CI/8,75	30 840 CI/8,75	37 400 CI/9,2			
	8	110 CI/7,85	205 CI/8	260 CI/8	450 CI/8,33	520 CI/8,33	900 CI/7,85	1 820 CI/8	2 230 CI/8,15	3 630 CI/8,27	4 550 CI/8,31	7 250 CI/8,27	8 790 CI/8,14	13 510 CI/8,21	17 600 CI/8,15	22 760 CI/7,83	28 340 CI/7,83	34 260 CI/8			

For n_1 lower than 560 min⁻¹ see page 195.

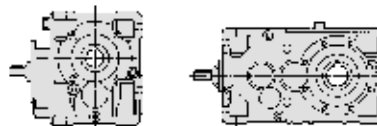
Bevel helical gear reducer selection tables



$n_{N2} \cdot L_h$ min ⁻¹ · h	i_N	P_{N2} kW																	i_N	n_1	n_{N2}
		M_{N2} N m																			
		... //																			
		50	63	64	80	81	100	125	140	160	180	200	225	250	280	320	321	360			
20 000 000	6,3	100 CI/6,53	180 CI/6,57	225 CI/6,57	385 CI/6,27	430 CI/6,27	790 CI/6,53	1 680 CI/6,57	—	3 170 CI/6,27	—	6 600 CI/6,53	—	13 280 CI/6,57	—	22 620 CI/6,27	28 270 CI/6,27	—			
	5	—	—	—	—	—	—	1 380 CI/5,06	—	2 620 CI/4,89	—	5 480 CI/5,11	—	10 860 CI/5,06	—	18 740 CI/4,89	23 420 CI/4,89	—			
	4	—	—	—	—	—	—	—	—	—	—	4 630 CI/4,1	—	9 050 CI/4	—	15 780 CI/3,9	19 730 CI/3,9	—			
18 000 000	10	105 CI/10,3	210 CI/10	255 CI/10	440 CI/10,4	510 CI/10,4	895 CI/9,81	1 790 CI/10	2 310 CI/10,2	3 610 CI/10,3	4 710 CI/10,4	7 200 CI/10,3	9 100 CI/10,2	14 370 CI/10	18 230 CI/10,2	25 590 CI/10,2	31 330 CI/10,2	35 240 CI/10			
	9	—	—	—	—	—	—	—	2 470 CI/9	3 720 CI/9,04	5 120 CI/9,33	7 340 CI/8,93	10 070 CI/9,33	14 860 CI/9,04	19 420 CI/9	25 420 CI/8,75	31 650 CI/8,75	38 390 CI/9,2			
	8	115 CI/7,85	210 CI/8	265 CI/8	460 CI/8,33	535 CI/8,33	925 CI/7,85	1 870 CI/8	2 300 CI/8,15	3 730 CI/8,27	4 680 CI/8,31	7 450 CI/8,27	9 030 CI/8,14	13 880 CI/8,21	18 080 CI/8,15	23 380 CI/7,83	29 110 CI/7,83	35 200 CI/8			
	6,3	105 CI/6,53	185 CI/6,57	230 CI/6,57	395 CI/6,27	440 CI/6,27	810 CI/6,53	1 730 CI/6,57	—	3 260 CI/6,27	—	6 790 CI/6,53	—	13 660 CI/6,57	—	23 260 CI/6,27	29 080 CI/6,27	—			
	5	—	—	—	—	—	—	1 410 CI/5,06	—	2 690 CI/4,89	—	5 630 CI/5,11	—	11 150 CI/5,06	—	19 250 CI/4,89	24 060 CI/4,89	—			
	4	—	—	—	—	—	—	—	—	—	—	4 760 CI/4,1	—	9 300 CI/4	—	16 210 CI/3,9	20 270 CI/3,9	—			
16 000 000	11,2	—	—	—	—	—	—	—	2 480 CI/11,3	3 380 CI/11,4	5 260 CI/11,7	6 670 CI/11,3	10 430 CI/11,7	13 510 CI/11,4	20 120 CI/11,3	23 360 CI/11	29 200 CI/11	38 140 CI/11,5			
	10	105 CI/10,3	215 CI/10	260 CI/10	455 CI/10,4	525 CI/10,4	920 CI/9,81	1 840 CI/10	2 370 CI/10,2	3 700 CI/10,3	4 840 CI/10,4	7 390 CI/10,3	9 350 CI/10,2	14 750 CI/10	18 720 CI/10,2	26 270 CI/10,2	32 160 CI/10,2	36 180 CI/10			
	9	—	—	—	—	—	—	—	2 530 CI/9	3 820 CI/9,04	5 260 CI/9,33	7 540 CI/8,93	10 350 CI/9,33	15 270 CI/9,04	19 960 CI/9	26 120 CI/8,75	32 520 CI/8,75	39 440 CI/9,2			
	8	115 CI/7,85	215 CI/8	275 CI/8	475 CI/8,33	550 CI/8,33	950 CI/7,85	1 920 CI/8	2 350 CI/8,15	3 830 CI/8,27	4 800 CI/8,31	7 640 CI/8,27	9 260 CI/8,14	14 230 CI/8,21	18 540 CI/8,15	23 980 CI/7,83	29 860 CI/7,83	36 090 CI/8			
	6,3	105 CI/6,53	190 CI/6,57	240 CI/6,57	410 CI/6,27	455 CI/6,27	840 CI/6,53	1 790 CI/6,57	—	3 360 CI/6,27	—	7 010 CI/6,53	—	14 100 CI/6,57	—	24 020 CI/6,27	30 020 CI/6,27	—			
	5	—	—	—	—	—	—	1 450 CI/5,06	—	2 770 CI/4,89	—	5 780 CI/5,11	—	11 450 CI/5,06	—	19 760 CI/4,89	24 700 CI/4,89	—			
4	—	—	—	—	—	—	—	—	—	—	4 830 CI/4,1	—	9 430 CI/4	—	16 440 CI/3,9	20 540 CI/3,9	—				
14 000 000	12,5	110 CI/12,4	200 CI/12,6	255 CI/12,6	445 CI/13,1	515 CI/13,1	875 CI/12,4	1 820 CI/12,6	2 180 CI/12,9	3 860 CI/13	4 440 CI/13,1	7 720 CI/13	8 560 CI/12,8	14 950 CI/12,6	17 140 CI/12,9	23 190 CI/12,8	28 390 CI/12,8	33 370 CI/12,6			
	11,2	—	—	—	—	—	—	—	2 540 CI/11,3	3 470 CI/11,4	5 400 CI/11,7	6 850 CI/11,3	10 710 CI/11,7	13 870 CI/11,4	20 660 CI/11,3	23 980 CI/11	29 980 CI/11	39 160 CI/11,5			

For n_1 lower than 560 min⁻¹ see page 195.

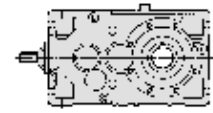
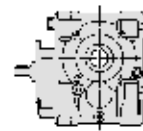
Bevel helical gear reducer selection tables



$n_{N2} \cdot L_h$ min ⁻¹ · h	i_N	P_{N2} kW																i_N	n_1 min ⁻¹	n_{N2} min ⁻¹	
		M_{N2} N m																			
		... / i																			
		50	63	64	80	81	100	125	140	160	180	200	225	250	280	320	321	360			
14 000 000	10	110 CI/10,3	220 CI/10	270 CI/10	465 CI/10,4	540 CI/10,4	945 CI/9,81	1 890 CI/10	2 440 CI/10,2	3 810 CI/10,3	4 970 CI/10,4	7 590 CI/10,3	9 600 CI/10,2	15 160 CI/10	19 230 CI/10,2	26 990 CI/10,2	33 050 CI/10,2	37 170 CI/10			
	9	-	-	-	-	-	-	-	2 600 CI/9	3 910 CI/9,04	5 390 CI/9,33	7 730 CI/8,93	10 610 CI/9,33	15 660 CI/9,04	20 460 CI/9	26 780 CI/8,75	33 350 CI/8,75	40 450 CI/9,2			
	8	120 CI/7,85	225 CI/8	280 CI/8	490 CI/8,33	565 CI/8,33	975 CI/7,85	1 970 CI/8	2 420 CI/8,15	3 930 CI/8,27	4 930 CI/8,31	7 860 CI/8,27	9 520 CI/8,14	14 640 CI/8,21	19 070 CI/8,15	24 660 CI/7,83	30 710 CI/7,83	37 120 CI/8			
	6,3	110 CI/6,53	195 CI/6,57	245 CI/6,57	420 CI/6,27	470 CI/6,27	860 CI/6,53	1 840 CI/6,57	-	3 450 CI/6,27	-	7 200 CI/6,53	-	14 490 CI/6,57	-	24 670 CI/6,27	30 840 CI/6,27	-			
	5	-	-	-	-	-	-	1 490 CI/5,06	-	2 840 CI/4,89	-	5 940 CI/5,11	-	11 760 CI/5,06	-	20 300 CI/4,89	25 380 CI/4,89	-			
	4	-	-	-	-	-	-	-	-	-	-	4 890 CI/4,1	-	9 550 CI/4	-	16 640 CI/3,9	20 800 CI/3,9	-			
12 500 000	14	-	-	-	-	-	-	-	2 400 CI/14,2	3 760 CI/14,2	4 980 CI/14,7	7 680 CI/14,2	9 810 CI/14,7	15 350 CI/14,1	18 920 CI/14,2	24 610 CI/14,2	29 210 CI/14,2	38 380 CI/14,5			
	12,5	110 CI/12,4	205 CI/12,6	260 CI/12,6	455 CI/13,1	530 CI/13,1	900 CI/12,4	1 870 CI/12,6	2 230 CI/12,9	3 960 CI/13	4 550 CI/13,1	7 930 CI/13	8 790 CI/12,8	15 350 CI/12,6	17 600 CI/12,9	23 800 CI/12,8	29 140 CI/12,8	34 260 CI/12,6			
	11,2	-	-	-	-	-	-	-	2 610 CI/11,3	3 560 CI/11,4	5 550 CI/11,7	7 040 CI/11,3	11 000 CI/11,7	14 250 CI/11,4	21 220 CI/11,3	24 640 CI/11	30 800 CI/11	40 230 CI/11,5			
	10	110 CI/10,3	225 CI/10	275 CI/10	475 CI/10,4	555 CI/10,4	970 CI/9,81	1 940 CI/10	2 500 CI/10,2	3 900 CI/10,3	5 100 CI/10,4	7 780 CI/10,3	9 850 CI/10,2	15 540 CI/10	19 720 CI/10,2	27 670 CI/10,2	33 890 CI/10,2	38 110 CI/10			
	9	-	-	-	-	-	-	-	2 670 CI/9	4 030 CI/9,04	5 540 CI/9,33	7 950 CI/8,93	10 910 CI/9,33	16 100 CI/9,04	21 050 CI/9	27 540 CI/8,75	34 300 CI/8,75	41 600 CI/9,2			
	8	125 CI/7,85	230 CI/8	290 CI/8	505 CI/8,33	585 CI/8,33	1 010 CI/7,85	2 030 CI/8	2 500 CI/8,15	4 060 CI/8,27	5 090 CI/8,31	8 110 CI/8,27	9 830 CI/8,14	15 110 CI/8,21	19 690 CI/8,15	25 460 CI/7,83	31 700 CI/7,83	38 320 CI/8			
	6,3	110 CI/6,53	200 CI/6,57	250 CI/6,57	430 CI/6,27	480 CI/6,27	885 CI/6,53	1 890 CI/6,57	-	3 550 CI/6,27	-	7 390 CI/6,53	-	14 870 CI/6,57	-	25 330 CI/6,27	31 660 CI/6,27	-			
5	-	-	-	-	-	-	1 510 CI/5,06	-	2 880 CI/4,89	-	6 020 CI/5,11	-	11 920 CI/5,06	-	20 580 CI/4,89	25 720 CI/4,89	-				
4	-	-	-	-	-	-	-	-	-	-	4 960 CI/4,1	-	9 680 CI/4	-	16 880 CI/3,9	21 100 CI/3,9	-				
11 200 000	16	96 CI/15,2	180 CI/15,8	220 CI/15,8	385 CI/16,4	445 CI/16,4	790 CI/15,2	1 580 CI/15,8	2 300 CI/15,8	3 440 CI/15,5	4 870 CI/16	7 080 CI/15,5	9 680 CI/16	14 160 CI/16	19 380 CI/15,8	23 070 CI/16,3	28 770 CI/16,3	36 930 CI/16			
	14	-	-	-	-	-	-	-	2 470 CI/14,2	3 860 CI/14,2	5 120 CI/14,7	7 880 CI/14,2	10 070 CI/14,7	15 760 CI/14,1	19 420 CI/14,2	25 270 CI/14,2	29 980 CI/14,2	39 400 CI/14,5			
	12,5	115 CI/12,4	210 CI/12,6	265 CI/12,6	470 CI/13,1	540 CI/13,1	925 CI/12,4	1 920 CI/12,6	2 300 CI/12,9	4 070 CI/13	4 680 CI/13,1	8 150 CI/13	9 030 CI/12,8	15 770 CI/12,6	18 080 CI/12,9	24 460 CI/12,8	29 940 CI/12,8	35 200 CI/12,6			

For n_1 lower than 560 min⁻¹ see page 195.

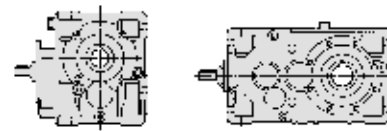
Bevel helical gear reducer selection tables



$n_{N2} \cdot L_h$ min ⁻¹ · h	i_N	P_{N2} kW																i_N	n_1	n_{N2} min ⁻¹	
		M_{N2} N m																			
		... / i																			
		50	63	64	80	81	100	125	140	160	180	200	225	250	280	320	321	360			
11 200 000	11,2	-	-	-	-	-	-	-	2 680 CI/11,3	3 650 CI/11,4	5 690 CI/11,7	7 220 CI/11,3	11 280 CI/11,7	14 610 CI/11,4	21 760 CI/11,3	25 260 CI/11	31 580 CI/11	41 250 CI/11,5			
	10	115 CI/10,3	230 CI/10	285 CI/10	490 CI/10,4	570 CI/10,4	1000 CI/9,81	2 000 CI/10	2 570 CI/10,2	4 010 CI/10,3	5 240 CI/10,4	8 010 CI/10,3	10 130 CI/10,2	15 990 CI/10	20 280 CI/10,2	28 460 CI/10,2	34 850 CI/10,2	39 200 CI/10			
	9	-	-	-	-	-	-	-	2 760 CI/9	4 160 CI/9,04	5 720 CI/9,33	8 210 CI/8,93	11 270 CI/9,33	16 630 CI/9,04	21 730 CI/9	28 440 CI/8,75	35 410 CI/8,75	42 940 CI/9,2			
	8	125 CI/7,85	235 CI/8	300 CI/8	515 CI/8,33	600 CI/8,33	1 030 CI/7,85	2 090 CI/8	2 570 CI/8,15	4 170 CI/8,27	5 230 CI/8,31	8 330 CI/8,27	10 100 CI/8,14	15 520 CI/8,21	20 230 CI/8,15	26 150 CI/7,83	32 570 CI/7,83	39 370 CI/8			
	6,3	115 CI/6,53	205 CI/6,57	260 CI/6,57	440 CI/6,27	495 CI/6,27	910 CI/6,53	1 940 CI/6,57	-	3 640 CI/6,27	-	7 600 CI/6,53	-	15 280 CI/6,57	-	26 020 CI/6,27	32 530 CI/6,27	-			
	5	-	-	-	-	-	-	1 530 CI/5,06	-	2 920 CI/4,89	-	6 100 CI/5,11	-	12 080 CI/5,06	-	20 840 CI/4,89	26 050 CI/4,89	-			
	4	-	-	-	-	-	-	-	-	-	-	5 030 CI/4,1	-	9 820 CI/4	-	17 120 CI/3,9	21 400 CI/3,9	-			
10 000 000	18	-	-	-	-	-	-	-	2 330 CI/18	3 660 CI/18	4 830 CI/18,7	7 300 CI/18	9 560 CI/18,7	14 520 CI/17,9	18 470 CI/18	22 330 CI/18	28 200 CI/18	37 460 CI/18,4			
	16	99 CI/15,2	185 CI/15,8	230 CI/15,8	395 CI/16,4	455 CI/16,4	815 CI/15,2	1 620 CI/15,8	2 360 CI/15,8	3 540 CI/15,5	5 000 CI/16	7 270 CI/15,5	9 930 CI/16	14 530 CI/16	19 900 CI/15,8	23 680 CI/16,3	29 540 CI/16,3	37 910 CI/16			
	14	-	-	-	-	-	-	-	2 530 CI/14,2	3 960 CI/14,2	5 260 CI/14,7	8 100 CI/14,2	10 350 CI/14,7	16 190 CI/14,1	19 960 CI/14,2	25 960 CI/14,2	30 800 CI/14,2	40 480 CI/14,5			
	12,5	120 CI/12,4	215 CI/12,6	275 CI/12,6	480 CI/13,1	555 CI/13,1	950 CI/12,4	1 970 CI/12,6	2 350 CI/12,9	4 180 CI/13	4 800 CI/13,1	8 350 CI/13	9 260 CI/12,8	16 170 CI/12,6	18 540 CI/12,9	25 080 CI/12,8	30 700 CI/12,8	36 090 CI/12,6			
	11,2	-	-	-	-	-	-	-	2 760 CI/11,3	3 760 CI/11,4	5 850 CI/11,7	7 420 CI/11,3	11 610 CI/11,7	15 030 CI/11,4	22 380 CI/11,3	25 980 CI/11	32 480 CI/11	42 430 CI/11,5			
	10	120 CI/10,3	240 CI/10	295 CI/10	505 CI/10,4	585 CI/10,4	1 030 CI/9,81	2 060 CI/10	2 660 CI/10,2	4 140 CI/10,3	5 410 CI/10,4	8 270 CI/10,3	10 450 CI/10,2	16 500 CI/10	20 940 CI/10,2	29 380 CI/10,2	35 980 CI/10,2	40 470 CI/10			
	9	-	-	-	-	-	-	-	2 830 CI/9	4 270 CI/9,04	5 880 CI/9,33	8 440 CI/8,93	11 580 CI/9,33	17 080 CI/9,04	22 320 CI/9	29 210 CI/8,75	36 380 CI/8,75	44 120 CI/9,2			
	8	130 CI/7,85	245 CI/8	305 CI/8	530 CI/8,33	615 CI/8,33	1 060 CI/7,85	2 150 CI/8	2 640 CI/8,15	4 280 CI/8,27	5 370 CI/8,31	8 550 CI/8,27	10 370 CI/8,14	15 940 CI/8,21	20 760 CI/8,15	26 850 CI/7,83	33 430 CI/7,83	40 420 CI/8			
	6,3	115 CI/6,53	205 CI/6,57	265 CI/6,57	450 CI/6,27	500 CI/6,27	920 CI/6,53	1 960 CI/6,57	-	3 690 CI/6,27	-	7 700 CI/6,53	-	15 490 CI/6,57	-	26 380 CI/6,27	32 970 CI/6,27	-			
	5	-	-	-	-	-	-	1 550 CI/5,06	-	2 960 CI/4,89	-	6 190 CI/5,11	-	12 250 CI/5,06	-	21 130 CI/4,89	26 420 CI/4,89	-			
4	-	-	-	-	-	-	-	-	-	-	5 100 CI/4,1	-	9 960 CI/4	-	17 370 CI/3,9	21 710 CI/3,9	-				

For n_1 lower than 560 min⁻¹ see page 195.

Bevel helical gear reducer selection tables

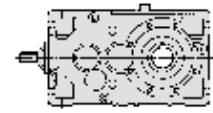
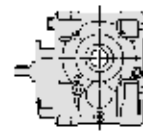


9

$n_{N2} \cdot L_h$ min ⁻¹ · h	i_N	P_{N2} kW																i_N	n_1	n_{N2} min ⁻¹	
		M_{N2} N m																			
		50	63	64	80	81	100	125	140	160	180	200	225	250	280	320	321				360
9 000 000	20	-	-	-	-	-	-	2 500 C21/20,4	4 250 C21/20,6	5 590 C21/21,4	8 620 C21/20,5	10 410 C21/19,9	17 350 C21/21,5	21 450 C21/20,8	30 370 C21/20,6	37 700 C21/20,6	43 990 C21/21,4				
	20	97 CI/19,3	180 CI/20	225 CI/20	385 CI/20,8	445 CI/20,8	800 CI/19,3	1 600 CI/20	2 300 CI/20	3 490 CI/19,7	4 600 CI/20,3	7 170 CI/19,7	9 210 CI/20,3	14 340 CI/20,3	18 190 CI/20	23 510 CI/19,7	28 080 CI/19,7	35 880 CI/20,3			
	18	-	-	-	-	-	-	2 390 CI/18	3 760 CI/18	4 960 CI/18,7	7 490 CI/18	9 820 CI/18,7	14 900 CI/17,9	18 960 CI/18	22 920 CI/18	28 940 CI/18	38 450 CI/18,4				
	16	100 CI/15,2	190 CI/15,8	235 CI/15,8	405 CI/16,4	470 CI/16,4	835 CI/15,2	1 670 CI/15,8	2 420 CI/15,8	3 630 CI/15,5	5 130 CI/16	7 470 CI/15,5	10 210 CI/16	14 930 CI/16	20 440 CI/15,8	24 330 CI/16,3	30 340 CI/16,3	38 950 CI/16			
	14	-	-	-	-	-	-	2 600 CI/14,2	4 060 CI/14,2	5 390 CI/14,7	8 300 CI/14,2	10 610 CI/14,7	16 610 CI/14,1	20 460 CI/14,2	26 620 CI/14,2	31 590 CI/14,2	41 510 CI/14,5				
	12,5	120 CI/12,4	225 CI/12,6	280 CI/12,6	495 CI/13,1	570 CI/13,1	975 CI/12,4	2 020 CI/12,6	2 420 CI/12,9	4 300 CI/13	4 930 CI/13,1	8 590 CI/13	9 520 CI/12,8	16 630 CI/12,6	19 070 CI/12,9	25 790 CI/12,8	31 580 CI/12,8	37 120 CI/12,6			
	11,2	-	-	-	-	-	-	2 840 CI/11,3	3 880 CI/11,4	6 040 CI/11,7	7 660 CI/11,3	11 980 CI/11,7	15 520 CI/11,4	23 110 CI/11,3	26 830 CI/11	33 530 CI/11	43 800 CI/11,5				
	10	120 CI/10,3	245 CI/10	300 CI/10	520 CI/10,4	605 CI/10,4	1 060 CI/9,81	2 120 CI/10	2 730 CI/10,2	4 260 CI/10,3	5 560 CI/10,4	8 490 CI/10,3	10 740 CI/10,2	16 960 CI/10	21 510 CI/10,2	30 190 CI/10,2	36 970 CI/10,2	41 580 CI/10			
	9	-	-	-	-	-	-	2 910 CI/9	4 380 CI/9,04	6 040 CI/9,33	8 660 CI/8,93	11 880 CI/9,33	17 540 CI/9,04	22 920 CI/9	29 990 CI/8,75	37 350 CI/8,75	45 290 CI/9,2				
	8	135 CI/7,85	250 CI/8	315 CI/8	545 CI/8,33	630 CI/8,33	1 090 CI/7,85	2 200 CI/8	2 710 CI/8,15	4 400 CI/8,27	5 520 CI/8,31	8 790 CI/8,27	10 650 CI/8,14	16 370 CI/8,21	21 330 CI/8,15	27 580 CI/7,83	34 350 CI/7,83	41 530 CI/8			
	6,3	120 CI/6,53	210 CI/6,57	265 CI/6,57	455 CI/6,27	510 CI/6,27	935 CI/6,53	1 990 CI/6,57	-	3 740 CI/6,27	-	7 800 CI/6,53	-	15 690 CI/6,57	-	26 710 CI/6,27	33 390 CI/6,27	-			
	5	-	-	-	-	-	-	1 570 CI/5,06	-	3 000 CI/4,89	-	6 280 CI/5,11	-	12 420 CI/5,06	-	21 440 CI/4,89	26 800 CI/4,89	-			
4	-	-	-	-	-	-	-	-	-	-	5 170 CI/4,1	-	10 100 CI/4	-	17 610 CI/3,9	22 020 CI/3,9	-				
8 000 000	22,4	-	-	-	-	-	-	2 870 C21/23,8	4 250 C21/23,8	6 070 C21/23,7	8 620 C21/22,4	12 020 C21/23	17 350 C21/23,6	23 950 C21/23,8	30 370 C21/23	37 800 C21/23	47 910 C21/23,7				
	20	-	-	-	-	-	-	2 570 C21/20,4	4 360 C21/20,6	5 730 C21/21,4	8 850 C21/20,5	10 690 C21/19,9	17 810 C21/21,5	22 010 C21/20,8	31 170 C21/20,6	38 700 C21/20,6	45 150 C21/21,4				
	20	99 CI/19,3	185 CI/20	230 CI/20	400 CI/20,8	460 CI/20,8	825 CI/19,3	1 640 CI/20	2 360 CI/20	3 580 CI/19,7	4 730 CI/20,3	7 360 CI/19,7	9 450 CI/20,3	14 720 CI/20,3	18 670 CI/20	24 130 CI/19,7	28 820 CI/19,7	36 830 CI/20,3			
	18	-	-	-	-	-	-	2 450 CI/18	3 860 CI/18	5 090 CI/18,7	7 700 CI/18	10 090 CI/18,7	15 310 CI/17,9	19 480 CI/18	23 550 CI/18	29 740 CI/18	39 510 CI/18,4				
	16	105 CI/15,2	195 CI/15,8	240 CI/15,8	415 CI/16,4	480 CI/16,4	855 CI/15,2	1 710 CI/15,8	2 490 CI/15,8	3 730 CI/15,5	5 270 CI/16	7 660 CI/15,5	10 470 CI/16	15 310 CI/16	20 960 CI/15,8	24 950 CI/16,3	31 120 CI/16,3	39 940 CI/16			

For n_1 lower than 560 min⁻¹ see page 195.

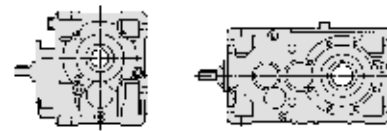
Bevel helical gear reducer selection tables



$n_{N2} \cdot L_h$ min ⁻¹ · h	i_N	P_{N2} kW																i_N	n_1 min ⁻¹	n_{N2}	
		M_{N2} N m																			
		... / i																			
		50	63	64	80	81	100	125	140	160	180	200	225	250	280	320	321	360			
8 000 000	14	-	-	-	-	-	-	-	2 670 CI/14,2	4 180 CI/14,2	5 540 CI/14,7	8 540 CI/14,2	10 910 CI/14,7	17 080 CI/14,1	21 050 CI/14,2	27 380 CI/14,2	32 490 CI/14,2	42 690 CI/14,5			
	12,5	125 CI/12,4	230 CI/12,6	290 CI/12,6	510 CI/13,1	590 CI/13,1	1 010 CI/12,4	2 090 CI/12,6	2 500 CI/12,9	4 440 CI/13	5 090 CI/13,1	8 870 CI/13	9 830 CI/12,8	17 170 CI/12,6	19 690 CI/12,9	26 630 CI/12,8	32 600 CI/12,8	38 320 CI/12,6			
	11,2	-	-	-	-	-	-	-	2 920 CI/11,3	3 990 CI/11,4	6 210 CI/11,7	7 870 CI/11,3	12 310 CI/11,7	15 940 CI/11,4	23 740 CI/11,3	27 560 CI/11	34 450 CI/11	45 000 CI/11,5			
	10	125 CI/10,3	255 CI/10	310 CI/10	535 CI/10,4	620 CI/10,4	1 090 CI/9,81	2 170 CI/10	2 800 CI/10,2	4 370 CI/10,3	5 710 CI/10,4	8 720 CI/10,3	11 030 CI/10,2	17 410 CI/10	22 080 CI/10,2	30 990 CI/10,2	37 950 CI/10,2	42 680 CI/10			
	9	-	-	-	-	-	-	-	2 990 CI/9	4 500 CI/9,04	6 200 CI/9,33	8 900 CI/8,93	12 210 CI/9,33	18 020 CI/9,04	23 540 CI/9	30 810 CI/8,75	38 370 CI/8,75	46 530 CI/9,2			
	8	135 CI/7,85	255 CI/8	320 CI/8	555 CI/8,33	640 CI/8,33	1 110 CI/7,85	2 230 CI/8	2 750 CI/8,15	4 460 CI/8,27	5 590 CI/8,31	8 910 CI/8,27	10 800 CI/8,14	16 600 CI/8,21	21 620 CI/8,15	27 960 CI/7,83	34 820 CI/7,83	42 090 CI/8			
	6,3	120 CI/6,53	215 CI/6,57	270 CI/6,57	460 CI/6,27	515 CI/6,27	945 CI/6,53	2 020 CI/6,57	-	3 790 CI/6,27	-	7 910 CI/6,53	-	15 910 CI/6,57	-	27 090 CI/6,27	33 860 CI/6,27	-			
	5	-	-	-	-	-	-	1 600 CI/5,06	-	3 040 CI/4,89	-	6 370 CI/5,11	-	12 600 CI/5,06	-	21 740 CI/4,89	27 180 CI/4,89	-			
4	-	-	-	-	-	-	-	-	-	-	5 240 CI/4,1	-	10 240 CI/4	-	17 850 CI/3,9	22 320 CI/3,9	-				
7 100 000	25	-	-	-	-	-	-	2 710 C21/24,5	4 290 C21/25,1	5 640 C21/26	8 720 C21/27	12 060 C21/26,3	17 500 C21/27,2	24 180 C21/26,4	30 650 C21/25,1	38 140 C21/25,1	48 360 C21/26				
	25	97 CI/24,1	190 CI/25	240 CI/25	390 CI/26	450 CI/26	740 CI/24,1	1 620 CI/25	-	3 200 CI/24,6	-	6 410 CI/24,6	-	13 110 CI/25,4	-	-	-	-			
	22,4	-	-	-	-	-	-	-	2 940 C21/23,8	4 360 C21/23,8	6 230 C21/23,7	8 850 C21/22,4	12 340 C21/23	17 810 C21/23,6	24 580 C21/23,8	31 170 C21/23	38 810 C21/23	49 180 C21/23,7			
	20	-	-	-	-	-	-	-	2 640 C21/20,4	4 480 C21/20,6	5 890 C21/21,4	9 100 C21/20,5	10 980 C21/19,9	18 300 C21/21,5	22 620 C21/20,8	32 030 C21/20,6	39 760 C21/20,6	46 390 C21/21,4			
	20	100 CI/19,3	190 CI/20	235 CI/20	410 CI/20,8	480 CI/20,8	845 CI/19,3	1 690 CI/20	2 430 CI/20	3 680 CI/19,7	4 860 CI/20,3	7 560 CI/19,7	9 710 CI/20,3	15 120 CI/20,3	19 180 CI/20	24 800 CI/19,7	29 610 CI/19,7	37 840 CI/20,3			
	18	-	-	-	-	-	-	-	2 520 CI/18	3 960 CI/18	5 220 CI/18,7	7 890 CI/18	10 340 CI/18,7	15 700 CI/17,9	19 980 CI/18	24 150 CI/18	30 490 CI/18	40 510 CI/18,4			
	16	105 CI/15,2	200 CI/15,8	245 CI/15,8	430 CI/16,4	500 CI/16,4	880 CI/15,2	1 760 CI/15,8	2 560 CI/15,8	3 830 CI/15,5	5 420 CI/16	7 870 CI/15,5	10 760 CI/16	15 750 CI/16	21 560 CI/15,8	25 660 CI/16,3	32 000 CI/16,3	41 080 CI/16			
	14	-	-	-	-	-	-	-	2 760 CI/14,2	4 310 CI/14,2	5 720 CI/14,7	8 820 CI/14,2	11 270 CI/14,7	17 630 CI/14,1	21 730 CI/14,2	28 270 CI/14,2	33 540 CI/14,2	44 070 CI/14,5			
12,5	130 CI/12,4	235 CI/12,6	300 CI/12,6	525 CI/13,1	605 CI/13,1	1 030 CI/12,4	2 140 CI/12,6	2 570 CI/12,9	4 560 CI/13	5 230 CI/13,1	9 110 CI/13	10 100 CI/12,8	17 640 CI/12,6	20 230 CI/12,9	27 360 CI/12,8	33 500 CI/12,8	39 370 CI/12,6				

For n_1 lower than 560 min⁻¹ see page 195.

Bevel helical gear reducer selection tables



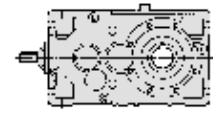
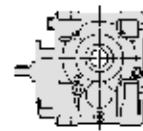
9

$n_{N2} \cdot L_h$ min ⁻¹ · h	i_N	P_{N2} kW																i_N	n_1 min ⁻¹	n_{N2} min ⁻¹	
		M_{N2} N m																			
		50	63	64	80	81	100	125	140	160	180	200	225	250	280	320	321				360
7 100 000	11,2	-	-	-	-	-	-	3 000 CI/11,3	4 090 CI/11,4	6 370 CI/11,7	8 080 CI/11,3	12 640 CI/11,7	16 370 CI/11,4	24 370 CI/11,3	28 290 CI/11	35 370 CI/11	46 200 CI/11,5				
	10	130 CI/10,3	260 CI/10	320 CI/10	550 CI/10,4	635 CI/10,4	1 120 CI/9,81	2 230 CI/10	2 880 CI/10,2	4 490 CI/10,3	5 860 CI/10,4	8 960 CI/10,3	11 330 CI/10,2	17 880 CI/10	22 690 CI/10,2	31 840 CI/10,2	38 990 CI/10,2	43 850 CI/10			
	9	-	-	-	-	-	-	3 030 CI/9	4 570 CI/9,04	6 290 CI/9,33	9 020 CI/8,93	12 370 CI/9,33	18 260 CI/9,04	23 870 CI/9	31 230 CI/8,75	38 890 CI/8,75	47 170 CI/9,2				
	8	140 CI/7,85	255 CI/8	325 CI/8	560 CI/8,33	650 CI/8,33	1 120 CI/7,85	2 260 CI/8	2 780 CI/8,15	4 520 CI/8,27	5 670 CI/8,31	9 020 CI/8,27	10 930 CI/8,14	16 810 CI/8,21	21 900 CI/8,15	28 310 CI/7,83	35 260 CI/7,83	42 620 CI/8			
	6,3	120 CI/6,53	215 CI/6,57	275 CI/6,57	465 CI/6,27	520 CI/6,27	960 CI/6,53	2 050 CI/6,57	-	3 850 CI/6,27	-	8 020 CI/6,53	-	16 140 CI/6,57	-	27 480 CI/6,27	34 350 CI/6,27	-			
	5	-	-	-	-	-	-	93,9 1 620 CI/5,06	-	185 3 090 CI/4,89▲	-	6 460 CI/5,11	-	12 780 CI/5,06	-	22 050 CI/4,89	27 570 CI/4,89	-	5	2800	560
	4	-	-	-	-	-	-	-	-	-	-	304 5 310 CI/4,1▲	-	10 380 CI/4	-	18 090 CI/3,9	22 610 CI/3,9	-	4	2240	
6 300 000	28	-	-	-	-	-	-	2 890 C2I/28,6	4 430 C2I/28,9	6 130 C2I/28,8	8 720 C2I/29,5	12 260 C2I/30,3	17 690 C2I/29,9	24 180 C2I/30,1	30 650 C2I/28	38 140 C2I/28	48 360 C2I/28,8				
	25	-	-	-	-	-	-	2 780 C2I/24,5	4 400 C2I/25,1	5 790 C2I/26	8 950 C2I/27	12 380 C2I/26,3	17 970 C2I/27,2	24 820 C2I/26,4	31 460 C2I/25,1	39 150 C2I/25,1	49 640 C2I/26				
	25	100 CI/24,1	200 CI/25	250 CI/25	400 CI/26	465 CI/26	760 CI/24,1	1 660 CI/25	-	3 290 CI/24,6	-	6 580 CI/24,6	-	13 460 CI/25,4	-	-	-				
	22,4	-	-	-	-	-	-	3 020 C2I/23,8	4 480 C2I/23,8	6 410 C2I/23,7	9 100 C2I/22,4	12 680 C2I/23	18 300 C2I/23,6	25 260 C2I/23,8	32 030 C2I/23	39 870 C2I/23	50 530 C2I/23,7				
	20	-	-	-	-	-	-	2 710 C2I/20,4	4 600 C2I/20,6	6 040 C2I/21,4	9 330 C2I/20,5	11 260 C2I/19,9	18 760 C2I/21,5	23 190 C2I/20,8	32 840 C2I/20,6	40 770 C2I/20,6	47 570 C2I/21,4				
	20	105 CI/19,3	195 CI/20	240 CI/20	420 CI/20,8	495 CI/20,8	870 CI/19,3	1 730 CI/20	2 490 CI/20	3 770 CI/19,7	4 980 CI/20,3	7 750 CI/19,7	9 960 CI/20,3	15 510 CI/20,3	19 670 CI/20	25 430 CI/19,7	30 370 CI/19,7	38 800 CI/20,3			
	18	-	-	-	-	-	-	2 590 CI/18	4 080 CI/18	5 370 CI/18,7	8 120 CI/18	10 640 CI/18,7	16 150 CI/17,9	20 550 CI/18	24 840 CI/18	31 360 CI/18	41 660 CI/18,4				
	16	110 CI/15,2	210 CI/15,8	255 CI/15,8	440 CI/16,4	515 CI/16,4	910 CI/15,2	1 810 CI/15,8	2 640 CI/15,8	3 960 CI/15,5	5 590 CI/16	8 130 CI/15,5	11 110 CI/16	16 260 CI/16	22 260 CI/15,8	26 490 CI/16,3	33 040 CI/16,3	42 410 CI/16			
	14	-	-	-	-	-	-	2 830 CI/14,2	4 430 CI/14,2	5 880 CI/14,7	9 060 CI/14,2	11 580 CI/14,7	18 110 CI/14,1	22 320 CI/14,2	29 040 CI/14,2	34 460 CI/14,2	45 280 CI/14,5				
	12,5	130 CI/12,4	245 CI/12,6	305 CI/12,6	540 CI/13,1	625 CI/13,1	1 060 CI/12,4	2 200 CI/12,6	2 640 CI/12,9	4 680 CI/13	5 370 CI/13,1	9 360 CI/13	10 370 CI/12,8	18 110 CI/12,6	20 760 CI/12,9	28 080 CI/12,8	34 380 CI/12,8	40 420 CI/12,6			
	11,2	-	-	-	-	-	-	-	3 080 CI/11,3	4 200 CI/11,4	6 550 CI/11,7	8 310 CI/11,3	12 980 CI/11,7	16 810 CI/11,4	25 040 CI/11,3	29 070 CI/11	36 330 CI/11	47 460 CI/11,5			

For n_1 , lower than 560 min⁻¹ see page 195.

▲ Possible forced lubrication with heat exchanger: consult us.

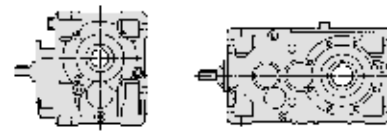
Bevel helical gear reducer selection tables



$n_{N2} \cdot L_h$ min ⁻¹ · h	i_N	P_{N2} kW M_{N2} N m ... / i																i_N	n_1 min ⁻¹	n_{N2} min ⁻¹		
		50	63	64	80	81	100	125	140	160	180	200	225	250	280	320	321				360	
6 300 000	10	130 CI/10,3	265 CI/10	320 CI/10	555 CI/10,4	645 CI/10,4	1 130 CI/9,81	2 260 CI/10	2 920 CI/10,2	4 550 CI/10,3	5 940 CI/10,4	9 080 CI/10,3	11 480 CI/10,2	18 130 CI/10	22 990 CI/10,2	32 270 CI/10,2	39 520 CI/10,2	44 450 CI/10				
	9	-	-	-	-	-	-	3 070 CI/9	4 620 CI/9,04	6 370 CI/9,33	9 130 CI/8,93	12 530 CI/9,33	18 490 CI/9,04	24 170 CI/9	31 630 CI/8,75	39 380 CI/8,75	47 760 CI/9,2					
	8	140 CI/7,85	260 CI/8	330 CI/8	570 CI/8,33	655 CI/8,33	1 140 CI/7,85	2 290 CI/8	2 820 CI/8,15	4 580 CI/8,27	5 750 CI/8,31	9 150 CI/8,27	11 090 CI/8,14	17 040 CI/8,21	22 210 CI/8,15	28 710 CI/7,83	35 760 CI/7,83	43 230 CI/8				
	6,3	125 CI/6,53	220 CI/6,57	280 CI/6,57	475 CI/6,27	530 CI/6,27	975 CI/6,53	2 080 CI/6,57	-	3 900 CI/6,27	-	8 140 CI/6,53	-	16 370 CI/6,57	-	27 870 CI/6,27	34 840 CI/6,27	-				
	5	-	-	-	-	-	-	85 1 640 CI/5,06	-	168 3 130 CI/4,89	-	-	6 540 CI/5,11	-	12 950 CI/5,06	-	22 350 CI/4,89	27 940 CI/4,89	-	5	2500	500
	4	-	-	-	-	-	-	-	-	-	-	-	275 5 380 CI/4,1	-	-	10 520 CI/4	-	18 340 CI/3,9	22 920 CI/3,9	-	4	2000
5 600 000	31,5	-	-	-	-	-	-	2 810 C2I/32	5 060 C2I/33,1	5 960 C2I/33,2	9 280 C2I/34,2	11 920 C2I/33,7	19 570 C2I/33,1	23 500 C2I/33,7	30 650 C2I/31,3	38 140 C2I/31,3	48 360 C2I/32,5					
	31,5	125 ICI/32,1	185 ICI/33	220 ICI/33	410 ICI/31,4	450 ICI/31,4	865 ICI/32,8	1 750 ICI/32,4	-	3 700 ICI/31,4	-	7 600 ICI/32,7	-	-	-	-	-					
	31,5	-	175 CI/31,3	205 CI/31,3	355 CI/32,5	435 CI/32,5	665 CI/30,1	1 330 CI/31,3	-	2 630 CI/30,8	-	4 600 CI/30,8	-	9 490 CI/31,7	-	-	-					
	28	-	-	-	-	-	-	2 970 C2I/28,6	4 580 C2I/28,9	6 290 C2I/28,8	8 950 C2I/29,5	12 580 C2I/30,3	18 300 C2I/29,9	24 820 C2I/30,1	31 460 C2I/28	39 150 C2I/28	49 640 C2I/28,8					
	25	-	-	-	-	-	-	2 860 C2I/24,5	4 530 C2I/25,1	5 950 C2I/26	9 190 C2I/27	12 720 C2I/26,3	18 460 C2I/27,2	25 500 C2I/26,4	32 320 C2I/25,1	40 230 C2I/25,1	51 000 C2I/26					
	25	105 CI/24,1	205 CI/25	255 CI/25	410 CI/26	480 CI/26	780 CI/24,1	1 710 CI/25	-	3 380 CI/24,6	-	6 760 CI/24,6	-	13 830 CI/25,4	-	-	-					
	22,4	-	-	-	-	-	-	3 100 C2I/23,8	4 600 C2I/23,8	6 570 C2I/23,7	9 330 C2I/22,4	13 000 C2I/23	18 760 C2I/23,6	25 900 C2I/23,8	32 840 C2I/23	40 890 C2I/23	51 810 C2I/23,7					
	20	-	-	-	-	-	-	2 780 C2I/20,4	4 730 C2I/20,6	6 210 C2I/21,4	9 590 C2I/20,5	11 580 C2I/19,9	19 300 C2I/21,5	23 850 C2I/20,8	33 780 C2I/20,6	41 930 C2I/20,6	48 930 C2I/21,4					
	20	110 CI/19,3	200 CI/20	250 CI/20	435 CI/20,8	510 CI/20,8	890 CI/19,3	1 780 CI/20	2 560 CI/20	3 880 CI/19,7	5 120 CI/20,3	7 980 CI/19,7	10 240 CI/20,3	15 950 CI/20,3	20 230 CI/20	26 150 CI/19,7	31 230 CI/19,7	39 910 CI/20,3				
	18	-	-	-	-	-	-	2 670 CI/18	4 210 CI/18	5 540 CI/18,7	8 380 CI/18	10 980 CI/18,7	16 670 CI/17,9	21 210 CI/18	25 640 CI/18	32 380 CI/18	43 010 CI/18,4					
	16	115 CI/15,2	215 CI/15,8	260 CI/15,8	455 CI/16,4	535 CI/16,4	935 CI/15,2	1 860 CI/15,8	2 710 CI/15,8	4 060 CI/15,5	5 740 CI/16	8 350 CI/15,5	11 420 CI/16	16 700 CI/16	22 870 CI/15,8	27 220 CI/16,3	33 940 CI/16,3	43 570 CI/16				
	14	-	-	-	-	-	-	2 910 CI/14,2	4 550 CI/14,2	6 040 CI/14,7	9 300 CI/14,2	11 880 CI/14,7	18 600 CI/14,1	22 920 CI/14,2	29 810 CI/14,2	35 370 CI/14,2	46 480 CI/14,5					

For n_1 lower than 560 min⁻¹ see page 195.

Bevel helical gear reducer selection tables

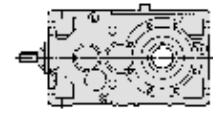
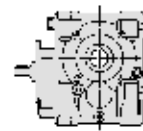


$n_{N2} \cdot L_h$ min ⁻¹ · h	i_N	P_{N2} kW																i_N	n_1	n_{N2} min ⁻¹	
		M_{N2} N m																			
		50	63	64	80	81	100	125	140	160	180	200	225	250	280	320	321				360
5 600 000	12,5	135 CI/12,4	250 CI/12,6	315 CI/12,6	555 CI/13,1	640 CI/13,1	1 090 CI/12,4	2 260 CI/12,6	2 710 CI/12,9	4 810 CI/13	5 520 CI/13,1	9 610 CI/13	10 650 CI/12,8	18 600 CI/12,6	21 330 CI/12,9	28 850 CI/12,8	35 330 CI/12,8	41 530 CI/12,6			
	11,2	-	-	-	-	-	-	-	3 120 CI/11,3	4 260 CI/11,4	6 640 CI/11,7	8 420 CI/11,3	13 160 CI/11,7	17 040 CI/11,4	25 380 CI/11,3	29 460 CI/11	36 830 CI/11	48 110 CI/11,5			
	10	130 CI/10,3	265 CI/10	325 CI/10	565 CI/10,4	650 CI/10,4	1 150 CI/9,81	2 290 CI/10	2 950 CI/10,2	4 610 CI/10,3	6 020 CI/10,4	9 190 CI/10,3	11 630 CI/10,2	18 360 CI/10	23 290 CI/10,2	32 680 CI/10,2	40 020 CI/10,2	45 010 CI/10			
	9	-	-	-	-	-	-	-	3 110 CI/9	4 690 CI/9,04	6 460 CI/9,33	9 260 CI/8,93	12 710 CI/9,33	18 750 CI/9,04	24 510 CI/9	32 070 CI/8,75	39 940 CI/8,75	48 440 CI/9,2			
	8	140 CI/7,85	265 CI/8	335 CI/8	575 CI/8,33	665 CI/8,33	1 150 CI/7,85	2 330 CI/8	2 860 CI/8,15	4 650 CI/8,27	5 830 CI/8,31	9 280 CI/8,27	11 250 CI/8,14	17 290 CI/8,21	22 520 CI/8,15	29 130 CI/7,83	36 270 CI/7,83	43 850 CI/8			
	6,3	5,62 125 CI/6,53	9,92 220 CI/6,57	12,6 280 CI/6,57	22,5 480 CI/6,27	25,1 535 CI/6,27	44,3 985 CI/6,53	93,9 2 100 CI/6,57	-	185 3 960 CI/6,27 ▲	-	8 250 CI/6,53	-	16 600 CI/6,57	-	28 270 CI/6,27	35 330 CI/6,27	-	6,3	2800	450
	5	-	-	-	-	-	-	77,1 1 660 CI/5,06	-	152 3 170 CI/4,89	-	304 6 630 CI/5,11 ▲	-	13 120 CI/5,06	-	22 650 CI/4,89	28 310 CI/4,89	-	5	2240	
	4	-	-	-	-	-	-	-	-	-	-	251 5 450 CI/4,1	-	502 10 650 CI/4 ▲	-	18 570 CI/3,9	23 210 CI/3,9	-	4	1800	
5 000 000	35,5	-	-	-	-	-	-	2 890 C2I/37,5	4 290 C2I/37,5	6 130 C2I/37,3	8 720 C2I/35,3	12 020 C2I/36,2	17 500 C2I/37,2	24 180 C2I/37,5	30 650 C2I/36,3	38 140 C2I/36,3	48 360 C2I/37,3				
	31,5	-	-	-	-	-	-	2 880 C2I/32	5 240 C2I/33,1	6 120 C2I/33,2	9 600 C2I/34,2	12 240 C2I/33,7	20 240 C2I/33,1	24 120 C2I/33,7	31 460 C2I/31,3	39 150 C2I/31,3	49 640 C2I/32,5				
	31,5	130 ICI/32,1	190 ICI/33	225 ICI/33	425 ICI/31,4	465 ICI/31,4	885 ICI/32,8	1 800 ICI/32,4	-	3 800 ICI/31,4	-	7 800 ICI/32,7	-	-	-	-	-				
	31,5	-	180 CI/31,3	205 CI/31,3	365 CI/32,5	450 CI/32,5	690 CI/30,1	1 380 CI/31,3	-	2 720 CI/30,8	-	4 720 CI/30,8	-	9 740 CI/31,7	-	-	-				
	28	-	-	-	-	-	-	-	3 050 C2I/28,6	4 730 C2I/28,9	6 460 C2I/28,8	9 190 C2I/29,5	12 930 C2I/30,3	18 910 C2I/29,9	25 500 C2I/30,1	32 320 C2I/28	40 230 C2I/28	51 000 C2I/28,8			
	25	-	-	-	-	-	-	-	2 930 C2I/24,5	4 640 C2I/25,1	6 100 C2I/26	9 430 C2I/27	13 040 C2I/26,3	18 930 C2I/27,2	26 150 C2I/26,4	33 150 C2I/25,1	41 250 C2I/25,1	52 300 C2I/26			
	25	105 CI/24,1	215 CI/25	265 CI/25	425 CI/26	495 CI/26	800 CI/24,1	1 750 CI/25	-	3 460 CI/24,6	-	6 930 CI/24,6	-	14 180 CI/25,4	-	-	-				
	22,4	-	-	-	-	-	-	-	3 190 C2I/23,8	4 730 C2I/23,8	6 760 C2I/23,7	9 590 C2I/22,4	13 370 C2I/23	19 300 C2I/23,6	26 640 C2I/23,8	33 780 C2I/23	42 050 C2I/23	53 290 C2I/23,7			
	20	-	-	-	-	-	-	-	2 870 C2I/20,4	4 880 C2I/20,6	6 410 C2I/21,4	9 900 C2I/20,5	11 960 C2I/19,9	19 920 C2I/21,5	24 630 C2I/20,8	34 870 C2I/20,6	43 290 C2I/20,6	50 510 C2I/21,4			
	20	110 CI/19,3	210 CI/20	255 CI/20	450 CI/20,8	530 CI/20,8	920 CI/19,3	1 840 CI/20	2 640 CI/20	4 010 CI/19,7	5 290 CI/20,3	8 230 CI/19,7	10 570 CI/20,3	16 470 CI/20,3	20 890 CI/20	27 000 CI/19,7	32 240 CI/19,7	41 200 CI/20,3			

For n_1 , lower than 560 min⁻¹ see page 195.

▲ Possible forced lubrication with heat exchanger: consult us.

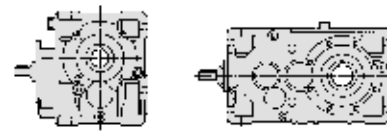
Bevel helical gear reducer selection tables



$n_{N2} \cdot L_h$ min ⁻¹ · h	i_N	P_{N2} kW M_{N2} N m ... // i																i_N	n_1 min ⁻¹	n_{N2} min ⁻¹	
		50	63	64	80	81	100	125	140	160	180	200	225	250	280	320	321				360
5 000 000	18	-	-	-	-	-	-	-	2 750 CI/18	4 320 CI/18	5 700 CI/18,7	8 610 CI/18	11 280 CI/18,7	17 130 CI/17,9	21 790 CI/18	26 350 CI/18	33 270 CI/18	44 190 CI/18,4			
	16	115 CI/15,2	220 CI/15,8	270 CI/15,8	470 CI/16,4	555 CI/16,4	960 CI/15,2	1 910 CI/15,8	2 780 CI/15,8	4 170 CI/15,5	5 900 CI/16	8 570 CI/15,5	11 720 CI/16	17 150 CI/16	23 480 CI/15,8	27 940 CI/16,3	34 850 CI/16,3	44 720 CI/16			
	14	-	-	-	-	-	-	-	2 990 CI/14,2	4 670 CI/14,2	6 200 CI/14,7	9 550 CI/14,2	12 210 CI/14,7	19 100 CI/14,1	23 540 CI/14,2	30 630 CI/14,2	36 340 CI/14,2	47 750 CI/14,5			
	12,5	140 CI/12,4	255 CI/12,6	320 CI/12,6	560 CI/13,1	650 CI/13,1	1 110 CI/12,4	2 290 CI/12,6	2 750 CI/12,9	4 870 CI/13	5 590 CI/13,1	9 740 CI/13	10 800 CI/12,8	18 860 CI/12,6	21 620 CI/12,9	29 250 CI/12,8	35 810 CI/12,8	42 090 CI/12,6			
	11,2	-	-	-	-	-	-	-	3 160 CI/11,3	4 310 CI/11,4	6 720 CI/11,7	8 520 CI/11,3	13 330 CI/11,7	17 260 CI/11,4	25 700 CI/11,3	29 840 CI/11	37 300 CI/11	48 720 CI/11,5			
	10	135 CI/10,3	270 CI/10	330 CI/10	570 CI/10,4	660 CI/10,4	1 160 CI/9,81	2 320 CI/10	3 000 CI/10,2	4 670 CI/10,3	6 110 CI/10,4	9 320 CI/10,3	11 790 CI/10,2	18 620 CI/10	23 620 CI/10,2	33 150 CI/10,2	40 590 CI/10,2	45 650 CI/10			
	9	-	-	-	-	-	-	-	3 160 CI/9	4 760 CI/9,04	6 550 CI/9,33	9 400 CI/8,93	12 890 CI/9,33	19 020 CI/9,04	24 860 CI/9	32 540 CI/8,75	40 520 CI/8,75	49 140 CI/9,2			
	8	145 CI/7,85	265 CI/8	340 CI/8	585 CI/8,33	675 CI/8,33	1 170 CI/7,85	2 360 CI/8	2 900 CI/8,15	4 710 CI/8,27	5 910 CI/8,31	9 410 CI/8,27	11 410 CI/8,14	17 540 CI/8,21	22 850 CI/8,15	29 550 CI/7,83	36 790 CI/7,83	44 480 CI/8			
	6,3	5,09 125 CI/6,53	8,98 225 CI/6,57	11,4 285 CI/6,57	20,3 485 CI/6,27	22,7 545 CI/6,27	40,1 1000 CI/6,53	85 2 130 CI/6,57	-	168 4 010 CI/6,27	-	8 360 CI/6,53	-	16 830 CI/6,57	-	28 650 CI/6,27	35 820 CI/6,27	-	6,3	2500	400
	5	-	-	-	-	-	-	69,8 1 690 CI/5,06	-	138 3 210 CI/4,89	-	275 6 720 CI/5,11	-	452 13 300 CI/5,06	-	22 960 CI/4,89	28 700 CI/4,89	-	5	2000	
4	-	-	-	-	-	-	-	-	-	-	-	226 5 530 CI/4,1	-	452 10 800 CI/4	-	18 830 CI/3,9	23 540 CI/3,9	-	4	1600	
4 500 000	40	-	-	-	-	-	-	-	2 780 C2I/38,7	4 290 C2I/39,5	5 790 C2I/41	8 720 C2I/42,6	12 260 C2I/41,4	17 500 C2I/42,8	24 180 C2I/41,6	30 650 C2I/39,5	38 140 C2I/39,5	48 360 C2I/41			
	40	135 ICI/38,6	215 ICI/40,1	265 ICI/40,1	455 ICI/41,8	530 ICI/41,8	960 ICI/39,4	1 910 ICI/39,4	2 210 ICI/40,2	4 190 ICI/41,4	4 900 ICI/41,6	8 510 ICI/41,4	-	-	-	-	-				
	35,5	-	-	-	-	-	-	-	2 970 C2I/37,5	4 400 C2I/37,5	6 290 C2I/37,3	8 950 C2I/35,3	12 340 C2I/36,2	17 970 C2I/37,2	24 820 C2I/37,5	31 460 C2I/36,3	39 150 C2I/36,3	49 640 C2I/37,3			
	31,5	-	-	-	-	-	-	-	2 960 C2I/32	5 410 C2I/33,1	6 290 C2I/33,2	9 920 C2I/34,2	12 570 C2I/33,7	20 920 C2I/33,1	24 780 C2I/33,7	32 320 C2I/31,3	40 230 C2I/31,3	51 000 C2I/32,5			
	31,5	135 ICI/32,1	195 ICI/33	230 ICI/33	435 ICI/31,4	475 ICI/31,4	910 ICI/32,8	1 850 ICI/32,4	-	3 900 ICI/31,4	-	8 020 ICI/32,7	-	-	-	-	-	-			
	31,5	-	180 CI/31,3	210 CI/31,3	375 CI/32,5	460 CI/32,5	710 CI/30,1	1 420 CI/31,3	-	2 810 CI/30,8	-	4 850 CI/30,8	-	10 010 CI/31,7	-	-	-	-			
	28	-	-	-	-	-	-	-	3 130 C2I/28,6	4 900 C2I/28,9	6 630 C2I/28,8	9 430 C2I/29,5	13 260 C2I/30,3	19 560 C2I/29,9	26 150 C2I/30,1	33 150 C2I/28	41 250 C2I/28	52 300 C2I/28,8			

For n_1 lower than 560 min⁻¹ see page 195.

Bevel helical gear reducer selection tables

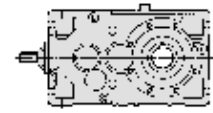
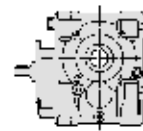


$n_{N2} \cdot L_h$ min ⁻¹ · h	i_N	P_{N2} kW																i_N	n_1 min ⁻¹	n_{N2} min ⁻¹	
		M_{N2} N m																			
		50	63	64	80	81	100	125	140	160	180	200	225	250	280	320	321				360
4 500 000	25	-	-	-	-	-	-	3 020 C2I/24,5	4 770 C2I/25,1	6 280 C2I/26	9 700 C2I/27	13 410 C2I/26,3	19 470 C2I/27,2	26 890 C2I/26,4	34 090 C2I/25,1	42 420 C2I/25,1	53 790 C2I/26				
	25	110 CI/24,1	220 CI/25	275 CI/25	435 CI/26	515 CI/26	825 CI/24,1	1 800 CI/25	-	3 560 CI/24,6	-	7 130 CI/24,6	-	14 590 CI/25,4	-	-	-				
	22,4	-	-	-	-	-	-	-	3 290 C2I/23,8	4 880 C2I/23,8	6 970 C2I/23,7	9 900 C2I/22,4	13 800 C2I/23	19 920 C2I/23,6	27 500 C2I/23,8	34 870 C2I/23	43 410 C2I/23	55 010 C2I/23,7			
	20	-	-	-	-	-	-	-	2 950 C2I/20,4	5 020 C2I/20,6	6 590 C2I/21,4	10 180 C2I/20,5	12 280 C2I/19,9	20 470 C2I/21,5	25 300 C2I/20,8	35 830 C2I/20,6	44 470 C2I/20,6	51 890 C2I/21,4			
	20	115 CI/19,3	215 CI/20	265 CI/20	465 CI/20,8	550 CI/20,8	945 CI/19,3	1 890 CI/20	2 720 CI/20	4 120 CI/19,7	5 430 CI/20,3	8 460 CI/19,7	10 860 CI/20,3	16 920 CI/20,3	21 460 CI/20	27 740 CI/19,7	33 130 CI/19,7	42 330 CI/20,3			
	18	-	-	-	-	-	-	-	2 820 CI/18	4 440 CI/18	5 850 CI/18,7	8 840 CI/18	11 580 CI/18,7	17 580 CI/17,9	22 370 CI/18	27 050 CI/18	34 150 CI/18	45 370 CI/18,4			
	16	120 CI/15,2	225 CI/15,8	275 CI/15,8	490 CI/16,4	575 CI/16,4	985 CI/15,2	1 970 CI/15,8	2 860 CI/15,8	4 290 CI/15,5	6 060 CI/16	8 810 CI/15,5	12 040 CI/16	17 620 CI/16	24 120 CI/15,8	28 710 CI/16,3	35 800 CI/16,3	45 950 CI/16			
	14	-	-	-	-	-	-	-	3 030 CI/14,2	4 740 CI/14,2	6 290 CI/14,7	9 680 CI/14,2	12 370 CI/14,7	19 370 CI/14,1	23 870 CI/14,2	31 050 CI/14,2	36 840 CI/14,2	48 400 CI/14,5			
	12,5	140 CI/12,4	255 CI/12,6	325 CI/12,6	570 CI/13,1	655 CI/13,1	1 120 CI/12,4	2 320 CI/12,6	2 780 CI/12,9	4 930 CI/13	5 670 CI/13,1	9 870 CI/13	10 930 CI/12,8	19 100 CI/12,6	21 900 CI/12,9	29 620 CI/12,8	36 260 CI/12,8	42 620 CI/12,6			
	11,2	-	-	-	-	-	-	-	3 210 CI/11,3	4 380 CI/11,4	6 810 CI/11,7	8 650 CI/11,3	13 520 CI/11,7	17 500 CI/11,4	26 070 CI/11,3	30 260 CI/11	37 820 CI/11	49 410 CI/11,5			
	10	135 CI/10,3	275 CI/10	335 CI/10	580 CI/10,4	670 CI/10,4	1 180 CI/9,81	2 360 CI/10	3 040 CI/10,2	4 740 CI/10,3	6 190 CI/10,4	9 460 CI/10,3	11 960 CI/10,2	18 880 CI/10	23 950 CI/10,2	33 620 CI/10,2	41 170 CI/10,2	46 300 CI/10			
	9	-	-	-	-	-	-	-	3 200 CI/9	4 820 CI/9,04	6 640 CI/9,33	9 530 CI/8,93	13 080 CI/9,33	19 300 CI/9,04	25 220 CI/9	33 000 CI/8,75	41 100 CI/8,75	49 840 CI/9,2			
	8	5,45 145 CI/7,85	9,92 270 CI/8	12,6 345 CI/8	20,8 590 CI/8,33	24,1 685 CI/8,33	44,3 1 190 CI/7,85	87,8 2 390 CI/8	106 2 940 CI/8,15	170 4 780 CI/8,27▲	212 6 000 CI/8,31▲	- 9 550 CI/8,27	- 11 570 CI/8,14	- 17 790 CI/8,21	- 23 170 CI/8,15	- 29 960 CI/7,83	- 37 310 CI/7,83	- 45 110 CI/8	8	2800	355
	6,3	4,62 130 CI/6,53	8,15 230 CI/6,57	10,3 290 CI/6,57	18,5 495 CI/6,27	20,6 550 CI/6,27	36,4 1 010 CI/6,53	77,1 2 160 CI/6,57	- 63,6 1 710 CI/5,06	152 4 060 CI/6,27	- 125 3 250 CI/4,89	304 8 470 CI/6,53▲	- - 6 810 CI/5,11	- - 13 470 CI/5,06▲	- - 17 050 CI/6,57	- - 29 030 CI/6,27	- - 36 290 CI/6,27	- - 41 100 CI/6,27	6,3	2240	
5	-	-	-	-	-	-	-	-	-	-	251 6 810 CI/5,11	-	502 13 470 CI/5,06▲	-	23 250 CI/4,89	29 060 CI/4,89	-	5	1800		
4	-	-	-	-	-	-	-	-	-	-	201 5 620 CI/4,1	-	402 10 980 CI/4	-	718 19 130 CI/3,9▲	898 23 920 CI/3,9▲	-	4	1400		
4 000 000	45	-	-	-	-	-	-	2 890 C2I/45,1	4 290 C2I/45,6	6 130 C2I/45,4	8 720 C2I/46,6	12 260 C2I/47,8	17 500 C2I/47,1	24 180 C2I/47,5	30 650 C2I/44,2	38 140 C2I/44,2	48 360 C2I/45,4				
	40	-	-	-	-	-	-	2 860 C2I/38,7	4 400 C2I/39,5	5 940 C2I/41	8 950 C2I/42,6	12 580 C2I/41,4	17 970 C2I/42,8	24 820 C2I/41,6	31 460 C2I/39,5	39 150 C2I/39,5	49 640 C2I/41				

For n_1 , lower than 560 min⁻¹ see page 195.

▲ Possible forced lubrication with heat exchanger: consult us.

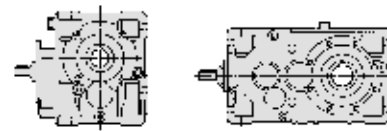
Bevel helical gear reducer selection tables



$n_{N2} \cdot L_h$ min ⁻¹ · h	i_N	P_{N2} kW																i_N	n_1	n_{N2} min ⁻¹			
		M_{N2} N m																					
		... / i																					
		50	63	64	80	81	100	125	140	160	180	200	225	250	280	320	321	360					
4 000 000	40	140 CI/38,6	220 CI/40,1	275 CI/40,1	470 CI/41,8	540 CI/41,8	990 CI/39,4	1 960 CI/39,4	2 270 CI/40,2	4 300 CI/41,4	5 030 CI/41,6	8 740 CI/41,4	-	-	-	-	-	-					
	35,5	-	-	-	-	-	-	-	3 050 C2I/37,5	4 530 C2I/37,5	6 460 C2I/37,3	9 190 C2I/35,3	12 680 C2I/36,2	18 460 C2I/37,2	25 500 C2I/37,5	32 320 C2I/36,3	40 230 C2I/36,3	51 000 C2I/37,3					
	31,5	-	-	-	-	-	-	-	3 030 C2I/32	5 600 C2I/33,1	6 450 C2I/33,2	10 270 C2I/34,2	12 890 C2I/33,7	21 650 C2I/33,1	25 410 C2I/33,7	33 150 C2I/31,3	41 250 C2I/31,3	52 300 C2I/32,5					
	31,5	135 CI/32,1	200 CI/33	240 CI/33	445 CI/31,4	490 CI/31,4	935 CI/32,8	1 890 CI/32,4	-	4 000 CI/31,4	-	8 220 CI/32,7	-	-	-	-	-	-	-				
	31,5	-	185 CI/31,3	220 CI/31,3	385 CI/32,5	475 CI/32,5	735 CI/30,1	1 470 CI/31,3	-	2 910 CI/30,8	-	4 980 CI/30,8	-	10 260 CI/31,7	-	-	-	-	-				
	28	-	-	-	-	-	-	-	3 220 C2I/28,6	5 050 C2I/28,9	6 820 C2I/28,8	9 700 C2I/29,5	13 640 C2I/30,3	20 190 C2I/29,9	26 890 C2I/30,1	34 090 C2I/28	42 420 C2I/28	53 790 C2I/28,8					
	25	-	-	-	-	-	-	-	3 120 C2I/24,5	4 930 C2I/25,1	6 480 C2I/26	10 010 C2I/27	13 840 C2I/26,3	20 100 C2I/27,2	27 760 C2I/26,4	35 190 C2I/25,1	43 800 C2I/25,1	55 530 C2I/26					
	25	115 CI/24,1	225 CI/25	280 CI/25	450 CI/26	530 CI/26	850 CI/24,1	1 860 CI/25	-	3 680 CI/24,6	-	7 360 CI/24,6	-	15 060 CI/25,4	-	-	-	-	-				
	22,4	-	-	-	-	-	-	-	3 380 C2I/23,8	5 020 C2I/23,8	7 170 C2I/23,7	10 180 C2I/22,4	14 180 C2I/23	20 470 C2I/23,6	28 250 C2I/23,8	35 830 C2I/23	44 600 C2I/23	56 520 C2I/23,7					
	20	-	-	-	-	-	-	-	3 030 C2I/20,4	5 150 C2I/20,6	6 760 C2I/21,4	10 450 C2I/20,5	12 610 C2I/19,9	21 010 C2I/21,5	25 970 C2I/20,8	36 780 C2I/20,6	45 650 C2I/20,6	53 270 C2I/21,4					
	20	115 CI/19,3	220 CI/20	275 CI/20	485 CI/20,8	570 CI/20,8	970 CI/19,3	1 940 CI/20	2 790 CI/20	4 220 CI/19,7	5 580 CI/20,3	8 680 CI/19,7	11 150 CI/20,3	17 370 CI/20,3	22 030 CI/20	28 470 CI/19,7	34 010 CI/19,7	43 450 CI/20,3					
	18	-	-	-	-	-	-	-	2 900 CI/18	4 560 CI/18	6 010 CI/18,7	9 080 CI/18	11 900 CI/18,7	18 070 CI/17,9	22 980 CI/18	27 790 CI/18	35 080 CI/18	46 610 CI/18,4					
	16	120 CI/15,2	230 CI/15,8	280 CI/15,8	500 CI/16,4	590 CI/16,4	1000 CI/15,2	1 990 CI/15,8	2 900 CI/15,8	4 340 CI/15,5	6 140 CI/16	8 930 CI/15,5	12 200 CI/16	17 860 CI/16	24 450 CI/15,8	29 100 CI/16,3	36 290 CI/16,3	46 580 CI/16					
	14	-	-	-	-	-	-	-	3 070 CI/14,2	4 800 CI/14,2	6 370 CI/14,7	9 810 CI/14,2	12 530 CI/14,7	19 610 CI/14,1	24 170 CI/14,2	31 440 CI/14,2	37 300 CI/14,2	49 020 CI/14,5					
	12,5	140 CI/12,4	260 CI/12,6	330 CI/12,6	575 CI/13,1	665 CI/13,1	1 140 CI/12,4	2 350 CI/12,6	2 820 CI/12,9	5 000 CI/13	5 750 CI/13,1	10 010 CI/13	11 090 CI/12,8	19 370 CI/12,6	22 210 CI/12,9	30 040 CI/12,8	36 770 CI/12,8	43 230 CI/12,6					
	11,2	-	-	-	-	-	-	-	3 260 CI/11,3	4 440 CI/11,4	6 910 CI/11,7	8 770 CI/11,3	13 710 CI/11,7	17 760 CI/11,4	26 440 CI/11,3	30 690 CI/11	38 370 CI/11	50 120 CI/11,5					
10	140 CI/10,3	280 CI/10	340 CI/10	590 CI/10,4	680 CI/10,4	1 200 CI/9,81	2 390 CI/10	3 080 CI/10,2	4 810 CI/10,3	6 280 CI/10,4	9 590 CI/10,3	12 130 CI/10,2	19 160 CI/10	24 300 CI/10,2	34 100 CI/10,2	41 760 CI/10,2	46 970 CI/10						
9	-	-	-	-	-	-	-	106 CI/9	159 CI/9,04	212 CI/9,33 ▲	317 CI/9,33 ▲	-	13 260 CI/9,33	19 570 CI/9,04	25 580 CI/9	33 470 CI/8,75	41 680 CI/8,75	50 550 CI/9,2	9	2800	315		

For n_1 lower than 560 min⁻¹ see page 195.
 ▲ Possible forced lubrication with heat exchanger: consult us.

Bevel helical gear reducer selection tables

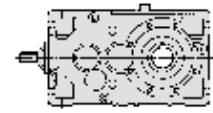
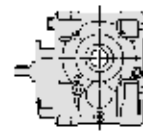


9

$n_{N2} \cdot L_h$ min ⁻¹ · h	i_N	P_{N2} kW																i_N	n_1 min ⁻¹	n_{N2} min ⁻¹	
		M_{N2} N m																			
		50	63	64	80	81	100	125	140	160	180	200	225	250	280	320	321				360
4 000 000	8	4,93 150 CI/7,85	8,98 275 CI/8	11,4 345 CI/8	18,9 600 CI/8,33	21,8 695 CI/8,33	40,1 1 200 CI/7,85	79,4 2 430 CI/8	95,8 2 980 CI/8,15	153 4 850 CI/8,27	192 6 080 CI/8,31	— 9 680 CI/8,27	— 11 730 CI/8,14	— 18 030 CI/8,21	— 23 490 CI/8,15	— 30 370 CI/7,83	— 37 820 CI/7,83	— 45 720 CI/8	8	2500	315
	6,3	4,18 130 CI/6,53	7,38 230 CI/6,57	9,34 295 CI/6,57	16,7 500 CI/6,27	18,7 560 CI/6,27	32,9 1 030 CI/6,53	69,8 2 190 CI/6,57	— 4 120 CI/6,27	138 — —	275 8 590 CI/6,53	— — —	— 17 280 CI/6,57	— — —	— 29 430 CI/6,27	— 36 780 CI/6,27	— — —	6,3	2000		
	5	—	—	—	—	—	—	57,4 1 730 CI/5,06	—	113 3 300 CI/4,89	—	226 6 900 CI/5,11	—	452 13 660 CI/5,06	—	— 23 580 CI/4,89	— 29 470 CI/4,89	—	5	1600	
	4	—	—	—	—	—	—	—	—	—	—	181 5 680 CI/4,1	—	363 11 090 CI/4	—	648 19 320 CI/3,9	810 24 150 CI/3,9	—	4	1250	
3 550 000	50	—	—	—	—	—	—	2 810 C21/50,4	4 830 C21/52,1	5 960 C21/52,4	10 060 C21/53,9	11 920 C21/53,1	18 020 C21/52,1	23 500 C21/53,1	29 760 C21/51,3	36 100 C21/51,3	46 990 C21/50,5				
	50	135 ICI/49	225 ICI/50,9	280 ICI/50,9	425 ICI/53	480 ICI/53	945 ICI/49,9	1 910 ICI/50	2 420 ICI/49,3	4 190 ICI/52,5	5 110 ICI/50,8	8 460 ICI/52,5	—	—	—	—	—				
	45	—	—	—	—	—	—	2 970 C21/45,1	4 400 C21/45,6	6 290 C21/45,4	8 990 C21/46,6	12 580 C21/47,8	17 970 C21/47,1	24 820 C21/47,5	31 460 C21/44,2	39 150 C21/44,2	49 640 C21/45,4				
	40	—	—	—	—	—	—	2 930 C21/38,7	4 530 C21/39,5	6 100 C21/41	9 190 C21/42,6	12 930 C21/41,4	18 460 C21/42,8	25 500 C21/41,6	32 320 C21/39,5	40 230 C21/39,5	51 000 C21/41				
	40	145 ICI/38,6	225 ICI/40,1	280 ICI/40,1	480 ICI/41,8	555 ICI/41,8	1 020 ICI/39,4	2 010 ICI/39,4	2 330 ICI/40,2	4 420 ICI/41,4	5 170 ICI/41,6	8 980 ICI/41,4	—	—	—	—	—				
	35,5	—	—	—	—	—	—	3 130 C21/37,5	4 640 C21/37,5	6 630 C21/37,3	9 430 C21/35,3	13 000 C21/36,2	18 930 C21/37,2	26 150 C21/37,5	33 150 C21/36,3	41 250 C21/36,3	52 300 C21/37,3				
	31,5	—	—	—	—	—	—	3 120 C21/32	5 780 C21/33,1	6 630 C21/33,2	10 600 C21/34,2	13 260 C21/33,7	22 340 C21/33,1	26 140 C21/33,7	34 090 C21/31,3	42 420 C21/31,3	53 790 C21/32,5				
	31,5	140 ICI/32,1	205 ICI/33	245 ICI/33	460 ICI/31,4	505 ICI/31,4	960 ICI/32,8	1 950 ICI/32,4	—	4 110 ICI/31,4	—	8 460 ICI/32,7	—	—	—	—	—				
	31,5	—	190 CI/31,3	225 CI/31,3	400 CI/32,5	485 CI/32,5	760 CI/30,1	1 520 CI/31,3	—	3 000 CI/30,8	—	5 120 CI/30,8	—	10 550 CI/31,7	—	—	—				
	28	—	—	—	—	—	—	—	3 320 C21/28,6	5 240 C21/28,9	7 040 C21/28,8	10 010 C21/29,5	14 080 C21/30,3	20 920 C21/29,9	27 760 C21/30,1	35 190 C21/28	43 800 C21/28	55 530 C21/28,8			
	25	—	—	—	—	—	—	—	3 200 C21/24,5	5 060 C21/25,1	6 660 C21/26	10 290 C21/27	14 220 C21/26,3	20 650 C21/27,2	28 530 C21/26,4	36 160 C21/25,1	45 000 C21/25,1	57 050 C21/26			
	25	120 CI/24,1	225 CI/25	285 CI/25	470 CI/26	550 CI/26	875 CI/24,1	1 910 CI/25	—	3 780 CI/24,6	—	7 560 CI/24,6	—	15 470 CI/25,4	—	—	—				
	22,4	—	—	—	—	—	—	—	3 470 C21/23,8	5 150 C21/23,8	7 360 C21/23,7	10 450 C21/22,4	14 560 C21/23	21 010 C21/23,6	29 000 C21/23,8	36 780 C21/23	45 790 C21/23	58 020 C21/23,7			
	20	—	—	—	—	—	—	—	3 110 C21/20,4	5 290 C21/20,6	6 950 C21/21,4	10 730 C21/20,5	12 960 C21/19,9	21 590 C21/21,5	26 680 C21/20,8	37 790 C21/20,6	46 900 C21/20,6	54 730 C21/21,4			

For n_1 lower than 560 min⁻¹ see page 195.

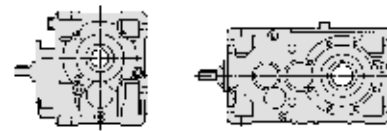
Bevel helical gear reducer selection tables



$n_{N2} \cdot L_h$ min ⁻¹ · h	i_N	P_{N2} kW M_{N2} N m ... / i																i_N	n_1 min ⁻¹	n_{N2}	
		50	63	64	80	81	100	125	140	160	180	200	225	250	280	320	321				360
3 550 000	20	120 CI/19,3	225 CI/20	285 CI/20	500 CI/20,8	590 CI/20,8	1000 CI/19,3	1 990 CI/20	2 870 CI/20	4 340 CI/19,7	5 730 CI/20,3	8 920 CI/19,7	11 460 CI/20,3	17 840 CI/20,3	22 630 CI/20	29 250 CI/19,7	34 940 CI/19,7	44 650 CI/20,3			
	18	-	-	-	-	-	-	-	2 940 CI/18	4 620 CI/18	6 090 CI/18,7	9 210 CI/18	12 060 CI/18,7	18 310 CI/17,9	23 300 CI/18	28 170 CI/18	35 560 CI/18	47 240 CI/18,4			
	16	125 CI/15,2	230 CI/15,8	285 CI/15,8	500 CI/16,4	590 CI/16,4	1 010 CI/15,2	2 020 CI/15,8	2 930 CI/15,8	4 400 CI/15,5	6 220 CI/16	9 040 CI/15,5	12 360 CI/16	18 080 CI/16	24 760 CI/15,8	29 470 CI/16,3	36 750 CI/16,3	47 170 CI/16			
	14	-	-	-	-	-	-	-	3 110 CI/14,2	4 860 CI/14,2	6 460 CI/14,7	9 940 CI/14,2	12 710 CI/14,7	19 890 CI/14,1	24 510 CI/14,2	31 880 CI/14,2	37 830 CI/14,2	49 710 CI/14,5			
	12,5	145 CI/12,4	265 CI/12,6	335 CI/12,6	585 CI/13,1	675 CI/13,1	1 150 CI/12,4	2 390 CI/12,6	2 860 CI/12,9	5 070 CI/13	5 830 CI/13,1	10 150 CI/13	11 250 CI/12,8	19 640 CI/12,6	22 520 CI/12,9	30 470 CI/12,8	37 300 CI/12,8	43 850 CI/12,6			
	11,2	-	-	-	-	-	-	-	3 300 CI/11,3	4 500 CI/11,4	7 010 CI/11,7	8 900 CI/11,3	13 910 CI/11,7	18 010 CI/11,4	26 820 CI/11,3	31 130 CI/11	38 920 CI/11	50 840 CI/11,5			
	10	3,98 140 CI/10,3	8,28 280 CI/10	10,1 345 CI/10	16,8 595 CI/10,4	19,4 690 CI/10,4	36,2 1 210 CI/9,81	71,1 2 420 CI/10	89,9 3 130 CI/10,2	138 4 880 CI/10,3	180 6 370 CI/10,4	276 9 730 CI/10,3▲	354 12 300 CI/10,2▲	- 19 430 CI/10	- 24 640 CI/10,2	- 34 590 CI/10,2	- 42 350 CI/10,2	- 47 630 CI/10	10	2800	280
	9	-	-	-	-	-	-	-	95,8 3 290 CI/9	144 4 960 CI/9,04	192 6 830 CI/9,33	287 9 800 CI/8,93	- 13 440 CI/9,33	- 19 840 CI/9,04	- 25 920 CI/9	- 33 930 CI/8,75	- 42 250 CI/8,75	- 51 240 CI/9,2	9	2500	
	8	4,48 150 CI/7,85	8,15 280 CI/8	10,3 350 CI/8	17,1 610 CI/8,33	19,8 705 CI/8,33	36,4 1 220 CI/7,85	72,1 2 460 CI/8	86,9 3 020 CI/8,15	139 4 910 CI/8,27	174 6 160 CI/8,31	278 9 800 CI/8,27▲	342 11 880 CI/8,14▲	522 18 270 CI/8,21▲	- 23 800 CI/8,15	- 30 770 CI/7,83	- 38 320 CI/7,83	- 46 330 CI/8	8	2240	
	6,3	3,81 130 CI/6,53	6,72 235 CI/6,57	8,51 295 CI/6,57	15,2 505 CI/6,27	17 565 CI/6,27	30 1 040 CI/6,53	63,6 2 220 CI/6,57	- -	125 4 170 CI/6,27	- -	251 8 700 CI/6,53	- -	502 17 500 CI/6,57▲	- 29 800 CI/6,27	- 37 250 CI/6,27	- -	- -	6,3	1800	
5	-	-	-	-	-	-	51 1 760 CI/5,06	- -	101 3 350 CI/4,89	- -	201 7 010 CI/5,11	- -	402 13 880 CI/5,06	- 23 960 CI/4,89▲	718 29 940 CI/4,89▲	898 -	- -	5	1400		
4	-	-	-	-	-	-	-	-	-	-	164 5 730 CI/4,1	- -	328 11 200 CI/4	- -	586 19 510 CI/3,9	732 24 380 CI/3,9	- -	4	1120		
3 150 000	56	-	-	-	-	-	-	2 890 C2I/55,4	5 280 C2I/57	5 840 C2I/56,8	10 340 C2I/55,5	12 260 C2I/56,9	19 400 C2I/56,1	24 180 C2I/56,6	30 650 C2I/56	38 140 C2I/56	48 360 C2I/57,6				
	50	-	-	-	-	-	-	2 880 C2I/50,4	4 990 C2I/52,1	6 120 C2I/52,4	10 400 C2I/53,9	12 240 C2I/53,1	18 640 C2I/52,1	24 120 C2I/53,1	30 550 C2I/51,3	37 050 C2I/51,3	48 240 C2I/50,5				
	50	140 ICI/49	230 ICI/50,9	290 ICI/50,9	440 ICI/53	495 ICI/53	980 ICI/49,9	1 960 ICI/50	2 480 ICI/49,3	4 300 ICI/52,5	5 240 ICI/50,8	8 750 ICI/52,5	- -	- -	- -	- -	- -				
	45	-	-	-	-	-	-	3 050 C2I/45,1	4 530 C2I/45,6	6 460 C2I/45,4	9 290 C2I/46,6	12 930 C2I/47,8	18 460 C2I/47,1	25 500 C2I/47,5	32 320 C2I/44,2	40 230 C2I/44,2	51 000 C2I/45,4				
	40	-	-	-	-	-	-	3 010 C2I/38,7	4 640 C2I/39,5	6 260 C2I/41	9 430 C2I/42,6	13 260 C2I/41,4	18 930 C2I/42,8	26 150 C2I/41,6	33 150 C2I/39,5	41 250 C2I/39,5	52 300 C2I/41				
	40	150 ICI/38,6	235 ICI/40,1	290 ICI/40,1	495 ICI/41,8	570 ICI/41,8	1 060 ICI/39,4	2 060 ICI/39,4	2 390 ICI/40,2	4 530 ICI/41,4	5 300 ICI/41,6	9 210 ICI/41,4	- -	- -	- -	- -	- -				

For n_1 lower than 560 min⁻¹ see page 195.
▲ Possible forced lubrication with heat exchanger: consult us.

Bevel helical gear reducer selection tables



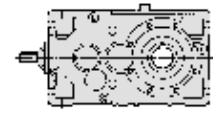
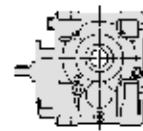
9

$n_{N2} \cdot L_h$ min ⁻¹ · h	i_N	P_{N2} kW																i_N	n_1 min ⁻¹	n_{N2} min ⁻¹	
		M_{N2} N m																			
		50	63	64	80	81	100	125	140	160	180	200	225	250	280	320	321				360
3 150 000	35,5	-	-	-	-	-	-	3 220 C2I/37,5	4 770 C2I/37,5	6 820 C2I/37,3	9 700 C2I/35,3	13 370 C2I/36,2	19 470 C2I/37,2	26 890 C2I/37,5	34 090 C2I/36,3	42 420 C2I/36,3	53 790 C2I/37,3				
	31,5	-	-	-	-	-	-	3 220 C2I/32	5 990 C2I/33,1	6 840 C2I/33,2	10 980 C2I/34,2	13 690 C2I/33,7	23 150 C2I/33,1	26 980 C2I/33,7	35 190 C2I/31,3	43 800 C2I/31,3	55 530 C2I/32,5				
	31,5	145 CI/32,1	210 CI/33	255 CI/33	475 CI/31,4	520 CI/31,4	990 CI/32,8	2 010 CI/32,4	-	4 250 CI/31,4	-	8 730 CI/32,7	-	-	-	-	-				
	31,5	-	200 CI/31,3	235 CI/31,3	410 CI/32,5	500 CI/32,5	785 CI/30,1	1 570 CI/31,3	-	3 110 CI/30,8	-	5 280 CI/30,8	-	10 900 CI/31,7	-	-	-				
	28	-	-	-	-	-	-	-	3 410 C2I/28,6	5 430 C2I/28,9	7 230 C2I/28,8	10 290 C2I/29,5	14 460 C2I/30,3	21 680 C2I/29,9	28 530 C2I/30,1	36 160 C2I/28	45 000 C2I/28	57 050 C2I/28,8			
	25	-	-	-	-	-	-	-	3 290 C2I/24,5	5 200 C2I/25,1	6 830 C2I/26	10 560 C2I/27	14 600 C2I/26,3	21 200 C2I/27,2	29 280 C2I/26,4	37 120 C2I/25,1	46 190 C2I/25,1	58 560 C2I/26			
	25	120 CI/24,1	225 CI/25	285 CI/25	485 CI/26	570 CI/26	895 CI/24,1	1 960 CI/25	-	3 880 CI/24,6	-	7 760 CI/24,6	-	15 880 CI/25,4	-	-	-				
	22,4	-	-	-	-	-	-	-	3 570 C2I/23,8	5 290 C2I/23,8	7 560 C2I/23,7	10 730 C2I/22,4	14 960 C2I/23	21 590 C2I/23,6	29 800 C2I/23,8	37 790 C2I/23	47 040 C2I/23	59 610 C2I/23,7			
	20	-	-	-	-	-	-	-	3 160 C2I/20,4	5 360 C2I/20,6	7 040 C2I/21,4	10 880 C2I/20,5	13 130 C2I/19,9	21 880 C2I/21,5	27 050 C2I/20,8	38 300 C2I/20,6	47 540 C2I/20,6	55 480 C2I/21,4			
	20	125 CI/19,3	230 CI/20	285 CI/20	505 CI/20,8	590 CI/20,8	1 010 CI/19,3	2 020 CI/20	2 900 CI/20	4 400 CI/19,7	5 810 CI/20,3	9 040 CI/19,7	11 610 CI/20,3	18 090 CI/20,3	22 940 CI/20	29 650 CI/19,7	35 410 CI/19,7	45 250 CI/20,3			
	18	-	-	-	-	-	-	-	2 970 CI/18	4 680 CI/18	6 170 CI/18,7	9 320 CI/18	12 210 CI/18,7	18 540 CI/17,9	23 590 CI/18	28 520 CI/18	36 010 CI/18	47 840 CI/18,4			
	16	125 CI/15,2	235 CI/15,8	290 CI/15,8	505 CI/16,4	590 CI/16,4	1 030 CI/15,2	2 050 CI/15,8	2 980 CI/15,8	4 460 CI/15,5	6 310 CI/16	9 170 CI/15,5	12 530 CI/16	18 340 CI/16	25 110 CI/15,8	29 880 CI/16,3	37 270 CI/16,3	47 830 CI/16			
	14	-	-	-	-	-	-	-	3 160 CI/14,2	4 930 CI/14,2	6 550 CI/14,7	10 090 CI/14,2	12 890 CI/14,7	20 170 CI/14,1	24 860 CI/14,2	32 340 CI/14,2	38 380 CI/14,2	50 430 CI/14,5			
	12,5	145 CI/12,4	265 CI/12,6	340 CI/12,6	590 CI/13,1	685 CI/13,1	1 170 CI/12,4	2 420 CI/12,6	2 900 CI/12,9	5 150 CI/13	5 910 CI/13,1	10 300 CI/13	11 410 CI/12,8	19 930 CI/12,6	22 850 CI/12,9	30 910 CI/12,8	37 840 CI/12,8	44 480 CI/12,6			
	11,2	-	-	-	-	-	-	-	87,3 3 350 CI/11,3	117 4 570 CI/11,4	179 7 110 CI/11,7	235 9 020 CI/11,3	354 14 100 CI/11,7▲	- 18 270 CI/11,4	- 27 200 CI/11,3	- 31 580 CI/11	- 39 470 CI/11	- 51 560 CI/11,5	11,2	2800	250
	10	3,61 140 CI/10,3	7,49 285 CI/10	9,16 350 CI/10	15,2 605 CI/10,4	17,6 700 CI/10,4	32,8 1 230 CI/9,81	64,3 2 460 CI/10	81,4 3 170 CI/10,2	125 4 940 CI/10,3	163 6 460 CI/10,4	250 9 860 CI/10,3	321 12 470 CI/10,2	- 19 690 CI/10	- 24 980 CI/10,2	- 35 060 CI/10,2	- 42 930 CI/10,2	- 48 280 CI/10	10	2500	
9	-	-	-	-	-	-	-	86,9 3 340 CI/9	130 5 020 CI/9,04	174 6 920 CI/9,33	261 9 930 CI/8,93	342 13 620 CI/9,33▲	522 20 100 CI/9,04▲	- 26 270 CI/9	- 34 370 CI/8,75	- 42 810 CI/8,75	- 51 910 CI/9,2	9	2240		
8	4,05 150 CI/7,85	7,38 280 CI/8	9,34 355 CI/8	15,5 615 CI/8,33	17,9 715 CI/8,33	32,9 1 230 CI/7,85	65,3 2 490 CI/8	78,7 3 060 CI/8,15	126 4 980 CI/8,27	157 6 240 CI/8,31	252 9 940 CI/8,27	310 12 040 CI/8,14	472 18 510 CI/8,21	- 24 120 CI/8,15	- 31 190 CI/7,83	- 38 840 CI/7,83	- 46 960 CI/8	8	2000		

For n_1 lower than 560 min⁻¹ see page 195.

▲ Possible forced lubrication with heat exchanger: consult us.

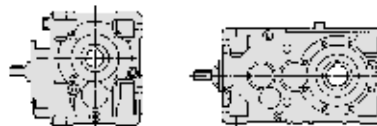
Bevel helical gear reducer selection tables



$n_{N2} \cdot L_h$ min ⁻¹ · h	i_N	P_{N2} kW																i_N	n_1 min ⁻¹	n_{N2} min ⁻¹		
		M_{N2} N m																				
		... / i																				
		50	63	64	80	81	100	125	140	160	180	200	225	250	280	320	321	360				
3 150 000	6,3	3,43 135 CI/6,53	6,06 240 CI/6,57	7,68 300 CI/6,57	13,7 515 CI/6,27	15,4 575 CI/6,27	27,1 1 060 CI/6,53	57,4 2 250 CI/6,57	-	113 4 230 CI/6,27	-	226 8 820 CI/6,53	-	452 17 750 CI/6,57	-	- 30 220 CI/6,27	- 37 780 CI/6,27	-	6,3	1600	250	
	5	-	-	-	-	-	-	46 1 780 CI/5,06	-	90,9 3 390 CI/4,89	-	181 7 080 CI/5,11	-	363 14 020 CI/5,06	-	648 24 190 CI/4,89	810 30 240 CI/4,89	-	5	1250		
	4	-	-	-	-	-	-	-	-	-	-	148 5 790 CI/4,1	-	296 11 310 CI/4	-	528 19 700 CI/3,9	660 24 620 CI/3,9	-	4	1000		
2 800 000	63	-	-	-	-	-	-	2 810 C2I/62	5 150 C2I/65,2	6 740 C2I/65,5	10 300 C2I/64,2	11 920 C2I/63,2	20 600 C2I/62,1	23 500 C2I/63,3	32 540 C2I/65,1	40 680 C2I/65,1	46 990 C2I/64					
	63	120 ICI/60,1	230 ICI/63,6	280 ICI/63,6	475 ICI/66,2	560 ICI/66,2	1000 ICI/61,3	1 850 ICI/62,5	2 420 ICI/62,5	4 370 ICI/62,5	5 110 ICI/64,4	9 000 ICI/62,5	-	-	-	-	-					
	56	-	-	-	-	-	-	2 970 C2I/55,4	5 460 C2I/57	6 040 C2I/56,8	10 700 C2I/55,5	12 580 C2I/56,9	20 070 C2I/56,1	24 820 C2I/56,6	31 460 C2I/56	39 150 C2I/56	49 640 C2I/57,6					
	50	-	-	-	-	-	-	2 960 C2I/50,4	5 160 C2I/52,1	6 290 C2I/52,4	10 750 C2I/53,9	12 570 C2I/53,1	19 270 C2I/52,1	24 780 C2I/53,1	31 390 C2I/51,3	38 070 C2I/51,3	49 560 C2I/50,5					
	50	145 ICI/49	240 ICI/50,9	300 ICI/50,9	450 ICI/53	510 ICI/53	1 010 ICI/49,9	2 010 ICI/50	2 550 ICI/49,3	4 420 ICI/52,5	5 390 ICI/50,8	9 040 ICI/52,5	-	-	-	-	-					
	45	-	-	-	-	-	-	-	3 130 C2I/45,1	4 670 C2I/45,6	6 630 C2I/45,4	9 610 C2I/46,6	13 260 C2I/47,8	18 930 C2I/47,1	26 150 C2I/47,5	33 150 C2I/44,2	41 250 C2I/44,2	52 300 C2I/45,4				
	40	-	-	-	-	-	-	-	3 090 C2I/38,7	4 770 C2I/39,5	6 440 C2I/41	9 700 C2I/42,6	13 640 C2I/41,4	19 470 C2I/42,8	26 890 C2I/41,6	34 090 C2I/39,5	42 420 C2I/39,5	53 790 C2I/41				
	40	155 ICI/38,6	240 ICI/40,1	300 ICI/40,1	510 ICI/41,8	585 ICI/41,8	1 090 ICI/39,4	2 120 ICI/39,4	2 460 ICI/40,2	4 660 ICI/41,4	5 450 ICI/41,6	9 470 ICI/41,4	-	-	-	-	-					
	35,5	-	-	-	-	-	-	-	3 320 C2I/37,5	4 930 C2I/37,5	7 040 C2I/37,3	10 010 C2I/35,3	13 800 C2I/36,2	20 100 C2I/37,2	27 760 C2I/37,5	35 190 C2I/36,3	43 800 C2I/36,3	55 530 C2I/37,3				
	31,5	-	-	-	-	-	-	-	3 310 C2I/32	6 000 C2I/33,1	7 030 C2I/33,2	11 380 C2I/34,2	14 060 C2I/33,7	23 990 C2I/33,1	27 720 C2I/33,7	36 160 C2I/31,3	45 000 C2I/31,3	57 050 C2I/32,5				
	31,5	150 ICI/32,1	220 ICI/33	265 ICI/33	485 ICI/31,4	535 ICI/31,4	1 020 ICI/32,8	2 070 ICI/32,4	-	4 360 ICI/31,4	-	8 970 ICI/32,7	-	-	-	-	-					
	31,5	-	205 CI/31,3	245 CI/31,3	425 CI/32,5	515 CI/32,5	815 CI/30,1	1 630 CI/31,3	-	3 230 CI/30,8	-	5 460 CI/30,8	-	11 190 CI/31,7	-	-	-					
	28	-	-	-	-	-	-	-	3 510 C2I/28,6	5 620 C2I/28,9	7 420 C2I/28,8	10 560 C2I/29,5	14 850 C2I/30,3	22 470 C2I/29,9	29 280 C2I/30,1	37 120 C2I/28	46 190 C2I/28	58 560 C2I/28,8				
	25	-	-	-	-	-	-	-	3 380 C2I/24,5	5 340 C2I/25,1	7 020 C2I/26	10 850 C2I/27	15 000 C2I/26,3	21 780 C2I/27,2	30 080 C2I/26,4	38 140 C2I/25,1	47 460 C2I/25,1	60 170 C2I/26				
	25	125 CI/24,1	230 CI/25	285 CI/25	505 CI/26	590 CI/26	920 CI/24,1	2 010 CI/25	-	3 990 CI/24,6	-	7 970 CI/24,6	-	16 320 CI/25,4	-	-	-					

For n_1 lower than 560 min⁻¹ see page 195.

Bevel helical gear reducer selection tables

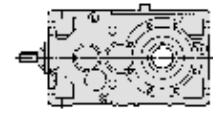
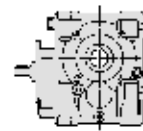


$n_{N2} \cdot L_h$ min ⁻¹ · h	i_N	P_{N2} kW																i_N	n_1	n_{N2} min ⁻¹	
		M_{N2} N m																			
		50	63	64	80	81	100	125	140	160	180	200	225	250	280	320	321				360
2 800 000	22,4	-	-	-	-	-	-	3 610 C2I/23,8	5 360 C2I/23,8	7 660 C2I/23,7	10 880 C2I/22,4	15 160 C2I/23	21 880 C2I/23,6	30 200 C2I/23,8	38 300 C2I/23	47 680 C2I/23	60 420 C2I/23,7				
	20	-	-	-	-	-	-	3 200 C2I/20,4	5 430 C2I/20,6	7 130 C2I/21,4	11 020 C2I/20,5	13 300 C2I/19,9	22 160 C2I/21,5	27 390 C2I/20,8	38 790 C2I/20,6	48 150 C2I/20,6	56 180 C2I/21,4				
	20	125 CI/19,3	230 CI/20	285 CI/20	505 CI/20,8	595 CI/20,8	1 020 CI/19,3	2 040 CI/20	2 940 CI/20	4 460 CI/19,7	5 880 CI/20,3	9 160 CI/19,7	11 760 CI/20,3	18 310 CI/20,3	23 230 CI/20	30 030 CI/19,7	35 860 CI/19,7	45 830 CI/20,3			
	18	-	-	-	-	-	-	3 020 CI/18	4 750 CI/18	6 250 CI/18,7	9 450 CI/18	12 390 CI/18,7	18 810 CI/17,9	23 930 CI/18	28 930 CI/18	36 520 CI/18	48 520 CI/18,4				
	16	130 CI/15,2	235 CI/15,8	290 CI/15,8	505 CI/16,4	595 CI/16,4	1 040 CI/15,2	2 080 CI/15,8	3 020 CI/15,8	4 530 CI/15,5	6 400 CI/16	9 300 CI/15,5	12 710 CI/16	18 600 CI/16	25 470 CI/15,8	30 310 CI/16,3	37 800 CI/16,3	48 520 CI/16			
	14	-	-	-	-	-	-	-	3 200 CI/14,2	5 010 CI/14,2	6 640 CI/14,7	10 230 CI/14,2	13 080 CI/14,7	20 460 CI/14,1	25 220 CI/14,2	32 810 CI/14,2	38 930 CI/14,2	51 150 CI/14,5			
	12,5	3,5 CI/12,4	6,29 CI/12,6	7,97 CI/12,6	13,4 CI/13,1	15,5 CI/13,1	28,1 CI/12,4	57,1 CI/12,6	67,1 CI/12,9	117 CI/13	134 CI/13,1	235 CI/14,4	264 CI/12,8	-	-	-	-	-	12,5	2800	224
	11,2	-	-	-	-	-	-	-	79 CI/11,3	106 CI/11,4	162 CI/11,7	213 CI/11,3	321 CI/11,7	-	-	-	-	-	11,2	2500	
	10	3,27 CI/10,3	6,8 CI/10	8,31 CI/10	13,8 CI/10,4	16 CI/10,4	29,8 CI/9,81	58,4 CI/10	73,9 CI/10,2	114 CI/10,3	148 CI/10,4	227 CI/10,3	291 CI/10,2	468 CI/10,2▲	582 CI/10,2▲	-	-	-	10	2240	
	9	-	-	-	-	-	-	-	78,7 CI/9	118 CI/9,04	157 CI/9,33	236 CI/8,93	310 CI/9,33	472 CI/9,04	-	-	-	-	9	2000	
	8	3,69 CI/7,85	6,72 CI/8	8,51 CI/8	14,1 CI/8,33	16,4 CI/8,33	30 CI/7,85	59,5 CI/8	71,7 CI/8,15	115 CI/8,27	143 CI/8,31	229 CI/8,27	282 CI/8,14	430 CI/8,21	565 CI/8,15▲	760 CI/7,83▲	946 CI/7,83▲	-	8	1800	
	6,3	3,05 CI/6,53	5,39 CI/6,57	6,82 CI/6,57	12,2 CI/6,27	13,6 CI/6,27	24,1 CI/6,53	51 CI/6,57	-	101 CI/6,27	-	201 CI/6,53	-	402 CI/6,57	-	718 CI/6,27▲	898 CI/6,27▲	-	6,3	1400	
5	-	-	-	-	-	-	41,6 CI/5,06	-	82,3 CI/4,89	-	164 CI/5,11	-	328 CI/5,06	-	586 CI/4,89	732 CI/4,89	-	5	1120		
4	-	-	-	-	-	-	-	-	-	-	135 CI/4,1	-	269 CI/4	-	480 CI/3,9	600 CI/3,9	-	4	900		
2 500 000	71	-	-	-	-	-	-	2 890 C2I/70,2	4 290 C2I/72,3	5 640 C2I/72	8 720 C2I/70,3	12 260 C2I/72,2	17 500 C2I/71,2	24 180 C2I/71,7	30 650 C2I/71,1	38 140 C2I/71,1	48 360 C2I/73,1				
	63	-	-	-	-	-	-	2 880 C2I/62	5 300 C2I/65,2	6 970 C2I/65,5	10 600 C2I/64,2	12 240 C2I/63,2	21 200 C2I/62,1	24 120 C2I/63,3	33 670 C2I/65,1	42 080 C2I/65,1	48 240 C2I/64				
	63	125 ICI/60,1	230 ICI/63,6	285 ICI/63,6	495 ICI/66,2	580 ICI/66,2	1 030 ICI/61,3	1 910 ICI/62,5	2 480 ICI/62,5	4 500 ICI/62,5	5 240 ICI/64,4	9 250 ICI/62,5	-	-	-	-	-				
	56	-	-	-	-	-	-	3 050 C2I/55,4	5 640 C2I/57	6 240 C2I/56,8	11 060 C2I/55,5	12 930 C2I/56,9	20 740 C2I/56,1	25 500 C2I/56,6	32 320 C2I/56	40 230 C2I/56	51 000 C2I/57,6				

For n_1 lower than 560 min⁻¹ see page 195.

▲ Possible forced lubrication with heat exchanger: consult us.

Bevel helical gear reducer selection tables

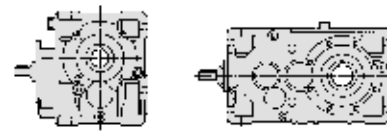


$n_{N2} \cdot L_h$ min ⁻¹ · h	i_N	P_{N2} kW M_{N2} N m ... / i																i_N	n_1 min ⁻¹	n_{N2} min ⁻¹	
		50	63	64	80	81	100	125	140	160	180	200	225	250	280	320	321				360
2 500 000	50	-	-	-	-	-	-	-	3 030 C2I/50,4	5 340 C2I/52,1	6 450 C2I/52,4	11 120 C2I/53,9	12 890 C2I/53,1	19 930 C2I/52,1	25 410 C2I/53,1	32 190 C2I/51,3	39 270 C2I/51,3	50 820 C2I/50,5			
	50	150 ICI/49	245 ICI/50,9	310 ICI/50,9	460 ICI/53	520 ICI/53	1 050 ICI/49,9	2 060 ICI/50	2 610 ICI/49,3	4 530 ICI/52,5	5 520 ICI/50,8	9 360 ICI/52,5	-	-	-	-	-	-			
	45	-	-	-	-	-	-	-	3 220 C2I/45,1	4 820 C2I/45,6	6 820 C2I/45,4	9 920 C2I/46,6	13 640 C2I/47,8	19 470 C2I/47,1	26 890 C2I/47,5	34 090 C2I/44,2	42 420 C2I/44,2	53 790 C2I/45,4			
	40	-	-	-	-	-	-	-	3 200 C2I/38,7	4 930 C2I/39,5	6 650 C2I/41	10 010 C2I/42,6	14 080 C2I/41,4	20 100 C2I/42,8	27 760 C2I/41,6	35 190 C2I/39,5	43 800 C2I/39,5	55 530 C2I/41			
	40	155 ICI/38,6	250 ICI/40,1	310 ICI/40,1	525 ICI/41,8	605 ICI/41,8	1 130 ICI/39,4	2 190 ICI/39,4	2 540 ICI/40,2	4 810 ICI/41,4	5 630 ICI/41,6	9 780 ICI/41,4	-	-	-	-	-	-			
	35,5	-	-	-	-	-	-	-	3 410 C2I/37,5	5 060 C2I/37,5	7 230 C2I/37,3	10 290 C2I/35,3	14 180 C2I/36,2	20 650 C2I/37,2	28 530 C2I/37,5	36 160 C2I/36,3	45 000 C2I/36,3	57 050 C2I/37,3			
	31,5	-	-	-	-	-	-	-	3 400 C2I/32	6 150 C2I/33,1	7 220 C2I/33,2	11 790 C2I/34,2	14 430 C2I/33,7	24 860 C2I/33,1	28 460 C2I/33,7	37 120 C2I/31,3	46 190 C2I/31,3	58 560 C2I/32,5			
	31,5	160 ICI/32,1	225 ICI/33	275 ICI/33	500 ICI/31,4	545 ICI/31,4	1 050 ICI/32,8	2 120 ICI/32,4	-	4 480 ICI/31,4	-	9 210 ICI/32,7	-	-	-	-	-	-			
	31,5	-	210 CI/31,3	245 CI/31,3	445 CI/32,5	530 CI/32,5	845 CI/30,1	1 690 CI/31,3	-	3 340 CI/30,8	-	5 660 CI/30,8	-	11 490 CI/31,7	-	-	-	-			
	28	-	-	-	-	-	-	-	3 600 C2I/28,6	5 830 C2I/28,9	7 630 C2I/28,8	10 850 C2I/29,5	15 250 C2I/30,3	23 280 C2I/29,9	30 080 C2I/30,1	38 140 C2I/28	47 460 C2I/28	60 170 C2I/28,8			
	25	-	-	-	-	-	-	-	3 420 C2I/24,5	5 410 C2I/25,1	7 120 C2I/26	11 000 C2I/27	15 210 C2I/26,3	22 080 C2I/27,2	30 490 C2I/26,4	38 660 C2I/25,1	48 100 C2I/25,1	60 990 C2I/26			
	25	130 CI/24,1	230 CI/25	285 CI/25	505 CI/26	595 CI/26	935 CI/24,1	2 040 CI/25	-	4 040 CI/24,6	-	8 080 CI/24,6	-	16 540 CI/25,4	-	-	-	-			
	22,4	-	-	-	-	-	-	-	3 660 C2I/23,8	5 430 C2I/23,8	7 760 C2I/23,7	11 020 C2I/22,4	15 350 C2I/23	22 160 C2I/23,6	30 580 C2I/23,8	38 790 C2I/23	48 280 C2I/23	61 190 C2I/23,7			
	20	-	-	-	-	-	-	-	3 240 C2I/20,4	5 510 C2I/20,6	7 240 C2I/21,4	11 170 C2I/20,5	13 490 C2I/19,9	22 470 C2I/21,5	27 780 C2I/20,8	39 340 C2I/20,6	48 830 C2I/20,6	56 980 C2I/21,4			
	20	130 CI/19,3	235 CI/20	290 CI/20	505 CI/20,8	595 CI/20,8	1 040 CI/19,3	2 070 CI/20	2 980 CI/20	4 520 CI/19,7	5 960 CI/20,3	9 290 CI/19,7	11 930 CI/20,3	18 570 CI/20,3	23 560 CI/20	30 450 CI/19,7	36 370 CI/19,7	46 480 CI/20,3			
	18	-	-	-	-	-	-	-	3 060 CI/18	4 810 CI/18	6 340 CI/18,7	9 590 CI/18	12 560 CI/18,7	19 080 CI/17,9	24 270 CI/18	29 340 CI/18	37 050 CI/18	49 210 CI/18,4			
16	135 CI/15,2	240 CI/15,8	295 CI/15,8	510 CI/16,4	595 CI/16,4	1 060 CI/15,2	2 110 CI/15,8	3 060 CI/15,8	4 590 CI/15,5	6 490 CI/16	9 430 CI/15,5	12 900 CI/16	18 870 CI/16	25 830 CI/15,8	30 750 CI/16,3	38 350 CI/16,3	49 220 CI/16				
14	-	-	-	-	-	-	-	67,1 C2I/14,2	105 CI/14,2	134 CI/14,7	214 CI/14,7	264 CI/14,7	-	20 750 CI/14,2	25 580 CI/14,2	33 270 CI/14,2	39 480 CI/14,2	51 870 CI/14,5	14	2800	200

For n_1 lower than 560 min⁻¹ see page 195.

▲ Possible forced lubrication with heat exchanger: consult us.

Bevel helical gear reducer selection tables



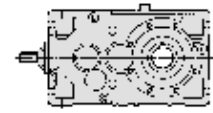
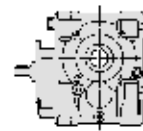
9

$n_{N2} \cdot L_h$ min ⁻¹ · h	i_N	P_{N2} kW																i_N	n_1 min ⁻¹	n_{N2} min ⁻¹	
		M_{N2} N m																			
		50	63	64	80	81	100	125	140	160	180	200	225	250	280	320	321				360
2 500 000	12,5	3,17 150 CI/12,4	5,69 275 CI/12,6	7,21 345 CI/12,6	12,1 610 CI/13,1	14 705 CI/13,1	25,4 1 200 CI/12,4	51,7 2 490 CI/12,6	60,7 2 980 CI/12,9	106 5 290 CI/13	121 6 080 CI/13,1	213 10 580 CI/13	239 11 730 CI/12,8	— 20 480 CI/12,6	— 23 490 CI/12,9	— 31 770 CI/12,8	— 38 900 CI/12,8	— 45 720 CI/12,6	12,5	2500	200
	11,2	—	—	—	—	—	—	71,7 3 440 CI/11,3	96,5 4 690 CI/11,4	147 7 300 CI/11,7	193 9 270 CI/11,3	291 14 480 CI/11,7	386 18 760 CI/11,4	582 27 930 CI/11,3▲	— 32 430 CI/11	— 40 540 CI/11	— 52 950 CI/11,5	11,2	2240		
	10	2,96 145 CI/10,3	6,16 295 CI/10	7,52 360 CI/10	12,5 620 CI/10,4	14,5 720 CI/10,4	26,9 1 260 CI/9,81	52,9 2 520 CI/10	66,9 3 250 CI/10,2	103 5 080 CI/10,3	134 6 630 CI/10,4	205 10 130 CI/10,3	264 12 810 CI/10,2	424 20 220 CI/10	527 25 650 CI/10,2	— 36 010 CI/10,2	— 44 090 CI/10,2	— 49 590 CI/10	10	2000	
	9	—	—	—	—	—	—	71,7 3 420 CI/9	108 5 160 CI/9,04	143 7 100 CI/9,33	215 10 190 CI/8,93	282 13 980 CI/9,33	430 20 630 CI/9,04	565 26 960 CI/9▲	760 35 280 CI/8,75▲	946 43 940 CI/8,75▲	— 53 290 CI/9,2	9	1800		
	8	3,33 155 CI/7,85	6,06 290 CI/8	7,68 365 CI/8	12,7 635 CI/8,33	14,7 735 CI/8,33	27,1 1 270 CI/7,85	53,6 2 560 CI/8	64,6 3 150 CI/8,15	104 5 110 CI/8,27	129 6 410 CI/8,31	207 10 200 CI/8,27	255 12 370 CI/8,14	388 19 010 CI/8,21	509 24 770 CI/8,15	685 32 030 CI/7,83	853 39 890 CI/7,83	— 48 220 CI/8	8	1600	
	6,3	2,77 140 CI/6,53	4,84 245 CI/6,57	6,12 305 CI/6,57	11 525 CI/6,27	12,5 595 CI/6,27	21,6 1 080 CI/6,53	46 2 310 CI/6,57	— 4 350 CI/6,27	90,9 — 4 350	— — —	181 9 060 CI/6,53	— — —	363 18 220 CI/6,57	— — —	648 31 010 CI/6,27	810 38 760 CI/6,27	— — —	6,3	1250	
	5	—	—	—	—	—	—	37,6 1 810 CI/5,06	— — —	74,3 3 470 CI/4,89	— — —	148 7 230 CI/5,11	— — —	296 14 310 CI/5,06	— — —	528 24 660 CI/4,89	660 30 830 CI/4,89	— — —	5	1000	
	4	—	—	—	—	—	—	—	—	—	—	121 5 910 CI/4,1	— — —	242 11 540 CI/4	— — —	431 20 070 CI/3,9	538 25 090 CI/3,9	— — —	4	800	
	2 240 000	80	—	—	—	—	—	—	2 810 C21/78,6	4 740 C21/82,7	5 960 C21/83,1	9 420 C21/81,4	11 920 C21/80,2	17 030 C21/78,8	23 500 C21/80,3	29 760 C21/82,6	36 100 C21/82,6	46 990 C21/81,2			
		80	120 ICI/75,2	230 ICI/79,5	280 ICI/79,5	435 ICI/82,7	515 ICI/82,7	995 ICI/76,7	1 650 ICI/78,1	2 050 ICI/78,1	3 610 ICI/78,1	4 130 ICI/80,5	7 420 ICI/78,1	—	—	—	—	—			
71		—	—	—	—	—	—	2 970 C21/70,2	4 400 C21/72,3	5 790 C21/72	8 950 C21/70,3	12 580 C21/72,2	17 970 C21/71,2	24 820 C21/71,7	31 460 C21/71,1	39 150 C21/71,1	49 640 C21/73,1				
63		—	—	—	—	—	—	2 960 C21/62	5 450 C21/65,2	7 200 C21/65,5	10 900 C21/64,2	12 610 C21/63,2	21 800 C21/62,1	24 870 C21/63,3	34 800 C21/65,1	43 490 C21/65,1	49 560 C21/64				
63		130 ICI/60,1	230 ICI/63,6	285 ICI/63,6	510 ICI/66,2	600 ICI/66,2	1 060 ICI/61,3	1 980 ICI/62,5	2 550 ICI/62,5	4 620 ICI/62,5	5 390 ICI/64,4	9 500 ICI/62,5	—	—	—	—	—				
56		—	—	—	—	—	—	3 130 C21/55,4	5 600 C21/57	6 460 C21/56,8	11 440 C21/55,5	13 260 C21/56,9	21 460 C21/56,1	26 150 C21/56,6	33 150 C21/56	41 250 C21/56	52 300 C21/57,6				
50		—	—	—	—	—	—	3 120 C21/50,4	5 510 C21/52,1	6 630 C21/52,4	11 480 C21/53,9	13 260 C21/53,1	20 570 C21/52,1	26 140 C21/53,1	33 110 C21/51,3	40 530 C21/51,3	52 270 C21/50,5				
50		155 ICI/49	255 ICI/50,9	320 ICI/50,9	475 ICI/53	535 ICI/53	1 080 ICI/49,9	2 120 ICI/50	2 690 ICI/49,3	4 660 ICI/52,5	5 680 ICI/50,8	9 660 ICI/52,5	—	—	—	—	—				
45		—	—	—	—	—	—	3 320 C21/45,1	4 990 C21/45,6	7 040 C21/45,4	10 280 C21/46,6	14 080 C21/47,8	20 100 C21/47,1	27 760 C21/47,5	35 190 C21/44,2	43 800 C21/44,2	55 530 C21/45,4				
40		—	—	—	—	—	—	3 280 C21/38,7	5 060 C21/39,5	6 830 C21/41	10 290 C21/42,6	14 460 C21/41,4	20 650 C21/42,8	28 530 C21/41,6	36 160 C21/39,5	45 000 C21/39,5	57 050 C21/41				

For n_1 , lower than 560 min⁻¹ see page 195.

▲ Possible forced lubrication with heat exchanger: consult us.

Bevel helical gear reducer selection tables

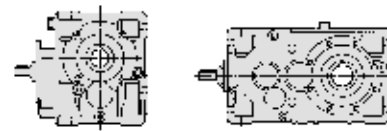


$n_{N2} \cdot L_h$ min ⁻¹ · h	i_N	P_{N2} kW																i_N	n_1	n_{N2} min ⁻¹			
		M_{N2} N m																					
		... / i																					
		50	63	64	80	81	100	125	140	160	180	200	225	250	280	320	321	360					
2 240 000	40	160 ICI/38,6	260 ICI/40,1	325 ICI/40,1	540 ICI/41,8	625 ICI/41,8	1 170 ICI/39,4	2 250 ICI/39,4	2 610 ICI/40,2	4 940 ICI/41,4	5 780 ICI/41,6	10 040 ICI/41,4	-	-	-	-	-	-					
	35,5	-	-	-	-	-	-	-	3 510 C2I/37,5	5 200 C2I/37,5	7 420 C2I/37,3	10 560 C2I/35,3	14 560 C2I/36,2	21 200 C2I/37,2	29 280 C2I/37,5	37 120 C2I/36,3	46 190 C2I/36,3	58 560 C2I/37,3					
	31,5	-	-	-	-	-	-	-	3 490 C2I/32	6 480 C2I/33,1	7 440 C2I/33,2	12 220 C2I/34,2	14 830 C2I/33,7	25 760 C2I/33,1	29 240 C2I/33,7	38 140 C2I/31,3	47 460 C2I/31,3	60 170 C2I/32,5					
	31,5	165 ICI/32,1	230 ICI/33	285 ICI/33	510 ICI/31,4	560 ICI/31,4	1 070 ICI/32,8	2 180 ICI/32,4	-	4 600 ICI/31,4	-	9 460 ICI/32,7	-	-	-	-	-	-	-				
	31,5	-	220 CI/31,3	245 CI/31,3	445 CI/32,5	555 CI/32,5	875 CI/30,1	1 750 CI/31,3	-	3 460 CI/30,8	-	5 870 CI/30,8	-	11 810 CI/31,7	-	-	-	-	-				
	28	-	-	-	-	-	-	-	3 650 C2I/28,6	6 030 C2I/28,9	7 730 C2I/28,8	11 000 C2I/29,5	15 460 C2I/30,3	24 090 C2I/29,9	30 490 C2I/30,1	38 660 C2I/28	48 100 C2I/28	60 990 C2I/28,8					
	25	-	-	-	-	-	-	-	3 470 C2I/24,5	5 480 C2I/25,1	7 210 C2I/26	11 130 C2I/27	15 400 C2I/26,3	22 590 C2I/27,2	30 880 C2I/26,4	39 140 C2I/25,1	48 710 C2I/25,1	61 760 C2I/26					
	25	135 CI/24,1	230 CI/25	285 CI/25	510 CI/26	600 CI/26	945 CI/24,1	2 070 CI/25	-	4 090 CI/24,6	-	8 180 CI/24,6	-	16 750 CI/25,4	-	-	-	-	-				
	22,4	-	-	-	-	-	-	-	3 710 C2I/23,8	5 510 C2I/23,8	7 870 C2I/23,7	11 170 C2I/22,4	15 570 C2I/23	22 470 C2I/23,6	31 020 C2I/23,8	39 340 C2I/23	48 970 C2I/23	62 060 C2I/23,7					
	20	-	-	-	-	-	-	-	3 290 C2I/20,4	5 590 C2I/20,6	7 340 C2I/21,4	11 330 C2I/20,5	13 680 C2I/19,9	22 790 C2I/21,5	28 180 C2I/20,8	39 900 C2I/20,6	49 530 C2I/20,6	57 790 C2I/21,4					
	20	135 CI/19,3	240 CI/20	295 CI/20	510 CI/20,8	600 CI/20,8	1 050 CI/19,3	2 100 CI/20	3 030 CI/20	4 580 CI/19,7	6 050 CI/20,3	9 420 CI/19,7	12 100 CI/20,3	18 840 CI/20,3	23 900 CI/20	30 890 CI/19,7	36 890 CI/19,7	47 140 CI/20,3					
	18	-	-	-	-	-	-	-	3 100 CI/18	4 880 CI/18	6 430 CI/18,7	9 730 CI/18	12 740 CI/18,7	19 350 CI/17,9	24 620 CI/18	29 760 CI/18	37 580 CI/18	49 920 CI/18,4					
	16	2,68 140 CI/15,2	4,54 245 CI/15,8	5,58 300 CI/15,8	9,29 520 CI/16,4	10,7 600 CI/16,4	20,7 1 070 CI/15,2	40,3 2 170 CI/15,8	57,7 3 110 CI/15,8	87,9 4 660 CI/15,5	121 6 580 CI/16	181 9 570 CI/15,5	240 13 080 CI/16	-	-	-	-	-	16	2800	180		
	14	-	-	-	-	-	-	-	60,7 3 290 CI/14,2	94,9 5 150 CI/14,2	121 6 830 CI/14,7	194 10 520 CI/14,2	239 13 440 CI/14,7	-	-	-	-	-	14	2500			
	12,5	2,88 150 CI/12,4	5,17 280 CI/12,6	6,55 350 CI/12,6	11 615 CI/13,1	12,7 715 CI/13,1	23,1 1 220 CI/12,4	46,9 2 520 CI/12,6	55,1 3 020 CI/12,9	96,5 5 360 CI/13	110 6 160 CI/13,1	193 10 720 CI/13	217 11 880 CI/12,8	386 20 750 CI/12,6	434 23 800 CI/12,9	-	-	-	12,5	2240			
	11,2	-	-	-	-	-	-	-	64,9 3 490 CI/11,3	87,3 4 750 CI/11,4	133 7 400 CI/11,7	175 9 390 CI/11,3	264 14 680 CI/11,7	349 19 010 CI/11,4	527 28 320 CI/11,3	624 32 870 CI/11	780 41 090 CI/11	-	11,2	2000			
10	2,7 150 CI/10,3	5,61 300 CI/10	6,86 365 CI/10	11,4 630 CI/10,4	13,2 730 CI/10,4	24,6 1 280 CI/9,81	48,2 2 560 CI/10	60,9 3 300 CI/10,2	93,8 5 140 CI/10,3	122 6 720 CI/10,4	187 10 260 CI/10,3	240 12 970 CI/10,2	386 20 480 CI/10	480 25 980 CI/10,2	676 36 460 CI/10,2▲	828 44 650 CI/10,2▲	946 50 210 CI/10▲	10	1800				
9	-	-	-	-	-	-	-	64,6 3 470 CI/9	97 5 230 CI/9,04	129 7 200 CI/9,33	194 10 330 CI/8,93	255 14 180 CI/9,33	388 20 920 CI/9,04	509 27 340 CI/9	685 35 780 CI/8,75	853 44 560 CI/8,75	-	9	1600				

For n_1 lower than 560 min⁻¹ see page 195.

▲ Possible forced lubrication with heat exchanger: consult us.

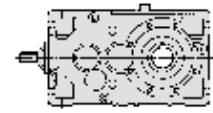
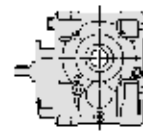
Bevel helical gear reducer selection tables



$n_{N2} \cdot L_h$ min ⁻¹ · h	i_N	P_{N2} kW																i_N	n_1 min ⁻¹	n_{N2} min ⁻¹	
		M_{N2} N m																			
		... / i																			
		50	63	64	80	81	100	125	140	160	180	200	225	250	280	320	321	360			
2 240 000	8	2,96 160 CI/7,85	5,39 295 CI/8	6,82 370 CI/8	11,3 645 CI/8,33	13,1 745 CI/8,33	24,1 1 290 CI/7,85	47,7 2 600 CI/8	57,5 3 200 CI/8,15	92,1 5 190 CI/8,27	115 6 510 CI/8,31	184 10 370 CI/8,27	226 12 570 CI/8,14	345 19 320 CI/8,21	453 25 170 CI/8,15	609 32 550 CI/7,83	759 40 530 CI/7,83	898 49 000 CI/8 ▲	8	1400	180
	6,3	2,57 145 CI/6,53	4,36 245 CI/6,57	5,51 310 CI/6,57	9,86 525 CI/6,27	11,5 615 CI/6,27	19,4 1 080 CI/6,53	41,6 2 330 CI/6,57	—	82,3 4 400 CI/6,27	—	164 9 150 CI/6,53	—	328 18 400 CI/6,57	—	586 31 310 CI/6,27	732 39 130 CI/6,27	—	6,3	1120	
	5	—	—	—	—	—	—	34,1 1 830 CI/5,06	—	67,6 3 510 CI/4,89	—	135 7 290 CI/5,11	—	269 14 440 CI/5,06	—	480 24 880 CI/4,89	600 31 100 CI/4,89	—	5	900	
	4	—	—	—	—	—	—	—	—	—	—	108 5 970 CI/4,1	—	217 11 650 CI/4	—	386 20 270 CI/3,9	482 25 340 CI/3,9	—	4	710	
2 000 000	90	—	—	—	—	—	—	—	2 890 C2I/87,8	4 680 C2I/90,4	5 710 C2I/90	9 140 C2I/87,9	12 260 C2I/90,3	17 500 C2I/89	24 180 C2I/89,7	30 650 C2I/88,8	38 140 C2I/88,8	48 360 C2I/91,4			
	80	—	—	—	—	—	—	—	2 880 C2I/78,6	4 910 C2I/82,7	6 120 C2I/83,1	9 750 C2I/81,4	12 240 C2I/80,2	17 480 C2I/78,8	24 120 C2I/80,3	30 550 C2I/82,6	37 050 C2I/82,6	48 240 C2I/81,2			
	80	125 ICI/75,2	230 ICI/79,5	290 ICI/79,5	450 ICI/82,7	530 ICI/82,7	1 030 ICI/76,7	1 700 ICI/78,1	2 110 ICI/78,1	3 710 ICI/78,1	4 270 ICI/80,5	7 620 ICI/78,1	—	—	—	—	—	—			
	71	—	—	—	—	—	—	—	3 050 C2I/70,2	4 530 C2I/72,3	5 950 C2I/72	9 190 C2I/70,3	12 930 C2I/72,2	18 460 C2I/71,2	25 500 C2I/71,7	32 320 C2I/71,1	40 230 C2I/71,1	51 000 C2I/73,1			
	63	—	—	—	—	—	—	—	3 030 C2I/62	5 600 C2I/65,2	7 450 C2I/65,5	11 200 C2I/64,2	13 050 C2I/63,2	22 400 C2I/62,1	25 730 C2I/63,3	36 000 C2I/65,1	45 000 C2I/65,1	50 820 C2I/64			
	63	130 ICI/60,1	230 ICI/63,6	290 ICI/63,6	510 ICI/66,2	600 ICI/66,2	1 090 ICI/61,3	2 050 ICI/62,5	2 610 ICI/62,5	4 750 ICI/62,5	5 520 ICI/64,4	9 750 ICI/62,5	—	—	—	—	—	—			
	56	—	—	—	—	—	—	—	3 220 C2I/55,4	5 800 C2I/57	6 660 C2I/56,8	11 810 C2I/55,5	13 640 C2I/56,9	22 150 C2I/56,1	26 890 C2I/56,6	34 090 C2I/56	42 420 C2I/56	53 790 C2I/57,6			
	50	—	—	—	—	—	—	—	3 220 C2I/50,4	5 710 C2I/52,1	6 840 C2I/52,4	11 890 C2I/53,9	13 690 C2I/53,1	21 310 C2I/52,1	26 980 C2I/53,1	34 180 C2I/51,3	41 990 C2I/51,3	53 960 C2I/50,5			
	50	155 ICI/49	265 ICI/50,9	330 ICI/50,9	490 ICI/53	555 ICI/53	1 120 ICI/49,9	2 190 ICI/50	2 780 ICI/49,3	4 810 ICI/52,5	5 870 ICI/50,8	10 000 ICI/52,5	—	—	—	—	—	—			
	45	—	—	—	—	—	—	—	3 410 C2I/45,1	5 170 C2I/45,6	7 230 C2I/45,4	10 650 C2I/46,6	14 460 C2I/47,8	20 650 C2I/47,1	28 530 C2I/47,5	36 160 C2I/44,2	45 000 C2I/44,2	57 050 C2I/45,4			
	40	—	—	—	—	—	—	—	3 370 C2I/38,7	5 200 C2I/39,5	7 010 C2I/41	10 560 C2I/42,6	14 850 C2I/41,4	21 200 C2I/42,8	29 280 C2I/41,6	37 120 C2I/39,5	46 190 C2I/39,5	58 560 C2I/41			
	40	165 ICI/38,6	270 ICI/40,1	335 ICI/40,1	555 ICI/41,8	640 ICI/41,8	1 220 ICI/39,4	2 310 ICI/39,4	2 680 ICI/40,2	5 070 ICI/41,4	5 940 ICI/41,6	10 310 ICI/41,4	—	—	—	—	—	—			
	35,5	—	—	—	—	—	—	—	3 600 C2I/37,5	5 340 C2I/37,5	7 630 C2I/37,3	10 850 C2I/35,3	14 960 C2I/36,2	21 780 C2I/37,2	30 080 C2I/37,5	38 140 C2I/36,3	47 460 C2I/36,3	60 170 C2I/37,3			
31,5	—	—	—	—	—	—	—	3 540 C2I/32	6 500 C2I/33,1	7 700 C2I/33,2	12 640 C2I/34,2	15 030 C2I/33,7	25 900 C2I/33,1	29 640 C2I/33,7	38 660 C2I/31,3	48 100 C2I/31,3	60 990 C2I/32,5				

For n_1 lower than 560 min⁻¹ see page 195.

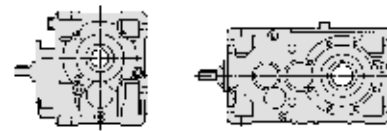
Bevel helical gear reducer selection tables



$n_{N2} \cdot L_h$ min ⁻¹ · h	i_N	P_{N2} kW																i_N	n_1	n_{N2} min ⁻¹	
		M_{N2} N m																			
		... / i																			
		50	63	64	80	81	100	125	140	160	180	200	225	250	280	320	321	360			
2 000 000	31,5	170 CI/32,1	235 CI/33	295 CI/33	520 CI/31,4	570 CI/31,4	1 090 CI/32,8	2 210 CI/32,4	—	4 660 CI/31,4	—	9 590 CI/32,7	—	—	—	—	—	—			
	31,5	—	220 CI/31,3	245 CI/31,3	450 CI/32,5	560 CI/32,5	905 CI/30,1	1 810 CI/31,3	—	3 580 CI/30,8	—	6 070 CI/30,8	—	11 970 CI/31,7	—	—	—	—			
	28	—	—	—	—	—	—	—	3 700 C2I/28,6	6 220 C2I/28,9	7 830 C2I/28,8	11 270 C2I/29,5	15 660 C2I/30,3	24 860 C2I/29,9	30 880 C2I/30,1	39 140 C2I/28	48 710 C2I/28	61 760 C2I/28,8			
	25	—	—	—	—	—	—	—	3 510 C2I/24,5	5 590 C2I/25,1	7 310 C2I/26	11 290 C2I/27	15 620 C2I/26,3	23 410 C2I/27,2	31 320 C2I/26,4	39 700 C2I/25,1	49 400 C2I/25,1	62 640 C2I/26			
	25	140 CI/24,1	230 CI/25	290 CI/25	510 CI/26	600 CI/26	960 CI/24,1	2 100 CI/25	—	4 150 CI/24,6	—	8 300 CI/24,6	—	16 990 CI/25,4	—	—	—	—			
	22,4	—	—	—	—	—	—	—	3 770 C2I/23,8	5 590 C2I/23,8	7 980 C2I/23,7	11 330 C2I/22,4	15 790 C2I/23	22 790 C2I/23,6	31 460 C2I/23,8	39 900 C2I/23	49 670 C2I/23	62 950 C2I/23,7			
	20	—	—	—	—	—	—	—	3 340 C2I/20,4	5 670 C2I/20,6	7 440 C2I/21,4	11 490 C2I/20,5	13 880 C2I/19,9	23 120 C2I/21,5	28 580 C2I/20,8	40 470 C2I/20,6	50 240 C2I/20,6	58 620 C2I/21,4			
	20	140 CI/19,3	240 CI/20	300 CI/20	515 CI/20,8	600 CI/20,8	1 070 CI/19,3	2 130 CI/20	3 070 CI/20	4 650 CI/19,7	6 140 CI/20,3	9 560 CI/19,7	12 270 CI/20,3	19 110 CI/20,3	24 240 CI/20	31 330 CI/19,7	37 790 CI/19,7	47 820 CI/20,3			
	18	—	—	—	—	—	—	—	51,2 3 150 CI/18	80,7 4 950 CI/18	102 6 530 CI/18,7	161 9 870 CI/18	203 12 920 CI/18,7	— 19 620 CI/17,9	— 24 970 CI/18	— 30 180 CI/18	— 38 110 CI/18	— 50 630 CI/18,4	18	2800	160
	16	2,48 145 CI/15,2	4,11 250 CI/15,8	5,05 305 CI/15,8	8,41 525 CI/16,4	9,72 610 CI/16,4	18,7 1 090 CI/15,2	37,2 2 240 CI/15,8	52,3 3 150 CI/15,8	79,6 4 720 CI/15,5	109 6 670 CI/16	164 9 700 CI/15,5	217 13 260 CI/16	— 19 400 CI/16	— 26 560 CI/15,8	— 31 610 CI/16,3	— 39 420 CI/16,3	— 50 590 CI/16	16	2500	
	14	—	—	—	—	—	—	—	55,1 3 340 CI/14,2	86,2 5 210 CI/14,2	110 6 920 CI/14,7	176 10 660 CI/14,2	217 13 620 CI/14,7	355 21 310 CI/14,1	434 26 270 CI/14,2	— 34 170 CI/14,2	— 40 550 CI/14,2	— 53 270 CI/14,5	14	2240	
	12,5	2,61 155 CI/12,4	4,68 280 CI/12,6	5,92 355 CI/12,6	9,96 625 CI/13,1	11,5 725 CI/13,1	20,9 1 230 CI/12,4	42,4 2 560 CI/12,6	49,9 3 060 CI/12,9	87,3 5 430 CI/13	99,8 6 240 CI/13,1	175 10 870 CI/13	196 12 040 CI/12,8	349 21 040 CI/12,6	393 24 120 CI/12,9	533 32 630 CI/12,8	652 39 950 CI/12,8	780 46 960 CI/12,6	12,5	2000	
	11,2	—	—	—	—	—	—	—	59,1 3 530 CI/11,3	79,6 4 810 CI/11,4	121 7 500 CI/11,7	159 9 510 CI/11,3	240 14 870 CI/11,7	318 19 250 CI/11,4	480 28 670 CI/11,3	568 33 290 CI/11	710 41 610 CI/11	891 54 350 CI/11,5▲	11,2	1800	
	10	2,43 150 CI/10,3	5,06 300 CI/10	6,18 370 CI/10	10,3 640 CI/10,4	11,9 740 CI/10,4	22,1 1 300 CI/9,81	43,4 2 590 CI/10	54,9 3 340 CI/10,2	84,5 5 210 CI/10,3	110 6 810 CI/10,4	169 10 400 CI/10,3	217 13 160 CI/10,2	348 20 770 CI/10	433 26 350 CI/10,2	609 36 980 CI/10,2	746 45 280 CI/10,2	853 50 930 CI/10	10	1600	
	9	—	—	—	—	—	—	—	57,5 3 530 CI/9	86,2 5 310 CI/9,04	115 7 320 CI/9,33	172 10 500 CI/8,93	226 14 410 CI/9,33	345 21 260 CI/9,04	453 27 780 CI/9	609 36 360 CI/8,75	759 45 280 CI/8,75	875 54 910 CI/9,2▲	9	1400	
	8	2,65 160 CI/7,85	4,84 295 CI/8	6,11 375 CI/8	10,1 645 CI/8,33	11,7 750 CI/8,33	21,6 1 290 CI/7,85	42,8 2 620 CI/8	51,8 3 230 CI/8,15	83,1 5 250 CI/8,27	104 6 580 CI/8,31	166 10 470 CI/8,27	204 12 700 CI/8,14	311 19 510 CI/8,21	408 25 430 CI/8,15	549 32 850 CI/7,83	685 40 990 CI/7,83	810 49 490 CI/8	8	1250	
6,3	2,37 150 CI/6,53	3,91 245 CI/6,57	4,94 310 CI/6,57	8,85 530 CI/6,27	10,7 640 CI/6,27	17,4 1 090 CI/6,53	37,6 2 360 CI/6,57	—	74,3 4 450 CI/6,27	—	148 9 240 CI/6,53	—	296 18 580 CI/6,57	—	528 31 610 CI/6,27	660 39 510 CI/6,27	—	6,3	1000		
5	—	—	—	—	—	—	30,9 1 860 CI/5,06	—	60,8 3 550 CI/4,89	—	121 7 370 CI/5,11	—	242 14 590 CI/5,06	—	431 25 130 CI/4,89	538 31 410 CI/4,89	—	5	800		

For n_1 lower than 560 min⁻¹ see page 195.

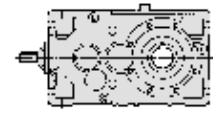
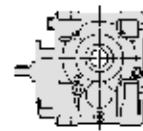
Bevel helical gear reducer selection tables



$n_{N2} \cdot L_h$ min ⁻¹ · h	i_N	P_{N2} kW																i_N	n_1 min ⁻¹	n_{N2} min ⁻¹
		M_{N2} N m																		
		50	63	64	80	81	100	125	140	160	180	200	225	250	280	320	321			
2 000 000	4	-	-	-	-	-	-	-	-	-	97,1 6 030 CI/4,1	-	194 11 770 CI/4	-	346 20 470 CI/3,9	432 25 590 CI/3,9	-	4	630	160
1 800 000	100	-	-	-	-	-	-	2 810 C2I/98,2	5 150 C2I/103	5 970 C2I/104	10 580 C2I/102	11 920 C2I/100	17 330 C2I/98,5	23 500 C2I/100	31 150 C2I/103	38 930 C2I/103	46 990 C2I/102			
	100	-	190 ICI/99,4	235 ICI/99,4	410 ICI/103	460 ICI/103	1 110 ICI/100	1 940 ICI/102	2 420 ICI/100	4 930 ICI/106	5 800 ICI/102	10 300 ICI/106	-	-	-	-	-			
	90	-	-	-	-	-	-	2 970 C2I/87,8	4 840 C2I/90,4	5 860 C2I/90	9 460 C2I/87,9	12 580 C2I/90,3	17 970 C2I/89	24 820 C2I/89,7	31 460 C2I/88,8	39 150 C2I/88,8	49 640 C2I/91,4			
	80	-	-	-	-	-	-	2 960 C2I/78,6	5 070 C2I/82,7	6 290 C2I/83,1	10 080 C2I/81,4	12 570 C2I/80,2	17 960 C2I/78,8	24 780 C2I/80,3	31 390 C2I/82,6	38 070 C2I/82,6	49 560 C2I/81,2			
	80	130 ICI/75,2	230 ICI/79,5	290 ICI/79,5	465 ICI/82,7	550 ICI/82,7	1 060 ICI/76,7	1 750 ICI/78,1	2 160 ICI/78,1	3 810 ICI/78,1	4 410 ICI/80,5	7 830 ICI/78,1	-	-	-	-	-			
	71	-	-	-	-	-	-	3 130 C2I/70,2	4 640 C2I/72,3	6 100 C2I/72	9 430 C2I/70,3	13 260 C2I/72,2	18 930 C2I/71,2	26 150 C2I/71,7	33 150 C2I/71,1	41 250 C2I/71,1	52 300 C2I/73,1			
	63	-	-	-	-	-	-	3 120 C2I/62	5 600 C2I/65,2	7 690 C2I/65,5	11 500 C2I/64,2	13 460 C2I/63,2	23 000 C2I/62,1	26 550 C2I/63,3	37 150 C2I/65,1	46 440 C2I/65,1	52 270 C2I/64			
	63	135 ICI/60,1	230 ICI/63,6	290 ICI/63,6	510 ICI/66,2	605 ICI/66,2	1 120 ICI/61,3	2 110 ICI/62,5	2 690 ICI/62,5	4 870 ICI/62,5	5 680 ICI/64,4	10 000 ICI/62,5	-	-	-	-	-			
	56	-	-	-	-	-	-	3 320 C2I/55,4	6 000 C2I/57	6 900 C2I/56,8	12 240 C2I/55,5	14 080 C2I/56,9	22 940 C2I/56,1	27 760 C2I/56,6	35 190 C2I/56	43 800 C2I/56	55 530 C2I/57,6			
	50	-	-	-	-	-	-	3 310 C2I/50,4	5 920 C2I/52,1	7 030 C2I/52,4	12 330 C2I/53,9	14 060 C2I/53,1	22 090 C2I/52,1	27 720 C2I/53,1	35 110 C2I/51,3	43 520 C2I/51,3	55 440 C2I/50,5			
	50	155 ICI/49	275 ICI/50,9	330 ICI/50,9	505 ICI/53	570 ICI/53	1 160 ICI/49,9	2 250 ICI/50	2 850 ICI/49,3	4 940 ICI/52,5	6 030 ICI/50,8	10 370 ICI/52,5	-	-	-	-	-			
	45	-	-	-	-	-	-	3 510 C2I/45,1	5 360 C2I/45,6	7 420 C2I/45,4	11 040 C2I/46,6	14 850 C2I/47,8	21 200 C2I/47,1	29 280 C2I/47,5	37 120 C2I/44,2	46 190 C2I/44,2	58 560 C2I/45,4			
	40	-	-	-	-	-	-	3 460 C2I/38,7	5 340 C2I/39,5	7 200 C2I/41	10 850 C2I/42,6	15 250 C2I/41,4	21 780 C2I/42,8	30 080 C2I/41,6	38 140 C2I/39,5	47 460 C2I/39,5	60 170 C2I/41			
	40	170 ICI/38,6	280 ICI/40,1	345 ICI/40,1	570 ICI/41,8	655 ICI/41,8	1 260 ICI/39,4	2 370 ICI/39,4	2 750 ICI/40,2	5 210 ICI/41,4	6 100 ICI/41,6	10 590 ICI/41,4	-	-	-	-	-			
	35,5	-	-	-	-	-	-	3 650 C2I/37,5	5 410 C2I/37,5	7 730 C2I/37,3	11 000 C2I/35,3	15 160 C2I/36,2	22 080 C2I/37,2	30 490 C2I/37,5	38 660 C2I/36,3	48 100 C2I/36,3	60 990 C2I/37,3			
	31,5	-	-	-	-	-	-	3 580 C2I/32	6 520 C2I/33,1	7 940 C2I/33,2	12 950 C2I/34,2	15 220 C2I/33,7	25 990 C2I/33,1	30 010 C2I/33,7	39 140 C2I/31,3	48 710 C2I/31,3	61 760 C2I/32,5			
31,5	170 ICI/32,1	245 ICI/33	305 ICI/33	525 ICI/31,4	575 ICI/31,4	1 120 ICI/32,8	2 240 ICI/32,4	-	4 720 ICI/31,4	-	9 710 ICI/32,7	-	-	-	-	-				

For n_1 lower than 560 min⁻¹ see page 195.

Bevel helical gear reducer selection tables

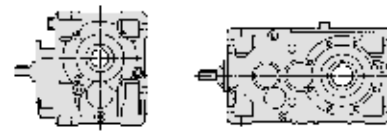


$n_{N2} \cdot L_h$ min ⁻¹ · h	i_N	P_{N2} kW M_{N2} N m ... / i																i_N	n_1 min ⁻¹	n_{N2} min ⁻¹	
		50	63	64	80	81	100	125	140	160	180	200	225	250	280	320	321				360
1 800 000	31,5	-	220 CI/31,3	245 CI/31,3	450 CI/32,5	560 CI/32,5	935 CI/30,1	1 870 CI/31,3	-	3 700 CI/30,8	-	6 260 CI/30,8	-	12 180 CI/31,7	-	-	-	-			
	28	-	-	-	-	-	-	-	3 750 C2I/28,6	6 450 C2I/28,9	7 940 C2I/28,8	11 680 C2I/29,5	15 880 C2I/30,3	25 750 C2I/29,9	31 320 C2I/30,1	39 700 C2I/28	49 400 C2I/28	62 640 C2I/28,8			
	25	-	-	-	-	-	-	-	3 560 C2I/24,5	5 790 C2I/25,1	7 410 C2I/26	11 450 C2I/27	15 840 C2I/26,3	24 260 C2I/27,2	31 770 C2I/26,4	40 270 C2I/25,1	50 110 C2I/25,1	63 530 C2I/26			
	25	145 CI/24,1	230 CI/25	290 CI/25	510 CI/26	605 CI/26	995 CI/24,1	2 130 CI/25	-	4 210 CI/24,6	-	8 420 CI/24,6	-	17 230 CI/25,4	-	-	-	-			
	22,4	-	-	-	-	-	-	-	3 820 C2I/23,8	5 690 C2I/23,8	8 090 C2I/23,7	11 490 C2I/22,4	16 020 C2I/23	23 120 C2I/23,6	31 920 C2I/23,8	40 470 C2I/23	50 380 C2I/23	63 850 C2I/23,7			
	20	-	-	-	-	-	-	-	48,6 C2I/20,4	81,8 C2I/20,6	104 C2I/21,4	167 C2I/20,5▲	207 C2I/19,9▲	-	-	-	-	-	20	2800	140
	20	2,22 CI/19,3	3,61 CI/20	4,43 CI/20	7,38 CI/20,8	8,53 CI/20,8	16,5 CI/19,3	31,7 CI/20	45,6 CI/20	70,2 CI/19,7	89,9 CI/20,3	144 CI/20,3	180 CI/20,3	19 380 CI/20,3	24 580 CI/20	31 780 CI/19,7	39 150 CI/19,7	48 500 CI/20,3	20	2800	
	18	-	-	-	-	-	-	-	46,4 CI/18	73 CI/18	92,8 CI/18,7	145 CI/18	184 CI/18,7	19 890 CI/17,9	25 310 CI/18	30 600 CI/18	38 630 CI/18	51 320 CI/18,4	18	2500	
	16	2,25 CI/15,2	3,73 CI/15,8	4,59 CI/15,8	7,63 CI/16,4	8,82 CI/16,4	17 CI/15,2	34,5 CI/15,8	47,4 CI/15,8	72,2 CI/15,5	99,1 CI/16	148 CI/15,5	197 CI/16	288 CI/16	400 CI/15,8	-	-	-	16	2240	
	14	-	-	-	-	-	-	-	49,9 CI/14,2	78 CI/14,2	99,8 CI/14,7	159 CI/14,2	196 CI/14,7	321 CI/14,1	393 CI/14,2	511 CI/14,2	606 CI/14,2	780 CI/14,5	14	2000	
	12,5	2,37 CI/12,4	4,26 CI/12,6	5,4 CI/12,6	9,08 CI/13,1	10,5 CI/13,1	19 CI/12,4	38,7 CI/12,6	45,5 CI/12,9	79,6 CI/13	90,9 CI/13,1	159 CI/13	180 CI/12,8	318 CI/12,6	358 CI/12,9	486 CI/12,8	594 CI/12,8	710 CI/12,6	12,5	1800	
	11,2	-	-	-	-	-	-	-	53,3 CI/11,3	71,7 CI/11,4	109 CI/11,7	143 CI/11,3	217 CI/11,7	287 CI/11,4	433 CI/11,3	512 CI/11	640 CI/11	803 CI/11,5	11,2	1600	
	10	2,16 CI/10,3	4,5 CI/10	5,49 CI/10	9,12 CI/10,4	10,6 CI/10,4	19,7 CI/9,81	38,6 CI/10	48,8 CI/10,2	75,2 CI/10,3	97,7 CI/10,4	150 CI/10,3	193 CI/10,2	309 CI/10	385 CI/10,2	542 CI/10,2	663 CI/10,2	759 CI/10	10	1400	
	9	-	-	-	-	-	-	-	51,8 CI/9	77,8 CI/9,04	104 CI/9,33	155 CI/8,93	204 CI/9,33	311 CI/9,04	408 CI/9	549 CI/8,75	685 CI/8,75	789 CI/9,2	9	1250	
	8	2,38 CI/7,85	4,36 CI/8	5,49 CI/8	9,12 CI/8,33	10,6 CI/8,33	19,4 CI/7,85	38,6 CI/8	46,9 CI/8,15	75,2 CI/8,27	93,8 CI/8,31	152 CI/8,27	185 CI/8,14	281 CI/8,21	370 CI/8,15	496 CI/7,83	620 CI/7,83	732 CI/8	8	1120	
	6,3	2,2 CI/6,53	3,61 CI/6,57	4,52 CI/6,57	8 CI/6,27	9,9 CI/6,27	15,8 CI/6,53	34,1 CI/6,57	-	67,6 CI/6,27	-	135 CI/6,53	-	269 CI/6,57	-	480 CI/6,27	600 CI/6,27	-	6,3	900	
	5	-	-	-	-	-	-	28,4 CI/5,06	-	54,6 CI/4,89	-	110 CI/5,11	-	217 CI/5,06	-	386 CI/4,89	482 CI/4,89	-	5	710	
	4	-	-	-	-	-	-	-	-	-	-	87,2 CI/4,1	-	174 CI/4	-	309 CI/3,9	386 CI/3,9	-	4	560	

For n_1 lower than 560 min⁻¹ see page 195.

▲ Possible forced lubrication with heat exchanger: consult us.

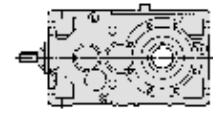
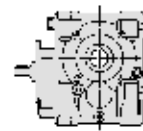
Bevel helical gear reducer selection tables



$n_{N2} \cdot L_h$ min ⁻¹ · h	i_N	P_{N2} kW																i_N	n_1 min ⁻¹	n_{N2} min ⁻¹	
		M_{N2} N m																			
		50	63	64	80	81	100	125	140	160	180	200	225	250	280	320	321				360
1 600 000	100	-	-	-	-	-	-	-	2 880 C2I/98,2	5 300 C2I/103	6 180 C2I/104	10 600 C2I/102	12 240 C2I/100	17 930 C2I/98,5	24 120 C2I/100	32 220 C2I/103	40 280 C2I/103	48 240 C2I/102			
	100	-	195 ICI/99,4	245 ICI/99,4	425 ICI/103	475 ICI/103	1 140 ICI/100	2 010 ICI/102	2 480 ICI/100	5 100 ICI/106	5 800 ICI/102	10 600 ICI/106	-	-	-	-	-	-			
	90	-	-	-	-	-	-	-	3 050 C2I/87,8	5 000 C2I/90,4	6 020 C2I/90	9 770 C2I/87,9	12 930 C2I/90,3	18 460 C2I/89	25 500 C2I/89,7	32 320 C2I/88,8	40 230 C2I/88,8	51 000 C2I/91,4			
	80	-	-	-	-	-	-	-	3 030 C2I/78,6	5 250 C2I/82,7	6 450 C2I/83,1	10 430 C2I/81,4	12 890 C2I/80,2	18 410 C2I/78,8	25 410 C2I/80,3	32 190 C2I/82,6	39 040 C2I/82,6	50 820 C2I/81,2			
	80	130 ICI/75,2	230 ICI/79,5	290 ICI/79,5	480 ICI/82,7	565 ICI/82,7	1 100 ICI/76,7	1 800 ICI/78,1	2 220 ICI/78,1	3 900 ICI/78,1	4 560 ICI/80,5	8 030 ICI/78,1	-	-	-	-	-	-			
	71	-	-	-	-	-	-	-	3 220 C2I/70,2	4 770 C2I/72,3	6 280 C2I/72	9 700 C2I/70,3	13 640 C2I/72,2	19 470 C2I/71,2	26 890 C2I/71,7	34 090 C2I/71,1	42 420 C2I/71,1	53 790 C2I/73,1			
	63	-	-	-	-	-	-	-	3 220 C2I/62	5 800 C2I/65,2	7 970 C2I/65,5	11 800 C2I/64,2	13 950 C2I/63,2	23 600 C2I/62,1	27 510 C2I/63,3	38 490 C2I/65,1	48 110 C2I/65,1	53 960 C2I/64			
	63	140 ICI/60,1	230 ICI/63,6	290 ICI/63,6	515 ICI/66,2	605 ICI/66,2	1 150 ICI/61,3	2 190 ICI/62,5	2 780 ICI/62,5	5 000 ICI/62,5	5 870 ICI/64,4	10 300 ICI/62,5	-	-	-	-	-	-			
	56	-	-	-	-	-	-	-	3 410 C2I/55,4	6 150 C2I/57	7 160 C2I/56,8	12 680 C2I/55,5	14 460 C2I/56,9	23 780 C2I/56,1	28 530 C2I/56,6	36 160 C2I/56	45 000 C2I/56	57 050 C2I/57,6			
	50	-	-	-	-	-	-	-	3 400 C2I/50,4	6 130 C2I/52,1	7 220 C2I/52,4	12 780 C2I/53,9	14 430 C2I/53,1	22 890 C2I/52,1	28 460 C2I/53,1	36 090 C2I/51,3	45 110 C2I/51,3	56 910 C2I/50,5			
	50	160 ICI/49	280 ICI/50,9	330 ICI/50,9	515 ICI/53	585 ICI/53	1 200 ICI/49,9	2 310 ICI/50	2 930 ICI/49,3	5 070 ICI/52,5	6 190 ICI/50,8	10 750 ICI/52,5	-	-	-	-	-	-			
	45	-	-	-	-	-	-	-	3 600 C2I/45,1	5 560 C2I/45,6	7 630 C2I/45,4	11 440 C2I/46,6	15 250 C2I/47,8	21 780 C2I/47,1	30 080 C2I/47,5	38 140 C2I/44,2	47 460 C2I/44,2	60 170 C2I/45,4			
	40	-	-	-	-	-	-	-	3 510 C2I/38,7	5 410 C2I/39,5	7 300 C2I/41	11 000 C2I/42,6	15 460 C2I/41,4	22 080 C2I/42,8	30 490 C2I/41,6	38 660 C2I/39,5	48 100 C2I/39,5	60 990 C2I/41			
	40	175 ICI/38,6	285 ICI/40,1	360 ICI/40,1	575 ICI/41,8	665 ICI/41,8	1 300 ICI/39,4	2 410 ICI/39,4	2 790 ICI/40,2	5 400 ICI/41,4	6 180 ICI/41,6	10 950 ICI/41,4	-	-	-	-	-	-			
	35,5	-	-	-	-	-	-	-	3 700 C2I/37,5	5 480 C2I/37,5	7 830 C2I/37,3	11 130 C2I/35,3	15 350 C2I/36,2	22 360 C2I/37,2	30 880 C2I/37,5	39 140 C2I/36,3	48 710 C2I/36,3	61 760 C2I/37,3			
	31,5	-	-	-	-	-	-	-	3 630 C2I/32	6 540 C2I/33,1	8 230 C2I/33,2	13 000 C2I/34,2	15 440 C2I/33,7	26 080 C2I/33,1	30 440 C2I/33,7	39 700 C2I/31,3	49 400 C2I/31,3	62 640 C2I/32,5			
31,5	170 ICI/32,1	255 ICI/33	315 ICI/33	535 ICI/31,4	585 ICI/31,4	1 160 ICI/32,8	2 270 ICI/32,4	-	4 790 ICI/31,4	-	9 850 ICI/32,7	-	-	-	-	-	-				
31,5	-	220 CI/31,3	245 CI/31,3	450 CI/32,5	560 CI/32,5	970 CI/30,1	1 850 CI/31,3	-	3 650 CI/30,8	-	6 490 CI/30,8	-	12 620 CI/31,7	-	-	-	-				

For n_1 lower than 560 min⁻¹ see page 195.

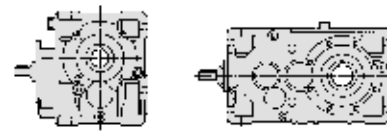
Bevel helical gear reducer selection tables



$n_{N2} \cdot L_h$ min ⁻¹ · h	i_N	P_{N2} kW																i_N	n_1	n_{N2} min ⁻¹	
		M_{N2} N m																			
		50	63	64	80	81	100	125	140	160	180	200	225	250	280	320	321				360
1 600 000	28	-	-	-	-	-	-	-	3 800 C2I/28,6	6 680 C2I/28,9	8 050 C2I/28,8	12 100 C2I/29,5	16 110 C2I/30,3	26 680 C2I/29,9	31 770 C2I/30,1	40 270 C2I/28	50 110 C2I/28	63 530 C2I/28,8			
	25	-	-	-	-	-	-	-	3 620 C2I/24,5	6 000 C2I/25,1	7 520 C2I/26	11 620 C2I/27	16 070 C2I/26,3	25 150 C2I/27,2	32 220 C2I/26,4	40 850 C2I/25,1	50 830 C2I/25,1	64 450 C2I/26			
	25	145 CI/24,1	230 CI/25	290 CI/25	520 CI/26	605 CI/26	1 030 CI/24,1	2 160 CI/25	-	4 270 CI/24,6	-	8 540 CI/24,6	-	17 480 CI/25,4	-	-	-	-			
	22,4	-	-	-	-	-	-	-	47,7 C2I/23,8	72,7 C2I/23,8	102 C2I/23,7	153 C2I/22,4▲	207 C2I/23▲	-	-	-	-	-	22,4	2800	125
	20	-	-	-	-	-	-	-	44 C2I/20,4	74,1 C2I/20,6	93,8 C2I/21,4	151 C2I/20,5	188 C2I/19,9	-	-	-	-	-	20	2500	
	20	1,99 CI/19,3	3,26 CI/20	4,01 CI/20	6,68 CI/20,8	7,72 CI/20,8	14,9 CI/19,3	28,7 CI/20	41,3 CI/20	63,5 CI/19,7	81,4 CI/20,3	131 CI/19,7	163 CI/20,3	-	-	-	-	-	20	2500	
	18	-	-	-	-	-	-	-	42,1 CI/18	66,3 CI/18	84,2 CI/18,7	132 CI/18	167 CI/18,7	265 CI/17,9	334 CI/18	-	-	-	18	2240	
	16	2,02 CI/15,2	3,38 CI/15,8	4,15 CI/15,8	6,91 CI/16,4	7,98 CI/16,4	15,4 CI/15,2	31,8 CI/15,8	42,9 CI/15,8	65,4 CI/15,5	89,7 CI/16	134 CI/15,5	178 CI/16	261 CI/16	362 CI/15,8	418 CI/16,3	521 CI/16,3	680 CI/16	16	2000	
	14	-	-	-	-	-	-	-	45,5 CI/14,2	71,1 CI/14,2	90,9 CI/14,7	145 CI/14,2	179 CI/14,7	293 CI/14,1	358 CI/14,2	466 CI/14,2	553 CI/14,2	710 CI/14,5	14	1800	
	12,5	2,14 CI/12,4	3,84 CI/12,6	4,87 CI/12,6	8,19 CI/13,1	9,48 CI/13,1	17,2 CI/12,4	34,9 CI/12,6	41 CI/12,9	71,7 CI/13	82 CI/13,1	143 CI/13	166 CI/12,8	287 CI/12,6	323 CI/12,9	438 CI/12,8	536 CI/12,8	640 CI/12,6	12,5	1600	
	11,2	-	-	-	-	-	-	-	47,4 CI/11,3	63,8 CI/11,4	97,1 CI/11,7	128 CI/11,3	193 CI/11,7	255 CI/11,4	385 CI/11,3	456 CI/11	569 CI/11	714 CI/11,5	11,2	1400	
	10	1,94 CI/10,3	4,03 CI/10	4,92 CI/10	8,17 CI/10,4	9,46 CI/10,4	17,7 CI/9,81	34,7 CI/10	44 CI/10,2	67,8 CI/10,3	88,1 CI/10,4	138 CI/10,3	174 CI/10,2	279 CI/10	347 CI/10,2	489 CI/10,2	598 CI/10,2	685 CI/10	10	1250	
	9	-	-	-	-	-	-	-	46,9 CI/9	70,5 CI/9,04	93,8 CI/9,33	141 CI/8,93	185 CI/9,33	281 CI/9,04	370 CI/9	496 CI/8,75	620 CI/8,75	714 CI/9,2	9	1120	
	8	2,14 CI/7,85	3,91 CI/8	4,92 CI/8	8,17 CI/8,33	9,46 CI/8,33	17,4 CI/7,85	34,7 CI/8	42,3 CI/8,15	67,8 CI/8,27	84,6 CI/8,31	140 CI/8,27	167 CI/8,14	253 CI/8,21	333 CI/8,15	447 CI/7,83	560 CI/7,83	660 CI/8	8	1000	
	6,3	2,03 CI/6,53	3,33 CI/6,57	4,16 CI/6,57	7,15 CI/6,27	9,12 CI/6,27	14,1 CI/6,53	30,9 CI/6,57	-	60,8 CI/6,27	-	121 CI/6,53	-	242 CI/6,57	-	431 CI/6,27	538 CI/6,27	-	6,3	800	
5	-	-	-	-	-	-	26,1 CI/5,06	-	49 CI/4,89	-	101 CI/5,11	-	195 CI/5,06	-	346 CI/4,89	432 CI/4,89	-	5	630		
1 400 000	125	-	-	-	-	-	-	2 660 C2I/123	5 150 C2I/129	6 020 C2I/130	10 300 C2I/127	11 670 C2I/125	17 470 C2I/123	21 000 C2I/125	30 700 C2I/129	38 370 C2I/129	41 820 C2I/127				
	125	-	-	-	-	1000 ICI/123	2 000 ICI/127	2 430 ICI/127	4 370 ICI/126	6 050 ICI/130	9 000 ICI/126	-	-	-	-	-	-				

For n_1 lower than 560 min⁻¹ see page 195.

Bevel helical gear reducer selection tables

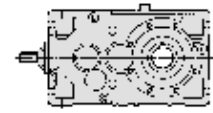
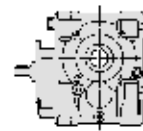


$n_{N2} \cdot L_h$ min ⁻¹ · h	i_N	P_{N2} kW																i_N	n_1	n_{N2} min ⁻¹
		M_{N2} N m																		
		50	63	64	80	81	100	125	140	160	180	200	225	250	280	320	321			
1 400 000	100	-	-	-	-	-	-	2 960 C2I/98,2	5 450 C2I/103	6 390 C2I/104	10 900 C2I/102	12 570 C2I/100	18 530 C2I/98,5	24 780 C2I/100	33 300 C2I/103	41 630 C2I/103	49 560 C2I/102			
	100	-	200 ICI/99,4	250 ICI/99,4	435 ICI/103	485 ICI/103	1 180 ICI/100	2 080 ICI/102	2 550 ICI/100	5 270 ICI/106	6 000 ICI/102	11 070 ICI/106	-	-	-	-	-			
	90	-	-	-	-	-	-	3 130 C2I/87,8	5 170 C2I/90,4	6 170 C2I/90	10 110 C2I/87,9	13 260 C2I/90,3	18 930 C2I/89	26 150 C2I/89,7	33 150 C2I/88,8	41 250 C2I/88,8	52 300 C2I/91,4			
	80	-	-	-	-	-	-	3 120 C2I/78,6	5 420 C2I/82,7	6 630 C2I/83,1	10 760 C2I/81,4	13 260 C2I/80,2	18 940 C2I/78,8	26 140 C2I/80,3	33 110 C2I/82,6	40 150 C2I/82,6	52 270 C2I/81,2			
	80	135 ICI/75,2	235 ICI/79,5	290 ICI/79,5	500 ICI/82,7	585 ICI/82,7	1 130 ICI/76,7	1 850 ICI/78,1	2 280 ICI/78,1	4 020 ICI/78,1	4 710 ICI/80,5	8 260 ICI/78,1	-	-	-	-	-			
	71	-	-	-	-	-	-	3 320 C2I/70,2	4 930 C2I/72,3	6 480 C2I/72	10 010 C2I/70,3	14 080 C2I/72,2	20 100 C2I/71,2	27 760 C2I/71,7	35 190 C2I/71,1	43 800 C2I/71,1	55 530 C2I/73,1			
	63	-	-	-	-	-	-	3 310 C2I/62	6 000 C2I/65,2	8 260 C2I/65,5	12 200 C2I/64,2	14 460 C2I/63,2	24 300 C2I/62,1	28 510 C2I/63,3	39 890 C2I/65,1	49 870 C2I/65,1	55 440 C2I/64			
	63	140 ICI/60,1	235 ICI/63,6	290 ICI/63,6	515 ICI/66,2	605 ICI/66,2	1 180 ICI/61,3	2 270 ICI/62,5	2 850 ICI/62,5	5 150 ICI/62,5	6 030 ICI/64,4	10 600 ICI/62,5	-	-	-	-	-			
	56	-	-	-	-	-	-	3 510 C2I/55,4	6 300 C2I/57	7 420 C2I/56,8	13 140 C2I/55,5	14 850 C2I/56,9	24 650 C2I/56,1	29 280 C2I/56,6	37 120 C2I/56	46 190 C2I/56	58 560 C2I/57,6			
	50	-	-	-	-	-	-	3 490 C2I/50,4	6 350 C2I/52,1	7 420 C2I/52,4	13 050 C2I/53,9	14 830 C2I/53,1	23 720 C2I/52,1	29 240 C2I/53,1	37 380 C2I/51,3	46 730 C2I/51,3	58 470 C2I/50,5			
	50	160 ICI/49	280 ICI/50,9	330 ICI/50,9	530 ICI/53	600 ICI/53	1 240 ICI/49,9	2 370 ICI/50	3 010 ICI/49,3	5 250 ICI/52,5	6 400 ICI/50,8	11 070 ICI/52,5	-	-	-	-	-			
	45	-	-	-	-	-	-	3 650 C2I/45,1	5 750 C2I/45,6	7 730 C2I/45,4	11 830 C2I/46,6	15 460 C2I/47,8	22 180 C2I/47,1	30 490 C2I/47,5	38 660 C2I/44,2	48 100 C2I/44,2	60 990 C2I/45,4			
	40	-	-	-	-	-	-	3 550 C2I/38,7	5 480 C2I/39,5	7 390 C2I/41	11 170 C2I/42,6	15 660 C2I/41,4	22 360 C2I/42,8	30 880 C2I/41,6	39 140 C2I/39,5	48 710 C2I/39,5	61 760 C2I/41			
	40	175 ICI/38,6	285 ICI/40,1	360 ICI/40,1	585 ICI/41,8	675 ICI/41,8	1 350 ICI/39,4	2 440 ICI/39,4	2 830 ICI/40,2	5 570 ICI/41,4	6 260 ICI/41,6	11 300 ICI/41,4	-	-	-	-	-			
	35,5	-	-	-	-	-	-	3 750 C2I/37,5	5 560 C2I/37,5	7 940 C2I/37,3	11 290 C2I/35,3	15 570 C2I/36,2	22 670 C2I/37,2	31 320 C2I/37,5	39 700 C2I/36,3	49 400 C2I/36,3	62 640 C2I/37,3			
	31,5	-	-	-	-	-	-	3 690 C2I/32	6 570 C2I/33,1	8 530 C2I/33,2	13 050 C2I/34,2	15 660 C2I/33,7	26 180 C2I/33,1	30 870 C2I/33,7	40 270 C2I/31,3	50 110 C2I/31,3	63 530 C2I/32,5			
31,5	175 ICI/32,1	260 ICI/33	325 ICI/33	540 ICI/31,4	595 ICI/31,4	1 200 ICI/32,8	2 300 ICI/32,4	-	4 860 ICI/31,4	-	9 990 ICI/32,7	-	-	-	-	-				
31,5	-	225 CI/31,3	250 CI/31,3	455 CI/32,5	565 CI/32,5	975 CI/30,1	1 900 CI/31,3	-	3 810 CI/30,8	-	6 730 CI/30,8	-	13 080 CI/31,7	-	-	-				

For n_1 lower than 560 min⁻¹ see page 195.

▲ Possible forced lubrication with heat exchanger: consult us.

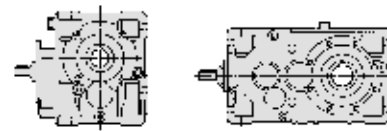
Bevel helical gear reducer selection tables



$n_{N2} \cdot L_h$ min ⁻¹ · h	i_N	P_{N2} kW																i_N	n_1	n_{N2} min ⁻¹	
		M_{N2} N m																			
		... / i																			
50	63	64	80	81	100	125	140	160	180	200	225	250	280	320	321	360					
1 400 000	28	-	-	-	-	-	-	3 860 C2I/28,6	6 920 C2I/28,9	8 170 C2I/28,8	12 550 C2I/29,5	16 340 C2I/30,3	26 790 C2I/29,9	32 220 C2I/30,1	40 850 C2I/28	50 830 C2I/28	64 450 C2I/28,8				
	25	-	-	-	-	-	-	43,8 3 670 C2I/24,5	72,7 6 220 C2I/25,1	86 7 630 C2I/26	129 11 890 C2I/27 ▲	182 16 300 C2I/26,3 ▲	- 26 050 C2I/27,2	- 32 680 C2I/26,4	- 41 430 C2I/25,1	- 51 550 C2I/25,1	- 65 360 C2I/26	25	2800	112	
	25	1,79 145 CI/24,1	2,74 235 CI/25	3,44 295 CI/25	5,94 525 CI/26	6,85 605 CI/26	12,8 1 050 CI/24,1	25,7 2 190 CI/25	-	51,6 4 330 CI/24,6	-	103 8 660 CI/24,6	-	- 17 730 CI/25,4	-	-	-	25	2800		
	22,4	-	-	-	-	-	-	-	43,2 3 930 C2I/23,8	67,2 6 100 C2I/23,8	92,1 8 320 C2I/23,7	139 11 900 C2I/22,4	188 16 470 C2I/23	- 23 770 C2I/23,6	- 32 810 C2I/23,8	- 41 610 C2I/23	- 51 790 C2I/23	- 65 640 C2I/23,7	22,4	2500	
	20	-	-	-	-	-	-	-	39,9 3 470 C2I/20,4	67,2 5 900 C2I/20,6	85,2 7 750 C2I/21,4	137 11 970 C2I/20,5	170 14 450 C2I/19,9	263 24 080 C2I/21,5 ▲	335 29 770 C2I/20,8 ▲	- 42 160 C2I/20,6	- 52 330 C2I/20,6	- 61 060 C2I/21,4	20	2240	
	20	1,79 145 CI/19,3	2,96 255 CI/20	3,64 310 CI/20	6,06 540 CI/20,8	7 620 CI/20,8	13,7 1 130 CI/19,3	26 2 220 CI/20	37,5 3 200 CI/20	57,7 4 840 CI/19,7	73,9 6 390 CI/20,3	119 9 950 CI/19,7	148 12 780 CI/20,3	230 19 910 CI/20,3	296 25 250 CI/20	- 32 640 CI/19,7	- 41 860 CI/19,7	- 49 810 CI/20,3	20	2240	
	18	-	-	-	-	-	-	-	38,1 3 280 CI/18	60 5 160 CI/18	76,2 6 790 CI/18,7	119 10 270 CI/18	151 13 450 CI/18,7	239 20 430 CI/17,9	302 25 990 CI/18	366 31 420 CI/18	462 39 670 CI/18	600 52 700 CI/18,4	18	2000	
	16	1,82 145 CI/15,2	3,08 260 CI/15,8	3,78 315 CI/15,8	6,3 550 CI/16,4	7,28 635 CI/16,4	14 1 130 CI/15,2	29,6 2 470 CI/15,8	39,1 3 270 CI/15,8	59,7 4 910 CI/15,5	81,7 6 940 CI/16	123 10 130 CI/15,5	162 13 790 CI/16	237 20 170 CI/16	330 27 620 CI/15,8	381 32 870 CI/16,3	475 41 000 CI/16,3	620 52 620 CI/16	16	1800	
	14	-	-	-	-	-	-	-	41 3 470 CI/14,2	64,1 5 430 CI/14,2	82 7 200 CI/14,7	131 11 090 CI/14,2	161 14 180 CI/14,7	264 22 190 CI/14,1	323 27 340 CI/14,2	420 35 570 CI/14,2	498 42 210 CI/14,2	640 55 460 CI/14,5	14	1600	
	12,5	1,9 160 CI/12,4	3,42 295 CI/12,6	4,33 370 CI/12,6	7,28 650 CI/13,1	8,42 755 CI/13,1	15,3 1 290 CI/12,4	31 2 670 CI/12,6	36,4 3 200 CI/12,9	63,8 5 670 CI/13	72,9 6 510 CI/13,1	128 11 340 CI/13	151 13 250 CI/12,8	255 21 950 CI/12,6	287 25 170 CI/12,9	389 34 050 CI/12,8	476 41 690 CI/12,8	569 49 000 CI/12,6	12,5	1400	
	11,2	-	-	-	-	-	-	-	42,6 3 660 CI/11,3	57,6 5 020 CI/11,4	87,2 7 780 CI/11,7	115 9 900 CI/11,3	174 15 470 CI/11,7	230 20 050 CI/11,4	347 29 840 CI/11,3	411 34 640 CI/11	513 43 300 CI/11	644 56 560 CI/11,5	11,2	1250	
	10	1,79 155 CI/10,3	3,62 310 CI/10	4,42 375 CI/10	7,34 650 CI/10,4	8,5 755 CI/10,4	15,9 1 330 CI/9,81	31,3 2 670 CI/10	39,7 3 450 CI/10,2	61,3 5 400 CI/10,3	79,6 7 050 CI/10,4	128 11 250 CI/10,3	159 13 790 CI/10,2	252 21 490 CI/10	314 27 290 CI/10,2	442 38 320 CI/10,2	541 46 860 CI/10,2	620 52 890 CI/10	10	1120	
	9	-	-	-	-	-	-	-	42,3 3 640 CI/9	63,6 5 490 CI/9,04	84,6 7 540 CI/9,33	127 10 860 CI/8,93	167 14 850 CI/9,33	253 21 870 CI/9,04	333 28 650 CI/9	447 37 370 CI/8,75	560 46 790 CI/8,75	644 56 560 CI/9,2	9	1000	
	8	1,97 165 CI/7,85	3,54 300 CI/8	4,44 375 CI/8	7,37 650 CI/8,33	8,54 755 CI/8,33	15,8 1 310 CI/7,85	31,4 2 670 CI/8	38,4 3 320 CI/8,15	61,6 5 400 CI/8,27	76,9 6 780 CI/8,31	130 11 410 CI/8,27	151 13 080 CI/8,14	230 20 050 CI/8,21	303 26 200 CI/8,15	406 33 740 CI/7,83	509 42 310 CI/7,83	600 50 890 CI/8	8	900	
	6,3	1,85 160 CI/6,53	3,06 270 CI/6,57	3,82 340 CI/6,57	6,37 535 CI/6,27	8,27 695 CI/6,27	12,6 1 100 CI/6,53	28,4 2 510 CI/6,57	-	54,6 4 600 CI/6,27	-	110 9 680 CI/6,53	-	217 19 150 CI/6,57	-	386 32 530 CI/6,27	482 40 660 CI/6,27	-	6,3	710	
5	-	-	-	-	-	-	24,1 2 070 CI/5,06	-	44,1 3 670 CI/4,89	-	93,3 8 130 CI/5,11	-	180 15 490 CI/5,06	-	310 25 880 CI/4,89	388 32 340 CI/4,89	-	5	560		
1 250 000	125	-	-	-	-	-	-	2 750 C2I/123	5 300 C2I/129	6 230 C2I/130	10 600 C2I/127	12 070 C2I/125	18 070 C2I/123	21 550 C2I/125	31 760 C2I/129	39 700 C2I/129	42 930 C2I/127				
	125	-	-	-	-	1 030 ICI/123	2 060 ICI/127	2 510 ICI/127	4 500 ICI/126	6 260 ICI/130	9 250 ICI/126	-	-	-	-	-	-				

For n_1 lower than 560 min⁻¹ see page 195.
 ▲ Possible forced lubrication with heat exchanger: consult us.

Bevel helical gear reducer selection tables

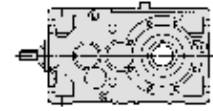
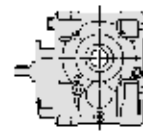


$n_{N2} \cdot L_h$ min ⁻¹ · h	i_N	P_{N2} kW																i_N	n_1	n_{N2}		
		M_{N2} N m																				
		... / i																				
		50	63	64	80	81	100	125	140	160	180	200	225	250	280	320	321	360				
1 250 000	100	-	-	-	-	-	-	-	3 030 C2I/98,2	5 600 C2I/103	6 610 C2I/104	11 200 C2I/102	12 890 C2I/100	19 170 C2I/98,5	25 410 C2I/100	34 450 C2I/103	43 070 C2I/103	50 820 C2I/102				
	100	-	205 ICI/99,4	250 ICI/99,4	450 ICI/103	500 ICI/103	1 180 ICI/100	2 150 ICI/102	2 610 ICI/100	5 460 ICI/106	6 150 ICI/102	11 110 ICI/106	-	-	-	-	-	-	-			
	90	-	-	-	-	-	-	-	3 220 C2I/87,8	5 340 C2I/90,4	6 350 C2I/90	10 430 C2I/87,9	13 640 C2I/90,3	19 470 C2I/89	26 890 C2I/89,7	34 090 C2I/88,8	42 420 C2I/88,8	53 790 C2I/91,4				
	80	-	-	-	-	-	-	-	3 220 C2I/78,6	5 610 C2I/82,7	6 840 C2I/83,1	11 150 C2I/81,4	13 690 C2I/80,2	19 550 C2I/78,8	26 980 C2I/80,3	34 180 C2I/82,6	41 460 C2I/82,6	53 960 C2I/81,2				
	80	140 ICI/75,2	235 ICI/79,5	295 ICI/79,5	515 ICI/82,7	605 ICI/82,7	1 180 ICI/76,7	1 920 ICI/78,1	2 360 ICI/78,1	4 150 ICI/78,1	4 790 ICI/80,5	8 520 ICI/78,1	-	-	-	-	-	-	-			
	71	-	-	-	-	-	-	-	3 410 C2I/70,2	5 090 C2I/72,3	6 660 C2I/72	10 290 C2I/70,3	14 460 C2I/72,2	20 650 C2I/71,2	28 530 C2I/71,7	36 160 C2I/71,1	45 000 C2I/71,1	57 050 C2I/73,1				
	63	-	-	-	-	-	-	-	3 400 C2I/62	6 150 C2I/65,2	8 560 C2I/65,5	12 500 C2I/64,2	14 980 C2I/63,2	25 000 C2I/62,1	29 550 C2I/63,3	41 350 C2I/65,1	51 690 C2I/65,1	56 910 C2I/64				
	63	145 ICI/60,1	235 ICI/63,6	295 ICI/63,6	520 ICI/66,2	610 ICI/66,2	1 220 ICI/61,3	2 350 ICI/62,5	2 930 ICI/62,5	5 300 ICI/62,5	6 220 ICI/64,4	11 150 ICI/62,5	-	-	-	-	-	-	-			
	56	-	-	-	-	-	-	-	3 600 C2I/55,4	6 500 C2I/57	7 680 C2I/56,8	13 200 C2I/55,5	15 250 C2I/56,9	25 530 C2I/56,1	30 080 C2I/56,6	38 140 C2I/56	47 460 C2I/56	60 170 C2I/57,6				
	50	-	-	-	-	-	-	-	3 540 C2I/50,4	6 570 C2I/52,1	7 520 C2I/52,4	13 100 C2I/53,9	15 030 C2I/53,1	24 540 C2I/52,1	29 730 C2I/53,1	38 680 C2I/51,3	48 350 C2I/51,3	59 270 C2I/50,5				
	50	160 ICI/49	285 ICI/50,9	335 ICI/50,9	540 ICI/53	610 ICI/53	1 240 ICI/49,9	2 410 ICI/50	3 050 ICI/49,3	5 430 ICI/52,5	6 620 ICI/50,8	11 110 ICI/52,5	-	-	-	-	-	-	-			
	45	-	-	-	-	-	-	-	3 700 C2I/45,1	5 930 C2I/45,6	7 830 C2I/45,4	12 210 C2I/46,6	15 660 C2I/47,8	22 890 C2I/47,1	30 880 C2I/47,5	39 140 C2I/44,2	48 710 C2I/44,2	61 760 C2I/45,4				
	40	-	-	-	-	-	-	-	3 600 C2I/38,7	5 560 C2I/39,5	7 500 C2I/41	11 570 C2I/42,6	15 880 C2I/41,4	22 670 C2I/42,8	31 320 C2I/41,6	39 700 C2I/39,5	49 400 C2I/39,5	62 640 C2I/41				
	40	175 ICI/38,6	290 ICI/40,1	360 ICI/40,1	590 ICI/41,8	685 ICI/41,8	1 390 ICI/39,4	2 470 ICI/39,4	2 870 ICI/40,2	5 770 ICI/41,4	6 350 ICI/41,6	11 710 ICI/41,4	-	-	-	-	-	-	-			
	35,5	-	-	-	-	-	-	-	3 800 C2I/37,5	5 640 C2I/37,5	8 050 C2I/37,3	11 450 C2I/35,3	15 790 C2I/36,2	23 000 C2I/37,2	31 770 C2I/37,5	40 270 C2I/36,3	50 110 C2I/36,3	63 530 C2I/37,3				
	31,5	-	-	-	-	-	-	-	3 740 C2I/32	6 590 C2I/33,1	8 840 C2I/33,2	13 100 C2I/34,2	15 890 C2I/33,7	26 280 C2I/33,1	31 320 C2I/33,7	40 850 C2I/31,3	50 830 C2I/31,3	64 450 C2I/32,5				
31,5	175 ICI/32,1	270 ICI/33	340 ICI/33	550 ICI/31,4	600 ICI/31,4	1 250 ICI/32,8	2 330 ICI/32,4	-	4 930 ICI/31,4	-	10 130 ICI/32,7	-	-	-	-	-	-	-				
31,5	-	225 CI/31,3	250 CI/31,3	455 CI/32,5	565 CI/32,5	1000 CI/30,1	1 950 CI/31,3	-	3 830 CI/30,8	-	6 970 CI/30,8	-	13 560 CI/31,7	-	-	-	-	-				

For n_1 lower than 560 min⁻¹ see page 195.

▲ Possible forced lubrication with heat exchanger: consult us.

Bevel helical gear reducer selection tables

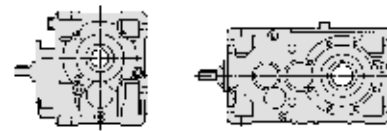


$n_{N2} \cdot L_h$ min ⁻¹ · h	i_N	P_{N2} kW M_{N2} N m ... / i																i_N	n_1 min ⁻¹	n_{N2}	
		50	63	64	80	81	100	125	140	160	180	200	225	250	280	320	321				360
1 250 000	28	-	-	-	-	-	-	-	40,1 3 910 C2I/28,6	72,7 7 170 C2I/28,9	84,3 8 290 C2I/28,8	129 13 000 C2I/29,5▲	160 16 570 C2I/30,3▲	-	-	-	-	-	28	2800	100
	25	-	-	-	-	-	-	-	39,7 3 720 C2I/24,5	67,2 6 430 C2I/25,1	77,8 7 730 C2I/26	119 12 300 C2I/27	165 16 520 C2I/26,3	-	-	-	-	-	25	2500	
	25	1,6 145 CI/24,1	2,47 235 CI/25	3,11 295 CI/25	5,38 535 CI/26	6,13 610 CI/26	11,5 1 050 CI/24,1	23,2 2 220 CI/25	-	46,7 4 390 CI/24,6	-	93,4 8 780 CI/24,6	-	-	-	-	-	-	25	2500	
	22,4	-	-	-	-	-	-	-	39,2 3 980 C2I/23,8	62,2 6 300 C2I/23,8	83,6 8 430 C2I/23,7	129 12 300 C2I/22,4	170 16 680 C2I/23	241 24 300 C2I/23,6▲	328 33 240 C2I/23,8▲	-	-	-	22,4	2240	
	20	-	-	-	-	-	-	-	36,1 3 520 C2I/20,4	60,8 5 980 C2I/20,6	77,1 7 860 C2I/21,4	124 12 140 C2I/20,5	154 14 650 C2I/19,9	238 24 410 C2I/21,5	303 30 170 C2I/20,8	-	-	-	20	2000	
	20	1,6 145 CI/19,3	2,68 255 CI/20	3,3 315 CI/20	5,49 545 CI/20,8	6,34 630 CI/20,8	12,7 1 170 CI/19,3	23,6 2 250 CI/20	33,9 3 240 CI/20	52,2 4 910 CI/19,7	66,9 6 480 CI/20,3	107 10 090 CI/19,7	134 12 950 CI/20,3	208 20 180 CI/20,3	268 25 590 CI/20	352 33 080 CI/19,7	461 43 310 CI/19,7	521 50 490 CI/20,3	20	2000	
	18	-	-	-	-	-	-	-	34,7 3 320 CI/18	54,7 5 220 CI/18	69,5 6 880 CI/18,7	109 10 400 CI/18	138 13 630 CI/18,7	218 20 690 CI/17,9	276 26 320 CI/18	333 31 820 CI/18	428 40 860 CI/18	547 53 370 CI/18,4	18	1800	
	16	1,62 145 CI/15,2	2,78 260 CI/15,8	3,41 320 CI/15,8	5,68 555 CI/16,4	6,56 640 CI/16,4	12,7 1 150 CI/15,2	26,7 2 510 CI/15,8	35,3 3 320 CI/15,8	54,9 5 090 CI/15,5	73,7 7 030 CI/16	113 10 490 CI/15,5	148 14 130 CI/16	214 20 460 CI/16	298 28 010 CI/15,8	343 33 340 CI/16,3	428 41 580 CI/16,3	559 53 360 CI/16	16	1600	
	14	-	-	-	-	-	-	-	36,4 3 530 CI/14,2	57 5 510 CI/14,2	72,9 7 320 CI/14,7	116 11 270 CI/14,2	143 14 410 CI/14,7	235 22 540 CI/14,1	287 27 780 CI/14,2	373 36 140 CI/14,2	443 42 890 CI/14,2	569 56 350 CI/14,5	14	1400	
	12,5	1,73 165 CI/12,4	3,07 295 CI/12,6	3,88 375 CI/12,6	6,52 655 CI/13,1	7,55 760 CI/13,1	13,7 1 290 CI/12,4	27,9 2 680 CI/12,6	32,9 3 230 CI/12,9	57,6 5 740 CI/13	65,7 6 580 CI/13,1	115 11 460 CI/13	139 13 660 CI/12,8	230 22 180 CI/12,6	259 25 430 CI/12,9	351 34 380 CI/12,8	430 42 100 CI/12,8	513 49 490 CI/12,6	12,5	1250	
	11,2	-	-	-	-	-	-	-	38,4 3 680 CI/11,3	52,2 5 080 CI/11,4	78,7 7 830 CI/11,7	104 10 000 CI/11,3	157 15 610 CI/11,7	208 20 240 CI/11,4	314 30 120 CI/11,3	372 34 970 CI/11	464 43 710 CI/11	582 57 100 CI/11,5	11,2	1120	
	10	1,65 160 CI/10,3	3,24 310 CI/10	3,96 380 CI/10	6,58 655 CI/10,4	7,61 755 CI/10,4	14,3 1 340 CI/9,81	28,1 2 680 CI/10	35,4 3 450 CI/10,2	55,3 5 450 CI/10,3	71,8 7 120 CI/10,4	118 11 640 CI/10,3	147 14 270 CI/10,2	227 21 690 CI/10	283 27 550 CI/10,2	399 38 700 CI/10,2	487 47 290 CI/10,2	560 53 470 CI/10	10	1000	
	9	-	-	-	-	-	-	-	38,4 3 670 CI/9	57,8 5 540 CI/9,04	76,9 7 610 CI/9,33	118 11 200 CI/8,93	151 15 000 CI/9,33	230 22 060 CI/9,04	303 28 920 CI/9	406 37 680 CI/8,75	509 47 260 CI/8,75	585 57 080 CI/9,2	9	900	
	8	1,82 170 CI/7,85	3,16 300 CI/8	3,96 380 CI/8	6,58 655 CI/8,33	7,61 755 CI/8,33	14,1 1 320 CI/7,85	28,1 2 680 CI/8	34,5 3 360 CI/8,15	55,3 5 450 CI/8,27	69 6 850 CI/8,31	120 11 820 CI/8,27	136 13 220 CI/8,14	206 20 240 CI/8,21	272 26 470 CI/8,15	364 34 050 CI/7,83	458 42 790 CI/7,83	538 51 400 CI/8	8	800	
	6,3	1,65 165 CI/6,53	2,81 280 CI/6,57	3,52 350 CI/6,57	5,68 540 CI/6,27	7,37 700 CI/6,27	11,2 1 110 CI/6,53	26,1 2 600 CI/6,57	-	49 4 660 CI/6,27	-	101 10 040 CI/6,53	-	194 19 340 CI/6,57	-	346 32 850 CI/6,27	432 41 060 CI/6,27	-	6,3	630	
1 120 000	160	-	-	-	-	-	-	2 900 C2I/151	4 370 C2I/154	6 300 C2I/158	9 000 C2I/151	12 500 C2I/156	18 000 C2I/156	24 260 C2I/154	31 500 C2I/156	37 500 C2I/156	47 850 C2I/161				
	160	-	-	-	-	-	1000 ICI/154	2 000 ICI/159	2 120 ICI/159	4 370 ICI/157	5 100 ICI/162	7 420 ICI/157	-	-	-	-	-				
	125	-	-	-	-	-	-	2 840 C2I/123	5 450 C2I/129	6 440 C2I/130	10 900 C2I/127	12 470 C2I/125	18 680 C2I/123	22 140 C2I/125	32 820 C2I/129	41 030 C2I/129	44 110 C2I/127				

For n_1 lower than 560 min⁻¹ see page 195.

▲ Possible forced lubrication with heat exchanger: consult us.

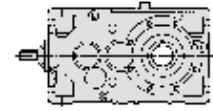
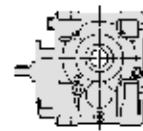
Bevel helical gear reducer selection tables



$n_{N2} \cdot L_h$ min ⁻¹ · h	i_N	P_{N2} kW																i_N	n_1	n_{N2} min ⁻¹	
		M_{N2} N m																			
		50	63	64	80	81	100	125	140	160	180	200	225	250	280	320	321				360
1 120 000	125	-	-	-	-	-	1 060 ICI/123	2 120 ICI/127	2 600 ICI/127	4 620 ICI/126	6 470 ICI/130	9 500 ICI/126	-	-	-	-	-				
	100	-	-	-	-	-	-	-	3 120 C2I/98,2	5 600 C2I/103	6 820 C2I/104	11 500 C2I/102	13 260 C2I/100	19 790 C2I/98,5	26 140 C2I/100	35 560 C2I/103	44 450 C2I/103	52 270 C2I/102			
	100	-	210 ICI/99,4	255 ICI/99,4	460 ICI/103	515 ICI/103	1 250 ICI/100	2 220 ICI/102	2 690 ICI/100	5 630 ICI/106	6 300 ICI/102	11 150 ICI/106	-	-	-	-	-	-	-		
	90	-	-	-	-	-	-	-	3 320 C2I/87,8	5 530 C2I/90,4	6 560 C2I/90	10 810 C2I/87,9	14 080 C2I/90,3	20 100 C2I/89	27 760 C2I/89,7	35 190 C2I/88,8	43 800 C2I/88,8	55 530 C2I/91,4			
	80	-	-	-	-	-	-	-	3 310 C2I/78,6	5 810 C2I/82,7	7 030 C2I/83,1	11 550 C2I/81,4	14 060 C2I/80,2	20 090 C2I/78,8	27 720 C2I/80,3	35 110 C2I/82,6	42 970 C2I/82,6	55 440 C2I/81,2			
	80	140 ICI/75,2	235 ICI/79,5	295 ICI/79,5	520 ICI/82,7	610 ICI/82,7	1 190 ICI/76,7	1 990 ICI/78,1	2 420 ICI/78,1	4 260 ICI/78,1	4 870 ICI/80,5	8 760 ICI/78,1	-	-	-	-	-	-	-		
	71	-	-	-	-	-	-	-	3 510 C2I/70,2	5 270 C2I/72,3	6 840 C2I/72	10 560 C2I/70,3	14 850 C2I/72,2	21 200 C2I/71,2	29 280 C2I/71,7	37 120 C2I/71,1	46 190 C2I/71,1	58 560 C2I/73,1			
	63	-	-	-	-	-	-	-	3 490 C2I/62	6 300 C2I/65,2	8 870 C2I/65,5	13 120 C2I/64,2	15 520 C2I/63,2	26 330 C2I/62,1	30 610 C2I/63,3	42 840 C2I/65,1	53 550 C2I/65,1	58 470 C2I/64			
	63	150 ICI/60,1	235 ICI/63,6	295 ICI/63,6	520 ICI/66,2	610 ICI/66,2	1 250 ICI/61,3	2 430 ICI/62,5	3 010 ICI/62,5	5 540 ICI/62,5	6 440 ICI/64,4	11 190 ICI/62,5	-	-	-	-	-	-	-		
	56	-	-	-	-	-	-	-	3 650 C2I/55,4	6 700 C2I/57	7 890 C2I/56,8	13 600 C2I/55,5	15 460 C2I/56,9	26 420 C2I/56,1	30 490 C2I/56,6	38 660 C2I/56	48 100 C2I/56	60 990 C2I/57,6			
	50	-	-	-	-	-	-	-	3 580 C2I/50,4	6 610 C2I/52,1	7 610 C2I/52,4	13 140 C2I/53,9	15 300 C2I/53,1	25 330 C2I/52,1	30 690 C2I/53,1	39 920 C2I/51,3	49 900 C2I/51,3	60 020 C2I/50,5			
	50	160 ICI/49	285 ICI/50,9	335 ICI/50,9	545 ICI/53	630 ICI/53	1 250 ICI/49,9	2 440 ICI/50	3 090 ICI/49,3	5 610 ICI/52,5	6 830 ICI/50,8	11 150 ICI/52,5	-	-	-	-	-	-	-		
	45	-	-	-	-	-	-	-	3 750 C2I/45,1	6 150 C2I/45,6	7 940 C2I/45,4	12 650 C2I/46,6	15 880 C2I/47,8	23 710 C2I/47,1	31 320 C2I/47,5	39 700 C2I/44,2	49 400 C2I/44,2	62 640 C2I/45,4			
	40	-	-	-	-	-	-	-	3 660 C2I/38,7	5 640 C2I/39,5	7 600 C2I/41	11 990 C2I/42,6	16 110 C2I/41,4	23 000 C2I/42,8	31 770 C2I/41,6	40 270 C2I/39,5	50 110 C2I/39,5	63 530 C2I/41			
	40	175 ICI/38,6	290 ICI/40,1	360 ICI/40,1	600 ICI/41,8	695 ICI/41,8	1 450 ICI/39,4	2 510 ICI/39,4	2 910 ICI/40,2	5 980 ICI/41,4	6 440 ICI/41,6	12 140 ICI/41,4	-	-	-	-	-	-	-		
	35,5	-	-	-	-	-	-	-	3 860 C2I/37,5	5 720 C2I/37,5	8 170 C2I/37,3	11 620 C2I/35,3	16 020 C2I/36,2	23 330 C2I/37,2	32 220 C2I/37,5	40 850 C2I/36,3	50 830 C2I/36,3	64 450 C2I/37,3			
31,5	-	-	-	-	-	-	-	34,8 C2I/32	58,7 C2I/33,1	78,7 C2I/33,2	113 C2I/34,2▲	140 C2I/33,7▲	-	-	-	-	-	-	31,5	2800	90
31,5	1,64 180	2,5 280	3,12 350	5,19 555	5,7 610	11,6 1 290	21,4 2 370	-	46,7 5 000	-	92,4 10 300	-	-	-	-	-	-	-	31,5	2800	

For n_1 lower than 560 min⁻¹ see page 195.
 ▲ Possible forced lubrication with heat exchanger: consult us.

Bevel helical gear reducer selection tables

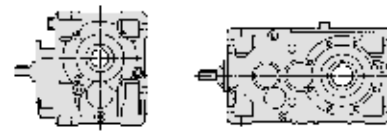


$n_{N2} \cdot L_h$ min ⁻¹ · h	i_N	P_{N2} kW																i_N	n_1 min ⁻¹	n_{N2} min ⁻¹	
		M_{N2} N m																			
		... / i																			
50	63	64	80	81	100	125	140	160	180	200	225	250	280	320	321	360					
1 120 000	31,5	-	2,11 225 CI/31,3	2,34 250 CI/31,3	4,12 455 CI/32,5	5,13 570 CI/32,5	10 1 030 CI/30,1	18,7 2 000 CI/31,3	-	36,6 3 840 CI/30,8	-	68,8 7 220 CI/30,8	-	-	14 040 CI/31,7	-	-	-	31,5	2800	90
	28	-	-	-	-	-	-	36,3 3 970 C2I/28,6	65,2 7 200 C2I/28,9	76,3 8 400 C2I/28,8	119 13 450 C2I/29,5	145 16 800 C2I/30,3	-	-	-	-	-	28	2500		
	25	-	-	-	-	-	-	36 3 770 C2I/24,5	62,2 6 650 C2I/25,1	70,7 7 830 C2I/26	110 12 710 C2I/27	149 16 740 C2I/26,3	241 27 850 C2I/27,2 ▲	299 33 560 C2I/26,4 ▲	-	-	-	25	2240		
	25	1,44 150 CI/24,1	2,24 240 CI/25	2,83 300 CI/25	4,88 540 CI/26	5,56 615 CI/26	10,3 1 060 CI/24,1	21,5 2 290 CI/25	-	43,1 4 530 CI/24,6	-	84,8 8 890 CI/24,6	-	168 18 200 CI/25,4	-	-	-	-	25	2240	
	22,4	-	-	-	-	-	-	-	35,5 4 030 C2I/23,8	57,5 6 520 C2I/23,8	75,7 8 550 C2I/23,7	119 12 720 C2I/22,4	154 16 910 C2I/23	223 25 150 C2I/23,6	296 33 690 C2I/23,8	-	-	-	22,4	2000	
	20	-	-	-	-	-	-	-	32,9 3 570 C2I/20,4	55,5 6 060 C2I/20,6	70,2 7 960 C2I/21,4	113 12 290 C2I/20,5	140 14 840 C2I/19,9	217 24 720 C2I/21,5	277 30 560 C2I/20,8	396 43 270 C2I/20,6 ▲	492 53 710 C2I/20,6 ▲	553 62 670 C2I/21,4 ▲	20	1800	
	20	1,45 150 CI/19,3	2,44 260 CI/20	3 320 CI/20	5 550 CI/20,8	5,78 640 CI/20,8	11,8 1 200 CI/19,3	21,5 2 280 CI/20	30,9 3 280 CI/20	47,6 4 970 CI/19,7	60,9 6 560 CI/20,3	97,8 10 220 CI/19,7	122 13 120 CI/20,3	190 20 430 CI/20,3	244 25 920 CI/20	321 33 500 CI/19,7	428 44 700 CI/19,7	475 51 120 CI/20,3	20	1800	
	18	-	-	-	-	-	-	-	31,3 3 360 CI/18	49,3 5 300 CI/18	62,6 6 980 CI/18,7	98,2 10 550 CI/18	124 13 820 CI/18,7	197 20 980 CI/17,9	248 26 690 CI/18	300 32 270 CI/18	394 42 330 CI/18	493 54 130 CI/18,4	18	1600	
	16	1,43 150 CI/15,2	2,47 265 CI/15,8	3,03 325 CI/15,8	5,05 565 CI/16,4	5,83 650 CI/16,4	11,5 1 200 CI/15,2	23,5 2 520 CI/15,8	31,4 3 370 CI/15,8	50 5 300 CI/15,5	65,5 7 150 CI/16	103 10 920 CI/15,5	135 14 710 CI/16	190 20 790 CI/16	265 28 460 CI/15,8	305 33 880 CI/16,3	381 42 240 CI/16,3	497 54 220 CI/16	16	1400	
	14	-	-	-	-	-	-	-	32,9 3 560 CI/14,2	51,2 5 550 CI/14,2	65,7 7 390 CI/14,7	105 11 340 CI/14,2	131 14 770 CI/14,7	211 22 680 CI/14,1	259 28 070 CI/14,2	337 36 500 CI/14,2	399 43 300 CI/14,2	513 56 910 CI/14,5	14	1250	
	12,5	1,61 170 CI/12,4	2,76 295 CI/12,6	3,49 375 CI/12,6	5,86 655 CI/13,1	6,78 760 CI/13,1	12,3 1 300 CI/12,4	25,1 2 700 CI/12,6	29,7 3 260 CI/12,9	52,2 5 800 CI/13	59,5 6 650 CI/13,1	104 11 570 CI/13	125 13 710 CI/12,8	208 22 400 CI/12,6	234 25 690 CI/12,9	317 34 700 CI/12,8	389 42 500 CI/12,8	464 49 960 CI/12,6	12,5	1120	
	11,2	-	-	-	-	-	-	-	34,5 3 710 CI/11,3	47,1 5 130 CI/11,4	70,7 7 880 CI/11,7	93,9 10 100 CI/11,3	141 15 720 CI/11,7	188 20 450 CI/11,4	283 30 410 CI/11,3	335 35 310 CI/11	419 44 140 CI/11	525 57 660 CI/11,5	11,2	1000	
	10	1,53 170 CI/10,3	2,92 310 CI/10	3,58 380 CI/10	5,94 655 CI/10,4	6,87 760 CI/10,4	13 1 350 CI/9,81	25,4 2 700 CI/10	31,9 3 450 CI/10,2	50,2 5 500 CI/10,3	65,2 7 180 CI/10,4	110 12 010 CI/10,3	132 14 270 CI/10,2	206 21 880 CI/10	257 27 800 CI/10,2	362 39 050 CI/10,2	442 47 700 CI/10,2	509 54 020 CI/10	10	900	
	9	-	-	-	-	-	-	-	34,5 3 710 CI/9	51,9 5 600 CI/9,04	69 7 690 CI/9,33	109 11 610 CI/8,93	136 15 150 CI/9,33	206 22 270 CI/9,04	272 29 220 CI/9	364 38 040 CI/8,75	458 47 790 CI/8,75	525 57 660 CI/9,2	9	800	
	8	1,66 175 CI/7,85	2,82 305 CI/8	3,53 380 CI/8	5,86 655 CI/8,33	6,78 760 CI/8,33	12,6 1 330 CI/7,85	25,3 2 720 CI/8	31,6 3 460 CI/8,15	49,6 5 510 CI/8,27	61,9 6 920 CI/8,31	110 12 250 CI/8,27	122 13 410 CI/8,14	185 20 440 CI/8,21	244 26 750 CI/8,15	326 34 370 CI/7,83	411 43 270 CI/7,83	482 51 910 CI/8	8	710	
6,3	1,47 165 CI/6,53	2,59 290 CI/6,57	3,24 365 CI/6,57	5,08 545 CI/6,27	6,58 705 CI/6,27	10 1 120 CI/6,53	24,1 2 700 CI/6,57	-	44,8 4 780 CI/6,27	-	93,3 10 400 CI/6,53	-	174 19 500 CI/6,57	-	310 33 170 CI/6,27	386 41 200 CI/6,27	-	6,3	560		
1 000 000	160	-	-	-	-	-	-	3 000 C2I/151	4 500 C2I/154	6 300 C2I/158	9 250 C2I/151	12 800 C2I/156	18 500 C2I/156	25 100 C2I/154	31 500 C2I/156	38 700 C2I/156	49 510 C2I/161				
	160	-	-	-	-	1 030 ICI/154	2 060 ICI/159	2 200 ICI/159	4 500 ICI/157	5 270 ICI/162	7 620 ICI/157	-	-	-	-	-	-				

For n_1 lower than 560 min⁻¹ see page 195.

▲ Possible forced lubrication with heat exchanger: consult us.

Bevel helical gear reducer selection tables

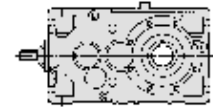
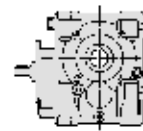


9

$n_{N2} \cdot L_h$ min ⁻¹ · h	i_N	P_{N2} kW																i_N	n_1	n_{N2} min ⁻¹
		M_{N2} N m																		
		50	63	64	80	81	100	125	140	160	180	200	225	250	280	320	321			
1 000 000	125	-	-	-	-	-	-	2 940 C2I/123	5 600 C2I/129	6 660 C2I/130	11 200 C2I/127	12 910 C2I/125	19 320 C2I/123	22 710 C2I/125	33 960 C2I/129	42 450 C2I/129	45 230 C2I/127			
	125	-	-	-	-	1 090 ICI/123	2 180 ICI/127	2 690 ICI/127	4 750 ICI/126	6 700 ICI/130	9 750 ICI/126	-	-	-	-	-	-			
	100	-	-	-	-	-	-	3 220 C2I/98,2	5 800 C2I/103	7 060 C2I/104	11 800 C2I/102	13 690 C2I/100	20 500 C2I/98,5	26 980 C2I/100	36 840 C2I/103	46 050 C2I/103	53 960 C2I/102			
	100	-	220 ICI/99,4	270 ICI/99,4	485 ICI/103	530 ICI/103	1 250 ICI/100	2 300 ICI/102	2 780 ICI/100	5 690 ICI/106	6 500 ICI/102	11 190 ICI/106	-	-	-	-	-			
	90	-	-	-	-	-	-	3 410 C2I/87,8	5 730 C2I/90,4	6 740 C2I/90	11 200 C2I/87,9	14 460 C2I/90,3	20 650 C2I/89	28 530 C2I/89,7	36 160 C2I/88,8	45 000 C2I/88,8	57 050 C2I/91,4			
	80	-	-	-	-	-	-	3 400 C2I/78,6	6 030 C2I/82,7	7 220 C2I/83,1	11 980 C2I/81,4	14 430 C2I/80,2	20 620 C2I/78,8	28 460 C2I/80,3	36 050 C2I/82,6	44 540 C2I/82,6	56 910 C2I/81,2			
	80	150 ICI/75,2	235 ICI/79,5	295 ICI/79,5	520 ICI/82,7	615 ICI/82,7	1 190 ICI/76,7	2 060 ICI/78,1	2 490 ICI/78,1	4 370 ICI/78,1	5 000 ICI/80,5	8 990 ICI/78,1	-	-	-	-	-			
	71	-	-	-	-	-	-	3 600 C2I/70,2	5 460 C2I/72,3	7 020 C2I/72	10 850 C2I/70,3	15 250 C2I/72,2	21 780 C2I/71,2	30 080 C2I/71,7	38 140 C2I/71,1	47 460 C2I/71,1	60 170 C2I/73,1			
	63	-	-	-	-	-	-	3 540 C2I/62	6 500 C2I/65,2	8 950 C2I/65,5	13 170 C2I/64,2	16 060 C2I/63,2	26 420 C2I/62,1	31 670 C2I/63,3	44 320 C2I/65,1	55 400 C2I/65,1	59 270 C2I/64			
	63	150 ICI/60,1	235 ICI/63,6	295 ICI/63,6	520 ICI/66,2	615 ICI/66,2	1 280 ICI/61,3	2 520 ICI/62,5	3 050 ICI/62,5	5 560 ICI/62,5	6 670 ICI/64,4	11 230 ICI/62,5	-	-	-	-	-			
	56	-	-	-	-	-	-	3 700 C2I/55,4	6 700 C2I/57	7 920 C2I/56,8	13 600 C2I/55,5	15 660 C2I/56,9	27 020 C2I/56,1	30 880 C2I/56,6	39 370 C2I/56	49 210 C2I/56	61 760 C2I/57,6			
	50	-	-	-	-	-	-	3 630 C2I/50,4	6 640 C2I/52,1	7 850 C2I/52,4	13 190 C2I/53,9	15 850 C2I/53,1	26 240 C2I/52,1	31 790 C2I/53,1	41 360 C2I/51,3	51 690 C2I/51,3	60 870 C2I/50,5			
	50	160 ICI/49	285 ICI/50,9	335 ICI/50,9	555 ICI/53	655 ICI/53	1 250 ICI/49,9	2 470 ICI/50	3 130 ICI/49,3	5 690 ICI/52,5	7 080 ICI/50,8	11 190 ICI/52,5	-	-	-	-	-			
	45	-	-	-	-	-	-	3 800 C2I/45,1	6 370 C2I/45,6	8 050 C2I/45,4	13 110 C2I/46,6	16 110 C2I/47,8	24 580 C2I/47,1	31 770 C2I/47,5	40 270 C2I/44,2	50 110 C2I/44,2	63 530 C2I/45,4			
	40	-	-	-	-	-	-	3 710 C2I/38,7	5 720 C2I/39,5	7 710 C2I/41	12 430 C2I/42,6	16 340 C2I/41,4	23 330 C2I/42,8	32 220 C2I/41,6	40 850 C2I/39,5	50 830 C2I/39,5	64 450 C2I/41			
	40	175 ICI/38,6	290 ICI/40,1	365 ICI/40,1	610 ICI/41,8	705 ICI/41,8	1 500 ICI/39,4	2 540 ICI/39,4	2 950 ICI/40,2	6 200 ICI/41,4	6 530 ICI/41,6	12 470 ICI/41,4	-	-	-	-	-			
	35,5	-	-	-	-	-	-	30,6 C2I/37,5	45,4 C2I/37,5	65,1 C2I/37,3	97,9 C2I/35,3	131 C2I/36,2	186 C2I/37,2	255 C2I/37,5	-	-	-	35,5	2800	80
31,5	-	-	-	-	-	-	31,5 C2I/32	52,6 C2I/33,1	70,5 C2I/33,2	101 C2I/34,2	127 C2I/33,7	-	-	-	-	-	31,5	2500		

For n_1 lower than 560 min⁻¹ see page 195.

Bevel helical gear reducer selection tables

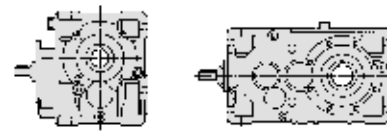


$n_{N2} \cdot L_h$ min ⁻¹ · h	i_N	P_{N2} kW M_{N2} N m ... / i																i_N	n_1 min ⁻¹	n_{N2} min ⁻¹	
		50	63	64	80	81	100	125	140	160	180	200	225	250	280	320	321				360
		1,5 185 ICI/32,1	2,31 290 ICI/33	2,89 365 ICI/33	4,7 565 ICI/31,4	5,16 620 ICI/31,4	10,7 1 340 ICI/32,8	19,4 2 400 ICI/32,4	— — —	42,3 5 070 ICI/31,4	— — —	85,3 10 660 ICI/32,7	— — —	— — —	— — —	— — —	— — —				— — —
1 000 000	31,5	—	—	—	—	—	—	—	—	—	—	—	—	—	—	—	—	31,5	2500	80	
	31,5	—	1,89 225 CI/31,3	2,1 250 CI/31,3	3,69 460 CI/32,5	4,59 570 CI/32,5	8,97 1 030 CI/30,1	16,8 2 010 CI/31,3	—	32,8 3 860 CI/30,8	—	63,6 7 470 CI/30,8	—	—	—	—	—	31,5	2500		
	28	—	—	—	—	—	—	33 4 020 C2I/28,6	58,6 7 230 C2I/28,9	69,3 8 510 C2I/28,8	110 13 900 C2I/29,5	132 17 020 C2I/30,3	212 27 070 C2I/29,9▲	261 33 560 C2I/30,1▲	— 42 540 C2I/28	— 52 940 C2I/28	— 67 130 C2I/28,8	28	2240		
	25	—	—	—	—	—	—	32,6 3 820 C2I/24,5	57,5 6 880 C2I/25,1	64 7 940 C2I/26	102 13 150 C2I/27	135 16 960 C2I/26,3	219 28 350 C2I/27,2	270 34 020 C2I/26,4	— 43 120 C2I/25,1	— 53 670 C2I/25,1	— 68 040 C2I/26	25	2000		
	25	1,29 150 CI/24,1	2,03 240 CI/25	2,56 305 CI/25	4,42 550 CI/26	5,03 625 CI/26	9,23 1 060 CI/24,1	19,8 2 370 CI/25	—	39,8 4 680 CI/24,6	—	76,7 9 020 CI/24,6	—	152 18 450 CI/25,4	—	—	—	25	2000		
	22,4	—	—	—	—	—	—	32,3 4 080 C2I/23,8	53,4 6 730 C2I/23,8	69 8 650 C2I/23,7	111 13 130 C2I/22,4	140 17 130 C2I/23	207 25 950 C2I/23,6	270 34 120 C2I/23,8	355 43 270 C2I/23▲	441 53 870 C2I/23▲	544 68 260 C2I/23,7▲	22,4	1800		
	20	—	—	—	—	—	—	29,7 3 620 C2I/20,4	50 6 140 C2I/20,6	63,3 8 070 C2I/21,4	102 12 460 C2I/20,5	127 15 050 C2I/19,9	196 25 070 C2I/21,5	249 30 990 C2I/20,8	357 43 880 C2I/20,6	443 54 470 C2I/20,6	499 63 560 C2I/21,4	20	1600		
	20	1,29 150 CI/19,3	2,2 265 CI/20	2,71 325 CI/20	4,51 560 CI/20,8	5,21 645 CI/20,8	10,8 1 250 CI/19,3	19,4 2 310 CI/20	27,9 3 330 CI/20	42,9 5 040 CI/19,7	54,9 6 650 CI/20,3	88,1 10 360 CI/19,7	110 13 300 CI/20,3	171 20 720 CI/20,3	220 26 280 CI/20	289 33 970 CI/19,7	394 46 310 CI/19,7	428 51 850 CI/20,3	20		1600
	18	—	—	—	—	—	—	27,8 3 420 CI/18	43,8 5 380 CI/18	55,7 7 090 CI/18,7	87,3 10 720 CI/18	110 14 000 CI/18,7	175 21 320 CI/17,9	221 27 120 CI/18	267 32 790 CI/18	359 44 060 CI/18	434 54 500 CI/18,4	18	1400		
	16	1,28 150 CI/15,2	2,21 265 CI/15,8	2,72 325 CI/15,8	4,52 565 CI/16,4	5,22 655 CI/16,4	10,7 1 240 CI/15,2	21 2 530 CI/15,8	28,3 3 420 CI/15,8	46,2 5 480 CI/15,5	58,9 7 190 CI/16	94,6 11 230 CI/15,5	125 15 220 CI/16	172 21 000 CI/16	238 28 650 CI/15,8	275 34 200 CI/16,3	343 42 640 CI/16,3	446 54 490 CI/16	16		1250
	14	—	—	—	—	—	—	29,7 3 600 CI/14,2	46,1 5 580 CI/14,2	59,5 7 470 CI/14,7	94,2 11 400 CI/14,2	122 15 270 CI/14,7	190 22 800 CI/14,1	234 28 360 CI/14,2	304 36 850 CI/14,2	361 43 700 CI/14,2	464 57 450 CI/14,5	14	1120		
	12,5	1,48 175 CI/12,4	2,48 300 CI/12,6	3,13 375 CI/12,6	5,25 660 CI/13,1	6,08 765 CI/13,1	11,1 1 310 CI/12,4	22,6 2 720 CI/12,6	26,8 3 290 CI/12,9	47,1 5 870 CI/13	53,7 6 710 CI/13,1	93,9 11 690 CI/13	112 13 750 CI/12,8	188 22 620 CI/12,6	211 25 950 CI/12,9	286 35 030 CI/12,8	350 42 910 CI/12,8	419 50 440 CI/12,6	12,5		1000
	11,2	—	—	—	—	—	—	31,2 3 730 CI/11,3	42,9 5 190 CI/11,4	64 7 930 CI/11,7	85,3 10 190 CI/11,3	128 15 820 CI/11,7	171 20 640 CI/11,4	257 30 680 CI/11,3	304 35 630 CI/11	380 44 530 CI/11	477 58 180 CI/11,5	11,2	900		
	10	1,41 175 CI/10,3	2,6 310 CI/10	3,19 380 CI/10	5,3 660 CI/10,4	6,13 760 CI/10,4	11,6 1 360 CI/9,81	23,2 2 770 CI/10	28,4 3 450 CI/10,2	45,1 5 560 CI/10,3	58,5 7 250 CI/10,4	101 12 440 CI/10,3	117 14 270 CI/10,2	185 22 080 CI/10	231 28 070 CI/10,2	325 39 450 CI/10,2	397 48 150 CI/10,2	458 54 620 CI/10	10		800
	9	—	—	—	—	—	—	31,6 3 820 CI/9	46,6 5 670 CI/9,04	61,9 7 770 CI/9,33	100 12 030 CI/8,93	122 15 370 CI/9,33	185 22 490 CI/9,04	244 29 530 CI/9	326 38 390 CI/8,75	411 48 330 CI/8,75	471 58 250 CI/9,2	9	710		
8	1,47 175 CI/7,85	2,52 305 CI/8	3,14 380 CI/8	5,22 660 CI/8,33	6,04 765 CI/8,33	11,2 1 330 CI/7,85	23,3 2 820 CI/8	29 3 590 CI/8,15	44,4 5 570 CI/8,27	55,5 6 990 CI/8,31	101 12 700 CI/8,27	113 13 900 CI/8,14	166 20 630 CI/8,21	219 27 030 CI/8,15	292 34 690 CI/7,83	368 43 750 CI/7,83	432 52 420 CI/8	8	630		
900 000	200	—	—	—	—	775 ICI/192	1 850 ICI/199	—	3 650 ICI/196	—	7 150 ICI/196	—	—	—	—	—	—	—	—	—	
	160	—	—	—	—	—	—	3 150 C2I/151	4 620 C2I/154	6 500 C2I/158	9 500 C2I/151	13 200 C2I/156	19 000 C2I/156	25 940 C2I/154	32 500 C2I/156	40 000 C2I/156	51 160 C2I/161	—	—	—	

For n_1 lower than 560 min⁻¹ see page 195.

▲ Possible forced lubrication with heat exchanger: consult us.

Bevel helical gear reducer selection tables

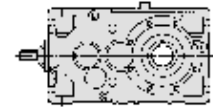
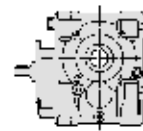


$n_{N2} \cdot L_h$ min ⁻¹ · h	i_N	P_{N2} kW																i_N	n_1 min ⁻¹	n_{N2} min ⁻¹	
		M_{N2} N m																			
		50	63	64	80	81	100	125	140	160	180	200	225	250	280	320	321				360
900 000	160	-	-	-	-	-	1 060 ICI/154	2 120 ICI/159	2 270 ICI/159	4 700 ICI/157	5 420 ICI/162	7 830 ICI/157	-	-	-	-	-				
	125	-	-	-	-	-	-	-	3 040 C2I/123	5 600 C2I/129	6 880 C2I/130	11 500 C2I/127	13 320 C2I/125	19 940 C2I/123	23 360 C2I/125	35 050 C2I/129	43 810 C2I/129	46 520 C2I/127			
	125	-	-	-	-	-	1 120 ICI/123	2 240 ICI/127	2 770 ICI/127	4 870 ICI/126	6 910 ICI/130	10 000 ICI/126	-	-	-	-	-	-			
	100	-	-	-	-	-	-	-	3 310 C2I/98,2	6 000 C2I/103	7 320 C2I/104	12 200 C2I/102	14 190 C2I/100	21 250 C2I/98,5	27 720 C2I/100	38 180 C2I/103	47 730 C2I/103	55 440 C2I/102			
	100	-	225 ICI/99,4	280 ICI/99,4	485 ICI/103	545 ICI/103	1 260 ICI/100	2 380 ICI/102	2 850 ICI/100	5 710 ICI/106	6 700 ICI/102	11 230 ICI/106	-	-	-	-	-	-			
	90	-	-	-	-	-	-	-	3 510 C2I/87,8	5 940 C2I/90,4	6 910 C2I/90	11 610 C2I/87,9	14 850 C2I/90,3	21 200 C2I/89	29 280 C2I/89,7	37 120 C2I/88,8	46 190 C2I/88,8	58 560 C2I/91,4			
	80	-	-	-	-	-	-	-	3 490 C2I/78,6	6 240 C2I/82,7	7 420 C2I/83,1	12 410 C2I/81,4	14 830 C2I/80,2	21 190 C2I/78,8	29 240 C2I/80,3	37 030 C2I/82,6	46 140 C2I/82,6	58 470 C2I/81,2			
	80	150 ICI/75,2	235 ICI/79,5	295 ICI/79,5	525 ICI/82,7	615 ICI/82,7	1 190 ICI/76,7	2 140 ICI/78,1	2 550 ICI/78,1	4 490 ICI/78,1	5 140 ICI/80,5	9 240 ICI/78,1	-	-	-	-	-	-			
	71	-	-	-	-	-	-	-	3 650 C2I/70,2	5 650 C2I/72,3	7 120 C2I/72	11 090 C2I/70,3	15 460 C2I/72,2	22 080 C2I/71,2	30 490 C2I/71,7	38 660 C2I/71,1	48 100 C2I/71,1	60 990 C2I/73,1			
	63	-	-	-	-	-	-	-	3 580 C2I/62	6 660 C2I/65,2	8 980 C2I/65,5	13 210 C2I/64,2	16 580 C2I/63,2	26 510 C2I/62,1	32 690 C2I/63,3	45 720 C2I/65,1	57 150 C2I/65,1	60 020 C2I/64			
	63	150 ICI/60,1	235 ICI/63,6	295 ICI/63,6	525 ICI/66,2	615 ICI/66,2	1 280 ICI/61,3	2 540 ICI/62,5	3 090 ICI/62,5	5 580 ICI/62,5	6 880 ICI/64,4	11 270 ICI/62,5	-	-	-	-	-	-			
	56	-	-	-	-	-	-	-	3 750 C2I/55,4	6 700 C2I/57	7 950 C2I/56,8	14 050 C2I/55,5	15 880 C2I/56,9	27 120 C2I/56,1	31 320 C2I/56,6	40 780 C2I/56	50 980 C2I/56	62 640 C2I/57,6			
	50	-	-	-	-	-	-	-	3 690 C2I/50,4	6 660 C2I/52,1	8 130 C2I/52,4	13 240 C2I/53,9	16 430 C2I/53,1	26 560 C2I/52,1	32 950 C2I/53,1	42 860 C2I/51,3	53 580 C2I/51,3	61 750 C2I/50,5			
	50	160 ICI/49	285 ICI/50,9	335 ICI/50,9	575 ICI/53	680 ICI/53	1 260 ICI/49,9	2 510 ICI/50	3 180 ICI/49,3	5 710 ICI/52,5	7 340 ICI/50,8	11 230 ICI/52,5	-	-	-	-	-	-			
	45	-	-	-	-	-	-	-	3 860 C2I/45,1	6 600 C2I/45,6	8 170 C2I/45,4	13 590 C2I/46,6	16 340 C2I/47,8	25 480 C2I/47,1	32 220 C2I/47,5	40 850 C2I/44,2	50 830 C2I/44,2	64 450 C2I/45,4			
	40	-	-	-	-	-	-	-	28,5 C2I/38,7	44 C2I/39,5	55,9 C2I/41	88,7 C2I/42,6	117 C2I/41,4	164 C2I/42,8	231 C2I/41,6	-	-	-	40	2800	71
40	1,34 ICI/38,6	2,13 ICI/40,1	2,66 ICI/40,1	4,32 ICI/41,8	5 ICI/41,8	11,6 ICI/39,4	19,2 ICI/39,4	21,8 ICI/40,2	45,5 ICI/41,4	46,7 ICI/41,6	88,7 ICI/41,4	-	-	-	-	-	-	40	2800		
35,5	-	-	-	-	-	-	-	27,7 C2I/37,5	41,1 C2I/37,5	58,9 C2I/37,3	88,6 C2I/35,3	119 C2I/36,2	169 C2I/37,2	231 C2I/37,5	-	-	-	35,5	2500		

For n_1 lower than 560 min⁻¹ see page 195.

▲ Possible forced lubrication with heat exchanger: consult us.

Bevel helical gear reducer selection tables

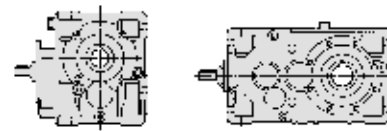


$n_{N2} \cdot L_h$ min ⁻¹ · h	i_N	P_{N2} kW																i_N	n_1	n_{N2} min ⁻¹		
		M_{N2} N m																				
		... / i																				
		50	63	64	80	81	100	125	140	160	180	200	225	250	280	320	321	360				
900 000	31,5	-	-	-	-	-	-	-	28,6 3 900 C2I/32	47,3 6 660 C2I/33,1	63,4 8 980 C2I/33,2	90,9 13 240 C2I/34,2	115 16 550 C2I/33,7	188 26 560 C2I/33,1▲	240 34 430 C2I/33,7▲	318 42 540 C2I/31,3▲	396 52 940 C2I/31,3▲	484 67 130 C2I/32,5▲	31,5	2240	71	
	31,5	1,35 185 CI/32,1	2,14 300 CI/33	2,67 375 CI/33	4,26 570 CI/31,4	4,68 625 CI/31,4	9,89 1 380 CI/32,8	17,6 2 430 CI/32,4	-	38,4 5 130 CI/31,4	-	79 11 010 CI/32,7	-	-	-	-	-	-	-	31,5	2240	
	31,5	-	1,7 225 CI/31,3	1,89 250 CI/31,3	3,32 460 CI/32,5	4,13 570 CI/32,5	8,07 1 040 CI/30,1	15,1 2 010 CI/31,3	-	29,5 3 870 CI/30,8	-	58,9 7 720 CI/30,8	-	111 15 020 CI/31,7	-	-	-	-	-	31,5	2240	
	28	-	-	-	-	-	-	-	29,8 4 070 C2I/28,6	52,5 7 250 C2I/28,9	63,8 8 780 C2I/28,8	99,9 14 080 C2I/29,5	119 17 250 C2I/30,3	190 27 170 C2I/29,9	237 34 020 C2I/30,1	-	-	-	-	28	2000	
	25	-	-	-	-	-	-	-	29,7 3 870 C2I/24,5	53,4 7 100 C2I/25,1	59,3 8 180 C2I/26	94,7 13 570 C2I/27	123 17 180 C2I/26,3	197 28 440 C2I/27,2	246 34 450 C2I/26,4	328 43 670 C2I/25,1▲	409 54 340 C2I/25,1▲	499 68 900 C2I/26▲	25	1800		
	25	1,16 150 CI/24,1	1,85 245 CI/25	2,33 310 CI/25	4,03 555 CI/26	4,59 635 CI/26	8,34 1 070 CI/24,1	18,4 2 440 CI/25	-	36 4 700 CI/24,6	-	69,9 9 130 CI/24,6	-	139 18 690 CI/25,4	-	-	-	-	-	25	1800	
	22,4	-	-	-	-	-	-	-	29,2 4 140 C2I/23,8	49,2 6 970 C2I/23,8	62,2 8 780 C2I/23,7	102 13 600 C2I/22,4	127 17 370 C2I/23	191 26 890 C2I/23,6	244 34 600 C2I/23,8	320 43 880 C2I/23	398 54 630 C2I/23	490 69 230 C2I/23,7	22,4	1600		
	20	-	-	-	-	-	-	-	26,4 3 680 C2I/20,4	44,8 6 290 C2I/20,6	56,3 8 200 C2I/21,4	92,7 12 950 C2I/20,5	113 15 290 C2I/19,9	174 25 470 C2I/21,5	222 31 490 C2I/20,8	317 44 590 C2I/20,6	394 55 350 C2I/20,6	443 64 580 C2I/21,4	20	1400		
	20	1,13 150 CI/19,3	1,96 265 CI/20	2,41 330 CI/20	4,01 570 CI/20,8	4,63 655 CI/20,8	9,86 1 300 CI/19,3	17,2 2 350 CI/20	24,8 3 380 CI/20	38,6 5 190 CI/19,7	48,8 6 760 CI/20,3	78,4 10 530 CI/19,7	97,7 13 520 CI/20,3	152 21 050 CI/20,3	196 26 710 CI/20	257 34 520 CI/19,7	356 47 790 CI/19,7	388 53 640 CI/20,3	20	1400		
	18	-	-	-	-	-	-	-	24,9 3 420 CI/18	39,5 5 430 CI/18	49,7 7 090 CI/18,7	78,7 10 820 CI/18	98,2 14 000 CI/18,7	158 21 530 CI/17,9	197 27 120 CI/18	241 33 100 CI/18	331 45 580 CI/18	388 54 500 CI/18,4	18	1250		
	16	1,15 150 CI/15,2	1,99 265 CI/15,8	2,44 330 CI/15,8	4,06 570 CI/16,4	4,7 655 CI/16,4	9,86 1 280 CI/15,2	18,9 2 540 CI/15,8	26,3 3 530 CI/15,8	42,2 5 580 CI/15,5	53 7 230 CI/16	85,1 11 260 CI/15,5	115 15 730 CI/16	159 21 710 CI/16	214 28 840 CI/15,8	249 34 520 CI/16,3	310 43 020 CI/16,3	401 54 750 CI/16	16	1120		
	14	-	-	-	-	-	-	-	26,8 3 640 CI/14,2	41,5 5 630 CI/14,2	53,7 7 540 CI/14,7	84,6 11 470 CI/14,2	112 15 770 CI/14,7	170 22 940 CI/14,1	211 28 650 CI/14,2	275 37 210 CI/14,2	325 44 110 CI/14,2	419 58 010 CI/14,5	14	1000		
	12,5	1,34 175 CI/12,4	2,24 300 CI/12,6	2,83 380 CI/12,6	4,74 660 CI/13,1	5,49 765 CI/13,1	10 1 310 CI/12,4	20,4 2 730 CI/12,6	24,4 3 320 CI/12,9	42,9 5 930 CI/13	48,7 6 780 CI/13,1	85,3 11 800 CI/13	101 13 800 CI/12,8	171 22 840 CI/12,6	192 26 200 CI/12,9	260 35 340 CI/12,8	318 43 300 CI/12,8	383 51 310 CI/12,6	12,5	900		
	11,2	-	-	-	-	-	-	-	27,9 3 750 CI/11,3	38,6 5 250 CI/11,4	57,3 7 980 CI/11,7	76,6 10 300 CI/11,3	116 16 200 CI/11,7	153 20 850 CI/11,4	231 30 990 CI/11,3	273 35 980 CI/11	341 44 970 CI/11	428 58 760 CI/11,5	11,2	800		
	10	1,3 180 CI/10,3	2,32 310 CI/10	2,84 380 CI/10	4,72 660 CI/10,4	5,46 765 CI/10,4	10,4 1 370 CI/9,81	21,4 2 870 CI/10	25,2 3 450 CI/10,2	40,4 5 610 CI/10,3	52,4 7 320 CI/10,4	92,8 12 900 CI/10,3	104 14 270 CI/10,2	166 22 290 CI/10	207 28 350 CI/10,2	291 39 850 CI/10,2	355 48 600 CI/10,2	411 55 240 CI/10	10	710		
	9	-	-	-	-	-	-	-	29 3 960 CI/9	41,8 5 730 CI/9,04	55,5 7 850 CI/9,33	92,1 12 470 CI/8,93	113 15 930 CI/9,33	166 22 700 CI/9,04	219 29 840 CI/9	292 38 750 CI/8,75	368 48 870 CI/8,75	422 58 840 CI/9,2	9	630		
8	1,31 175 CI/7,85	2,25 305 CI/8	2,8 380 CI/8	4,65 660 CI/8,33	5,39 765 CI/8,33	10 1 340 CI/7,85	21,4 2 920 CI/8	26,7 3 720 CI/8,15	39,7 5 600 CI/8,27	49,8 7 060 CI/8,31	93,3 13 160 CI/8,27	104 14 400 CI/8,14	149 20 830 CI/8,21	196 27 200 CI/8,15	262 35 010 CI/7,83	331 44 220 CI/7,83	388 52 930 CI/8	8	560			
800 000	200	-	-	-	-	800 CI/192	1 900 CI/199	-	3 750 CI/196	-	7 400 CI/196	-	-	-	-	-	-	-				

For n_1 lower than 560 min⁻¹ see page 195.

▲ Possible forced lubrication with heat exchanger: consult us.

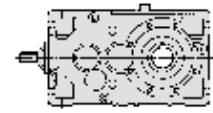
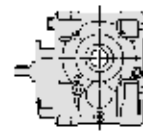
Bevel helical gear reducer selection tables



$n_{N2} \cdot L_h$ min ⁻¹ · h	i_N	P_{N2} kW																i_N	n_1	n_{N2} min ⁻¹
		M_{N2} N m																		
		50	63	64	80	81	100	125	140	160	180	200	225	250	280	320	321			
800 000	160	-	-	-	-	-	-	3 150 C2I/151	4 750 C2I/154	6 700 C2I/158	9 750 C2I/151	13 600 C2I/156	19 500 C2I/156	26 840 C2I/154	33 500 C2I/156	40 000 C2I/156	52 930 C2I/161			
	160	-	-	-	-	1 090 ICI/154	2 180 ICI/159	2 350 ICI/159	4 720 ICI/157	5 440 ICI/162	8 030 ICI/157	-	-	-	-	-				
	125	-	-	-	-	-	-	3 150 C2I/123	5 800 C2I/129	7 120 C2I/130	11 800 C2I/127	13 800 C2I/125	20 660 C2I/123	24 110 C2I/125	36 310 C2I/129	45 380 C2I/129	48 030 C2I/127			
	125	-	-	-	-	1 150 ICI/123	2 300 ICI/127	2 870 ICI/127	5 000 ICI/126	6 990 ICI/130	10 300 ICI/126	-	-	-	-	-				
	100	-	-	-	-	-	-	3 400 C2I/98,2	6 150 C2I/103	7 590 C2I/104	12 500 C2I/102	14 710 C2I/100	22 030 C2I/98,5	28 460 C2I/100	39 580 C2I/103	49 470 C2I/103	56 910 C2I/102			
	100	-	235 ICI/99,4	285 ICI/99,4	490 ICI/103	560 ICI/103	1 260 ICI/100	2 470 ICI/102	2 950 ICI/100	5 740 ICI/106	6 900 ICI/102	11 280 ICI/106	-	-	-	-	-			
	90	-	-	-	-	-	-	3 600 C2I/87,8	6 160 C2I/90,4	7 100 C2I/90	12 030 C2I/87,9	15 250 C2I/90,3	21 780 C2I/89	30 080 C2I/89,7	38 140 C2I/88,8	47 460 C2I/88,8	60 170 C2I/91,4			
	80	-	-	-	-	-	-	3 540 C2I/78,6	6 460 C2I/82,7	7 520 C2I/83,1	12 830 C2I/81,4	15 030 C2I/80,2	21 480 C2I/78,8	29 640 C2I/80,3	38 190 C2I/82,6	47 740 C2I/82,6	59 270 C2I/81,2			
	80	150 ICI/75,2	240 ICI/79,5	295 ICI/79,5	525 ICI/82,7	620 ICI/82,7	1 200 ICI/76,7	2 210 ICI/78,1	2 590 ICI/78,1	4 550 ICI/78,1	5 210 ICI/80,5	9 360 ICI/78,1	-	-	-	-	-			
	71	-	-	-	-	-	-	3 700 C2I/70,2	5 830 C2I/72,3	7 210 C2I/72	11 450 C2I/70,3	15 660 C2I/72,2	22 360 C2I/71,2	30 880 C2I/71,7	39 140 C2I/71,1	48 710 C2I/71,1	61 760 C2I/73,1			
	63	-	-	-	-	-	-	3 630 C2I/62	6 690 C2I/65,2	9 010 C2I/65,5	13 260 C2I/64,2	17 170 C2I/63,2	26 610 C2I/62,1	33 870 C2I/63,3	45 890 C2I/65,1	57 360 C2I/65,1	60 870 C2I/64			
	63	150 ICI/60,1	240 ICI/63,6	295 ICI/63,6	525 ICI/66,2	620 ICI/66,2	1 340 ICI/61,3	2 550 ICI/62,5	3 130 ICI/62,5	5 600 ICI/62,5	6 980 ICI/64,4	11 310 ICI/62,5	-	-	-	-	-			
	56	-	-	-	-	-	-	3 800 C2I/55,4	6 900 C2I/57	7 980 C2I/56,8	14 100 C2I/55,5	16 110 C2I/56,9	27 220 C2I/56,1	31 770 C2I/56,6	42 270 C2I/56	52 840 C2I/56	63 530 C2I/57,6			
	50	-	-	-	-	-	-	3 740 C2I/50,4	6 690 C2I/52,1	8 430 C2I/52,4	13 290 C2I/53,9	17 030 C2I/53,1	26 660 C2I/52,1	34 150 C2I/53,1	44 430 C2I/51,3	55 540 C2I/51,3	62 630 C2I/50,5			
	50	160 ICI/49	285 ICI/50,9	335 ICI/50,9	595 ICI/53	685 ICI/53	1 260 ICI/49,9	2 540 ICI/50	3 220 ICI/49,3	5 740 ICI/52,5	7 600 ICI/50,8	11 280 ICI/52,5	-	-	-	-	-			
	45	-	-	-	-	-	-	25,5 C2I/45,1	44 C2I/45,6	53,5 C2I/45,4	88,7 C2I/46,6	102 C2I/47,8	164 C2I/47,1	202 C2I/47,5	- C2I/44,2	- C2I/44,2	- C2I/45,4	45	2800	63
40	-	-	-	-	-	-	25,8 C2I/38,7	40,6 C2I/39,5	50,6 C2I/41	81,9 C2I/42,6	106 C2I/41,4	152 C2I/42,8	209 C2I/41,6	- C2I/39,5	- C2I/39,5	- C2I/41	40	2500		
40	1,2 ICI/38,6	1,92 ICI/40,1	2,39 ICI/40,1	3,91 ICI/41,8	4,53 ICI/41,8	10,4 ICI/39,4	17,3 ICI/40,2	19,8 C2I/39,4	42 C2I/41,4	42,3 C2I/41,6	79,5 C2I/41,4	-	-	-	-	-	40	2500		

For n_1 lower than 560 min⁻¹ see page 195.

Bevel helical gear reducer selection tables

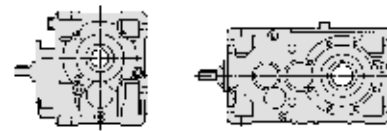


$n_{N2} \cdot L_h$ min ⁻¹ · h	i_N	P_{N2} kW																i_N	n_1 min ⁻¹	n_{N2} min ⁻¹	
		M_{N2} N m																			
		50	63	64	80	81	100	125	140	160	180	200	225	250	280	320	321				360
800 000	35,5	-	-	-	-	-	-	25,1 4 020	37,6 6 010	53,5 8 510	80,4 12 100	108 16 680	153 24 300	210 33 560	275 42 540	342 52 940	422 67 130	35,5	2240	63	
	31,5	-	-	-	-	-	-	25,8 3 950	42,4 6 690	56,8 9 010	81,4 13 290	104 16 770	169 26 660	215 34 550	288 43 120	359 53 670	438 68 040	31,5	2000		
	31,5	1,21 185	1,97 310	2,43 380	3,86 580	4,24 635	9,13 1 430	15,9 2 460	-	34,7 5 200	-	71,7 11 200	-	-	-	-	-	31,5	2000		
	31,5	-	1,52 225	1,69 250	2,97 460	3,7 575	7,23 1 040	13,5 2 020	-	26,4 3 880	-	54 7 930	-	103 15 530	-	-	-	31,5	2000		
	28	-	-	-	-	-	-	-	27,2 4 120	47,4 7 280	59,3 9 060	90,2 14 120	109 17 470	172 27 260	216 34 450	294 43 670	366 54 340	451 68 900	28		1800
	25	-	-	-	-	-	-	-	26,8 3 920	49,2 7 350	54,6 8 480	87,2 14 060	111 17 420	176 28 550	222 34 940	296 44 290	368 55 110	450 69 880	25		1600
	25	1,04 150	1,66 250	2,1 315	3,63 565	4,14 640	7,44 1 070	16,4 2 450	-	32,1 4 710	-	63 9 260	-	125 18 950	-	-	-	25	1600		
	22,4	-	-	-	-	-	-	-	25,9 4 210	44,8 7 250	55,3 8 920	92,4 14 110	113 17 650	169 27 280	217 35 160	284 44 590	354 55 510	436 70 340	22,4		1400
	20	-	-	-	-	-	-	-	23,7 3 700	41,4 6 500	50,8 8 290	85,7 13 400	102 15 450	160 26 310	200 31 820	285 44 870	355 55 840	400 65 260	20		1250
	20	1,02 150	1,75 270	2,16 330	3,59 570	4,15 660	9,1 1 340	15,8 2 420	22,4 3 420	35,7 5 370	44,1 6 840	70,4 10 590	88,2 13 660	137 21 180	177 26 990	231 34 690	319 47 960	358 55 500	20		1250
	18	-	-	-	-	-	-	-	22,3 3 420	35,7 5 480	44,5 7 090	71,2 10 920	88 14 000	143 21 730	177 27 120	218 33 400	307 47 110	347 54 500	18		1120
	16	1,03 150	1,78 270	2,19 330	3,64 570	4,21 660	9,11 1 320	16,9 2 550	23,8 3 580	37,8 5 600	47,7 7 280	76,2 11 300	107 16 270	147 22 460	193 29 030	224 34 850	284 44 040	368 56 270	16		1000
	14	-	-	-	-	-	-	-	24,4 3 670	38,6 5 810	48,7 7 610	76,6 11 530	101 15 820	154 23 060	192 28 920	249 37 540	297 44 680	380 58 530	14		900
	12,5	1,2 175	2,01 300	2,53 380	4,23 665	4,89 765	8,93 1 320	18,7 2 810	21,9 3 360	38,6 6 000	43,8 6 850	76,6 11 920	90,4 13 850	153 23 070	172 26 470	233 35 680	286 43 720	353 53 160	12,5		800
	11,2	-	-	-	-	-	-	-	25 3 780	34,6 5 310	51,2 8 040	68,7 10 410	104 16 360	137 21 070	207 31 290	245 36 340	306 45 420	384 59 350	11,2		710
10	1,18 185	2,06 315	2,53 385	4,2 665	4,86 770	9,25 1 380	19,6 2 970	22,3 3 450	36,7 5 750	47 7 390	84,3 13 200	92,6 14 300	148 22 500	185 28 630	261 40 250	318 49 060	368 55 850	10	630		
9	-	-	-	-	-	-	-	26,1 4 000	37,5 5 790	49,8 7 930	82,1 12 500	104 16 500	149 22 910	196 30 140	262 39 110	331 49 400	379 59 420	9	560		
710 000	200	-	-	-	-	825 ICI/192	1 950 ICI/199	-	3 750 ICI/196	-	7 650 ICI/196	-	-	-	-	-	-	-	-	-	

For n_1 lower than 560 min⁻¹ see page 195.

▲ Possible forced lubrication with heat exchanger: consult us.

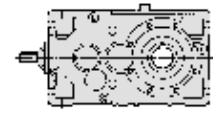
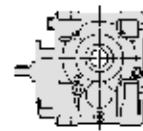
Bevel helical gear reducer selection tables



$n_{N2} \cdot L_h$ min ⁻¹ · h	i_N	P_{N2} kW																i_N	n_1	n_{N2} min ⁻¹
		M_{N2} N m																		
		50	63	64	80	81	100	125	140	160	180	200	225	250	280	320	321			
710 000	160	-	-	-	-	-	-	3 250 C2I/151	4 870 C2I/154	6 900 C2I/158	10 000 C2I/151	14 000 C2I/156	20 000 C2I/156	27 700 C2I/154	34 500 C2I/156	41 200 C2I/156	54 630 C2I/161			
	160	-	-	-	-	1 120 ICI/154	2 240 ICI/159	2 420 ICI/159	4 730 ICI/157	5 460 ICI/162	8 260 ICI/157	-	-	-	-	-	-			
	125	-	-	-	-	-	-	3 260 C2I/123	6 000 C2I/129	7 380 C2I/130	12 200 C2I/127	14 300 C2I/125	21 410 C2I/123	24 770 C2I/125	37 630 C2I/129	47 040 C2I/129	49 340 C2I/127			
	125	-	-	-	-	1 180 ICI/123	2 360 ICI/127	2 980 ICI/127	5 150 ICI/126	7 010 ICI/130	10 600 ICI/126	-	-	-	-	-	-			
	100	-	-	-	-	-	-	3 490 C2I/98,2	6 300 C2I/103	7 860 C2I/104	12 800 C2I/102	15 240 C2I/100	22 820 C2I/98,5	29 240 C2I/100	41 000 C2I/103	51 250 C2I/103	58 470 C2I/102			
	100	-	240 ICI/99,4	285 ICI/99,4	490 ICI/103	575 ICI/103	1 270 ICI/100	2 560 ICI/102	3 060 ICI/100	5 760 ICI/106	7 100 ICI/102	11 320 ICI/106	-	-	-	-	-			
	90	-	-	-	-	-	-	3 650 C2I/87,8	6 370 C2I/90,4	7 200 C2I/90	12 450 C2I/87,9	15 460 C2I/90,3	22 080 C2I/89	30 490 C2I/89,7	38 660 C2I/88,8	48 100 C2I/88,8	60 990 C2I/91,4			
	80	-	-	-	-	-	-	3 580 C2I/78,6	6 670 C2I/82,7	7 610 C2I/83,1	13 250 C2I/81,4	15 220 C2I/80,2	22 010 C2I/78,8	30 010 C2I/80,3	39 420 C2I/82,6	49 270 C2I/82,6	60 020 C2I/81,2			
	80	150 ICI/75,2	240 ICI/79,5	300 ICI/79,5	525 ICI/82,7	620 ICI/82,7	1 200 ICI/76,7	2 280 ICI/78,1	2 620 ICI/78,1	4 610 ICI/78,1	5 270 ICI/80,5	9 480 ICI/78,1	-	-	-	-	-			
	71	-	-	-	-	-	-	3 750 C2I/70,2	6 040 C2I/72,3	7 310 C2I/72	11 860 C2I/70,3	15 880 C2I/72,2	22 670 C2I/71,2	31 320 C2I/71,7	39 700 C2I/71,1	49 400 C2I/71,1	62 640 C2I/73,1			
	63	-	-	-	-	-	-	3 690 C2I/62	6 710 C2I/65,2	9 040 C2I/65,5	13 310 C2I/64,2	17 800 C2I/63,2	26 710 C2I/62,1	34 610 C2I/63,3	46 060 C2I/65,1	57 580 C2I/65,1	61 750 C2I/64			
	63	150 ICI/60,1	245 ICI/63,6	300 ICI/63,6	530 ICI/66,2	620 ICI/66,2	1 340 ICI/61,3	2 560 ICI/62,5	3 180 ICI/62,5	5 620 ICI/62,5	7 010 ICI/64,4	11 350 ICI/62,5	-	-	-	-	-			
	56	-	-	-	-	-	-	3 860 C2I/55,4	6 900 C2I/57	8 010 C2I/56,8	14 160 C2I/55,5	16 610 C2I/56,9	27 320 C2I/56,1	32 510 C2I/56,6	43 470 C2I/56	54 340 C2I/56	64 450 C2I/57,6			
	50	-	-	-	-	-	-	22 C2I/50,4	37,7 C2I/52,1	48,9 C2I/52,4	72,6 C2I/53,9	97,5 C2I/53,1	150 C2I/52,1	191 C2I/53,1	-	-	-	50	2800	56
	50	0,97 ICI/49	1,66 ICI/50,9	1,95 ICI/50,9	3,4 ICI/53	3,81 ICI/53	7,44 ICI/49,9	15,1 ICI/50	19,4 ICI/49,3	32,2 ICI/52,5	45,5 ICI/50,8	63,2 ICI/52,5	-	-	-	-	-	50	2800	
	45	-	-	-	-	-	-	23 C2I/45,1	40,6 C2I/45,6	48,4 C2I/45,4	79,7 C2I/46,6	92 C2I/47,8	152 C2I/47,1	183 C2I/47,5	-	-	-	45	2500	
40	-	-	-	-	-	-	23,4 C2I/38,7	37,6 C2I/39,5	46 C2I/41	75,8 C2I/42,6	96,4 C2I/41,4	140 C2I/42,8	189 C2I/41,6	252 C2I/39,5	314 C2I/39,5	384 C2I/41	40	2240		
40	1,08 ICI/38,6	1,74 ICI/40,1	2,14 ICI/40,1	3,55 ICI/41,8	4,11 ICI/41,8	9,31 ICI/39,4	15,8 ICI/40,2	17,9 ICI/40,2	38 ICI/41,4	38,9 ICI/41,6	71,5 ICI/41,4	-	-	-	-	-	40	2240		

For n_1 lower than 560 min⁻¹ see page 195.

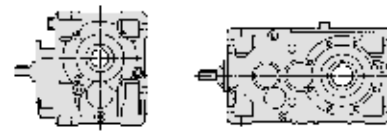
Bevel helical gear reducer selection tables



$n_{N2} \cdot L_h$ min ⁻¹ · h	i_N	P_{N2} kW M_{N2} N m ... / i																i_N	n_1 min ⁻¹	n_{N2}			
		50	63	64	80	81	100	125	140	160	180	200	225	250	280	320	321				360		
710 000	35,5	-	-	-	-	-	-	-	22,7 4 070 C21/37,5	34,7 6 220 C21/37,5	48,4 8 620 C21/37,3	72,8 12 270 C21/35,3	97,7 16 910 C21/36,2	138 24 630 C21/37,2	190 34 020 C21/37,5	249 43 120 C21/36,3	310 53 670 C21/36,3	382 68 040 C21/37,3	35,5	2000	56		
	31,5	-	-	-	-	-	-	-	23,6 4 000 C21/32	38,3 6 710 C21/33,1	51,3 9 040 C21/33,2	73,5 13 330 C21/34,2	95,1 16 980 C21/33,7	152 26 750 C21/33,1	194 34 670 C21/33,7	263 43 670 C21/31,3	327 54 340 C21/31,3	400 68 900 C21/32,5	31,5	1800			
	31,5	1,09 185 ICI/32,1	1,83 320 ICI/33	2,19 385 ICI/33	3,52 585 ICI/31,4	3,86 645 ICI/31,4	8,36 1 450 ICI/32,8	14,5 2 490 ICI/32,4	-	31,7 5 270 ICI/31,4	-	64,8 11 230 ICI/32,7	-	-	-	-	-	-	-	31,5		1800	
	31,5	-	1,37 230 CI/31,3	1,53 255 CI/31,3	2,69 465 CI/32,5	3,34 575 CI/32,5	6,53 1 040 CI/30,1	12,2 2 030 CI/31,3	-	23,9 3 900 CI/30,8	-	48,7 7 960 CI/30,8	-	95,2 16 030 CI/31,7	-	-	-	-	-	-		31,5	1800
	28	-	-	-	-	-	-	-	24,5 4 180 C21/28,6	42,3 7 300 C21/28,9	54,6 9 390 C21/28,8	80,5 14 180 C21/29,5	97,9 17 720 C21/30,3	153 27 360 C21/29,9	194 34 940 C21/30,1	265 44 290 C21/28	330 55 110 C21/28	406 69 880 C21/28,8	28	1600			
	25	-	-	-	-	-	-	-	23,8 3 980 C21/24,5	43,6 7 460 C21/25,1	49,7 8 820 C21/26	79,5 14 640 C21/27	98,8 17 700 C21/26,3	155 28 670 C21/27,2	198 35 500 C21/26,4	263 45 000 C21/25,1	328 56 000 C21/25,1	400 71 000 C21/26	25	1400			
	25	0,91 150 CI/24,1	1,48 250 CI/25	1,87 320 CI/25	3,23 570 CI/26	3,68 650 CI/26	6,61 1 090 CI/24,1	14,4 2 460 CI/25	-	28,2 4 730 CI/24,6	-	56 9 410 CI/24,6	-	111 19 250 CI/25,4	-	-	-	-	-	25		1400	
	22,4	-	-	-	-	-	-	-	23,3 4 240 C21/23,8	40,3 7 310 C21/23,8	49,6 8 970 C21/23,7	82,8 14 160 C21/22,4	102 17 830 C21/23	152 27 370 C21/23,6	195 35 380 C21/23,8	255 44 870 C21/23	318 55 840 C21/23	392 70 780 C21/23,7	22,4	1250			
	20	-	-	-	-	-	-	-	21,3 3 710 C21/20,4	38,3 6 720 C21/20,6	46 8 370 C21/21,4	79,3 13 850 C21/20,5	91,9 15 600 C21/19,9	149 27 190 C21/21,5	181 32 140 C21/20,8	256 45 000 C21/20,6	319 56 000 C21/20,6	362 65 920 C21/21,4	20	1120			
	20	0,91 150 CI/19,3	1,58 270 CI/20	1,94 330 CI/20	3,23 570 CI/20,8	3,73 660 CI/20,8	8,18 1 340 CI/19,3	14,6 2 500 CI/20	20,2 3 450 CI/20	33,1 5 550 CI/19,7	40 6 910 CI/20,3	63,4 10 650 CI/19,7	79,8 13 800 CI/20,3	123 21 300 CI/20,3	160 27 260 CI/20	208 34 850 CI/19,7	287 48 120 CI/19,7	326 56 330 CI/20,3	20	1120			
	18	-	-	-	-	-	-	-	19,9 3 420 CI/18	32,2 5 530 CI/18	39,8 7 090 CI/18,7	64,2 11 030 CI/18	78,5 14 000 CI/18,7	129 21 940 CI/17,9	158 27 120 CI/18	196 33 710 CI/18	283 48 700 CI/18	310 54 500 CI/18,4	18	1000			
	16	0,93 150 CI/15,2	1,61 270 CI/15,8	1,98 330 CI/15,8	3,29 570 CI/16,4	3,8 660 CI/16,4	8,33 1 340 CI/15,2	15,3 2 560 CI/15,8	21,5 3 590 CI/15,8	34,1 5 620 CI/15,5	43,1 7 320 CI/16	68,8 11 340 CI/15,5	96,3 16 350 CI/16	136 23 180 CI/16	175 29 210 CI/15,8	204 35 160 CI/16,3	263 45 460 CI/16,3	342 58 080 CI/16	16	900			
14	-	-	-	-	-	-	-	21,9 3 710 CI/14,2	35,5 6 020 CI/14,2	43,8 7 690 CI/14,7	69,7 11 810 CI/14,2	90,4 15 880 CI/14,7	138 23 200 CI/14,1	172 29 220 CI/14,2	224 37 920 CI/14,2	273 46 290 CI/14,2	341 59 110 CI/14,5	14	800				
12,5	1,07 175 CI/12,4	1,79 305 CI/12,6	2,25 380 CI/12,6	3,77 665 CI/13,1	4,36 770 CI/13,1	8,04 1 340 CI/12,4	17,2 2 910 CI/12,6	19,6 3 390 CI/12,9	34,6 6 070 CI/13	39,2 6 920 CI/13,1	68,7 12 040 CI/13	80,5 13 900 CI/12,8	137 23 310 CI/12,6	155 26 750 CI/12,9	209 36 030 CI/12,8	256 44 160 CI/12,8	325 55 100 CI/12,6	12,5	710				
11,2	-	-	-	-	-	-	-	22,3 3 800 CI/11,3	31,8 5 500 CI/11,4	45,8 8 090 CI/11,7	61,6 10 510 CI/11,3	92,5 16 360 CI/11,7	123 21 280 CI/11,4	185 31 600 CI/11,3	219 36 700 CI/11	274 45 870 CI/11	344 59 940 CI/11,5	11,2	630				
10	1,05 185 CI/10,3	1,84 315 CI/10	2,26 385 CI/10	3,75 665 CI/10,4	4,34 770 CI/10,4	8,27 1 380 CI/9,81	17,4 2 970 CI/10	19,8 3 450 CI/10,2	33,8 5 960 CI/10,3	42,1 7 460 CI/10,4	74,9 13 200 CI/10,3	83,1 14 430 CI/10,2	133 22 710 CI/10	166 28 900 CI/10,2	234 40 640 CI/10,2	286 49 510 CI/10,2	331 56 460 CI/10	10	560				
630 000	200	-	-	-	-	-	850 ICI/192	2 000 ICI/199	-	3 870 ICI/196	-	7 910 ICI/196	-	-	-	-	-	-	-	-	-		
	160	-	-	-	-	-	-	-	3 350 C21/151	5 000 C21/154	7 100 C21/158	10 300 C21/151	14 500 C21/156	20 600 C21/156	28 690 C21/154	35 500 C21/156	42 500 C21/156	56 600 C21/161	-	-	-		

For n_1 lower than 560 min⁻¹ see page 195.

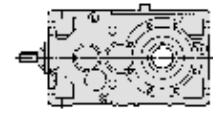
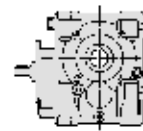
Bevel helical gear reducer selection tables



$n_{N2} \cdot L_h$ min ⁻¹ · h	i_N	P_{N2} kW																i_N	n_1 min ⁻¹	n_{N2} min ⁻¹	
		M_{N2} N m																			
		50	63	64	80	81	100	125	140	160	180	200	225	250	280	320	321				360
630 000	160	-	-	-	-	-	1 150 ICI/154	2 300 ICI/159	2 510 ICI/159	4 750 ICI/157	5 480 ICI/162	8 520 ICI/157	-	-	-	-	-				
	125	-	-	-	-	-	-	-	3 380 C2I/123	6 150 C2I/129	7 650 C2I/130	12 500 C2I/127	14 820 C2I/125	22 200 C2I/123	25 430 C2I/125	39 010 C2I/129	48 760 C2I/129	50 650 C2I/127			
	125	-	-	-	-	-	1 220 ICI/123	2 430 ICI/127	3 090 ICI/127	5 300 ICI/126	7 040 ICI/130	10 900 ICI/126	-	-	-	-	-	-			
	100	-	-	-	-	-	-	-	3 590 C2I/98,2	6 500 C2I/103	8 130 C2I/104	13 360 C2I/102	15 770 C2I/100	23 610 C2I/98,5	29 640 C2I/100	42 420 C2I/103	53 020 C2I/103	59 270 C2I/102			
	100	-	240 ICI/99,4	285 ICI/99,4	495 ICI/103	580 ICI/103	1 270 ICI/100	2 650 ICI/102	3 160 ICI/100	5 780 ICI/106	7 300 ICI/102	11 360 ICI/106	-	-	-	-	-	-			
	90	-	-	-	-	-	-	-	3 700 C2I/87,8	6 580 C2I/90,4	7 290 C2I/90	12 850 C2I/87,9	15 660 C2I/90,3	22 360 C2I/89	30 880 C2I/89,7	39 140 C2I/88,8	48 710 C2I/88,8	61 760 C2I/91,4			
	80	-	-	-	-	-	-	-	3 630 C2I/78,6	6 740 C2I/82,7	7 720 C2I/83,1	13 360 C2I/81,4	15 440 C2I/80,2	22 800 C2I/78,8	30 440 C2I/80,3	40 840 C2I/82,6	51 050 C2I/82,6	60 870 C2I/81,2			
	80	150 ICI/75,2	240 ICI/79,5	300 ICI/79,5	530 ICI/82,7	625 ICI/82,7	1 210 ICI/76,7	2 370 ICI/78,1	2 660 ICI/78,1	4 680 ICI/78,1	5 350 ICI/80,5	9 620 ICI/78,1	-	-	-	-	-	-			
	71	-	-	-	-	-	-	-	3 800 C2I/70,2	6 260 C2I/72,3	7 420 C2I/72	12 290 C2I/70,3	16 110 C2I/72,2	23 000 C2I/71,2	31 770 C2I/71,7	40 270 C2I/71,1	50 110 C2I/71,1	63 530 C2I/73,1			
	63	-	-	-	-	-	-	-	3 740 C2I/62	6 740 C2I/65,2	9 080 C2I/65,5	13 360 C2I/64,2	18 450 C2I/63,2	26 810 C2I/62,1	34 750 C2I/63,3	46 230 C2I/65,1	57 790 C2I/65,1	62 630 C2I/64			
	63	150 ICI/60,1	245 ICI/63,6	305 ICI/63,6	530 ICI/66,2	625 ICI/66,2	1 350 ICI/61,3	2 570 ICI/62,5	3 220 ICI/62,5	5 650 ICI/62,5	7 040 ICI/64,4	11 390 ICI/62,5	-	-	-	-	-	-			
	56	-	-	-	-	-	-	-	20,7 C2I/55,4	36,5 C2I/57	41,5 C2I/56,8	75,1 C2I/55,5	88,6 C2I/56,9	143 C2I/56,1	175 C2I/56,6	-	-	-	56	2800	50
	50	-	-	-	-	-	-	-	20 C2I/50,4	33,8 C2I/52,1	45,1 C2I/52,4	65 C2I/53,9	90 C2I/53,1	135 C2I/52,1	171 C2I/53,1	-	-	-	50	2500	
	50	0,87 165 ICI/49	1,49 290 ICI/50,9	1,75 340 ICI/50,9	3,05 620 ICI/53	3,41 690 ICI/53	6,67 1 270 ICI/49,9	13,7 2 610 ICI/50	17,6 3 310 ICI/49,3	28,8 5 780 ICI/52,5	42 8 150 ICI/50,8	56,8 11 390 ICI/52,5	-	-	-	-	-	50	2500		
	45	-	-	-	-	-	-	-	20,9 4 020 C2I/45,1	37,6 7 310 C2I/45,6	43,9 8 510 C2I/45,4	71,7 14 230 C2I/46,6	83,5 17 020 C2I/47,8	137 27 470 C2I/47,1	167 33 800 C2I/47,5	226 42 540 C2I/44,2	281 52 940 C2I/44,2	347 67 130 C2I/45,4	45	2240	
	40	-	-	-	-	-	-	-	21,2 3 920 C2I/38,7	34,7 6 560 C2I/39,5	41,6 8 140 C2I/41	70,1 14 250 C2I/42,6	87,2 17 250 C2I/41,4	130 26 530 C2I/42,8	171 34 020 C2I/41,6	228 43 120 C2I/39,5	284 53 670 C2I/39,5	348 68 040 C2I/41	40	2000	
	40	0,96 180 ICI/38,6	1,57 300 ICI/40,1	1,93 370 ICI/40,1	3,22 640 ICI/41,8	3,72 745 ICI/41,8	8,34 1 570 ICI/39,4	14,3 2 680 ICI/39,4	16,2 3 110 ICI/40,2	34,1 6 740 ICI/41,4	35,9 7 140 ICI/41,6	64 12 650 ICI/41,4	-	-	-	-	-	40	2000		
	35,5	-	-	-	-	-	-	-	20,7 4 120 C2I/37,5	32,3 6 420 C2I/37,5	44,1 8 730 C2I/37,3	66,3 12 420 C2I/35,3	89,1 17 130 C2I/36,2	126 24 940 C2I/37,2	173 34 450 C2I/37,5	227 43 670 C2I/36,3	282 54 340 C2I/36,3	348 68 900 C2I/37,3	35,5	1800	

For n_1 lower than 560 min⁻¹ see page 195.

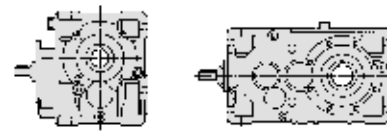
Bevel helical gear reducer selection tables



$n_{N2} \cdot L_h$ min ⁻¹ · h	i_N	P_{N2} kW																i_N	n_1	n_{N2} min ⁻¹		
		M_{N2} N m																				
		... / i																				
		50	63	64	80	81	100	125	140	160	180	200	225	250	280	320	321	360				
630 000	31,5	-	-	-	-	-	-	-	21,2 4 050	34,1 6 740	45,8 9 080	65,6 13 380	87,2 17 530	136 26 850	173 34 800	237 44 290	295 55 110	360 69 880	31,5	1600	50	
	31,5	0,97 185	1,67 330	1,95 385	3,17 595	3,48 655	7,46 1 460	13,1 2 530	-	28,5 5 340	-	57,8 11 280	-	-	-	-	-	-	31,5	1600		
	31,5	-	1,23 230	1,36 255	2,4 465	2,98 580	5,82 1 050	10,9 2 030	-	21,3 3 910	-	43,5 7 980	-	87,2 16 520	-	-	-	-	-	31,5	1600	
	28	-	-	-	-	-	-	-	21,8 4 250	37,2 7 330	49,7 9 770	70,7 14 240	87,1 18 000	135 27 480	173 35 560	236 45 000	293 56 000	361 71 000	28	1400		
	25	-	-	-	-	-	-	-	21,4 4 010	39,1 7 480	45 8 940	72,1 14 880	88,8 17 820	139 28 770	176 35 500	235 45 000	292 56 000	357 71 000	25	1250		
	25	0,82 150	1,33 255	1,68 320	2,89 575	3,3 655	5,93 1 090	12,9 2 470	-	25,3 4 750	-	50,5 9 500	-	100 19 460	-	-	-	-	-	25	1250	
	22,4	-	-	-	-	-	-	-	20,9 4 250	36,2 7 340	44,6 9 000	74,5 14 210	91,9 18 000	136 27 470	175 35 500	229 45 000	286 56 000	352 71 000	22,4	1120		
	20	-	-	-	-	-	-	-	19,2 3 740	35,4 6 960	41,4 8 440	73,3 14 330	82,9 15 760	137 28 130	163 32 470	229 45 000	285 56 000	327 66 600	20	1000		
	20	0,82 150	1,41 270	1,74 330	2,89 575	3,34 665	7,33 1 350	13,5 2 570	18,2 3 480	30 5 640	36,1 6 990	57 10 720	72 13 940	111 21 430	144 27 550	186 35 010	257 48 290	292 56 530	20	1000		
	18	-	-	-	-	-	-	-	17,9 3 420	29,2 5 580	35,8 7 090	58,3 11 130	70,7 14 000	117 22 140	142 27 120	178 34 000	255 48 700	279 54 500	18	900		
	16	0,83 150	1,43 270	1,76 330	2,93 575	3,39 665	7,43 1 350	13,7 2 570	19,1 3 600	30,4 5 640	39,7 7 580	61,4 11 380	86 16 410	123 23 450	156 29 410	183 35 500	235 45 650	315 60 170	16	800		
	14	-	-	-	-	-	-	-	19,6 3 750	32,7 6 240	39,2 7 770	64,1 12 240	80,5 15 940	123 23 340	155 29 530	201 38 290	251 47 980	307 59 810	14	710		
12,5	0,95 180	1,6 305	2,01 385	3,35 670	3,88 775	7,39 1 390	15,8 3 020	17,6 3 430	31,5 6 210	35,4 7 030	61,6 12 170	71,7 13 960	123 23 550	139 27 030	187 36 380	231 44 940	291 55 730	12,5	630			
11,2	-	-	-	-	-	-	-	19,9 3 830	29,3 5 700	41 8 150	55,3 10 620	82,2 16 360	111 21 500	166 31 900	197 37 050	245 46 200	309 60 510	11,2	560			
560 000	200	-	-	-	-	-	875 ICI/192	2 060 ICI/199	-	4 000 ICI/196	-	8 160 ICI/196	-	-	-	-	-	-				
	160	-	-	-	-	-	-	-	3 450 C2I/151	5 150 C2I/154	7 300 C2I/158	10 600 C2I/151	14 500 C2I/156	21 200 C2I/156	29 740 C2I/154	36 500 C2I/156	43 700 C2I/156	58 660 C2I/161				
	160	-	-	-	-	-	1 210 ICI/154	2 360 ICI/159	2 600 ICI/159	4 770 ICI/157	5 500 ICI/162	8 760 ICI/157	-	-	-	-	-	-				
	125	-	-	-	-	-	-	-	3 500 C2I/123	6 300 C2I/129	7 930 C2I/130	12 800 C2I/127	15 360 C2I/125	22 990 C2I/123	26 130 C2I/125	40 410 C2I/129	50 510 C2I/129	52 040 C2I/127				

For n_1 lower than 560 min⁻¹ see page 195.

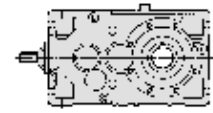
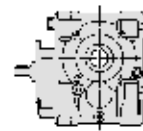
Bevel helical gear reducer selection tables



$n_{N2} \cdot L_h$ min ⁻¹ · h	i_N	P_{N2} kW																i_N	n_1	n_{N2} min ⁻¹	
		M_{N2} N m																			
		50	63	64	80	81	100	125	140	160	180	200	225	250	280	320	321				360
560 000	125	-	-	-	-	-	1 250 ICI/123	2 500 ICI/127	3 200 ICI/127	5 450 ICI/126	7 060 ICI/130	11 440 ICI/126	-	-	-	-	-	-			
	100	-	-	-	-	-	-	-	3 700 C2I/98,2	6 500 C2I/103	8 390 C2I/104	13 410 C2I/102	16 270 C2I/100	24 370 C2I/98,5	30 010 C2I/100	43 780 C2I/103	54 730 C2I/103	60 020 C2I/102			
	100	-	240 ICI/99,4	285 ICI/99,4	495 ICI/103	580 ICI/103	1 280 ICI/100	2 730 ICI/102	3 270 ICI/100	5 800 ICI/106	7 300 ICI/102	11 400 ICI/106	-	-	-	-	-	-			
	90	-	-	-	-	-	-	-	3 750 C2I/87,8	6 810 C2I/90,4	7 540 C2I/90	13 310 C2I/87,9	15 880 C2I/90,3	22 810 C2I/89	31 320 C2I/89,7	39 700 C2I/88,8	49 400 C2I/88,8	62 640 C2I/91,4			
	80	-	-	-	-	-	-	-	3 690 C2I/78,6	6 760 C2I/82,7	7 990 C2I/83,1	13 410 C2I/81,4	15 660 C2I/80,2	23 630 C2I/78,8	30 870 C2I/80,3	42 320 C2I/82,6	52 910 C2I/82,6	61 750 C2I/81,2			
	80	150 ICI/75,2	245 ICI/79,5	300 ICI/79,5	530 ICI/82,7	625 ICI/82,7	1 210 ICI/76,7	2 450 ICI/78,1	2 700 ICI/78,1	4 740 ICI/78,1	5 430 ICI/80,5	9 750 ICI/78,1	-	-	-	-	-	-			
	71	-	-	-	-	-	-	-	3 860 C2I/70,2	6 490 C2I/72,3	7 520 C2I/72	12 740 C2I/70,3	16 340 C2I/72,2	23 330 C2I/71,2	32 220 C2I/71,7	40 850 C2I/71,1	50 830 C2I/71,1	64 450 C2I/73,1			
	63	-	-	-	-	-	-	-	17,9 C2I/62	30,4 C2I/65,2	40,8 C2I/65,5	61,3 C2I/64,2	88,6 C2I/63,2	127 C2I/62,1	162 C2I/63,3	-	-	-	63	2800	45
	63	0,74 ICI/60,1	1,15 ICI/63,6	1,42 ICI/63,6	2,37 ICI/66,2	2,77 ICI/66,2	6,48 ICI/61,3	12,1 ICI/62,5	15,3 ICI/62,5	26,6 ICI/62,5	32,2 ICI/64,4	53,6 ICI/62,5	-	-	-	-	-	-	63	2800	
	56	-	-	-	-	-	-	-	18,8 C2I/55,4	32,6 C2I/57	37,2 C2I/56,8	67,3 C2I/55,5	81,9 C2I/56,9	128 C2I/56,1	161 C2I/56,6	-	-	-	56	2500	
	50	-	-	-	-	-	-	-	18,1 C2I/50,4	30,4 C2I/52,1	40,8 C2I/52,4	58,5 C2I/53,9	83,4 C2I/53,1	121 C2I/52,1	154 C2I/53,1	212 C2I/51,3	265 C2I/51,3	303 C2I/50,5	50	2240	
	50	0,78 ICI/49	1,34 ICI/50,9	1,57 ICI/50,9	2,74 ICI/53	3,07 ICI/53	6 ICI/49,9	12,4 ICI/50	16 ICI/49,3	26 ICI/52,5	38 ICI/50,8	51,6 ICI/52,5	-	-	-	-	-	-	50	2240	
	45	-	-	-	-	-	-	-	18,9 C2I/45,1	33,8 C2I/45,6	39,8 C2I/45,4	64,2 C2I/46,6	77 C2I/47,8	122 C2I/47,1	154 C2I/47,5	208 C2I/44,2	259 C2I/44,2	314 C2I/45,4	45	2000	
	40	-	-	-	-	-	-	-	19,3 C2I/38,7	32,3 C2I/39,5	37,9 C2I/41	65,1 C2I/42,6	79,5 C2I/41,4	121 C2I/42,8	156 C2I/41,6	208 C2I/39,5	259 C2I/39,5	317 C2I/41	40	1800	
	40	0,87 ICI/38,6	1,44 ICI/40,1	1,76 ICI/40,1	2,93 ICI/41,8	3,39 ICI/41,8	7,53 ICI/39,4	13 ICI/39,4	14,8 ICI/40,2	30,8 ICI/41,4	33,4 ICI/41,6	57,8 ICI/41,4	-	-	-	-	-	-	40	1800	
	35,5	-	-	-	-	-	-	-	18,7 C2I/37,5	29,7 C2I/37,5	39,8 C2I/37,3	59,9 C2I/35,3	80,3 C2I/36,2	114 C2I/37,2	156 C2I/37,5	205 C2I/36,3	255 C2I/36,3	314 C2I/37,3	35,5	1600	
	31,5	-	-	-	-	-	-	-	18,9 C2I/32	30 C2I/33,1	40,2 C2I/33,2	57,7 C2I/34,2	79,5 C2I/33,7	120 C2I/33,1	152 C2I/33,7	211 C2I/31,3	262 C2I/31,3	320 C2I/32,5	31,5	1400	
	31,5	0,85 ICI/32,1	1,46 ICI/33	1,72 ICI/33	2,82 ICI/31,4	3,09 ICI/31,4	6,55 ICI/32,8	11,6 ICI/32,4	-	25,4 ICI/31,4	-	50,8 ICI/32,7	-	-	-	-	-	-	31,5	1400	

For n_1 lower than 560 min⁻¹ see page 195.

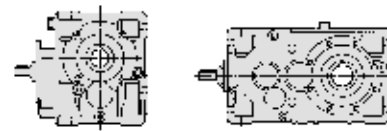
Bevel helical gear reducer selection tables



$n_{N2} \cdot L_h$ min ⁻¹ · h	i_N	P_{N2} kW M_{N2} N m ... / i																i_N	n_1 min ⁻¹	n_{N2}	
		50	63	64	80	81	100	125	140	160	180	200	225	250	280	320	321				360
560 000	31,5	-	1,08 230 CI/31,3	1,2 255 CI/31,3	2,1 465 CI/32,5	2,62 580 CI/32,5	5,12 1 050 CI/30,1	9,58 2 040 CI/31,3	-	18,7 3 930 CI/30,8	-	38,2 8 020 CI/30,8	-	76,6 16 590 CI/31,7	-	-	-	-	31,5	1400	45
	28	-	-	-	-	-	-	19,5 4 250 C2I/28,6	33,3 7 360 C2I/28,9	45 9 900 C2I/28,8	63,3 14 290 C2I/29,5	77,7 18 000 C2I/30,3	121 27 580 C2I/29,9	160 36 790 C2I/30,1	210 45 000 C2I/28	262 56 000 C2I/28	323 71 000 C2I/28,8	28	1250		
	25	-	-	-	-	-	-	19,3 4 030 C2I/24,5	35,1 7 510 C2I/25,1	40,5 8 970 C2I/26	64,8 14 930 C2I/27	80,1 17 940 C2I/26,3	125 28 870 C2I/27,2	158 35 500 C2I/26,4	211 45 000 C2I/25,1	262 56 000 C2I/25,1	320 71 000 C2I/26	25	1120		
	25	0,74 150 CI/24,1	1,2 255 CI/25	1,51 320 CI/25	2,6 575 CI/26	2,97 660 CI/26	5,34 1 100 CI/24,1	11,6 2 480 CI/25	-	22,8 4 790 CI/24,6	-	45,7 9 590 CI/24,6	-	90,8 19 660 CI/25,4	-	-	-	-	25	1120	
	22,4	-	-	-	-	-	-	-	18,7 4 250 C2I/23,8	32,5 7 370 C2I/23,8	39,8 9 000 C2I/23,7	66,7 14 260 C2I/22,4	82 18 000 C2I/23	122 27 570 C2I/23,6	156 35 500 C2I/23,8	205 45 000 C2I/23	255 56 000 C2I/23	314 71 000 C2I/23,7	22,4	1000	
	20	-	-	-	-	-	-	-	17,3 3 750 C2I/20,4	32,9 7 180 C2I/20,6	37,5 8 490 C2I/21,4	68,1 14 790 C2I/20,5	75,3 15 900 C2I/19,9	127 28 860 C2I/21,5	148 32 770 C2I/20,8	206 45 000 C2I/20,6	256 56 000 C2I/20,6	297 67 220 C2I/21,4	20	900	
	20	0,74 150 CI/19,3	1,27 270 CI/20	1,57 335 CI/20	2,61 575 CI/20,8	3,02 665 CI/20,8	6,62 1 350 CI/19,3	12,2 2 580 CI/20	16,5 3 510 CI/20	27,1 5 660 CI/19,7	32,8 7 060 CI/20,3	51,6 10 770 CI/20,3	65,4 14 080 CI/20,3	100 21 550 CI/20,3	131 27 810 CI/20	168 35 160 CI/19,7	232 48 450 CI/19,7	264 56 720 CI/20,3	20	900	
	18	-	-	-	-	-	-	-	15,9 3 420 CI/18	26,2 5 630 CI/18	31,8 7 090 CI/18,7	52,3 11 240 CI/18	62,8 14 000 CI/18,7	105 22 350 CI/17,9	126 27 120 CI/18	160 34 320 CI/18	227 48 700 CI/18	248 54 500 CI/18,4	18	800	
	16	0,74 150 CI/15,2	1,27 270 CI/15,8	1,57 335 CI/15,8	2,61 575 CI/16,4	3,02 665 CI/16,4	6,62 1 350 CI/15,2	12,1 2 570 CI/15,8	17,1 3 620 CI/15,8	27,1 5 660 CI/15,5	36,5 7 860 CI/16	54,7 11 430 CI/15,5	76,6 16 470 CI/16	109 23 530 CI/16	140 29 620 CI/15,8	164 35 850 CI/16,3	209 45 830 CI/16,3	290 62 360 CI/16	16	710	
	14	-	-	-	-	-	-	-	17,6 3 780 CI/14,2	30 6 460 CI/14,2	35,4 7 900 CI/14,7	57,3 12 330 CI/14,2	71,7 16 000 CI/14,7	110 23 480 CI/14,1	139 29 840 CI/14,2	180 38 670 CI/14,2	231 49 730 CI/14,2	282 62 000 CI/14,5	14	630	
	12,5	0,85 180 CI/12,4	1,43 305 CI/12,6	1,79 385 CI/12,6	2,99 670 CI/13,1	3,46 775 CI/13,1	6,81 1 440 CI/12,4	14,3 3 070 CI/12,6	16,2 3 540 CI/12,9	29 6 440 CI/13	32,6 7 280 CI/13,1	55,3 12 290 CI/13	63,9 14 000 CI/12,8	111 23 780 CI/12,6	124 27 200 CI/12,9	168 36 720 CI/12,8	206 45 000 CI/12,8	259 55 730 CI/12,6	12,5	560	
	500 000	200	-	-	-	-	900 ICI/192	2 120 ICI/199	-	4 120 ICI/196	-	8 460 ICI/196	-	-	-	-	-	-	-	-	
160		-	-	-	-	-	-	3 630 C2I/151	5 300 C2I/154	7 500 C2I/158	10 900 C2I/151	15 000 C2I/156	21 800 C2I/156	30 830 C2I/154	37 500 C2I/156	45 000 C2I/156	60 800 C2I/161	-	-	-	-
160		-	-	-	-	1 220 ICI/154	2 490 ICI/159	2 700 ICI/159	4 780 ICI/157	5 520 ICI/162	8 990 ICI/157	-	-	-	-	-	-	-	-	-	-
125		-	-	-	-	-	-	3 620 C2I/123	6 500 C2I/129	8 200 C2I/130	13 200 C2I/127	15 890 C2I/125	23 790 C2I/123	26 940 C2I/125	41 810 C2I/129	52 260 C2I/129	52 750 C2I/127	-	-	-	-
125		-	-	-	-	1 280 ICI/123	2 590 ICI/127	3 310 ICI/127	5 690 ICI/126	7 090 ICI/130	11 480 ICI/126	-	-	-	-	-	-	-	-	-	-
100		-	-	-	-	-	-	3 840 C2I/98,2	6 700 C2I/103	8 700 C2I/104	13 460 C2I/102	16 860 C2I/100	25 240 C2I/98,5	30 440 C2I/100	45 360 C2I/103	56 690 C2I/103	60 870 C2I/102	-	-	-	-
100	-	240 ICI/99,4	285 ICI/99,4	495 ICI/103	585 ICI/103	1 280 ICI/100	2 830 ICI/102	3 380 ICI/100	5 820 ICI/106	7 500 ICI/102	11 440 ICI/106	-	-	-	-	-	-	-	-	-	

For n_1 lower than 560 min⁻¹ see page 195.

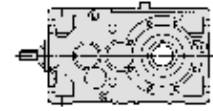
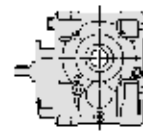
Bevel helical gear reducer selection tables



$n_{N2} \cdot L_h$ min ⁻¹ · h	i_N	P_{N2} kW																i_N	n_1 min ⁻¹	n_{N2} min ⁻¹
		M_{N2} N m																		
		50	63	64	80	81	100	125	140	160	180	200	225	250	280	320	321			
500 000	90	-	-	-	-	-	-	3 800 C2I/87,8	6 900 C2I/90,4	7 810 C2I/90	13 790 C2I/87,9	16 110 C2I/90,3	23 650 C2I/89	31 770 C2I/89,7	40 460 C2I/88,8	50 570 C2I/88,8	63 530 C2I/91,4			
	80	-	-	-	-	-	-	3 740 C2I/78,6	6 790 C2I/82,7	8 290 C2I/83,1	13 460 C2I/81,4	16 140 C2I/80,2	24 490 C2I/78,8	31 320 C2I/80,3	43 870 C2I/82,6	54 840 C2I/82,6	62 630 C2I/81,2			
	80	150 ICI/75,2	245 ICI/79,5	305 ICI/79,5	535 ICI/82,7	625 ICI/82,7	1 220 ICI/76,7	2 490 ICI/78,1	2 740 ICI/78,1	4 810 ICI/78,1	5 500 ICI/80,5	9 890 ICI/78,1	-	-	-	-	-			
	71	-	-	-	-	-	-	16,3 3 910 C2I/70,2	27,3 6 720 C2I/72,3	31,1 7 630 C2I/72	55 13 200 C2I/70,3	67,3 16 570 C2I/72,2	97,4 23 660 C2I/71,2	134 32 680 C2I/71,7	-	-	-	71	2800	40
	63	-	-	-	-	-	-	16,2 3 840 C2I/62	27,3 6 790 C2I/65,2	36,5 9 140 C2I/65,5	54,9 13 460 C2I/64,2	79,6 19 210 C2I/63,2	114 27 000 C2I/62,1	145 35 000 C2I/63,3	-	-	-	63	2500	
	63	0,66 150 ICI/60,1	1,04 255 ICI/63,6	1,29 315 ICI/63,6	2,14 540 ICI/66,2	2,48 625 ICI/66,2	5,8 1 360 ICI/61,3	10,8 2 590 ICI/62,5	13,9 3 310 ICI/62,5	23,8 5 690 ICI/62,5	28,8 7 090 ICI/64,4	48,1 11 480 ICI/62,5	-	-	-	-	-	63	2500	
	56	-	-	-	-	-	-	17 4 020 C2I/55,4	30,4 7 380 C2I/57	33,4 8 100 C2I/56,8	60,5 14 310 C2I/55,5	75,8 18 400 C2I/56,9	115 27 620 C2I/56,1	149 36 010 C2I/56,6	184 43 940 C2I/56	230 54 920 C2I/56	273 67 130 C2I/57,6	56	2240	
	50	-	-	-	-	-	-	16,4 3 950 C2I/50,4	27,3 6 790 C2I/52,1	36,5 9 140 C2I/52,4	52,4 13 480 C2I/53,9	75,9 19 240 C2I/53,1	109 27 040 C2I/52,1	138 35 050 C2I/53,1	190 46 550 C2I/51,3	238 58 190 C2I/51,3	274 66 120 C2I/50,5	50	2000	
	50	0,7 165 ICI/49	1,2 290 ICI/50,9	1,41 340 ICI/50,9	2,46 620 ICI/53	2,75 695 ICI/53	5,37 1 280 ICI/49,9	11,2 2 680 ICI/50	14,5 3 400 ICI/49,3	23,5 5 890 ICI/52,5	34 8 250 ICI/50,8	46,7 11 700 ICI/52,5	-	-	-	-	-	50	2000	
	45	-	-	-	-	-	-	17,2 4 120 C2I/45,1	30,5 7 380 C2I/45,6	36,2 8 730 C2I/45,4	58 14 330 C2I/46,6	71,5 18 140 C2I/47,8	111 27 660 C2I/47,1	143 36 090 C2I/47,5	187 43 910 C2I/44,2	234 54 890 C2I/44,2	286 68 900 C2I/45,4	45	1800	
	40	-	-	-	-	-	-	17,4 4 020 C2I/38,7	29,7 7 010 C2I/39,5	34,2 8 360 C2I/41	58,9 14 980 C2I/42,6	71,7 17 720 C2I/41,4	111 28 370 C2I/42,8	141 34 940 C2I/41,6	188 44 290 C2I/39,5	234 55 110 C2I/39,5	286 69 880 C2I/41	40	1600	
	40	0,78 180 ICI/38,6	1,29 310 ICI/40,1	1,59 380 ICI/40,1	2,64 660 ICI/41,8	3,06 765 ICI/41,8	6,72 1 580 ICI/39,4	11,7 2 760 ICI/39,4	13,3 3 200 ICI/40,2	27,5 6 780 ICI/41,4	30,8 7 630 ICI/41,6	51,6 12 740 ICI/41,4	-	-	-	-	-	40	1600	
	35,5	-	-	-	-	-	-	16,6 4 250 C2I/37,5	27,1 6 920 C2I/37,5	35,4 9 000 C2I/37,3	54,6 13 140 C2I/35,3	71,4 17 650 C2I/36,2	101 25 700 C2I/37,2	139 35 500 C2I/37,5	182 45 000 C2I/36,3	226 56 000 C2I/36,3	279 71 000 C2I/37,3	35,5	1400	
	31,5	-	-	-	-	-	-	16,9 4 120 C2I/32	26,9 6 790 C2I/33,1	36 9 150 C2I/33,2	51,7 13 490 C2I/34,2	73,4 18 870 C2I/33,7	107 27 060 C2I/33,1	136 35 070 C2I/33,7	188 45 000 C2I/31,3	234 56 000 C2I/31,3	286 71 000 C2I/32,5	31,5	1250	
	31,5	0,77 190 ICI/32,1	1,31 330 ICI/33	1,54 385 ICI/33	2,54 610 ICI/31,4	2,78 665 ICI/31,4	5,87 1 470 ICI/32,8	10,4 2 570 ICI/32,4	-	22,9 5 480 ICI/31,4	-	45,5 11 360 ICI/32,7	-	-	-	-	-	31,5	1250	
	31,5	-	0,97 230 CI/31,3	1,07 255 CI/31,3	1,89 470 CI/32,5	2,35 585 CI/32,5	4,58 1 050 CI/30,1	8,58 2 050 CI/31,3	-	16,8 3 940 CI/30,8	-	34,2 8 050 CI/30,8	-	68,7 16 650 CI/31,7	-	-	-	31,5	1250	
	28	-	-	-	-	-	-	17,4 4 250 C2I/28,6	29,9 7 390 C2I/28,9	40,5 9 930 C2I/28,8	57 14 340 C2I/29,5	69,6 18 000 C2I/30,3	109 27 670 C2I/29,9	148 38 020 C2I/30,1	188 45 000 C2I/28	235 56 000 C2I/28	289 71 000 C2I/28,8	28	1120	
	25	-	-	-	-	-	-	17,3 4 060 C2I/24,5	31,5 7 540 C2I/25,1	36,3 9 000 C2I/26	58,1 14 990 C2I/27	71,8 18 000 C2I/26,3	112 28 980 C2I/27,2	141 35 500 C2I/26,4	188 45 000 C2I/25,1	234 56 000 C2I/25,1	286 71 000 C2I/26	25	1000	

For n_1 lower than 560 min⁻¹ see page 195.

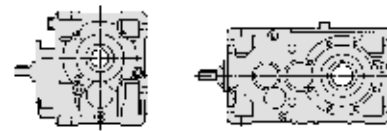
Bevel helical gear reducer selection tables



$n_{N2} \cdot L_h$ min ⁻¹ · h	i_N	P_{N2} kW																i_N	n_1	n_{N2}			
		M_{N2} N m																					
		... / i																					
		50	63	64	80	81	100	125	140	160	180	200	225	250	280	320	321	360					
500 000	25	0,66 150 CI/24,1	1,07 255 CI/25	1,35 325 CI/25	2,33 580 CI/26	2,67 660 CI/26	4,79 1 100 CI/24,1	10,4 2 490 CI/25	-	20,6 4 840 CI/24,6	-	41,4 9 730 CI/24,6	-	81,9 19 860 CI/25,4	-	-	-	-	25	1000	40		
	22,4	-	-	-	-	-	-	-	16,8 4 250 C2I/23,8	29,3 7 390 C2I/23,8	36,5 9 160 C2I/23,7	60,3 14 310 C2I/22,4	73,8 18 000 C2I/23	110 27 660 C2I/23,6	142 35 770 C2I/23,8	184 45 000 C2I/23	229 56 000 C2I/23	283 71 000 C2I/23,7	22,4	900			
	20	-	-	-	-	-	-	-	15,5 3 770 C2I/20,4	30,3 7 440 C2I/20,6	33,6 8 570 C2I/21,4	61,2 14 960 C2I/20,5	67,6 16 070 C2I/19,9	113 28 960 C2I/21,5	133 33 120 C2I/20,8	183 45 000 C2I/20,6	228 56 000 C2I/20,6	266 67 930 C2I/21,4	20	800			
	20	0,66 150 CI/19,3	1,14 270 CI/20	1,4 335 CI/20	2,33 580 CI/20,8	2,69 670 CI/20,8	5,9 1 360 CI/19,3	10,8 2 590 CI/20	14,8 3 530 CI/20	24,2 5 680 CI/19,7	29,5 7 140 CI/20,3	46,1 10 840 CI/19,7	58,8 14 230 CI/20,3	89,4 21 680 CI/20,3	118 28 100 CI/20	150 35 340 CI/19,7	207 48 630 CI/19,7	235 56 930 CI/20,3	20	800			
	18	-	-	-	-	-	-	-	14,1 3 420 CI/18	23,5 5 690 CI/18	28,2 7 090 CI/18,7	46,9 11 350 CI/18	55,8 14 000 CI/18,7	93,9 22 570 CI/17,9	112 27 120 CI/18	143 34 640 CI/18	201 48 700 CI/18	220 54 500 CI/18,4	18	710			
	16	0,66 150 CI/15,2	1,13 270 CI/15,8	1,4 335 CI/15,8	2,33 580 CI/16,4	2,69 670 CI/16,4	5,9 1 360 CI/15,2	10,8 2 570 CI/15,8	15,2 3 630 CI/15,8	24,1 5 680 CI/15,5	33,6 8 150 CI/16	48,7 11 470 CI/15,5	68,1 16 500 CI/16	97,2 23 600 CI/16	126 30 020 CI/15,8	147 36 190 CI/16,3	187 46 000 CI/16,3	267 64 640 CI/16	16	630			
	14	-	-	-	-	-	-	-	16,2 3 910 CI/14,2	26,8 6 480 CI/14,2	32,6 8 180 CI/14,7	51,1 12 370 CI/14,2	63,7 16 000 CI/14,7	98,2 23 600 CI/14,1	125 30 140 CI/14,2	161 39 050 CI/14,2	207 50 000 CI/14,2	259 64 090 CI/14,5	14	560			
	450 000	200	-	-	-	-	-	925 ICI/192	2 180 ICI/199	-	4 250 ICI/196	-	8 500 ICI/196	-	-	-	-	-	-	-		-	-
		160	-	-	-	-	-	-	-	3 640 C2I/151	5 450 C2I/154	7 750 C2I/158	11 500 C2I/151	15 500 C2I/156	22 400 C2I/156	30 700 C2I/154	38 700 C2I/156	46 200 C2I/156	62 990 C2I/161	-		-	-
		160	-	-	-	-	-	1 220 ICI/154	2 500 ICI/159	2 790 ICI/159	4 800 ICI/157	5 540 ICI/162	9 240 ICI/157	-	-	-	-	-	-	-		-	-
125		-	-	-	-	-	-	-	3 740 C2I/123	6 500 C2I/129	8 460 C2I/130	13 500 C2I/127	16 400 C2I/125	24 550 C2I/123	27 810 C2I/125	43 150 C2I/129	53 930 C2I/129	53 420 C2I/127	-	-	-		
125		-	-	-	-	-	1 280 ICI/123	2 600 ICI/127	3 420 ICI/127	5 710 ICI/126	7 110 ICI/130	11 520 ICI/126	-	-	-	-	-	-	-	-	-		
100		-	-	-	-	-	-	-	3 980 C2I/98,2	6 810 C2I/103	9 010 C2I/104	13 510 C2I/102	17 470 C2I/100	26 160 C2I/98,5	30 870 C2I/100	46 730 C2I/103	58 420 C2I/103	61 750 C2I/102	-	-	-		
100		-	240 ICI/99,4	290 ICI/99,4	500 ICI/103	585 ICI/103	1 290 ICI/100	2 890 ICI/102	3 510 ICI/100	5 840 ICI/106	7 500 ICI/102	11 480 ICI/106	-	-	-	-	-	-	-	-	-		
90		-	-	-	-	-	-	-	3 860 C2I/87,8	6 900 C2I/90,4	8 100 C2I/90	14 300 C2I/87,9	16 340 C2I/90,3	24 510 C2I/89	32 220 C2I/89,7	41 940 C2I/88,8	52 420 C2I/88,8	64 450 C2I/91,4	-	-	-		
80		-	-	-	-	-	-	-	14,2 3 790 C2I/78,6	24,2 6 810 C2I/82,7	30,3 8 580 C2I/83,1	48,7 13 510 C2I/81,4	61,1 16 720 C2I/80,2	94,4 25 370 C2I/78,8	116 31 760 C2I/80,3	-	-	-	-	80	2800		
80		0,59 150 ICI/75,2	0,92 250 ICI/79,5	1,14 310 ICI/79,5	1,9 535 ICI/82,7	2,23 630 ICI/82,7	4,67 1 220 ICI/76,7	9,37 2 500 ICI/78,1	10,4 2 770 ICI/78,1	18,3 4 880 ICI/78,1	20,3 5 580 ICI/80,5	37,7 10 030 ICI/78,1	-	-	-	-	-	-	80	2800			
71	-	-	-	-	-	-	-	14,8 3 970 C2I/70,2	25,2 6 960 C2I/72,3	28,1 7 730 C2I/72	50,8 13 650 C2I/70,3	60,9 16 800 C2I/72,2	88,2 23 980 C2I/71,2	121 33 130 C2I/71,7	-	-	-	-	71	2500			

For n_1 lower than 560 min⁻¹ see page 195.

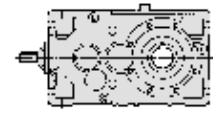
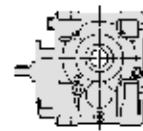
Bevel helical gear reducer selection tables



$n_{N2} \cdot L_h$ min ⁻¹ · h	i_N	P_{N2} kW																i_N	n_1	n_{N2} min ⁻¹		
		M_{N2} N m																				
		... / i																				
		50	63	64	80	81	100	125	140	160	180	200	225	250	280	320	321	360				
450 000	63	-	-	-	-	-	-	-	14,9 3 920	24,5 6 810	32,9 9 180	49,4 13 510	71,5 19 280	102 27 100	130 35 120	168 46 730	210 58 420	254 69 330	63	2240	35,5	
									C2I/62	C2I/65,2	C2I/65,5	C2I/64,2	C2I/63,2	C2I/62,1	C2I/63,3	C2I/65,1	C2I/65,1	C2I/64				
	63	0,59 150	0,95 255	1,17 315	1,94 550	2,24 635	5,22 1 360	9,75 2 600	12,6 3 360	21,4 5 710	25,9 7 110	43,2 11 520	-	-	-	-	-	-	63	2240		
									ICI/60,1	ICI/63,6	ICI/63,6	ICI/66,2	ICI/66,2	ICI/61,3	ICI/62,5	ICI/62,5	ICI/64,4	ICI/62,5				
	56	-	-	-	-	-	-	-	15,4 4 070	27,2 7 410	30 8 120	54,2 14 360	70 19 040	103 27 720	138 37 250	165 44 090	206 55 120	247 68 040	56	2000		
									C2I/55,4	C2I/57	C2I/56,8	C2I/55,5	C2I/56,9	C2I/56,1	C2I/56,6	C2I/56	C2I/56	C2I/57,6				
	50	-	-	-	-	-	-	-	14,9 4 000	24,6 6 810	33 9 170	47,3 13 520	68,6 19 310	98,1 27 130	125 35 170	172 46 700	214 58 380	251 67 100	50	1800		
									C2I/50,4	C2I/52,1	C2I/52,4	C2I/53,9	C2I/53,1	C2I/52,1	C2I/53,1	C2I/51,3	C2I/51,3	C2I/50,5				
	50	0,63 165	1,08 295	1,27 345	2,22 625	2,48 700	4,85 1 290	10,3 2 740	13,2 3 450	21,4 5 970	30,7 8 280	42,6 11 850	-	-	-	-	-	-	50	1800		
									ICI/49	ICI/50,9	ICI/50,9	ICI/53	ICI/53	ICI/49,9	ICI/50	ICI/49,3	ICI/52,5	ICI/50,8	ICI/52,5			
	45	-	-	-	-	-	-	-	15,5 4 180	27,2 7 410	33 8 950	51,8 14 380	65,9 18 790	98,7 27 760	132 37 390	168 44 290	209 55 110	258 69 880	45	1600		
									C2I/45,1	C2I/45,6	C2I/45,4	C2I/46,6	C2I/47,8	C2I/47,1	C2I/47,5	C2I/44,2	C2I/44,2	C2I/45,4				
	40	-	-	-	-	-	-	-	15,5 4 090	27,1 7 300	30,4 8 500	51,8 15 040	63,7 18 000	99,5 29 080	125 35 500	167 45 000	208 56 000	254 71 000	40	1400		
									C2I/38,7	C2I/39,5	C2I/41	C2I/42,6	C2I/41,4	C2I/42,8	C2I/41,6	C2I/39,5	C2I/39,5	C2I/41				
	40	0,68 180	1,15 315	1,41 385	2,35 670	2,72 775	5,9 1 590	10,4 2 800	11,9 3 250	24,1 6 810	28 7 940	45,3 12 790	-	-	-	-	-	-	40	1400		
									ICI/38,6	ICI/40,1	ICI/40,1	ICI/41,8	ICI/41,8	ICI/39,4	ICI/39,4	ICI/40,2	ICI/41,4	ICI/41,6	ICI/41,4			
35,5	-	-	-	-	-	-	-	14,8 4 250	25 7 160	31,6 9 000	50,4 13 600	64,4 17 830	93,4 26 570	126 36 080	162 45 000	202 56 000	249 71 000	35,5	1250			
								C2I/37,5	C2I/37,5	C2I/37,3	C2I/35,3	C2I/36,2	C2I/37,2	C2I/37,5	C2I/36,3	C2I/36,3	C2I/37,3					
31,5	-	-	-	-	-	-	-	15,1 4 120	24,2 6 810	32,4 9 180	46,4 13 530	67,3 19 320	96,3 27 150	122 35 190	168 45 000	210 56 080	256 71 000	31,5	1120			
								C2I/32	C2I/33,1	C2I/33,2	C2I/34,2	C2I/33,7	C2I/33,1	C2I/33,7	C2I/31,3	C2I/31,3	C2I/32,5					
31,5	0,69 190	1,18 330	1,38 385	2,29 615	2,52 675	5,28 1 480	9,31 2 570	-	20,7 5 530	-	40,9 11 400	-	-	-	-	-	-	31,5	1120			
								ICI/32,1	ICI/33	ICI/33	ICI/31,4	ICI/31,4	ICI/32,8	ICI/32,4								
31,5	-	0,87 230	0,96 255	1,7 470	2,11 585	4,12 1 060	7,72 2 060	-	15,1 3 950	-	30,8 8 070	-	61,7 16 710	-	-	-	-	31,5	1120			
								CI/31,3	CI/31,3	CI/32,5	CI/32,5	CI/30,1	CI/31,3									
28	-	-	-	-	-	-	-	15,6 4 250	26,8 7 410	36,3 9 970	51 14 390	62,8 18 170	97,3 27 770	137 39 330	168 45 000	209 56 000	258 71 000	28	1000			
								C2I/28,6	C2I/28,9	C2I/28,8	C2I/29,5	C2I/30,3	C2I/29,9	C2I/30,1	C2I/28	C2I/28	C2I/28,8					
25	-	-	-	-	-	-	-	15,7 4 080	28,4 7 560	32,7 9 030	52,5 15 040	64,6 18 000	101 29 070	127 35 520	169 45 000	211 56 000	257 71 000	25	900			
								C2I/24,5	C2I/25,1	C2I/26	C2I/27	C2I/26,3	C2I/27,2	C2I/26,4	C2I/25,1	C2I/25,1	C2I/26					
25	0,6 150	0,97 255	1,22 325	2,1 580	2,41 665	4,33 1 110	9,41 2 500	-	18,7 4 880	-	37,4 9 770	-	74,5 20 060	-	-	-	-	25	900			
								CI/24,1	CI/25	CI/25	CI/26	CI/26	CI/24,1	CI/25								
22,4	-	-	-	-	-	-	-	15 4 250	26,2 7 420	33,6 9 490	53,8 14 360	65,6 18 000	98,4 27 760	130 37 060	164 45 000	204 56 000	251 71 000	22,4	800			
								C2I/23,8	C2I/23,8	C2I/23,7	C2I/22,4	C2I/23	C2I/23,6	C2I/23,8	C2I/23	C2I/23	C2I/23,7					
20	-	-	-	-	-	-	-	13,8 3 800	27,3 7 570	30,9 8 880	54,5 15 000	60,6 16 230	100 29 000	120 33 610	162 45 000	202 56 000	239 68 640	20	710			
								C2I/20,4	C2I/20,6	C2I/21,4	C2I/20,5	C2I/19,9	C2I/21,5	C2I/20,8	C2I/20,6	C2I/20,6	C2I/21,4					
20	0,59 150	1,01 270	1,25 335	2,07 580	2,39 670	5,25 1 360	9,66 2 600	13,2 3 550	21,5 5 700	26,5 7 230	41,8 11 060	52,7 14 380	80,4 21 960	106 28 400	134 35 510	184 48 820	209 57 150	20	710			
								CI/19,3	CI/20	CI/20,3	CI/19,7	CI/20,3	CI/20,3	CI/20	CI/19,7	CI/19,7	CI/20,3					

For n_1 lower than 560 min⁻¹ see page 195.

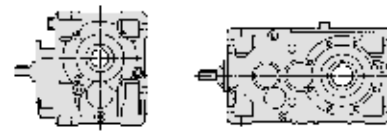
Bevel helical gear reducer selection tables



$n_{N2} \cdot L_h$ min ⁻¹ · h	i_N	P_{N2} kW																i_N	n_1	n_{N2} min ⁻¹		
		M_{N2} N m																				
		... / i																				
		50	63	64	80	81	100	125	140	160	180	200	225	250	280	320	321	360				
450 000	18	-	-	-	-	-	-	-	12,5 3 420 CI/18	21 5 740 CI/18	25,1 7 090 CI/18,7	42 11 460 CI/18	49,5 14 000 CI/18,7	84,2 22 800 CI/17,9	99,4 27 120 CI/18	128 34 970 CI/18	178 48 700 CI/18	195 54 500 CI/18,4	18	630	35,5	
	16	0,59 150 CI/15,2	1,01 270 CI/15,8	1,25 335 CI/15,8	2,07 580 CI/16,4	2,4 670 CI/16,4	5,25 1 360 CI/15,2	9,56 2 570 CI/15,8	13,6 3 640 CI/15,8	21,5 5 700 CI/15,5	30,2 8 250 CI/16	43,4 11 500 CI/15,5	60,5 16 500 CI/16	86,4 23 600 CI/16	116 31 100 CI/15,8	132 36 500 CI/16,3	166 46 170 CI/16,3	245 66 960 CI/16	16	560		
400 000	200	-	-	-	-	-	950 ICI/192	2 240 ICI/199	-	4 450 ICI/196	-	8 750 ICI/196	-	-	-	-	-	-				
	160	-	-	-	-	-	-	-	3 650 C2I/151	5 600 C2I/154	7 750 C2I/158	11 550 C2I/151	15 500 C2I/156	23 000 C2I/156	31 950 C2I/154	38 700 C2I/156	47 500 C2I/156	63 000 C2I/161				
	160	-	-	-	-	-	1 230 ICI/154	2 510 ICI/159	2 810 ICI/159	4 820 ICI/157	5 560 ICI/162	9 450 ICI/157	-	-	-	-	-	-				
	125	-	-	-	-	-	-	-	3 870 C2I/123	6 700 C2I/129	8 770 C2I/130	13 550 C2I/127	16 500 C2I/125	25 440 C2I/123	28 810 C2I/125	44 700 C2I/129	55 870 C2I/129	54 960 C2I/127				
	125	-	-	-	-	-	1 320 ICI/123	2 610 ICI/127	3 540 ICI/127	5 730 ICI/126	7 140 ICI/130	11 560 ICI/126	-	-	-	-	-	-				
	100	-	-	-	-	-	-	-	4 120 C2I/98,2	6 830 C2I/103	9 210 C2I/104	13 560 C2I/102	18 110 C2I/100	27 120 C2I/98,5	31 320 C2I/100	46 910 C2I/103	58 640 C2I/103	62 630 C2I/102				
	100	-	245 ICI/99,4	290 ICI/99,4	500 ICI/103	585 ICI/103	1 290 ICI/100	2 900 ICI/102	3 630 ICI/100	5 860 ICI/106	7 750 ICI/102	11 530 ICI/106	-	-	-	-	-	-				
	90	-	-	-	-	-	-	-	13,1 3 910 C2I/87,8	23 7 100 C2I/90,4	26,6 8 160 C2I/90	48,1 14 420 C2I/87,9	54,9 16 900 C2I/90,3	83,7 25 390 C2I/89	107 32 680 C2I/89,7	-	-	-	-	90	2800	31,5
	80	-	-	-	-	-	-	-	12,9 3 860 C2I/78,6	21,6 6 840 C2I/82,7	28 8 880 C2I/83,1	43,6 13 560 C2I/81,4	56,5 17 290 C2I/80,2	87,2 26 250 C2I/78,8	105 32 190 C2I/80,3	-	-	-	-	80	2500	
	80	0,53 155 ICI/75,2	0,84 255 ICI/79,5	1,03 315 ICI/79,5	1,71 540 ICI/82,7	2 630 ICI/82,7	4,18 1 230 ICI/76,7	8,39 2 500 ICI/78,1	9,42 2 810 ICI/78,1	16,6 4 950 ICI/78,1	18,4 5 660 ICI/80,5	34,1 10 170 ICI/78,1	-	-	-	-	-	-	80	2500		
	71	-	-	-	-	-	-	-	13,4 4 020 C2I/70,2	23,3 7 190 C2I/72,3	25,9 7 950 C2I/72	47,1 14 110 C2I/70,3	55,3 17 020 C2I/72,2	80,8 24 520 C2I/71,2	110 33 560 C2I/71,7	140 42 540 C2I/71,1	175 52 940 C2I/71,1	215 67 130 C2I/73,1	71	2240		
	63	-	-	-	-	-	-	-	13,7 4 060 C2I/62	22 6 830 C2I/65,2	29,4 9 210 C2I/65,5	44,2 13 550 C2I/64,2	64,1 19 350 C2I/63,2	91,7 27 190 C2I/62,1	117 35 250 C2I/63,3	151 46 900 C2I/65,1	189 58 630 C2I/65,1	235 71 730 C2I/64	63	2000		
	63	0,53 155 ICI/60,1	0,86 260 ICI/63,6	1,06 320 ICI/63,6	1,76 555 ICI/66,2	2,03 640 ICI/66,2	4,67 1 370 ICI/61,3	8,74 2 610 ICI/62,5	11,4 3 400 ICI/62,5	19,2 5 730 ICI/62,5	23,4 7 190 ICI/64,4	38,7 11 560 ICI/62,5	-	-	-	-	-	-	63	2000		
	56	-	-	-	-	-	-	-	14 4 120 C2I/55,4	24,6 7 430 C2I/57	27,1 8 150 C2I/56,8	49 14 410 C2I/55,5	65,1 19 650 C2I/56,9	93,4 27 810 C2I/56,1	128 38 450 C2I/56,6	149 44 240 C2I/56	186 55 300 C2I/56	225 68 900 C2I/57,6	56	1800		
	50	-	-	-	-	-	-	-	13,5 4 050 C2I/50,4	22 6 830 C2I/52,1	29,4 9 210 C2I/52,4	42,2 13 580 C2I/53,9	61,2 19 380 C2I/53,1	87,5 27 230 C2I/52,1	111 35 300 C2I/53,1	153 46 880 C2I/51,3	191 58 600 C2I/51,3	231 69 510 C2I/50,5	50	1600		
	50	0,56 165 ICI/49	0,97 295 ICI/50,9	1,13 345 ICI/50,9	1,98 625 ICI/53	2,22 700 ICI/53	4,34 1 290 ICI/49,9	9,5 2 840 ICI/50	11,9 3 490 ICI/49,3	19,3 6 050 ICI/52,5	27,4 8 310 ICI/50,8	38,4 12 020 ICI/52,5	-	-	-	-	-	-	50	1600		

For n_1 lower than 560 min⁻¹ see page 195.

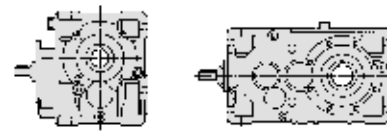
Bevel helical gear reducer selection tables



$n_{N2} \cdot L_h$ min ⁻¹ · h	i_N	P_{N2} kW																i_N	n_1	n_{N2} min ⁻¹		
		M_{N2} N m																				
		... / i																				
		50	63	64	80	81	100	125	140	160	180	200	225	250	280	320	321	360				
400 000	45	-	-	-	-	-	-	-	13,8 4 250	23,9 7 440	30,1 9 320	45,5 14 440	60 19 560	86,7 27 870	120 38 920	149 45 000	186 56 000	229 71 000	45	1400	31,5	
									C21/45,1	C21/45,6	C21/45,4	C21/46,6	C21/47,8	C21/47,1	C21/47,5	C21/44,2	C21/44,2	C21/45,4				
	40	-	-	-	-	-	-	-	13,9 4 110	25 7 550	27,8 8 700	46,4 15 100	56,9 18 000	89,2 29 190	112 35 500	150 45 170	187 56 460	227 71 000	40	1250		
									C21/38,7	C21/39,5	C21/41	C21/42,6	C21/41,4	C21/42,8	C21/41,6	C21/39,5	C21/39,5	C21/41				
	40	0,61 180	1,03 315	1,26 385	2,1 670	2,43 775	5,29 1 590	9,58 2 880	10,6 3 250	21,6 6 840	25,4 8 060	40,6 12 840	-	-	-	-	-	-	40	1250		
		ICI/38,6	ICI/40,1	ICI/40,1	ICI/41,8	ICI/41,8	ICI/39,4	ICI/39,4	ICI/40,2	ICI/41,4	ICI/41,4	ICI/41,6										
	35,5	-	-	-	-	-	-	-	13,3 4 250	23,2 7 400	28,3 9 000	46,7 14 050	58,3 18 000	86,5 27 460	117 37 290	146 45 000	181 56 000	223 71 000	35,5	1120		
									C21/37,5	C21/37,5	C21/37,3	C21/35,3	C21/36,2	C21/37,2	C21/37,5	C21/36,3	C21/36,3	C21/37,3				
	31,5	-	-	-	-	-	-	-	13,5 4 120	21,6 6 840	29 9 210	41,6 13 580	60,3 19 390	86,3 27 250	110 35 320	155 46 410	194 58 020	229 71 000	31,5	1000		
									C21/32	C21/33,1	C21/33,2	C21/34,2	C21/33,7	C21/33,1	C21/33,7	C21/31,3	C21/31,3	C21/32,5				
	31,5	0,62 190	1,06 335	1,23 385	2,05 615	2,33 700	4,73 1 480	8,31 2 570	-	18,5 5 530	-	36,6 11 440	-	-	-	-	-	-	31,5	1000		
		ICI/32,1	ICI/33	ICI/33	ICI/31,4	ICI/31,4	ICI/32,8	ICI/32,4		ICI/31,4		ICI/32,7										
31,5	-	0,78 230	0,86 260	1,52 470	1,89 585	3,69 1 060	6,92 2 060	-	13,5 3 970	-	27,6 8 100	-	55,3 16 770	-	-	-	-	31,5	1000			
		CI/31,3	CI/31,3	CI/32,5	CI/32,5	CI/30,1	CI/31,3		CI/30,8		CI/30,8		CI/31,7									
28	-	-	-	-	-	-	-	14 4 250	24,2 7 440	32,7 10 000	46,1 14 440	58,3 18 760	87,9 27 860	125 39 810	151 45 000	188 56 000	232 71 000	28	900			
								C21/28,6	C21/28,9	C21/28,8	C21/29,5	C21/30,3	C21/29,9	C21/30,1	C21/28	C21/28	C21/28,8					
25	-	-	-	-	-	-	-	14 4 110	25,4 7 590	29,2 9 060	46,8 15 090	57,4 18 000	90 29 180	117 36 800	150 45 000	187 56 000	229 71 000	25	800			
								C21/24,5	C21/25,1	C21/26	C21/27	C21/26,3	C21/27,2	C21/26,4	C21/25,1	C21/25,1	C21/26					
25	0,53 155	0,87 260	1,09 325	1,87 580	2,16 670	3,86 1 110	8,39 2 500	-	16,8 4 930	-	33,6 9 860	-	67,1 20 340	-	-	-	-	25	800			
	CI/24,1	CI/25	CI/25	CI/26	CI/26	CI/24,1	CI/25		CI/24,6		CI/24,6		CI/25,4									
22,4	-	-	-	-	-	-	-	13,3 4 250	23,3 7 450	30,9 9 840	47,9 14 420	58,2 18 000	87,7 27 860	120 38 410	145 45 000	181 56 000	223 71 000	22,4	710			
								C21/23,8	C21/23,8	C21/23,7	C21/22,4	C21/23	C21/23,6	C21/23,8	C21/23	C21/23	C21/23,7					
20	-	-	-	-	-	-	-	12,3 3 820	24,4 7 600	28,4 9 210	48,3 15 000	54,3 16 400	89,1 29 000	110 34 840	144 45 000	179 56 000	214 69 360	20	630			
								C21/20,4	C21/20,6	C21/21,4	C21/20,5	C21/19,9	C21/21,5	C21/20,8	C21/20,6	C21/20,6	C21/21,4					
20	0,52 155	0,9 270	1,1 335	1,84 580	2,12 670	4,66 1 360	8,6 2 610	11,7 3 550	19,2 5 730	23,8 7 310	38,4 11 460	47,3 14 530	73,9 22 760	94,7 28 700	120 35 680	164 49 000	187 57 360	20	630			
	CI/19,3	CI/20	CI/20	CI/20,8	CI/20,8	CI/19,3	CI/20	CI/20	CI/19,7	CI/20,3	CI/19,7	CI/20,3	CI/20,3	CI/20	CI/19,7	CI/19,7	CI/20,3					
18	-	-	-	-	-	-	-	11,1 3 420	18,9 5 790	22,3 7 090	37,7 11 570	44 14 000	75,5 23 000	88,4 27 120	115 35 290	159 48 700	174 54 500	18	560			
								CI/18	CI/18	CI/18,7	CI/18	CI/18,7	CI/17,9	CI/18	CI/18	CI/18	CI/18,4					
355 000	200	-	-	-	-	975 ICI/192	2 320 ICI/199	-	4 460 ICI/196	-	9 110 ICI/196	-	-	-	-	-	-	-				
	160	-	-	-	-	-	-	3 660 C21/151	5 740 C21/154	8 000 C21/158	11 580 C21/151	16 000 C21/156	23 000 C21/156	32 050 C21/154	40 000 C21/156	47 500 C21/156	63 000 C21/161					
	160	-	-	-	-	1 230 ICI/154	2 510 ICI/159	2 820 ICI/159	4 840 ICI/157	5 580 ICI/162	9 750 ICI/157	-	-	-	-	-	-					
	125	-	-	-	-	-	-	3 870 C21/123	6 860 C21/129	8 750 C21/130	13 600 C21/127	17 040 C21/125	26 360 C21/123	29 860 C21/125	46 330 C21/129	57 910 C21/129	56 960 C21/127					

For n_1 lower than 560 min⁻¹ see page 195.

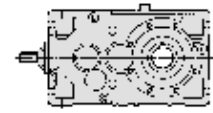
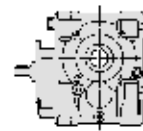
Bevel helical gear reducer selection tables



$n_{N2} \cdot L_h$ min ⁻¹ · h	i_N	P_{N2} kW																i_N	n_1 min ⁻¹	n_{N2} min ⁻¹		
		M_{N2} N m																				
		... / i																				
		50	63	64	80	81	100	125	140	160	180	200	225	250	280	320	321	360				
355 000	31,5	-	0,7 C1/31,3	0,78 C1/31,3	1,37 C1/32,5	1,71 C1/32,5	3,34 C1/30,1	6,24 C1/31,3	-	12,2 C1/30,8	-	24,9 C1/30,8	-	50 C1/31,7	-	-	-	-	31,5	900	28	
	28	-	-	-	-	-	-	-	12,5 C21/28,6	21,6 C21/28,9	29,2 C21/28,8	41,1 C21/29,5	53,7 C21/30,3	78,4 C21/29,9	111 C21/30,1	135 C21/28	168 C21/28	207 C21/28,8	28	800		
	25	-	-	-	-	-	-	-	12,5 C21/24,5	22,6 C21/25,1	26 C21/26	41,7 C21/27	51 C21/26,3	80,2 C21/27,2	108 C21/26,4	138 C21/25,1	172 C21/25,1	203 C21/26	25	710		
	25	0,47 C1/24,1	0,77 C1/25	0,98 C1/25	1,66 C1/26	1,92 C1/26	3,45 C1/24,1	7,48 C1/25	-	15 C1/24,6	-	30,1 C1/24,6	-	60 C1/25,4	-	-	-	-	25	710		
	22,4	-	-	-	-	-	-	-	11,8 C21/23,8	20,8 C21/23,8	28,4 C21/23,7	42,7 C21/22,4	53 C21/23	78,1 C21/23,6	110 C21/23,8	129 C21/23	161 C21/23	198 C21/23,7	22,4	630		
	20	-	-	-	-	-	-	-	11 C21/20,4	21,7 C21/20,6	26,2 C21/21,4	43 C21/20,5	48,8 C21/19,9	79,2 C21/21,5	102 C21/20,8	128 C21/20,6	160 C21/20,6	192 C21/21,4	20	560		
	20	0,47 C1/19,3	0,8 C1/20	0,98 C1/20	1,64 C1/20,8	1,89 C1/20,8	4,14 C1/19,3	7,68 C1/20	10,4 C1/20	17,1 C1/19,7	21,4 C1/20,3	34,2 C1/19,7	42,4 C1/20,3	68,1 C1/20,3	85 C1/20	108 C1/19,7	146 C1/19,7	166 C1/20,3	20	560		
	315 000	200	-	-	-	-	-	1000 ICI/192	2 330 ICI/199	-	4 480 ICI/196	-	9 150 ICI/196	-	-	-	-	-	-			
160		-	-	-	-	-	-	3 680 C21/151	5 760 C21/154	8 000 C21/158	11 630 C21/151	16 000 C21/156	23 940 C21/156	32 170 C21/154	40 000 C21/156	49 350 C21/156	65 000 C21/161					
160		-	-	-	-	-	1 230 ICI/154	2 520 ICI/159	2 830 ICI/159	4 850 ICI/157	5 600 ICI/162	10 100 ICI/157	-	-	-	-	-					
125		-	-	-	-	-	-	4 000 C21/123	6 880 C21/129	8 750 C21/130	13 650 C21/127	17 110 C21/125	27 330 C21/123	30 950 C21/125	47 240 C21/129	59 050 C21/129	59 040 C21/127					
125		-	-	-	-	-	1 380 ICI/123	2 630 ICI/127	3 630 ICI/127	5 770 ICI/126	7 190 ICI/130	11 650 ICI/126	-	-	-	-	-					
100		-	-	-	-	-	-	11,2 C21/98,2	17,4 C21/103	23,4 C21/104	35,1 C21/102	48,4 C21/100	72,8 C21/98,5	85,9 C21/100	-	-	-	100	2500	25		
100		-	0,64 ICI/99,4	0,77 ICI/99,4	1,28 ICI/103	1,5 ICI/103	3,4 ICI/100	7,53 ICI/102	9,62 ICI/100	14,6 ICI/106	19,9 ICI/102	28,8 ICI/106	-	-	-	-	-	100	2500			
90		-	-	-	-	-	-	10,9 C21/87,8	18,9 C21/90,4	21,4 C21/90	38,7 C21/87,9	47 C21/90,3	71,6 C21/89	87,8 C21/89,7	118 C21/88,8	147 C21/88,8	172 C21/91,4	90	2240			
80		-	-	-	-	-	-	11 C21/78,6	17,4 C21/82,7	23,4 C21/83,1	35,1 C21/81,4	48,3 C21/80,2	72,8 C21/78,8	86,2 C21/80,3	120 C21/82,6	150 C21/82,6	170 C21/81,2	80	2000			
80		0,43 ICI/75,2	0,69 ICI/79,5	0,85 ICI/79,5	1,41 ICI/82,7	1,63 ICI/82,7	3,37 ICI/76,7	6,76 ICI/78,1	7,74 ICI/78,1	13,6 ICI/78,1	15,1 ICI/80,5	28 ICI/78,1	-	-	-	-	-	80	2000			
71	-	-	-	-	-	-	11,1 C21/70,2	19,5 C21/72,3	21,5 C21/72	38,9 C21/70,3	45,6 C21/72,2	69,3 C21/71,2	90,5 C21/71,7	118 C21/71,1	148 C21/71,1	178 C21/73,1	71	1800				

For n_1 lower than 560 min⁻¹ see page 195.

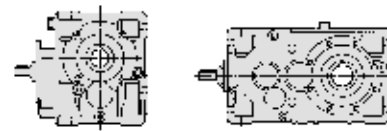
Bevel helical gear reducer selection tables



$n_{N2} \cdot L_h$ min ⁻¹ · h	i_N	P_{N2} kW M_{N2} N m ... / i																i_N	n_1 min ⁻¹	n_{N2}	
		50	63	64	80	81	100	125	140	160	180	200	225	250	280	320	321				360
315 000	63	-	-	-	-	-	-	-	11,7 4 340 C21/62	17,7 6 880 C21/65,2	23,7 9 270 C21/65,5	35,6 13 650 C21/64,2	51,6 19 480 C21/63,2	73,9 27 380 C21/62,1	93,9 35 490 C21/63,3	122 47 230 C21/65,1	152 59 040 C21/65,1	201 76 700 C21/64	63	1600	25
	63	0,43 155 ICI/60,1	0,7 270 ICI/63,6	0,87 330 ICI/63,6	1,45 570 ICI/66,2	1,67 660 ICI/66,2	3,77 1 380 ICI/61,3	7,04 2 630 ICI/62,5	9,5 3 550 ICI/62,5	15,5 5 770 ICI/62,5	19,2 7 380 ICI/64,4	31,2 11 640 ICI/62,5	-	-	-	-	-	-	63	1600	
	56	-	-	-	-	-	-	-	11,3 4 250 C21/55,4	19,3 7 490 C21/57	21,2 8 220 C21/56,8	38,4 14 520 C21/55,5	51,3 19 920 C21/56,9	73,2 28 030 C21/56,1	103 39 900 C21/56,6	118 45 000 C21/56	146 56 000 C21/56	183 71 850 C21/57,6	56	1400	
	50	-	-	-	-	-	-	-	11 4 260 C21/50,4	17,3 6 890 C21/52,1	23,2 9 280 C21/52,4	33,2 13 680 C21/53,9	48,2 19 530 C21/53,1	68,9 27 450 C21/52,1	87,6 35 570 C21/53,1	121 47 240 C21/51,3	151 59 050 C21/51,3	194 74 850 C21/50,5	50	1250	
	50	0,44 165 ICI/49	0,76 295 ICI/50,9	0,89 345 ICI/50,9	1,56 630 ICI/53	1,76 710 ICI/53	3,46 1 320 ICI/49,9	7,66 2 920 ICI/50	9,58 3 610 ICI/49,3	15,3 6 150 ICI/52,5	21,6 8 380 ICI/50,8	30,8 12 330 ICI/52,5	-	-	-	-	-	-	50	1250	
	45	-	-	-	-	-	-	-	11,1 4 250 C21/45,1	19,3 7 490 C21/45,6	25,7 9 960 C21/45,4	36,6 14 540 C21/46,6	50,6 20 600 C21/47,8	69,9 28 070 C21/47,1	99 40 100 C21/47,5	120 45 000 C21/44,2	149 56 000 C21/44,2	183 71 000 C21/45,4	45	1120	
	40	-	-	-	-	-	-	-	11,3 4 160 C21/38,7	20,3 7 650 C21/39,5	23,3 9 130 C21/41	37,4 15 200 C21/42,6	47,4 18 750 C21/41,4	71,9 29 390 C21/42,8	94,9 37 670 C21/41,6	128 48 300 C21/39,5	160 60 370 C21/39,5	181 71 000 C21/41	40	1000	
	40	0,49 180 ICI/38,6	0,82 315 ICI/40,1	1,01 385 ICI/40,1	1,68 670 ICI/41,8	1,94 775 ICI/41,8	4,26 1 600 ICI/39,4	8,19 3 080 ICI/39,4	8,47 3 250 ICI/40,2	17,4 6 880 ICI/41,4	20,4 8 120 ICI/41,6	32,7 12 930 ICI/41,4	-	-	-	-	-	-	40	1000	
	35,5	-	-	-	-	-	-	-	10,7 4 250 C21/37,5	18,9 7 500 C21/37,5	22,7 9 000 C21/37,3	38,8 14 520 C21/35,3	46,8 18 000 C21/36,2	71 28 060 C21/37,2	99,3 39 530 C21/37,5	117 45 000 C21/36,3	146 56 000 C21/36,3	179 71 000 C21/37,3	35,5	900	
	31,5	-	-	-	-	-	-	-	10,8 4 120 C21/32	17,4 6 880 C21/33,1	23,4 9 280 C21/33,2	33,5 13 680 C21/34,2	48,6 19 520 C21/33,7	69,5 27 440 C21/33,1	88,4 35 560 C21/33,7	133 49 630 C21/31,3	166 62 030 C21/31,3	183 71 000 C21/32,5	31,5	800	
	31,5	0,5 190 ICI/32,1	0,85 335 ICI/33	0,98 385 ICI/33	1,66 625 ICI/31,4	1,95 730 ICI/31,4	3,81 1 490 ICI/32,8	7,01 2 710 ICI/32,4	-	14,8 5 530 ICI/31,4	-	29,5 11 530 ICI/32,7	-	-	-	-	-	-	31,5	800	
	31,5	-	0,63 235 CI/31,3	0,7 260 CI/31,3	1,22 475 CI/32,5	1,52 590 CI/32,5	2,98 1 070 CI/30,1	5,57 2 080 CI/31,3	-	10,9 4 000 CI/30,8	-	22,2 8 160 CI/30,8	-	44,6 16 880 CI/31,7	-	-	-	-	31,5	800	
	28	-	-	-	-	-	-	-	11,1 4 250 C21/28,6	19,3 7 490 C21/28,9	26 10 080 C21/28,8	36,6 14 540 C21/29,5	49,4 20 140 C21/30,3	69,8 28 070 C21/29,9	99 40 110 C21/30,1	119 45 000 C21/28	149 56 000 C21/28	183 71 000 C21/28,8	28	710	
	25	-	-	-	-	-	-	-	11,2 4 160 C21/24,5	20,1 7 650 C21/25,1	23,2 9 130 C21/26	37,1 15 210 C21/27	45,4 18 080 C21/26,3	71,4 29 400 C21/27,2	99 39 530 C21/26,4	127 48 110 C21/25,1	158 60 130 C21/25,1	180 71 000 C21/26	25	630	
	25	0,42 155 CI/24,1	0,69 260 CI/25	0,87 330 CI/25	1,47 580 CI/26	1,7 670 CI/26	3,07 1 120 CI/24,1	6,66 2 520 CI/25	-	13,5 5 030 CI/24,6	-	26,9 10 050 CI/24,6	-	53,8 20 700 CI/25,4	-	-	-	-	25	630	
22,4	-	-	-	-	-	-	-	10,5 4 250 C21/23,8	18,5 7 500 C21/23,8	25,3 10 220 C21/23,7	38 14 500 C21/22,4	48,8 19 140 C21/23	69,5 28 000 C21/23,6	98,6 40 000 C21/23,8	115 45 000 C21/23	143 56 000 C21/23	176 71 000 C21/23,7	22,4	560		
280 000	200	-	-	-	-	-	1000 ICI/192	2 340 ICI/199	-	4 490 ICI/196	-	9 180 ICI/196	-	-	-	-	-	-			
	160	-	-	-	-	-	-	3 690 C21/151	5 790 C21/154	8 250 C21/158	11 670 C21/151	16 500 C21/156	24 030 C21/156	32 290 C21/154	41 200 C21/156	49 530 C21/156	65 000 C21/161				

For n_1 lower than 560 min⁻¹ see page 195.

Bevel helical gear reducer selection tables

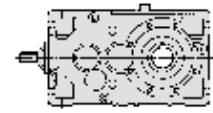
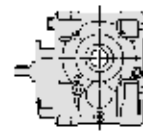


9

$n_{N2} \cdot L_h$ min ⁻¹ · h	i_N	P_{N2} kW																i_N	n_1 min ⁻¹	n_{N2} min ⁻¹		
		M_{N2} N m																				
		... / i																				
		50	63	64	80	81	100	125	140	160	180	200	225	250	280	320	321	360				
280 000	160	-	-	-	-	-	1 240 ICI/154	2 530 ICI/159	2 840 ICI/159	4 870 ICI/157	5 620 ICI/162	10 470 ICI/157	-	-	-	-	-	-				
	125	-	-	-	-	-	-	-	9,81 4 110 C2I/123	15,7 6 910 C2I/129	20,6 9 110 C2I/130	31,6 13 700 C2I/127	40,2 17 170 C2I/125	65,5 27 490 C2I/123	74,9 32 060 C2I/125	-	47 420 C2I/129	59 270 C2I/129	61 170 C2I/127	125	2800	22,4
	125	-	-	-	-	-	3,3 1 380 ICI/123	6,08 2 640 ICI/127	8,4 3 640 ICI/127	13,5 5 790 ICI/126	16,3 7 220 ICI/130	27,3 11 690 ICI/126	-	-	-	-	-	-	125	2800		
	100	-	-	-	-	-	-	-	10,1 4 230 C2I/98,2	15,7 6 910 C2I/103	21 9 310 C2I/104	31,6 13 700 C2I/102	43,5 18 600 C2I/100	65,5 27 490 C2I/98,5	79,5 34 020 C2I/100	108 47 420 C2I/103	135 59 270 C2I/103	153 66 360 C2I/102	100	2240		
	100	-	0,58 245 ICI/99,4	0,69 290 ICI/99,4	1,15 505 ICI/103	1,35 595 ICI/103	3,05 1 300 ICI/100	6,77 2 940 ICI/102	8,65 3 700 ICI/100	13,2 5 930 ICI/106	18,4 8 000 ICI/102	26,1 11 760 ICI/106	-	-	-	-	-	-	100	2240		
	90	-	-	-	-	-	-	-	10,1 4 220 C2I/87,8	17,4 7 520 C2I/90,4	19,2 8 240 C2I/90	34,7 14 570 C2I/87,9	43,4 18 690 C2I/90,3	66,1 28 090 C2I/89	79,5 34 020 C2I/89,7	105 44 740 C2I/88,8	132 55 920 C2I/88,8	156 68 040 C2I/91,4	90	2000		
	80	-	-	-	-	-	-	-	10,2 4 260 C2I/78,6	15,7 6 910 C2I/82,7	21,1 9 310 C2I/83,1	31,7 13 700 C2I/81,4	44,9 19 090 C2I/80,2	65,8 27 490 C2I/78,8	78,6 33 480 C2I/80,3	108 47 410 C2I/82,6	135 59 260 C2I/82,6	155 66 960 C2I/81,2	80	1800		
	80	0,39 155 ICI/75,2	0,63 265 ICI/79,5	0,77 325 ICI/79,5	1,28 565 ICI/82,7	1,48 650 ICI/82,7	3,04 1 240 ICI/76,7	6,11 2 530 ICI/78,1	7,06 2 920 ICI/78,1	12,4 5 140 ICI/78,1	13,8 5 880 ICI/80,5	25,5 10 580 ICI/78,1	-	-	-	-	-	-	80	1800		
	71	-	-	-	-	-	-	-	9,98 4 180 C2I/70,2	17,4 7 520 C2I/72,3	19,2 8 240 C2I/72	34,7 14 570 C2I/70,3	41,3 17 810 C2I/72,2	63,8 27 130 C2I/71,2	81,6 34 940 C2I/71,7	105 44 740 C2I/71,1	132 55 920 C2I/71,1	160 69 880 C2I/73,1	71	1600		
	63	-	-	-	-	-	-	-	10,7 4 520 C2I/62	15,5 6 910 C2I/65,2	20,8 9 310 C2I/65,5	31,3 13 710 C2I/64,2	45,4 19 570 C2I/63,2	64,9 27 500 C2I/62,1	82,5 35 640 C2I/63,3	107 47 430 C2I/65,1	133 59 290 C2I/65,1	177 77 470 C2I/64	63	1400		
	63	0,38 155 ICI/60,1	0,63 270 ICI/63,6	0,77 335 ICI/63,6	1,28 580 ICI/66,2	1,48 670 ICI/66,2	3,31 1 380 ICI/61,3	6,18 2 640 ICI/62,5	8,54 3 640 ICI/62,5	13,6 5 790 ICI/62,5	17,1 7 500 ICI/64,4	27,4 11 690 ICI/62,5	-	-	-	-	-	-	63	1400		
	56	-	-	-	-	-	-	-	10 4 250 C2I/55,4	17,3 7 520 C2I/57	19 8 250 C2I/56,8	34,4 14 570 C2I/55,5	46 19 990 C2I/56,9	65,6 28 130 C2I/56,1	92,7 40 040 C2I/56,6	105 45 000 C2I/56	131 56 000 C2I/56	169 74 330 C2I/57,6	56	1250		
	50	-	-	-	-	-	-	-	10,2 4 400 C2I/50,4	15,5 6 910 C2I/52,1	20,8 9 310 C2I/52,4	29,9 13 730 C2I/53,9	43,3 19 600 C2I/53,1	61,9 27 540 C2I/52,1	78,8 35 700 C2I/53,1	108 47 410 C2I/51,3	135 59 260 C2I/51,3	180 77 360 C2I/50,5	50	1120		
	50	0,4 165 ICI/49	0,68 295 ICI/50,9	0,8 350 ICI/50,9	1,4 635 ICI/53	1,58 715 ICI/53	3,1 1 320 ICI/49,9	6,88 2 930 ICI/50	8,8 3 700 ICI/49,3	13,7 6 150 ICI/52,5	19,4 8 400 ICI/50,8	27,8 12 440 ICI/52,5	-	-	-	-	-	-	50	1120		
	45	-	-	-	-	-	-	-	9,87 4 250 C2I/45,1	17,3 7 520 C2I/45,6	23,3 10 110 C2I/45,4	32,8 14 600 C2I/46,6	45,3 20 680 C2I/47,8	62,6 28 170 C2I/47,1	88,7 40 250 C2I/47,5	107 45 000 C2I/44,2	133 56 000 C2I/44,2	166 72 030 C2I/45,4	45	1000		
	40	-	-	-	-	-	-	-	10,2 4 180 C2I/38,7	18,3 7 670 C2I/39,5	21,1 9 160 C2I/41	33,8 15 250 C2I/42,6	44 19 350 C2I/41,4	64,9 29 490 C2I/42,8	88,2 38 880 C2I/41,6	119 49 850 C2I/39,5	149 62 310 C2I/39,5	163 71 000 C2I/41	40	900		
40	0,45 180 ICI/38,6	0,74 315 ICI/40,1	0,91 385 ICI/40,1	1,51 670 ICI/41,8	1,75 775 ICI/41,8	3,85 1 610 ICI/39,4	7,54 3 160 ICI/39,4	7,62 3 250 ICI/40,2	15,7 6 910 ICI/41,4	18,5 8 140 ICI/41,6	29,5 12 970 ICI/41,4	-	-	-	-	-	-	40	900			
35,5	-	-	-	-	-	-	-	9,49 4 250 C2I/37,5	16,8 7 530 C2I/37,5	20,3 9 050 C2I/37,3	34,6 14 570 C2I/35,3	41,6 18 000 C2I/36,2	63,3 28 160 C2I/37,2	88,6 39 680 C2I/37,5	104 45 000 C2I/36,3	129 56 000 C2I/36,3	159 71 000 C2I/37,3	35,5	800			

For n_1 lower than 560 min⁻¹ see page 195.

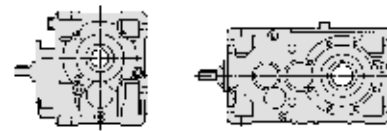
Bevel helical gear reducer selection tables



$n_{N2} \cdot L_h$ min ⁻¹ · h	i_N	P_{N2} kW M_{N2} N m ... i/i																i_N	n_1 min ⁻¹	n_{N2} min ⁻¹			
		50	63	64	80	81	100	125	140	160	180	200	225	250	280	320	321				360		
280 000	31,5	-	-	-	-	-	-	-	9,87 4 250 C21/32	15,5 6 910 C21/33,1	20,8 9 310 C21/33,2	29,9 13 730 C21/34,2	43,3 19 600 C21/33,7	61,9 27 540 C21/33,1	78,7 35 700 C21/33,7	120 50 640 C21/31,3	150 63 300 C21/31,3	162 71 000 C21/32,5	31,5	710	22,4		
	31,5	0,44 190 ICI/32,1	0,76 335 ICI/33	0,87 385 ICI/33	1,48 625 ICI/31,4	1,74 735 ICI/31,4	3,39 1 500 ICI/32,8	6,45 2 810 ICI/32,4	-	13,1 5 530 ICI/31,4	-	26,3 11 570 ICI/32,7	-	-	-	-	-	-	-	31,5	710		
	31,5	-	0,56 235 CI/31,3	0,62 260 CI/31,3	1,09 475 CI/32,5	1,36 595 CI/32,5	2,65 1 070 CI/30,1	4,96 2 090 CI/31,3	-	9,66 4 000 CI/30,8	-	19,8 8 190 CI/30,8	-	39,7 16 950 CI/31,7	-	-	-	-	-	-	31,5	710	
	28	-	-	-	-	-	-	-	9,81 4 250 C21/28,6	17,2 7 520 C21/28,9	23,2 10 120 C21/28,8	32,6 14 600 C21/29,5	45 20 680 C21/30,3	62,2 28 180 C21/29,9	88,2 40 260 C21/30,1	106 45 000 C21/28	132 56 000 C21/28	163 71 000 C21/28,8	28	630			
	25	-	-	-	-	-	-	-	10 4 190 C21/24,5	18 7 680 C21/25,1	20,7 9 170 C21/26	33,1 15 260 C21/27	41,8 18 730 C21/26,3	63,7 29 510 C21/27,2	89 40 000 C21/26,4	117 49 840 C21/25,1	146 62 300 C21/25,1	160 71 000 C21/26	25	560			
	25	0,38 155 CI/24,1	0,61 260 CI/25	0,78 330 CI/25	1,31 580 CI/26	1,51 670 CI/26	2,73 1 120 CI/24,1	5,94 2 530 CI/25	-	12,1 5 070 CI/24,6	-	24,2 10 150 CI/24,6	-	48,3 20 920 CI/25,4	-	-	-	-	-	25	560		
250 000	200	-	-	-	-	-	1 030 ICI/192	2 350 ICI/199	-	4 510 ICI/196	-	9 210 ICI/196	-	-	-	-	-	-	-	-	-	-	
	160	-	-	-	-	-	-	3 710 C21/151	5 810 C21/154	8 430 C21/158	11 710 C21/151	16 890 C21/156	24 120 C21/156	32 410 C21/154	42 260 C21/156	49 720 C21/156	67 000 C21/161	-	-	-	-	-	
	160	-	-	-	-	-	1 240 ICI/154	2 540 ICI/159	2 850 ICI/159	4 890 ICI/157	5 640 ICI/162	10 850 ICI/157	-	-	-	-	-	-	-	-	-	-	
	125	-	-	-	-	-	-	8,79 4 120 C21/123	14,1 6 930 C21/129	18,4 9 140 C21/130	28,3 13 750 C21/127	36 17 230 C21/125	58,7 27 590 C21/123	69,2 33 170 C21/125	-	-	-	-	-	-	125	2500	20
	125	-	-	-	-	-	2,96 1 390 ICI/123	5,45 2 650 ICI/127	7,53 3 660 ICI/127	12,1 5 810 ICI/126	14,6 7 250 ICI/130	24,4 11 730 ICI/126	-	-	-	-	-	-	-	-	125	2500	
	100	-	-	-	-	-	-	9,05 4 240 C21/98,2	14,1 6 930 C21/103	18,8 9 340 C21/104	28,3 13 750 C21/102	39 18 670 C21/100	58,7 27 590 C21/98,5	73,4 35 190 C21/100	96,5 47 590 C21/103	121 59 480 C21/103	142 68 650 C21/102	-	-	-	100	2000	
	100	-	0,52 245 ICI/99,4	0,62 295 ICI/99,4	1,03 505 ICI/103	1,21 595 ICI/103	2,74 1 310 ICI/100	6,07 2 950 ICI/102	7,75 3 710 ICI/100	11,8 5 950 ICI/106	16,4 8 000 ICI/102	23,6 11 920 ICI/106	-	-	-	-	-	-	-	100	2000		
	90	-	-	-	-	-	-	-	9,15 4 260 C21/87,8	15,7 7 540 C21/90,4	17,3 8 270 C21/90	31,3 14 620 C21/87,9	39,5 18 900 C21/90,3	59,8 28 210 C21/89	72,4 34 450 C21/89,7	95,2 44 890 C21/88,8	119 56 110 C21/88,8	142 68 900 C21/91,4	90	1800			
	80	-	-	-	-	-	-	-	9,41 4 410 C21/78,6	14,1 6 930 C21/82,7	18,8 9 340 C21/83,1	28,3 13 750 C21/81,4	41 19 630 C21/80,2	58,7 27 590 C21/78,8	70,9 33 990 C21/80,3	96,5 47 590 C21/82,6	121 59 480 C21/82,6	140 67 910 C21/81,2	80	1600			
	80	0,35 155 ICI/75,2	0,56 270 ICI/79,5	0,69 330 ICI/79,5	1,16 570 ICI/82,7	1,34 660 ICI/82,7	2,72 1 240 ICI/76,7	5,45 2 540 ICI/78,1	6,36 2 970 ICI/78,1	11,2 5 220 ICI/78,1	12,4 5 970 ICI/80,5	23 10 730 ICI/78,1	-	-	-	-	-	-	80	1600			
	71	-	-	-	-	-	-	-	8,87 4 250 C21/70,2	15,3 7 550 C21/72,3	16,9 8 290 C21/72	30,5 14 630 C21/70,3	37,6 18 530 C21/72,2	58,1 28 240 C21/71,2	72,5 35 500 C21/71,7	92,8 45 000 C21/71,1	116 56 160 C21/71,1	142 71 000 C21/73,1	71	1400			
	63	-	-	-	-	-	-	-	9,75 4 610 C21/62	13,9 6 930 C21/65,2	18,7 9 350 C21/65,5	28,1 13 760 C21/64,2	40,7 19 640 C21/63,2	58,2 27 600 C21/62,1	74 35 770 C21/63,3	95,7 47 600 C21/65,1	120 59 500 C21/65,1	159 77 740 C21/64	63	1250			

For n_1 lower than 560 min⁻¹ see page 195.

Bevel helical gear reducer selection tables

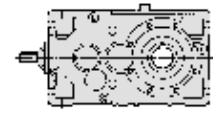
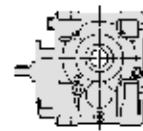


9

$n_{N2} \cdot L_h$ min ⁻¹ · h	i_N	P_{N2} kW																i_N	n_1 min ⁻¹	n_{N2} min ⁻¹	
		M_{N2} N m																			
		... / i																			
		50	63	64	80	81	100	125	140	160	180	200	225	250	280	320	321	360			
250 000	63	0,34 155 ICI/60,1	0,56 270 ICI/63,6	0,69 335 ICI/63,6	1,15 580 ICI/66,2	1,33 670 ICI/66,2	2,97 1 390 ICI/61,3	5,54 2 650 ICI/62,5	7,66 3 660 ICI/62,5	12,2 5 810 ICI/62,5	15,2 7 500 ICI/64,4	24,6 11 730 ICI/62,5	-	-	-	-	-	-	63	1250	20
	56	-	-	-	-	-	-	9,14 4 320 C2I/55,4	15,5 7 540 C2I/57	17,1 8 280 C2I/56,8	30,9 14 620 C2I/55,5	41,3 20 060 C2I/56,9	59 28 230 C2I/56,1	83,3 40 180 C2I/56,6	94,2 45 000 C2I/56	117 56 130 C2I/56	156 76 820 C2I/57,6	56	1120		
	50	-	-	-	-	-	-	9,45 4 550 C2I/50,4	13,9 6 930 C2I/52,1	18,7 9 350 C2I/52,4	26,8 13 780 C2I/53,9	38,8 19 670 C2I/53,1	55,5 27 640 C2I/52,1	70,6 35 830 C2I/53,1	97,1 47 580 C2I/51,3	121 59 470 C2I/51,3	161 77 700 C2I/50,5	50	1000		
	50	0,36 165 ICI/49	0,61 300 ICI/50,9	0,72 350 ICI/50,9	1,26 635 ICI/53	1,41 715 ICI/53	2,77 1 320 ICI/49,9	6,17 2 940 ICI/50	7,88 3 710 ICI/49,3	12,3 6 150 ICI/52,5	17,4 8 430 ICI/50,8	24,8 12 440 ICI/52,5	-	-	-	-	-	-	50	1000	
	45	-	-	-	-	-	-	8,89 4 250 C2I/45,1	15,6 7 540 C2I/45,6	21,1 10 150 C2I/45,4	29,6 14 640 C2I/46,6	40,9 20 750 C2I/47,8	56,5 28 260 C2I/47,1	80,1 40 380 C2I/47,5	96 45 000 C2I/44,2	120 56 100 C2I/44,2	154 74 350 C2I/45,4	45	900		
	40	-	-	-	-	-	-	9,12 4 210 C2I/38,7	16,4 7 750 C2I/39,5	18,8 9 200 C2I/41	30,4 15 460 C2I/42,6	40,3 19 920 C2I/41,4	58,5 29 900 C2I/42,8	81,2 40 280 C2I/41,6	108 51 130 C2I/39,5	135 63 910 C2I/39,5	145 71 000 C2I/41	40	800		
	40	0,4 185 ICI/38,6	0,66 315 ICI/40,1	0,81 385 ICI/40,1	1,34 670 ICI/41,8	1,55 775 ICI/41,8	3,43 1 610 ICI/39,4	6,73 3 170 ICI/39,4	7,01 3 360 ICI/40,2	14 6 930 ICI/41,4	16,5 8 170 ICI/41,6	26,4 13 020 ICI/41,4	-	-	-	-	-	-	40	800	
	35,5	-	-	-	-	-	-	8,42 4 250 C2I/37,5	15 7 550 C2I/37,5	18,7 9 380 C2I/37,3	30,8 14 630 C2I/35,3	37,7 18 380 C2I/36,2	56,4 28 270 C2I/37,2	78,9 39 820 C2I/37,5	92,2 45 000 C2I/36,3	115 56 170 C2I/36,3	144 72 300 C2I/37,3	35,5	710		
	31,5	-	-	-	-	-	-	9,08 4 400 C2I/32	13,8 6 940 C2I/33,1	18,6 9 350 C2I/33,2	26,6 13 780 C2I/34,2	38,6 19 670 C2I/33,7	55,2 27 650 C2I/33,1	70,1 35 830 C2I/33,7	108 51 180 C2I/31,3	135 63 970 C2I/31,3	144 71 000 C2I/32,5	31,5	630		
	31,5	0,39 190 ICI/32,1	0,67 335 ICI/33	0,77 385 ICI/33	1,32 630 ICI/31,4	1,55 740 ICI/31,4	3,02 1 500 ICI/32,8	5,93 2 910 ICI/32,4	-	11,6 5 530 ICI/31,4	-	23,4 11 610 ICI/32,7	-	-	-	-	-	-	31,5	630	
	31,5	-	0,5 235 CI/31,3	0,55 260 CI/31,3	0,97 480 CI/32,5	1,21 595 CI/32,5	2,36 1 080 CI/30,1	4,42 2 090 CI/31,3	-	8,58 4 000 CI/30,8	-	17,6 8 220 CI/30,8	-	35,3 17 000 CI/31,7	-	-	-	-	31,5	630	
	28	-	-	-	-	-	-	8,72 4 250 C2I/28,6	15,3 7 550 C2I/28,9	20,7 10 150 C2I/28,8	29,1 14 650 C2I/29,5	40,2 20 760 C2I/30,3	55,5 28 280 C2I/29,9	78,7 40 410 C2I/30,1	94,2 45 000 C2I/28	117 56 000 C2I/28	146 71 580 C2I/28,8	28	560		
224 000	200	-	-	-	-	1 030 ICI/192	2 350 ICI/199	-	4 530 ICI/196	-	9 250 ICI/196	-	-	-	-	-	-	-			
	160	-	-	-	-	-	7,24 3 720 C2I/151	11,1 5 830 C2I/154	15,7 8 460 C2I/158	22,8 11 760 C2I/151	31,8 16 950 C2I/156	45,4 24 210 C2I/156	62 32 540 C2I/154	-	42 420 C2I/156	49 900 C2I/156	67 000 C2I/161	160	2800	18	
	160	-	-	-	-	2,38 1 250 ICI/154	4,71 2 550 ICI/159	5,27 2 860 ICI/159	9,16 4 910 ICI/157	10,3 5 660 ICI/162	20,9 11 180 ICI/157	-	-	-	-	-	-	160	2800		
	125	-	-	-	-	-	7,9 4 140 C2I/123	12,6 6 960 C2I/129	16,6 9 170 C2I/130	25,5 13 800 C2I/127	32,4 17 290 C2I/125	52,8 27 690 C2I/123	64,1 34 280 C2I/125	86,8 47 750 C2I/129	108 59 690 C2I/129	121 65 400 C2I/127	125	2240			
	125	-	-	-	-	2,66 1 390 ICI/123	4,9 2 660 ICI/127	6,77 3 670 ICI/127	10,9 5 830 ICI/126	13,2 7 270 ICI/130	22 11 770 ICI/126	-	-	-	-	-	-	125	2240		
	100	-	-	-	-	-	8,17 4 260 C2I/98,2	12,7 6 960 C2I/103	17 9 370 C2I/104	25,6 13 800 C2I/102	35,2 18 730 C2I/100	53 27 680 C2I/98,5	67,4 35 880 C2I/100	87,2 47 740 C2I/103	109 59 680 C2I/103	132 70 860 C2I/102	100	1800			

For n_1 lower than 560 min⁻¹ see page 195.

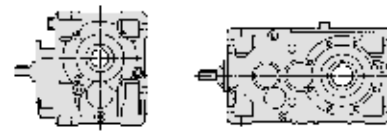
Bevel helical gear reducer selection tables



$n_{N2} \cdot L_h$ min ⁻¹ · h	i_N	P_{N2} kW M_{N2} N m ... / i																i_N	n_1 min ⁻¹	n_{N2}	
		50	63	64	80	81	100	125	140	160	180	200	225	250	280	320	321				360
224 000	100	-	0,47 245 ICI/99,4	0,56 295 ICI/99,4	0,93 510 ICI/103	1,09 600 ICI/103	2,47 1 310 ICI/100	5,48 2 960 ICI/102	7 3 720 ICI/100	10,7 5 970 ICI/106	15,2 8 250 ICI/102	21,5 12 070 ICI/106	-	-	-	-	-	-	100	1800	18
	90	-	-	-	-	-	-	8,17 4 280 C2I/87,8	14,1 7 610 C2I/90,4	15,5 8 300 C2I/90	28 14 720 C2I/87,9	35,2 18 970 C2I/90,3	53,5 28 400 C2I/89	65,3 34 940 C2I/89,7	85,5 45 360 C2I/88,8	107 56 700 C2I/88,8	128 69 880 C2I/91,4	90	1600		
	80	-	-	-	-	-	-	8,57 4 590 C2I/78,6	12,3 6 960 C2I/82,7	16,6 9 380 C2I/83,1	24,9 13 810 C2I/81,4	36 19 710 C2I/80,2	51,6 27 710 C2I/78,8	64,6 35 380 C2I/80,3	84,8 47 790 C2I/82,6	106 59 730 C2I/82,6	125 69 000 C2I/81,2	80	1400		
	80	0,3 155 ICI/75,2	0,5 270 ICI/79,5	0,62 335 ICI/79,5	1,03 580 ICI/82,7	1,19 670 ICI/82,7	2,39 1 250 ICI/76,7	4,79 2 550 ICI/78,1	5,63 3 000 ICI/78,1	9,94 5 300 ICI/78,1	10,9 6 000 ICI/80,5	20,8 11 060 ICI/78,1	-	-	-	-	-	-	80	1400	
	71	-	-	-	-	-	-	7,92 4 250 C2I/70,2	13,8 7 630 C2I/72,3	15,2 8 340 C2I/72	27,5 14 770 C2I/70,3	34,8 19 180 C2I/72,2	52,4 28 510 C2I/71,2	64,8 35 500 C2I/71,7	83,8 45 520 C2I/71,1	105 56 900 C2I/71,1	127 71 000 C2I/73,1	71	1250		
	63	-	-	-	-	-	-	8,77 4 630 C2I/62	12,5 6 960 C2I/65,2	16,8 9 380 C2I/65,5	25,2 13 800 C2I/64,2	36,6 19 700 C2I/63,2	52,3 27 690 C2I/62,1	66,5 35 890 C2I/63,3	86 47 760 C2I/65,1	108 59 710 C2I/65,1	143 78 010 C2I/64	63	1120		
	63	0,3 155 ICI/60,1	0,5 270 ICI/63,6	0,62 335 ICI/63,6	1,03 580 ICI/66,2	1,19 670 ICI/66,2	2,67 1 390 ICI/61,3	4,98 2 660 ICI/62,5	6,88 3 670 ICI/62,5	10,9 5 830 ICI/62,5	13,7 7 500 ICI/64,4	22,1 11 770 ICI/62,5	-	-	-	-	-	-	63	1120	
	56	-	-	-	-	-	-	8,41 4 450 C2I/55,4	14 7 620 C2I/57	15,4 8 330 C2I/56,8	27,8 14 740 C2I/55,5	37 20 130 C2I/56,9	53,1 28 440 C2I/56,1	74,6 40 320 C2I/56,6	84,9 45 420 C2I/56	106 56 780 C2I/56	144 79 480 C2I/57,6	56	1000		
	50	-	-	-	-	-	-	8,65 4 630 C2I/50,4	12,6 6 960 C2I/52,1	16,9 9 380 C2I/52,4	24,2 13 820 C2I/53,9	35 19 730 C2I/53,1	50,1 27 730 C2I/52,1	63,7 35 940 C2I/53,1	87,7 47 730 C2I/51,3	110 59 670 C2I/51,3	146 77 960 C2I/50,5	50	900		
	50	0,32 170 ICI/49	0,55 300 ICI/50,9	0,65 350 ICI/50,9	1,13 640 ICI/53	1,27 715 ICI/53	2,49 1 320 ICI/49,9	5,57 2 950 ICI/50	7,12 3 720 ICI/49,3	11 6 150 ICI/52,5	15,7 8 460 ICI/50,8	22,3 12 440 ICI/52,5	-	-	-	-	-	-	50	900	
	45	-	-	-	-	-	-	8,08 4 350 C2I/45,1	14 7 620 C2I/45,6	18,8 10 190 C2I/45,4	26,7 14 850 C2I/46,6	36,9 21 030 C2I/47,8	50,9 28 650 C2I/47,1	72,2 40 940 C2I/47,5	86 45 320 C2I/44,2	107 56 650 C2I/44,2	142 77 020 C2I/45,4	45	800		
	40	-	-	-	-	-	-	8,15 4 240 C2I/38,7	14,6 7 750 C2I/39,5	16,7 9 230 C2I/41	27,1 15 500 C2I/42,6	35,9 19 990 C2I/41,4	52,8 30 440 C2I/42,8	72,4 40 450 C2I/41,6	97,9 52 060 C2I/39,5	122 65 070 C2I/39,5	131 72 070 C2I/41	40	710		
	40	0,35 185 ICI/38,6	0,58 315 ICI/40,1	0,72 385 ICI/40,1	1,19 670 ICI/41,8	1,38 775 ICI/41,8	3,06 1 620 ICI/39,4	6 3 180 ICI/39,4	6,45 3 480 ICI/40,2	12,5 6 960 ICI/41,4	14,7 8 210 ICI/41,6	23,5 13 070 ICI/41,4	-	-	-	-	-	-	40	710	
	35,5	-	-	-	-	-	-	7,49 4 260 C2I/37,5	13,5 7 670 C2I/37,5	17,2 9 730 C2I/37,3	27,6 14 760 C2I/35,3	34,7 19 050 C2I/36,2	50,8 28 670 C2I/37,2	70,3 39 970 C2I/37,5	83 45 610 C2I/36,3	104 57 010 C2I/36,3	133 74 940 C2I/37,3	35,5	630		
	31,5	-	-	-	-	-	-	8,36 4 560 C2I/32	12,3 6 960 C2I/33,1	16,6 9 380 C2I/33,2	23,7 13 830 C2I/34,2	34,4 19 740 C2I/33,7	49,2 27 750 C2I/33,1	62,6 35 970 C2I/33,7	97,5 52 100 C2I/31,3	122 65 120 C2I/31,3	129 71 610 C2I/32,5	31,5	560		
	31,5	0,35 195 ICI/32,1	0,6 335 ICI/33	0,69 385 ICI/33	1,17 630 ICI/31,4	1,38 740 ICI/31,4	2,68 1 500 ICI/32,8	5,46 3 010 ICI/32,4	-	10,3 5 530 ICI/31,4	-	20,9 11 660 ICI/32,7	-	-	-	-	-	-	31,5	560	
31,5	-	0,44 235 CI/31,3	0,49 265 CI/31,3	0,87 480 CI/32,5	1,08 600 CI/32,5	2,11 1 080 CI/30,1	3,94 2 100 CI/31,3	-	7,62 4 000 CI/30,8	-	15,7 8 250 CI/30,8	-	31,4 17 000 CI/31,7	-	-	-	-	31,5	560		
200 000	200	-	-	-	-	1 060 ICI/192	2 360 ICI/199	-	4 550 ICI/196	-	9 280 ICI/196	-	-	-	-	-	-	-	-	-	-

For n_1 lower than 560 min⁻¹ see page 195.

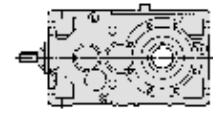
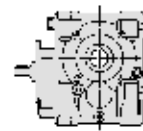
Bevel helical gear reducer selection tables



$n_{N2} \cdot L_h$ min ⁻¹ · h	i_N	P_{N2} kW																i_N	n_1	n_{N2} min ⁻¹
		M_{N2} N m																		
		50	63	64	80	81	100	125	140	160	180	200	225	250	280	320	321			
200 000	160	-	-	-	-	-	-	6,49 3 730	9,95 5 850	14 8 490	20,4 11 800	28,5 17 010	40,7 24 300	55,6 32 650	-	-	-	160	2500	16
	160	-	-	-	-	-	2,13 1 250	4,22 2 560	4,72 2 870	8,21 4 930	9,19 5 680	18,7 11 220	-	-	-	-	-	160	2500	
	125	-	-	-	-	-	-	7,08 4 150	11,4 7 020	14,9 9 210	22,9 13 890	29 17 350	47,4 27 870	59,2 35 460	78,3 48 240	97,9 60 310	112 67 660	125	2000	
	125	-	-	-	-	-	2,38 1 400	4,39 2 670	6,07 3 680	9,75 5 850	11,8 7 300	19,7 11 810	-	-	-	-	-	125	2000	
	100	-	-	-	-	-	-	7,29 4 270	11,4 7 020	15,3 9 450	22,9 13 890	31,4 18 800	47,4 27 870	60,3 36 120	78,3 48 240	97,9 60 310	121 73 410	100	1600	
	100	-	0,42 250	0,5 295	0,83 510	0,97 600	2,2 1 320	4,89 2 970	6,25 3 740	9,61 6 050	13,9 8 500	19,4 12 240	-	-	-	-	-	100	1600	
	90	-	-	-	-	-	-	7,17 4 300	12,6 7 750	13,7 8 380	25 15 020	30,9 19 050	47,7 28 980	58 35 500	76,4 46 280	95,5 57 850	114 71 000	90	1400	
	80	-	-	-	-	-	-	7,77 4 660	11,1 7 040	14,9 9 490	22,4 13 940	32,5 19 900	46,5 27 970	59,1 36 250	76,7 48 420	95,9 60 520	115 71 170	80	1250	
	80	0,27 155	0,45 270	0,55 335	0,92 580	1,06 670	2,14 1 250	4,29 2 560	5,03 3 000	8,88 5 300	9,76 6 000	18,8 11 220	-	-	-	-	-	80	1250	
	71	-	-	-	-	-	-	7,33 4 390	12,6 7 750	13,7 8 380	25 15 020	32,2 19 820	47,7 28 980	58 35 500	76,4 46 280	95,5 57 850	114 71 000	71	1120	
	63	-	-	-	-	-	-	7,87 4 650	11,3 7 030	15,1 9 470	22,7 13 910	32,9 19 860	47,1 27 910	59,8 36 170	77,7 48 310	97,1 60 390	129 78 900	63	1000	
	63	0,27 155	0,45 270	0,55 335	0,92 580	1,06 670	2,39 1 400	4,46 2 660	6,17 3 680	9,81 5 850	12,2 7 500	19,8 11 810	-	-	-	-	-	63	1000	
	56	-	-	-	-	-	-	7,59 4 460	12,8 7 740	13,9 8 370	25,4 14 970	33,4 20 200	48,5 28 900	67,4 40 460	77,6 46 150	97 57 690	134 82 030	56	900	
	50	-	-	-	-	-	-	7,75 4 670	11,3 7 030	15,1 9 470	21,8 14 010	31,6 20 000	45,2 28 110	57,4 36 440	78,7 48 200	98,4 60 250	131 78 720	50	800	
	50	0,29 170	0,49 300	0,58 350	1,01 640	1,13 715	2,21 1 320	4,97 2 970	6,35 3 740	9,82 6 150	14 8 490	19,9 12 440	-	-	-	-	-	50	800	
	45	-	-	-	-	-	-	7,44 4 510	12,6 7 750	16,7 10 220	24,1 15 120	33,3 21 410	46 29 170	65,3 41 680	77,7 46 140	97,1 57 680	131 79 830	45	710	
40	-	-	-	-	-	-	7,25 4 250	12,9 7 750	14,9 9 250	24 15 500	31,9 20 000	47,7 31 000	64,5 40 600	88,5 53 010	111 66 260	120 74 700	40	630		
40	0,32 185	0,52 315	0,64 385	1,06 670	1,22 775	2,74 1 640	5,37 3 210	5,93 3 610	11,2 7 030	13,1 8 240	20,9 13 120	-	-	-	-	-	40	630		

For n_1 lower than 560 min⁻¹ see page 195.

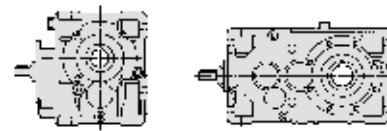
Bevel helical gear reducer selection tables



$n_{N2} \cdot L_h$ min ⁻¹ · h	i_N	P_{N2} kW																i_N	n_1 min ⁻¹	n_{N2} min ⁻¹	
		M_{N2} N m																			
		... / i																			
		50	63	64	80	81	100	125	140	160	180	200	225	250	280	320	321	360			
200 000	35,5	-	-	-	-	-	-	-	6,9 4 420	12,1 7 750	15,8 10 070	25 15 030	31,9 19 730	45,9 29 180	62,5 40 000	75,1 46 430	93,8 58 030	122 77 500	35,5	560	16
									C21/37,5	C21/37,5	C21/37,3	C21/35,3	C21/36,2	C21/37,2	C21/37,5	C21/36,3	C21/36,3	C21/37,3			
180 000	200	-	-	-	-	-	1,62 1 060	3,5 2 370	-	6,81 4 560	-	13,9 9 310	-	-	-	-	-	-	200	2800	14
									ICI/192	ICI/199		ICI/196		ICI/196							
	160	-	-	-	-	-	-	-	5,83 3 750	8,95 5 870	12,6 8 520	18,3 11 840	25,7 17 070	36,6 24 380	50 32 760	64,1 42 720	75,5 50 260	101 69 000	160	2240	
									C21/151	C21/154	C21/158	C21/151	C21/156	C21/156	C21/154	C21/156	C21/156	C21/156	C21/161		
	160	-	-	-	-	-	1,92 1 260	3,79 2 570	4,25 2 880	7,42 4 970	8,31 5 730	16,8 11 260	-	-	-	-	-	-	160	2240	
								ICI/154	ICI/159	ICI/159	ICI/157	ICI/162	ICI/157								
	125	-	-	-	-	-	-	-	6,4 4 170	10,4 7 130	13,4 9 240	20,9 14 110	26,2 17 410	43,4 28 320	53,5 35 600	71,6 49 020	89,5 61 270	104 69 830	125	1800	
									C21/123	C21/129	C21/130	C21/127	C21/125	C21/123	C21/125	C21/129	C21/129	C21/129	C21/127		
	125	-	-	-	-	-	2,15 1 400	3,97 2 680	5,48 3 700	8,8 5 870	10,7 7 320	17,8 11 850	-	-	-	-	-	-	125	1800	
								ICI/123	ICI/127	ICI/127	ICI/126	ICI/130	ICI/126								
	100	-	-	-	-	-	-	-	6,41 4 290	10,2 7 160	13,6 9 620	20,4 14 170	27,6 18 880	42,3 28 440	53,8 36 860	69,9 49 230	87,4 61 540	110 76 410	100	1400	
									C21/98,2	C21/103	C21/104	C21/102	C21/100	C21/98,5	C21/100	C21/103	C21/103	C21/103	C21/102		
	100	-	0,37 250	0,44 295	0,73 515	0,85 600	1,94 1 330	4,29 2 980	5,49 3 750	8,54 6 150	12,2 8 530	17,3 12 440	-	-	-	-	-	-	100	1400	
			ICI/99,4	ICI/99,4	ICI/103	ICI/103	ICI/100	ICI/102	ICI/100	ICI/106	ICI/102	ICI/106									
	90	-	-	-	-	-	-	-	6,43 4 310	11,2 7 750	12,3 8 430	22,7 15 280	27,7 19 110	43,4 29 490	52,9 36 210	69,4 47 080	86,7 58 850	102 71 150	90	1250	
									C21/87,8	C21/90,4	C21/90	C21/87,9	C21/90,3	C21/89	C21/89,7	C21/88,8	C21/88,8	C21/88,8	C21/91,4		
80	-	-	-	-	-	-	-	7,08 4 740	10,2 7 160	13,6 9 620	20,4 14 170	29,6 20 230	42,3 28 440	53,8 36 860	69,9 49 230	87,4 61 540	106 73 560	80	1120		
								C21/78,6	C21/82,7	C21/83,1	C21/81,4	C21/80,2	C21/78,8	C21/80,3	C21/82,6	C21/82,6	C21/81,2				
80	-	0,24 155	0,4 270	0,49 335	0,82 580	0,95 670	1,92 1 260	3,86 2 570	4,5 3 000	7,96 5 300	8,74 6 000	16,9 11 260	-	-	-	-	-	80	1120		
		ICI/75,2	ICI/79,5	ICI/79,5	ICI/82,7	ICI/82,7	ICI/76,7	ICI/78,1	ICI/78,1	ICI/78,1	ICI/80,5	ICI/78,1									
71	-	-	-	-	-	-	-	6,68 4 480	11,2 7 750	12,3 8 430	22,7 15 280	29,4 20 280	43,4 29 490	51,8 35 500	69,4 47 080	86,7 58 850	102 71 000	71	1000		
								C21/70,2	C21/72,3	C21/72	C21/70,3	C21/72,2	C21/71,2	C21/71,7	C21/71,1	C21/71,1	C21/73,1				
63	-	-	-	-	-	-	-	7,19 4 730	10,3 7 140	13,8 9 610	20,8 14 130	30,1 20 180	43 28 360	54,7 36 750	71 49 090	88,8 61 360	118 80 170	63	900		
								C21/62	C21/65,2	C21/65,5	C21/64,2	C21/63,2	C21/62,1	C21/63,3	C21/65,1	C21/65,1	C21/64				
63	-	0,25 155	0,4 270	0,5 335	0,83 580	0,95 670	2,16 1 400	4,03 2 670	5,57 3 690	8,85 5 870	11 7 500	17,9 11 850	-	-	-	-	-	63	900		
		ICI/60,1	ICI/63,6	ICI/63,6	ICI/66,2	ICI/66,2	ICI/61,3	ICI/62,5	ICI/62,5	ICI/62,5	ICI/64,4	ICI/62,5									
56	-	-	-	-	-	-	-	6,78 4 480	11,4 7 750	12,4 8 430	23 15 240	29,8 20 270	43,9 29 420	60,1 40 610	70,2 46 980	87,8 58 730	120 82 710	56	800		
								C21/55,4	C21/57	C21/56,8	C21/55,5	C21/56,9	C21/56,1	C21/56,6	C21/56	C21/56	C21/57,6				
50	-	-	-	-	-	-	-	7 4 750	10,2 7 150	13,7 9 640	19,7 14 270	28,5 20 370	40,8 28 620	51,9 37 100	71,1 49 080	88,9 61 350	118 80 160	50	710		
								C21/50,4	C21/52,1	C21/52,4	C21/53,9	C21/53,1	C21/52,1	C21/53,1	C21/51,3	C21/51,3	C21/50,5				
50	-	0,26 170	0,44 300	0,52 355	0,9 640	1,01 720	1,97 1 320	4,43 2 980	5,66 3 750	8,71 6 150	12,5 8 530	17,6 12 440	-	-	-	-	-	50	710		
		ICI/49	ICI/50,9	ICI/50,9	ICI/53	ICI/53	ICI/49,9	ICI/50	ICI/49,3	ICI/52,5	ICI/50,8	ICI/52,5									
45	-	-	-	-	-	-	-	6,84 4 670	11,2 7 750	14,9 10 260	21,8 15 390	30,1 21 800	41,6 29 710	59 42 440	70,2 46 980	87,7 58 730	120 82 740	45	630		
								C21/45,1	C21/45,6	C21/45,4	C21/46,6	C21/47,8	C21/47,1	C21/47,5	C21/44,2	C21/44,2	C21/45,4				

For n_1 lower than 560 min⁻¹ see page 195.

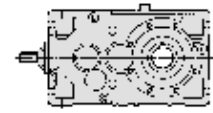
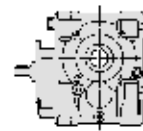
Bevel helical gear reducer selection tables



$n_{N2} \cdot L_h$ min ⁻¹ · h	i_N	P_{N2} kW																i_N	n_1	n_{N2} min ⁻¹
		M_{N2} N m																		
		50	63	64	80	81	100	125	140	160	180	200	225	250	280	320	321			
180 000	40	-	-	-	-	-	-	6,45 4 250	11,5 7 750	13,2 9 250	21,3 15 500	28,3 20 000	43,1 31 500	57,5 40 750	80 53 960	100 67 450	111 77 380	40	560	14
	40	0,29 190	0,46 315	0,57 390	0,94 670	1,1 785	2,48 1 670	4,86 3 270	5,46 3 740	10,1 7 160	11,6 8 250	18,7 13 170	-	-	-	-	-	40	560	
160 000	200	-	-	-	-	-	1,49 1 090	3,14 2 380	-	6,1 4 580	-	12,5 9 350	-	-	-	-	-	200	2500	12,5
	160	-	-	-	-	-	-	5,23 3 760	8,06 5 920	11,4 8 600	16,5 11 920	23,1 17 180	32,9 24 550	44,9 32 980	57,9 43 160	68,1 50 770	92,4 71 000	160	2000	
	160	-	-	-	-	-	1,72 1 260	3,4 2 580	3,81 2 890	6,72 5 040	7,52 5 810	15,1 11 300	-	-	-	-	-	160	2000	
	125	-	-	-	-	-	-	5,71 4 180	9,41 7 260	12 9 270	18,9 14 370	23,4 17 480	39,2 28 830	47,7 35 730	64,8 49 900	81 62 380	95,5 72 350	125	1600	
	125	-	-	-	-	-	1,93 1 420	3,56 2 700	4,89 3 710	7,91 5 940	9,55 7 380	16 11 990	-	-	-	-	-	125	1600	
	100	-	-	-	-	-	-	5,74 4 310	9,22 7 280	12,2 9 650	18,6 14 420	24,7 18 950	38,5 28 930	48,9 37 500	63,5 50 080	79,4 62 600	101 78 640	100	1250	
	100	-	0,33 250	0,39 300	0,65 515	0,77 605	1,74 1 330	3,85 2 990	4,96 3 800	7,63 6 150	11,1 8 630	15,4 12 440	-	-	-	-	-	100	1250	
	90	-	-	-	-	-	-	5,78 4 330	10,1 7 750	11 8 480	20,7 15 500	24,9 19 180	39,5 29 980	48,9 37 420	63,2 47 870	79 59 840	94,4 73 530	90	1120	
	80	-	-	-	-	-	-	6,43 4 820	9,22 7 280	12,2 9 650	18,6 14 420	26,9 20 580	38,5 28 930	48,9 37 500	63,5 50 080	79,4 62 600	98,1 76 100	80	1000	
	80	0,22 160	0,36 270	0,44 335	0,73 580	0,85 670	1,72 1 260	3,46 2 580	4,02 3 000	7,1 5 300	7,81 6 000	15,1 11 300	-	-	-	-	-	80	1000	
	71	-	-	-	-	-	-	6,03 4 490	10,1 7 750	11,1 8 480	20,8 15 500	26,6 20 350	39,7 29 960	47,4 36 090	63,4 47 840	79,3 59 800	91,5 71 000	71	900	
	63	-	-	-	-	-	-	6,51 4 810	9,34 7 270	12,3 9 650	18,8 14 390	27,2 20 540	38,9 28 870	49,5 37 410	64,3 49 970	80,4 62 460	107 81 610	63	800	
	63	0,22 160	0,36 270	0,44 335	0,73 580	0,85 670	1,94 1 420	3,61 2 700	4,97 3 710	7,95 5 930	9,76 7 500	16,1 11 980	-	-	-	-	-	63	800	
	56	-	-	-	-	-	-	6,04 4 490	10,1 7 750	11,1 8 480	20,8 15 500	26,6 20 350	39,7 29 960	53,6 40 760	63,5 47 840	79,3 59 800	107 83 030	56	710	
	50	-	-	-	-	-	-	6,33 4 840	9,22 7 280	12,4 9 820	17,8 14 530	25,8 20 740	36,9 29 150	46,9 37 780	64,3 49 970	80,3 62 470	107 81 620	50	630	
	50	0,23 170	0,39 300	0,46 355	0,8 645	0,9 720	1,74 1 320	3,94 2 990	5,06 3 780	7,73 6 150	11,2 8 620	15,6 12 440	-	-	-	-	-	50	630	

For n_1 lower than 560 min⁻¹ see page 195.

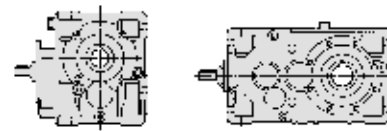
Bevel helical gear reducer selection tables



$n_{N2} \cdot L_h$ min ⁻¹ · h	i_N	P_{N2} kW																i_N	n_1 min ⁻¹	n_{N2} min ⁻¹
		M_{N2} N m																		
		... / i																		
50	63	64	80	81	100	125	140	160	180	200	225	250	280	320	321	360				
160 000	45	-	-	-	-	-	-	6,3 4 840	9,96 7 750	13,3 10 300	19,5 15 500	26,7 21 800	37,6 30 240	53,3 43 200	63,5 47 830	79,4 59 790	111 85 720	45	560	12,5
								C2I/45,1	C2I/45,6	C2I/45,4	C2I/46,6	C2I/47,8	C2I/47,1	C2I/47,5	C2I/44,2	C2I/44,2	C2I/45,4			
140 000	200	-	-	-	-	-	1,34 1 100	2,82 2 390	-	5,49 4 590	-	11,2 9 380	-	-	-	-	-	200	2240	11,2
								ICI/192	ICI/199		ICI/196		ICI/196							
	160	-	-	-	-	-	-	4,78 3 820	7,37 6 010	10,4 8 730	15,1 12 110	21,1 17 460	30,1 24 940	41,1 33 510	52,9 43 850	62,2 51 590	83,2 71 000	160	1800	
								C2I/151	C2I/154	C2I/158	C2I/151	C2I/156	C2I/156	C2I/154	C2I/156	C2I/156	C2I/161			
	160	-	-	-	-	-	1,55 1 270	3,07 2 590	3,47 2 920	6,12 5 100	6,85 5 880	13,6 11 340	-	-	-	-	-	160	1800	
								ICI/154	ICI/159	ICI/159	ICI/157	ICI/162	ICI/157							
	125	-	-	-	-	-	-	5,01 4 200	8,4 7 400	10,5 9 310	16,9 14 660	20,5 17 550	35 29 410	41,9 35 880	57,8 50 920	72,3 63 650	84,1 72 830	125	1400	
								C2I/123	C2I/129	C2I/130	C2I/127	C2I/125	C2I/123	C2I/125	C2I/129	C2I/129	C2I/129			
	125	-	-	-	-	-	1,73 1 450	3,18 2 760	4,29 3 720	7,07 6 060	8,49 7 500	14,3 12 230	-	-	-	-	-	125	1400	
								ICI/123	ICI/127	ICI/127	ICI/126	ICI/130	ICI/126							
	100	-	-	-	-	-	-	5,16 4 320	8,4 7 400	10,9 9 690	16,9 14 660	22,3 19 020	35 29 410	44,6 38 120	57,8 50 920	72,3 63 650	91,1 78 910	100	1120	
								C2I/98,2	C2I/103	C2I/104	C2I/102	C2I/100	C2I/98,5	C2I/100	C2I/103	C2I/103	C2I/102			
	100	-	0,3 255	0,35 300	0,59 515	0,69 605	1,56 1 330	3,46 3 000	4,52 3 860	6,83 6 150	9,76 8 500	13,8 12 440	-	-	-	-	-	100	1120	
				ICI/99,4	ICI/99,4	ICI/103	ICI/103	ICI/100	ICI/102	ICI/100	ICI/106	ICI/102	ICI/106							
	90	-	-	-	-	-	-	5,18 4 340	8,98 7 750	9,89 8 500	18,5 15 500	22,3 19 250	35,9 30 500	45,2 38 710	57,4 48 700	71,7 60 870	87,2 76 070	90	1000	
								C2I/87,8	C2I/90,4	C2I/90	C2I/87,9	C2I/90,3	C2I/89	C2I/89,7	C2I/88,8	C2I/88,8	C2I/91,4			
80	-	-	-	-	-	-	5,88 4 900	8,44 7 400	11 9 680	17 14 650	24,6 20 910	35,2 29 390	44,7 38 100	58,1 50 880	72,6 63 600	91,1 78 550	80	900		
							C2I/78,6	C2I/82,7	C2I/83,1	C2I/81,4	C2I/80,2	C2I/78,8	C2I/80,3	C2I/82,6	C2I/82,6	C2I/81,2				
80	0,2 160	0,32 270	0,4 335	0,66 580	0,76 670	1,56 1 270	3,12 2 590	3,62 3 000	6,39 5 300	7,03 6 000	13,7 11 330	-	-	-	-	-	80	900		
			ICI/75,2	ICI/79,5	ICI/79,5	ICI/82,7	ICI/82,7	ICI/76,7	ICI/78,1	ICI/78,1	ICI/80,5	ICI/78,1								
71	-	-	-	-	-	-	5,38 4 510	8,98 7 750	9,89 8 500	18,5 15 500	23,7 20 420	35,9 30 500	43,7 37 390	57,4 48 700	71,7 60 870	83,9 73 230	71	800		
							C2I/70,2	C2I/72,3	C2I/72	C2I/70,3	C2I/72,2	C2I/71,2	C2I/71,7	C2I/71,1	C2I/71,1	C2I/73,1				
63	-	-	-	-	-	-	5,88 4 900	8,44 7 400	11 9 680	17 14 650	24,6 20 910	35,2 29 390	44,7 38 100	58,1 50 880	72,6 63 600	96,5 83 100	63	710		
							C2I/62	C2I/65,2	C2I/65,5	C2I/64,2	C2I/63,2	C2I/62,1	C2I/63,3	C2I/65,1	C2I/65,1	C2I/64				
63	0,2 160	0,32 270	0,39 335	0,65 580	0,75 670	1,75 1 440	3,27 2 750	4,43 3 720	7,19 6 040	8,66 7 500	14,5 12 190	-	-	-	-	-	63	710		
			ICI/60,1	ICI/63,6	ICI/63,6	ICI/66,2	ICI/66,2	ICI/61,3	ICI/62,5	ICI/62,5	ICI/64,4	ICI/62,5								
56	-	-	-	-	-	-	5,36 4 500	8,97 7 750	9,88 8 500	18,4 15 500	23,7 20 420	35,8 30 500	47,7 40 910	57,3 48 710	71,7 60 890	95,4 83 340	56	630		
							C2I/55,4	C2I/57	C2I/56,8	C2I/55,5	C2I/56,9	C2I/56,1	C2I/56,6	C2I/56	C2I/56	C2I/57,6				
50	-	-	-	-	-	-	5,73 4 930	8,34 7 410	11,2 9 990	16,1 14 790	23,3 21 110	33,4 29 670	42,4 38 460	58,1 50 870	72,7 63 590	96,6 83 090	50	560		
							C2I/50,4	C2I/52,1	C2I/52,4	C2I/53,9	C2I/53,1	C2I/52,1	C2I/53,1	C2I/51,3	C2I/51,3	C2I/50,5				
50	0,2 170	0,35 305	0,41 355	0,72 645	0,8 725	1,55 1 320	3,52 3 000	4,58 3 850	6,87 6 150	10,1 8 770	13,9 12 440	-	-	-	-	-	50	560		
			ICI/50,9	ICI/50,9	ICI/53	ICI/53	ICI/49,9	ICI/50	ICI/49,3	ICI/52,5	ICI/50,8	ICI/52,5								
125 000	200	-	-	-	-	1,2 1 100	2,53 2 400	-	4,92 4 610	-	10 9 410	-	-	-	-	-	200	2000	10	
								ICI/192	ICI/199		ICI/196		ICI/196							

For n_1 lower than 560 min⁻¹ see page 195.

Bevel helical gear reducer selection tables

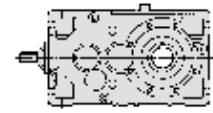
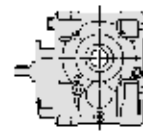


9

$n_{N2} \cdot L_h$ min ⁻¹ · h	i_N	P_{N2} kW																i_N	n_1	n_{N2} min ⁻¹	
		M_{N2} N m																			
		50	63	64	80	81	100	125	140	160	180	200	225	250	280	320	321				360
125 000	160	-	-	-	-	-	-	4,33 3 890	6,67 6 120	9,4 8 890	13,6 12 330	19,1 17 770	27,2 25 390	37,2 34 110	47,9 44 640	56,3 52 520	76 73 000	160	1600	10	
	160	-	-	-	-	-	1,38 1 270	2,74 2 600	3,13 2 970	5,52 5 180	6,18 5 970	12,1 11 380	-	-	-	-	-	160	1600		
	125	-	-	-	-	-	-	4,49 4 210	7,6 7 500	9,42 9 340	15,4 14 920	18,4 17 610	31,8 29 920	37,6 36 010	52,5 51 800	65,7 64 750	75,4 73 090	125	1250		
	125	-	-	-	-	-	1,55 1 460	2,89 2 810	3,85 3 740	6,42 6 160	7,58 7 500	13 12 440	-	-	-	-	-	125	1250		
	100	-	-	-	-	-	-	4,62 4 340	7,6 7 500	9,8 9 720	15,4 14 920	19,9 19 080	31,8 29 920	40,5 38 780	52,5 51 800	65,7 64 750	81,7 79 190	100	1000		
	100	-	0,27 255	0,32 300	0,53 520	0,62 610	1,4 1 340	3,1 3 010	4,1 3 930	6,1 6 150	8,72 8 500	12,3 12 440	-	-	-	-	-	100	1000		
	90	-	-	-	-	-	-	-	4,68 4 360	8,08 7 750	8,9 8 500	16,6 15 500	20,2 19 310	32,8 30 990	41 39 020	52,5 49 480	65,6 61 850	81 78 510	90		900
	80	-	-	-	-	-	-	-	5,32 4 990	7,6 7 500	9,8 9 720	15,4 14 920	22,2 21 200	31,8 29 920	40,5 38 780	52,5 51 800	65,7 64 750	83,9 81 370	80		800
	80	0,18 160	0,29 270	0,35 335	0,59 580	0,69 675	1,39 1 270	2,78 2 600	3,22 3 000	5,68 5 300	6,25 6 000	12,2 11 380	-	-	-	-	-	80	800		
	71	-	-	-	-	-	-	-	4,79 4 530	7,97 7 750	8,78 8 500	16,4 15 500	21,1 20 500	32,4 31 050	40,2 38 750	51,9 49 590	64,8 61 980	77,2 75 900	71		710
	63	-	-	-	-	-	-	-	5,31 4 990	7,59 7 500	9,79 9 720	15,3 14 920	22,1 21 200	31,8 29 930	40,4 38 790	52,5 51 810	65,6 64 760	87,2 84 620	63		630
	63	0,18 165	0,28 270	0,35 335	0,58 580	0,68 680	1,56 1 450	2,95 2 800	3,94 3 740	6,49 6 150	7,68 7 500	13,1 12 420	-	-	-	-	-	63	630		
56	-	-	-	-	-	-	-	4,77 4 500	7,97 7 750	8,78 8 500	16,4 15 500	21,1 20 500	32,4 31 050	42,6 41 070	51,9 49 580	64,9 61 980	85,1 83 650	56	560		
112 000	200	-	-	-	-	-	1,08 1 110	2,28 2 410	-	4,44 4 630	-	9,06 9 450	-	-	-	-	-	200	1800	9	
	160	-	-	-	-	-	-	3,86 3 970	5,95 6 250	8,39 9 070	12,2 12 580	17 18 130	24,3 25 910	33,2 34 810	42,7 45 550	50,3 53 590	66,5 73 000	160	1400		
	160	-	-	-	-	-	1,22 1 280	2,41 2 610	2,77 3 000	4,91 5 260	5,43 6 000	10,7 11 430	-	-	-	-	-	160	1400		
	125	-	-	-	-	-	-	4,04 4 230	6,81 7 500	8,47 9 380	14 15 160	16,5 17 670	29 30 420	33,8 36 130	47,9 52 670	59,1 65 000	67,8 73 340	125	1120		
	125	-	-	-	-	-	1,39 1 460	2,63 2 850	3,46 3 750	5,85 6 270	6,79 7 500	11,8 12 650	-	-	-	-	-	125	1120		

For n_1 lower than 560 min⁻¹ see page 195.

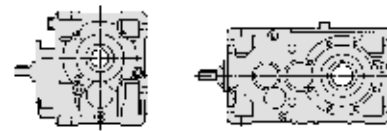
Bevel helical gear reducer selection tables



$n_{N2} \cdot L_h$ min ⁻¹ · h	i_N	P_{N2} kW M_{N2} N m ... / i																i_N	n_1 min ⁻¹	n_{N2} min ⁻¹			
		50	63	64	80	81	100	125	140	160	180	200	225	250	280	320	321				360		
112 000	100	-	-	-	-	-	-	-	4,18 4 350 C21/98,2	6,84 7 500 C21/103	8,85 9 750 C21/104	14 15 150 C21/102	18 19 150 C21/100	29,1 30 400 C21/98,5	36,6 38 990 C21/100	48 52 630 C21/103	59,3 65 000 C21/103	73,7 79 460 C21/102	100	900	9		
	100	-	0,24 255 ICI/99,4	0,28 300 ICI/99,4	0,47 520 ICI/103	0,56 610 ICI/103	1,26 1 340 ICI/100	2,8 3 020 ICI/102	3,75 3 990 ICI/100	5,49 6 150 ICI/106	8,07 8 750 ICI/102	11,1 12 440 ICI/106	-	-	-	-	-	-	100	900			
	90	-	-	-	-	-	-	-	4,17 4 370 C21/87,8	7,18 7 750 C21/90,4	7,91 8 500 C21/90	14,8 15 500 C21/87,9	18 19 380 C21/90,3	29,7 31 500 C21/89	36,6 39 160 C21/89,7	47,5 50 370 C21/88,8	59,4 62 960 C21/88,8	73,7 80 390 C21/91,4	90	800			
	80	-	-	-	-	-	-	-	4,73 5 000 C21/78,6	6,75 7 500 C21/82,7	8,73 9 750 C21/83,1	13,9 15 190 C21/81,4	19,7 21 200 C21/80,2	28,8 30 470 C21/78,8	36,6 39 490 C21/80,3	47,5 52 740 C21/82,6	58,5 65 000 C21/82,6	77,2 84 340 C21/81,2	80	710			
	80	0,16 165 ICI/75,2	0,25 270 ICI/79,5	0,31 335 ICI/79,5	0,53 585 ICI/82,7	0,62 690 ICI/82,7	1,24 1 270 ICI/76,7	2,48 2 610 ICI/78,1	2,85 3 000 ICI/78,1	5,04 5 300 ICI/78,1	5,54 6 000 ICI/80,5	10,9 11 420 ICI/78,1	-	-	-	-	-	-	80	710			
	71	-	-	-	-	-	-	-	4,27 4 540 C21/70,2	7,07 7 750 C21/72,3	7,79 8 500 C21/72	14,5 15 500 C21/70,3	18,8 20 580 C21/72,2	29,2 31 500 C21/71,2	36,9 40 170 C21/71,7	46,9 50 490 C21/71,1	58,6 63 110 C21/71,1	71 78 670 C21/73,1	71	630			
	63	-	-	-	-	-	-	-	4,73 5 000 C21/62	6,75 7 500 C21/65,2	8,73 9 750 C21/65,5	13,9 15 190 C21/63,2	19,7 21 200 C21/63,2	28,8 30 470 C21/62,1	36,6 39 490 C21/63,3	47,5 52 740 C21/65,1	58,5 65 000 C21/65,1	77,8 85 000 C21/64	63	560			
	63	0,16 165 ICI/60,1	0,25 270 ICI/63,6	0,31 335 ICI/63,6	0,52 590 ICI/66,2	0,61 690 ICI/66,2	1,39 1 450 ICI/61,3	2,67 2 850 ICI/62,5	3,52 3 750 ICI/62,5	5,88 6 260 ICI/62,5	6,83 7 500 ICI/64,4	11,9 12 640 ICI/62,5	-	-	-	-	-	-	63	560			
	100 000	200	-	-	-	-	-	0,97 1 110 ICI/192	2,04 2 410 ICI/199	-	3,96 4 640 ICI/196	-	8,09 9 480 ICI/196	-	-	-	-	-	-	200		1600	8
		160	-	-	-	-	-	-	3,51 4 040 C21/151	5,41 6 360 C21/154	7,62 9 230 C21/158	11,1 12 800 C21/151	15,5 18 450 C21/156	22,1 26 350 C21/156	30,1 35 410 C21/154	38,7 46 200 C21/156	45,7 54 500 C21/156	59,4 73 000 C21/161	160	1250			
160		-	-	-	-	-	1,09 1 280 ICI/154	2,16 2 620 ICI/159	2,47 3 000 ICI/159	4,38 5 260 ICI/157	4,85 6 000 ICI/162	9,55 11 470 ICI/157	-	-	-	-	-	160	1250				
125		-	-	-	-	-	-	3,62 4 240 C21/123	6,08 7 500 C21/129	7,59 9 410 C21/130	12,7 15 430 C21/127	14,8 17 740 C21/125	26,1 30 700 C21/123	30,3 36 260 C21/125	43 53 000 C21/129	52,7 65 000 C21/129	60,7 73 610 C21/127	125	1000				
125		-	-	-	-	-	1,25 1 470 ICI/123	2,39 2 900 ICI/127	3,1 3 760 ICI/127	5,31 6 380 ICI/126	6,06 7 500 ICI/130	10,6 12 710 ICI/126	-	-	-	-	-	-	125	1000			
100		-	-	-	-	-	-	3,73 4 370 C21/98,2	6,08 7 500 C21/103	7,9 9 790 C21/104	12,7 15 430 C21/102	16,1 19 220 C21/100	26,1 30 700 C21/98,5	32,7 39 130 C21/100	43 53 000 C21/103	52,7 65 000 C21/103	65,8 79 750 C21/102	100	800				
100		-	0,22 255 ICI/99,4	0,25 300 ICI/99,4	0,42 520 ICI/103	0,5 615 ICI/103	1,13 1 350 ICI/100	2,5 3 030 ICI/102	3,39 4 060 ICI/100	4,88 6 150 ICI/106	7,18 8 750 ICI/102	9,87 12 440 ICI/106	-	-	-	-	-	-	100	800			
90		-	-	-	-	-	-	-	3,72 4 390 C21/87,8	6,37 7 750 C21/90,4	7,02 8 500 C21/90	13,1 15 500 C21/87,9	16 19 460 C21/90,3	26,3 31 500 C21/89	32,6 39 310 C21/89,7	42,9 51 290 C21/88,8	53,6 64 110 C21/88,8	65,6 80 690 C21/91,4	90	710			
80		-	-	-	-	-	-	-	4,2 5 000 C21/78,6	5,99 7 500 C21/82,7	7,74 9 750 C21/83,1	12,5 15 460 C21/81,4	17,4 21 200 C21/80,2	25,7 30 700 C21/78,8	33 40 210 C21/80,3	42,3 53 000 C21/82,6	51,9 65 000 C21/82,6	69 85 000 C21/81,2	80	630			
80		0,14 165 ICI/75,2	0,23 270 ICI/79,5	0,28 335 ICI/79,5	0,48 595 ICI/82,7	0,56 700 ICI/82,7	1,1 1 280 ICI/76,7	2,21 2 620 ICI/78,1	2,53 3 000 ICI/78,1	4,48 5 300 ICI/78,1	4,92 6 000 ICI/80,5	9,68 11 460 ICI/78,1	-	-	-	-	-	-	80	630			

For n_1 lower than 560 min⁻¹ see page 195.

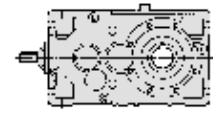
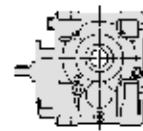
Bevel helical gear reducer selection tables



$n_{N2} \cdot L_h$ min ⁻¹ · h	i_N	P_{N2} kW																i_N	n_1 min ⁻¹	n_{N2} min ⁻¹	
		M_{N2} N m																			
		50	63	64	80	81	100	125	140	160	180	200	225	250	280	320	321				360
100 000	71	-	-	-	-	-	-	3,81 4 560	6,28 7 750	6,92 8 500	12,9 15 500	16,7 20 600	25,9 31 500	33,7 41 200	42,4 51 400	53 64 250	65,4 81 500	71	560	8	
									C21/70,2	C21/72,3	C21/72	C21/70,3	C21/72,2	C21/71,2	C21/71,7	C21/71,1	C21/71,1	C21/73,1			
90 000	200	-	-	-	-	-	0,85 1 110	1,79 2 420	-	3,48 4 660	-	7,1 9 520	-	-	-	-	-	200	1400	7,1	
	160	-	-	-	-	-	-	-	3,2 4 110	4,93 6 460	6,85 9 250	10,1 13 010	13,9 18 500	19,9 26 500	27,4 36 000	34,7 46 200	40,9 54 500	53,2 73 000	160	1120	
										C21/151	C21/154	C21/158	C21/151	C21/156	C21/156	C21/154	C21/156	C21/156	C21/161		
	160	-	-	-	-	-	0,98 1 280	1,94 2 630	2,21 3 000	3,92 5 260	4,35 6 000	8,59 11 510	-	-	-	-	-	-	160	1120	
	125	-	-	-	-	-	-	-	3,27 4 260	5,47 7 500	6,85 9 440	11,5 15 500	13,4 17 800	23,5 30 700	27,3 36 380	38,7 53 000	47,5 65 000	54,8 73 850	125	900	
										C21/123	C21/129	C21/130	C21/127	C21/125	C21/123	C21/125	C21/129	C21/129	C21/127		
	125	-	-	-	-	-	1,13 1 470	2,19 2 950	2,8 3 780	4,86 6 480	5,46 7 500	9,56 12 750	-	-	-	-	-	-	125	900	
100	-	-	-	-	-	-	-	3,31 4 370	5,4 7 500	7,03 9 830	11,3 15 500	14,3 19 290	23,2 30 700	29,1 39 280	38,2 53 000	46,8 65 000	58,6 80 000	100	710		
									C21/98,2	C21/103	C21/104	C21/102	C21/100	C21/98,5	C21/100	C21/103	C21/103	C21/102			
100	-	0,19 255	0,23 305	0,38 525	0,44 615	1 1 350	2,22 3 040	3,07 4 140	4,33 6 150	6,37 8 750	8,76 12 440	-	-	-	-	-	-	100	710		
90	-	-	-	-	-	-	-	3,31 4 400	5,66 7 750	6,23 8 500	11,6 15 500	14,3 19 500	23,3 31 500	29 39 460	38,8 52 230	48,5 65 280	58,5 81 000	90	630		
									C21/87,8	C21/90,4	C21/90	C21/87,9	C21/90,3	C21/89	C21/89,7	C21/88,8	C21/88,8	C21/91,4			
80	-	-	-	-	-	-	-	3,73 5 000	5,32 7 500	6,88 9 750	11,2 15 500	15,5 21 200	22,9 30 700	29,9 40 930	37,6 53 000	46,2 65 000	61,4 85 000	80	560		
									C21/78,6	C21/82,7	C21/83,1	C21/81,4	C21/80,2	C21/78,8	C21/80,3	C21/82,6	C21/82,6	C21/81,2			
80	0,13 165	0,2 275	0,25 345	0,43 610	0,5 710	0,98 1 280	1,97 2 630	2,25 3 000	3,98 5 300	4,37 6 000	8,63 11 500	-	-	-	-	-	-	80	560		
80 000	200	-	-	-	-	-	0,76 1 120	1,6 2 430	-	3,12 4 680	-	6,37 9 550	-	-	-	-	-	200	1250	6,3	
	160	-	-	-	-	-	-	-	2,9 4 180	4,42 6 500	6,11 9 250	9,12 13 200	12,4 18 500	17,8 26 500	24,8 36 500	31 46 200	36,5 54 500	47,5 73 000	160	1000	
	160	-	-	-	-	-	0,88 1 290	1,74 2 640	1,98 3 000	3,5 5 260	3,88 6 000	7,69 11 550	-	-	-	-	-	-	160	1000	
	125	-	-	-	-	-	-	-	2,92 4 270	4,86 7 500	6,12 9 480	10,2 15 500	11,9 17 860	20,9 30 700	24,4 36 520	34,4 53 000	42,2 65 000	48,9 74 130	125	800	
	125	-	-	-	-	-	1,01 1 480	1,98 3 000	2,5 3 790	4,33 6 500	4,85 7 500	8,53 12 800	-	-	-	-	-	-	125	800	
100	-	-	-	-	-	-	-	2,94 4 370	4,79 7 500	6,27 9 860	10 15 500	12,7 19 360	20,6 30 700	25,9 39 430	33,9 53 000	41,5 65 000	52 80 000	100	630		
100	-	0,17 255	0,2 305	0,34 525	0,39 615	0,89 1 360	1,98 3 060	2,77 4 210	3,84 6 150	5,65 8 750	7,77 12 440	-	-	-	-	-	-	100	630		

For n_1 lower than 560 min⁻¹ see page 195.

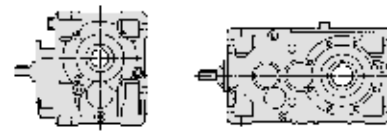
Bevel helical gear reducer selection tables



$n_{N2} \cdot L_h$ min ⁻¹ · h	i_N	P_{N2} kW																	i_N	n_1 min ⁻¹	n_{N2} min ⁻¹
		M_{N2} N m																			
		50	63	64	80	81	100	125	140	160	180	200	225	250	280	320	321	360			
80 000	90	-	-	-	-	-	-	-	2,95 4 420	5,03 7 750	5,54 8 500	10,3 15 500	12,7 19 500	20,8 31 500	25,9 39 610	35,1 53 160	43,9 66 450	52,2 81 300	90	560	6,3
									C21/87,8	C21/90,4	C21/90	C21/87,9	C21/90,3	C21/89	C21/89,7	C21/88,8	C21/88,8	C21/91,4			
71 000	200	-	-	-	-	-	0,68 1 120	1,44 2 440	-	2,8 4 700	-	5,72 9 590	-	-	-	-	-	-	200	1120	5,6
	160	-	-	-	-	-	-	-	2,66 4 240	3,98 6 500	5,5 9 250	8,21 13 200	11,2 18 500	16 26 500	22,4 36 500	27,9 46 200	32,9 54 500	42,8 73 000	160	900	
									C21/151	C21/154	C21/158	C21/151	C21/156	C21/156	C21/154	C21/156	C21/156	C21/161			
	160	-	-	-	-	-	0,79 1 290	1,57 2 640	1,78 3 000	3,15 5 260	3,49 6 000	6,95 11 590	-	-	-	-	-	-	160	900	
	125	-	-	-	-	-	-	-	2,6 4 290	4,32 7 500	5,44 9 500	9,06 15 500	10,6 17 930	18,5 30 700	21,7 36 660	30,5 53 000	37,4 65 000	43,6 74 400	125	710	
									C21/123	C21/129	C21/130	C21/127	C21/125	C21/123	C21/125	C21/129	C21/129	C21/127			
125	-	-	-	-	-	0,9 1 480	1,75 3 000	2,22 3 810	3,84 6 500	4,31 7 500	7,57 12 800	-	-	-	-	-	-	125	710		
100	-	-	-	-	-	-	-	2,61 4 370	4,26 7 500	5,59 9 900	8,93 15 500	11,4 19 430	18,3 30 700	23,1 39 580	30,1 53 000	36,9 65 000	46,2 80 000	100	560		
								C21/98,2	C21/103	C21/104	C21/102	C21/100	C21/98,5	C21/100	C21/103	C21/103	C21/102				
100	-	0,15 255	0,18 305	0,3 530	0,35 615	0,8 1 360	1,77 3 070	2,51 4 290	3,42 6 150	5,02 8 750	6,91 12 440	-	-	-	-	-	-	100	560		
63 000	200	-	-	-	-	-	0,61 1 130	1,29 2 450	-	2,51 4 710	-	5,13 9 620	-	-	-	-	-	200	1000	5	
	160	-	-	-	-	-	-	-	2,4 4 320	3,54 6 500	4,89 9 250	7,3 13 200	9,93 18 500	14,2 26 500	19,9 36 500	24,8 46 200	29,2 54 500	38 73 000	160	800	
									C21/151	C21/154	C21/158	C21/151	C21/156	C21/156	C21/154	C21/156	C21/156	C21/161			
	160	-	-	-	-	-	0,71 1 300	1,4 2 650	1,58 3 000	2,8 5 260	3,1 6 000	6,2 11 630	-	-	-	-	-	-	160	800	
125	-	-	-	-	-	-	-	2,31 4 310	3,83 7 500	4,83 9 500	8,04 15 500	9,48 18 000	16,5 30 700	19,3 36 790	27,1 53 000	33,2 65 000	38,8 74 680	125	630		
								C21/123	C21/129	C21/130	C21/127	C21/125	C21/123	C21/125	C21/129	C21/129	C21/127				
125	-	-	-	-	-	0,8 1 490	1,56 3 000	1,98 3 820	3,41 6 500	3,82 7 500	6,72 12 800	-	-	-	-	-	-	125	630		
56 000	200	-	-	-	-	-	0,55 1 130	1,17 2 460	-	2,27 4 730	-	4,63 9 650	-	-	-	-	-	200	900	4,5	
	160	-	-	-	-	-	-	-	2,16 4 370	3,14 6 500	4,34 9 250	6,48 13 200	8,81 18 500	12,6 26 500	17,6 36 500	22 46 200	25,9 54 500	33,7 73 000	160	710	
									C21/151	C21/154	C21/158	C21/151	C21/156	C21/156	C21/154	C21/156	C21/156	C21/161			
	160	-	-	-	-	-	0,63 1 300	1,25 2 660	1,4 3 000	2,49 5 260	2,76 6 000	5,52 11 670	-	-	-	-	-	-	160	710	
125	-	-	-	-	-	-	-	2,06 4 320	3,4 7 500	4,29 9 500	7,15 15 500	8,43 18 000	14,6 30 700	17,3 36 930	24,1 53 000	29,5 65 000	34,6 74 960	125	560		
								C21/123	C21/129	C21/130	C21/127	C21/125	C21/123	C21/125	C21/129	C21/129	C21/127				
125	-	-	-	-	-	0,71 1 490	1,38 3 000	1,77 3 830	3,03 6 500	3,4 7 500	5,97 12 800	-	-	-	-	-	-	125	560		

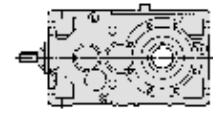
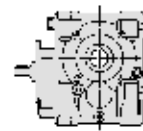
For n_1 lower than 560 min⁻¹ see page 195.

Bevel helical gear reducer selection tables



$n_{N2} \cdot L_h$ min ⁻¹ · h	i_N	P_{N2} kW																i_N	n_1 min ⁻¹	n_{N2} min ⁻¹		
		M_{N2} N m																				
		... / i																				
		50	63	64	80	81	100	125	140	160	180	200	225	250	280	320	321	360				
50 000	200	-	-	-	-	-	0,49 1 130 ICI/192	1,04 2 470 ICI/199	-	2,02 4 750 ICI/196	-	4,13 9 690 ICI/196	-	-	-	-	-	-	-	200	800	4
	160	-	-	-	-	-	-	-	1,91 4 370 C2I/151	2,79 6 500 C2I/154	3,85 9 250 C2I/158	5,75 13 200 C2I/151	7,82 18 500 C2I/156	11,2 26 500 C2I/156	15,7 36 500 C2I/154	19,5 46 200 C2I/156	23 54 500 C2I/156	29,9 73 000 C2I/161	160	630		
	160	-	-	-	-	-	0,56 1 310 ICI/154	1,11 2 670 ICI/159	1,25 3 000 ICI/159	2,21 5 260 ICI/157	2,44 6 000 ICI/162	4,92 11 720 ICI/157	-	-	-	-	-	-	160	630		
45 000	200	-	-	-	-	-	0,44 1 140 ICI/192	0,93 2 480 ICI/199	-	1,8 4 760 ICI/196	-	3,68 9 730 ICI/196	-	-	-	-	-	-	-	200	710	3,55
	160	-	-	-	-	-	-	-	1,7 4 370 C2I/151	2,48 6 500 C2I/154	3,42 9 250 C2I/158	5,11 13 200 C2I/151	6,95 18 500 C2I/156	9,95 26 500 C2I/156	13,9 36 500 C2I/154	17,3 46 200 C2I/156	20,5 54 500 C2I/156	26,6 73 000 C2I/161	160	560		
	160	-	-	-	-	-	0,5 1 310 ICI/154	0,99 2 680 ICI/159	1,11 3 000 ICI/159	1,96 5 260 ICI/157	2,17 6 000 ICI/162	4,39 11 760 ICI/157	-	-	-	-	-	-	160	560		
40 000	200	-	-	-	-	-	0,39 1 140 ICI/192	0,83 2 490 ICI/199	-	1,61 4 780 ICI/196	-	3,27 9 750 ICI/196	-	-	-	-	-	-	200	630	3,15	
35 500	200	-	-	-	-	-	0,35 1 150 ICI/192	0,74 2 500 ICI/199	-	1,43 4 800 ICI/196	-	2,91 9 750 ICI/196	-	-	-	-	-	-	200	560	2,8	

For n_1 lower than 560 min⁻¹ see page 195.



Summary of transmission ratios i , torques M_{N2} [N m] valid for $n_1 \leq 90 \text{ min}^{-1}$

i_N	i																	
	M_{N2} [N m]																	
	50	63	64	80	81	100	125	140	160	180	200	225	250	280	320	321	360	
R CI	4	-	-	-	-	-	-	-	-	-	4,1 6 300	-	4 ¹⁾ 12 200	-	3,9 21 200	3,9 26 500	-	
	5	-	-	-	-	-	5,06 2 300	-	4,89 3 870	-	5,11 9 000	-	5,06 18 500	-	4,89 31 500	4,89 38 700	-	
	6,3	6,53 175	6,57 315	6,57 387	6,27 670	6,27 750	6,53 1 360	6,57 3 000	-	6,27 5 600	-	6,53 11 500	-	6,57 24 300	-	6,27 40 000	6,27 50 000	-
	8	7,85 195	8 ¹⁾ 325	8 ¹⁾ 400	8,33 690	8,33 800	7,85 1 650	8 3 350	8,15 4 120	8,27 7 300	8,31 8 250	8,27 14 500	8,14 16 000	8,21 25 000	8,15 33 500	7,83 40 000	7,83 53 000	8 ¹⁾ 65 000
	9	-	-	-	-	-	-	-	9 ¹⁾ 4 500	9,04 6 000	9,33 9 250	8,93 12 500	9,33 18 000	9,04 28 000	9 ¹⁾ 36 500	8,75 ¹⁾ 45 000	8,75 ¹⁾ 58 000	9,2 ¹⁾ 73 000
	10	10,3 195	10 ¹⁾ 335	10 ¹⁾ 412	10,4 710	10,4 850	9,81 1 700	10 ¹⁾ 3 000	10,2 3 450	10,3 6 900	10,4 7 750	10,3 13 200	10,2 15 000	10 ¹⁾ 30 000	10,2 35 500	10,2 47 500	10,2 58 000	10 ¹⁾ 67 000
	11,2	-	-	-	-	-	-	-	11,3 3 870	11,4 6 500	11,7 8 250	11,3 11 500	11,7 16 500	11,4 24 300	11,3 ¹⁾ 34 500	11 41 200	11 48 700	11,5 ¹⁾ 77 500
	12,5	12,4 200	12,6 345	12,6 437	13,1 730	13,1 875	12,4 1 650	12,6 3 450	12,9 3 870	13 7 500	13,1 8 500	13 12 500	12,8 15 000	12,6 25 000	12,9 28 000	12,8 38 700	12,8 47 500	12,6 56 000
	14	-	-	-	-	-	-	-	14,2 4 250	14,2 7 100	14,7 9 500	14,2 14 500	14,7 17 000	14,1 28 000	14,2 31 500	14,2 45 000	14,2 53 000	14,5 65 000
	16	15,2 175	15,8 280	15,8 355	16,4 ¹⁾ 630	16,4 ¹⁾ 730	15,2 1 500	15,8 3 000	15,8 4 250	15,5 6 500	16 9 250	15,5 13 200	16 18 500	16 26 500	15,8 33 500	16,3 38 700	16,3 48 700	16 71 000
	18	-	-	-	-	-	-	-	18 ¹⁾ 3 450	18 ¹⁾ 6 000	18,7 7 100	18 ¹⁾ 11 800	18,7 14 000	17,9 24 300	18 ¹⁾ 27 200	18 ¹⁾ 40 000	18 ¹⁾ 48 700	18,4 ¹⁾ 54 500
	20	19,3 175	20 ¹⁾ 290	20 ¹⁾ 365	20,8 ¹⁾ 650	20,8 ¹⁾ 775	19,3 1 500	20 ¹⁾ 3 000	20 ¹⁾ 3 550	19,7 6 500	20,3 7 500	19,7 12 800	20,3 15 000	20,3 26 500	20 ¹⁾ 30 000	19,7 45 000	19,7 53 000	20,3 61 500
	25	24,1 170	25 ¹⁾ 290	25 ¹⁾ 355	26 ¹⁾ 650	26 ¹⁾ 730	24,1 1 180	25 ¹⁾ 2 650	-	24,6 5 300	-	-	24,6 10 600	-	25,4 21 800	-	-	-
	31,5	-	31,3 250	31,3 280	32,5 ¹⁾ 515	32,5 ¹⁾ 630	30,1 1 150	31,3 2 240	-	30,8 4 250	-	30,8 8 750	-	31,7 18 000	-	-	-	-
	R ICI	31,5	32,1 195	33 335	33 387	31,4 750	31,4 825	32,8 1 550	32,4 3 150	-	31,4 6 700	-	32,7 13 600	-	-	-	-	-
		40	38,6 200	40,1 387	40,1 475	41,8 825	41,8 950	39,4 1 700	39,4 3 450	40,2 4 000	41,4 7 500	41,6 9 000	41,4 15 500	-	-	-	-	-
50		49 200	50,9 345	50,9 412	53 750	53 850	49,9 1 550	50 ¹⁾ 3 450	49,3 4 370	52,5 7 100	50,8 9 250	52,5 14 000	-	-	-	-	-	
63		60,1 175	63,6 335	63,6 412	66,2 710	66,2 825	61,3 1 500	62,5 ¹⁾ 3 000	62,5 ¹⁾ 4 370	64,4 6 500	62,5 8 750	64,4 13 200	-	-	-	-	-	
80		75,2 175	79,5 335	79,5 412	82,7 710	82,7 825	76,7 1 500	78,1 2 650	78,1 3 070	78,1 5 300	80,5 6 150	78,1 13 200	-	-	-	-	-	
100		-	99,4 280	99,4 345	103 615	103 670	100 1 600	102 3 450	100 4 370	106 7 500	102 9 250	106 15 000	-	-	-	-	-	
125		-	-	-	-	-	123 1 500	127 3 000	127 4 370	126 6 500	130 9 250	126 13 200	-	-	-	-	-	
160		-	-	-	-	-	154 1 500	159 3 000	159 3 650	157 6 500	162 7 300	157 13 200	-	-	-	-	-	
200	-	-	-	-	-	192 1 150	199 2 720	-	196 5 300	-	196 10 600	-	-	-	-	-		
RC2I	20	-	-	-	-	-	-	20,4 4 620	20,6 7 750	21,4 10 600	20,5 15 500	19,9 19 500	21,5 31 500	20,8 40 000	20,6 54 500	20,6 69 000	21,4 85 000	
	22,4	-	-	-	-	-	-	23,8 ¹⁾ 5 150	23,8 7 750	23,7 10 900	22,4 15 500	23 21 800	23,6 31 500	23,8 ¹⁾ 43 700	23 ¹⁾ 54 500	23 ¹⁾ 69 000	23,7 87 500	
	25	-	-	-	-	-	-	24,5 5 000	25,1 7 750	27 10 300	27 15 500	26,3 21 800	27,2 31 500	26,4 43 700	25,1 54 500	25,1 69 000	26 ¹⁾ 87 500	
	28	-	-	-	-	-	-	28,6 5 150	28,9 7 750	28,8 ¹⁾ 10 900	29,5 15 500	30,3 21 800	29,9 31 500	30,1 43 700	28 ¹⁾ 54 500	28 ¹⁾ 69 000	28,8 ¹⁾ 87 500	
	31,5	-	-	-	-	-	-	32 5 000	33,1 7 500	33,2 10 600	34,2 15 500	33,7 21 200	33,1 30 700	33,7 42 500	31,3 54 500	31,3 69 000	32,5 ¹⁾ 87 500	
	35,5	-	-	-	-	-	-	-	37,5 5 150	37,5 7 750	37,3 10 900	35,3 15 500	36,2 21 800	37,5 31 500	37,5 42 500	36,3 54 500	36,3 69 000	37,3 77 500
	40	-	-	-	-	-	-	-	38,7 5 150	39,5 7 750	41 ¹⁾ 10 900	42,6 15 500	41,4 21 800	42,8 31 500	41,6 43 700	39,5 54 500	39,5 69 000	41 ¹⁾ 85 000
	45	-	-	-	-	-	-	-	45,1 5 150	45,6 7 750	45,4 10 900	46,6 15 500	47,8 21 800	47,1 31 500	47,5 43 700	44,2 54 500	44,2 69 000	45,4 87 500
	50	-	-	-	-	-	-	-	50,4 5 000	52,1 7 500	52,4 10 600	53,9 15 500	53,1 21 200	52,1 30 700	53,1 42 500	51,3 53 000	51,3 65 000	50,5 85 000
	56	-	-	-	-	-	-	-	55,4 5 150	57 7 750	56,8 10 000	55,5 15 500	56,9 21 800	56,1 31 500	56,6 43 700	56 54 500	56 69 000	57,6 87 500
	63	-	-	-	-	-	-	-	62 5 000	65,2 7 500	65,5 10 600	64,2 15 500	63,2 21 200	62,1 30 700	63,3 42 500	65,1 53 000	65,1 65 000	64 85 000
	71	-	-	-	-	-	-	-	70,2 5 150	72,3 7 750	72 ¹⁾ 10 300	70,3 15 500	72,2 21 800	71,2 31 500	71,7 43 700	71,1 54 500	71,1 69 000	73,1 87 500
	80	-	-	-	-	-	-	-	78,6 5 000	82,7 7 500	83,1 10 600	81,4 15 500	80,2 21 200	78,8 30 700	80,3 42 500	82,6 53 000	82,6 65 000	81,2 85 000
	90	-	-	-	-	-	-	-	87,8 4 620	90,4 7 750	90 ¹⁾ 9 500	87,9 15 500	90,3 20 600	89 31 500	89,7 42 500	88,8 54 500	88,8 69 000	91,4 85 000
	100	-	-	-	-	-	-	-	98,2 4 620	103 7 500	104 10 600	102 15 500	100 20 600	98,5 30 700	100 42 500	103 53 000	103 65 000	102 85 000
	125	-	-	-	-	-	-	-	123 4 620	129 7 500	130 10 300	127 15 500	125 19 000	123 30 700	125 38 700	129 53 000	129 65 000	127 80 000
160	-	-	-	-	-	-	-	151 4 370	154 6 500	158 9 250	151 13 200	156 18 500	156 26 500	154 36 500	156 46 200	156 54 500	161 73 000	

1) Finite transmission ratio.

This page is intentionally left blank.

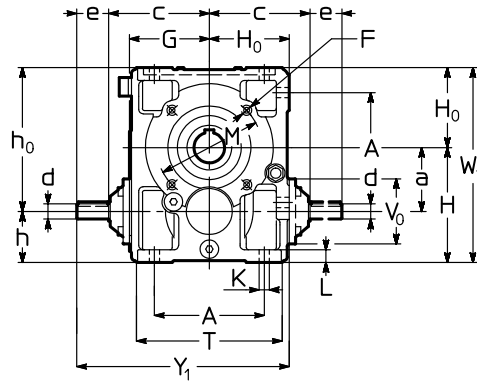
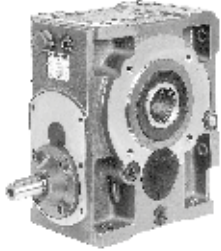
10 – Dimensions, designs, mounting positions of bevel helical gear reducers

10.1 - Gear reducers R CI	198
Dimensions	198
Designs (direction of rotation)	199
Mounting positions	200
Lubrication details	201
10.2 - Gear reducers R ICI	202
Dimensions	202
Designs (direction of rotation)	202
Mounting positions	203
Lubrication details	204
10.3 - Gear reducers R C2I	205
Dimensions	205
Designs (direction of rotation)	205
Mounting positions	206
Lubrication details	207

10.1 - Gear reducers R CI

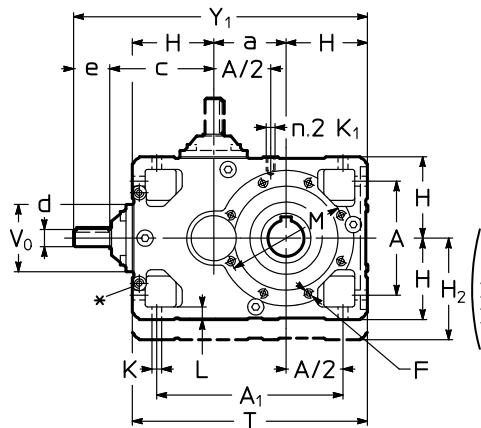
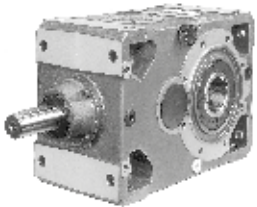
Dimensions

R CI 50 ... 100



Size	a	A	B	c		D Ø H7	d Ø	e	Y ₁	d		e	Y ₁	d	e	Y ₁	F	H	H ₀	H ₁	h	h ₀	K Ø	L	M Ø	N Ø h6	P Ø	Q	T	U	V ₀ Ø	W ₁	Z	kg
				≤ 8	≥ 10					≤ 8	≥ 10																							
50	50	86	75	100	94	24	16	30	197	16	30	191	14	30	191	M6	100	67	49	50	117	9,5	12	85	70	105	2,5	120	95	78	167	53	9	
63	63	102	90	119	108	30	19	40	239	16	30	218	14	30	218	M8	125	80	58,5	62	143	11,5	14	100	80	120	3	143	114	78	205	63	14	
64	63	102	90	119	108	32	19	40	239	16	30	218	14	30	218	M8	125	80	58,5	62	143	11,5	14	100	80	120	3	143	114	78	205	63	14	
80	80	132	106	142	131	38	24	50	292	19	40	271	16	30	261	M10	150	100	69,5	70	180	14	17	130	110	160	3,5	180	135	86	250	75	25	
81	80	132	106	142	131	40	24	50	292	19	40	271	16	30	261	M10	150	100	69,5	70	180	14	17	130	110	160	3,5	180	135	86	250	75	25	
100	100	172	131	168	157	48	28	60	353	24	50	332	19	40	322	M12	180	125	84,5	80	225	16	20	165	130	200	3,5	228	165	104	305	90	45	

R CI 125 ... 360

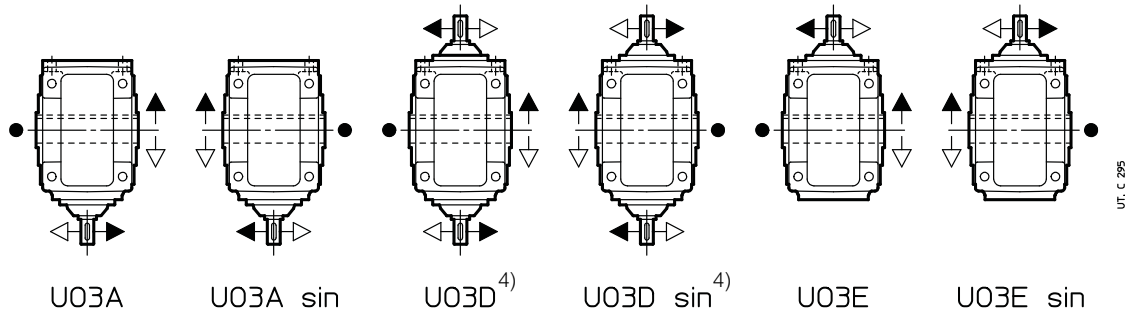


Size	a	A	A ₁	B	c		D Ø H7	d Ø	e	Y ₁	d		e	Y ₁	d	e	Y ₁	F	H	H ₁	H ₂	K Ø	K ₁	L	M Ø	N Ø h6	P Ø	Q	T	U	V ₀ Ø	Z	kg
					≤ 8	≥ 9					≤ 8	≥ 9																					
125	125	212	337	162	202	188	60	38	80	557	28	60	523	24	50	513	3)	150	103,5	-	18	M12	23	215	180	250	4	425	201	122	110	89	
140	140	212	352	162	202	188	70	38	80	572	28	60	538	24	50	528	3)	150	103,5	180	18	M12	23	265	230	300	4	440	201	122	125	102	
160	160	252	412	201	246	226	80	48	110	696	38	80	646	32	80	646	M16	180	128,5	-	22	M16	28	265	230	300	4	520	249	155	136	158	
180	180	252	432	201	246	226	90	48	110	716	38	80	666	32	80	666	M16	180	128,5	225	22	M16	28	300	250	350	5	540	249	155	150	181	
200	200	320	520	250	305	282	100	55	110	840	48	110	817	38	80	787	3)	225	158	-	27	M20	34	350	300	400	5	650	307	190	167	282	
225	225	320	545	250	305	282	110	55	110	865	48	110	842	38	80	812	M20	225	158	280	27	M20	34	400	350	450	5	675	307	190	180	324	
250	250	396	646	310	380	357	125	70	140	1050	55	110	997	48	110	997	3)	280	195	-	33	M24	42	500	450	550	5	810	380	238	206	495	
280	280	396	676	310	380	357	140	70	140	1080	55	110	1027	48	110	1027	M24	280	195	355	33	M24	42	500	450	550	5	840	380	238	222	568	
320, 321	320	510	830	386	480	480	160	90	170	1325	70	140	1295	70	140	1295	3)	355	241	-	39	M30	52	600	550	660	6	1030	470	290	254	882	
360	360	510	870	386	480	480	180	90	170	1365	70	140	1335	70	140	1335	M30	355	241	450	39	M30	52	600	550	660	6	1070	470	290	273	1013	

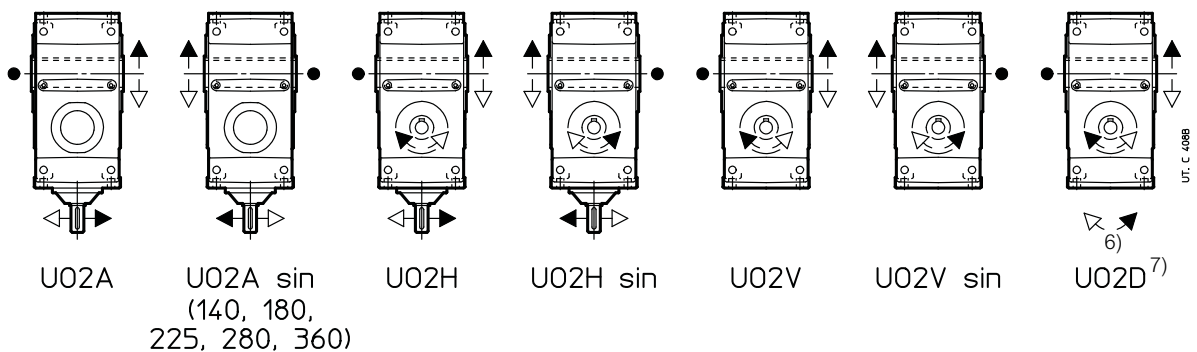
See notes on following page.

Designs (direction of rotation)

R CI 50 ... 100



R CI 125 ... 360



● Position of reference groove (see ch. 6) for radial load verification.

* Machined surface and N. 2 threaded holes (dimensions in ch. 6 «Gear reducer input face») on opposite side (not in view) too.

1) Working length of thread $2 \cdot F$.

2) Working length of thread $2 \cdot K1$.

3) For dimension, number and angular position see ch. 6.

4) Not possible for size 50 with $i_N < 8$.

6) Direction of rotation of the second high speed shaft overhang not in view.

7) Design not possible for sizes 140, 180, 225, 280 and 360.

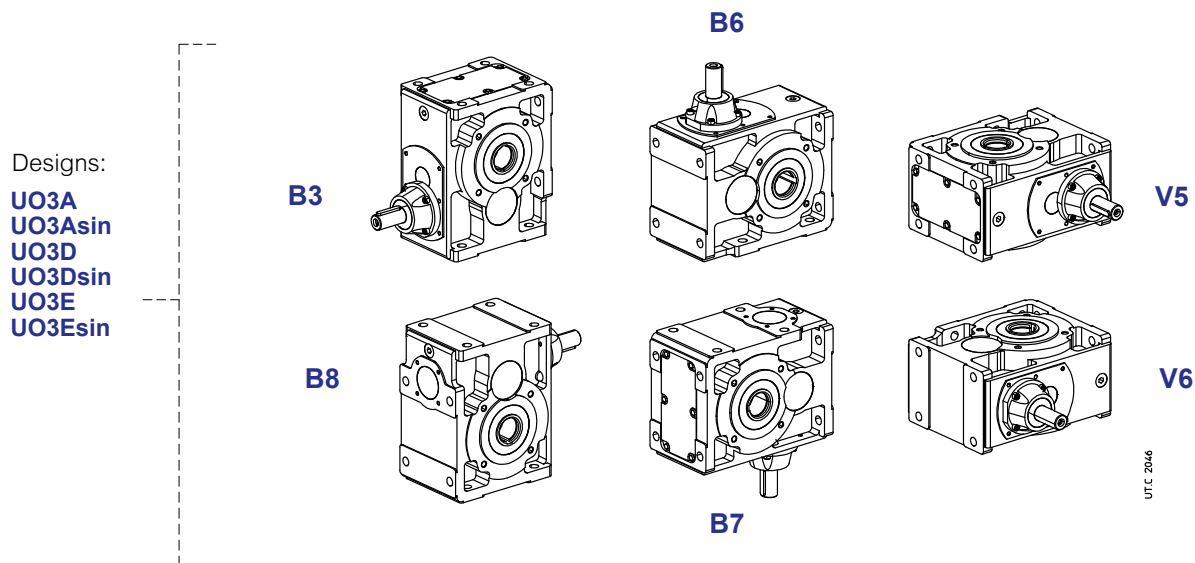


42

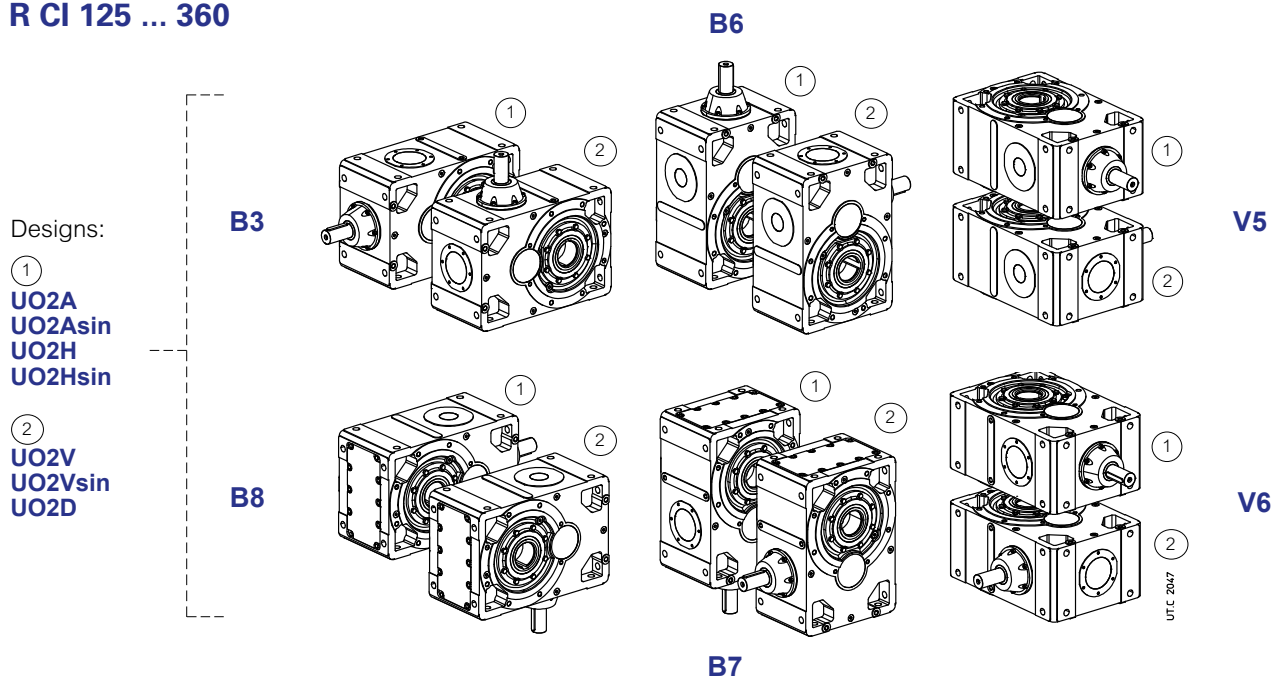
Mounting positions

Unless otherwise stated, gear reducers are supplied in mounting position **B3** (see ch. 2).

R CI 50 ... 100



R CI 125 ... 360



Oil quantity

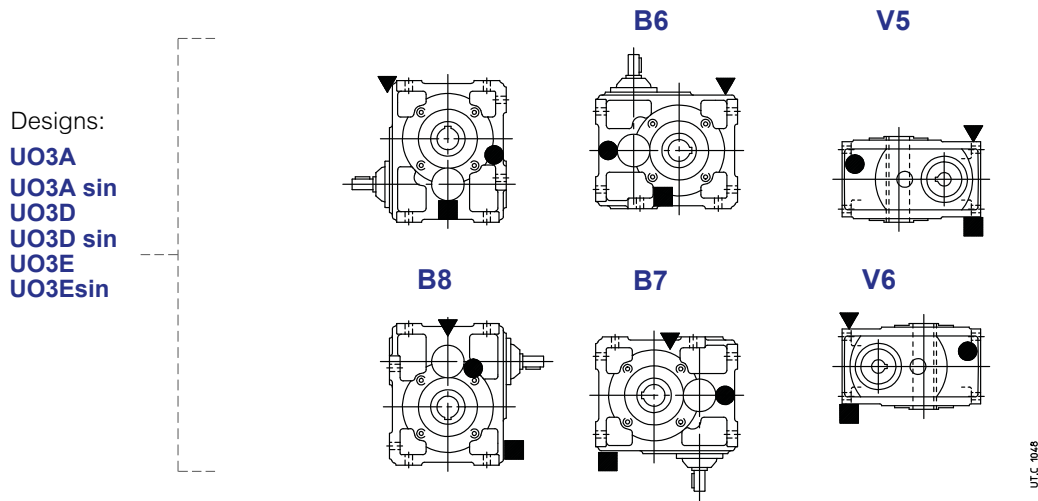
R CI 50 ... 360

Stated oil quantities [l] are approximate for provisioning. The exact oil quantity the gear reducer is to be filled with is defined by the level plug.

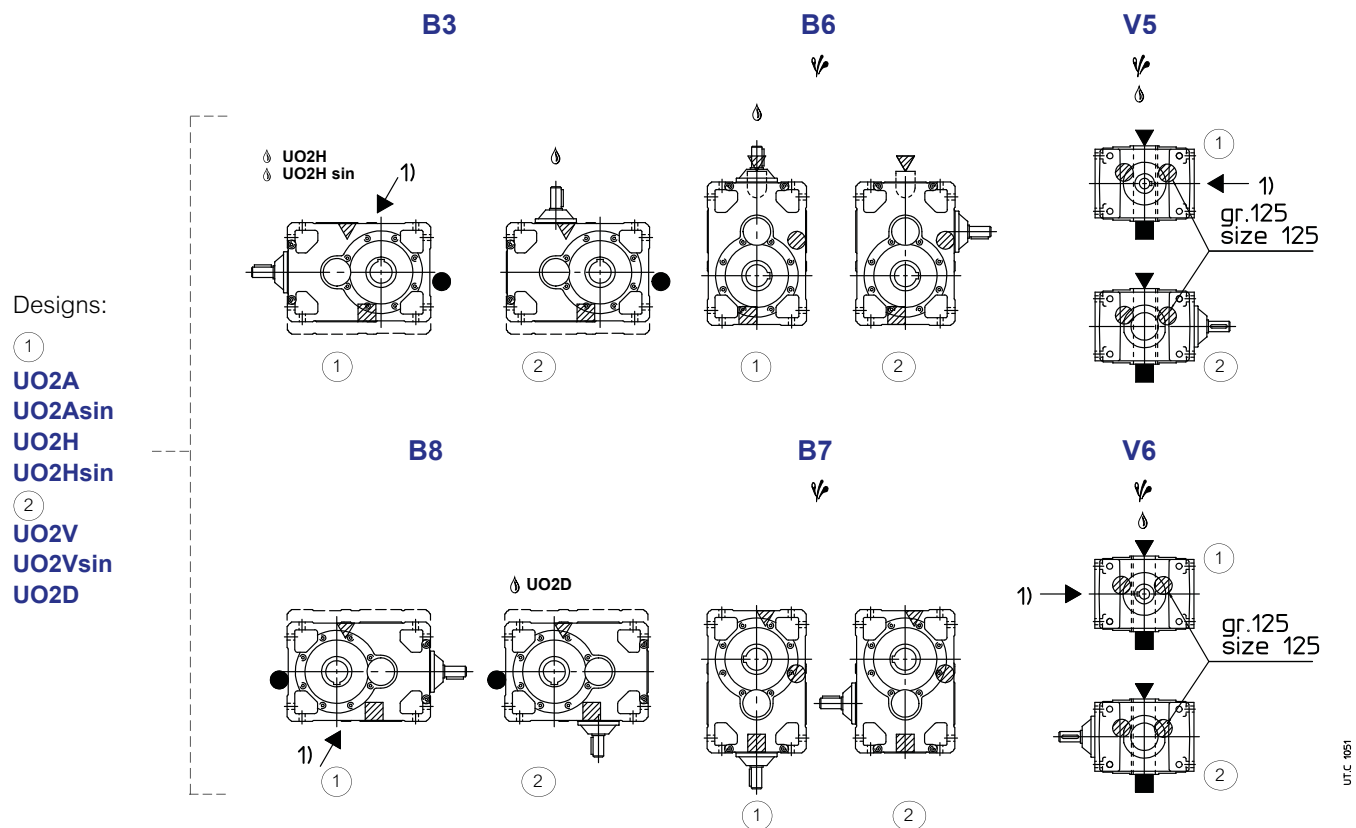
Mounting position	50	63, 64	80, 81	100	125	140	160	180	200	225	250	280	320, 321	360
B3	0,4	0,8	1,3	2,6	5,3	8,2	10,5	16,1	20,5	31,5	40	61	78	120
B8	0,6	1	2	3,8	5,3	5,5	10,5	10,7	20,5	21	40	41	78	80
B6	0,4	0,8	1,3	2,9	7	8,7	13,7	17	26,7	33,3	52	65	102	127
B7	0,4	0,8	1,3	2,9	7,6	9,7	15	19	29	37	57	72	111	141
V5	0,45	0,95	1,8	3,5	8,9	10,3	17,5	20,1	34	39,3	67	77	130	150
V6	0,45	0,95	1,8	3,5	8,9	10,3	17,5	20,1	34	39,3	67	77	130	150

Lubrication details

R CI 100



R CI 125 ... 360



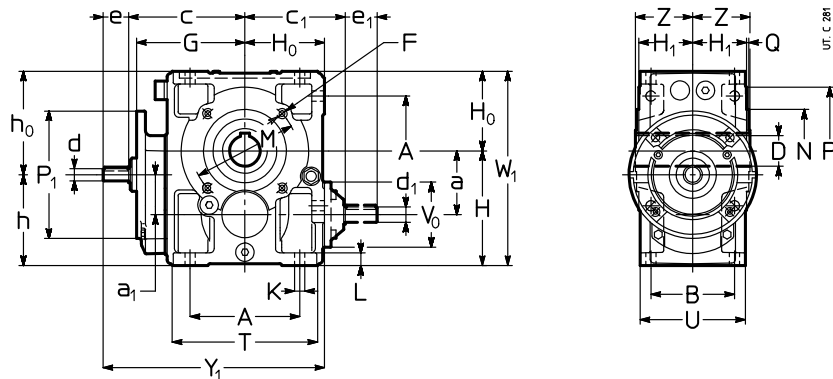
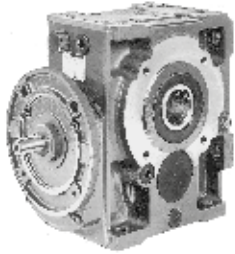
- 1) Position of intermediate hole for mounting position identification.
 ▽ Possible high oil splash: for the corrective factor f_{t3} of nominal thermal power P_{tN} see ch. 4.
 ⚙ Possible bearing lubrication pump or high speed shaft lubrication device (see ch. 17 (19)).

- ▽ oil filler plug
 ● oil level plug
 ■ oil drain plug
 ▽ oil filler plug on opposite side (not in view)
 ● oil level plug on opposite side (not in view)
 ■ oil drain plug on opposite side (not in view)

10.2 - Gear reducers R ICI

Dimensions

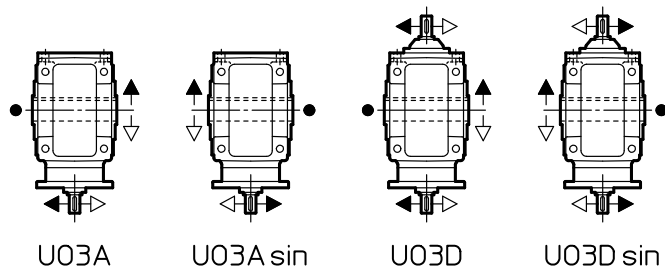
R ICI 50 ... 200



Size	a	a ₁	A	B	c	c ₁	D ∅ H7	d ∅	e	Y ₁	d ₁ ∅	e ₁	d ₁ ∅	e ₁	F	G	H	H ₀	H ₁	h	h ₀	K ∅	L	M ∅	N ∅ h6	P ∅	P ₁	Q	T	U	V ₀ ∅	W ₁	Z	kg			
								<i>i_N ≤ 80</i>		<i>i_N ≥ 100</i>		<i>i_N ≤ 40</i>	<i>i_N ≥ 50</i>	1)			h11	h11	h12	h11	h11																
50	50	40	86	75	107	94	24	11	23	197	-	-	-	16	30	14	30	M6	98	100	67	49	90	77	9,5	12	85	70	105	140 ³⁾	2,5	120	95	78	167	53	11
63	63	50	102	90	127	108	30	14	30	237	14	30	237	16	30	14	30	M8	118	125	80	58,5	112	93	11,5	14	100	80	120	160 ³⁾	3	143	114	78	205	63	17
64	63	50	102	90	127	108	32	14	30	237	14	30	237	16	30	14	30	M8	118	125	80	58,5	112	93	11,5	14	100	80	120	160 ³⁾	3	143	114	78	205	63	17
80	80	50	132	106	147	131	38	14	30	277	14	30	277	19	40	16	30	M10	138	150	100	69,5	120	130	14	17	130	110	160	160 ³⁾	3,5	180	135	86	250	75	28
81	80	50	132	106	147	131	40	14	30	277	14	30	277	19	40	16	30	M10	138	150	100	69,5	120	130	14	17	130	110	160	160 ³⁾	3,5	180	135	86	250	75	28
100	100	62,5	172	131	181	157	48	19	40	346	16	30	336	24	50	19	40	M12	170	180	125	84,5	143	162	16	20	165	130	200	200	3,5	228	165	104	305	90	50
125	125	80	212	162	216	188	60	24	50	416	19	40	406	28	60	24	50	2)	205	225	150	103,5	180	195	18	23	215	180	250	200	4	274	201	122	375	110	88
140	140	80	212	162	216	188	70	24	50	416	19	40	406	28	60	24	50	2)	205	240	150	103,5	180	210	18	23	265	230	300	200	4	274	201	122	390	125	102
160	160	100	252	201	258	226	80	28	60	498	24	50	488	38	80	32	80	2)	247	280	180	128,5	220	240	22	28	265	230	300	250	4	328	249	155	460	136	164
180	180	100	252	201	258	226	90	28	60	498	24	50	488	38	80	32	80	2)	247	300	180	128,5	220	260	22	28	300	250	350	250	5	328	249	155	480	150	188
200	200	125	320	250	318	282	100	32	80	623	32	80	623	48	110	38	80	2)	305	355	225	158	280	300	27	34	350	300	400	300	5	410	307	190	580	167	296

Designs (direction of rotation)

R ICI 50 ... 200



● Position of reference groove (see ch. 6) for radial load verification.

1) Working length of thread 2 · F.

2) For dimension, number and angular position see ch. 6.

3) Square flange: for dimensions see ch. 6.

4) For sizes 140 and 180 the dimensions are valid for $i_N \leq 50$ and $i_N = 100$.

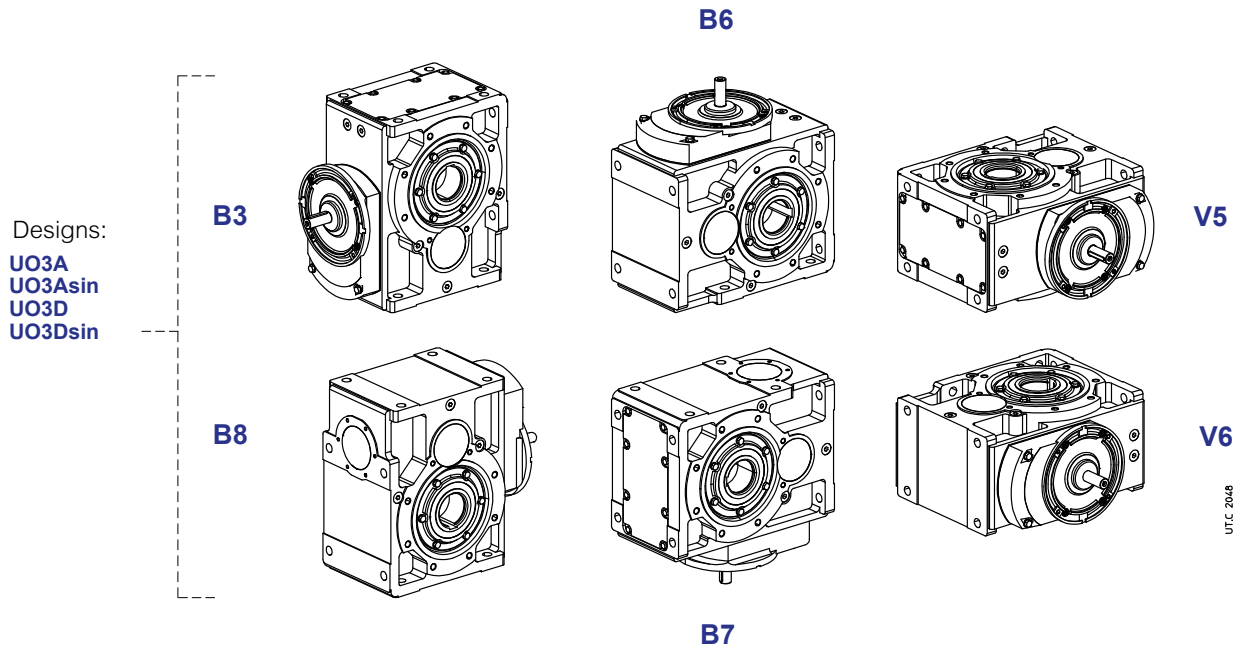
5) For sizes 140 and 180 the dimensions are valid for the following ratios $i_N = 63$, $i_N = 80$, $i_N = 125$ and $i_N = 160$.



Mounting positions

Unless otherwise stated, gear reducers are supplied in mounting position **B3** (see ch. 2).

R ICI 50 ... 200



Oil quantity

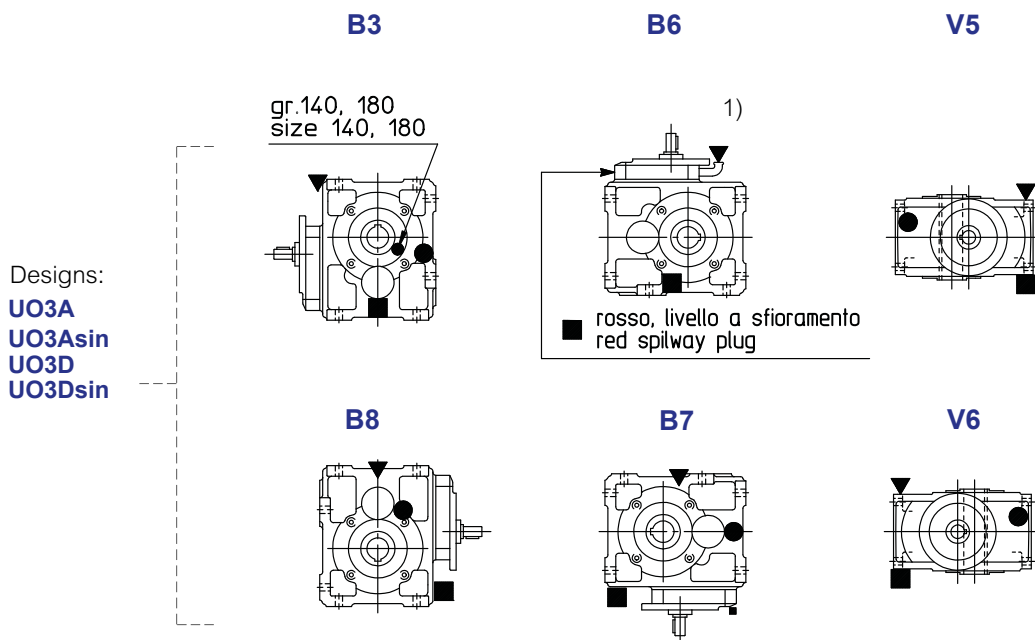
R ICI 50 ... 200

Stated oil quantities [l] are approximate for provisioning. The exact oil quantity the gear reducer is to be filled with is defined by the level plug.

Mounting position	50	63, 64	80, 81	100	125	140	160	180	200
B3	0,45	1	1,6	3	6	6,8	10,6	11,9	20
B8	0,65	1,2	2,2	4,2	9	10,6	16	18,9	30
B6	0,8	1,6	2,7	5,8	11,6	13,7	21	24,8	40
B7	0,45	1	1,6	3	6	6,8	10,6	11,9	20
V5	0,5	1,15	2	3,8	7	8,3	13	15,3	24
V6	0,5	1,15	2	3,8	7	8,3	13	15,3	24

Lubrication details

R ICI 100 ... 200



1) See also ch. 6 page 43.

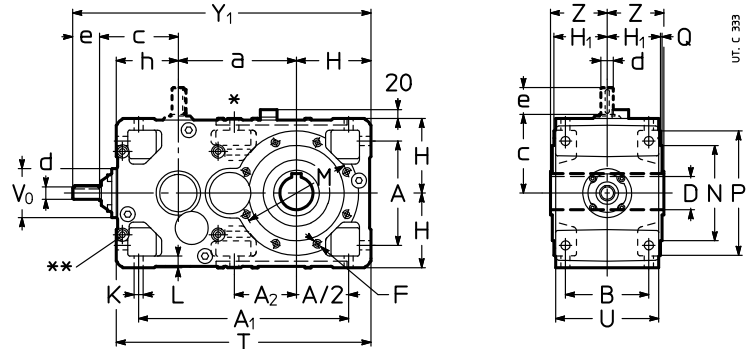
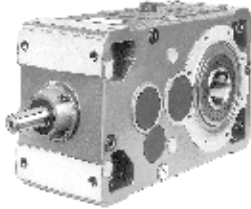
- ▼ oil filler plug
- oil level plug
- oil drain plug

Blank page.

10.3 - Gear reducers R C2I

Dimensions

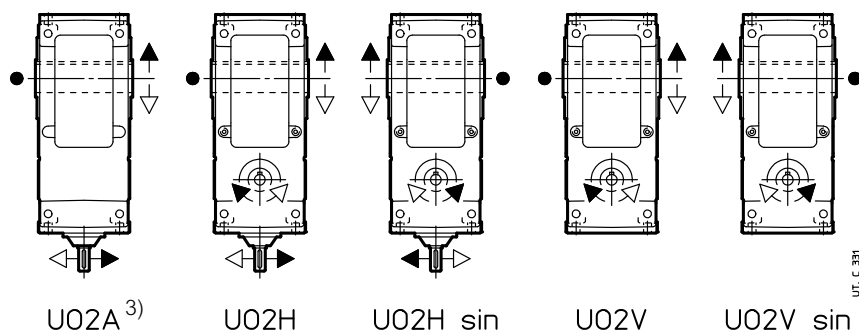
R C2I 140 ... 360



Size	a	A	A ₁	A ₂	B	c		D Ø H7	d	e	Y ₁		d Ø	e	Y ₁		F	H	H ₁	h	K Ø	L	M Ø	N h6	P Ø	Q Ø	T	U	V ₀ Ø	Z	kg	
						≤ 31,5	≥ 35,5				i _N ≤ 31,5	i _N = 35,5 ... 63			i _N ≥ 71	h11																h12
140	240	212	427	127	162	168	157	70	28	60	618	24	50	597	19	40	587	2)	150	103,5	125	18	23	265	230	300	4	515	201	104	125	111
160	285	252	507	150*	201	202	188	80	38	80	747	28	60	713	24	50	703	M16	180	128,5	150	22	28	265	230	300	4	615	249	122	136	182
180	305	252	527	170	201	202	188	90	38	80	767	28	60	733	24	50	723	M16	180	128,5	150	22	28	300	250	350	5	635	249	122	150	200
200	360	320	635	198*	250	246	226	100	48	110	941	38	80	891	32	80	891	2)	225	158	180	27	34	350	300	400	5	765	307	155	167	321
225	385	320	660	223	250	246	226	110	48	110	966	38	80	916	32	80	916	M20	225	158	180	27	34	400	350	450	5	790	307	155	180	352
250	450	396	791	247*	310	305	282	125	55	110	1145	48	110	1122	38	80	1092	2)	280	195	225	33	42	500	450	550	5	955	380	190	206	563
280	480	396	821	277	310	305	282	140	55	110	1175	48	110	1152	38	80	1122	M24	280	195	225	33	42	500	450	550	5	985	380	190	222	617
320, 321	570	510	1005	318*	386	380	357	160	70	140	1445	55	110	1392	48	110	1392	2)	355	241	280	39	52	600	550	660	6	1205	470	238	254	991
360	610	510	1045	358	386	380	357	180	70	140	1485	55	110	1432	48	110	1432	M30	355	241	280	39	52	600	550	660	6	1245	470	238	273	1086

Designs (direction of rotation)

R C2I 140 ... 360



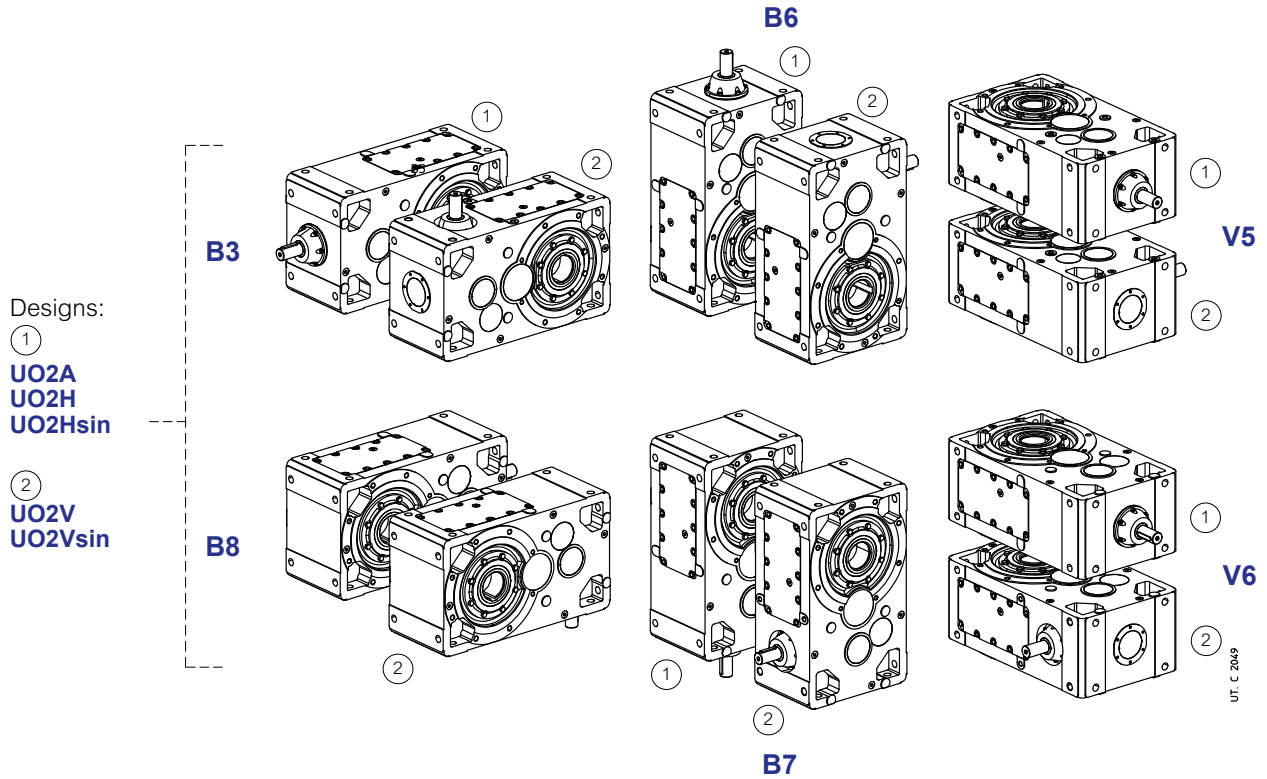
- Position of reference groove (see ch. 6) for radial load verification.
 - * Only No. 2 holes M 16×32 (size 160), M 20×38 (size 200), M 24×46 (size 250) and M 30×58 (sizes 320 and 321) and not for design U02A.
 - * *Machined surface and N.4 threaded holes (dimensions in ch. 6 «Gear reducer input face») on opposite side (not in view) too.
- Working length of thread 2 · F.
 - For dimension, number and angular position see ch. 6.
 - The housing of this design is not pre-arranged for the other designs.



Mounting positions

Unless otherwise stated, gear reducers are supplied in mounting position **B3** (see ch. 2).

R C2I 140 ... 360



Oil quantity

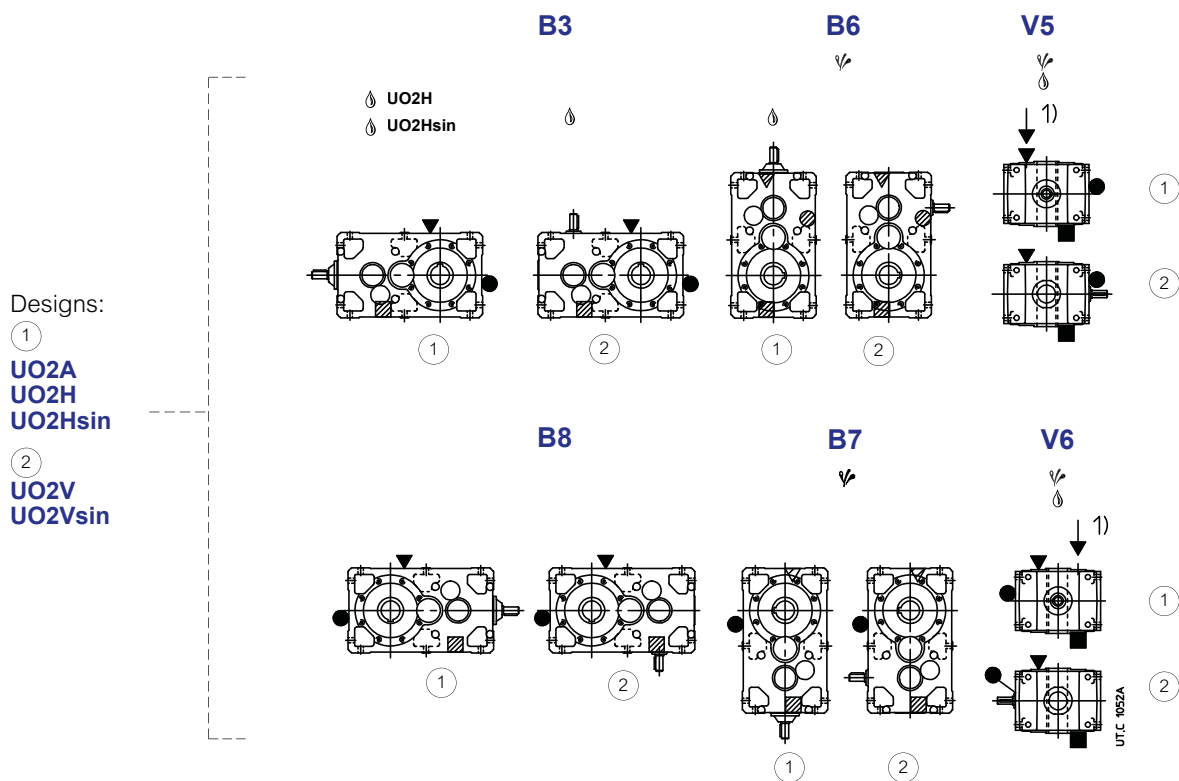
R C2I 140 ... 360

Stated oil quantities [l] are approximate for provisioning. The exact oil quantity the gear reducer is to be filled with is defined by the level plug.

Mounting position	140	160	180	200	225	250	280	320, 321	360
B3	6,6	12	13	25	26	47	51	97	100
B8	6,6	12	13	25	26	47	51	97	100
B6	10,8	20	21	39	41	75	80	152	156
B7	9,7	18	19	35	37	67	72	137	140
V5	9,7	18	19	35	37	67	72	137	140
V6	9,7	18	19	35	37	67	72	137	140

Lubrication details

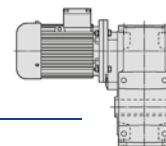
R C2I 140 ... 360





- 1) Position of intermediate hole for mounting position identification.
- ↘ Possible high oil splash: for the corrective factor f_{t3} of nominal thermal power P_{tN} see ch. 4.
- ⚡ Possible bearing lubrication pump or high speed shaft lubrication device (see ch. 17 (19)).

- ▼ oil filler plug
- oil level plug
- oil drain plug
- ▽ oil filler plug on opposite side (not in view)
- ⊙ oil level plug on opposite side (not in view)
- ▨ oil drain plug on opposite side (not in view)

11 – Helical gearmotor selection tables



P_1	n_2	M_2	f_s		i
kW	min ⁻¹	N m		2)	
1)					
0,09	3,42	231	1,5	MR 4I 63 - 11 x 140 63 A	6 263
	3,29	240	1,7	MR 4I 64 - 11 x 140 63 A	6 274
	4,28	185	2,12	MR 4I 63 - 11 x 140 63 A	6 210
	4,11	193	2,5	MR 4I 64 - 11 x 140 63 A	6 219
	5,21	152	2,65	MR 4I 63 - 11 x 140 63 A	6 173
	6,31	125	3,15	MR 4I 63 - 11 x 140 63 A	6 143
	7,68	103	3,75	MR 4I 63 - 11 x 140 63 A	6 117
	10,7	76	3,55	MR 3I 63 - 11 x 140 63 A	6 84,3
	14	58	1,18	MR 3I 40 - 11 x 140 63 A	6 64,3
	14,2	57	2,36	MR 3I 50 - 11 x 140 63 A	6 63,2
	16,9	47,8	1,8	MR 3I 40 - 11 x 140 63 A	6 53,2
	17,3	46,7	3,35	MR 3I 50 - 11 x 140 63 A	6 52
	20,5	39,4	2,5	MR 3I 40 - 11 x 140 63 A	6 43,9
	23,3	34,7	2	MR 3I 40 - 11 x 140 63 A	6 38,7
	28,1	28,7	3	MR 3I 40 - 11 x 140 63 A	6 32
	34,1	23,7	4	MR 3I 40 - 11 x 140 63 A	6 26,4
	33,7	24,5	2,8	MR 2I 40 - 11 x 140 63 A	6 26,7
	44,1	18,3	5,3	MR 3I 40 - 11 x 140 63 A	6 20,4
	40,7	20,3	4	MR 2I 40 - 11 x 140 63 A	6 22,1
	49,4	16,7	5,6	MR 2I 40 - 11 x 140 63 A	6 18,2
56,1	14,7	4,5	MR 2I 40 - 11 x 140 63 A	6 16,1	
67,7	12,2	6,7	MR 2I 40 - 11 x 140 63 A	6 13,3	
82,2	10	9,5	MR 2I 40 - 11 x 140 63 A	6 11	
0,12	3,42	308	1	MR 4I 63 - 11 x 140 63 B	6 263
	3,29	321	1,32	MR 4I 64 - 11 x 140 63 B	6 274
	4,28	247	1,6	MR 4I 63 - 11 x 140 63 B	6 210
	4,11	257	1,9	MR 4I 64 - 11 x 140 63 B	6 219
	5,32	198	1,7	MR 4I 63 - 11 x 140 63 A	4 263
	5,12	206	2	MR 4I 64 - 11 x 140 63 A	4 274
	5,21	203	1,9	MR 4I 63 - 11 x 140 63 B	6 173
	4,99	211	2,36	MR 4I 64 - 11 x 140 63 B	6 180
	6,65	158	2,5	MR 4I 63 - 11 x 140 63 A	4 210
	8,1	130	3	MR 4I 63 - 11 x 140 63 A	4 173
	9,81	107	3,75	MR 4I 63 - 11 x 140 63 A	4 143
	10,7	101	2,65	MR 3I 63 - 11 x 140 63 B	6 84,3
	14	77	0,9	MR 3I 40 - 11 x 140 63 B	6 64,3
	14,2	76	1,8	MR 3I 50 - 11 x 140 63 B	6 63,2
	11,9	88	4,5	MR 4I 63 - 11 x 140 63 A	4 117
	13,3	81	4	MR 3I 63 - 11 x 140 63 B	6 67,5
	16,9	64	1,32	MR 3I 40 - 11 x 140 63 B	6 53,2
	17,3	62	2,5	MR 3I 50 - 11 x 140 63 B	6 52
	16,6	65	4,25	MR 3I 63 - 11 x 140 63 A	4 84,3
	21,8	49,5	1,4	MR 3I 40 - 11 x 140 63 A	4 64,3
	20,5	53	1,9	MR 3I 40 - 11 x 140 63 B	6 43,9
	22,1	48,7	2,8	MR 3I 50 - 11 x 140 63 A	4 63,2
	26,3	41	2	MR 3I 40 - 11 x 140 63 A	4 53,2
	26,9	40	3,75	MR 3I 50 - 11 x 140 63 A	4 52
	31,9	33,8	2,8	MR 3I 40 - 11 x 140 63 A	4 43,9
	36,2	29,8	2,24	MR 3I 40 - 11 x 140 63 A	4 38,7
	33,7	32,6	2,12	MR 2I 40 - 11 x 140 63 B	6 26,7
	43,7	24,6	3,35	MR 3I 40 - 11 x 140 63 A	4 32
	40,7	27	3	MR 2I 40 - 11 x 140 63 B	6 22,1
	53,1	20,3	4,75	MR 3I 40 - 11 x 140 63 A	4 26,4
52,4	21	3,15	MR 2I 40 - 11 x 140 63 A	4 26,7	
68,5	15,7	6	MR 3I 40 - 11 x 140 63 A	4 20,4	
63,3	17,4	4,75	MR 2I 40 - 11 x 140 63 A	4 22,1	
76,9	14,3	6,3	MR 2I 40 - 11 x 140 63 A	4 18,2	
87,2	12,6	5,3	MR 2I 40 - 11 x 140 63 A	4 16,1	
105	10,4	7,5	MR 2I 40 - 11 x 140 63 A	4 13,3	
128	8,6	10,6	MR 2I 40 - 11 x 140 63 A	4 11	
165	6,7	12,5	MR 2I 40 - 11 x 140 63 A	4 8,48	

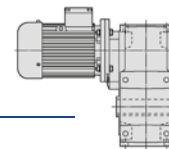
P_1	n_2	M_2	f_s		i
kW	min ⁻¹	N m		2)	
1)					
0,18	2,86	552	1,32	MR 4I 80 - 14 x 160 71 A	6 314
	2,86	552	1,5	MR 4I 81 - 14 x 160 71 A	6 314
	3,42	463	1,6	MR 4I 80 - 14 x 160 71 A	6 263
	3,42	463	1,8	MR 4I 81 - 14 x 160 71 A	6 263
	4,72	335	0,85	MR 4I 63 - 14 x 160 71 A	6 191
	4,54	348	1,18	MR 4I 64 - 14 x 160 71 A	6 198
	4,27	371	2,24	MR 4I 80 - 14 x 160 71 A	6 211
	4,27	371	2,65	MR 4I 81 - 14 x 160 71 A	6 211
	5,32	297	1	MR 4I 63 - 11 x 140 63 B	4 263
	5,12	309	1,32	MR 4I 64 - 11 x 140 63 B	4 274
	5,9	268	1,5	MR 4I 63 - 14 x 160 71 A	6 152
	5,67	279	1,7	MR 4I 64 - 14 x 160 71 A	6 159
	5,67	279	2,8	MR 4I 80 - 14 x 160 71 A	6 159
	5,67	279	3,55	MR 4I 81 - 14 x 160 71 A	6 159
	6,65	238	1,7	MR 4I 63 - 11 x 140 63 B	4 210
	6,39	248	2	MR 4I 64 - 11 x 140 63 B	4 219
	7,19	220	1,8	MR 4I 63 - 14 x 160 71 A	6 125
	6,49	244	3,35	MR 4I 80 - 14 x 160 71 A	6 139
	8,1	195	2	MR 4I 63 - 11 x 140 63 B	4 173
	7,76	204	2,5	MR 4I 64 - 11 x 140 63 B	4 180
	9,81	161	2,5	MR 4I 63 - 11 x 140 63 B	4 143
	11,9	132	3	MR 4I 63 - 11 x 140 63 B	4 117
	14,7	110	2,5	MR 3I 63 - 14 x 160 71 A	6 61,1
	19,5	83	1,6	MR 3I 50 - 14 x 160 71 A	6 46,2
	16,6	97	2,8	MR 3I 63 - 11 x 140 63 B	4 84,3
	21,8	74	0,95	MR 3I 40 - 11 x 140 63 B	4 64,3
	22,1	73	1,8	MR 3I 50 - 11 x 140 63 B	4 63,2
	26,3	61	1,4	MR 3I 40 - 11 x 140 63 B	4 53,2
	26,9	60	2,5	MR 3I 50 - 11 x 140 63 B	4 52
	31,9	51	1,9	MR 3I 40 - 11 x 140 63 B	4 43,9
36,2	44,6	1,5	MR 3I 40 - 11 x 140 63 B	4 38,7	
33,7	49	1,4	MR 2I 40 - 14 x 160 71 A	** 6 26,7	
33,1	48,9	3,75	MR 3I 50 - 11 x 140 63 B	4 42,4	
36,9	44,7	3	MR 2I 50 - 14 x 160 71 A	6 24,4	
43,7	37	2,24	MR 3I 40 - 11 x 140 63 B	4 32	
40,7	40,5	2	MR 2I 40 - 14 x 160 71 A	** 6 22,1	
39,7	40,7	5	MR 3I 50 - 11 x 140 63 B	4 35,3	
53,1	30,5	3,15	MR 3I 40 - 11 x 140 63 B	4 26,4	
52,4	31,5	2,12	MR 2I 40 - 11 x 140 63 B	4 26,7	
68,5	23,6	4	MR 3I 40 - 11 x 140 63 B	4 20,4	
63,3	26,1	3,15	MR 2I 40 - 11 x 140 63 B	4 22,1	
76,9	21,5	4,25	MR 2I 40 - 11 x 140 63 B	4 18,2	
87,2	18,9	3,55	MR 2I 40 - 11 x 140 63 B	4 16,1	
105	15,7	5	MR 2I 40 - 11 x 140 63 B	4 13,3	
128	12,9	7,1	MR 2I 40 - 11 x 140 63 B	4 11	
165	10	8,5	MR 2I 40 - 11 x 140 63 B	4 8,48	
0,25	2,86	767	1,06	MR 4I 81 - 14 x 160 71 B	6 314
	3,42	642	1,06	MR 4I 80 - 14 x 160 71 B	6 263
	3,42	642	1,32	MR 4I 81 - 14 x 160 71 B	6 263
	4,45	493	1,5	MR 4I 80 - 14 x 160 71 A	4 314
	4,45	493	1,7	MR 4I 81 - 14 x 160 71 A	4 314
	4,27	515	1,6	MR 4I 80 - 14 x 160 71 B	6 211
	4,27	515	1,9	MR 4I 81 - 14 x 160 71 B	6 211
	5,12	429	1	MR 4I 64 - 11 x 140 63 C	4 274
	5,9	372	0,95	MR 4I 63 - 14 x 160 71 B	6 152
	5,67	388	1,25	MR 4I 64 - 14 x 160 71 B	6 159
	5,32	413	1,8	MR 4I 80 - 14 x 160 71 A	4 263
	5,32	413	2	MR 4I 81 - 14 x 160 71 A	4 263
	5,67	387	2	MR 4I 80 - 14 x 160 71 B	6 159
	6,65	330	1,06	MR 4I 63 - 11 x 140 63 C	4 210
	6,39	344	1,4	MR 4I 64 - 11 x 140 63 C	4 219
	7,35	299	0,85	MR 4I 63 - 14 x 160 71 A	4 191
	7,06	311	1,32	MR 4I 64 - 14 x 160 71 A	4 198
	7,19	306	1,32	MR 4I 63 - 14 x 160 71 B	6 125

1) Powers valid for continuous duty S1; **increase possible** for duty cycles S2 ... S10 (see ch. 1 «General specifications»); in which case M_2 increases and f_s decreases.


2) For complete designation when ordering see ch. 2.


** Mounting position **B5A** (see ch. 1.2).

Helical gearmotor selection tables



11

P_1	n_2	M_2	f_s		i
kW	min ⁻¹	N m		2)	
1)					
0,25	6,89	319	1,6	MR 4I 64 - 14 x 160	71 B 6 131
	6,64	331	2,5	MR 4I 80 - 14 x 160	71 A 4 211
	8,1	271	1,5	MR 4I 63 - 11 x 140	63 C 4 173
	7,76	283	1,8	MR 4I 64 - 11 x 140	63 C 4 180
	9,18	239	1,6	MR 4I 63 - 14 x 160	71 A 4 152
	8,81	249	1,9	MR 4I 64 - 14 x 160	71 A 4 159
	8,83	249	3,15	MR 4I 80 - 14 x 160	71 A 4 159
	9,11	246	2,36	MR 3I 80 - 14 x 160	71 B 6 98,8
	9,11	246	2,8	MR 3I 81 - 14 x 160	71 B 6 98,8
	9,81	224	1,8	MR 4I 63 - 11 x 140	63 C 4 143
	9,42	233	2,12	MR 4I 64 - 11 x 140	63 C 4 149
	11,2	197	2	MR 4I 63 - 14 x 160	71 A 4 125
	10,7	205	2,5	MR 4I 64 - 14 x 160	71 A 4 131
	10,9	206	2,8	MR 3I 80 - 14 x 160	71 B 6 82,7
	10,9	206	3,15	MR 3I 81 - 14 x 160	71 B 6 82,7
	11,9	184	2,12	MR 4I 63 - 11 x 140	63 C 4 117
	11,4	192	2,65	MR 4I 64 - 11 x 140	63 C 4 122
	14,7	152	1,8	MR 3I 63 - 14 x 160	71 B 6 61,1
	19,5	115	1,18	MR 3I 50 - 14 x 160	71 B 6 46,2
	16,6	135	2	MR 3I 63 - 11 x 140	63 C 4 84,3
	18,4	122	2,65	MR 3I 63 - 14 x 160	71 B 6 48,9
	22,1	101	1,32	MR 3I 50 - 11 x 140	63 C 4 63,2
	23,7	95	1,6	MR 3I 50 - 14 x 160	71 B 6 38
	20,8	108	3	MR 3I 63 - 11 x 140	63 C 4 67,5
	22,9	98	2,8	MR 3I 63 - 14 x 160	71 A 4 61,1
	26,3	85	1	MR 3I 40 - 11 x 140	63 C 4 53,2
	26,9	83	1,8	MR 3I 50 - 11 x 140	63 C 4 52
	30,3	74	1,8	MR 3I 50 - 14 x 160	71 A 4 46,2
	29,1	77	2,36	MR 3I 50 - 14 x 160	71 B 6 30,9
	28,6	78	4	MR 3I 63 - 14 x 160	71 A 4 48,9
	31,9	70	1,4	MR 3I 40 - 11 x 140	63 C 4 43,9
	36,2	62	1,12	MR 3I 40 - 11 x 140	63 C 4 38,7
	33,7	68	1	MR 2I 40 - 14 x 140	71 B ** 6 26,7
	33,1	68	2,65	MR 3I 50 - 11 x 140	63 C 4 42,4
	36,8	61	2,5	MR 3I 50 - 14 x 160	71 A 4 38
	36,9	62	2,12	MR 2I 50 - 14 x 160	71 B 6 24,4
	43,7	51	1,6	MR 3I 40 - 11 x 140	63 C 4 32
	40,7	56	1,5	MR 2I 40 - 14 x 140	71 B ** 6 22,1
	39,7	57	3,55	MR 3I 50 - 11 x 140	63 C 4 35,3
	45,2	49,6	3,55	MR 3I 50 - 14 x 160	71 A 4 30,9
	44,8	51	3	MR 2I 50 - 14 x 160	71 B 6 20,1
	53,1	42,3	2,24	MR 3I 40 - 11 x 140	63 C 4 26,4
	52,4	43,7	1,5	MR 2I 40 - 11 x 140	63 C 4 26,7
	49,4	46,4	2,12	MR 2I 40 - 14 x 140	71 B ** 6 18,2
	60,2	37,3	4,75	MR 3I 50 - 14 x 160	71 A 4 23,3
	57,4	40	3,15	MR 2I 50 - 11 x 140	63 C 4 24,4
	57,4	40	3,15	MR 2I 50 - 14 x 160	71 A 4 24,4
	68,5	32,7	2,8	MR 3I 40 - 11 x 140	63 C 4 20,4
	63,3	36,2	2,24	MR 2I 40 - 11 x 140	63 C 4 22,1
	72,3	31,1	6,3	MR 3I 50 - 14 x 160	71 A 4 19,4
69,7	32,9	4,5	MR 2I 50 - 11 x 140	63 C 4 20,1	
69,7	32,9	4,5	MR 2I 50 - 14 x 160	71 A 4 20,1	
76,9	29,8	3,15	MR 2I 40 - 11 x 140	63 C 4 18,2	
87,2	26,3	2,5	MR 2I 40 - 11 x 140	63 C 4 16,1	
85,6	26,8	6,7	MR 2I 50 - 11 x 140	63 C 4 16,3	
85,6	26,8	6,7	MR 2I 50 - 14 x 160	71 A 4 16,3	
105	21,8	3,75	MR 2I 40 - 11 x 140	63 C 4 13,3	
128	17,9	5	MR 2I 40 - 11 x 140	63 C 4 11	
165	13,9	6	MR 2I 40 - 11 x 140	63 C 4 8,48	
208	11	5	MR 2I 40 - 11 x 140	63 C 4 6,75	
0,37	2,58	1259	1,06	MR 4I 100 - 19 x 200	80 A 6 349
	3,14	1036	1,5	MR 4I 100 - 19 x 200	80 A 6 287
	3,75	867	1,8	MR 4I 100 - 19 x 200	80 A 6 240

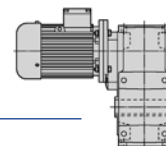
P_1	n_2	M_2	f_s		i
kW	min ⁻¹	N m		2)	
1)					
0,37	4,45	730	0,9	MR 4I 80 - 14 x 160	71 B 4 314
	4,45	730	1,06	MR 4I 81 - 14 x 160	71 B 4 314
	4,27	762	1,06	MR 4I 80 - 14 x 160	71 C 6 211
	4,27	762	1,25	MR 4I 81 - 14 x 160	71 C 6 211
	4,29	759	1	MR 4I 81 - 19 x 200	80 A 6 210
	4,6	706	2,5	MR 4I 100 - 19 x 200	80 A 6 196
	5,32	611	1,06	MR 4I 80 - 14 x 160	71 B 4 263
	5,32	611	1,4	MR 4I 81 - 14 x 160	71 B 4 263
	5,67	573	1,4	MR 4I 80 - 14 x 160	71 C 6 159
	5,67	573	1,7	MR 4I 81 - 14 x 160	71 C 6 159
	5,35	608	1,4	MR 4I 80 - 19 x 200	80 A 6 168
	5,35	608	1,6	MR 4I 81 - 19 x 200	80 A 6 168
	5,53	588	3	MR 4I 100 - 19 x 200	80 A 6 163
	6,89	472	1,06	MR 4I 64 - 14 x 160	71 C 6 131
	6,64	490	1,7	MR 4I 80 - 14 x 160	71 B 4 211
	6,64	490	2	MR 4I 81 - 14 x 160	71 B 4 211
	9,18	354	0,95	MR 4I 63 - 14 x 160	71 B 4 152
	8,81	369	1,32	MR 4I 64 - 14 x 160	71 B 4 159
	8,83	368	2,12	MR 4I 80 - 14 x 160	71 B 4 159
	8,83	368	2,65	MR 4I 81 - 14 x 160	71 B 4 159
	9,11	365	1,6	MR 3I 80 - 14 x 160	71 C 6 98,8
	9,11	365	1,9	MR 3I 81 - 14 x 160	71 C 6 98,8
	11,2	291	1,32	MR 4I 63 - 14 x 160	71 B 4 125
	10,7	303	1,6	MR 4I 64 - 14 x 160	71 B 4 131
	10,1	322	2,65	MR 4I 80 - 14 x 160	71 B 4 139
	10,9	305	1,9	MR 3I 80 - 14 x 160	71 C 6 82,7
	10,9	305	2,24	MR 3I 81 - 14 x 160	71 C 6 82,7
	13,5	240	1,6	MR 4I 63 - 14 x 160	71 B 4 103
	13	250	1,9	MR 4I 64 - 14 x 160	71 B 4 108
	14,7	225	1,18	MR 3I 63 - 14 x 160	71 C 6 61,1
	13,4	242	3,55	MR 4I 80 - 14 x 160	71 B 4 104
	14,2	234	2,5	MR 3I 80 - 14 x 160	71 B 4 98,8
	16,5	197	2	MR 4I 63 - 14 x 160	71 B 4 84,9
	16,6	200	1,32	MR 3I 63 - 11 x 140	71 B * 4 84,3
	16	208	1,7	MR 3I 64 - 11 x 140	71 B * 4 87,7
	18,4	180	1,7	MR 3I 63 - 14 x 160	71 C 6 48,9
	18,4	181	1,5	MR 3I 63 - 19 x 200	80 A 6 48,9
	17,7	188	1,9	MR 3I 64 - 19 x 200	80 A 6 50,9
	16,9	196	3	MR 3I 80 - 14 x 160	71 B 4 82,7
	22,1	150	0,9	MR 3I 50 - 11 x 140	71 B * 4 63,2
	23,7	140	1,12	MR 3I 50 - 14 x 160	71 C 6 38
	20,8	160	2	MR 3I 63 - 11 x 140	71 B * 4 67,5
	22,9	145	1,9	MR 3I 63 - 14 x 160	71 B 4 61,1
	26,9	123	1,25	MR 3I 50 - 11 x 140	71 B * 4 52
	30,3	110	1,18	MR 3I 50 - 14 x 160	71 B 4 46,2
	29,1	114	1,6	MR 3I 50 - 14 x 160	71 C 6 30,9
	28,6	116	2,65	MR 3I 63 - 14 x 160	71 B 4 48,9
	36,8	90	1,7	MR 3I 50 - 14 x 160	71 B 4 38
	38,7	86	2,12	MR 3I 50 - 14 x 160	71 C 6 23,3
	36,9	92	1,4	MR 2I 50 - 14 x 160	71 C 6 24,4
37,4	91	3	MR 2I 63 - 14 x 160	71 C 6 24,1	
37,4	91	3	MR 2I 63 - 19 x 200	80 A 6 24,1	
40,7	83	1	MR 2I 40 - 14 x 140	71 C ** 6 22,1	
45,2	73	2,5	MR 3I 50 - 14 x 160	71 B 4 30,9	
44,8	76	2	MR 2I 50 - 14 x 160	71 C 6 20,1	
52,4	65	1,06	MR 2I 40 - 14 x 140	71 B ** 4 26,7	
49,4	69	1,4	MR 2I 40 - 14 x 140	71 C ** 6 18,2	
60,2	55	3,15	MR 3I 50 - 14 x 160	71 B 4 23,3	
57,4	59	2,12	MR 2I 50 - 14 x 160	71 B 4 24,4	
63,3	54	1,5	MR 2I 40 - 14 x 140	71 B ** 4 22,1	
72,3	46	4,25	MR 3I 50 - 14 x 160	71 B 4 19,4	
69,7	48,6	3	MR 2I 50 - 14 x 160	71 B 4 20,1	
76,9	44,1	2,12	MR 2I 40 - 14 x 140	71 B ** 4 18,2	
87,2	38,9	1,7	MR 2I 40 - 14 x 140	71 B ** 4 16,1	
85,6	39,6	4,5	MR 2I 50 - 14 x 160	71 B 4 16,3	

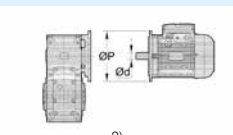
1) Powers valid for continuous duty S1; **increase possible** for duty cycles S2 ... S10 (see ch. 1 «General specifications»); in which case M_2 increases and f_s decreases.

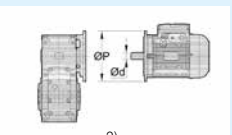
2) For complete designation when ordering see ch. 2.

* Mounting position **B5R** (see ch. 1.2).

** Mounting position **B5A** (see ch. 1.2).



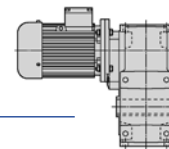
P_1 kW	n_2 min ⁻¹	M_2 N m	f_s		i
1)				2)	
0,37	105	32,2	2,5	MR 2I 40 - 14 × 140 71 B	** 4 13,3
	114	29,8	6	MR 2I 50 - 14 × 160 71 B	4 12,3
	128	26,5	3,35	MR 2I 40 - 14 × 140 71 B	** 4 11
	137	24,8	8	MR 2I 50 - 14 × 160 71 B	4 10,2
	165	20,5	4,25	MR 2I 40 - 14 × 140 71 B	** 4 8,48
208	16,3	3,35	MR 2I 40 - 14 × 140 71 B	** 4 6,75	
0,55	3,14	1540	1	MR 4I 100 - 19 × 200 80 B	6 287
	4,02	1203	1,12	MR 4I 100 - 19 × 200 80 A	4 349
	3,75	1289	1,18	MR 4I 100 - 19 × 200 80 B	6 240
	4,88	990	1,5	MR 4I 100 - 19 × 200 80 A	4 287
	5,35	903	1	MR 4I 81 - 19 × 200 80 B	6 168
	5,83	829	1,8	MR 4I 100 - 19 × 200 80 A	4 240
	6,64	728	1,06	MR 4I 80 - 14 × 160 71 C	4 211
	6,64	728	1,32	MR 4I 81 - 14 × 160 71 C	4 211
	6,67	725	0,85	MR 4I 80 - 19 × 200 80 A	4 210
	6,67	725	1	MR 4I 81 - 19 × 200 80 A	4 210
	7,16	675	2,65	MR 4I 100 - 19 × 200 80 A	4 196
	8,21	601	2,24	MR 3I 100 - 19 × 200 80 B	6 110
	8,83	547	1,4	MR 4I 80 - 14 × 160 71 C	4 159
	8,83	547	1,8	MR 4I 81 - 14 × 160 71 C	4 159
	8,32	581	1,4	MR 4I 80 - 19 × 200 80 A	4 168
	8,32	581	1,7	MR 4I 81 - 19 × 200 80 A	4 168
	8,6	562	3,15	MR 4I 100 - 19 × 200 80 A	4 163
	9,98	494	3	MR 3I 100 - 19 × 200 80 B	6 90,1
	10,7	451	1,06	MR 4I 64 - 14 × 160 71 C	4 131
	10,1	478	1,8	MR 4I 80 - 14 × 160 71 C	4 139
	10,1	478	2	MR 4I 81 - 14 × 160 71 C	4 139
	11,1	437	1,8	MR 4I 80 - 19 × 200 80 A	4 127
	11,1	437	2,24	MR 4I 81 - 19 × 200 80 A	4 127
	11,2	430	4	MR 4I 100 - 19 × 200 80 A	4 124
	11,9	414	3,55	MR 3I 100 - 19 × 200 80 B	6 75,5
	13,5	357	0,9	MR 4I 63 - 14 × 160 71 C	4 103
	13	372	1,32	MR 4I 64 - 14 × 160 71 C	4 108
	12,7	382	2,24	MR 4I 80 - 19 × 200 80 A	4 111
	12,7	382	2,5	MR 4I 81 - 19 × 200 80 A	4 111
	14,2	348	1,7	MR 3I 80 - 14 × 160 71 C	4 98,8
	14,2	348	1,9	MR 3I 81 - 14 × 160 71 C	4 98,8
	16,5	293	1,32	MR 4I 63 - 14 × 160 71 C	4 84,9
	15,8	306	1,6	MR 4I 64 - 14 × 160 71 C	4 88,6
	18,4	268	1	MR 3I 63 - 19 × 200 80 B	6 48,9
	17,7	279	1,32	MR 3I 64 - 19 × 200 80 B	6 50,9
	16,8	287	3	MR 4I 80 - 19 × 200 80 A	4 83,2
	16,9	292	2	MR 3I 80 - 14 × 160 71 C	4 82,7
	16,9	292	2,24	MR 3I 81 - 14 × 160 71 C	4 82,7
	22,9	215	1,25	MR 3I 63 - 14 × 160 71 C	4 61,1
	22	224	1,6	MR 3I 64 - 14 × 160 71 C	4 63,5
	23	215	1,5	MR 3I 63 - 19 × 200 80 B	6 39,1
	22,1	224	1,8	MR 3I 64 - 19 × 200 80 B	6 40,8
	21,1	234	2,8	MR 3I 80 - 14 × 160 71 C	4 66,3
	21,2	233	2,5	MR 3I 80 - 19 × 200 80 A	4 66
	30,3	163	0,8	MR 3I 50 - 14 × 160 71 C	4 46,2
	28,6	172	1,8	MR 3I 63 - 14 × 160 71 C	4 48,9
	28,6	172	1,6	MR 3I 63 - 19 × 200 80 A	4 48,9
	27,5	179	2	MR 3I 64 - 19 × 200 80 A	4 50,9
	36,8	134	1,12	MR 3I 50 - 14 × 160 71 C	4 38
	36,9	137	0,95	MR 2I 50 - 19 × 160 80 B	** 6 24,4
34,9	142	2,36	MR 3I 63 - 14 × 160 71 C	4 40,1	
35,8	138	2,24	MR 3I 63 - 19 × 200 80 A	4 39,1	
37,4	135	2	MR 2I 63 - 19 × 200 80 B	6 24,1	
45,2	109	1,6	MR 3I 50 - 14 × 160 71 C	4 30,9	
44,8	112	1,32	MR 2I 50 - 19 × 160 80 B	** 6 20,1	
43,6	113	3	MR 3I 63 - 19 × 200 80 A	4 32,1	
46,7	108	3	MR 2I 63 - 19 × 200 80 B	6 19,3	
60,2	82	2,12	MR 3I 50 - 14 × 160 71 C	4 23,3	
57,4	88	1,5	MR 2I 50 - 14 × 160 71 C	4 24,4	
55,1	92	1,9	MR 2I 50 - 19 × 160 80 B	** 6 16,3	
58,1	87	3,15	MR 2I 63 - 14 × 160 71 C	4 24,1	
58,1	87	3,15	MR 2I 63 - 19 × 200 80 A	4 24,1	

P_1 kW	n_2 min ⁻¹	M_2 N m	f_s		i
1)				2)	
0,55	63,3	80	1	MR 2I 40 - 14 × 140 71 C	** 4 22,1
	72,3	68	2,8	MR 3I 50 - 14 × 160 71 C	4 19,4
	69,7	72	2,12	MR 2I 50 - 14 × 160 71 C	4 20,1
	76,9	66	1,4	MR 2I 40 - 14 × 140 71 C	** 4 18,2
	87,2	58	1,12	MR 2I 40 - 14 × 140 71 C	** 4 16,1
	85,6	59	3	MR 2I 50 - 14 × 160 71 C	4 16,3
	105	47,9	1,7	MR 2I 40 - 14 × 140 71 C	** 4 13,3
	114	44,3	4	MR 2I 50 - 14 × 160 71 C	4 12,3
	128	39,4	2,24	MR 2I 40 - 14 × 140 71 C	** 4 11
	137	36,9	5,3	MR 2I 50 - 14 × 160 71 C	4 10,2
	165	30,5	2,8	MR 2I 40 - 14 × 140 71 C	** 4 8,48
	175	28,8	6	MR 2I 50 - 14 × 160 71 C	4 8,01
208	24,3	2,24	MR 2I 40 - 14 × 140 71 C	** 4 6,75	
218	23,1	6,3	MR 2I 50 - 14 × 160 71 C	4 6,42	
0,75	3,1	2126	1,4	MR 4I 125 - 24 × 200 90 S	6 290
	3,83	1723	1,8	MR 4I 125 - 24 × 200 90 S	6 235
	4,88	1350	1,12	MR 4I 100 - 19 × 200 80 B	4 287
	4,6	1432	1,25	MR 4I 100 - 19 × 200 80 C	6 196
	4,7	1403	1,06	MR 4I 100 - 24 × 200 90 S	6 192
	4,78	1378	2,5	MR 4I 125 - 24 × 200 90 S	6 188
	5,83	1130	1,32	MR 4I 100 - 19 × 200 80 B	4 240
	5,53	1192	1,5	MR 4I 100 - 19 × 200 80 C	6 163
	5,77	1142	1,5	MR 4I 100 - 24 × 200 90 S	6 156
	5,82	1132	3,15	MR 4I 125 - 24 × 200 90 S	6 155
	7,11	926	1,06	MR 4I 81 - 19 × 200 80 C	6 127
	7,16	920	1,9	MR 4I 100 - 19 × 200 80 B	4 196
	8,21	820	1,7	MR 3I 100 - 19 × 200 80 C	6 110
	7,05	934	3,75	MR 4I 125 - 24 × 200 90 S	6 128
	8,32	792	0,9	MR 4I 80 - 19 × 200 80 B	4 168
	8,32	792	1	MR 4I 81 - 19 × 200 80 B	4 168
	8,6	766	2,24	MR 4I 100 - 19 × 200 80 B	4 163
	9,98	674	2,24	MR 3I 100 - 19 × 200 80 C	6 90,1
	11,1	596	1,32	MR 4I 80 - 19 × 200 80 B	4 127
	11,1	596	1,6	MR 4I 81 - 19 × 200 80 B	4 127
	11,2	586	3	MR 4I 100 - 19 × 200 80 B	4 124
	12,8	527	2,5	MR 3I 100 - 19 × 200 80 B	4 110
	12,7	520	1,6	MR 4I 80 - 19 × 200 80 B	4 111
	12,7	520	1,9	MR 4I 81 - 19 × 200 80 B	4 111
	14,2	475	1,25	MR 3I 80 - 14 × 160 80 B	* 4 98,8
	14,2	475	1,4	MR 3I 81 - 14 × 160 80 B	* 4 98,8
	13,6	494	1,18	MR 3I 80 - 19 × 200 80 C	6 66
	13,6	494	1,32	MR 3I 81 - 19 × 200 80 C	6 66
	15,5	433	3,15	MR 3I 100 - 19 × 200 80 B	4 90,1
	14,9	450	3,15	MR 3I 100 - 24 × 200 90 S	6 60,2
17,7	381	0,95	MR 3I 64 - 19 × 200 80 C	6 50,9	
16,8	391	2,12	MR 4I 80 - 19 × 200 80 B	4 83,2	
16,8	391	2,5	MR 4I 81 - 19 × 200 80 B	4 83,2	
16,9	398	1,5	MR 3I 80 - 14 × 160 80 B	* 4 82,7	
16,9	398	1,7	MR 3I 81 - 14 × 160 80 B	* 4 82,7	
17	396	1,7	MR 3I 80 - 19 × 200 80 C	6 52,9	
17	396	2	MR 3I 81 - 19 × 200 80 C	6 52,9	
17,3	389	1,5	MR 3I 80 - 24 × 200 90 S	6 52	
17,3	389	1,7	MR 3I 81 - 24 × 200 90 S	6 52	
18,5	363	3,75	MR 3I 100 - 19 × 200 80 B	4 75,5	
22,9	294	0,95	MR 3I 63 - 14 × 160 80 B	* 4 61,1	
22	306	1,18	MR 3I 64 - 14 × 160 80 B	* 4 63,5	
23	293	1,06	MR 3I 63 - 19 × 200 80 C	6 39,1	
22,1	305	1,32	MR 3I 64 - 19 × 200 80 C	6 40,8	
21,1	319	2,12	MR 3I 80 - 14 × 160 80 B	* 4 66,3	
21,2	317	1,8	MR 3I 80 - 19 × 200 80 B	4 66	
21,2	317	2,12	MR 3I 81 - 19 × 200 80 B	4 66	
28,6	235	1,32	MR 3I 63 - 14 × 160 80 B	* 4 48,9	
28,6	235	1,18	MR 3I 63 - 19 × 200 80 B	4 48,9	
27,5	245	1,6	MR 3I 64 - 14 × 160 80 B	* 4 50,9	
27,5	245	1,5	MR 3I 64 - 19 × 200 80 B	4 50,9	
28	240	1,4	MR 3I 63 - 19 × 200 80 C	6 32,1	
26,8	251	1,8	MR 3I 64 - 19 × 200 80 C	6 33,5	
26,5	254	2,65	MR 3I 80 - 19 × 200 80 B	4 52,9	

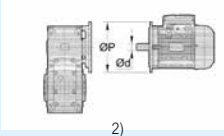
1) Powers valid for continuous duty S1; **increase possible** for duty cycles S2 ... S10 (see ch. 1 «General specifications»); in which case M_2 increases and f_s decreases.
 2) For complete designation when ordering see ch. 2.

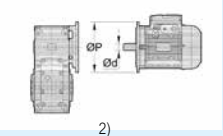
* Mounting position **B5R** (see ch. 1.2).
 ** Mounting position **B5A** (see ch. 1.2).

Helical gearmotor selection tables



11

P_1 kW	n_2 min ⁻¹	M_2 N m	f_s		i	
1)				2)		
0,75	35,8	188	1,7	MR 3I 63 - 19 × 200 80 B	4 39,1	
	34,3	196	2	MR 3I 64 - 19 × 200 80 B	4 40,8	
	32,6	207	1,9	MR 3I 64 - 19 × 200 80 C	6 27,6	
	37,4	184	1,5	MR 2I 63 - 19 × 200 80 C	6 24,1	
	35,9	191	1,9	MR 2I 64 - 19 × 200 80 C	6 25,1	
	37,4	184	1,5	MR 2I 63 - 24 × 200 90 S	6 24,1	
	35,9	191	1,9	MR 2I 64 - 24 × 200 90 S	6 25,1	
	44,8	153	1	MR 2I 50 - 19 × 160 80 C	** 6 20,1	
	43,6	155	2,12	MR 3I 63 - 19 × 200 80 B	4 32,1	
	46,7	147	2,12	MR 2I 63 - 19 × 200 80 C	6 19,3	
	46,7	147	2,12	MR 2I 63 - 24 × 200 90 S	6 19,3	
	57,4	120	1,06	MR 2I 50 - 19 × 160 80 B	** 4 24,4	
	55,1	125	1,4	MR 2I 50 - 19 × 160 80 C	** 6 16,3	
	52,8	128	2,5	MR 3I 63 - 19 × 200 80 B	4 26,5	
	58,1	118	2,24	MR 2I 63 - 19 × 200 80 B	4 24,1	
	69,7	99	1,5	MR 2I 50 - 19 × 160 80 B	** 4 20,1	
	73,2	94	1,9	MR 2I 50 - 19 × 160 80 C	** 6 12,3	
	64,2	105	3,15	MR 3I 63 - 19 × 200 80 B	4 21,8	
	72,6	95	3,35	MR 2I 63 - 19 × 200 80 B	4 19,3	
	76,9	89	1,06	MR 2I 40 - 14 × 140 71 D	** 4 18,2	
	85,6	80	2,24	MR 2I 50 - 19 × 160 80 B	** 4 16,3	
	105	65	1,25	MR 2I 40 - 14 × 140 71 D	** 4 13,3	
	114	60	2,8	MR 2I 50 - 19 × 160 80 B	** 4 12,3	
	128	54	1,7	MR 2I 40 - 14 × 140 71 D	** 4 11	
	137	50	3,75	MR 2I 50 - 19 × 160 80 B	** 4 10,2	
	165	41,6	2	MR 2I 40 - 14 × 140 71 D	** 4 8,48	
	175	39,3	4,25	MR 2I 50 - 19 × 160 80 B	** 4 8,01	
	208	33,1	1,6	MR 2I 40 - 14 × 140 71 D	** 4 6,75	
	218	31,5	4,5	MR 2I 50 - 19 × 160 80 B	** 4 6,42	
	1,1	3,1	3118	0,95	MR 4I 125 - 24 × 200 90 L	6 290
		3,83	2526	1,18	MR 4I 125 - 24 × 200 90 L	6 235
		4,82	2005	1,5	MR 4I 125 - 24 × 200 90 S	4 290
		4,78	2021	1,7	MR 4I 125 - 24 × 200 90 L	6 188
		5,77	1675	1,06	MR 4I 100 - 24 × 200 90 L	6 156
		5,95	1624	1,9	MR 4I 125 - 24 × 200 90 S	4 235
		5,82	1660	2,12	MR 4I 125 - 24 × 200 90 L	6 155
		7,16	1350	1,32	MR 4I 100 - 19 × 200 80 C	4 196
		7,31	1323	1,18	MR 4I 100 - 24 × 200 90 S	4 192
		7,44	1299	2,65	MR 4I 125 - 24 × 200 90 S	4 188
		8,6	1124	1,6	MR 4I 100 - 19 × 200 80 C	4 163
		8,97	1077	1,6	MR 4I 100 - 24 × 200 90 S	4 156
		9,06	1067	3,35	MR 4I 125 - 24 × 200 90 S	4 155
		9,69	1020	2,8	MR 3I 125 - 24 × 200 90 L	6 92,9
		11,1	874	1,12	MR 4I 81 - 19 × 200 80 C	4 127
		11,2	859	2	MR 4I 100 - 19 × 200 80 C	4 124
		10,8	897	2	MR 4I 100 - 24 × 200 90 S	4 130
		12,8	773	1,7	MR 3I 100 - 19 × 200 80 C	4 110
		12,3	803	1,6	MR 3I 100 - 24 × 200 90 L	6 73,2
11		881	4	MR 4I 125 - 24 × 200 90 S	4 128	
12		826	3,35	MR 3I 125 - 24 × 200 90 L	6 75,3	
12,7		763	0,9	MR 4I 80 - 19 × 200 80 C	4 111	
12,7		763	1,06	MR 4I 81 - 19 × 200 80 C	4 111	
14,1		685	2,5	MR 4I 100 - 24 × 200 90 S	4 99,3	
15,5		636	2,24	MR 3I 100 - 19 × 200 80 C	4 90,1	
14,9		661	2,12	MR 3I 100 - 24 × 200 90 L	6 60,2	
16,8		574	1,5	MR 4I 80 - 19 × 200 80 C	4 83,2	
16,8		574	1,7	MR 4I 81 - 19 × 200 80 C	4 83,2	
17,3		571	1	MR 3I 80 - 24 × 200 90 L	6 52	
17,3		571	1,18	MR 3I 81 - 24 × 200 90 L	6 52	
16,9		571	3	MR 4I 100 - 24 × 200 90 S	4 82,7	
18,5		532	2,65	MR 3I 100 - 19 × 200 80 C	4 75,5	
19,1		516	2,5	MR 3I 100 - 24 × 200 90 S	4 73,2	
21,2		466	1,25	MR 3I 80 - 19 × 200 80 C	4 66	
21,2		466	1,4	MR 3I 81 - 19 × 200 80 C	4 66	
21,6		457	1,5	MR 3I 80 - 24 × 200 90 L	6 41,7	
21,6		457	1,7	MR 3I 81 - 24 × 200 90 L	6 41,7	
22,8		433	3,75	MR 3I 100 - 19 × 200 80 C	4 61,5	
23,3		425	3,35	MR 3I 100 - 24 × 200 90 S	4 60,2	

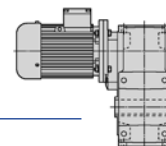
P_1 kW	n_2 min ⁻¹	M_2 N m	f_s		i	
1)				2)		
1,1	28,6	345	0,8	MR 3I 63 - 19 × 200 80 C	4 48,9	
	27,5	359	1	MR 3I 64 - 19 × 200 80 C	4 50,9	
	26,5	373	1,8	MR 3I 80 - 19 × 200 80 C	4 52,9	
	26,5	373	2,12	MR 3I 81 - 19 × 200 80 C	4 52,9	
	26,9	367	1,6	MR 3I 80 - 24 × 200 90 S	4 52	
	26,9	367	1,8	MR 3I 81 - 24 × 200 90 S	4 52	
	35,8	276	1,12	MR 3I 63 - 19 × 200 80 C	4 39,1	
	34,3	287	1,32	MR 3I 64 - 19 × 200 80 C	4 40,8	
	37,4	270	1	MR 2I 63 - 24 × 200 90 L	6 24,1	
	35,9	281	1,25	MR 2I 64 - 24 × 200 90 L	6 25,1	
	35,2	281	2,65	MR 3I 80 - 19 × 200 80 C	4 39,8	
	33,6	294	2,24	MR 3I 80 - 24 × 200 90 S	4 41,7	
	34,6	291	2	MR 2I 80 - 24 × 200 90 L	6 26	
	34,6	291	2,24	MR 2I 81 - 24 × 200 90 L	6 26	
	43,6	227	1,5	MR 3I 63 - 19 × 200 80 C	4 32,1	
	41,7	237	1,8	MR 3I 64 - 19 × 200 80 C	4 33,5	
	46,7	216	1,5	MR 2I 63 - 24 × 200 90 L	6 19,3	
	44,8	225	1,7	MR 2I 64 - 24 × 200 90 L	6 20,1	
	44,7	221	3,35	MR 3I 80 - 24 × 200 90 S	4 31,3	
	43,2	233	2,8	MR 2I 80 - 24 × 200 90 L	6 20,8	
	52,8	187	1,7	MR 3I 63 - 19 × 200 80 C	4 26,5	
	50,7	195	2	MR 3I 64 - 19 × 200 80 C	4 27,6	
	58,1	174	1,5	MR 2I 63 - 19 × 200 80 C	4 24,1	
	55,9	180	1,9	MR 2I 64 - 19 × 200 80 C	4 25,1	
	58,1	174	1,5	MR 2I 63 - 24 × 200 90 S	4 24,1	
	55,9	180	1,9	MR 2I 64 - 24 × 200 90 S	4 25,1	
	56,8	177	1,9	MR 2I 63 - 24 × 200 90 L	6 15,8	
	54,5	185	2,36	MR 2I 64 - 24 × 200 90 L	6 16,5	
	53,8	187	3	MR 2I 80 - 24 × 200 90 S	4 26	
	69,7	145	1,06	MR 2I 50 - 19 × 160 80 C	** 4 20,1	
	64,2	154	2,12	MR 3I 63 - 19 × 200 80 C	4 21,8	
	72,6	139	2,24	MR 2I 63 - 19 × 200 80 C	4 19,3	
	72,6	139	2,24	MR 2I 63 - 24 × 200 90 S	4 19,3	
	85,6	118	1,5	MR 2I 50 - 19 × 160 80 C	** 4 16,3	
	88,4	114	2,8	MR 2I 63 - 19 × 200 80 C	4 15,8	
	88,4	114	2,8	MR 2I 63 - 24 × 200 90 S	4 15,8	
	114	89	2	MR 2I 50 - 19 × 160 80 C	** 4 12,3	
	107	94	3,35	MR 2I 63 - 19 × 200 80 C	4 13,1	
	107	94	3,35	MR 2I 63 - 24 × 200 90 S	4 13,1	
	137	74	2,65	MR 2I 50 - 19 × 160 80 C	** 4 10,2	
	130	77	4,25	MR 2I 63 - 19 × 200 80 C	4 10,7	
	130	77	4,25	MR 2I 63 - 24 × 200 90 S	4 10,7	
	175	58	3	MR 2I 50 - 19 × 160 80 C	** 4 8,01	
	169	60	6	MR 2I 63 - 19 × 200 80 C	4 8,26	
	169	60	6	MR 2I 63 - 24 × 200 90 S	4 8,26	
	218	46,2	3,15	MR 2I 50 - 19 × 160 80 C	** 4 6,42	
	214	47,1	6,3	MR 2I 63 - 19 × 200 80 C	4 6,53	
	214	47,1	6,3	MR 2I 63 - 24 × 200 90 S	4 6,53	
	1,5	4,82	2734	1,12	MR 4I 125 - 24 × 200 90 L	4 290
		4,78	2756	1,25	MR 4I 125 - 24 × 200 90 LC	6 188
		4,71	2795	1,06	MR 4I 125 - 28 × 250 100 LA	6 191
		5,95	2215	1,4	MR 4I 125 - 24 × 200 90 L	4 235
5,82		2264	1,5	MR 4I 125 - 24 × 200 90 LC	6 155	
5,89		2236	1,6	MR 4I 125 - 28 × 250 100 LA	6 153	
7,44		1772	2	MR 4I 125 - 24 × 200 90 L	4 188	
7,34		1835	2,24	MR 3I 140 - 28 × 250 100 LA	6 123	
8,97		1468	1,18	MR 4I 100 - 24 × 200 90 L	4 156	
9,06		1455	2,36	MR 4I 125 - 24 × 200 90 L	4 155	
9,69		1390	2	MR 3I 125 - 24 × 200 90 LC	6 92,9	
9		1496	3,35	MR 3I 140 - 28 × 250 100 LA	6 100	
10,1		1337	3,55	MR 3I 140 - 28 × 250 100 LA	6 89,4	
10,8		1223	1,4	MR 4I 100 - 24 × 200 90 L	4 130	
12,8		1054	1,18	MR 3I 100 - 19 × 200 80 C	* 4 110	
12,3		1095	1,18	MR 3I 100 - 24 × 200 90 LC	6 73,2	
11		1201	3	MR 4I 125 - 24 × 200 90 L	4 128	
12		1126	2,36	MR 3I 125 - 24 × 200 90 LC	6 75,3	
12		1126	2,36	MR 3I 125 - 28 × 250 100 LA	6 75,3	

1) Powers valid for continuous duty S1; **increase possible** for duty cycles S2 ... S10 (see ch. 1 «General specifications»); in which case M_2 increases and f_s decreases.
 2) For complete designation when ordering see ch. 2.

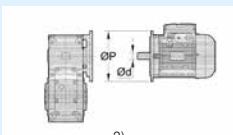
* Mounting position **B5R** (see ch. 1.2).

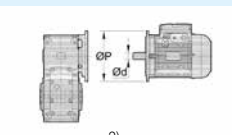
** Mounting position **B5A** (see ch. 1.2).

Helical gearmotor selection tables



11

P_1 kW	n_2 min ⁻¹	M_2 N m	f_s		i	
1)				2)		
1,5	14,1	935	1,9	MR 4I 100 - 24 x 200 90 L	4	99,3
	15,5	867	1,6	MR 3I 100 - 19 x 200 90 L	* 4	90,1
	14,9	901	1,6	MR 3I 100 - 24 x 200 90 LC	6	60,2
	15,6	863	1,5	MR 3I 100 - 28 x 250 100 LA	6	57,7
	15,1	894	3	MR 3I 125 - 24 x 200 90 L	4	92,9
	17,3	778	0,85	MR 3I 81 - 24 x 200 90 LC	6	52
	16,9	778	2,24	MR 4I 100 - 24 x 200 90 L	4	82,7
	18,5	726	1,9	MR 3I 100 - 19 x 200 90 L	* 4	75,5
	19,1	704	1,8	MR 3I 100 - 24 x 200 90 L	4	73,2
	18,4	734	2,24	MR 3I 100 - 24 x 200 90 LC	6	49
	19	710	2	MR 3I 100 - 28 x 250 100 LA	6	47,4
	18,6	724	3,75	MR 3I 125 - 24 x 200 90 L	4	75,3
	21,2	635	0,9	MR 3I 80 - 19 x 200 90 L	* 4	66
	21,2	635	1,06	MR 3I 81 - 19 x 200 90 L	* 4	66
	21,6	623	1,06	MR 3I 80 - 24 x 200 90 LC	6	41,7
	21,6	623	1,25	MR 3I 81 - 24 x 200 90 LC	6	41,7
	23,3	579	2,36	MR 3I 100 - 24 x 200 90 L	4	60,2
	26,5	509	1,32	MR 3I 80 - 19 x 200 90 L	* 4	52,9
	26,9	500	1,18	MR 3I 80 - 24 x 200 90 L	4	52
	26,5	509	1,5	MR 3I 81 - 19 x 200 90 L	* 4	52,9
	26,9	500	1,32	MR 3I 81 - 24 x 200 90 L	4	52
	28,7	469	1,6	MR 3I 80 - 24 x 200 90 LC	6	31,3
	28,7	469	1,9	MR 3I 81 - 24 x 200 90 LC	6	31,3
	28,6	472	3,35	MR 3I 100 - 24 x 200 90 L	4	49
	31,2	441	2,8	MR 2I 100 - 24 x 200 90 LC	6	28,8
	31,2	441	2,8	MR 2I 100 - 28 x 250 100 LA	6	28,8
	35,8	376	0,85	MR 3I 63 - 19 x 200 90 L	* 4	39,1
	34,3	392	1	MR 3I 64 - 19 x 200 90 L	* 4	40,8
	35,9	383	0,95	MR 2I 64 - 24 x 200 90 LC	6	25,1
	33,6	401	1,7	MR 3I 80 - 24 x 200 90 L	4	41,7
	33,6	401	1,9	MR 3I 81 - 24 x 200 90 L	4	41,7
	34,6	397	1,5	MR 2I 80 - 24 x 200 90 LC	6	26
	34,6	397	1,7	MR 2I 81 - 24 x 200 90 LC	6	26
	34,6	397	1,5	MR 2I 80 - 28 x 250 100 LA	6	26
	34,6	397	1,7	MR 2I 81 - 28 x 250 100 LA	6	26
	34,3	393	4,5	MR 3I 100 - 24 x 200 90 L	4	40,8
	37,9	362	3,75	MR 2I 100 - 28 x 250 100 LA	6	23,7
	43,6	309	1,06	MR 3I 63 - 19 x 200 90 L	* 4	32,1
	41,7	323	1,32	MR 3I 64 - 19 x 200 90 L	* 4	33,5
	46,7	294	1,06	MR 2I 63 - 24 x 200 90 LC	6	19,3
	44,8	307	1,25	MR 2I 64 - 24 x 200 90 LC	6	20,1
	44,7	301	2,5	MR 3I 80 - 24 x 200 90 L	4	31,3
	43,2	318	2,12	MR 2I 80 - 24 x 200 90 LC	6	20,8
	43,2	318	2,12	MR 2I 80 - 28 x 250 100 LA	6	20,8
	52,8	255	1,25	MR 3I 63 - 19 x 200 90 L	* 4	26,5
	50,7	266	1,4	MR 3I 64 - 19 x 200 90 L	* 4	27,6
	58,1	237	1,12	MR 2I 63 - 24 x 200 90 L	4	24,1
	55,9	246	1,4	MR 2I 64 - 24 x 200 90 L	4	25,1
	56,8	242	1,4	MR 2I 63 - 24 x 200 90 LC	6	15,8
	54,5	252	1,7	MR 2I 64 - 24 x 200 90 LC	6	16,5
51,1	263	2,5	MR 3I 80 - 24 x 200 90 L	4	27,4	
53,8	255	2,24	MR 2I 80 - 24 x 200 90 L	4	26	
64,2	210	1,6	MR 3I 63 - 19 x 200 90 L	* 4	21,8	
61,6	219	2	MR 3I 64 - 19 x 200 90 L	* 4	22,7	
72,6	189	1,6	MR 2I 63 - 24 x 200 90 L	4	19,3	
69,7	197	1,9	MR 2I 64 - 24 x 200 90 L	4	20,1	
68	198	3,75	MR 3I 80 - 24 x 200 90 L	4	20,6	
67,2	205	3,15	MR 2I 80 - 24 x 200 90 L	4	20,8	
88,4	156	2,12	MR 2I 63 - 24 x 200 90 L	4	15,8	
89,4	154	4,25	MR 2I 80 - 24 x 200 90 L	4	15,7	
107	128	2,36	MR 2I 63 - 24 x 200 90 L	4	13,1	
102	134	4,75	MR 2I 80 - 24 x 200 90 L	4	13,7	
130	105	3,15	MR 2I 63 - 24 x 200 90 L	4	10,7	
169	81	4,5	MR 2I 63 - 24 x 200 90 L	4	8,26	
214	64	4,75	MR 2I 63 - 24 x 200 90 L	4	6,53	
1,85	5,95	2731	1,12	MR 4I 125 - 24 x 200 90 LB	4	235
	5,89	2758	1,25	MR 4I 125 - 28 x 250 100 LB	6	153

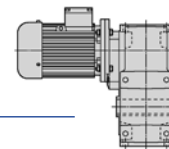
P_1 kW	n_2 min ⁻¹	M_2 N m	f_s		i	
1)				2)		
1,85	7,44	2185	1,6	MR 4I 125 - 24 x 200 90 LB	4	188
	7,34	2263	1,8	MR 3I 140 - 28 x 250 100 LB	6	123
	7,06	2354	2,8	MR 3I 160 - 28 x 250 100 LB	6	128
	9,06	1795	1,9	MR 4I 125 - 24 x 200 90 LB	4	155
	9	1845	2,8	MR 3I 140 - 28 x 250 100 LB	6	100
	10,1	1649	3	MR 3I 140 - 28 x 250 100 LB	6	89,4
	10,8	1508	1,18	MR 4I 100 - 24 x 200 90 LB	4	130
	12,8	1300	1	MR 3I 100 - 19 x 200 90 LB	* 4	110
	11	1481	2,36	MR 4I 125 - 24 x 200 90 LB	4	128
	12	1389	2	MR 3I 125 - 28 x 250 100 LB	6	75,3
	11,1	1503	3,35	MR 3I 140 - 28 x 250 100 LB	6	81,4
	14,1	1153	1,5	MR 4I 100 - 24 x 200 90 LB	4	99,3
	15,5	1069	1,32	MR 3I 100 - 19 x 200 90 LB	* 4	90,1
	15,6	1064	1,18	MR 3I 100 - 28 x 250 100 LB	6	57,7
	15,1	1102	2,36	MR 3I 125 - 24 x 200 90 LB	4	92,9
	14,7	1127	2,36	MR 3I 125 - 28 x 250 100 LB	6	61,1
	16,9	960	1,8	MR 4I 100 - 24 x 200 90 LB	4	82,7
	18,5	895	1,6	MR 3I 100 - 19 x 200 90 LB	* 4	75,5
	19,1	868	1,5	MR 3I 100 - 24 x 200 90 LB	4	73,2
	19	875	1,6	MR 3I 100 - 28 x 250 100 LB	6	47,4
	18,6	893	3	MR 3I 125 - 24 x 200 90 LB	4	75,3
	18,4	902	3,55	MR 3I 125 - 28 x 250 100 LB	6	48,9
	21,2	783	0,85	MR 3I 81 - 19 x 200 90 LB	* 4	66
	23,3	714	1,9	MR 3I 100 - 24 x 200 90 LB	4	60,2
	23,3	713	2,24	MR 3I 100 - 28 x 250 100 LB	6	38,6
	23,2	714	4,5	MR 3I 125 - 24 x 200 90 LB	4	60,2
	26,5	627	1,06	MR 3I 80 - 19 x 200 90 LB	* 4	52,9
	26,9	617	0,95	MR 3I 80 - 24 x 200 90 LB	4	52
	26,5	627	1,25	MR 3I 81 - 19 x 200 90 LB	* 4	52,9
	26,9	617	1,06	MR 3I 81 - 24 x 200 90 LB	4	52
	28,6	582	2,8	MR 3I 100 - 24 x 200 90 LB	4	49
	31,2	543	2,24	MR 2I 100 - 28 x 250 100 LB	6	28,8
	33,6	494	1,32	MR 3I 80 - 24 x 200 90 LB	4	41,7
	33,6	494	1,6	MR 3I 81 - 24 x 200 90 LB	4	41,7
	34,6	490	1,18	MR 2I 80 - 28 x 250 100 LB	6	26
	34,6	490	1,4	MR 2I 81 - 28 x 250 100 LB	6	26
	34,3	484	3,55	MR 3I 100 - 24 x 200 90 LB	4	40,8
	37,9	447	3	MR 2I 100 - 28 x 250 100 LB	6	23,7
	44,7	372	2	MR 3I 80 - 24 x 200 90 LB	4	31,3
	44,7	372	2,36	MR 3I 81 - 24 x 200 90 LB	4	31,3
	43,2	393	1,7	MR 2I 80 - 28 x 250 100 LB	6	20,8
	43,2	393	2	MR 2I 81 - 28 x 250 100 LB	6	20,8
	58,1	292	0,9	MR 2I 63 - 24 x 200 90 LB	4	24,1
	55,9	304	1,18	MR 2I 64 - 24 x 200 90 LB	4	25,1
	51,1	325	2	MR 3I 80 - 24 x 200 90 LB	4	27,4
	51,1	325	2,36	MR 3I 81 - 24 x 200 90 LB	4	27,4
	53,8	315	1,8	MR 2I 80 - 24 x 200 90 LB	4	26
	53,8	315	2,12	MR 2I 81 - 24 x 200 90 LB	4	26
	72,6	233	1,32	MR 2I 63 - 24 x 200 90 LB	4	19,3
	69,7	243	1,6	MR 2I 64 - 24 x 200 90 LB	4	20,1
68	244	3	MR 3I 80 - 24 x 200 90 LB	4	20,6	
67,2	252	2,65	MR 2I 80 - 24 x 200 90 LB	4	20,8	
88,4	192	1,7	MR 2I 63 - 24 x 200 90 LB	4	15,8	
84,7	200	2,12	MR 2I 64 - 24 x 200 90 LB	4	16,5	
89,4	190	3,55	MR 2I 80 - 24 x 200 90 LB	4	15,7	
107	158	1,9	MR 2I 63 - 24 x 200 90 LB	4	13,1	
102	166	4	MR 2I 80 - 24 x 200 90 LB	4	13,7	
130	130	2,5	MR 2I 63 - 24 x 200 90 LB	4	10,7	
136	125	5,6	MR 2I 80 - 24 x 200 90 LB	4	10,3	
169	100	3,55	MR 2I 63 - 24 x 200 90 LB	4	8,26	
214	79	3,75	MR 2I 63 - 24 x 200 90 LB	4	6,53	
2,2	5,89	3280	1,06	MR 4I 125 - 28 x 250 112 M	6	153
	7,44	2599	1,32	MR 4I 125 - 24 x 200 90 LC	4	188
	7,33	2636	1,18	MR 4I 125 - 28 x 250 100 LA	4	191
	7,34	2691	1,5	MR 3I 140 - 28 x 250 112 M	6	123
	7,06	2799	2,36	MR 3I 160 - 28 x 250 112 M	6	128
	6,85	2883	3,35	MR 3I 180 - 28 x 250 112 M	6	131

1) Powers valid for continuous duty S1; **increase possible** for duty cycles S2 ... S10 (see ch. 1 «General specifications»); in which case M_2 increases and f_s decreases.

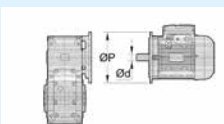
2) For complete designation when ordering see ch. 2.

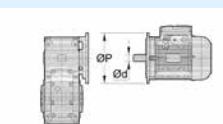
* Mounting position **B5R** (see ch. 1.2).

Helical gearmotor selection tables



11

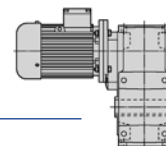
P_1 kW	n_2 min ⁻¹	M_2 N m	f_s		i
1)				2)	
2,2	9,06	2135	1,6	MR 4I 125 - 24 × 200	90 LC 4 155
	9,17	2109	1,7	MR 4I 125 - 28 × 250	100 LA 4 153
	9	2194	2,36	MR 3I 140 - 28 × 250	112 M 6 100
	8,4	2350	3,35	MR 3I 160 - 28 × 250	112 M 6 107
	10,1	1961	2,5	MR 3I 140 - 28 × 250	112 M 6 89,4
	10,8	1793	1	MR 4I 100 - 24 × 200	90 LC 4 130
	11	1762	2	MR 4I 125 - 24 × 200	90 LC 4 128
	11,2	1732	2	MR 4I 125 - 28 × 250	100 LA 4 125
	12	1652	1,6	MR 3I 125 - 28 × 250	112 M 6 75,3
	11,4	1730	2,24	MR 3I 140 - 28 × 250	100 LA 4 123
	14,1	1371	1,25	MR 4I 100 - 24 × 200	90 LC 4 99,3
	15,5	1272	1,12	MR 3I 100 - 19 × 200	90 LC * 4 90,1
	15,6	1266	1	MR 3I 100 - 28 × 250	112 M 6 57,7
	13,5	1430	2,5	MR 4I 125 - 28 × 250	100 LA 4 104
	15,1	1311	2	MR 3I 125 - 24 × 200	90 LC 4 92,9
	14,7	1340	2	MR 3I 125 - 28 × 250	112 M 6 61,1
	14	1411	3,35	MR 3I 140 - 28 × 250	100 LA 4 100
	15,7	1261	3,75	MR 3I 140 - 28 × 250	100 LA 4 89,4
	16,9	1141	1,5	MR 4I 100 - 24 × 200	90 LC 4 82,7
	18,5	1065	1,32	MR 3I 100 - 19 × 200	90 LC * 4 75,5
	19,1	1033	1,25	MR 3I 100 - 24 × 200	90 LC 4 73,2
	19	1041	1,32	MR 3I 100 - 28 × 250	112 M 6 47,4
	18,6	1062	2,5	MR 3I 125 - 28 × 250	100 LA 4 75,3
	22,8	867	1,9	MR 3I 100 - 19 × 200	90 LC * 4 61,5
	23,3	849	1,6	MR 3I 100 - 24 × 200	90 LC 4 60,2
	24,3	814	1,5	MR 3I 100 - 28 × 250	100 LA 4 57,7
	23,3	848	1,9	MR 3I 100 - 28 × 250	112 M 6 38,6
	22,9	862	3	MR 3I 125 - 28 × 250	100 LA 4 61,1
	26,5	746	0,9	MR 3I 80 - 19 × 200	90 LC * 4 52,9
	26,9	734	0,8	MR 3I 80 - 24 × 200	90 LC 4 52
	26,5	746	1,06	MR 3I 81 - 19 × 200	90 LC * 4 52,9
	26,9	734	0,9	MR 3I 81 - 24 × 200	90 LC 4 52
	28,6	692	2,36	MR 3I 100 - 24 × 200	90 LC 4 49
	29,5	669	2	MR 3I 100 - 28 × 250	100 LA 4 47,4
	28	706	2,5	MR 3I 100 - 28 × 250	112 M 6 32,2
	31,2	646	1,9	MR 2I 100 - 28 × 250	112 M 6 28,8
	33,6	588	1,12	MR 3I 80 - 24 × 200	90 LC 4 41,7
	33,6	588	1,32	MR 3I 81 - 24 × 200	90 LC 4 41,7
	34,6	583	1	MR 2I 80 - 28 × 250	112 M 6 26
	34,6	583	1,12	MR 2I 81 - 28 × 250	112 M 6 26
	36,2	545	3	MR 3I 100 - 28 × 250	100 LA 4 38,6
	37,9	532	2,5	MR 2I 100 - 28 × 250	112 M 6 23,7
	44,7	442	1,7	MR 3I 80 - 24 × 200	90 LC 4 31,3
	44,7	442	2	MR 3I 81 - 24 × 200	90 LC 4 31,3
	43,2	467	1,4	MR 2I 80 - 28 × 250	112 M 6 20,8
	43,2	467	1,7	MR 2I 81 - 28 × 250	112 M 6 20,8
	43,5	454	3,75	MR 3I 100 - 28 × 250	100 LA 4 32,2
	48,6	415	3	MR 2I 100 - 24 × 200	90 LC 4 28,8
	48,6	415	3	MR 2I 100 - 28 × 250	100 LA 4 28,8
	46,6	433	3,55	MR 2I 100 - 28 × 250	112 M 6 19,3
	55,9	361	0,95	MR 2I 64 - 24 × 200	90 LC 4 25,1
	51,1	386	1,7	MR 3I 80 - 24 × 200	90 LC 4 27,4
	51,1	386	2	MR 3I 81 - 24 × 200	90 LC 4 27,4
	53,8	375	1,5	MR 2I 80 - 24 × 200	90 LC 4 26
	53,8	375	1,8	MR 2I 81 - 24 × 200	90 LC 4 26
	53,8	375	1,5	MR 2I 80 - 28 × 250	100 LA 4 26
	53,8	375	1,8	MR 2I 81 - 28 × 250	100 LA 4 26
	57,4	351	1,9	MR 2I 80 - 28 × 250	112 M 6 15,7
	57,4	351	2,24	MR 2I 81 - 28 × 250	112 M 6 15,7
	56,9	347	4,5	MR 3I 100 - 28 × 250	100 LA 4 24,6
	59	342	4	MR 2I 100 - 24 × 200	90 LC 4 23,7
	59	342	4	MR 2I 100 - 28 × 250	100 LA 4 23,7
	72,6	278	1,12	MR 2I 63 - 24 × 200	90 LC 4 19,3
	69,7	289	1,32	MR 2I 64 - 24 × 200	90 LC 4 20,1
	68	290	2,5	MR 3I 80 - 24 × 200	90 LC 4 20,6
	67,2	300	2,24	MR 2I 80 - 24 × 200	90 LC 4 20,8
	67,2	300	2,24	MR 2I 80 - 28 × 250	100 LA 4 20,8
	68,4	289	6	MR 3I 100 - 28 × 250	100 LA 4 20,5

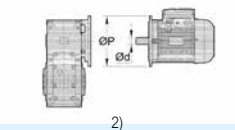
P_1 kW	n_2 min ⁻¹	M_2 N m	f_s		i
1)				2)	
2,2	88,4	228	1,4	MR 2I 63 - 24 × 200	90 LC 4 15,8
	84,7	238	1,8	MR 2I 64 - 24 × 200	90 LC 4 16,5
	89,4	226	3	MR 2I 80 - 24 × 200	90 LC 4 15,7
	89,4	226	3	MR 2I 80 - 28 × 250	100 LA 4 15,7
	107	188	1,6	MR 2I 63 - 24 × 200	90 LC 4 13,1
	103	196	1,9	MR 2I 64 - 24 × 200	90 LC 4 13,6
	102	197	3,35	MR 2I 80 - 24 × 200	90 LC 4 13,7
	102	197	3,35	MR 2I 80 - 28 × 250	100 LA 4 13,7
	130	155	2,12	MR 2I 63 - 24 × 200	90 LC 4 10,7
	125	161	2,65	MR 2I 64 - 24 × 200	90 LC 4 11,2
	136	148	4,75	MR 2I 80 - 28 × 250	100 LA 4 10,3
	169	119	3	MR 2I 63 - 24 × 200	90 LC 4 8,26
	175	115	3,35	MR 2I 64 - 24 × 200	90 LC 4 7,99
	174	116	5,6	MR 2I 80 - 28 × 250	100 LA 4 8,03
	214	94	3,15	MR 2I 63 - 24 × 200	90 LC 4 6,53
	204	99	3,35	MR 2I 64 - 24 × 200	90 LC 4 6,86
	218	92	6,3	MR 2I 80 - 28 × 250	100 LA 4 6,41
3	7,34	3670	1,12	MR 3I 140 - 28 × 250	112 MC 6 123
	7,06	3817	1,7	MR 3I 160 - 28 × 250	112 MC 6 128
	7,06	3817	1,7	MR 3I 160 - 38 × 300	132 S 6 128
	6,85	3932	2,36	MR 3I 180 - 38 × 300	132 S 6 131
	9,17	2875	1,18	MR 4I 125 - 28 × 250	112 MA 4 153
	9	2992	1,7	MR 3I 140 - 28 × 250	112 MC 6 100
	8,4	3205	2,36	MR 3I 160 - 28 × 250	112 MC 6 107
	8,4	3205	2,36	MR 3I 160 - 38 × 300	132 S 6 107
	8,36	3220	3,15	MR 3I 180 - 38 × 300	132 S 6 108
	10,1	2674	1,8	MR 3I 140 - 28 × 250	112 MC 6 89,4
	9,61	2803	2,8	MR 3I 160 - 28 × 250	112 MC 6 93,7
	9,61	2803	2,8	MR 3I 160 - 38 × 300	132 S 6 93,7
	11,2	2362	1,5	MR 4I 125 - 28 × 250	112 MA 4 125
	12	2253	1,18	MR 3I 125 - 28 × 250	112 MC 6 75,3
	11,4	2359	1,6	MR 3I 140 - 28 × 250	112 MA 4 123
	11	2454	2,5	MR 3I 160 - 28 × 250	112 MA 4 128
	13,5	1949	1,8	MR 4I 125 - 28 × 250	112 MA 4 104
	15,1	1787	1,5	MR 3I 125 - 24 × 200	112 MA * 4 92,9
	14,7	1828	1,5	MR 3I 125 - 28 × 250	112 MC 6 61,1
	14	1924	2,5	MR 3I 140 - 28 × 250	112 MA 4 100
	15,7	1719	2,8	MR 3I 140 - 28 × 250	112 MA 4 89,4
	19,1	1408	0,9	MR 3I 100 - 24 × 200	112 MA * 4 73,2
	19	1420	1	MR 3I 100 - 28 × 250	112 MC 6 47,4
	16,5	1601	2,24	MR 4I 125 - 28 × 250	112 MA 4 85,1
	18,6	1448	1,8	MR 3I 125 - 28 × 250	112 MA 4 75,3
	18,4	1462	2,12	MR 3I 125 - 28 × 250	112 MC 6 48,9
	17,2	1566	3	MR 3I 140 - 28 × 250	112 MA 4 81,4
	19,2	1400	3,55	MR 3I 140 - 28 × 250	112 MA 4 72,8
	24,3	1109	1,12	MR 3I 100 - 28 × 250	112 MA 4 57,7
	23,3	1156	1,4	MR 3I 100 - 28 × 250	112 MC 6 38,6
	22,9	1175	2,24	MR 3I 125 - 28 × 250	112 MA 4 61,1
	29,5	913	1,5	MR 3I 100 - 28 × 250	112 MA 4 47,4
	28	962	1,8	MR 3I 100 - 28 × 250	112 MC 6 32,2
	31,2	881	1,4	MR 2I 100 - 28 × 250	112 MC 6 28,8
	31,2	881	1,4	MR 2I 100 - 38 × 300	132 S 6 28,8
	28,6	940	3,35	MR 3I 125 - 28 × 250	112 MA 4 48,9
	33,6	802	0,85	MR 3I 80 - 24 × 200	112 MA * 4 41,7
	33,6	802	0,95	MR 3I 81 - 24 × 200	112 MA * 4 41,7
	34,6	795	0,85	MR 2I 81 - 28 × 250	112 MC 6 26
	36,2	743	2,12	MR 3I 100 - 28 × 250	112 MA 4 38,6
	37,9	725	1,9	MR 2I 100 - 28 × 250	112 MC 6 23,7
	37,9	725	1,9	MR 2I 100 - 38 × 300	132 S 6 23,7
	34,9	772	4,5	MR 3I 125 - 28 × 250	112 MA 4 40,1
	37,4	736	3,55	MR 2I 125 - 28 × 250	112 MC 6 24,1
	37,4	736	3,55	MR 2I 125 - 38 × 300	132 S 6 24,1

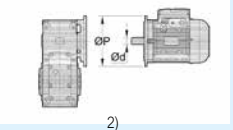
1) Powers valid for continuous duty S1; **increase possible** for duty cycles S2 ... S10 (see ch. 1 «General specifications»); in which case M_2 increases and f_s decreases.

2) For complete designation when ordering see ch. 2.

* Mounting position **B5R** (see ch. 1.2).



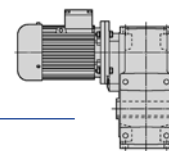
P_1 kW	n_2 min ⁻¹	M_2 N m	f_s		i
1)				2)	
3	44,7	603	1,25	MR 3I 80 - 24 × 200 112 MA * 4	31,3
	44,7	603	1,5	MR 3I 81 - 24 × 200 112 MA * 4	31,3
	43,2	637	1,06	MR 2I 80 - 28 × 250 112 MC	20,8
	43,2	637	1,18	MR 2I 81 - 28 × 250 112 MC	20,8
	43,5	619	2,8	MR 3I 100 - 28 × 250 112 MA	32,2
	48,6	566	2,12	MR 2I 100 - 28 × 250 112 MA	28,8
	46,6	590	2,65	MR 2I 100 - 28 × 250 112 MC	19,3
	46,6	590	2,65	MR 2I 100 - 38 × 300 132 S	19,3
	51,1	527	1,25	MR 3I 80 - 24 × 200 112 MA * 4	27,4
	51,1	527	1,5	MR 3I 81 - 24 × 200 112 MA * 4	27,4
	53,8	511	1,12	MR 2I 80 - 28 × 250 112 MA	26
	53,8	511	1,32	MR 2I 81 - 28 × 250 112 MA	26
	57,4	479	1,4	MR 2I 80 - 28 × 250 112 MC	15,7
	57,4	479	1,7	MR 2I 81 - 28 × 250 112 MC	15,7
	56,9	473	3,35	MR 3I 100 - 28 × 250 112 MA	24,6
	59	466	2,8	MR 2I 100 - 28 × 250 112 MA	23,7
	69,7	394	0,95	MR 2I 64 - 24 × 200 112 MA * 4	20,1
	68	396	1,9	MR 3I 80 - 24 × 200 112 MA * 4	20,6
	68	396	2,24	MR 3I 81 - 24 × 200 112 MA * 4	20,6
	67,2	409	1,6	MR 2I 80 - 28 × 250 112 MA	20,8
	67,2	409	1,9	MR 2I 81 - 28 × 250 112 MA	20,8
	68,4	394	4,5	MR 3I 100 - 28 × 250 112 MA	20,5
	72,5	379	4	MR 2I 100 - 28 × 250 112 MA	19,3
	84,7	325	1,32	MR 2I 64 - 24 × 200 112 MA * 4	16,5
	89,4	308	2,12	MR 2I 80 - 28 × 250 112 MA	15,7
	103	267	1,4	MR 2I 64 - 24 × 200 112 MA * 4	13,6
	102	269	2,36	MR 2I 80 - 28 × 250 112 MA	13,7
	125	220	1,9	MR 2I 64 - 24 × 200 112 MA * 4	11,2
	136	202	3,55	MR 2I 80 - 28 × 250 112 MA	10,3
	175	157	2,5	MR 2I 64 - 24 × 200 112 MA * 4	7,99
	174	158	4,25	MR 2I 80 - 28 × 250 112 MA	8,03
	204	135	2,36	MR 2I 64 - 24 × 200 112 MA * 4	6,86
218	126	4,5	MR 2I 80 - 28 × 250 112 MA	6,41	
4	7,06	5089	1,25	MR 3I 160 - 38 × 300 132 M	6 128
	6,85	5242	1,8	MR 3I 180 - 38 × 300 132 M	6 131
	7,55	4754	2,8	MR 3I 200 - 38 × 300 132 M	6 119
	8,4	4273	1,8	MR 3I 160 - 38 × 300 132 M	6 107
	8,36	4294	2,36	MR 3I 180 - 38 × 300 132 M	6 108
	9,61	3737	2,12	MR 3I 160 - 38 × 300 132 M	6 93,7
	9,65	3721	2,5	MR 3I 180 - 38 × 300 132 M	6 93,3
	11,2	3149	1,12	MR 4I 125 - 28 × 250 112 M	4 125
	11,4	3146	1,25	MR 3I 140 - 28 × 250 112 M	4 123
	11	3272	1,9	MR 3I 160 - 28 × 250 112 M	4 128
	10,5	3418	2,12	MR 3I 160 - 38 × 300 132 M	6 85,7
	10,7	3370	2,65	MR 3I 180 - 28 × 250 112 M	4 131
	13,5	2599	1,32	MR 4I 125 - 28 × 250 112 M	4 104
	15,1	2383	1,12	MR 3I 125 - 24 × 200 112 M * 4	4 92,9
	14	2565	1,9	MR 3I 140 - 28 × 250 112 M	4 100
	13,1	2747	2,65	MR 3I 160 - 28 × 250 112 M	4 107
	15,7	2292	2,12	MR 3I 140 - 28 × 250 112 M	4 89,4
	14,9	2403	3,15	MR 3I 160 - 28 × 250 112 M	4 93,7
	18,6	1931	1,4	MR 3I 125 - 28 × 250 112 M	4 75,3
	17,2	2088	2,24	MR 3I 140 - 28 × 250 112 M	4 81,4
	19,2	1866	2,65	MR 3I 140 - 28 × 250 112 M	4 72,8
	23,3	1544	0,9	MR 3I 100 - 24 × 200 112 M * 4	4 60,2
	22,9	1567	1,7	MR 3I 125 - 28 × 250 112 M	4 61,1
	22,6	1589	2,8	MR 3I 140 - 28 × 250 112 M	4 62
	25,3	1420	3,35	MR 3I 140 - 28 × 250 112 M	4 55,4
	28,6	1257	1,25	MR 3I 100 - 24 × 200 112 M * 4	4 49
	29,5	1217	1,12	MR 3I 100 - 28 × 250 112 M	4 47,4
	31,2	1175	1,06	MR 2I 100 - 38 × 300 132 M	6 28,8
	28,6	1253	2,5	MR 3I 125 - 28 × 250 112 M	4 48,9
	36,2	991	1,6	MR 3I 100 - 28 × 250 112 M	4 38,6
	37,9	967	1,4	MR 2I 100 - 38 × 300 132 M	6 23,7
	34,9	1030	3,35	MR 3I 125 - 28 × 250 112 M	4 40,1
37,4	982	2,65	MR 2I 125 - 38 × 300 132 M	6 24,1	

P_1 kW	n_2 min ⁻¹	M_2 N m	f_s		i	
1)				2)		
4	43,5	825	2,12	MR 3I 100 - 28 × 250 112 M	4 32,2	
	48,6	755	1,6	MR 2I 100 - 28 × 250 112 M	4 28,8	
	46,6	787	2	MR 2I 100 - 38 × 300 132 M	6 19,3	
	42,3	850	3,55	MR 3I 125 - 28 × 250 112 M	4 33,1	
	46,7	785	4	MR 2I 125 - 38 × 300 132 M	6 19,3	
	53,8	681	0,85	MR 2I 80 - 28 × 250 112 M	4 26	
	53,8	681	0,95	MR 2I 81 - 28 × 250 112 M	4 26	
	56,9	631	2,5	MR 3I 100 - 28 × 250 112 M	4 24,6	
	59	621	2,12	MR 2I 100 - 28 × 250 112 M	4 23,7	
	58,1	631	4	MR 2I 125 - 28 × 250 112 M	4 24,1	
	67,2	546	1,18	MR 2I 80 - 28 × 250 112 M	4 20,8	
	67,2	546	1,4	MR 2I 81 - 28 × 250 112 M	4 20,8	
	68,4	525	3,35	MR 3I 100 - 28 × 250 112 M	4 20,5	
	72,5	506	3	MR 2I 100 - 28 × 250 112 M	4 19,3	
	89,4	410	1,6	MR 2I 80 - 28 × 250 112 M	4 15,7	
	89,4	410	1,9	MR 2I 81 - 28 × 250 112 M	4 15,7	
	87,1	421	3,35	MR 2I 100 - 28 × 250 112 M	4 16,1	
	102	359	1,8	MR 2I 80 - 28 × 250 112 M	4 13,7	
	102	359	2,12	MR 2I 81 - 28 × 250 112 M	4 13,7	
	114	322	4,75	MR 2I 100 - 28 × 250 112 M	4 12,3	
	136	270	2,65	MR 2I 80 - 28 × 250 112 M	4 10,3	
	136	270	2,8	MR 2I 81 - 28 × 250 112 M	4 10,3	
	137	268	5	MR 2I 100 - 28 × 250 112 M	4 10,2	
	174	210	3,15	MR 2I 80 - 28 × 250 112 M	4 8,03	
	218	168	3,35	MR 2I 80 - 28 × 250 112 M	4 6,41	
	5,5	6,85	7208	1,32	MR 3I 180 - 38 × 300 132 MB	6 131
		7,55	6537	2	MR 3I 200 - 38 × 300 132 MB	6 119
		7,33	6734	2,8	MR 3I 225 - 38 × 300 132 MB	6 123
		8,4	5875	1,32	MR 3I 160 - 38 × 300 132 MB	6 107
		8,36	5904	1,8	MR 3I 180 - 38 × 300 132 MB	6 108
		9	5489	2,8	MR 3I 200 - 38 × 300 132 MB	6 100
		9,61	5139	1,5	MR 3I 160 - 38 × 300 132 MB	6 93,7
9,65		5117	1,8	MR 3I 180 - 38 × 300 132 MB	6 93,3	
10,4		4742	3,35	MR 3I 200 - 38 × 300 132 MB	6 86,4	
11,4		4325	0,9	MR 3I 140 - 28 × 250 112 MC	4 123	
11,8		4168	0,9	MR 3I 140 - 38 × 300 132 MB	6 76	
11		4498	1,32	MR 3I 160 - 28 × 250 112 MC	4 128	
11		4498	1,32	MR 3I 160 - 38 × 300 132 S	4 128	
10,5		4700	1,6	MR 3I 160 - 38 × 300 132 MB	6 85,7	
10,7		4634	1,9	MR 3I 180 - 28 × 250 112 MC	4 131	
10,7		4634	1,9	MR 3I 180 - 38 × 300 132 S	4 131	
11,7		4203	2,8	MR 3I 200 - 38 × 300 132 S	4 119	
13,5		3574	0,9	MR 4I 125 - 28 × 250 112 MC	4 104	
14		3527	1,32	MR 3I 140 - 28 × 250 112 MC	4 100	
14,5		3399	1,4	MR 3I 140 - 38 × 300 132 MB	6 62	
13,1		3777	1,9	MR 3I 160 - 28 × 250 112 MC	4 107	
13,1		3777	1,9	MR 3I 160 - 38 × 300 132 S	4 107	
13		3795	2,5	MR 3I 180 - 38 × 300 132 S	4 108	
15,7		3151	1,5	MR 3I 140 - 28 × 250 112 MC	4 89,4	
16,3		3037	1,6	MR 3I 140 - 38 × 300 132 MB	6 55,4	
14,9		3303	2,36	MR 3I 160 - 28 × 250 112 MC	4 93,7	
14,9		3303	2,36	MR 3I 160 - 38 × 300 132 S	4 93,7	
15		3289	2,65	MR 3I 180 - 38 × 300 132 S	4 93,3	
16,5		2936	1,18	MR 4I 125 - 28 × 250 112 MC	4 85,1	
18,6		2655	1	MR 3I 125 - 28 × 250 112 MC	4 75,3	
18,4		2683	1	MR 3I 125 - 38 × 300 132 MB	6 48,9	
17,2		2872	1,6	MR 3I 140 - 28 × 250 112 MC	4 81,4	
18,4	2680	1,4	MR 3I 140 - 38 × 300 132 S	4 76		
16,3	3021	2,36	MR 3I 160 - 28 × 250 112 MC	4 85,7		
16,3	3021	2,36	MR 3I 160 - 38 × 300 132 S	4 85,7		
16,3	3036	3,15	MR 3I 180 - 38 × 300 132 S	4 86,1		
19,2	2566	1,9	MR 3I 140 - 28 × 250 112 MC	4 72,8		
18,7	2643	2,8	MR 3I 160 - 38 × 300 132 S	4 74,9		
22,9	2154	1,25	MR 3I 125 - 28 × 250 112 MC	4 61,1		
23	2147	1,5	MR 3I 125 - 38 × 300 132 MB	6 39,1		
22,6	2185	2,12	MR 3I 140 - 28 × 250 112 MC	4 62		
22,6	2185	2,12	MR 3I 140 - 38 × 300 132 S	4 62		
22,1	2239	3,15	MR 3I 160 - 38 × 300 132 S	4 63,5		

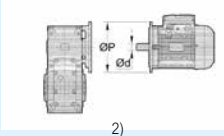
1) Powers valid for continuous duty S1; increase possible for duty cycles S2 ... S10 (see ch. 1 «General specifications»); in which case M_2 increases and f_s decreases.
2) For complete designation when ordering see ch. 2.

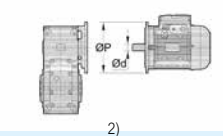
* Mounting position **B5R** (see ch. 1.2).

Helical gearmotor selection tables



11

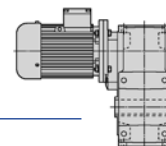
P_1 kW	n_2 min ⁻¹	M_2 N m	f_s		i	
1)				2)		
5,5	25,3	1952	2,36	MR 3I 140 - 38 × 300 132 S	4 55,4	
	28,6	1723	1,8	MR 3I 125 - 28 × 250 112 MC	4 48,9	
	28,6	1725	1,5	MR 3I 125 - 38 × 300 132 S	4 48,9	
	28	1763	2	MR 3I 125 - 38 × 300 132 MB	6 32,1	
	27,8	1779	2,5	MR 3I 140 - 38 × 300 132 S	4 50,4	
	31,1	1590	3	MR 3I 140 - 38 × 300 132 S	4 45,1	
	36,2	1362	1,18	MR 3I 100 - 28 × 250 112 MC	4 38,6	
	37,9	1329	1	MR 2I 100 - 38 × 300 132 MB	6 23,7	
	34,9	1416	2,5	MR 3I 100 - 28 × 250 112 MC	4 40,1	
	35,8	1380	2,24	MR 3I 125 - 38 × 300 132 S	4 39,1	
	37,4	1350	1,9	MR 2I 125 - 38 × 300 132 MB	6 24,1	
	43,5	1134	1,5	MR 3I 100 - 28 × 250 112 MC	4 32,2	
	48,6	1039	1,18	MR 2I 100 - 28 × 250 112 MC	4 28,8	
	48,6	1039	1,18	MR 2I 100 - 38 × 300 132 S	4 28,8	
	46,6	1082	1,5	MR 2I 100 - 38 × 300 132 MB	6 19,3	
	43,6	1134	3	MR 3I 125 - 38 × 300 132 S	4 32,1	
	46,7	1080	2,8	MR 2I 125 - 38 × 300 132 MB	6 19,3	
	56,9	867	1,8	MR 3I 100 - 28 × 250 112 MC	4 24,6	
	59	854	1,6	MR 2I 100 - 28 × 250 112 MC	4 23,7	
	59	854	1,6	MR 2I 100 - 38 × 300 132 S	4 23,7	
	52,8	936	3,35	MR 3I 125 - 38 × 300 132 S	4 26,5	
	58,1	868	3	MR 2I 125 - 28 × 250 112 MC	4 24,1	
	58,1	868	3	MR 2I 125 - 38 × 300 132 S	4 24,1	
	67,2	750	0,9	MR 2I 80 - 28 × 250 112 MC	4 20,8	
	67,2	750	1	MR 2I 81 - 28 × 250 112 MC	4 20,8	
	68,4	722	2,36	MR 3I 100 - 28 × 250 112 MC	4 20,5	
	72,5	696	2,24	MR 2I 100 - 28 × 250 112 MC	4 19,3	
	72,5	696	2,24	MR 2I 100 - 38 × 300 132 S	4 19,3	
	64,2	769	4,5	MR 3I 125 - 38 × 300 132 S	4 21,8	
	72,6	694	4	MR 2I 125 - 38 × 300 132 S	4 19,3	
	89,4	564	1,18	MR 2I 80 - 28 × 250 112 MC	4 15,7	
	89,4	564	1,4	MR 2I 81 - 28 × 250 112 MC	4 15,7	
	87,1	579	2,5	MR 2I 100 - 28 × 250 112 MC	4 16,1	
	87,1	579	2,5	MR 2I 100 - 38 × 300 132 S	4 16,1	
	102	493	1,32	MR 2I 80 - 28 × 250 112 MC	4 13,7	
	102	493	1,5	MR 2I 81 - 28 × 250 112 MC	4 13,7	
	114	443	3,55	MR 2I 100 - 28 × 250 112 MC	4 12,3	
	114	443	3,55	MR 2I 100 - 38 × 300 132 S	4 12,3	
	136	371	1,9	MR 2I 80 - 28 × 250 112 MC	4 10,3	
	136	371	2,12	MR 2I 81 - 28 × 250 112 MC	4 10,3	
	137	369	3,55	MR 2I 100 - 38 × 300 132 S	4 10,2	
	174	289	2,24	MR 2I 80 - 28 × 250 112 MC	4 8,03	
	174	289	2,65	MR 2I 81 - 28 × 250 112 MC	4 8,03	
	175	288	4,75	MR 2I 100 - 38 × 300 132 S	4 8,01	
	218	231	2,5	MR 2I 80 - 28 × 250 112 MC	4 6,41	
	218	231	2,8	MR 2I 81 - 28 × 250 112 MC	4 6,41	
	218	231	5,3	MR 2I 100 - 38 × 300 132 S	4 6,42	
	7,5	7,55	8914	1,5	MR 3I 200 - 38 × 300 132 MC	6 119
		7,55	8914	1,5	MR 3I 200 - 42 × 350 160 M	6 119
		7,33	9183	2	MR 3I 225 - 38 × 300 132 MC	6 123
7,33		9183	2	MR 3I 225 - 42 × 350 160 M	6 123	
8,36		8051	1,32	MR 3I 180 - 38 × 300 132 MC	6 108	
9		7484	2	MR 3I 200 - 38 × 300 132 MC	6 100	
9		7484	2	MR 3I 200 - 42 × 350 160 M	6 100	
9,13		7372	3	MR 3I 225 - 38 × 300 132 MC	6 98,5	
9,13		7372	3	MR 3I 225 - 42 × 350 160 M	6 98,5	
9,61		7007	1,12	MR 3I 160 - 38 × 300 132 MC	6 93,7	
9,65		6978	1,32	MR 3I 180 - 38 × 300 132 MC	6 93,3	
10,4		6467	2,5	MR 3I 200 - 38 × 300 132 MC	6 86,4	
10,4		6467	2,5	MR 3I 200 - 42 × 350 160 M	6 86,4	
10,1		6639	3,35	MR 3I 225 - 38 × 300 132 MC	6 88,8	
10,1		6639	3,35	MR 3I 225 - 42 × 350 160 M	6 88,8	
11		6134	1	MR 3I 160 - 38 × 300 132 M	4 128	
10,5		6409	1,18	MR 3I 160 - 38 × 300 132 MC	6 85,7	
10,7		6319	1,4	MR 3I 180 - 38 × 300 132 M	4 131	
11,7		5731	2,12	MR 3I 200 - 38 × 300 132 M	4 119	
11,4		5903	3	MR 3I 225 - 38 × 300 132 M	4 123	

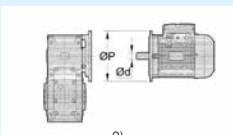
P_1 kW	n_2 min ⁻¹	M_2 N m	f_s		i
1)				2)	
7,5	14,5	4635	1	MR 3I 140 - 38 × 300 132 MC	6 62
	13,1	5150	1,4	MR 3I 160 - 38 × 300 132 M	4 107
	13	5176	1,9	MR 3I 180 - 38 × 300 132 M	4 108
	14	4811	3	MR 3I 200 - 38 × 300 132 M	4 100
	16,3	4141	1,18	MR 3I 140 - 38 × 300 132 MC	6 55,4
	14,9	4505	1,7	MR 3I 160 - 38 × 300 132 M	4 93,7
	15	4486	2	MR 3I 180 - 38 × 300 132 M	4 93,3
	16,2	4157	3,55	MR 3I 200 - 38 × 300 132 M	4 86,4
	18,4	3654	1	MR 3I 140 - 38 × 300 132 M	4 76
	17,8	3774	1,25	MR 3I 140 - 38 × 300 132 MC	6 50,4
	16,3	4120	1,7	MR 3I 160 - 38 × 300 132 M	4 85,7
	16,3	4141	2,24	MR 3I 180 - 38 × 300 132 M	4 86,1
	20	3372	1,4	MR 3I 140 - 38 × 300 132 MC	6 45,1
	18,7	3604	2,12	MR 3I 160 - 38 × 300 132 M	4 74,9
	18,8	3588	2,8	MR 3I 180 - 38 × 300 132 M	4 74,6
	22,9	2938	0,9	MR 3I 125 - 28 × 250 132 M	* 4 61,1
	23	2927	1,06	MR 3I 125 - 38 × 300 132 MC	6 39,1
	22,6	2979	1,5	MR 3I 140 - 38 × 300 132 M	4 62
	22,1	3053	2,24	MR 3I 160 - 38 × 300 132 M	4 63,5
	25,3	2662	1,8	MR 3I 140 - 38 × 300 132 M	4 55,4
	25,2	2670	2,8	MR 3I 160 - 38 × 300 132 M	4 55,5
	28,6	2350	1,32	MR 3I 125 - 28 × 250 132 M	* 4 48,9
	28,6	2352	1,12	MR 3I 125 - 38 × 300 132 M	4 48,9
	28	2404	1,5	MR 3I 125 - 38 × 300 132 MC	6 32,1
	27,8	2426	1,9	MR 3I 140 - 38 × 300 132 M	4 50,4
	27,6	2442	2,8	MR 3I 160 - 38 × 300 132 M	4 50,8
	31,1	2168	2,24	MR 3I 140 - 38 × 300 132 M	4 45,1
	35,8	1882	1,7	MR 3I 125 - 38 × 300 132 M	4 39,1
	37,4	1841	1,4	MR 2I 125 - 38 × 300 132 MC	6 24,1
	37,4	1841	1,4	MR 2I 125 - 42 × 350 160 M	6 24,1
	36,2	1859	2,5	MR 3I 140 - 38 × 300 132 M	4 38,7
	37,3	1805	2,65	MR 3I 140 - 38 × 300 132 M	4 37,5
	46,6	1476	1,06	MR 2I 100 - 38 × 300 132 MC	6 19,3
	43,6	1546	2,24	MR 3I 125 - 38 × 300 132 M	4 32,1
	46,7	1472	2,12	MR 2I 125 - 38 × 300 132 MC	6 19,3
	46,7	1472	2,12	MR 2I 125 - 42 × 350 160 M	6 19,3
	43,5	1548	2,8	MR 3I 140 - 38 × 300 132 M	4 32,2
	48,1	1399	2,8	MR 3I 140 - 38 × 300 132 M	4 29,1
	59	1165	1,18	MR 2I 100 - 38 × 300 132 M	4 23,7
	52,8	1276	2,36	MR 3I 125 - 38 × 300 132 M	4 26,5
	58,1	1183	2,12	MR 2I 125 - 38 × 300 132 M	4 24,1
	58,1	1183	3	MR 2I 140 - 38 × 300 132 M	4 24,1
	72,5	949	1,6	MR 2I 100 - 38 × 300 132 M	4 19,3
	64,2	1048	3,35	MR 3I 125 - 38 × 300 132 M	4 21,8
	72,6	947	2,8	MR 2I 125 - 38 × 300 132 M	4 19,3
87,1	790	1,8	MR 2I 100 - 38 × 300 132 M	4 16,1	
88,4	778	3,55	MR 2I 125 - 38 × 300 132 M	4 15,8	
114	604	2,5	MR 2I 100 - 38 × 300 132 M	4 12,3	
107	642	4,25	MR 2I 125 - 38 × 300 132 M	4 13,1	
137	503	2,65	MR 2I 100 - 38 × 300 132 M	4 10,2	
130	527	5	MR 2I 125 - 38 × 300 132 M	4 10,7	
175	393	3,35	MR 2I 100 - 38 × 300 132 M	4 8,01	
169	406	6,7	MR 2I 125 - 38 × 300 132 M	4 8,26	
218	315	3,75	MR 2I 100 - 38 × 300 132 M	4 6,42	
214	321	7,5	MR 2I 125 - 38 × 300 132 M	4 6,53	
9,2	10,7	7751	1,12	MR 3I 180 - 38 × 300 132 MB	4 131
	11,7	7030	1,7	MR 3I 200 - 38 × 300 132 MB	4 119
	11,4	7242	2,36	MR 3I 225 - 38 × 300 132 MB	4 123
	13,1	6317	1,12	MR 3I 160 - 38 × 300 132 MB	4 107
	13	6349	1,5	MR 3I 180 - 38 × 300 132 MB	4 108
	14	5902	2,36	MR 3I 200 - 38 × 300 132 MB	4 100
	14,9	5526	1,4	MR 3I 160 - 38 × 300 132 MB	4 93,7
	15	5502	1,6	MR 3I 180 - 38 × 300 132 MB	4 93,3
	16,2	5100	3	MR 3I 200 - 38 × 300 132 MB	4 86,4

1) Powers valid for continuous duty S1; **increase possible** for duty cycles S2 ... S10 (see ch. 1 «General specifications»); in which case M_2 increases and f_s decreases.

2) For complete designation when ordering see ch. 2.

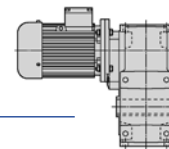
* Mounting position **B5R** (see ch. 1.2).

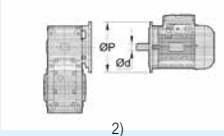


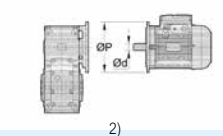
P_1 kW	n_2 min ⁻¹	M_2 N m	f_s		i	
1)				2)		
9,2	18,4	4482	0,85	MR 3I 140 - 38 × 300 132 MB	4 76	
	16,3	5054	1,4	MR 3I 160 - 38 × 300 132 MB	4 85,7	
	16,3	5079	1,8	MR 3I 180 - 38 × 300 132 MB	4 86,1	
	16,7	4955	2,8	MR 3I 200 - 38 × 300 132 MB	4 84	
	18,7	4421	1,7	MR 3I 160 - 38 × 300 132 MB	4 74,9	
	18,8	4402	2,36	MR 3I 180 - 38 × 300 132 MB	4 74,6	
	22,6	3655	1,25	MR 3I 140 - 38 × 300 132 MB	4 62	
	22,1	3745	1,8	MR 3I 160 - 38 × 300 132 MB	4 63,5	
	21,9	3763	2,5	MR 3I 180 - 38 × 300 132 MB	4 63,8	
	25,3	3266	1,4	MR 3I 140 - 38 × 300 132 MB	4 55,4	
	25,2	3275	2,24	MR 3I 160 - 38 × 300 132 MB	4 55,5	
	25,3	3261	2,65	MR 3I 180 - 38 × 300 132 MB	4 55,3	
	28,6	2885	0,9	MR 3I 125 - 38 × 300 132 MB	4 48,9	
	27,8	2976	1,5	MR 3I 140 - 38 × 300 132 MB	4 50,4	
	27,6	2996	2,24	MR 3I 160 - 38 × 300 132 MB	4 50,8	
	27,4	3011	3	MR 3I 180 - 38 × 300 132 MB	4 51	
	31,1	2659	1,8	MR 3I 140 - 38 × 300 132 MB	4 45,1	
	31,5	2620	2,8	MR 3I 160 - 38 × 300 132 MB	4 44,4	
	35,8	2308	1,32	MR 3I 125 - 38 × 300 132 MB	4 39,1	
	36,2	2281	2	MR 3I 140 - 38 × 300 132 MB	4 38,7	
	36,4	2271	3,35	MR 3I 160 - 38 × 300 132 MB	4 38,5	
	37,3	2214	2,12	MR 3I 140 - 38 × 300 132 MB	4 37,5	
	43,6	1896	1,8	MR 3I 125 - 38 × 300 132 MB	4 32,1	
	43,5	1899	2,24	MR 3I 140 - 38 × 300 132 MB	4 32,2	
	48,1	1716	2,24	MR 3I 140 - 38 × 300 132 MB	4 29,1	
	59	1429	0,95	MR 2I 100 - 38 × 300 132 MB	4 23,7	
	52,8	1565	2	MR 3I 125 - 38 × 300 132 MB	4 26,5	
	58,1	1451	1,8	MR 2I 125 - 38 × 300 132 MB	4 24,1	
	58,1	1451	2,36	MR 2I 140 - 38 × 300 132 MB	4 24,1	
	64,6	1306	2,8	MR 2I 140 - 38 × 300 132 MB	4 21,7	
	72,5	1164	1,32	MR 2I 100 - 38 × 300 132 MB	4 19,3	
	64,2	1286	2,65	MR 3I 125 - 38 × 300 132 MB	4 21,8	
	72,6	1161	2,36	MR 2I 125 - 38 × 300 132 MB	4 19,3	
	87,1	969	1,5	MR 2I 100 - 38 × 300 132 MB	4 16,1	
	88,4	954	2,8	MR 2I 125 - 38 × 300 132 MB	4 15,8	
	114	741	2,12	MR 2I 100 - 38 × 300 132 MB	4 12,3	
	107	787	3,35	MR 2I 125 - 38 × 300 132 MB	4 13,1	
	137	617	2,12	MR 2I 100 - 38 × 300 132 MB	4 10,2	
	130	647	4,25	MR 2I 125 - 38 × 300 132 MB	4 10,7	
	175	482	2,8	MR 2I 100 - 38 × 300 132 MB	4 8,01	
	169	498	5,3	MR 2I 125 - 38 × 300 132 MB	4 8,26	
	218	387	3,15	MR 2I 100 - 38 × 300 132 MB	4 6,42	
	214	394	6	MR 2I 125 - 38 × 300 132 MB	4 6,53	
	11	7,55	13075	1	MR 3I 200 - 42 × 350 160 L	6 119
		7,33	13468	1,4	MR 3I 225 - 42 × 350 160 L	6 123
7,2		13712	2	MR 3I 250 - 42 × 350 160 L	6 125	
7,31		13504	2,65	MR 3I 280 - 42 × 350 160 L	6 123	
9		10977	1,4	MR 3I 200 - 42 × 350 160 L	6 100	
9,13		10813	2	MR 3I 225 - 42 × 350 160 L	6 98,5	
9,14		10803	2,8	MR 3I 250 - 42 × 350 160 L	6 98,5	
10,4		9485	1,7	MR 3I 200 - 42 × 350 160 L	6 86,4	
10,1		9738	2,24	MR 3I 225 - 42 × 350 160 L	6 88,8	
10,1		9764	3,15	MR 3I 250 - 42 × 350 160 L	6 89	
11,6		8545	1	MR 3I 180 - 42 × 350 160 L	6 77,9	
11,7		8405	1,4	MR 3I 200 - 38 × 300 132 MC	4 119	
11,7		8405	1,4	MR 3I 200 - 42 × 350 160 M	4 119	
11,4		8658	2	MR 3I 225 - 38 × 300 132 MC	4 123	
11,4		8658	2	MR 3I 225 - 42 × 350 160 M	4 123	
11,2		8815	2,8	MR 3I 250 - 42 × 350 160 M	4 125	
14,2		6965	1	MR 3I 160 - 42 × 350 160 L	6 63,5	
13		7591	1,25	MR 3I 180 - 38 × 300 132 MC	4 108	
14,1		6999	1,4	MR 3I 180 - 42 × 350 160 L	6 63,8	
14		7057	2	MR 3I 200 - 38 × 300 132 MC	4 100	
14		7057	2	MR 3I 200 - 42 × 350 160 M	4 100	
14,2		6951	3	MR 3I 225 - 38 × 300 132 MC	4 98,5	
14,2		6951	3	MR 3I 225 - 42 × 350 160 M	4 98,5	
11		14,9	6607	1,18	MR 3I 160 - 38 × 300 132 MC	4 93,7
		16,2	6092	1,25	MR 3I 160 - 42 × 350 160 L	6 55,5
		15	6579	1,32	MR 3I 180 - 38 × 300 132 MC	4 93,3
		16,3	6066	1,5	MR 3I 180 - 42 × 350 160 L	6 55,3
		16,2	6097	2,5	MR 3I 200 - 38 × 300 132 MC	4 86,4
		16,2	6097	2,5	MR 3I 200 - 42 × 350 160 M	4 86,4
		16,3	6043	1,18	MR 3I 160 - 38 × 300 132 MC	4 85,7
		18,5	5333	1,12	MR 3I 160 - 42 × 350 160 M	4 75,6
		16,3	6073	1,5	MR 3I 180 - 38 × 300 132 MC	4 86,1
		18	5493	1,5	MR 3I 180 - 42 × 350 160 M	4 77,9
		16,7	5925	2,36	MR 3I 200 - 38 × 300 132 MC	4 84
		16,7	5925	2,36	MR 3I 200 - 42 × 350 160 M	4 84
		18,7	5286	1,4	MR 3I 160 - 38 × 300 132 MC	4 74,9
		20,3	4873	1,5	MR 3I 160 - 42 × 350 160 L	6 44,4
		18,8	5263	2	MR 3I 180 - 38 × 300 132 MC	4 74,6
		20,3	4853	2,12	MR 3I 180 - 42 × 350 160 L	6 44,2
		19,3	5119	2,8	MR 3I 200 - 42 × 350 160 M	4 72,6
		22,6	4370	1,06	MR 3I 140 - 38 × 300 132 MC	4 62
		22,1	4477	1,5	MR 3I 160 - 38 × 300 132 MC	4 63,5
		22,1	4477	1,5	MR 3I 160 - 42 × 350 160 M	4 63,5
		21,9	4499	2,12	MR 3I 180 - 38 × 300 132 MC	4 63,8
		21,9	4499	2,12	MR 3I 180 - 42 × 350 160 M	4 63,8
	25,3	3904	1,18	MR 3I 140 - 38 × 300 132 MC	4 55,4	
	25,2	3916	1,9	MR 3I 160 - 38 × 300 132 MC	4 55,5	
	25,2	3916	1,9	MR 3I 160 - 42 × 350 160 M	4 55,5	
	25,3	3899	2,24	MR 3I 180 - 42 × 350 160 M	4 55,3	
	27,8	3558	1,32	MR 3I 140 - 38 × 300 132 MC	4 50,4	
	27,6	3582	1,9	MR 3I 160 - 38 × 300 132 MC	4 50,8	
	27,6	3582	1,9	MR 3I 160 - 42 × 350 160 M	4 50,8	
	27,4	3600	2,5	MR 3I 180 - 42 × 350 160 M	4 51	
	31,1	3179	1,5	MR 3I 140 - 38 × 300 132 MC	4 45,1	
	31,5	3133	2,36	MR 3I 160 - 38 × 300 132 MC	4 44,4	
	31,5	3133	2,36	MR 3I 160 - 42 × 350 160 M	4 44,4	
	35,8	2760	1,12	MR 3I 125 - 38 × 300 132 MC	4 39,1	
	37,4	2699	0,95	MR 2I 125 - 42 × 350 160 L	6 24,1	
	36,2	2727	1,7	MR 3I 140 - 38 × 300 132 MC	4 38,7	
	37,4	2699	1,32	MR 2I 140 - 42 × 350 160 L	6 24,1	
	36,4	2715	2,8	MR 3I 160 - 42 × 350 160 M	4 38,5	
	36,6	2758	2,12	MR 2I 160 - 42 × 350 160 L	6 24,6	
	37,3	2647	1,8	MR 3I 140 - 38 × 300 132 MC	4 37,5	
	41,5	2430	1,6	MR 2I 140 - 42 × 350 160 L	6 21,7	
	38,4	2573	2,8	MR 3I 160 - 42 × 350 160 M	4 36,5	
	40	2521	2,5	MR 2I 160 - 42 × 350 160 L	6 22,5	
	43,6	2267	1,5	MR 3I 125 - 38 × 300 132 MC	4 32,1	
	46,7	2160	1,4	MR 2I 125 - 42 × 350 160 L	6 19,3	
43,5	2271	1,9	MR 3I 140 - 38 × 300 132 MC	4 32,2		
45,8	2201	1,9	MR 2I 140 - 42 × 350 160 L	6 19,6		
44,3	2230	3,35	MR 3I 160 - 42 × 350 160 M	4 31,6		
43,5	2316	3	MR 2I 160 - 42 × 350 160 L	6 20,7		
48,1	2052	1,9	MR 3I 140 - 38 × 300 132 MC	4 29,1		
51,3	1967	2,12	MR 2I 140 - 42 × 350 160 L	6 17,6		
49,3	2002	3,35	MR 3I 160 - 42 × 350 160 M	4 28,4		
52,8	1871	1,6	MR 3I 125 - 38 × 300 132 MC	4 26,5		
58,1	1735	1,5	MR 2I 125 - 38 × 300 132 MC	4 24,1		
58,1	1735	1,5	MR 2I 125 - 42 × 350 160 M	4 24,1		
56,8	1774	1,6	MR 2I 125 - 42 × 350 160 L	6 15,8		
58,1	1735	2	MR 2I 140 - 38 × 300 132 MC	4 24,1		
58,1	1735	2	MR 2I 140 - 42 × 350 160 M	4 24,1		
64,6	1562	2,36	MR 2I 140 - 38 × 300 132 MC	4 21,7		
64,6	1562	2,36	MR 2I 140 - 42 × 350 160 M	4 21,7		
72,5	1391	1,12	MR 2I 100 - 38 × 300 132 MC	4 19,3		
64,2	1537	2,24	MR 3I 125 - 38 × 300 132 MC	4 21,8		
72,6	1388	2	MR 2I 125 - 38 × 300 132 MC	4 19,3		
72,6	1388	2	MR 2I 125 - 42 × 350 160 M	4 19,3		
71,3	1415	2,8	MR 2I 140 - 38 × 300 132 MC	4 19,6		
71,3	1415	2,8	MR 2I 140 - 42 × 350 160 M	4 19,6		
87,1	1158	1,25	MR 2I 100 - 38 × 300 132 MC	4 16,1		
88,4	1140	2,36	MR 2I 125 - 38 × 300 132 MC	4 15,8		
88,4	1140	2,36	MR 2I 125 - 42 × 350 160 M	4 15,8		

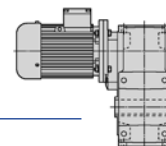
1) Powers valid for continuous duty S1; **increase possible** for duty cycles S2 ... S10 (see ch. 1 «General specifications»); in which case M_2 increases and f_s decreases.

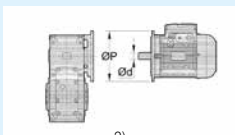
2) For complete designation when ordering see ch. 2.



P_1	n_2	M_2	f_s		i			
kW	min ⁻¹	N m						
1)				2)				
11	114	885	1,7	MR 2I 100 - 38 × 300	132 MC	4	12,3	
	107	941	2,8	MR 2I 125 - 38 × 300	132 MC	4	13,1	
	107	941	2,8	MR 2I 125 - 42 × 350	160 M	4	13,1	
	137	737	1,8	MR 2I 100 - 38 × 300	132 MC	4	10,2	
	130	773	3,55	MR 2I 125 - 38 × 300	132 MC	4	10,7	
	130	773	3,55	MR 2I 125 - 42 × 350	160 M	4	10,7	
	175	577	2,36	MR 2I 100 - 38 × 300	132 MC	4	8,01	
	169	595	4,5	MR 2I 125 - 38 × 300	132 MC	4	8,26	
	169	595	4,5	MR 2I 125 - 42 × 350	160 M	4	8,26	
	218	462	2,65	MR 2I 100 - 38 × 300	132 MC	4	6,42	
	214	471	5	MR 2I 125 - 38 × 300	132 MC	4	6,53	
	214	471	5	MR 2I 125 - 42 × 350	160 M	4	6,53	
	15	7,2	18698	1,4	MR 3I 250 - 48 × 350	180 L	6	125
		7,31	18414	2	MR 3I 280 - 48 × 350	180 L	6	123
9		14969	1	MR 3I 200 - 48 × 350	180 L	6	100	
9,13		14745	1,5	MR 3I 225 - 48 × 350	180 L	6	98,5	
9,14		14731	2,12	MR 3I 250 - 48 × 350	180 L	6	98,5	
8,97		15015	2,65	MR 3I 280 - 48 × 350	180 L	6	100	
10,4		12934	1,25	MR 3I 200 - 48 × 350	180 L	6	86,4	
10,1		13279	1,6	MR 3I 225 - 48 × 350	180 L	6	88,8	
10,1		13315	2,36	MR 3I 250 - 48 × 350	180 L	6	89	
10		13416	3,15	MR 3I 280 - 48 × 350	180 L	6	89,7	
11,7		11461	1,06	MR 3I 200 - 42 × 350	160 L	4	119	
10,7		12568	1,18	MR 3I 200 - 48 × 350	180 L	6	84	
11,4		11807	1,5	MR 3I 225 - 42 × 350	160 L	4	123	
11,2		12020	2,12	MR 3I 250 - 42 × 350	160 L	4	125	
10,9		12368	2,36	MR 3I 250 - 48 × 350	180 L	6	82,7	
11,4		11838	2,8	MR 3I 280 - 42 × 350	160 L	4	123	
14,1		9544	1	MR 3I 180 - 48 × 350	180 L	6	63,8	
14		9623	1,5	MR 3I 200 - 42 × 350	160 L	4	100	
14,2		9479	2,12	MR 3I 225 - 42 × 350	160 L	4	98,5	
14,2		9470	3	MR 3I 250 - 42 × 350	160 L	4	98,5	
16,3		8272	1,06	MR 3I 180 - 48 × 350	180 L	6	55,3	
16,2		8315	1,8	MR 3I 200 - 42 × 350	160 L	4	86,4	
15,8		8536	2,5	MR 3I 225 - 42 × 350	160 L	4	88,8	
18		7491	1,12	MR 3I 180 - 42 × 350	160 L	4	77,9	
16,7		8079	1,7	MR 3I 200 - 42 × 350	160 L	4	84	
16,9		7958	2,5	MR 3I 225 - 42 × 350	160 L	4	82,7	
20,3		6646	1,12	MR 3I 160 - 48 × 350	180 L	6	44,4	
20,3		6617	1,6	MR 3I 180 - 48 × 350	180 L	6	44,2	
19,3		6981	2,12	MR 3I 200 - 42 × 350	160 L	4	72,6	
18,8		7167	2,8	MR 3I 225 - 42 × 350	160 L	4	74,5	
22,1		6105	1,12	MR 3I 160 - 42 × 350	160 L	4	63,5	
21,9		6136	1,5	MR 3I 180 - 42 × 350	160 L	4	63,8	
22,4		6022	2,24	MR 3I 200 - 42 × 350	160 L	4	62,6	
25,2		5340	1,4	MR 3I 160 - 42 × 350	160 L	4	55,5	
25,3		5317	1,7	MR 3I 180 - 42 × 350	160 L	4	55,3	
25,9		5203	2,8	MR 3I 200 - 42 × 350	160 L	4	54,1	
27,8		4852	0,95	MR 3I 140 - 38 × 300	160 L	4	50,4	
27,6		4884	1,4	MR 3I 160 - 42 × 350	160 L	4	50,8	
27,4		4908	1,9	MR 3I 180 - 42 × 350	160 L	4	51	
26,6		5056	2,65	MR 3I 200 - 42 × 350	160 L	4	52,6	
31,1		4335	1,12	MR 3I 140 - 38 × 300	160 L	4	45,1	
31,5		4272	1,7	MR 3I 160 - 42 × 350	160 L	4	44,4	
31,7		4254	2,36	MR 3I 180 - 42 × 350	160 L	4	44,2	
36,2		3719	1,25	MR 3I 140 - 38 × 300	160 L	4	38,7	
37,4		3681	1	MR 2I 140 - 48 × 350	180 L	6	24,1	
36,4		3703	2	MR 3I 160 - 42 × 350	160 L	4	38,5	
36,6		3761	1,5	MR 2I 160 - 48 × 350	180 L	6	24,6	
35,1		3840	2,5	MR 3I 180 - 42 × 350	160 L	4	39,9	
35,5		3875	2,12	MR 2I 180 - 48 × 350	180 L	6	25,4	
37,3		3610	1,32	MR 3I 140 - 38 × 300	160 L	4	37,5	
41,5	3313	1,18	MR 2I 140 - 48 × 350	180 L	6	21,7		
38,4	3509	2,12	MR 3I 160 - 42 × 350	160 L	4	36,5		
40	3438	1,9	MR 2I 160 - 48 × 350	180 L	6	22,5		
38,5	3494	2,8	MR 3I 180 - 42 × 350	160 L	4	36,3		
38,6	3565	2,5	MR 2I 180 - 48 × 350	180 L	6	23,3		

P_1	n_2	M_2	f_s		i		
kW	min ⁻¹	N m					
1)				2)			
15	43,5	3097	1,4	MR 3I 140 - 38 × 300	160 L	4	32,2
	45,8	3002	1,4	MR 2I 140 - 48 × 350	180 L	6	19,6
	44,3	3041	2,5	MR 3I 160 - 42 × 350	160 L	4	31,6
	43,5	3158	2,12	MR 2I 160 - 48 × 350	180 L	6	20,7
	42,7	3155	3,35	MR 3I 180 - 42 × 350	160 L	4	32,8
	43,3	3174	2,8	MR 2I 180 - 48 × 350	180 L	6	20,8
	48,1	2798	1,4	MR 3I 140 - 38 × 300	160 L	4	29,1
	51,3	2682	1,6	MR 2I 140 - 48 × 350	180 L	6	17,6
	49,3	2730	2,5	MR 3I 160 - 42 × 350	160 L	4	28,4
	49,8	2762	2,65	MR 2I 160 - 48 × 350	180 L	6	18,1
	58,1	2366	1,06	MR 2I 125 - 42 × 350	160 L	4	24,1
	58,1	2366	1,5	MR 2I 140 - 42 × 350	160 L	4	24,1
	56,9	2418	2,36	MR 2I 160 - 42 × 350	160 L	4	24,6
	64,6	2130	1,8	MR 2I 140 - 42 × 350	160 L	4	21,7
	62,2	2210	2,8	MR 2I 160 - 42 × 350	160 L	4	22,5
	72,6	1893	1,4	MR 2I 125 - 42 × 350	160 L	4	19,3
	71,3	1930	2,12	MR 2I 140 - 42 × 350	160 L	4	19,6
	67,7	2030	3,35	MR 2I 160 - 42 × 350	160 L	4	20,7
	79,8	1724	2,36	MR 2I 140 - 42 × 350	160 L	4	17,6
	77,4	1776	4	MR 2I 160 - 42 × 350	160 L	4	18,1
	88,4	1555	1,8	MR 2I 125 - 42 × 350	160 L	4	15,8
	93	1479	2,8	MR 2I 140 - 42 × 350	160 L	4	15,1
	95,2	1444	2,65	MR 2I 140 - 42 × 350	160 L	4	14,7
	107	1284	2,12	MR 2I 125 - 42 × 350	160 L	4	13,1
	105	1308	3	MR 2I 140 - 42 × 350	160 L	4	13,3
	118	1169	3,55	MR 2I 140 - 42 × 350	160 L	4	11,9
	130	1054	2,5	MR 2I 125 - 42 × 350	160 L	4	10,7
	137	1003	3,75	MR 2I 140 - 42 × 350	160 L	4	10,2
	169	812	3,35	MR 2I 125 - 42 × 350	160 L	4	8,26
	214	642	3,75	MR 2I 125 - 42 × 350	160 L	4	6,53
18,5	7,2	23060	1,18	MR 3I 250 - 55 × 400	200 LR	6	125
	7,31	22711	1,6	MR 3I 280 - 55 × 400	200 LR	6	123
	7,1	23390	1,9	MR 3I 320 - 55 × 400	200 LR	6	127
	7,1	23390	2,36	MR 3I 321 - 55 × 400	200 LR	6	127
	9,14	18169	1,7	MR 3I 250 - 55 × 400	200 LR	6	98,5
	8,97	18518	2,12	MR 3I 280 - 55 × 400	200 LR	6	100
	10,1	16422	1,9	MR 3I 250 - 55 × 400	200 LR	6	89
	10	16547	2,5	MR 3I 280 - 55 × 400	200 LR	6	89,7
	11,4	14562	1,18	MR 3I 225 - 48 × 350	180 M	4	123
	11,2	14825	1,7	MR 3I 250 - 48 × 350	180 M	4	125
	11,4	14600	2,36	MR 3I 280 - 48 × 350	180 M	4	123
	14	11868	1,18	MR 3I 200 - 48 × 350	180 M	4	100
	14,2	11690	1,7	MR 3I 225 - 48 × 350	180 M	4	98,5
	14,2	11680	2,5	MR 3I 250 - 48 × 350	180 M	4	98,5
	16,2	10255	1,5	MR 3I 200 - 48 × 350	180 M	4	86,4
	15,8	10528	2	MR 3I 225 - 48 × 350	180 M	4	88,8
	15,7	10557	2,8	MR 3I 250 - 48 × 350	180 M	4	89
	16,7	9964	1,4	MR 3I 200 - 48 × 350	180 M	4	84
	16,9	9815	2	MR 3I 225 - 48 × 350	180 M	4	82,7
	16,9	9806	2,8	MR 3I 250 - 48 × 350	180 M	4	82,7
	19,3	8610	1,7	MR 3I 200 - 48 × 350	180 M	4	72,6
	18,8	8839	2,36	MR 3I 225 - 48 × 350	180 M	4	74,5
	21,9	7567	1,25	MR 3I 180 - 48 × 350	180 M	4	63,8
	22,4	7427	1,8	MR 3I 200 - 48 × 350	180 M	4	62,6
	22,7	7316	2,65	MR 3I 225 - 48 × 350	180 M	4	61,7
	25,2	6586	1,12	MR 3I 160 - 48 × 350	180 M	4	55,5
	25,3	6558	1,32	MR 3I 180 - 48 × 350	180 M	4	55,3
25,9	6418	2,24	MR 3I 200 - 48 × 350				

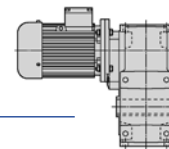


P_1	n_2	M_2	f_s		i	
kW	min ⁻¹	N m				
1)				2)		
18,5	31,5	5269	1,4	MR 3I 160 - 48 × 350 180 M	4 44,4	
	31,7	5247	1,9	MR 3I 180 - 48 × 350 180 M	4 44,2	
	30,8	5388	2,65	MR 3I 200 - 48 × 350 180 M	4 45,4	
	36,4	4566	1,7	MR 3I 160 - 48 × 350 180 M	4 38,5	
	35,1	4737	2	MR 3I 180 - 48 × 350 180 M	4 39,9	
	33,7	4928	3	MR 3I 200 - 48 × 350 180 M	4 41,5	
	38,4	4328	1,7	MR 3I 160 - 48 × 350 180 M	4 36,5	
	38,5	4310	2,36	MR 3I 180 - 48 × 350 180 M	4 36,3	
	44,3	3751	2	MR 3I 160 - 48 × 350 180 M	4 31,6	
	42,7	3891	2,65	MR 3I 180 - 48 × 350 180 M	4 32,8	
	49,3	3367	2	MR 3I 160 - 48 × 350 180 M	4 28,4	
	49	3392	2,24	MR 3I 180 - 48 × 350 180 M	4 28,6	
	58,1	2919	0,9	MR 2I 125 - 48 × 350 180 M	4 24,1	
	58,1	2919	1,18	MR 2I 140 - 48 × 350 180 M	4 24,1	
	56,9	2982	1,9	MR 2I 160 - 48 × 350 180 M	4 24,6	
	55,2	3072	2,65	MR 2I 180 - 48 × 350 180 M	4 25,4	
	64,6	2627	1,4	MR 2I 140 - 48 × 350 180 M	4 21,7	
	62,2	2726	2,36	MR 2I 160 - 48 × 350 180 M	4 22,5	
	60	2827	3,15	MR 2I 180 - 48 × 350 180 M	4 23,3	
	72,6	2335	1,18	MR 2I 125 - 48 × 350 180 M	4 19,3	
	71,3	2380	1,7	MR 2I 140 - 48 × 350 180 M	4 19,6	
	67,7	2504	2,65	MR 2I 160 - 48 × 350 180 M	4 20,7	
	79,8	2126	1,9	MR 2I 140 - 48 × 350 180 M	4 17,6	
	77,4	2190	3,35	MR 2I 160 - 48 × 350 180 M	4 18,1	
88,4	1918	1,4	MR 2I 125 - 48 × 350 180 M	4 15,8		
93	1824	2,24	MR 2I 140 - 48 × 350 180 M	4 15,1		
89,4	1898	3,55	MR 2I 160 - 48 × 350 180 M	4 15,7		
95,2	1781	2,24	MR 2I 140 - 48 × 350 180 M	4 14,7		
99,6	1704	3,55	MR 2I 160 - 48 × 350 180 M	4 14,1		
107	1583	1,7	MR 2I 125 - 48 × 350 180 M	4 13,1		
105	1613	2,5	MR 2I 140 - 48 × 350 180 M	4 13,3		
103	1645	4	MR 2I 160 - 48 × 350 180 M	4 13,6		
118	1442	2,8	MR 2I 140 - 48 × 350 180 M	4 11,9		
118	1439	5	MR 2I 160 - 48 × 350 180 M	4 11,9		
130	1300	2	MR 2I 125 - 48 × 350 180 M	4 10,7		
137	1237	3,15	MR 2I 140 - 48 × 350 180 M	4 10,2		
136	1247	5,6	MR 2I 160 - 48 × 350 180 M	4 10,3		
169	1001	2,65	MR 2I 125 - 48 × 350 180 M	4 8,26		
214	792	3	MR 2I 125 - 48 × 350 180 M	4 6,53		
22	7,31	27008	1,32	MR 3I 280 - 55 × 400 200 L	6 123	
	7,1	27815	1,6	MR 3I 320 - 55 × 400 200 L	6 127	
	7,1	27815	2	MR 3I 321 - 55 × 400 200 L	6 127	
	6,89	28653	2,65	MR 3I 360 - 55 × 400 200 L	6 131	
	9,14	21606	1,4	MR 3I 250 - 55 × 400 200 L	6 98,5	
	8,97	22022	1,8	MR 3I 280 - 55 × 400 200 L	6 100	
	8,6	22976	2,24	MR 3I 320 - 55 × 400 200 L	6 105	
	10,1	19529	1,6	MR 3I 250 - 55 × 400 200 L	6 89	
	10	19677	2,12	MR 3I 280 - 55 × 400 200 L	6 89,7	
	9,99	19775	2,5	MR 3I 320 - 55 × 400 200 L	6 90,1	
	11,4	17317	1	MR 3I 225 - 48 × 350 180 L	4 123	
	11,2	17629	1,4	MR 3I 250 - 48 × 350 180 L	4 125	
	11,4	17362	1,9	MR 3I 280 - 48 × 350 180 L	4 123	
	14	14113	1	MR 3I 200 - 48 × 350 180 L	4 100	
	14,2	13902	1,5	MR 3I 225 - 48 × 350 180 L	4 98,5	
	14,2	13890	2	MR 3I 250 - 48 × 350 180 L	4 98,5	
	14	14157	2,65	MR 3I 280 - 48 × 350 180 L	4 100	
	16,2	12195	1,25	MR 3I 200 - 48 × 350 180 L	4 86,4	
	15,8	12520	1,7	MR 3I 225 - 48 × 350 180 L	4 88,8	
	15,7	12554	2,36	MR 3I 250 - 48 × 350 180 L	4 89	
	16,7	11849	1,18	MR 3I 200 - 48 × 350 180 L	4 84	
	16,9	11672	1,7	MR 3I 225 - 48 × 350 180 L	4 82,7	
	16,9	11662	2,36	MR 3I 250 - 48 × 350 180 L	4 82,7	
	19,3	10239	1,4	MR 3I 200 - 48 × 350 180 L	4 72,6	
	18,8	10512	2	MR 3I 225 - 48 × 350 180 L	4 74,5	
	18,7	10540	2,65	MR 3I 250 - 48 × 350 180 L	4 74,7	
	22	21,9	8999	1,06	MR 3I 180 - 48 × 350 180 L	4 63,8
		22,4	8832	1,6	MR 3I 200 - 48 × 350 180 L	4 62,6
		22,7	8700	2,24	MR 3I 225 - 48 × 350 180 L	4 61,7
		25,3	7799	1,12	MR 3I 180 - 48 × 350 180 L	4 55,3
		25,9	7632	1,9	MR 3I 200 - 48 × 350 180 L	4 54,1
		25,2	7835	2,65	MR 3I 225 - 48 × 350 180 L	4 55,5
27,6		7164	0,95	MR 3I 160 - 48 × 350 180 L	4 50,8	
27,4		7199	1,32	MR 3I 180 - 48 × 350 180 L	4 51	
26,6		7416	1,8	MR 3I 200 - 48 × 350 180 L	4 52,6	
27		7304	2,65	MR 3I 225 - 48 × 350 180 L	4 51,8	
31,5		6266	1,18	MR 3I 160 - 48 × 350 180 L	4 44,4	
31,7		6239	1,6	MR 3I 180 - 48 × 350 180 L	4 44,2	
30,8		6407	2,24	MR 3I 200 - 48 × 350 180 L	4 45,4	
36,4		5430	1,4	MR 3I 160 - 48 × 350 180 L	4 38,5	
36,6		5516	1,06	MR 2I 160 - 55 × 400 200 L	6 24,6	
35,1		5633	1,7	MR 3I 180 - 48 × 350 180 L	4 39,9	
35,5		5683	1,5	MR 2I 180 - 55 × 400 200 L	6 25,4	
33,7		5861	2,5	MR 3I 200 - 48 × 350 180 L	4 41,5	
37,1		5432	2,12	MR 2I 200 - 55 × 400 200 L	6 24,2	
38,4		5147	1,4	MR 3I 160 - 48 × 350 180 L	4 36,5	
40		5042	1,32	MR 2I 160 - 55 × 400 200 L	6 22,5	
38,5		5125	2	MR 3I 180 - 48 × 350 180 L	4 36,3	
38,6		5229	1,7	MR 2I 180 - 55 × 400 200 L	6 23,3	
40,7		4857	3	MR 3I 200 - 48 × 350 180 L	4 34,4	
40,6		4965	2,5	MR 2I 200 - 55 × 400 200 L	6 22,2	
44,3		4461	1,7	MR 3I 160 - 48 × 350 180 L	4 31,6	
43,5		4632	1,5	MR 2I 160 - 55 × 400 200 L	6 20,7	
42,7		4627	2,24	MR 3I 180 - 48 × 350 180 L	4 32,8	
43,3		4655	2	MR 2I 180 - 55 × 400 200 L	6 20,8	
44,5		4443	3,35	MR 3I 200 - 48 × 350 180 L	4 31,5	
44,2		4560	3	MR 2I 200 - 55 × 400 200 L	6 20,3	
49,3		4004	1,7	MR 3I 160 - 48 × 350 180 L	4 28,4	
49,8	4051	1,8	MR 2I 160 - 55 × 400 200 L	6 18,1		
49	4034	1,8	MR 3I 180 - 48 × 350 180 L	4 28,6		
50	4034	2	MR 2I 180 - 55 × 400 200 L	6 18		
51,4	3840	4	MR 3I 200 - 48 × 350 180 L	4 27,2		
58,1	3471	1	MR 2I 140 - 48 × 350 180 L	4 24,1		
56,9	3546	1,6	MR 2I 160 - 48 × 350 180 L	4 24,6		
57,4	3511	2	MR 2I 160 - 55 × 400 200 L	6 15,7		
55,2	3653	2,24	MR 2I 180 - 48 × 350 180 L	4 25,4		
64,6	3124	1,18	MR 2I 140 - 48 × 350 180 L	4 21,7		
62,2	3242	2	MR 2I 160 - 48 × 350 180 L	4 22,5		
60	3362	2,65	MR 2I 180 - 48 × 350 180 L	4 23,3		
72,6	2777	1	MR 2I 125 - 48 × 350 180 L	4 19,3		
71,3	2830	1,4	MR 2I 140 - 48 × 350 180 L	4 19,6		
67,7	2977	2,24	MR 2I 160 - 48 × 350 180 L	4 20,7		
79,8	2529	1,6	MR 2I 140 - 48 × 350 180 L	4 17,6		
77,4	2604	2,8	MR 2I 160 - 48 × 350 180 L	4 18,1		
88,4	2281	1,18	MR 2I 125 - 48 × 350 180 L	4 15,8		
93	2169	1,9	MR 2I 140 - 48 × 350 180 L	4 15,1		
89,4	2257	3	MR 2I 160 - 48 × 350 180 L	4 15,7		
95,2	2118	1,9	MR 2I 140 - 48 × 350 180 L	4 14,7		
99,6	2026	3	MR 2I 160 - 48 × 350 180 L	4 14,1		
107	1882	1,4	MR 2I 125 - 48 × 350 180 L	4 13,1		
105	1919	2	MR 2I 140 - 48 × 350 180 L	4 13,3		
103	1957	3,35	MR 2I 160 - 48 × 350 180 L	4 13,6		
118	1714	2,36	MR 2I 140 - 48 × 350 180 L	4 11,9		
118	1711	4,25	MR 2I 160 - 48 × 350 180 L	4 11,9		
130	1546	1,7	MR 2I 125 - 48 × 350 180 L	4 10,7		
137	1471	2,65	MR 2I 140 - 48 × 350 180 L	4 10,2		
136	1483	4,75	MR 2I 160 - 48 × 350 180 L	4 10,3		
152	1329	2,65	MR 2I 140 - 48 × 350 180 L	4 9,22		
151	1331	4,75	MR 2I 160 - 48 × 350 180 L	4 9,24		
169	1190	2,24	MR 2I 125 - 48 × 350 180 L	4 8,26		
214	941	2,5	MR 2I 125 - 48 × 350 180 L	4 6,53		

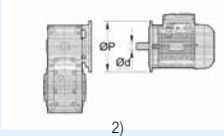
1) Powers valid for continuous duty S1; **increase possible** for duty cycles S2 ... S10 (see ch. 1 «General specifications»); in which case M_2 increases and f_s decreases.

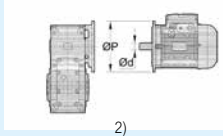
2) For complete designation when ordering see ch. 2.

Helical gearmotor selection tables



11

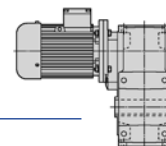
P_1 kW	n_2 min ⁻¹	M_2 N m	f_s		i
1)				2)	
30	7,1	37930	1,18	MR 3I 320 - 60 × 450 225 M	6 127
	7,1	37930	1,5	MR 3I 321 - 60 × 450 225 M	6 127
	6,89	39072	1,9	MR 3I 360 - 60 × 450 225 M	6 131
	9,14	29463	1,06	MR 3I 250 - 60 × 450 225 M	6 98,5
	8,97	30030	1,32	MR 3I 280 - 60 × 450 225 M	6 100
	8,6	31331	1,7	MR 3I 320 - 60 × 450 225 M	6 105
	8,6	31331	2,12	MR 3I 321 - 60 × 450 225 M	6 105
	8,74	30818	2,8	MR 3I 360 - 60 × 450 225 M	6 103
	10,1	26630	1,18	MR 3I 250 - 60 × 450 225 M	6 89
	10	26832	1,6	MR 3I 280 - 60 × 450 225 M	6 89,7
	9,99	26966	1,8	MR 3I 320 - 60 × 450 225 M	6 90,1
	9,99	26966	2,24	MR 3I 321 - 60 × 450 225 M	6 90,1
	9,71	27736	3	MR 3I 360 - 60 × 450 225 M	6 92,7
	11,2	24040	1,06	MR 3I 250 - 55 × 400 200 L	4 125
	10,9	24737	1,18	MR 3I 250 - 60 × 450 225 M	6 82,7
	11,4	23676	1,4	MR 3I 280 - 55 × 400 200 L	4 123
	11	24383	1,7	MR 3I 320 - 55 × 400 200 L	4 127
	11	24383	2,12	MR 3I 321 - 55 × 400 200 L	4 127
	10,9	24685	2,12	MR 3I 320 - 60 × 450 225 M	6 82,5
	10,9	24685	2,65	MR 3I 321 - 60 × 450 225 M	6 82,5
	10,7	25118	3	MR 3I 360 - 55 × 400 200 L	4 131
	14,6	18455	1,06	MR 3I 225 - 60 × 450 225 M	6 61,7
	14,2	18940	1,5	MR 3I 250 - 55 × 400 200 L	4 98,5
	14	19305	1,9	MR 3I 280 - 55 × 400 200 L	4 100
	13,4	20142	2,5	MR 3I 320 - 55 × 400 200 L	4 105
	16,2	16620	1,25	MR 3I 225 - 60 × 450 225 M	6 55,5
	15,7	17119	1,7	MR 3I 250 - 55 × 400 200 L	4 89
	15,6	17249	2,36	MR 3I 280 - 55 × 400 200 L	4 89,7
	18,2	14778	1,12	MR 3I 225 - 55 × 400 200 L	4 76,8
	16,9	15902	1,7	MR 3I 250 - 55 × 400 200 L	4 82,7
	16,6	16208	2,24	MR 3I 280 - 55 × 400 200 L	4 84,3
	19,8	13592	1,06	MR 3I 200 - 60 × 450 225 M	6 45,4
	19,3	13954	1,5	MR 3I 225 - 60 × 450 225 M	6 46,6
	18,7	14373	2	MR 3I 250 - 55 × 400 200 L	4 74,7
	18,6	14482	2,8	MR 3I 280 - 55 × 400 200 L	4 75,3
	22,4	12044	1,12	MR 3I 200 - 55 × 400 200 L	4 62,6
	22,7	11864	1,6	MR 3I 225 - 55 × 400 200 L	4 61,7
	22,8	11838	2,36	MR 3I 250 - 55 × 400 200 L	4 61,5
	25,9	10407	1,4	MR 3I 200 - 55 × 400 200 L	4 54,1
	25,2	10684	1,9	MR 3I 225 - 55 × 400 200 L	4 55,5
	25,2	10700	2,65	MR 3I 250 - 55 × 400 200 L	4 55,6
	27,4	9817	0,95	MR 3I 180 - 48 × 350 200 L	* 4 51
	26,6	10112	1,32	MR 3I 200 - 55 × 400 200 L	4 52,6
	27	9961	2	MR 3I 225 - 55 × 400 200 L	4 51,8
	27,1	9939	2,8	MR 3I 250 - 55 × 400 200 L	4 51,7
	31,7	8508	1,18	MR 3I 180 - 48 × 350 200 L	* 4 44,2
	30,8	8737	1,7	MR 3I 200 - 55 × 400 200 L	4 45,4
	30	8970	2,24	MR 3I 225 - 55 × 400 200 L	4 46,6
	35,1	7681	1,25	MR 3I 180 - 48 × 350 200 L	* 4 39,9
	33,7	7992	1,9	MR 3I 200 - 55 × 400 200 L	4 41,5
	34,7	7771	2,65	MR 3I 225 - 55 × 400 200 L	4 40,4
	38,5	6989	1,4	MR 3I 180 - 48 × 350 200 L	* 4 36,3
	40,7	6624	2,12	MR 3I 200 - 55 × 400 200 L	4 34,4
	39,6	6800	3	MR 3I 225 - 55 × 400 200 L	4 35,4
	42,7	6309	1,7	MR 3I 180 - 48 × 350 200 L	* 4 32,8
	44,5	6058	2,5	MR 3I 200 - 55 × 400 200 L	4 31,5
	45,7	5891	3,55	MR 3I 225 - 55 × 400 200 L	4 30,6
	49	5500	1,32	MR 3I 180 - 48 × 350 200 L	* 4 28,6
	51,4	5236	2,8	MR 3I 200 - 55 × 400 200 L	4 27,2
	56,9	4836	1,18	MR 2I 160 - 55 × 400 200 L	4 24,6
	55,2	4982	1,6	MR 2I 180 - 55 × 400 200 L	4 25,4
	57,8	4761	2,36	MR 2I 200 - 55 × 400 200 L	4 24,2
	62,2	4420	1,4	MR 2I 160 - 55 × 400 200 L	4 22,5
60	4584	2	MR 2I 180 - 55 × 400 200 L	4 23,3	
63,2	4352	2,8	MR 2I 200 - 55 × 400 200 L	4 22,2	

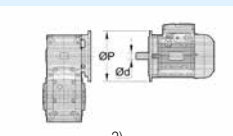
P_1 kW	n_2 min ⁻¹	M_2 N m	f_s		i	
1)				2)		
30	67,7	4060	1,6	MR 2I 160 - 55 × 400 200 L	4 20,7	
	67,4	4080	2,24	MR 2I 180 - 55 × 400 200 L	4 20,8	
	68,8	3998	3,35	MR 2I 200 - 55 × 400 200 L	4 20,3	
	77,4	3551	2	MR 2I 160 - 55 × 400 200 L	4 18,1	
	77,8	3536	2,24	MR 2I 180 - 55 × 400 200 L	4 18	
	89,4	3078	2,24	MR 2I 160 - 55 × 400 200 L	4 15,7	
	86,2	3192	2,24	MR 2I 180 - 55 × 400 200 L	4 16,3	
	95,2	2888	1,32	MR 2I 140 - 48 × 350 200 L	* 4 14,7	
	99,6	2763	2,24	MR 2I 160 - 55 × 400 200 L	4 14,1	
	97,2	2829	3	MR 2I 180 - 55 × 400 200 L	4 14,4	
	105	2616	1,5	MR 2I 140 - 48 × 350 200 L	* 4 13,3	
	103	2668	2,5	MR 2I 160 - 55 × 400 200 L	4 13,6	
	103	2681	3,35	MR 2I 180 - 55 × 400 200 L	4 13,6	
	118	2338	1,7	MR 2I 140 - 48 × 350 200 L	* 4 11,9	
	118	2334	3	MR 2I 160 - 55 × 400 200 L	4 11,9	
	118	2324	3,75	MR 2I 180 - 55 × 400 200 L	4 11,8	
	137	2006	1,9	MR 2I 140 - 48 × 350 200 L	* 4 10,2	
	136	2023	3,55	MR 2I 160 - 55 × 400 200 L	4 10,3	
	131	2098	3,75	MR 2I 180 - 55 × 400 200 L	4 10,7	
	152	1812	1,9	MR 2I 140 - 48 × 350 200 L	* 4 9,22	
	151	1815	3,55	MR 2I 160 - 55 × 400 200 L	4 9,24	
	150	1829	3,75	MR 2I 180 - 55 × 400 200 L	4 9,31	
	174	1578	3,75	MR 2I 160 - 55 × 400 200 L	4 8,03	
	218	1260	3,75	MR 2I 160 - 55 × 400 200 L	4 6,41	
	37	7,1	46780	1,18	MR 3I 321 - 65 × 550 250 M	6 127
		6,89	48189	1,6	MR 3I 360 - 65 × 550 250 M	6 131
		8,6	38642	1,4	MR 3I 320 - 65 × 550 250 M	6 105
		8,6	38642	1,7	MR 3I 321 - 65 × 550 250 M	6 105
		8,74	38009	2,24	MR 3I 360 - 65 × 550 250 M	6 103
		9,99	33257	1,5	MR 3I 320 - 65 × 550 250 M	6 90,1
		9,99	33257	1,9	MR 3I 321 - 65 × 550 250 M	6 90,1
		9,71	34208	2,36	MR 3I 360 - 65 × 550 250 M	6 92,7
		11,4	29200	1,18	MR 3I 280 - 60 × 450 225 S	4 123
		11	30073	1,4	MR 3I 320 - 60 × 450 225 S	4 127
		11	30073	1,7	MR 3I 321 - 60 × 450 225 S	4 127
		10,9	30445	1,7	MR 3I 320 - 65 × 550 250 M	6 82,5
		10,9	30445	2,12	MR 3I 321 - 65 × 550 250 M	6 82,5
		10,7	30979	2,36	MR 3I 360 - 60 × 450 225 S	4 131
		14,2	23360	1,18	MR 3I 250 - 60 × 450 225 S	4 98,5
		14	23809	1,5	MR 3I 280 - 60 × 450 225 S	4 100
		13,4	24841	2	MR 3I 320 - 60 × 450 225 S	4 105
		13,4	24841	2,5	MR 3I 321 - 60 × 450 225 S	4 105
		15,7	21114	1,4	MR 3I 250 - 60 × 450 225 S	4 89
		15,6	21274	1,9	MR 3I 280 - 60 × 450 225 S	4 89,7
15,5		21380	2,12	MR 3I 320 - 60 × 450 225 S	4 90,1	
16,9		19613	1,4	MR 3I 250 - 60 × 450 225 S	4 82,7	
16,6		19990	1,8	MR 3I 280 - 60 × 450 225 S	4 84,3	
17		19572	2,5	MR 3I 320 - 60 × 450 225 S	4 82,5	
18,7		17727	1,6	MR 3I 250 - 60 × 450 225 S	4 74,7	
18,6		17861	2,24	MR 3I 280 - 60 × 450 225 S	4 75,3	
22,4		14855	0,9	MR 3I 200 - 60 × 450 225 S	4 62,6	
22,7		14632	1,32	MR 3I 225 - 60 × 450 225 S	4 61,7	
22,8	14600	1,9	MR 3I 250 - 60 × 450 225 S	4 61,5		
22,3	14881	2,36	MR 3I 280 - 60 × 450 225 S	4 62,7		
25,9	12835	1,12	MR 3I 200 - 60 × 450 225 S	4 54,1		
25,2	13177	1,6	MR 3I 225 - 60 × 450 225 S	4 55,5		
25,2	13196	2,12	MR 3I 250 - 60 × 450 225 S	4 55,6		
25	13296	3	MR 3I 280 - 60 × 450 225 S	4 56		
26,6	12472	1,12	MR 3I 200 - 60 × 450 225 S	4 52,6		
27	12285	1,6	MR 3I 225 - 60 × 450 225 S	4 51,8		
27,1	12258	2,24	MR 3I 250 - 60 × 450 225 S	4 51,7		
26,6	12494	2,8	MR 3I 280 - 60 × 450 225 S	4 52,7		

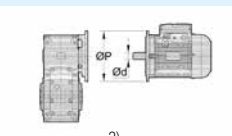
1) Powers valid for continuous duty S1; **increase possible** for duty cycles S2 ... S10 (see ch. 1 «General specifications»); in which case M_2 increases and f_s decreases.

2) For complete designation when ordering see ch. 2.

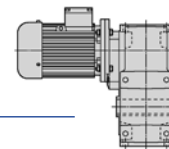
* Mounting position **B5R** (see ch. 1.2).

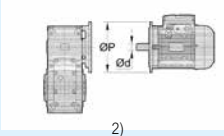


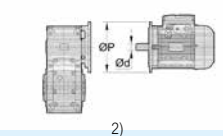
P_1 kW	n_2 min ⁻¹	M_2 N m	f_s		i
1)				2)	
37	30,8	10776	1,32	MR 3I 200 - 60 × 450 225 S	4 45,4
	30	11064	1,8	MR 3I 225 - 60 × 450 225 S	4 46,6
	30	11079	2,5	MR 3I 250 - 60 × 450 225 S	4 46,7
	33,7	9857	1,5	MR 3I 200 - 60 × 450 225 S	4 41,5
	34,7	9584	2,12	MR 3I 225 - 60 × 450 225 S	4 40,4
	33	10069	2,8	MR 3I 250 - 60 × 450 225 S	4 42,4
	40,7	8169	1,8	MR 3I 200 - 60 × 450 225 S	4 34,4
	39,6	8387	2,36	MR 3I 225 - 60 × 450 225 S	4 35,4
	44,5	7472	2	MR 3I 200 - 60 × 450 225 S	4 31,5
	45,7	7266	2,8	MR 3I 225 - 60 × 450 225 S	4 30,6
	51,4	6458	2,36	MR 3I 200 - 60 × 450 225 S	4 27,2
	51,3	6481	2,8	MR 3I 225 - 60 × 450 225 S	4 27,3
	56,9	5964	0,95	MR 2I 160 - 60 × 450 225 S	4 24,6
	55,2	6144	1,32	MR 2I 180 - 60 × 450 225 S	4 25,4
	57,8	5872	1,9	MR 2I 200 - 60 × 450 225 S	4 24,2
	56,1	6049	2,65	MR 2I 225 - 60 × 450 225 S	4 25
	62,2	5452	1,18	MR 2I 160 - 60 × 450 225 S	4 22,5
	60	5654	1,6	MR 2I 180 - 60 × 450 225 S	4 23,3
	63,2	5368	2,24	MR 2I 200 - 60 × 450 225 S	4 22,2
	67,7	5007	1,32	MR 2I 160 - 60 × 450 225 S	4 20,7
	67,4	5032	1,8	MR 2I 180 - 60 × 450 225 S	4 20,8
	68,8	4930	2,65	MR 2I 200 - 60 × 450 225 S	4 20,3
	77,4	4380	1,6	MR 2I 160 - 60 × 450 225 S	4 18,1
	77,8	4361	1,8	MR 2I 180 - 60 × 450 225 S	4 18
	79,6	4260	3,35	MR 2I 200 - 60 × 450 225 S	4 17,6
	89,4	3796	1,8	MR 2I 160 - 60 × 450 225 S	4 15,7
	84,3	4026	2,24	MR 2I 180 - 60 × 450 225 S	4 16,6
	87,1	3897	3,75	MR 2I 200 - 60 × 450 225 S	4 16,1
	99,6	3407	1,8	MR 2I 160 - 60 × 450 225 S	4 14,1
	97,2	3489	2,5	MR 2I 180 - 60 × 450 225 S	4 14,4
	103	3291	2	MR 2I 160 - 60 × 450 225 S	4 13,6
	103	3307	2,65	MR 2I 180 - 60 × 450 225 S	4 13,6
	118	2878	2,5	MR 2I 160 - 60 × 450 225 S	4 11,9
	118	2866	3	MR 2I 180 - 60 × 450 225 S	4 11,8
	136	2495	2,8	MR 2I 160 - 60 × 450 225 S	4 10,3
	131	2587	3,15	MR 2I 180 - 60 × 450 225 S	4 10,7
	151	2239	2,8	MR 2I 160 - 60 × 450 225 S	4 9,24
174	1946	3,15	MR 2I 160 - 60 × 450 225 S	4 8,03	
218	1554	3,15	MR 2I 160 - 60 × 450 225 S	4 6,41	
45	6,89	58609	1,25	MR 3I 360 - 75 × 550 280 S	6 131
	8,6	46997	1,12	MR 3I 320 - 75 × 550 280 S	6 105
	8,6	46997	1,4	MR 3I 321 - 75 × 550 280 S	6 105
	8,74	46227	1,9	MR 3I 360 - 75 × 550 280 S	6 103
	9,99	40448	1,25	MR 3I 320 - 75 × 550 280 S	6 90,1
	9,99	40448	1,5	MR 3I 321 - 75 × 550 280 S	6 90,1
	9,71	41604	2	MR 3I 360 - 75 × 550 280 S	6 92,7
	11,4	35513	0,95	MR 3I 280 - 60 × 450 225 M	4 123
	11	36575	1,12	MR 3I 320 - 60 × 450 225 M	4 127
	11	36575	1,4	MR 3I 321 - 60 × 450 225 M	4 127
	10,9	37028	1,4	MR 3I 320 - 75 × 550 280 S	6 82,5
	10,9	37028	1,7	MR 3I 321 - 75 × 550 280 S	6 82,5
	10,7	37677	2	MR 3I 360 - 60 × 450 225 M	4 131
	11,1	36421	2,24	MR 3I 360 - 75 × 550 280 S	6 81,1
	14,2	28411	1	MR 3I 250 - 60 × 450 225 M	4 98,5
	14	28957	1,25	MR 3I 280 - 60 × 450 225 M	4 100
	13,4	30212	1,6	MR 3I 320 - 60 × 450 225 M	4 105
	13,4	30212	2	MR 3I 321 - 60 × 450 225 M	4 105
	13,6	29717	2,65	MR 3I 360 - 60 × 450 225 M	4 103
	15,7	25679	1,12	MR 3I 250 - 60 × 450 225 M	4 89
	15,6	25874	1,6	MR 3I 280 - 60 × 450 225 M	4 89,7
	15,5	26002	1,8	MR 3I 320 - 60 × 450 225 M	4 90,1
	15,5	26002	2,24	MR 3I 321 - 60 × 450 225 M	4 90,1

P_1 kW	n_2 min ⁻¹	M_2 N m	f_s		i
1)				2)	
45	16,9	23853	1,18	MR 3I 250 - 60 × 450 225 M	4 82,7
	16,6	24312	1,5	MR 3I 280 - 60 × 450 225 M	4 84,3
	17	23804	2	MR 3I 320 - 60 × 450 225 M	4 82,5
	17	23804	2,5	MR 3I 321 - 60 × 450 225 M	4 82,5
	18,7	21560	1,32	MR 3I 250 - 60 × 450 225 M	4 74,7
	18,6	21723	1,9	MR 3I 280 - 60 × 450 225 M	4 75,3
	19,7	20487	2,24	MR 3I 320 - 60 × 450 225 M	4 71
	22,7	17796	1,12	MR 3I 225 - 60 × 450 225 M	4 61,7
	22,8	17757	1,5	MR 3I 250 - 60 × 450 225 M	4 61,5
	22,3	18098	2	MR 3I 280 - 60 × 450 225 M	4 62,7
	25,2	16027	1,32	MR 3I 225 - 60 × 450 225 M	4 55,5
	25,2	16049	1,7	MR 3I 250 - 60 × 450 225 M	4 55,6
	25	16171	2,5	MR 3I 280 - 60 × 450 225 M	4 56
	27	14941	1,32	MR 3I 225 - 60 × 450 225 M	4 51,8
	27,1	14908	1,8	MR 3I 250 - 60 × 450 225 M	4 51,7
	26,6	15195	2,36	MR 3I 280 - 60 × 450 225 M	4 52,7
	30,8	13106	1,12	MR 3I 200 - 60 × 450 225 M	4 45,4
	30	13456	1,5	MR 3I 225 - 60 × 450 225 M	4 46,6
	30	13475	2,12	MR 3I 250 - 60 × 450 225 M	4 46,7
	29,8	13577	3	MR 3I 280 - 60 × 450 225 M	4 47,1
	33,7	11988	1,25	MR 3I 200 - 60 × 450 225 M	4 41,5
	34,7	11657	1,8	MR 3I 225 - 60 × 450 225 M	4 40,4
	33	12246	2,36	MR 3I 250 - 60 × 450 225 M	4 42,4
	40,7	9935	1,4	MR 3I 200 - 60 × 450 225 M	4 34,4
	39,6	10200	2	MR 3I 225 - 60 × 450 225 M	4 35,4
	37,9	10649	2,65	MR 3I 250 - 60 × 450 225 M	4 36,9
	44,5	9087	1,6	MR 3I 200 - 60 × 450 225 M	4 31,5
	45,7	8837	2,36	MR 3I 225 - 60 × 450 225 M	4 30,6
	41,7	9678	3	MR 3I 250 - 60 × 450 225 M	4 33,5
	51,4	7855	1,9	MR 3I 200 - 60 × 450 225 M	4 27,2
	51,3	7882	2,36	MR 3I 225 - 60 × 450 225 M	4 27,3
	48,8	8284	3,35	MR 3I 250 - 60 × 450 225 M	4 28,7
	55,2	7472	1,12	MR 2I 180 - 60 × 450 225 M	4 25,4
	57,8	7142	1,6	MR 2I 200 - 60 × 450 225 M	4 24,2
	56,1	7357	2,24	MR 2I 225 - 60 × 450 225 M	4 25
	62,2	6630	0,95	MR 2I 160 - 60 × 450 225 M	4 22,5
	60	6876	1,32	MR 2I 180 - 60 × 450 225 M	4 23,3
	63,2	6528	1,9	MR 2I 200 - 60 × 450 225 M	4 22,2
	60,9	6770	2,65	MR 2I 225 - 60 × 450 225 M	4 23
	67,7	6090	1,12	MR 2I 160 - 60 × 450 225 M	4 20,7
	67,4	6120	1,5	MR 2I 180 - 60 × 450 225 M	4 20,8
	68,8	5996	2,24	MR 2I 200 - 60 × 450 225 M	4 20,3
	69,8	5907	3,15	MR 2I 225 - 60 × 450 225 M	4 20
	77,4	5327	1,32	MR 2I 160 - 60 × 450 225 M	4 18,1
	77,8	5304	1,5	MR 2I 180 - 60 × 450 225 M	4 18
	79,6	5181	2,65	MR 2I 200 - 60 × 450 225 M	4 17,6
	89,4	4617	1,5	MR 2I 160 - 60 × 450 225 M	4 15,7
	84,3	4896	1,8	MR 2I 180 - 60 × 450 225 M	4 16,6
	87,1	4739	3,15	MR 2I 200 - 60 × 450 225 M	4 16,1
	99,6	4144	1,5	MR 2I 160 - 60 × 450 225 M	4 14,1
	97,2	4243	2	MR 2I 180 - 60 × 450 225 M	4 14,4
	101	4096	3,15	MR 2I 200 - 60 × 450 225 M	4 13,9
	103	4002	1,6	MR 2I 160 - 60 × 450 225 M	4 13,6
	103	4022	2,24	MR 2I 180 - 60 × 450 225 M	4 13,6
	108	3817	3,35	MR 2I 200 - 60 × 450 225 M	4 13
	118	3501	2	MR 2I 160 - 60 × 450 225 M	4 11,9
	118	3486	2,5	MR 2I 180 - 60 × 450 225 M	4 11,8
136	3034	2,36	MR 2I 160 - 60 × 450 225 M	4 10,3	
131	3147	2,5	MR 2I 180 - 60 × 450 225 M	4 10,7	
151	2723	2,36	MR 2I 160 - 60 × 450 225 M	4 9,24	
174	2367	2,5	MR 2I 160 - 60 × 450 225 M	4 8,03	
218	1890	2,5	MR 2I 160 - 60 × 450 225 M	4 6,41	

1) Powers valid for continuous duty S1; **increase possible** for duty cycles S2 ... S10 (see ch. 1 «General specifications»); in which case M_2 increases and f_s decreases.
 2) For complete designation when ordering see ch. 2.



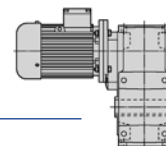
P_1	n_2	M_2	f_s		i
kW	min ⁻¹	N m			
1)				2)	
55	11	44703	0,95	MR 3I 320 - 65 × 550 250 M	4 127
	11	44703	1,18	MR 3I 321 - 65 × 550 250 M	4 127
	10,7	46050	1,6	MR 3I 360 - 65 × 550 250 M	4 131
	13,4	36926	1,32	MR 3I 320 - 65 × 550 250 M	4 105
	13,4	36926	1,7	MR 3I 321 - 65 × 550 250 M	4 105
	13,6	36321	2,24	MR 3I 360 - 65 × 550 250 M	4 103
	15,5	31781	1,5	MR 3I 320 - 65 × 550 250 M	4 90,1
	15,5	31781	1,8	MR 3I 321 - 65 × 550 250 M	4 90,1
	15,1	32689	2,5	MR 3I 360 - 65 × 550 250 M	4 92,7
	18,2	27128	1,18	MR 3I 280 - 65 × 550 250 M	4 76,9
	17	29093	1,6	MR 3I 320 - 65 × 550 250 M	4 82,5
	17	29093	2	MR 3I 321 - 65 × 550 250 M	4 82,5
	17,3	28616	2,8	MR 3I 360 - 65 × 550 250 M	4 81,1
	19,7	25039	1,8	MR 3I 320 - 65 × 550 250 M	4 71
	19,7	25039	2,24	MR 3I 321 - 65 × 550 250 M	4 71
	22,8	21703	1,25	MR 3I 250 - 65 × 550 250 M	4 61,5
	22,3	22120	1,6	MR 3I 280 - 65 × 550 250 M	4 62,7
	20,9	23664	2	MR 3I 320 - 65 × 550 250 M	4 67,1
	20,9	23664	2,5	MR 3I 321 - 65 × 550 250 M	4 67,1
	25,2	19588	1,06	MR 3I 225 - 60 × 450 250 M	* 4 55,5
	25,2	19616	1,4	MR 3I 250 - 65 × 550 250 M	4 55,6
	25	19765	2	MR 3I 280 - 65 × 550 250 M	4 56
	24,2	20367	2,24	MR 3I 320 - 65 × 550 250 M	4 57,8
	27	18261	1,06	MR 3I 225 - 60 × 450 250 M	* 4 51,8
	27,1	18221	1,5	MR 3I 250 - 65 × 550 250 M	4 51,7
	26,6	18572	1,9	MR 3I 280 - 65 × 550 250 M	4 52,7
	26,5	18644	2,5	MR 3I 320 - 65 × 550 250 M	4 52,9
	30	16446	1,25	MR 3I 225 - 60 × 450 250 M	* 4 46,6
	30	16469	1,7	MR 3I 250 - 65 × 550 250 M	4 46,7
	29,8	16594	2,36	MR 3I 280 - 65 × 550 250 M	4 47,1
	34,7	14247	1,4	MR 3I 225 - 60 × 450 250 M	* 4 40,4
	33	14967	1,9	MR 3I 250 - 65 × 550 250 M	4 42,4
	34	14520	2,5	MR 3I 280 - 65 × 550 250 M	4 41,2
	39,6	12467	1,6	MR 3I 225 - 60 × 450 250 M	* 4 35,4
	37,9	13016	2,12	MR 3I 250 - 65 × 550 250 M	4 36,9
	37,6	13115	2,65	MR 3I 280 - 65 × 550 250 M	4 37,2
	45,7	10800	1,9	MR 3I 225 - 60 × 450 250 M	* 4 30,6
	41,7	11829	2,5	MR 3I 250 - 65 × 550 250 M	4 33,5
	43	11475	3,15	MR 3I 280 - 65 × 550 250 M	4 32,5
	51,3	9634	1,9	MR 3I 225 - 60 × 450 250 M	* 4 27,3
48,8	10125	2,65	MR 3I 250 - 65 × 550 250 M	4 28,7	
57,8	8729	1,32	MR 2I 200 - 65 × 550 250 M	4 24,2	
56,1	8992	1,8	MR 2I 225 - 65 × 550 250 M	4 25	
56	9002	2,65	MR 2I 250 - 65 × 550 250 M	4 25	
63,2	7979	1,5	MR 2I 200 - 65 × 550 250 M	4 22,2	
60,9	8275	2,12	MR 2I 225 - 65 × 550 250 M	4 23	
63,7	7920	3	MR 2I 250 - 65 × 550 250 M	4 22	
68,8	7329	1,8	MR 2I 200 - 65 × 550 250 M	4 20,3	
69,8	7219	2,5	MR 2I 225 - 65 × 550 250 M	4 20	
79,6	6333	2,24	MR 2I 200 - 65 × 550 250 M	4 17,6	
77,6	6502	2,65	MR 2I 225 - 65 × 550 250 M	4 18,1	
84,3	5984	1,5	MR 2I 180 - 60 × 450 250 M	* 4 16,6	
87,1	5792	2,5	MR 2I 200 - 65 × 550 250 M	4 16,1	
89,5	5632	3	MR 2I 225 - 65 × 550 250 M	4 15,6	
97,2	5186	1,7	MR 2I 180 - 60 × 450 250 M	* 4 14,4	
101	5007	2,5	MR 2I 200 - 65 × 550 250 M	4 13,9	
95,7	5267	3,35	MR 2I 225 - 65 × 550 250 M	4 14,6	
103	4916	1,8	MR 2I 180 - 60 × 450 250 M	* 4 13,6	
108	4665	2,8	MR 2I 200 - 65 × 550 250 M	4 13	
110	4595	3,75	MR 2I 225 - 65 × 550 250 M	4 12,8	
118	4260	2	MR 2I 180 - 60 × 450 250 M	* 4 11,8	
125	4030	3,35	MR 2I 200 - 65 × 550 250 M	4 11,2	
131	3846	2,12	MR 2I 180 - 60 × 450 250 M	* 4 10,7	
137	3687	3,55	MR 2I 200 - 65 × 550 250 M	4 10,2	

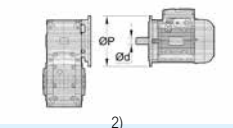
P_1	n_2	M_2	f_s		i
kW	min ⁻¹	N m			
1)				2)	
55	150	3353	2,12	MR 2I 180 - 60 × 450 250 M	* 4 9,31
	158	3186	3,75	MR 2I 200 - 65 × 550 250 M	4 8,85
	175	2884	4,25	MR 2I 200 - 65 × 550 250 M	4 8,01
	218	2311	4,75	MR 2I 200 - 65 × 550 250 M	4 6,42
75	10,7	62795	1,18	MR 3I 360 - 75 × 550 280 S	4 131
	13,4	50354	1	MR 3I 320 - 75 × 550 280 S	4 105
	13,4	50354	1,25	MR 3I 321 - 75 × 550 280 S	4 105,4
	13,6	49529	1,6	MR 3I 360 - 75 × 550 280 S	4 103
	15,5	43337	1,06	MR 3I 320 - 75 × 550 280 S	4 90,1
	15,5	43337	1,32	MR 3I 321 - 75 × 550 280 S	4 90,1
	15,1	44576	1,8	MR 3I 360 - 75 × 550 280 S	4 92,7
	17	39673	1,18	MR 3I 320 - 75 × 550 280 S	4 82,5
	17	39673	1,5	MR 3I 321 - 75 × 550 280 S	4 82,5
	17,3	39022	2	MR 3I 360 - 75 × 550 280 S	4 81,1
	19,7	34145	1,32	MR 3I 320 - 75 × 550 280 S	4 71
	19,7	34145	1,6	MR 3I 321 - 75 × 550 280 S	4 71
	19,2	35120	2,36	MR 3I 360 - 75 × 550 280 S	4 73
	22,8	29595	0,95	MR 3I 250 - 75 × 550 280 S	4 61,5
	22,3	30164	1,18	MR 3I 280 - 75 × 550 280 S	4 62,7
	20,9	32269	1,5	MR 3I 320 - 75 × 550 280 S	4 67,1
	20,9	32269	1,8	MR 3I 321 - 75 × 550 280 S	4 67,1
	21,2	31740	2,5	MR 3I 360 - 75 × 550 280 S	4 66
	25,2	26749	1,06	MR 3I 250 - 75 × 550 280 S	4 55,6
	25	26952	1,5	MR 3I 280 - 75 × 550 280 S	4 56
	24,2	27773	1,6	MR 3I 320 - 75 × 550 280 S	4 57,8
	24,2	27773	2	MR 3I 321 - 75 × 550 280 S	4 57,8
	23,6	28566	2,65	MR 3I 360 - 75 × 550 280 S	4 59,4
	27,1	24847	1,12	MR 3I 250 - 75 × 550 280 S	4 51,7
	26,6	25325	1,4	MR 3I 280 - 75 × 550 280 S	4 52,7
	26,5	25424	1,9	MR 3I 320 - 75 × 550 280 S	4 52,9
	26,5	25424	2,36	MR 3I 321 - 75 × 550 280 S	4 52,9
	26,9	25007	3,15	MR 3I 360 - 75 × 550 280 S	4 52
	30	22458	1,25	MR 3I 250 - 75 × 550 280 S	4 46,7
	29,8	22629	1,8	MR 3I 280 - 75 × 550 280 S	4 47,1
	30,8	21881	2	MR 3I 320 - 75 × 550 280 S	4 45,5
	30,8	21881	2,5	MR 3I 321 - 75 × 550 280 S	4 45,5
	33	20410	1,4	MR 3I 250 - 75 × 550 280 S	4 42,4
	34	19800	1,8	MR 3I 280 - 75 × 550 280 S	4 41,2
	34,4	19589	2,5	MR 3I 320 - 75 × 550 280 S	4 40,7
	37,9	17749	1,6	MR 3I 250 - 75 × 550 280 S	4 36,9
	37,6	17884	2	MR 3I 280 - 75 × 550 280 S	4 37,2
	37,5	17974	2,5	MR 3I 320 - 75 × 550 280 S	4 37,4
	41,7	16131	1,8	MR 3I 250 - 75 × 550 280 S	4 33,5
	43	15648	2,24	MR 3I 280 - 75 × 550 280 S	4 32,5
48,8	13807	2	MR 3I 250 - 75 × 550 280 S	4 28,7	
48,6	13862	2,36	MR 3I 280 - 75 × 550 280 S	4 28,8	
57,8	11904	0,95	MR 2I 200 - 75 × 550 280 S	4 24,2	
56,1	12262	1,32	MR 2I 225 - 75 × 550 280 S	4 25	
56	12276	1,9	MR 2I 250 - 75 × 550 280 S	4 25	
56,9	12090	2,65	MR 2I 280 - 75 × 550 280 S	4 24,6	
63,2	10881	1,12	MR 2I 200 - 75 × 550 280 S	4 22,2	
60,9	11284	1,6	MR 2I 225 - 75 × 550 280 S	4 23	
63,7	10800	2,24	MR 2I 250 - 75 × 550 280 S	4 22	
68,8	9994	1,32	MR 2I 200 - 75 × 550 280 S	4 20,3	
69,8	9844	1,9	MR 2I 225 - 75 × 550 280 S	4 20	
71,1	9672	2,5	MR 2I 250 - 75 × 550 280 S	4 19,7	
79,6	8635	1,6	MR 2I 200 - 75 × 550 280 S	4 17,6	
77,6	8866	2	MR 2I 225 - 75 × 550 280 S	4 18,1	
78,7	8742	2,8	MR 2I 250 - 75 × 550 280 S	4 17,8	
87,1	7899	1,8	MR 2I 200 - 75 × 550 280 S	4 16,1	
89,5	7680	2,12	MR 2I 225 - 75 × 550 280 S	4 15,6	
101	6827	1,9	MR 2I 200 - 75 × 550 280 S	4 13,9	
95,7	7182	2,36	MR 2I 225 - 75 × 550 280 S	4 14,6	

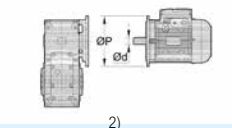
1) Powers valid for continuous duty S1; **increase possible** for duty cycles S2 ... S10 (see ch. 1 «General specifications»); in which case M_2 increases and f_s decreases.

2) For complete designation when ordering see ch. 2.

* Mounting position **B5R** (see ch. 1.2).



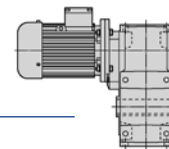
P_1 kW	n_2 min ⁻¹	M_2 N m	f_s		i	
1)				2)		
75	108	6361	2	MR 2I 200 - 75 × 550 280 S	4 13	
	110	6266	2,65	MR 2I 225 - 75 × 550 280 S	4 12,8	
	125	5496	2,5	MR 2I 200 - 75 × 550 280 S	4 11,2	
	122	5643	3	MR 2I 225 - 75 × 550 280 S	4 11,5	
	137	5027	2,65	MR 2I 200 - 75 × 550 280 S	4 10,2	
	141	4888	3,55	MR 2I 225 - 75 × 550 280 S	4 9,95	
	158	4345	2,8	MR 2I 200 - 75 × 550 280 S	4 8,85	
	175	3933	3,15	MR 2I 200 - 75 × 550 280 S	4 8,01	
	218	3151	3,55	MR 2I 200 - 75 × 550 280 S	4 6,42	
	90	13,4	60425	1	MR 3I 321 - 75 × 550 280 M	4 105
		13,6	59434	1,32	MR 3I 360 - 75 × 550 280 M	4 103
		15,5	52005	0,9	MR 3I 320 - 75 × 550 280 M	4 90,1
15,5		52005	1,12	MR 3I 321 - 75 × 550 280 M	4 90,1	
15,1		53491	1,5	MR 3I 360 - 75 × 550 280 M	4 92,7	
17		47607	1	MR 3I 320 - 75 × 550 280 M	4 82,5	
17		47607	1,25	MR 3I 321 - 75 × 550 280 M	4 82,5	
17,3		46827	1,7	MR 3I 360 - 75 × 550 280 M	4 81,1	
19,7		40974	1,12	MR 3I 320 - 75 × 550 280 M	4 71	
19,7		40974	1,4	MR 3I 321 - 75 × 550 280 M	4 71	
19,2		42144	1,9	MR 3I 360 - 75 × 550 280 M	4 73	
22,3		36196	1	MR 3I 280 - 75 × 550 280 M	4 62,7	
20,9		38723	1,25	MR 3I 320 - 75 × 550 280 M	4 67,1	
20,9		38723	1,5	MR 3I 321 - 75 × 550 280 M	4 67,1	
21,2		38088	2	MR 3I 360 - 75 × 550 280 M	4 66	
25		32343	1,25	MR 3I 280 - 75 × 550 280 M	4 56	
24,2		33327	1,32	MR 3I 320 - 75 × 550 280 M	4 57,8	
24,2		33327	1,7	MR 3I 321 - 75 × 550 280 M	4 57,8	
23,6		34279	2,24	MR 3I 360 - 75 × 550 280 M	4 59,4	
27,1		29816	0,9	MR 3I 250 - 75 × 550 280 M	4 51,7	
26,6		30390	1,18	MR 3I 280 - 75 × 550 280 M	4 52,7	
26,5		30509	1,5	MR 3I 320 - 75 × 550 280 M	4 52,9	
26,5		30509	1,9	MR 3I 321 - 75 × 550 280 M	4 52,9	
26,9		30009	2,5	MR 3I 360 - 75 × 550 280 M	4 52	
30		26949	1,06	MR 3I 250 - 75 × 550 280 M	4 46,7	
29,8		27154	1,5	MR 3I 280 - 75 × 550 280 M	4 47,1	
30,8		26258	1,7	MR 3I 320 - 75 × 550 280 M	4 45,5	
30,8		26258	2,12	MR 3I 321 - 75 × 550 280 M	4 45,5	
29,9		27008	2,65	MR 3I 360 - 75 × 550 280 M	4 46,8	
33		24492	1,18	MR 3I 250 - 75 × 550 280 M	4 42,4	
34		23760	1,5	MR 3I 280 - 75 × 550 280 M	4 41,2	
34,4		23507	2,12	MR 3I 320 - 75 × 550 280 M	4 40,7	
34,4		23507	2,65	MR 3I 321 - 75 × 550 280 M	4 40,7	
37,9		21299	1,32	MR 3I 250 - 75 × 550 280 M	4 36,9	
37,6		21461	1,7	MR 3I 280 - 75 × 550 280 M	4 37,2	
37,5		21569	2,12	MR 3I 320 - 75 × 550 280 M	4 37,4	
37,5		21569	2,65	MR 3I 321 - 75 × 550 280 M	4 37,4	
41,7		19357	1,5	MR 3I 250 - 75 × 550 280 M	4 33,5	
43		18778	1,9	MR 3I 280 - 75 × 550 280 M	4 32,5	
41,8		19309	2,65	MR 3I 320 - 75 × 550 280 M	4 33,5	
48,8		16569	1,7	MR 3I 250 - 75 × 550 280 M	4 28,7	
48,6		16634	2	MR 3I 280 - 75 × 550 280 M	4 28,8	
46,6		17332	3	MR 3I 320 - 75 × 550 280 M	4 30	
56,1		14715	1,12	MR 2I 225 - 75 × 550 280 M	4 25	
56		14731	1,6	MR 2I 250 - 75 × 550 280 M	4 25	
56,9		14508	2,12	MR 2I 280 - 75 × 550 280 M	4 24,6	
56		14731	2,65	MR 2I 320 - 75 × 550 280 M	4 25	
63,2		13057	0,95	MR 2I 200 - 75 × 550 280 M	4 22,2	
60,9		13540	1,32	MR 2I 225 - 75 × 550 280 M	4 23	
63,7		12960	1,8	MR 2I 250 - 75 × 550 280 M	4 22	
63,2		13057	2,65	MR 2I 280 - 75 × 550 280 M	4 22,2	
68,8		11993	1,12	MR 2I 200 - 75 × 550 280 M	4 20,3	
69,8	11813	1,6	MR 2I 225 - 75 × 550 280 M	4 20		
71,1	11606	2,12	MR 2I 250 - 75 × 550 280 M	4 19,7		
69,8	11829	2,8	MR 2I 280 - 75 × 550 280 M	4 20,1		

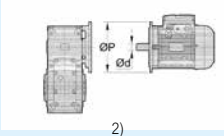
P_1 kW	n_2 min ⁻¹	M_2 N m	f_s		i
1)				2)	
90	79,6	10363	1,32	MR 2I 200 - 75 × 550 280 M	4 17,6
	77,6	10639	1,6	MR 2I 225 - 75 × 550 280 M	4 18,1
	78,7	10490	2,36	MR 2I 250 - 75 × 550 280 M	4 17,8
	87,1	9478	1,5	MR 2I 200 - 75 × 550 280 M	4 16,1
	89,5	9217	1,8	MR 2I 225 - 75 × 550 280 M	4 15,6
	86,5	9534	2,65	MR 2I 250 - 75 × 550 280 M	4 16,2
	101	8193	1,6	MR 2I 200 - 75 × 550 280 M	4 13,9
	95,7	8618	2	MR 2I 225 - 75 × 550 280 M	4 14,6
	95,9	8600	2,65	MR 2I 250 - 75 × 550 280 M	4 14,6
	108	7633	1,7	MR 2I 200 - 75 × 550 280 M	4 13
	110	7519	2,24	MR 2I 225 - 75 × 550 280 M	4 12,8
	107	7701	3,15	MR 2I 250 - 75 × 550 280 M	4 13,1
	125	6595	2,12	MR 2I 200 - 75 × 550 280 M	4 11,2
	122	6771	2,5	MR 2I 225 - 75 × 550 280 M	4 11,5
	119	6961	3,55	MR 2I 250 - 75 × 550 280 M	4 11,8
	137	6033	2,24	MR 2I 200 - 75 × 550 280 M	4 10,2
	141	5866	3	MR 2I 225 - 75 × 550 280 M	4 9,95
	130	6326	4	MR 2I 250 - 75 × 550 280 M	4 10,7
	158	5214	2,36	MR 2I 200 - 75 × 550 280 M	4 8,85
	175	4719	2,65	MR 2I 200 - 75 × 550 280 M	4 8,01
	218	3781	3	MR 2I 200 - 75 × 550 280 M	4 6,42
110	16,7	59021	1,18	MR 3I 360 - 80 × 660 315 S	4 83,7
	20,9	47328	1	MR 3I 320 - 80 × 660 315 S	4 67,1
	20,9	47328	1,25	MR 3I 321 - 80 × 660 315 S	4 67,1
	21,2	46552	1,7	MR 3I 360 - 80 × 660 315 S	4 66
	25	39530	1	MR 3I 280 - 75 × 550 315 S	* 4 56
	24,2	40733	1,12	MR 3I 320 - 80 × 660 315 S	4 57,8
	24,2	40733	1,4	MR 3I 321 - 80 × 660 315 S	4 57,8
	23,6	41897	1,8	MR 3I 360 - 80 × 660 315 S	4 59,4
	26,6	37143	0,95	MR 3I 280 - 75 × 550 315 S	* 4 52,7
	26,5	37289	1,25	MR 3I 320 - 80 × 660 315 S	4 52,9
	26,5	37289	1,6	MR 3I 321 - 80 × 660 315 S	4 52,9
	26,9	36677	2,12	MR 3I 360 - 80 × 660 315 S	4 52
	29,8	33189	1,18	MR 3I 280 - 75 × 550 315 S	* 4 47,1
	30,8	32093	1,4	MR 3I 320 - 80 × 660 315 S	4 45,5
	30,8	32093	1,7	MR 3I 321 - 80 × 660 315 S	4 45,5
	29,9	33010	2,12	MR 3I 360 - 80 × 660 315 S	4 46,8
	34	29040	1,25	MR 3I 280 - 75 × 550 315 S	* 4 41,2
	34,4	28731	1,7	MR 3I 320 - 80 × 660 315 S	4 40,7
	34,4	28731	2,12	MR 3I 321 - 80 × 660 315 S	4 40,7
	33,1	29800	2,36	MR 3I 360 - 80 × 660 315 S	4 42,3
	37,6	26230	1,32	MR 3I 280 - 75 × 550 315 S	* 4 37,2
	37,5	26362	1,7	MR 3I 320 - 80 × 660 315 S	4 37,4
	37,5	26362	2,12	MR 3I 321 - 80 × 660 315 S	4 37,4
	36,4	27115	2,65	MR 3I 360 - 80 × 660 315 S	4 38,4
	43	22951	1,5	MR 3I 280 - 75 × 550 315 S	* 4 32,5
	41,8	23600	2,12	MR 3I 320 - 80 × 660 315 S	4 33,5
	41,8	23600	2,36	MR 3I 321 - 80 × 660 315 S	4 33,5
	40,3	24479	3	MR 3I 360 - 80 × 660 315 S	4 34,7
	48,6	20330	1,6	MR 3I 280 - 75 × 550 315 S	* 4 28,8
	46,6	21184	2,36	MR 3I 320 - 80 × 660 315 S	4 30
	56	18004	1,32	MR 2I 250 - 80 × 660 315 S	4 25
	56,9	17732	1,8	MR 2I 280 - 80 × 660 315 S	4 24,6
56	18004	2,12	MR 2I 320 - 80 × 660 315 S	4 25	
63,7	15840	1,5	MR 2I 250 - 80 × 660 315 S	4 22	
63,2	15958	2,12	MR 2I 280 - 80 × 660 315 S	4 22,2	
61,3	16457	2,5	MR 2I 320 - 80 × 660 315 S	4 22,8	
71,1	14185	1,7	MR 2I 250 - 80 × 660 315 S	4 19,7	
69,8	14458	2,36	MR 2I 280 - 80 × 660 315 S	4 20,1	
78,7	12821	2	MR 2I 250 - 80 × 660 315 S	4 17,8	
78,1	12919	2,65	MR 2I 280 - 80 × 660 315 S	4 17,9	
86,5	11652	2,12	MR 2I 250 - 80 × 660 315 S	4 16,2	
89,2	11304	2,8	MR 2I 280 - 80 × 660 315 S	4 15,7	

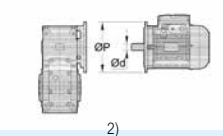
1) Powers valid for continuous duty S1; **increase possible** for duty cycles S2 ... S10 (see ch. 1 «General specifications»); in which case M_2 increases and f_s decreases.

2) For complete designation when ordering see ch. 2.

* Mounting position **B5R** (see ch. 1.2).



P_1 kW	n_2 min ⁻¹	M_2 N m	f_s		i	
1)				2)		
110	95,7	10533	1,7	MR 2I 225 - 75 × 550 315 S	* 4 14,6	
	95,9	10511	2,12	MR 2I 250 - 80 × 660 315 S	4 14,6	
	95,2	10589	3	MR 2I 280 - 80 × 660 315 S	4 14,7	
	110	9190	1,8	MR 2I 225 - 75 × 550 315 S	* 4 12,8	
	107	9412	2,5	MR 2I 250 - 80 × 660 315 S	4 13,1	
	105	9593	3,35	MR 2I 280 - 80 × 660 315 S	4 13,3	
	122	8276	2,12	MR 2I 225 - 75 × 550 315 S	* 4 11,5	
	119	8507	2,8	MR 2I 250 - 80 × 660 315 S	4 11,8	
	141	7170	2,36	MR 2I 225 - 75 × 550 315 S	* 4 9,95	
	130	7732	3,15	MR 2I 250 - 80 × 660 315 S	4 10,7	
	158	6395	2,5	MR 2I 225 - 75 × 550 315 S	* 4 8,88	
	132	16,7	70826	1	MR 3I 360 - 80 × 660 315 M	4 83,7
		20,9	56794	1,06	MR 3I 321 - 80 × 660 315 M	4 67,1
		21,2	55863	1,4	MR 3I 360 - 80 × 660 315 M	4 66
24,2		48880	0,9	MR 3I 320 - 80 × 660 315 M	4 57,8	
24,2		48880	1,12	MR 3I 321 - 80 × 660 315 M	4 57,8	
23,6		50276	1,5	MR 3I 360 - 80 × 660 315 M	4 59,4	
26,5		44746	1,06	MR 3I 320 - 80 × 660 315 M	4 52,9	
26,5		44746	1,32	MR 3I 321 - 80 × 660 315 M	4 52,9	
26,9		44013	1,7	MR 3I 360 - 80 × 660 315 M	4 52	
30,8		38511	1,18	MR 3I 320 - 80 × 660 315 M	4 45,5	
30,8		38511	1,5	MR 3I 321 - 80 × 660 315 M	4 45,5	
29,9		39612	1,8	MR 3I 360 - 80 × 660 315 M	4 46,8	
34,4		34477	1,4	MR 3I 320 - 80 × 660 315 M	4 40,7	
34,4		34477	1,8	MR 3I 321 - 80 × 660 315 M	4 40,7	
33,1		35761	2	MR 3I 360 - 80 × 660 315 M	4 42,3	
37,5		31634	1,4	MR 3I 320 - 80 × 660 315 M	4 37,4	
37,5		31634	1,8	MR 3I 321 - 80 × 660 315 M	4 37,4	
36,4		32538	2,24	MR 3I 360 - 80 × 660 315 M	4 38,4	
41,8		28320	1,8	MR 3I 320 - 80 × 660 315 M	4 33,5	
41,8		28320	2	MR 3I 321 - 80 × 660 315 M	4 33,5	
40,3		29375	2,36	MR 3I 360 - 80 × 660 315 M	4 34,7	
46,6		25420	2	MR 3I 320 - 80 × 660 315 M	4 30	
46,6		25420	2,24	MR 3I 321 - 80 × 660 315 M	4 30	
46,3		25609	2,65	MR 3I 360 - 80 × 660 315 M	4 30,3	
56		21605	1,06	MR 2I 250 - 80 × 660 315 M	4 25	
56,9		21278	1,5	MR 2I 280 - 80 × 660 315 M	4 24,6	
56		21605	1,8	MR 2I 320 - 80 × 660 315 M	4 25	
56		21605	2,24	MR 2I 321 - 80 × 660 315 M	4 25	
54,4		22256	3,15	MR 2I 360 - 80 × 660 315 M	4 25,7	
63,7		19008	1,25	MR 2I 250 - 80 × 660 315 M	4 22	
63,2		19150	1,8	MR 2I 280 - 80 × 660 315 M	4 22,2	
61,3		19748	2	MR 2I 320 - 80 × 660 315 M	4 22,8	
61,3		19748	2,5	MR 2I 321 - 80 × 660 315 M	4 22,8	
71,1		17022	1,4	MR 2I 250 - 80 × 660 315 M	4 19,7	
69,8		17350	1,9	MR 2I 280 - 80 × 660 315 M	4 20,1	
67,8		17847	2,5	MR 2I 320 - 80 × 660 315 M	4 20,6	
78,7		15386	1,6	MR 2I 250 - 80 × 660 315 M	4 17,8	
78,1		15502	2,24	MR 2I 280 - 80 × 660 315 M	4 17,9	
78,8		15360	2,8	MR 2I 320 - 80 × 660 315 M	4 17,8	
86,5		13983	1,8	MR 2I 250 - 80 × 660 315 M	4 16,2	
89,2		13565	2,36	MR 2I 280 - 80 × 660 315 M	4 15,7	
88		13751	3,55	MR 2I 320 - 80 × 660 315 M	4 15,9	
95,9	12613	1,8	MR 2I 250 - 80 × 660 315 M	4 14,6		
95,2	12707	2,5	MR 2I 280 - 80 × 660 315 M	4 14,7		
107	11295	2,12	MR 2I 250 - 80 × 660 315 M	4 13,1		
105	11512	2,8	MR 2I 280 - 80 × 660 315 M	4 13,3		
119	10209	2,36	MR 2I 250 - 80 × 660 315 M	4 11,8		
118	10286	3,35	MR 2I 280 - 80 × 660 315 M	4 11,9		
130	9278	2,65	MR 2I 250 - 80 × 660 315 M	4 10,7		
134	9001	3,75	MR 2I 280 - 80 × 660 315 M	4 10,4		
152	7942	3,15	MR 2I 250 - 80 × 660 315 M	4 9,19		

P_1 kW	n_2 min ⁻¹	M_2 N m	f_s		i
1)				2)	
160	21,2	67712	1,12	MR 3I 360 - 80 × 660 315 MC	4 66
	24,2	59248	0,95	MR 3I 321 - 80 × 660 315 MC	4 57,8
	23,6	60941	1,25	MR 3I 360 - 80 × 660 315 MC	4 59,4
	26,5	54238	1,06	MR 3I 321 - 80 × 660 315 MC	4 52,9
	26,9	53349	1,4	MR 3I 360 - 80 × 660 315 MC	4 52
	30,8	46680	0,95	MR 3I 320 - 80 × 660 315 MC	4 45,5
	30,8	46680	1,18	MR 3I 321 - 80 × 660 315 MC	4 45,5
	29,9	48014	1,5	MR 3I 360 - 80 × 660 315 MC	4 46,8
	34,4	41790	1,18	MR 3I 320 - 80 × 660 315 MC	4 40,7
	34,4	41790	1,5	MR 3I 321 - 80 × 660 315 MC	4 40,7
	33,1	43346	1,6	MR 3I 360 - 80 × 660 315 MC	4 42,3
	37,5	38345	1,18	MR 3I 320 - 80 × 660 315 MC	4 37,4
	37,5	38345	1,5	MR 3I 321 - 80 × 660 315 MC	4 37,4
	36,4	39440	1,8	MR 3I 360 - 80 × 660 315 MC	4 38,4
	41,8	34328	1,4	MR 3I 320 - 80 × 660 315 MC	4 33,5
	41,8	34328	1,7	MR 3I 321 - 80 × 660 315 MC	4 33,5
	40,3	35606	2	MR 3I 360 - 80 × 660 315 MC	4 34,7
	46,6	30813	1,7	MR 3I 320 - 80 × 660 315 MC	4 30
	46,6	30813	1,8	MR 3I 321 - 80 × 660 315 MC	4 30
	46,3	31041	2,24	MR 3I 360 - 80 × 660 315 MC	4 30,3
	56,9	25791	1,18	MR 2I 280 - 80 × 660 315 MC	4 24,6
	56	26188	1,5	MR 2I 320 - 80 × 660 315 MC	4 25
	56	26188	1,8	MR 2I 321 - 80 × 660 315 MC	4 25
	54,4	26977	2,5	MR 2I 360 - 80 × 660 315 MC	4 25,7
	63,2	23212	1,5	MR 2I 280 - 80 × 660 315 MC	4 22,2
	61,3	23938	1,7	MR 2I 320 - 80 × 660 315 MC	4 22,8
	61,3	23938	2,12	MR 2I 321 - 80 × 660 315 MC	4 22,8
	59,9	24469	3	MR 2I 360 - 80 × 660 315 MC	4 23,4
	69,8	21030	1,6	MR 2I 280 - 80 × 660 315 MC	4 20,1
	67,8	21632	2,12	MR 2I 320 - 80 × 660 315 MC	4 20,6
	67,8	21632	2,65	MR 2I 321 - 80 × 660 315 MC	4 20,6
	78,1	18791	1,8	MR 2I 280 - 80 × 660 315 MC	4 17,9
	78,8	18618	2,36	MR 2I 320 - 80 × 660 315 MC	4 17,8
	89,2	16442	2	MR 2I 280 - 80 × 660 315 MC	4 15,7
	88	16668	3	MR 2I 320 - 80 × 660 315 MC	4 15,9
	95,2	15402	2	MR 2I 280 - 80 × 660 315 MC	4 14,7
	105	13954	2,36	MR 2I 280 - 80 × 660 315 MC	4 13,3
	118	12468	2,65	MR 2I 280 - 80 × 660 315 MC	4 11,9
	134	10910	3,15	MR 2I 280 - 80 × 660 315 MC	4 10,4
	152	9664	3,35	MR 2I 280 - 80 × 660 315 MC	4 9,22

1) Powers valid for continuous duty S1; **increase possible** for duty cycles S2 ... S10 (see ch. 1 «General specifications»): in which case M_2 increases and f_s decreases.

2) For complete designation when ordering see ch. 2.

* Mounting position **B5R** (see ch. 1.2).

This page is intentionally left blank.

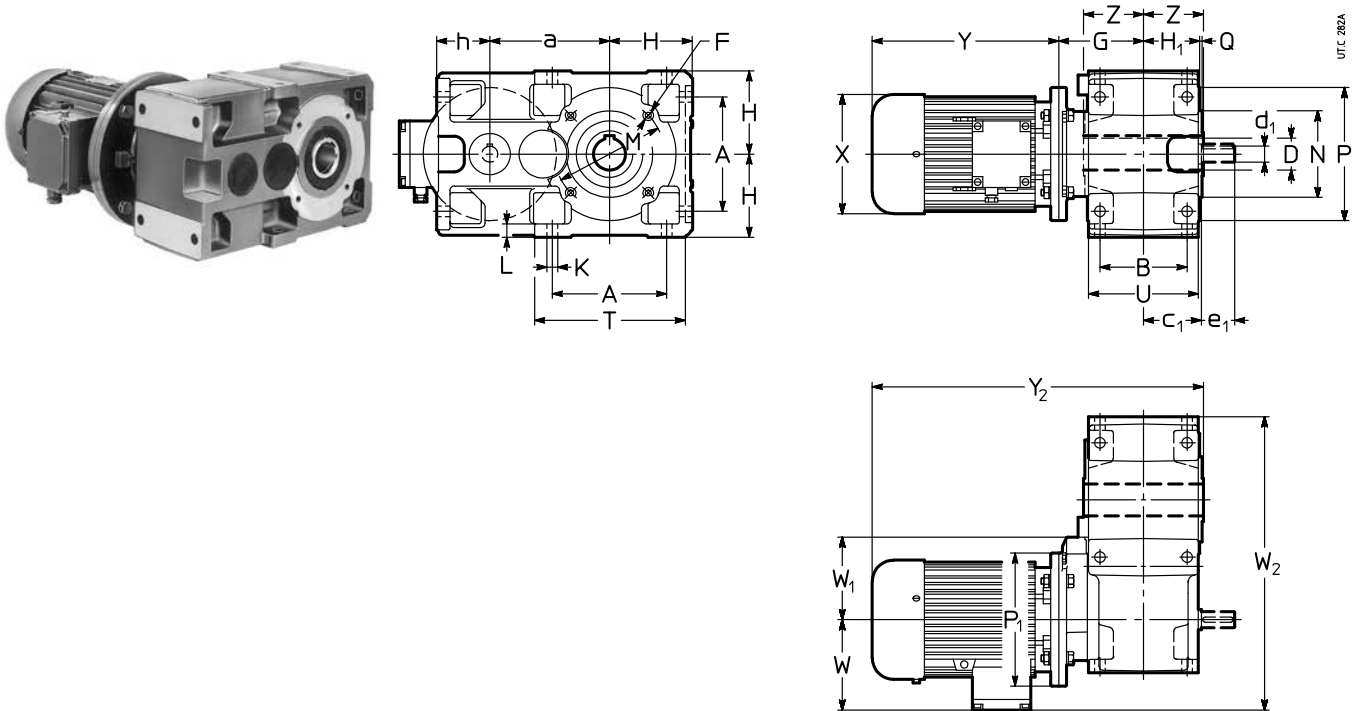
12 – Dimensions, designs, mounting positions of helical gearmotors

12.1 - Gearmotors MR 2I.....	228
Dimensions	228
Designs (direction of rotation)	230
Mounting positions	231
Lubrication details	232
12.2 - Gearmotors MR 3I.....	234
Dimensions	234
Designs (direction of rotation)	236
Mounting positions	237
Lubrication details	238
12.3 - Gearmotors MR 4I.....	240
Dimensions	240
Designs (direction of rotation).....	241
Mounting positions	242
Lubrication details	243
12.4 - Gearmotors MR 2I – Long model	244
Dimensions	244
Designs (direction of rotation)	246
Mounting positions	247
Lubrication details	248
12.5 - Gearmotors MR 3I – Long model	250
Dimensions	250
Designs (direction of rotation)	252
Mounting positions	253
Lubrication details	254

12.1 - Gearmotors MR 2I

Dimensions

MR 2I 40 ... 125



Red.	Mot.	a	A	B	c ₁	D Ø H7	d ₁ Ø	e ₁	F	G	H h11	H ₁ h11	h	K Ø	L	M Ø	N Ø h6	P Ø	Q	T	U	Z	P ₁ Ø	X Ø	Y ≈	Y ₂ ≈	W ≈	W ₁ ≈	W ₂ ≈	kg			
	B5							1)																	2)					2)			
40	63 71 ⁶⁾	73,5	73	65	43	19	11	23	M5	69,5	56	41,5	40,5	7	10	75	60	90	2,5	102	80	46	140 140	123 138	189 235	244 297	305 351	360 413	95 56	56 56	225 242	12 15	14 18
50	63 71 80 ⁶⁾	90	86	75	51	24	14	30	M6	77 79	67	49	50	9,5	12	85	70	105	2,5	120	95	53	140 160 160	123 138 156	189 216 254	244 278 323	319 348 386	374 410 455	95 112 121	70 80 80	252 269 278	16 19 23	18 22 27
63 64	71 80 90 100 ⁵⁾	113 (63) 115 (64)	102	90	61	30 (63) 32 (64)	16	30	M8	90	80	58,5	62	11,5	14	100	80	120	3	143	114	63	160 200 200 200	138 156 176 194	216 233 287 337	278 302 366 432	369 386 440 490	431 455 519 585	112 121 141 151	80 100 100 100	307 316 336 346	24 29 34 41	27 33 40 47
80 81	90 100 ⁴⁾ 112 ⁴⁾	142,5	132	106	72	38 (80) 40 (81)	19	40	M10	108	100	69,5	70	14	17	130	110	160	3,5	180	135	75	200 250 250 300	176 194 218	287 310 336	366 405 435	470 549 519	549 588 618	141 151 163	100 125 125	384 394 406	46 53 65	52 59 74
100	90 100 112 132 ⁴⁾	180	172	131	87	48	24	50	M12	130 150	125	84,5	80	16	20	165	130	200	3,5	228	165	90	200 250 250 300	176 194 218 257	287 310 336 445	366 405 435 553	507 530 556 685	586 625 655 793	141 151 163 194	125 125 125 150	446 456 468 499	67 74 86 122	73 80 95 134
125	112 132 160 180	225	212	162	107	60	28	60	3)	159 164 179	150	103,5	100	18	23	215	180	250	4	274	201	110	250 300 315 360	218 257 540 590	336 445 630 725	435 553 829 879	605 719 919 1014	704 827 919 240	163 194 175 175	166 166 615 653	538 569 615 653	120 156 213 330	129 168 250 378

1) Working length of thread 2 · F.

2) Values valid for brake motor.

3) For dimension, number and angular position see ch. 6.

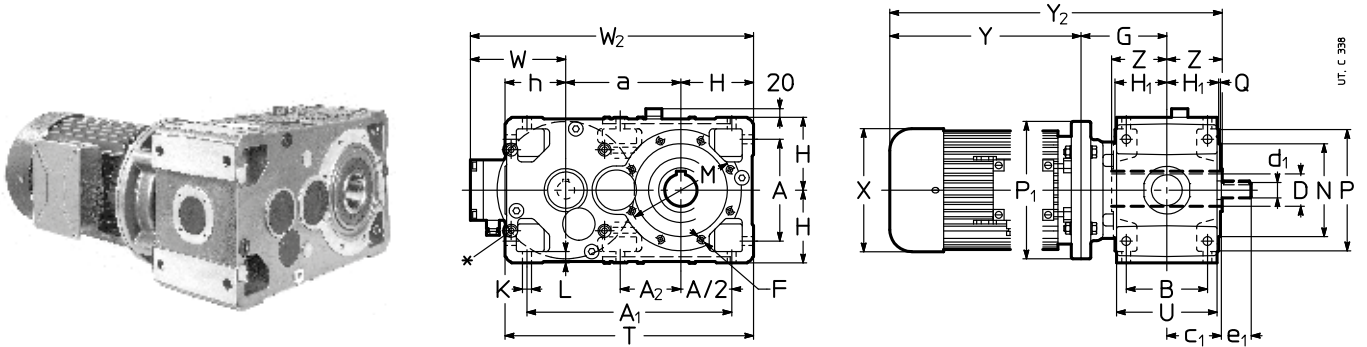
4) On request for 100LB 4, 112M 4 and 132M 4 also mounting position **B5R** (see ch. 1.2; dimensions Y and Y₂ increase by 27 mm, 26 mm and 35 mm, respectively).

5) Mounting position **B5R** (see ch. 1.2).

6) Mounting position **B5A** (see ch. 1.2).



MR 2I 140 ... 360



Red.	Mot.	a	A	A ₁	A ₂	B	c ₁	D Ø H7	d ₁ Ø	e ₁	F	G	H	H ₁	h	K Ø	L	M Ø	N Ø h6	P Ø	T	Z	P ₁ Ø	X Ø	Y ≈	Y ₂ ≈	W ≈	W ₂ ≈	kg			
	B5										1)		h11	h11					Q	U					2)	2)			2)			
140	132	240	212	427	127	162	107	70	28	60	4)	159	150	103,5	125	18	23	265	230	300	515	125	300	257	445	553	729	837	194	584	188	200
	160											179							4	201			350	315	540	630	844	934	240	630	245	282
	180																						350	360	590	725	894	1029	278	668	362	410
	200																						350	400	650	760	954	1064	310	700	357	405
160	160	285	252	507	-	201	132	80	38	80	M16	204	180	128,5	150	22	28	265	230	300	615	136	350	315	540	630	880	970	240	705	313	350
	180											194							4	249			350	360	590	725	930	1065	278	743	430	478
	200											224											400	400	650	760	980	1090	310	775	425	473
	225																						450	450	680	-	1040	-	330	795	520	-
180	180	305	252	527	170	201	132	90	38	80	M16	204	180	128,5	150	22	28	300	250	350	635	150	350	360	590	725	944	1079	278	763	448	496
	200											194							5	249			400	400	650	760	994	1104	310	795	443	491
	225											224											450	450	680	-	1054	-	330	815	538	-
	250																						450	485	736	-	1110	-	375	860	681	-
200	200	360	320	635	-	250	162	100	48	110	4)	225	225	158	180	27	34	350	300	400	765	167	400	400	650	760	1042	1152	310	895	558	606
	225											255							5	307			450	450	680	-	1102	-	330	915	653	-
	250																						550	485	736	-	1158	-	375	960	796	-
	280																						550	550	928	-	1350	-	405	990	1005	-
225	225	385	320	660	223	250	162	110	48	110	M20	255	225	158	180	27	34	400	350	450	790	180	450	450	680	-	1115	-	330	940	684	-
	250																		5	307			550	485	736	-	1171	-	375	985	827	-
	280																						550	550	928	-	1363	-	405	1015	1036	-
	315 ³⁾																						550	620	1015	-	1450	-	530	1140	1329	-
250	250	450	396	791	-	310	200	125	55	110	4)	290	280	195	225	33	42	500	450	550	955	206	550	485	736	-	1232	-	375	1105	1030	-
	315											310							5	380			550	550	928	-	1424	-	405	1135	1239	-
280	280	480	396	821	277	310	200	140	55	110	M24	290	280	195	225	33	42	500	450	550	985	222	550	550	928	-	1440	-	405	1165	1293	-
	315											310							5	380			660	620	1155	-	1687	-	530	1290	1805	-
320	280	570	510	1005	-	386	245	160	70	140	4)	336	355	241	280	39	52	600	550	660	1205	254	550	550	928	-	1518	-	405	1330	1651	-
	315											356							6	660			660	660	1155	-	1763	-	530	1455	2162	-
360	280	610	510	1045	358	386	245	180	70	140	M30	356	355	241	280	39	52	600	550	660	1245	273	660	550	928	-	1537	-	405	1370	1746	-
	315																		6	660			660	620	1155	-	1784	-	530	1495	2257	-

* Machined surface and N.4 threaded holes (dimensions in ch. 6 «Gear reducer input face»).

1) Working length of thread 2 · F.

2) Values valid for brake motor.

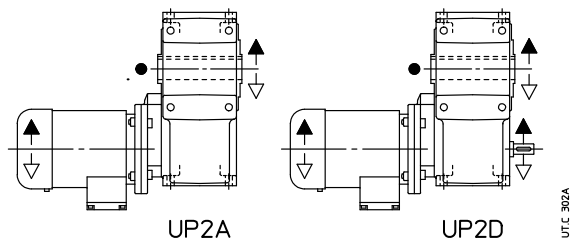
3) Mounting position **B5R** (see ch. 1.2).

4) For dimension, number and angular position see ch. 6.

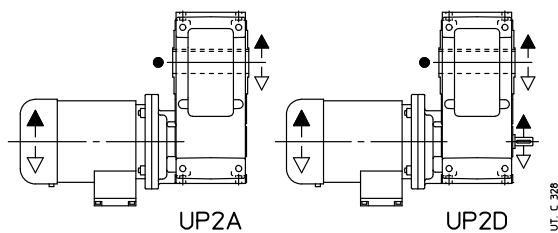


Designs¹⁾ (direction of rotation)

MR 2I 40 ... 125



MR 2I 140 ... 360



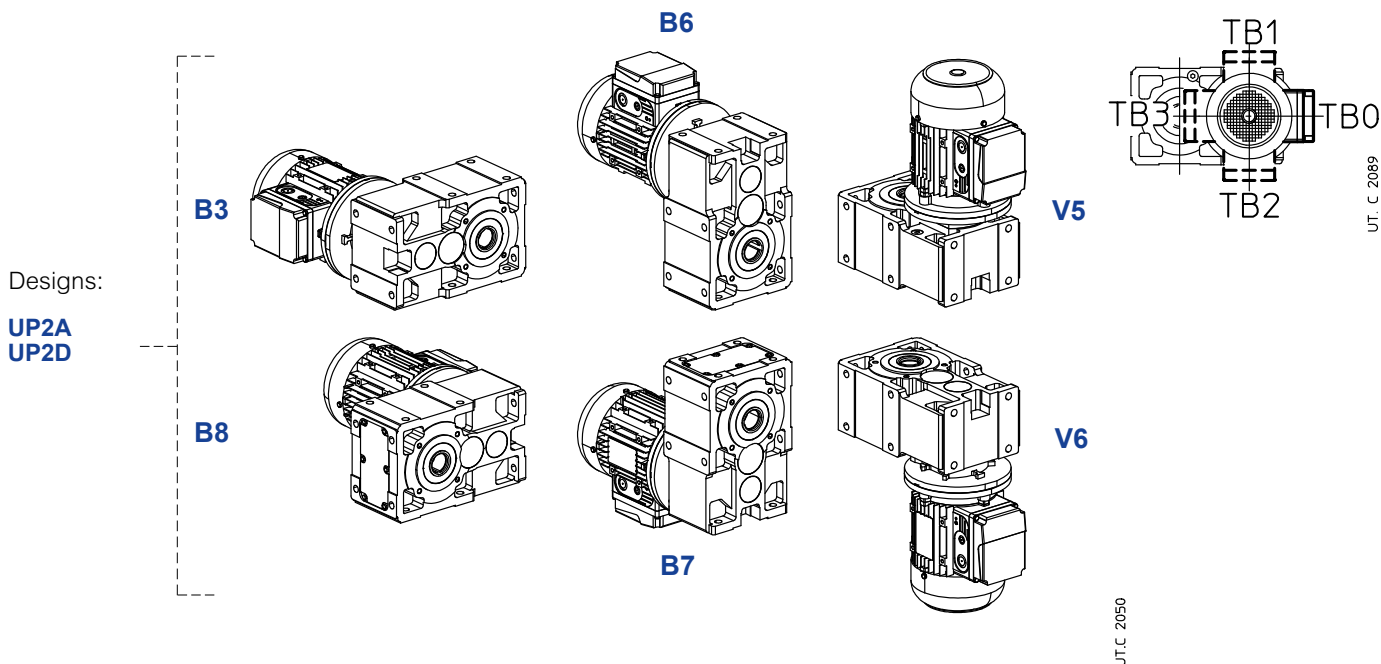
● Position of reference groove (see ch. 6) for radial load verification.

1) For motor design see ch. 2.

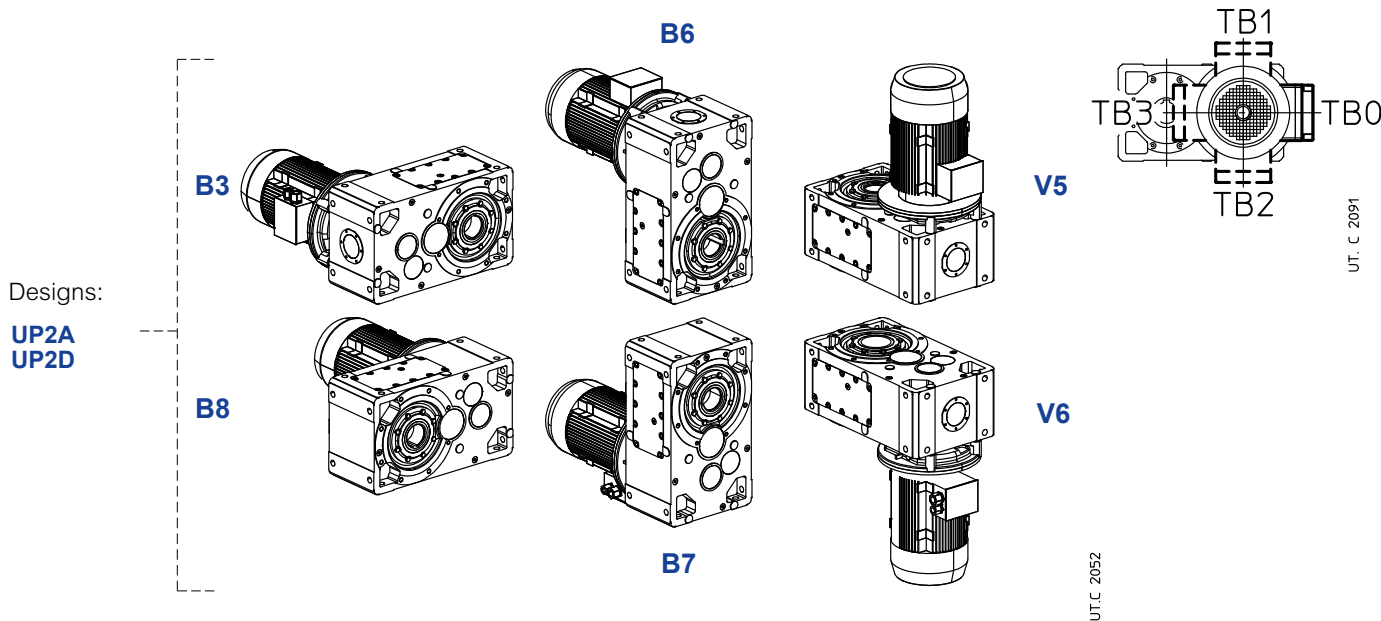
Mounting positions

Unless otherwise stated, gear reducers are supplied in mounting position **B3** (see ch. 2).

MR 2I 40 ... 125



MR 2I 140 ... 360



Oil quantity

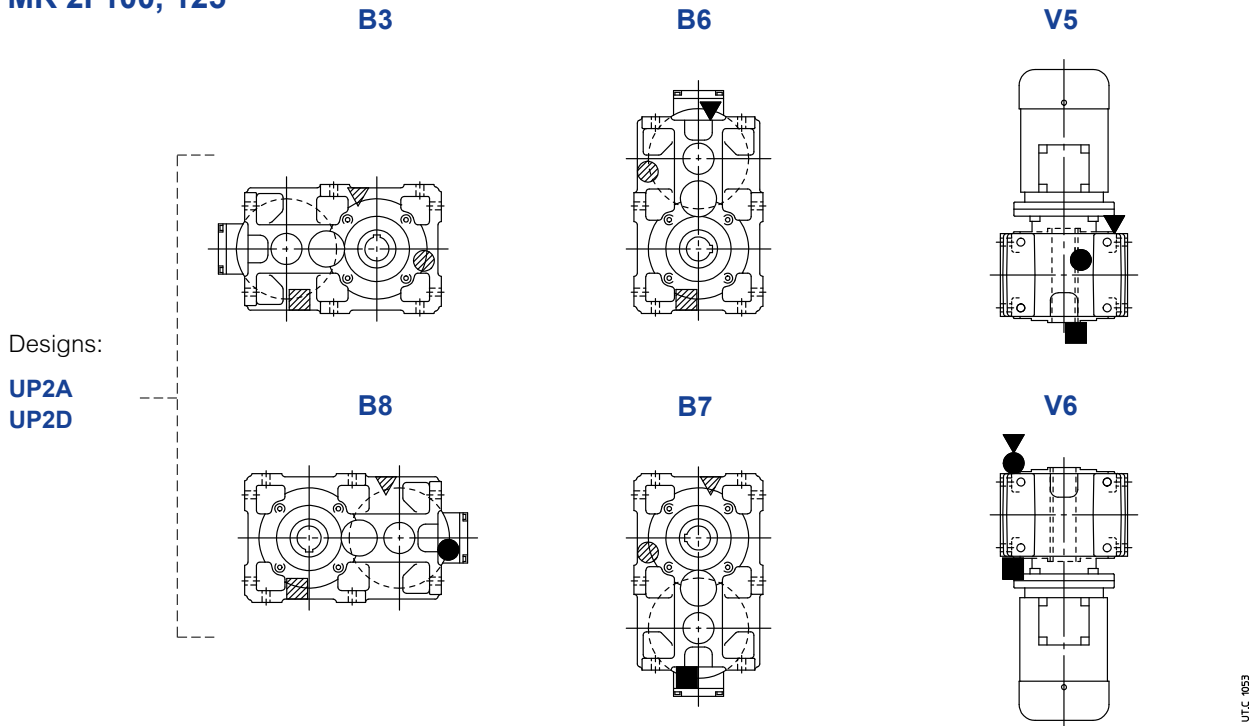
MR 2I 40 ... 360

Stated oil quantities [l] are approximate for provisioning. The exact oil quantity the gear reducer is to be filled with is defined by the level plug.

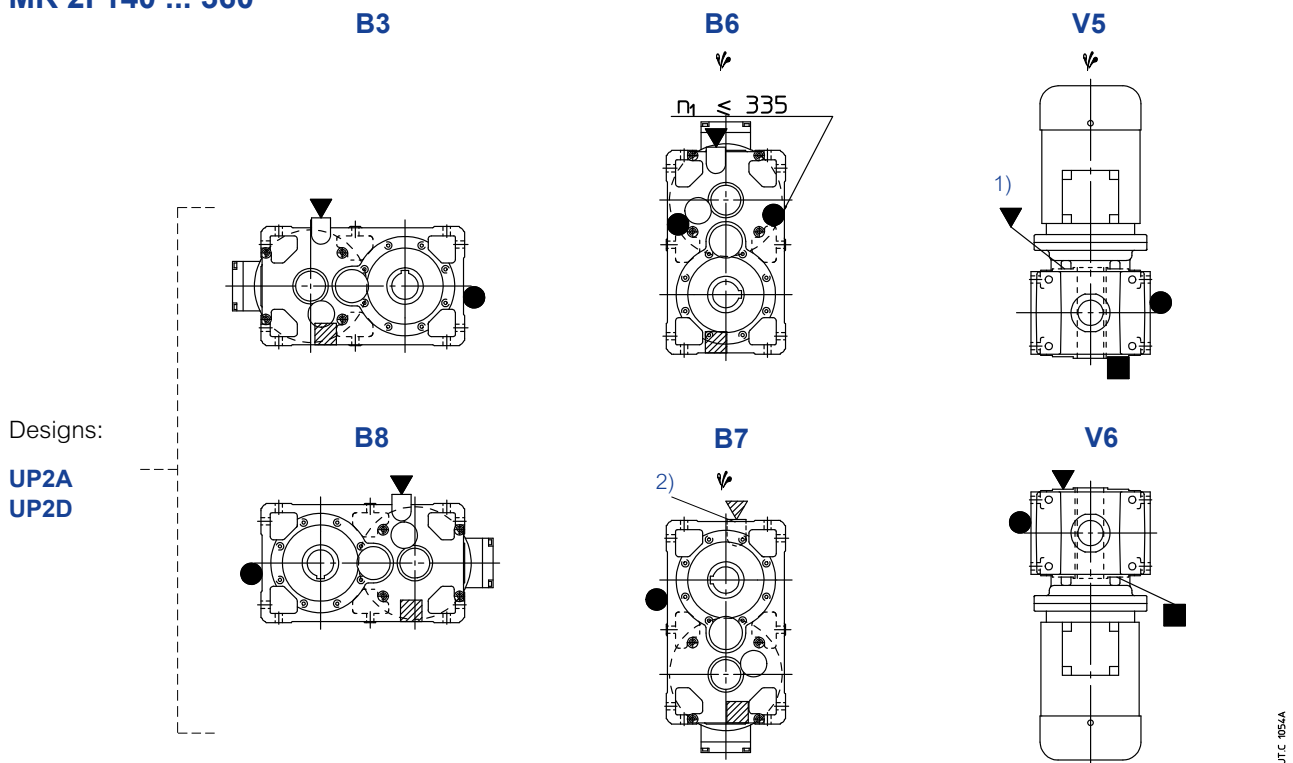
Mounting position	40	50	63, 64	80, 81	100	125	140	160	180	200	225	250	280	320, 321	360
B3	0,4	0,6	0,9	1,5	2,9	5,6	6,6	12	13	25	26	47	51	97	100
B8	0,4	0,6	0,9	1,5	2,9	5,6	6,6	12	13	25	26	47	51	97	100
B6	0,55	0,8	1,2	2,3	5	9	9,7	18	19	35	37	67	72	137	140
B7	0,55	0,8	1,2	2,3	5	9	9,7	18	19	35	37	67	72	137	140
V5	0,55	0,8	1,2	2,3	5	9	9,7	18	19	35	37	67	72	137	140
V6	0,55	0,8	1,2	2,3	5	9	9,7	18	19	35	37	67	72	137	140

Lubrication details

MR 2I 100, 125



MR 2I 140 ... 360



- 1) Oil filler plug possible even on low speed shaft side.
 - 2) Oil filler plug possible even on opposite side.
- ▼ Possible high oil splash: for the corrective factor f_3 of nominal thermal power P_{t_n} see ch. 4.

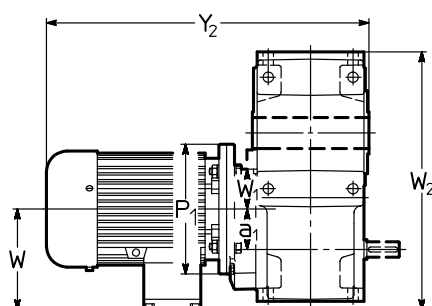
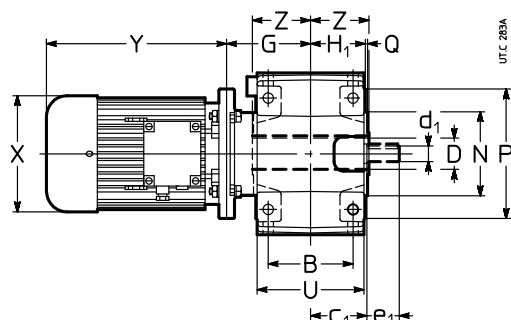
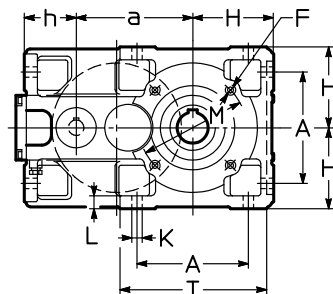
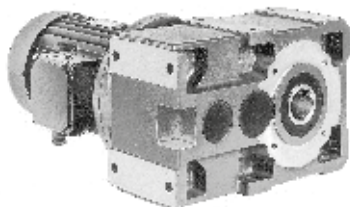
- ▼ oil filler plug
- oil level plug
- oil drain plug
- ▼● oil filler plug with oil level dip stick
- ▼ oil filler plug on opposite side (not in view)
- oil level plug on opposite side (not in view)
- oil drain plug on opposite side (not in view)

This page is intentionally left blank.

12.2 - Gearmotors MR 31

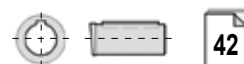
Dimensions

MR 31 40 ... 125

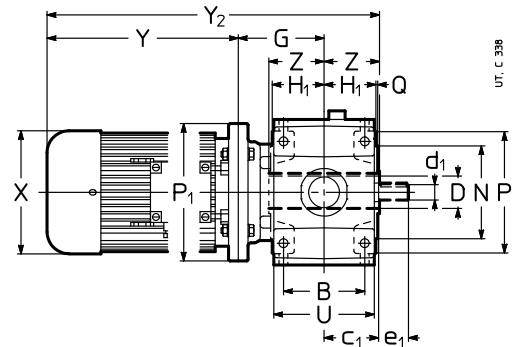
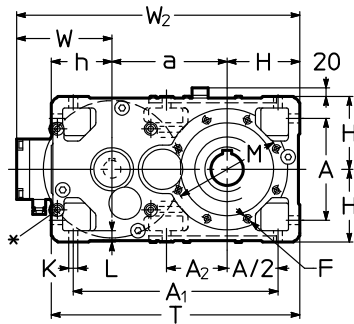
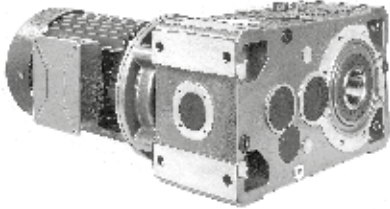


Red.	Mot.	a	A	B	c ₁	D Ø H7	d ₁ Ø	e ₁	F	G	H	H ₁	h	K	L	M	N	P	Q	T	U	Z	P ₁ Ø	X	Y	Y ₂	W	W ₁	W ₂	kg			
	B5	a ₁							1)		h11	h11		Ø		Ø	Ø h6	Ø				Ø	≈	2)	2)	≈	≈	≈	≈	2)			
40	63	73,5 30	73	65	43	19	11	23	M5	69,5	56	41,5	40,5	7	10	75	60	90	2,5	102	80	46	140	123	189	244	305	360	95	26	194,5	14	16
50	63 71	90 32	86	75	51	24	14	30	M6	77 79	67	49	50	9,5	12	85	70	105	2,5	120	95	53	140 160	123 138	189 216	244 278	319 348	374 410	95 112	35 35	220 237	19 23	21 26
63 64	63 71 80 90 ⁴⁾	113 (63) 115 (64) 40	102	90	61	30 (63) 32 (64)	16	30	M8	90	80	58,5	62	11,5	14	100	80	120	3	143	114	63	140 160 200 200	123 138 233 176	189 216 302 287	244 278 302 366	397 431 455 519	95 112 121 141	40 40 40 40	257 267 276 296	24 28 33 38	26 31 37 44	
80 81	71 80 90 100 ⁴⁾	142,5 50	132	106	72	38 (80) 40 (81)	19	40	M10	108	100	69,5	70	14	17	130	110	160	3,5	180	135	75	160 200 200 200	138 156 176 194	216 233 287 337	278 302 366 432	399 416 485 549	461 485 549 615	112 121 141 151	50 50 50 50	312,5 313,5 333,5 343,5	36 41 46 55	39 45 52 61
100	80 90 100 112	180 62,5	172	131	87	48	24	50	M12	130	125	84,5	80	16	20	165	130	200	3,5	228	165	90	200 200 250 250	156 176 194 218	233 287 310 336	302 366 405 435	453 507 530 556	522 586 625 655	121 141 151 163	62 62 62 62	385 385 393,5 405,5	63 68 75 87	67 74 81 96
125	90 100 112 132	225 80	212	162	107	60	28	60	3)	159	150	103,5	100	18	23	215	180	250	4	274	201	110	200 250 250 300	176 194 218 257	287 310 336 445	366 405 435 553	556 579 605 719	635 674 704 827	141 151 163 194	86 86 86 86	475 475 475 489	109 116 128 164	115 122 137 176

1) Working length of thread 2 · F.
 2) Values valid for brake motor.
 3) For dimension, number and angular position see ch. 6.
 4) Mounting position **B5R** (see ch. 1.2).



MR 3I 140 ... 360



Red.	Mot.	a	A	A ₁	A ₂	B	c ₁	D Ø H7	d ₁ Ø	e ₁	F	G	H h11	H ₁ h11	h	K Ø	L	M Ø	N Ø h6	P Ø	T	Z	P ₁ Ø	X Ø	Y	Y ₂	W	W ₂	kg			
	B5										1)														2)	2)			2)			
140	100	240	212	427	127	162	107	70	24	50	4)	134	150	103,5	125	18	23	265	230	300	515	125	250	194	310	405	569	664	151	541	140	146
	112																						250	218	336	435	595	694	163	553	152	161
	132																						300	257	445	553	729	837	194	584	188	200
	160 ³⁾												159										300	315	540	630	844	934	240	630	245	282
160	100	285	252	507	-	201	132	80	28	60	M16	179	180	128,5	150	22	28	265	230	300	615	136	250	194	310	405	625	720	151	616	208	214
	112																						250	218	336	435	651	750	163	628	220	229
	132																						300	257	445	553	760	868	194	659	256	268
	160 180											204											350	315	540	630	880	970	240	705	313	350
180	112	305	252	527	170	201	132	90	28	60	M16	179	180	128,5	150	22	28	300	250	350	635	150	250	218	336	435	665	764	163	648	238	247
	132																						300	257	445	553	774	882	194	679	274	286
	160											204											350	315	540	630	894	984	240	725	331	368
	180 200 ³⁾											194											350	360	590	725	944	1079	278	763	448	496
200	132	360	320	635	-	250	162	100	35	80	4)	225	225	158	180	27	34	350	300	400	765	167	300	257	445	553	837	945	194	779	389	401
	160																						350	315	540	630	932	1022	240	825	446	483
	180																						400	400	650	760	1042	1152	310	895	558	606
	200 225											255											450	450	680	880	1102	-	330	915	653	-
225	132	385	320	660	223	250	162	110	35	80	M20	225	225	158	180	27	34	400	350	450	790	180	300	257	445	553	850	958	194	804	420	432
	160																						350	315	540	630	945	1035	240	850	477	514
	180																						350	360	590	725	995	1130	278	888	594	642
	200 225 250 ³⁾											255											400	400	650	760	1055	1165	310	920	589	637
250	160	450	396	791	-	310	200	125	45	110	4)	260	280	195	225	33	42	500	450	550	955	206	350	315	540	630	1006	1096	240	970	680	717
	180																						350	360	590	725	1056	1191	278	1008	797	845
	200																						400	400	650	760	1116	1226	310	1040	792	840
	225 250 280											290											450	450	680	-	1176	-	330	1060	887	-
280	160	480	396	821	277	310	200	140	45	110	M24	260	280	195	225	33	42	500	450	550	985	222	350	315	540	630	1022	1112	240	1000	734	771
	180																						350	360	590	725	1072	1207	278	1038	851	899
	200																						400	400	650	760	1132	1242	310	1070	846	894
	225 250 280 315 ³⁾											290											450	450	680	-	1192	-	330	1090	941	-
320	200	570	510	1005	-	386	245	160	55	110	4)	326	355	241	280	39	52	600	550	660	1205	254	400	400	650	760	1230	1340	310	1235	1204	1252
	225																						450	450	680	-	1260	-	330	1255	1299	-
	250											336											550	485	736	-	1326	-	375	1300	1442	-
	280 315											356											550	550	928	-	1518	-	405	1330	1651	-
360	200	610	510	1045	358	386	245	180	55	110	M30	326	355	241	280	39	52	600	550	660	1245	273	400	400	650	760	1249	1359	310	1275	1299	1347
	225																						450	450	680	-	1279	-	330	1295	1394	-
	250											336											550	485	736	-	1345	-	375	1340	1537	-
	280 315											356											550	550	928	-	1537	-	405	1370	1746	-

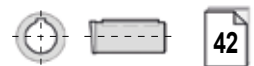
* Machined surface and N.4 threaded holes (dimensions in ch. 6 «Gear reducer input face»).

1) Working length of thread 2 · F.

2) Values valid for brake motor.

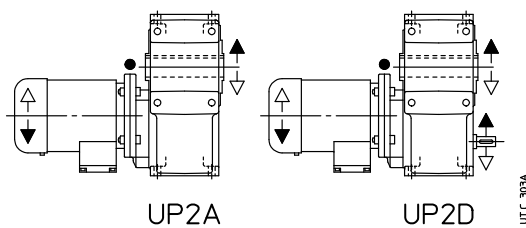
3) For mounting position **B5R** (see ch. 1.2), brake motor is not possible. Moreover for size **315S** the following dimensions will be reduced **X**: Ø490, dimension **Y**: 820, dimension **W**: 360, mass: 1102 kg.

4) For dimension, number and angular position see ch. 6.

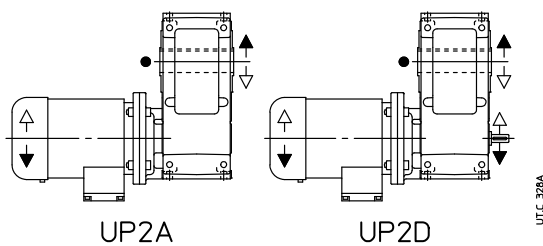


Designs¹⁾ (direction of rotation)

MR 3I 40 ... 125



MR 3I 140 ... 360

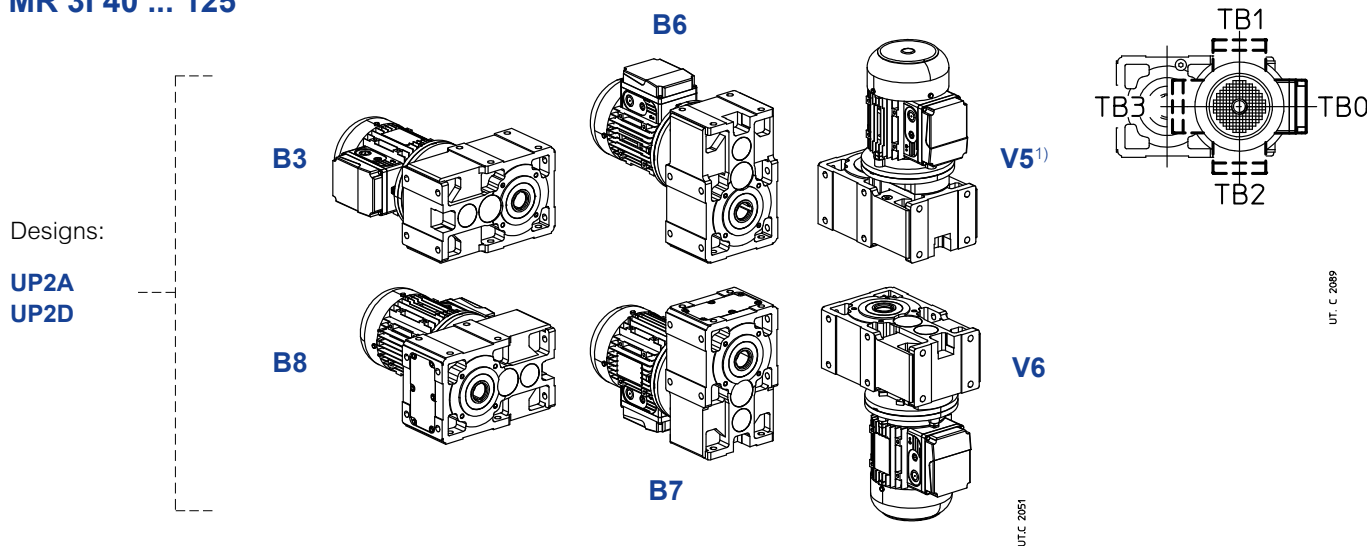


● Position of reference groove (see ch. 6) for radial load verification.
1) For motor design see ch. 2.

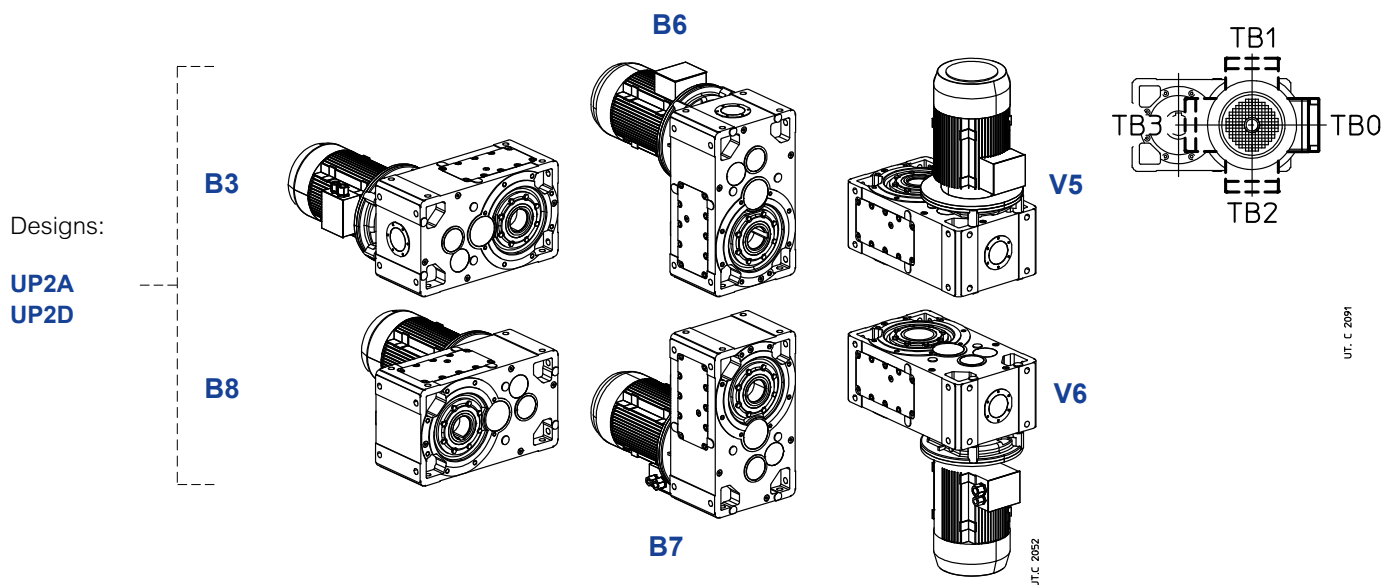
Mounting positions

Unless otherwise stated, gear reducers are supplied in mounting position **B3** (see ch. 2).

MR 3I 40 ... 125



MR 3I 140 ... 360



Oil quantity

MR 3I 40 ... 360

Lubricant quantities [l] stated in the table are approximate for provisioning. The exact oil quantity the gear reducer is to be filled with is defined by the level plug.

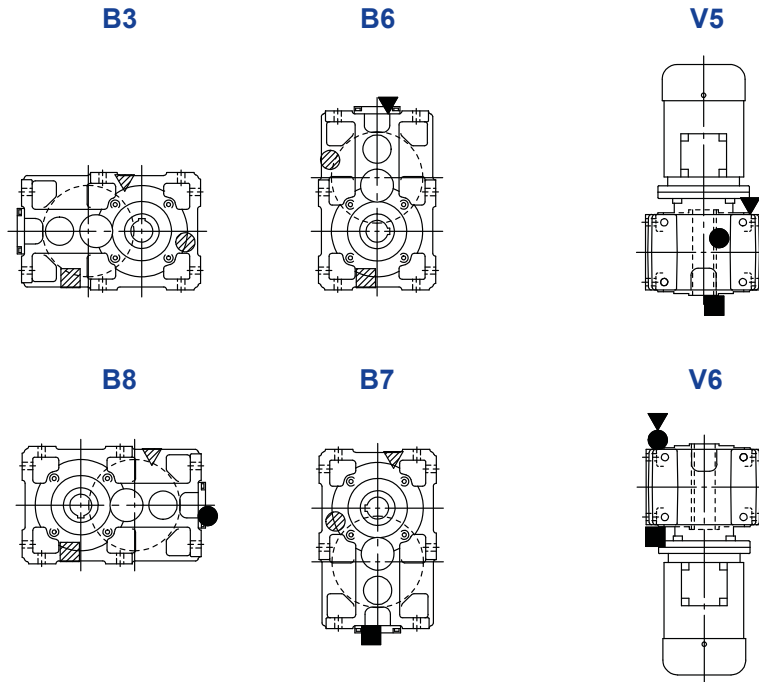
Mounting position	40	50	63, 64	80, 81	100	125	140	160	180	200	225	250	280	320, 321	360
B3	0,47	0,7	1	1,7	3,3	6,1	6,6	12	13	25	26	47	51	97	100
B8	0,47	0,7	1	1,7	3,3	6,1	9,7	18	19	35	37	67	72	137	140
B6	0,55	1,05	1,5	2,9	5,7	10,2	9,7	18	19	35	37	67	72	137	140
B7	0,55	0,9	1,3	2,5	4,9	8,8	9,7	18	19	35	37	67	72	137	140
V5¹⁾	0,55	0,9	1,3	2,5	4,9	8,8	9,7	18	19	35	37	67	72	137	140
V6	0,55	0,9	1,3	2,5	4,9	8,8	9,7	18	19	35	37	67	72	137	140

1) For sizes 40 ... 125, the first reduction stage is grease lubricated «for life» (quantity 5% the oil one).

Lubrication details

MR 3I 100, 125

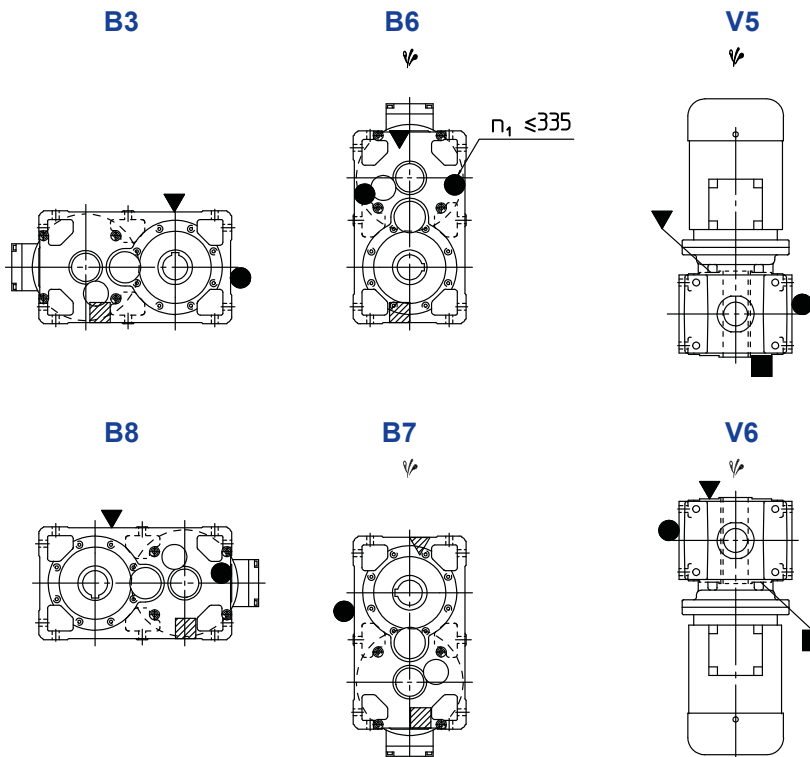
Designs:
UP2A
UP2D



UTC 2073

MR 3I 140 ... 360

Designs:
UP2A
UP2D



UTC 1055A

▽ Possible high oil splash: for the corrective factor f_{t3} of nominal thermal power P_{tN} see ch. 4.

- ▼ oil filler plug
- oil level plug
- oil drain plug
- oil filler plug with oil dip stick

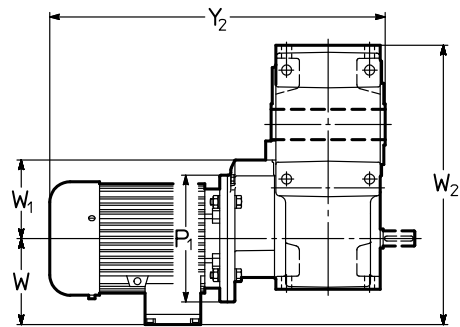
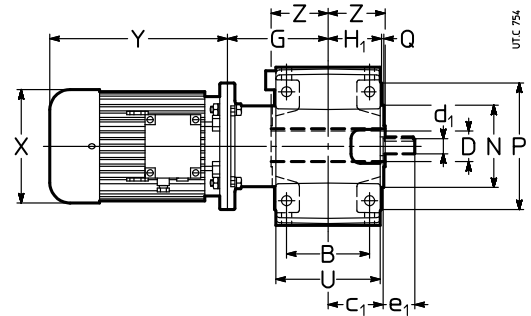
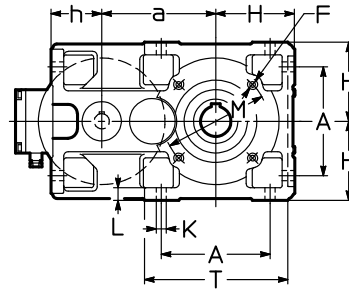
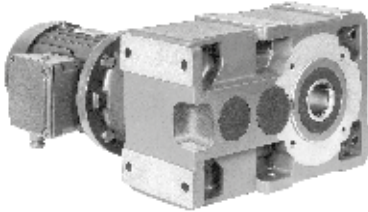
- ▽ oil filler plug on opposite side (not in view)
- oil level plug on opposite side (not in view)
- oil drain plug on opposite side (not in view)

This page is intentionally left blank.

12.3 - Gearmotors MR 4I

Dimensions

MR 4I 63 ... 125

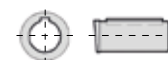


Red.	Mot.	a	A	B	c ₁	D Ø H7	d ₁ Ø	e ₁	F	G	H h11	H ₁ h11	h	K Ø	L	M Ø	N Ø h6	P Ø	Q	T	U	Z	P ₁ Ø	X Ø	Y ≈	Y ₂ ≈	W ≈	W ₁	W ₂	kg			
	B5								1)																2)	2)				2)			
63 64	63 71	113 (63) 115 (64)	102	90	61	30 (63) 32 (64)	16	30	M8	109	80	58,5	62	11,5	14	100	80	120	3	143	114	63	140 160	123 138	189 216	244 278	361 388	416 450	95 112	80 80	290 307	24 28	26 31
80 81	71 80	142,5	132	106	72	38 (80) 40 (81)	19	40	M10	135	100	69,5	70	14	17	130	110	160	3,5	180	135	75	160 200	138 156	216 233	278 302	426 443	488 512	112 121	100 100	355 364	37 42	40 46
100	80 90	180	172	131	87	48	24	50	M12	163	125	84,5	80	16	20	165	130	200	3,5	228	165	90	200 200	156 176	233 287	302 366	486 540	555 619	121 141	125 125	426 446	65 70	69 76
125	90 100 112	225	212	162	107	60	28	60	3)	203	150	103,5	100	18	23	215	180	250	4	274	201	110	200 250 250	176 194 218	287 310 336	366 405 435	600 623 649	679 718 748	141 151 163	166 166 166	516 526 538	112 119 131	118 125 140

1) Working length of thread 2 · F.

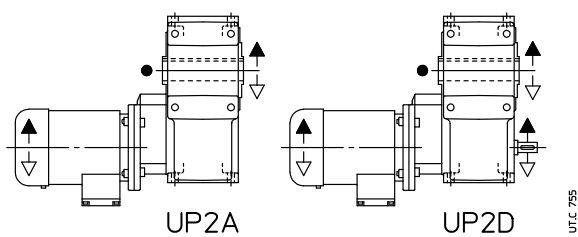
2) Values valid for brake motor.

3) For dimension, number and angular position see ch. 6.



Designs¹⁾ (direction of rotation)

MR 4I 63 ... 125

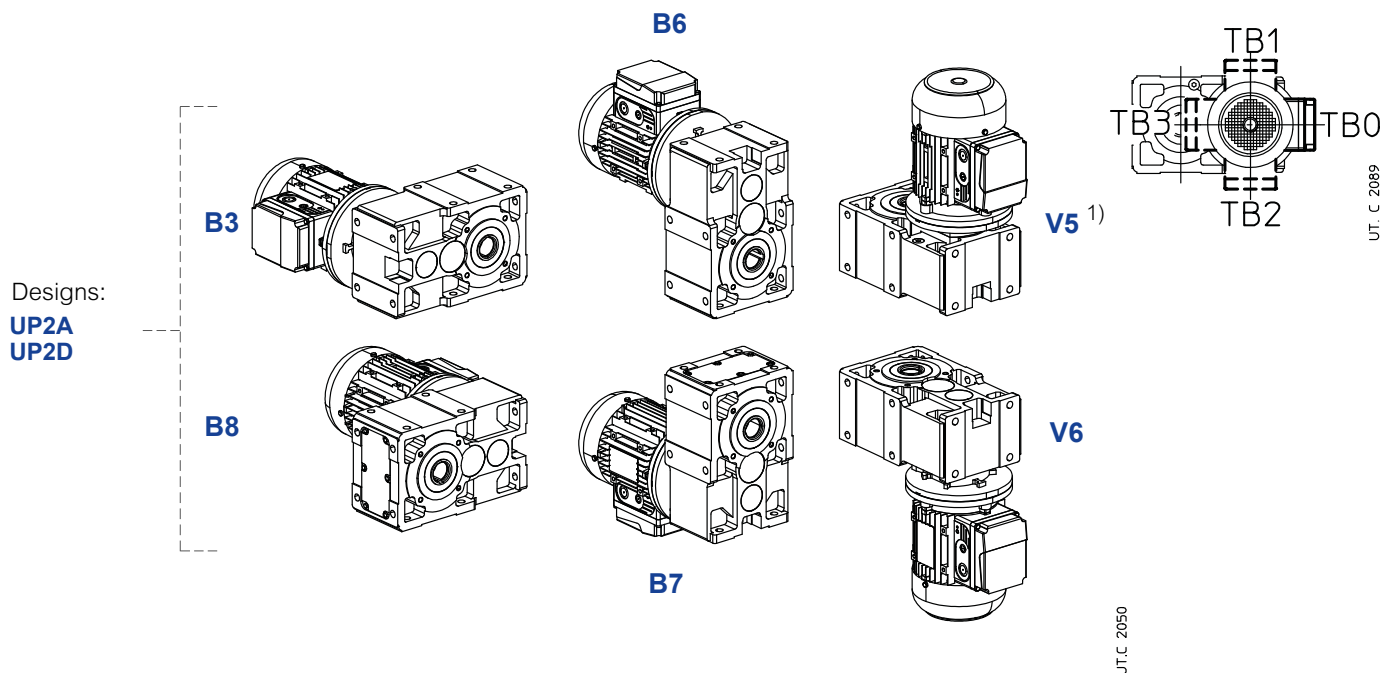


● Position of reference groove (see ch.18) for radial load verification.
1) For motor design see ch. 2.

Mounting positions

Unless otherwise stated, gear reducers are supplied in mounting position **B3** (see ch. 2).

MR 4I 63 ... 125



Oil quantity

MR 4I 63 ... 125

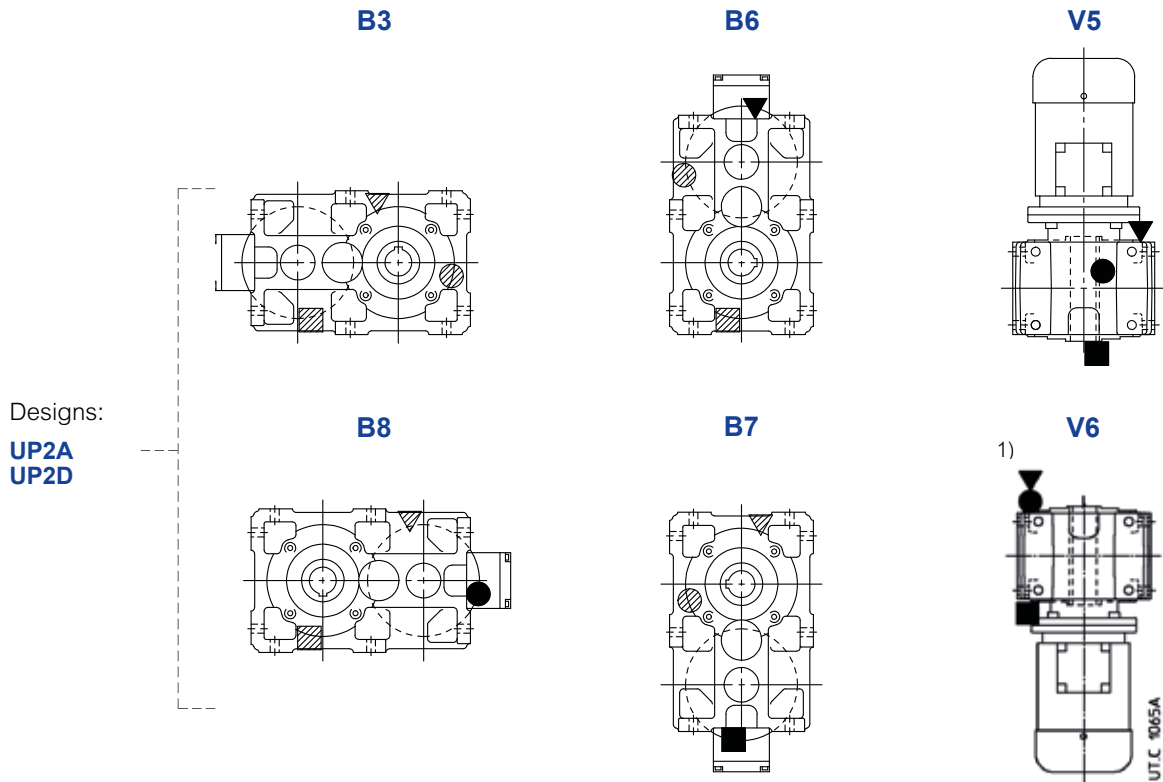
Lubricant quantities [l] stated in the table are approximate for provisioning. The exact oil quantity the gear reducer is to be filled with is defined by the level plug.

Mounting position	63, 64	80, 81	100	125
B3	1,1	1,9	3,6	6,6
B8	1,1	1,9	3,6	6,6
B6	1,8	3,2	6	10,7
B7	1,4	2,7	5,3	9,4
V5¹⁾	1,3	2,5	4,9	8,8
V6	1,4	2,7	5,3	9,4

1) The first 2 reduction stages lubricated «for life» with grease (10% oil quantity).

Lubrication details

MR 4I 100, 125



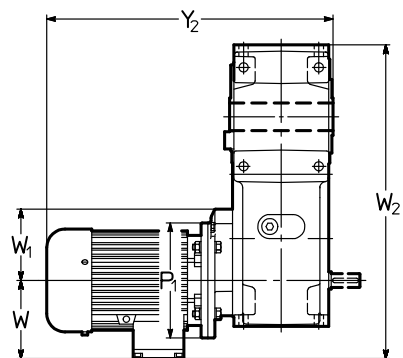
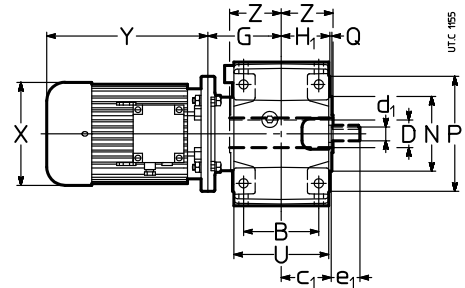
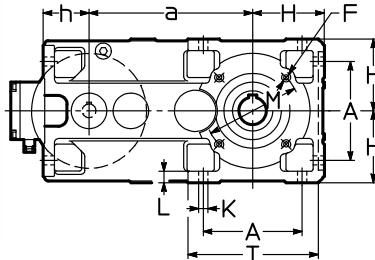
1) See also ch. 6 page 43.

- ▼ oil filler plug
- oil level plug
- oil drain plug
- oil filler plug with oil level dip stick
- ▼ oil drain plug on opposite side (not in view)
- oil level plug on opposite side (not in view)
- oil drain plug on opposite side (not in view)

12.4 - Gearmotors MR 2I – Long model

Dimensions

MR 2I 80 ... 125 – Long model



Red.	Mot.	a	A	B	c ₁	D Ø H7	d ₁ Ø	e ₁	F	G	H h11	H ₁ h11	h Ø	K Ø	L Ø	M Ø	N Ø h6	P Ø	Q	T	U	Z	P ₁ Ø	X Ø	Y ≈	Y ₂ ≈	W ≈	W ₁	W ₂ ≈	kg			
	B5							1)																	2)	2)				2)			
80	90	225	132	106	72	38	19	40	M10	108	100	69,5	70	14	17	130	110	160	3,5	180	135	75	200	176	287	366	470	549	141	100	466	54	60
81	100⁴⁾					(80)																	250	194	310	405	493	588	151	125	476	59	66
	112⁴⁾					40																	250	218	336	435	519	618	163	125	488	74	81
100	90	284,7	172	131	87	48	24	50	M12	130	125	84,5	80,3	16	20	165	130	200	3,5	228	165	90	200	176	287	366	507	586	141	125	551	76	82
	100																						250	194	310	405	530	625	151	125	561	83	89
	112																						250	218	336	435	556	655	163	125	573	95	104
	132⁴⁾									150													300	257	445	553	685	793	194	150	604	131	143
125	112	358	212	162	107	60	28	60	3)	159	150	103,5	100	18	23	215	180	250	4	274	201	110	250	218	336	435	605	704	163	166	671	136	145
	132									164													300	257	445	553	719	827	194	166	702	172	184
	160									179													350	315	539	540	630	829	919	240	748	229	266
	180																						350	354	360	590	725	879	1014	175	786	346	394

1) Working length of thread 2 · F.

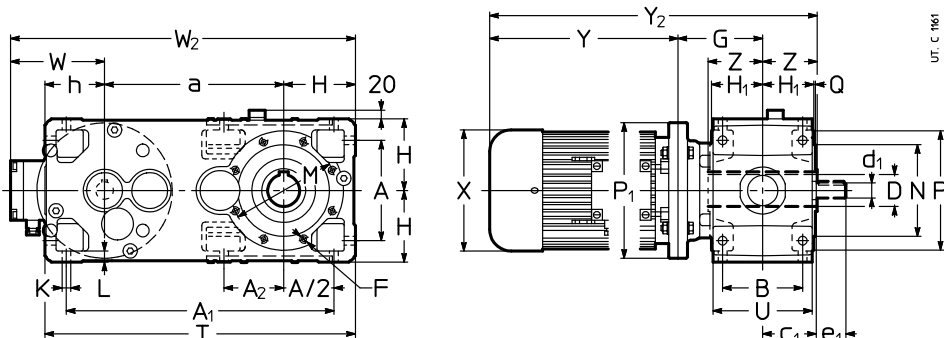
2) Values valid for brake motor.

3) For dimension, number and angular position see ch. 6.

4) On request for 100LB 4, 112M 4 and 132M 4 also mounting position **B5R** (see ch. 1.2; dimensions Y and Y₂ increase by 27 mm, 26 mm and 35 mm, respectively).



MR 2I 140 ... 225 – Long model



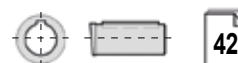
Red.	Mot.	a	A	A ₁	A ₂	B	c ₁	D Ø H7	d ₁ Ø	e ₁	F	G	H h11	H ₁	h h11	K Ø	L	M Ø	N Ø h6	P Ø	T	Z	P ₁ Ø	X Ø ≈	Y ≈	Y ₂ ≈ ²⁾	W ≈	W ₂ ≈	kg			
	B5										1)																			2)		
140	132	373	212	560	127	162	107	70	28	60	4)	159	150	103,5	125	18	23	265	230	300	648	125	300	257	445	553	729	837	194	717	204	216
	160											179											350	315	540	630	844	934	240	763	261	298
	180																						350	360	590	725	894	1029	278	801	378	426
	200																						350	400	650	760	954	1064	310	833	373	421
160	160	450	252	672	-	201	132	80	38	80	M16	204	180	128,5	150	22	28	265	230	300	780	136	350	315	540	630	880	970	240	870	341	378
	180											194							4				350	360	590	725	930	1065	278	908	458	506
	200											224											400	400	650	760	980	1090	310	940	453	501
	225																						450	450	680	-	1040	-	330	960	548	-
180	180	470	252	692	170	201	132	90	38	80	M16	204	180	128,5	150	22	28	300	250	350	800	150	350	360	590	725	944	1079	278	928	476	524
	200											194							5				400	400	650	760	994	1104	310	960	471	519
	225											224											450	450	680	-	1054	-	330	980	566	-
	250																						450	485	736	-	1110	-	375	1025	709	-
200	200	556	320	831	-	250	162	100	48	110	4)	225	225	158,0	180	27	34	350	300	400	961	167	400	400	650	760	1042	1152	310	1091	606	654
	225											255							5				450	450	680	-	1102	-	330	1111	701	-
	250																						550	485	736	-	1158	-	375	1156	844	-
	280																						550	550	928	-	1350	-	405	1186	1053	-
225	225	581	320	856	223	250	162	110	48	110	M20	255	225	158,0	180	27	34	400	350	450	986	180	450	450	680	-	1115	-	330	1136	733	-
	250																		5				550	485	736	-	1171	-	375	1181	876	-
	280																						550	550	928	-	1363	-	405	1211	1085	-
	315³⁾																						550	620	1015	-	1450	-	530	1336	1378	-

1) Working length of thread 2 · F.

2) Values valid for brake motor.

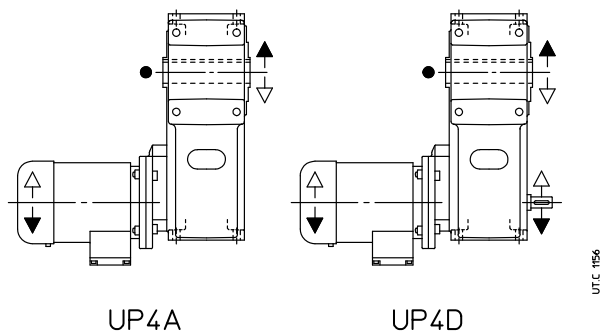
3) Mounting position **B5R** (see ch. 1.2), brake motor is not possible. Moreover for size **315S** the following dimensions will be reduced: dimension **X**: Ø 490, dimension **Y**: 820, dimension **W**: 360, mass: 1102 kg.

4) For dimension, number and angular position see ch. 6.

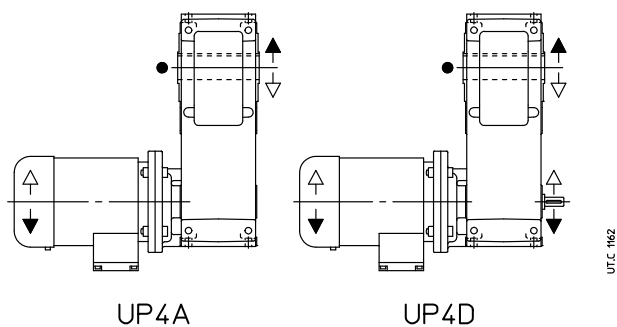


Designs¹⁾ (direction of rotation)

MR 2I 80 ... 125 – Long model



MR 2I 140 ... 225 – Long model

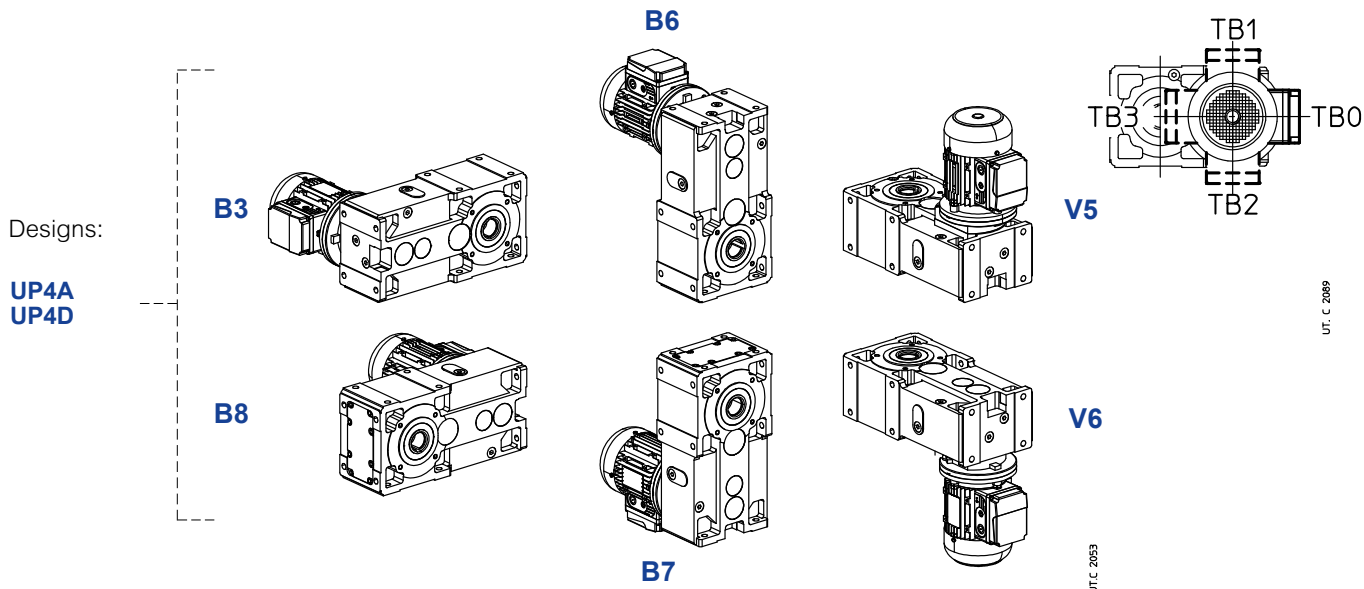


● Position of reference groove (see ch. 6) for radial load verification.
1) For motor design see ch. 2.

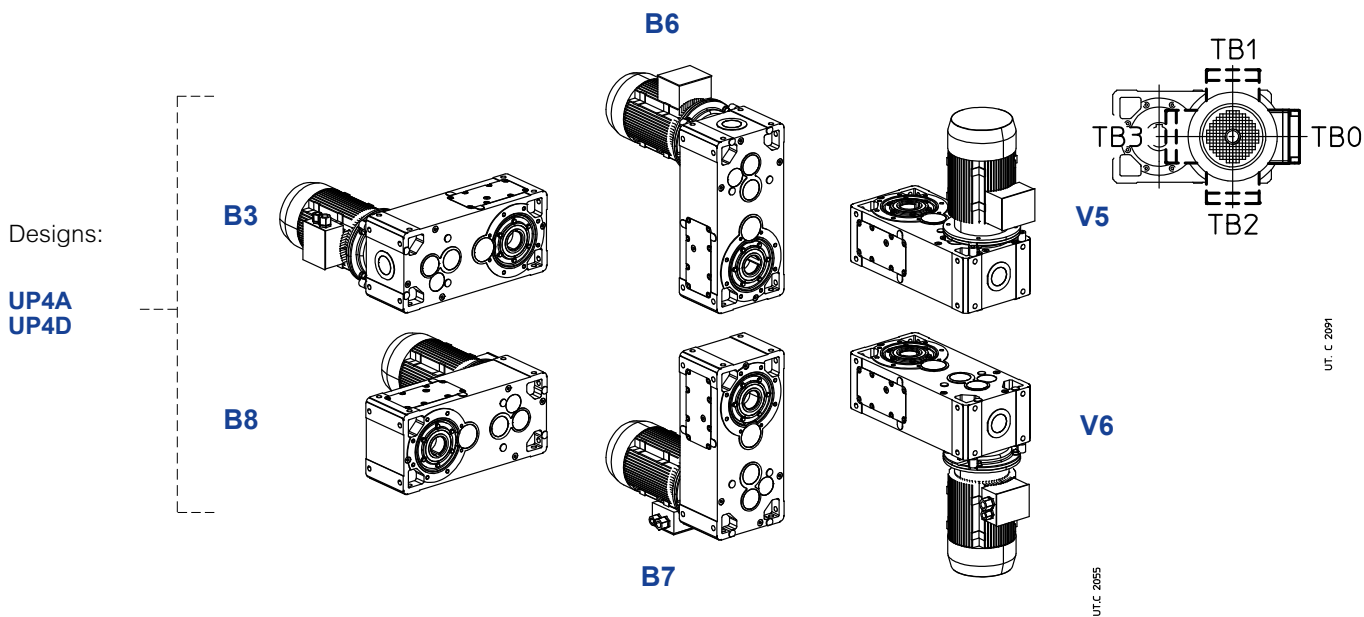
Mounting positions

Unless otherwise stated, gear reducers are supplied in mounting position **B3** (see ch. 2).

MR 2I 80 ... 125 – Long model



MR 2I 140 ... 225 – Long model



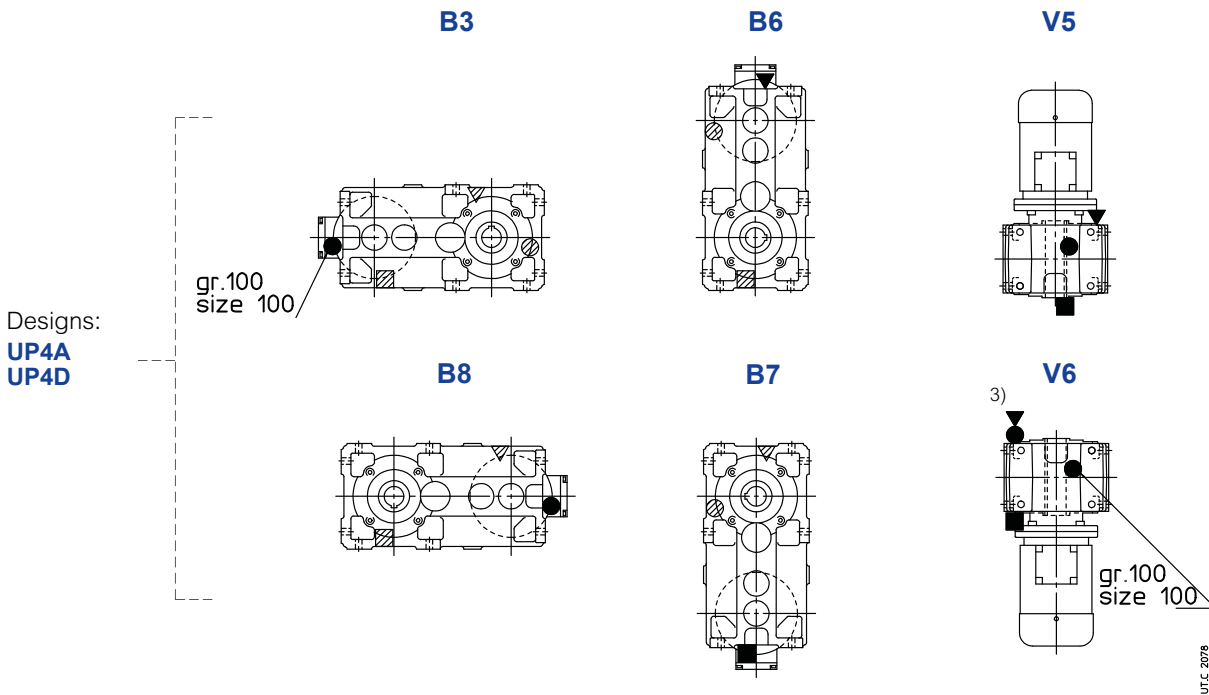
Oil quantity MR 2I 100 ... 225 – Long model

Lubricant quantities [l] stated in the table are approximate for provisioning. The exact oil quantity the gear reducer is to be filled with is defined by the level plug.

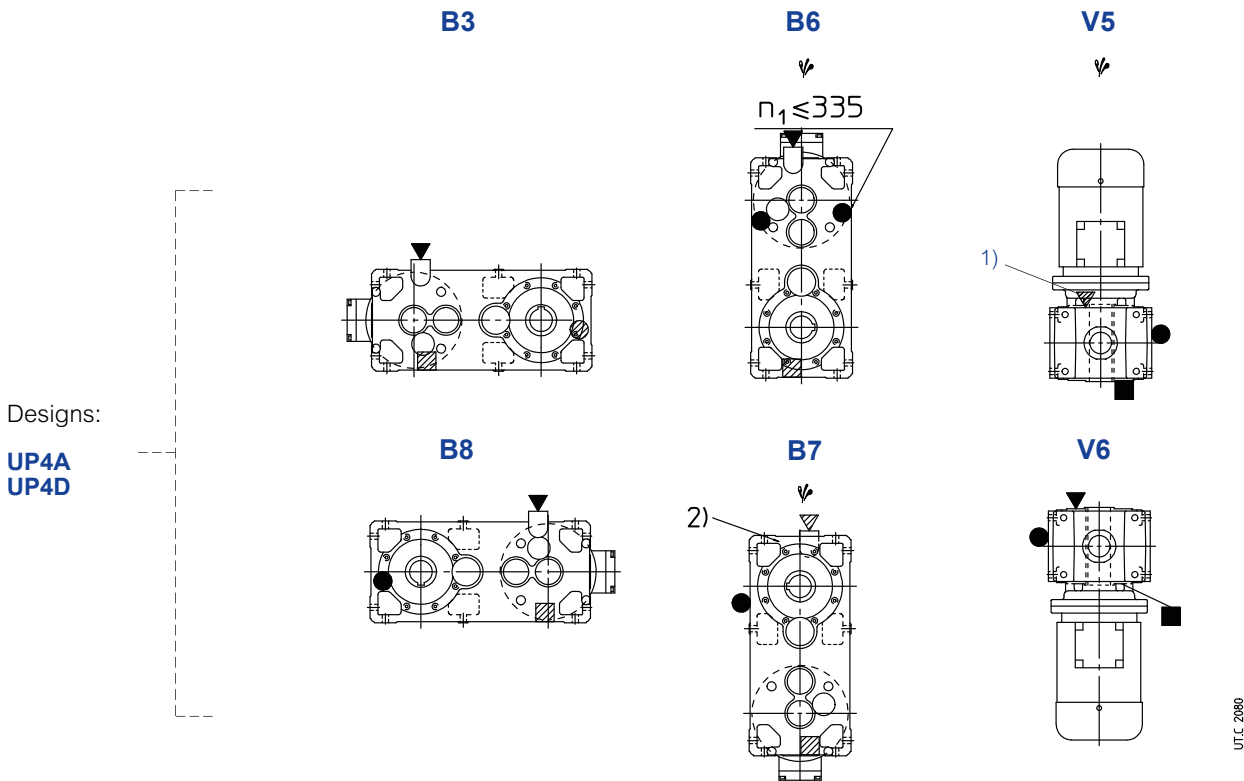
Mounting position	80, 81	100	125	140	160	180	200	225
B3	2,0	4,2	8	8,8	16	17,4	33	34
B8	2,0	4,2	8	12	20	21	38	40
B7	3,1	7,6	14	15,6	28	29,4	55	57
B6	3,1	7,6	14	15,6	28	29,4	55	57
V5	3,1	6,6	12	13,6	24	25,4	48	50
V6	3,1	6,6	12	13,6	24	25,4	48	50

Lubrication details

MR 2I 100 ... 125 – Long model



MR 2I 140 ... 225 – Long model



- 1) Oil filler plug possible also on low speed shaft side.
 - 2) Oil filler plug possible also on opposite side.
 - 3) See also ch. 6 page. 43.
- ▼ Possible high oil splash: for the corrective factor f_{t_3} of nominal thermal power P_{t_N} see ch. 4.

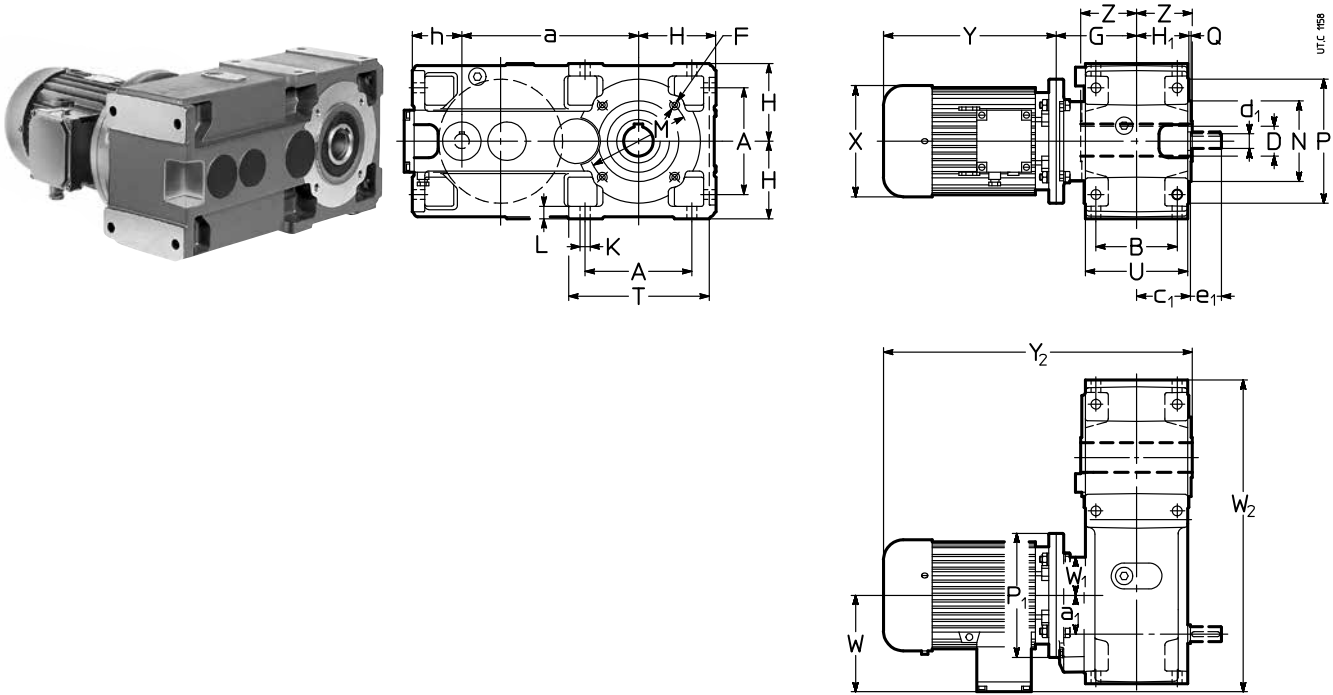
- ▼ oil filler plug
- oil level plug
- oil drain plug
- oil filler plug with oil level dip stick
- ▼ oil filler plug on opposite side (not in view)
- oil level plug on opposite side (not in view)
- oil drain plug on opposite side (not in view)

This page is intentionally left blank.

12.5 - Gearmotors MR 3I – Long model

Dimensions

MR 3I 80 ... 125 – Long model



Red.	Mot.	a	A	B	c ₁	D Ø H7	d ₁ Ø	e ₁	F	G	H	H ₁	h h11	K Ø	L	M Ø	N Ø h6	P	Q	T	U	Z	P ₁ Ø	X Ø z	Y z	Y ₂ z	W z	W ₁	W ₂ z	kg			
	B5	a ₁							1)		h11	h11													2)	2)				2)			
80 81	71	225	132	106	72	38	19	40	M10	108	100	69,5	70	14	17	130	110	160	3,5	180	135	75	160	138	216	278	399	461	112	50	395	41	44
	80	50				(80)																	200	156	233	302	416	485	121	50	396	47	51
	90																						200	176	287	366	470	549	141	50	416	54	60
	100					40 (81)																	200	194	337	432	520	615	151	50	426	61	68
100	80	284,7	172	131	87	48	24	50	M12	130	125	84,5	80,3	16	20	165	130	200	3,5	228	165	90	200	156	233	302	453	522	121	62	490	72	76
	90	63																					200	176	287	366	507	586	141	62	490	77	83
	100																						250	194	310	405	530	625	151	62	498	84	90
	112																						250	218	336	435	556	655	163	62	510	96	105
125	90	358	212	162	107	60	28	60	3)	159	150	103,5	100	18	23	215	180	250	4,0	274	201	110	200	176	287	366	556	635	141	86	608	125	131
	100	80																					250	194	310	405	579	674	151	86	608	132	138
	112																						250	218	336	435	605	704	163	86	608	144	153
	132									164													300	257	445	553	719	827	194	86	622	180	192

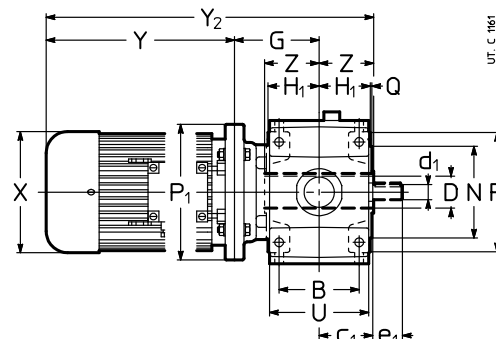
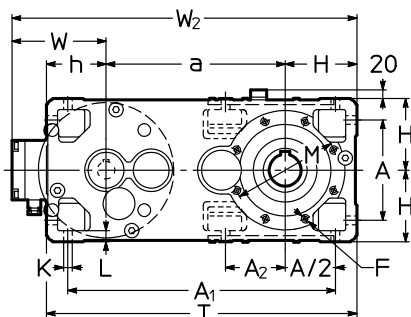
1) Working length of thread 2 · F.

2) Values valid for brake motor.

3) For dimension, number and angular position see ch. 6.

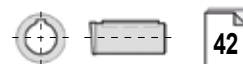


MR 3I 140 ... 225 – Long model



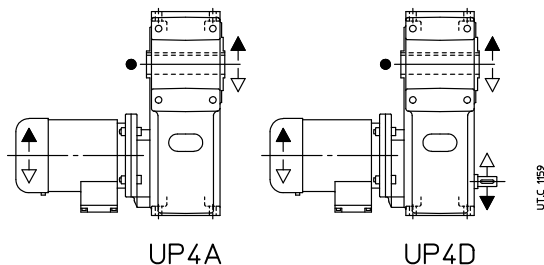
Red.	Mot. B5	a	A	A ₁	A ₂	B	c ₁	D Ø H7	d ₁ Ø	e ₁	F	G	H	H ₁	h	K Ø	L	M Ø	N Ø h6	P Ø	T	Z	P ₁ Ø	X Ø	Y ≈	Y ₂ ≈	W ≈	W ₂ ≈	kg			
		1)	h11	h11	Q	U	2)	2)	2)																							
140	100	373	212	560	127	162	107	70	24	50	4)	134	150	103,5	125	18	23	265	230	300	648	125	250	194	310	405	569	664	151	674	156	162
	112											159							230	300	201		250	218	336	435	595	694	163	686	168	177
	132																		230	300			300	257	445	553	729	837	194	717	204	216
	160 ³⁾																		230	300			300	315	540	630	844	934	240	763	261	298
160	100	450	252	672	-	201	132	80	28	60	M16	179	180	128,5	150	22	28	265	230	300	780	136	250	194	310	405	625	720	151	781	236	242
	112																		230	300	249		250	218	336	435	651	750	163	793	248	257
	132											204							230	300			300	257	445	553	760	868	194	824	284	296
	160																		230	300			350	315	540	630	880	970	240	870	341	378
180	112	470	252	692	170	201	132	90	28	60	M16	179	180	128,5	150	22	28	300	250	350	800	150	250	218	336	435	665	764	163	813	266	275
	132																		250	350	249		300	257	445	553	774	882	194	844	302	314
	160											204							250	350			350	315	540	630	894	984	240	890	359	396
	180																		250	350			350	360	590	725	944	1079	278	928	476	524
200	132	556	320	831	-	250	162	100	38	80	4)	225	225	158,0	180	27	34	350	300	400	961	167	300	257	445	553	837	945	194	975	437	449
	160																		300	400	307		350	315	540	630	932	1022	240	1021	494	531
	180																		300	400			350	360	590	725	982	1117	278	1059	611	659
	200																		300	400			400	400	650	760	1042	1152	310	1091	606	654
225	132	581	320	856	223	250	162	110	38	80	M20	225	225	158,0	180	27	34	400	350	450	986	180	300	257	445	553	850	958	194	1000	469	481
	160																		350	450	307		350	315	540	630	945	1035	240	1046	526	563
	180																		350	450			350	360	590	725	995	1130	278	1084	643	691
	200																		350	450			400	400	650	760	1055	1165	310	1116	638	686
225	225											255							350	450			450	450	680	-	1115	-	330	1136	733	-
	250 ³⁾																		350	450			450	485	736	-	1171	-	375	1181	876	-

1) Working length of thread 2 · F.
 2) Values valid for brake motor.
 3) Mounting position **B5R** (see ch. 1.2).
 4) For dimension, number and angular position see ch. 6.

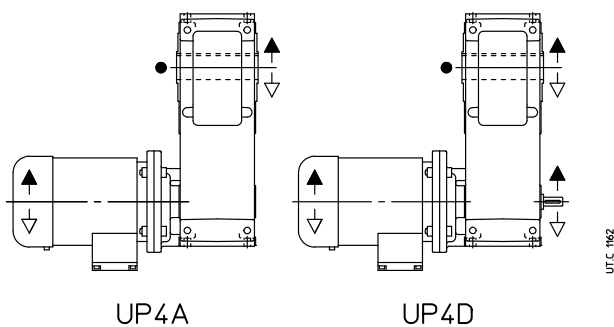


Designs¹⁾ (direction of rotation)

MR 3I 80 ... 125 – Long model



MR 3I 140 ... 225 – Long model

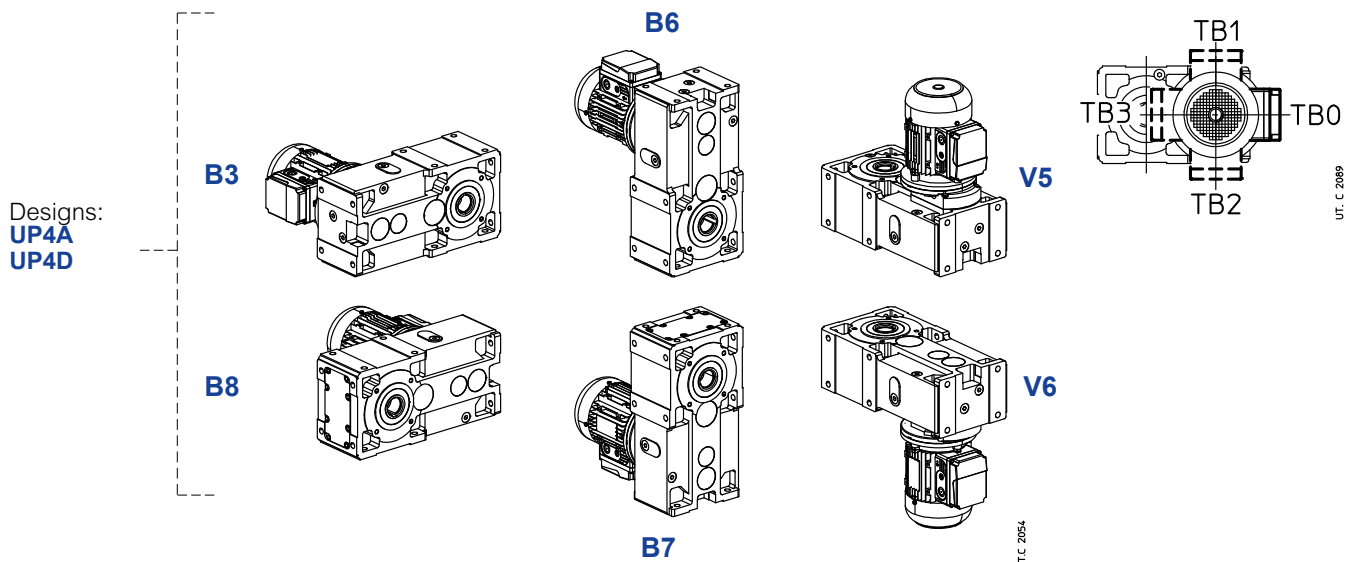


● Position of reference groove (see ch. 6) for radial load verification.
1) For motor design see ch. 2.

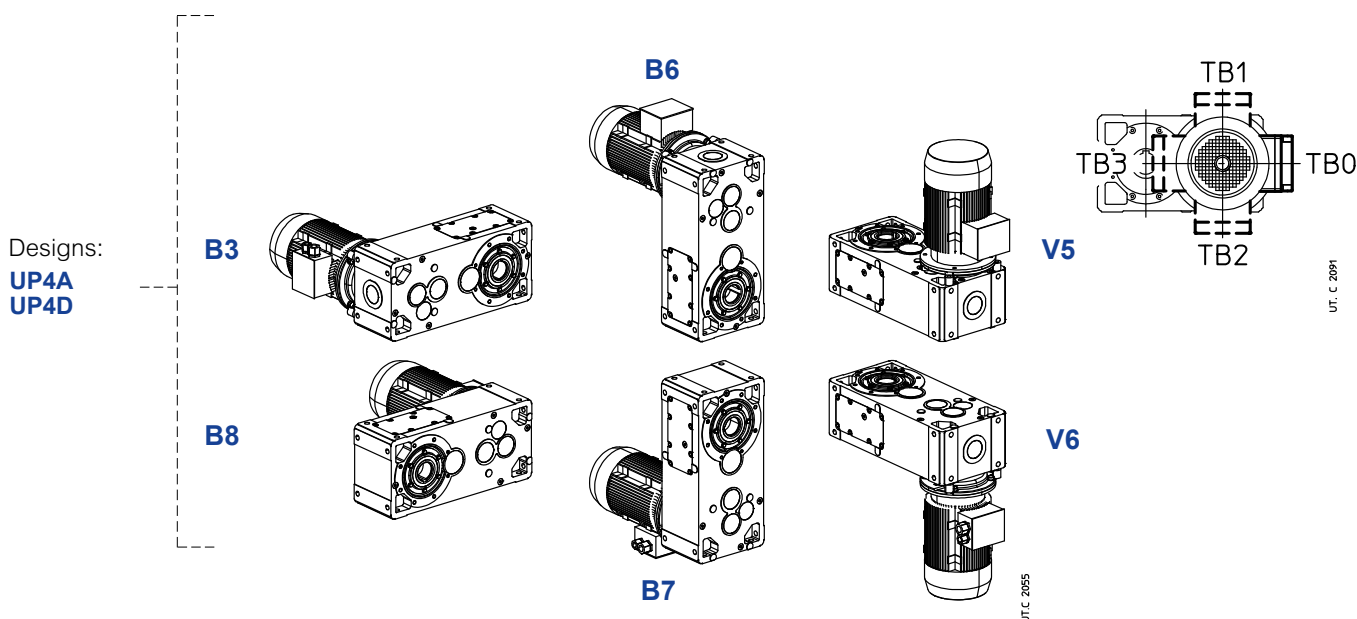
Mounting positions

Unless otherwise stated, gear reducers are supplied in mounting position **B3** (see ch. 2).

MR 3I 80 ... 125 – Long model



MR 3I 140 ... 225 – Long model



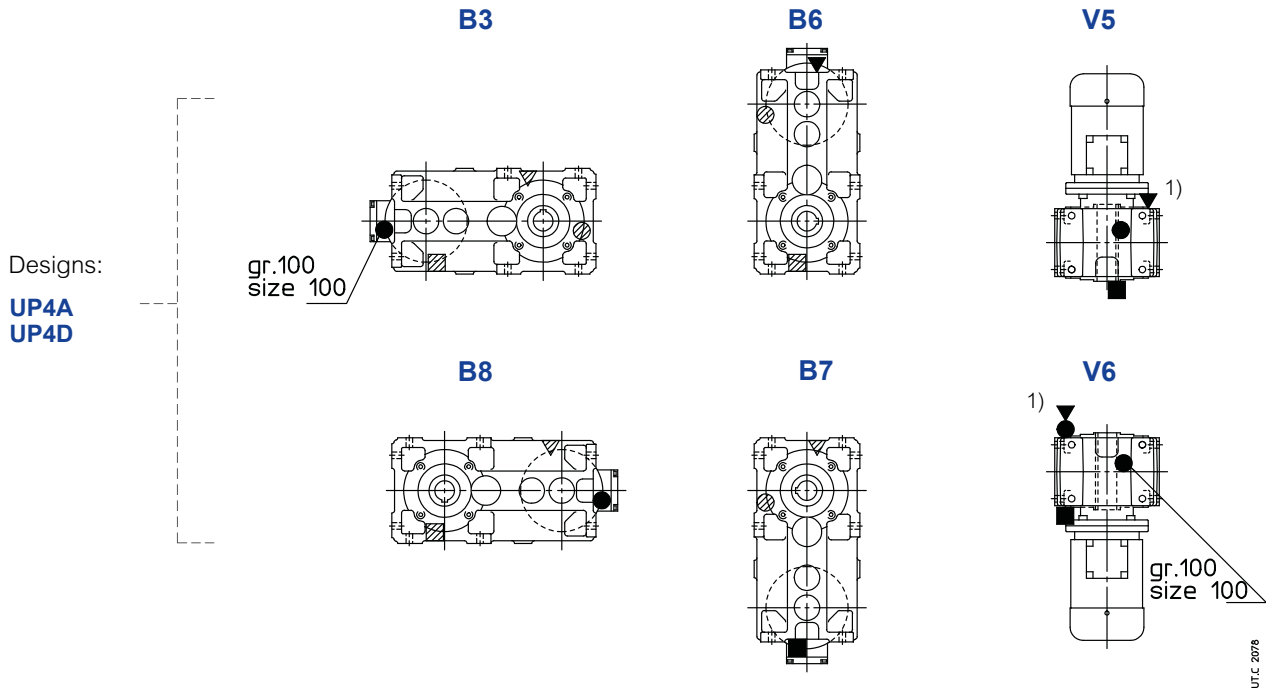
Oil quantity MR 3I 80 ... 225 – Long model

Lubricant quantities [l] stated in the table are approximate for provisioning. The exact oil quantity the gear reducer is to be filled with is defined by the level plug.

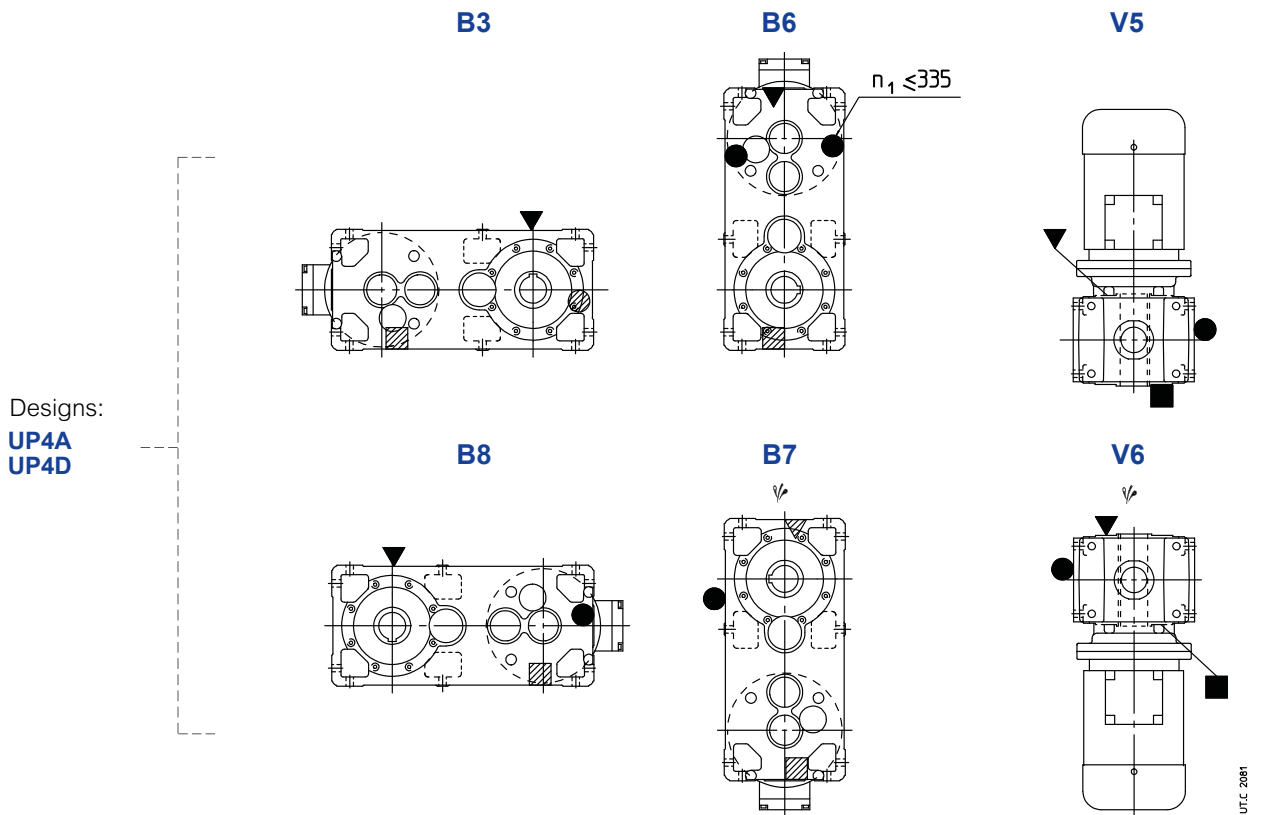
Mounting position	80, 81	100	125	140	160	180	200	225
B3	2,3	4,3	8,3	8,8	16	17,4	33	34
B8	2,3	4,3	8,3	12,6	22	23,4	44	46
B6	3,9	8,3	16	15,6	28	29,4	55	57
B7	3,3	8,3	16	15,6	28	29,4	55	57
V5	3,3	6,5	12	13,6	24	25,4	48	50
V6	3,3	6,5	12	13,6	24	25,4	48	50

Lubrication details

MR 3I 100 ... 125 – Long model



MR 3I 140 ... 225 – Long model

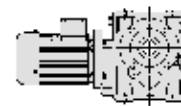


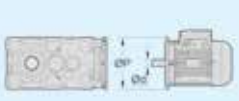
▽ Possible high oil splash: for the corrective factor f_{t3} of nominal thermal power P_{tN} see ch. 4.


1) See also ch. 6 page 43.

- ▼ oil filler plug
- oil level plug
- oil drain plug
- oil filler plug with oil level dip stick
- ▽ oil filler plug on opposite side (not in view)
- oil level plug on opposite side (not in view)
- oil drain plug on opposite side (not in view)

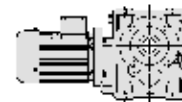
13 – Bevel helical gearmotor selection tables




P_1 kW 1)	n_2 min ⁻¹	M_2 N m	f_s	 2)	i	
0,09	4,28	185	1	MR C3I 50 - 11 × 140 63 A 6	210	
	5,25	151	1,18	MR C3I 50 - 11 × 140 63 A 6	171	
	6,66	119	1,7	MR C3I 50 - 11 × 140 63 A 6	135	
	10,7	76	2,12	MR ICI 50 - 11 × 140 63 A 6	84,3	
	11,9	68	1,06	MR ICI 40 - 11 × 140 63 A 6	75,8	
	13,3	61	2,65	MR ICI 50 - 11 × 140 63 A 6	67,5	
	14,4	56	1,18	MR ICI 40 - 11 × 140 63 A 6	62,5	
	16,4	49,3	3,35	MR ICI 50 - 11 × 140 63 A 6	54,9	
	18,8	42,9	2	MR ICI 40 - 11 × 140 63 A 6	47,8	
	22,8	35,4	2,65	MR ICI 40 - 11 × 140 63 A 6	39,4	
	29,5	27,4	2,65	MR ICI 40 - 11 × 140 63 A 6	30,5	
	34,4	24	2,8	MR CI 40 - 11 × 140 63 A 6	26,2	
	41,5	19,9	3,55	MR CI 40 - 11 × 140 63 A 6	21,7	
	50,4	16,4	4	MR CI 40 - 11 × 140 63 A 6	17,9	
	65,9	12,5	6,7	MR CI 40 - 11 × 140 63 A 6	13,7	
	79,9	10,3	8,5	MR CI 40 - 11 × 140 63 A 6	11,3	
	0,12	5,25	201	0,85	MR C3I 50 - 11 × 140 63 B 6	171
6,65		158	1,12	MR C3I 50 - 11 × 140 63 A 4	210	
6,66		158	1,32	MR C3I 50 - 11 × 140 63 B 6	135	
8,17		129	1,32	MR C3I 50 - 11 × 140 63 A 4	171	
10,4		102	2	MR C3I 50 - 11 × 140 63 A 4	135	
10,7		101	1,6	MR ICI 50 - 11 × 140 63 B 6	84,3	
11,9		91	0,8	MR ICI 40 - 11 × 140 63 B 6	75,8	
13,3		81	2	MR ICI 50 - 11 × 140 63 B 6	67,5	
14,4		75	0,9	MR ICI 40 - 11 × 140 63 B 6	62,5	
16,6		65	2,36	MR ICI 50 - 11 × 140 63 A 4	84,3	
18,5		58	1,18	MR ICI 40 - 11 × 140 63 A 4	75,8	
18,8		57	1,5	MR ICI 40 - 11 × 140 63 B 6	47,8	
20,8		52	3	MR ICI 50 - 11 × 140 63 A 4	67,5	
22,4		48,1	1,4	MR ICI 40 - 11 × 140 63 A 4	62,5	
22,8		47,2	2	MR ICI 40 - 11 × 140 63 B 6	39,4	
25,5		42,3	4	MR ICI 50 - 11 × 140 63 A 4	54,9	
29,3		36,8	2,24	MR ICI 40 - 11 × 140 63 A 4	47,8	
34,4		32	2,12	MR CI 40 - 11 × 140 63 B 6	26,2	
35,5		30,3	3	MR ICI 40 - 11 × 140 63 A 4	39,4	
41,5		26,5	2,65	MR CI 40 - 11 × 140 63 B 6	21,7	
45,9		23,5	3	MR ICI 40 - 11 × 140 63 A 4	30,5	
53,5		20,6	3,35	MR CI 40 - 11 × 140 63 A 4	26,2	
64,6		17	4	MR CI 40 - 11 × 140 63 A 4	21,7	
78,4		14	4,5	MR CI 40 - 11 × 140 63 A 4	17,9	
102		10,7	7,5	MR CI 40 - 11 × 140 63 A 4	13,7	
		124	8,9	10	MR CI 40 - 11 × 140 63 A 4	11,3
		161	6,9	10	MR CI 40 - 11 × 140 63 A 4	8,72
0,18	2,29	690	0,9	MR C3I 81 - 14 × 160 71 A 6	393	
	2,74	578	1	MR C3I 80 - 14 × 160 71 A 6	329	
	2,74	578	1,12	MR C3I 81 - 14 × 160 71 A 6	329	
	3,42	463	1,4	MR C3I 80 - 14 × 160 71 A 6	263	
	3,42	463	1,6	MR C3I 81 - 14 × 160 71 A 6	263	
	4,44	356	1,06	MR C3I 64 - 14 × 160 71 A 6	202	
	4,27	370	2	MR C3I 80 - 14 × 160 71 A 6	211	
	4,27	370	2,24	MR C3I 81 - 14 × 160 71 A 6	211	
	5,56	285	1,12	MR C3I 63 - 14 × 160 71 A 6	162	
	5,56	285	1,25	MR C3I 64 - 14 × 160 71 A 6	162	
	5,33	296	2,24	MR C3I 80 - 14 × 160 71 A 6	169	
	7,05	224	1,8	MR C3I 63 - 14 × 160 71 A 6	128	
	7,05	224	2,12	MR C3I 64 - 14 × 160 71 A 6	128	
	7,58	213	1,12	MR ICI 63 - 14 × 160 71 A 6	119	
	7,58	213	1,4	MR ICI 64 - 14 × 160 71 A 6	119	
	7,29	222	2,5	MR ICI 80 - 14 × 160 71 A 6	124	

P_1 kW 1)	n_2 min ⁻¹	M_2 N m	f_s	 2)	i
0,18	8,17	194	0,9	MR C3I 50 - 11 × 140 63 B 4	171
	9,19	172	1,18	MR C3I 50 - 14 × 160 71 A 6	97,9
	9,47	171	1,6	MR ICI 63 - 14 × 160 71 A 6	95
	9,47	171	2	MR ICI 64 - 14 × 160 71 A 6	95
	9,11	177	3,35	MR ICI 80 - 14 × 160 71 A 6	98,8
	10,4	153	1,32	MR C3I 50 - 11 × 140 63 B 4	135
	11,3	143	1,9	MR ICI 63 - 14 × 160 71 A 6	79,5
	14,7	110	1,4	MR ICI 50 - 14 × 160 71 A 6	61,1
	14,1	114	2,36	MR ICI 63 - 14 × 160 71 A 6	63,6
	16,6	97	1,6	MR ICI 50 - 11 × 140 63 B 4	84,3
	17,7	91	3,35	MR ICI 63 - 14 × 160 71 A 6	50,9
	18,5	88	0,8	MR ICI 40 - 11 × 140 63 B 4	75,8
	19,9	81	0,85	MR ICI 40 - 14 × 160 71 A 6	45,3
	20,8	78	2	MR ICI 50 - 11 × 140 63 B 4	67,5
	22,4	72	0,95	MR ICI 40 - 11 × 140 63 B 4	62,5
	26	62	1,32	MR ICI 40 - 14 × 160 71 A 6	34,7
	25,5	63	2,65	MR ICI 50 - 11 × 140 63 B 4	54,9
	28,8	57	4	MR CI 63 - 14 × 160 71 A 6	31,3
	29,3	55	1,5	MR ICI 40 - 11 × 140 63 B 4	47,8
	31,5	51	1,8	MR ICI 40 - 14 × 160 71 A 6	28,6
	34,4	48	1,4	MR CI 40 - 14 × 160 71 A 6	26,2
	32,3	50	3,55	MR ICI 50 - 11 × 140 63 B 4	43,3
	37,4	44,2	3,15	MR CI 50 - 14 × 160 71 A 6	24,1
	35,5	45,5	2	MR ICI 40 - 11 × 140 63 B 4	39,4
	40,7	39,7	1,8	MR ICI 40 - 14 × 160 71 A 6	22,1
	41,5	39,7	1,7	MR CI 40 - 14 × 160 71 A 6	21,7
		45,9	35,2	2	MR ICI 40 - 11 × 140 63 B 4
53,5	30,9	2,24	MR CI 40 - 11 × 140 63 B 4	26,2	
64,6	25,5	2,65	MR CI 40 - 11 × 140 63 B 4	21,7	
78,4	21	3,15	MR CI 40 - 11 × 140 63 B 4	17,9	
102	16,1	5	MR CI 40 - 11 × 140 63 B 4	13,7	
124	13,3	6,7	MR CI 40 - 11 × 140 63 B 4	11,3	
161	10,3	6,7	MR CI 40 - 11 × 140 63 B 4	8,72	
0,25	3,56	617	0,9	MR C3I 80 - 14 × 160 71 A 4	393
	3,56	617	1	MR C3I 81 - 14 × 160 71 A 4	393
	4,25	516	1,06	MR C3I 80 - 14 × 160 71 A 4	329
	4,25	516	1,18	MR C3I 81 - 14 × 160 71 A 4	329
	5,53	397	0,9	MR C3I 64 - 14 × 160 71 A 4	253
	5,32	413	1,5	MR C3I 80 - 14 × 160 71 A 4	263
	5,32	413	1,7	MR C3I 81 - 14 × 160 71 A 4	263
	6,91	318	0,85	MR C3I 63 - 14 × 160 71 A 4	202
	6,91	318	1,06	MR C3I 64 - 14 × 160 71 A 4	202
	7,05	312	1,25	MR C3I 63 - 14 × 160 71 B 6	128
	7,05	312	1,6	MR C3I 64 - 14 × 160 71 B 6	128
	7,58	296	1	MR ICI 64 - 14 × 160 71 B 6	119
	6,65	330	2,24	MR C3I 80 - 14 × 160 71 A 4	211
	6,65	330	2,5	MR C3I 81 - 14 × 160 71 A 4	211
	7,29	308	1,8	MR ICI 80 - 14 × 160 71 B 6	124
	7,29	308	2	MR ICI 81 - 14 × 160 71 B 6	124
	8,64	254	1,25	MR C3I 63 - 14 × 160 71 A 4	162
	8,64	254	1,4	MR C3I 64 - 14 × 160 71 A 4	162
	9,47	237	1,12	MR ICI 63 - 14 × 160 71 B 6	95
	9,47	237	1,4	MR ICI 64 - 14 × 160 71 B 6	95
	8,3	265	2,5	MR C3I 80 - 14 × 160 71 A 4	169
	9,11	246	2,36	MR ICI 80 - 14 × 160 71 B 6	98,8
	9,11	246	2,8	MR ICI 81 - 14 × 160 71 B 6	98,8
	11,3	195	0,9	MR C3I 50 - 14 × 160 71 A 4	124
	11	200	2	MR C3I 63 - 14 × 160 71 A 4	128
	11	200	2,36	MR C3I 64 - 14 × 160 71 A 4	128
	11,8	190	1,25	MR ICI 63 - 14 × 160 71 A 4	119
11,8	190	1,6	MR ICI 64 - 14 × 160 71 A 4	119	
11,3	198	1,4	MR ICI 63 - 14 × 160 71 B 6	79,5	
11,3	198	1,7	MR ICI 64 - 14 × 160 71 B 6	79,5	
11,3	198	2,8	MR ICI 80 - 14 × 160 71 A 4	124	
11,3	198	3	MR ICI 81 - 14 × 160 71 A 4	124	

1) Powers valid for continuous duty S1; **increase possible** for duty cycles S2 ... S10 (see ch. 1 «General specifications»): in which case M_2 increases and f_s decreases.
 2) For complete designation when ordering see ch. 2.

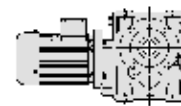


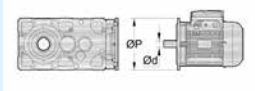
P_1	n_2	M_2	f_s		i		
kW	min ⁻¹	N m		2)			
1)							
0,25	14,3	154	1,32	MR C3I 50 - 14 × 160	71 A 4	97,9	
	14,7	152	1	MR ICI 50 - 14 × 160	71 B 6	61,1	
	14,7	152	1,8	MR ICI 63 - 14 × 160	71 A 4	95	
	14,7	152	2,24	MR ICI 64 - 14 × 160	71 A 4	95	
	14,2	158	3,75	MR ICI 80 - 14 × 160	71 A 4	98,8	
	17,2	128	1,5	MR C3I 50 - 14 × 160	71 A 4	81,5	
	16,6	135	1,18	MR ICI 50 - 11 × 140	63 C 4	84,3	
	17,6	128	2,12	MR ICI 63 - 14 × 160	71 A 4	79,5	
	20,8	108	1,4	MR ICI 50 - 11 × 140	63 C 4	67,5	
	22,9	98	1,6	MR ICI 50 - 14 × 160	71 A 4	61,1	
	22	102	2,65	MR ICI 63 - 14 × 160	71 A 4	63,6	
	25,5	88	0,8	MR ICI 40 - 14 × 160	71 A 4	54,9	
	25,5	88	1,9	MR ICI 50 - 11 × 140	63 C 4	54,9	
	28,6	78	2	MR ICI 50 - 14 × 160	71 A 4	48,9	
	27,5	82	3,55	MR ICI 63 - 14 × 160	71 A 4	50,9	
	28,8	80	3	MR CI 63 - 14 × 160	71 B 6	31,3	
	29,3	77	1,12	MR ICI 40 - 11 × 140	63 C 4	47,8	
	30,9	73	0,9	MR ICI 40 - 14 × 160	71 A 4	45,3	
	31,5	71	1,32	MR ICI 40 - 14 × 160	71 B 6	28,6	
	34,4	67	1	MR CI 40 - 14 × 160	71 B 6	26,2	
	35,2	64	2,65	MR ICI 50 - 14 × 160	71 A 4	39,8	
	37,4	61	2,24	MR CI 50 - 14 × 160	71 B 6	24,1	
	35,5	63	1,5	MR ICI 40 - 11 × 140	63 C 4	39,4	
	40,4	56	1,5	MR ICI 40 - 14 × 160	71 A 4	34,7	
	41,5	55	1,25	MR CI 40 - 14 × 160	71 B 6	21,7	
	44,6	50	3,55	MR ICI 50 - 14 × 160	71 A 4	31,4	
	46,7	49,1	3,15	MR CI 50 - 14 × 160	71 B 6	19,3	
	45,9	48,9	1,5	MR ICI 40 - 11 × 140	63 C 4	30,5	
	49	45,8	2	MR ICI 40 - 14 × 160	71 A 4	28,6	
	53,5	42,9	1,6	MR CI 40 - 11 × 140	63 C 4	26,2	
	53,5	42,9	1,6	MR CI 40 - 14 × 160	71 A 4	26,2	
	58,1	39,4	3,55	MR CI 50 - 11 × 140	63 C 4	24,1	
	58,1	39,4	3,55	MR CI 50 - 14 × 160	71 A 4	24,1	
	63,3	35,4	2	MR ICI 40 - 14 × 160	71 A 4	22,1	
	64,6	35,5	1,9	MR CI 40 - 11 × 140	63 C 4	21,7	
	64,6	35,5	1,9	MR CI 40 - 14 × 160	71 A 4	21,7	
	72,6	31,6	4,75	MR CI 50 - 11 × 140	63 C 4	19,3	
	72,6	31,6	4,75	MR CI 50 - 14 × 160	71 A 4	19,3	
	78,4	29,2	2,24	MR CI 40 - 11 × 140	63 C 4	17,9	
	78,4	29,2	2,24	MR CI 40 - 14 × 160	71 A 4	17,9	
	89,2	25,7	5,6	MR CI 50 - 11 × 140	63 C 4	15,7	
	89,2	25,7	5,6	MR CI 50 - 14 × 160	71 A 4	15,7	
	102	22,4	3,55	MR CI 40 - 11 × 140	63 C 4	13,7	
	102	22,4	3,55	MR CI 40 - 14 × 160	71 A 4	13,7	
	124	18,4	4,75	MR CI 40 - 11 × 140	63 C 4	11,3	
124	18,4	4,75	MR CI 40 - 14 × 160	71 A 4	11,3		
136	16,9	8,5	MR CI 50 - 14 × 160	71 A 4	10,3		
161	14,3	4,75	MR CI 40 - 11 × 140	63 C 4	8,72		
161	14,3	4,75	MR CI 40 - 14 × 160	71 A 4	8,72		
202	11,4	4,5	MR CI 40 - 11 × 140	63 C 4	6,94		
202	11,4	4,5	MR CI 40 - 14 × 160	71 A 4	6,94		
0,37	2,95	1101	1,06	MR C3I 100 - 19 × 200	80 A 6	305	
	3,69	881	1,5	MR C3I 100 - 19 × 200	80 A 6	244	
	4,27	761	1	MR C3I 81 - 14 × 160	71 C 6	211	
	4,61	705	2,12	MR C3I 100 - 19 × 200	80 A 6	195	
	5,32	611	1	MR C3I 80 - 14 × 160	71 B 4	263	
	5,32	611	1,18	MR C3I 81 - 14 × 160	71 B 4	263	
	5,67	574	2,36	MR C3I 100 - 19 × 200	80 A 6	159	
	6,47	513	2,65	MR ICI 100 - 19 × 200	80 A 6	139	
	7,05	461	0,95	MR C3I 64 - 14 × 160	71 C 6	128	
	6,65	489	1,5	MR C3I 80 - 14 × 160	71 B 4	211	
	6,65	489	1,7	MR C3I 81 - 14 × 160	71 B 4	211	
	7,29	456	1,18	MR ICI 80 - 14 × 160	71 C 6	124	
	7,29	456	1,32	MR ICI 81 - 14 × 160	71 C 6	124	
	7,86	422	2,65	MR ICI 100 - 19 × 200	80 A 6	114	
	0,37	8,64	376	0,85	MR C3I 63 - 14 × 160	71 B 4	162
		8,64	376	0,95	MR C3I 64 - 14 × 160	71 B 4	162
		8,83	368	1,32	MR C3I 64 - 19 × 200	80 A 6	102
		9,47	351	0,8	MR ICI 63 - 14 × 160	71 C 6	95
		9,47	351	0,95	MR ICI 64 - 14 × 160	71 C 6	95
		8,3	392	1,7	MR C3I 80 - 14 × 160	71 B 4	169
		8,3	392	1,9	MR C3I 81 - 14 × 160	71 B 4	169
		9,11	365	1,6	MR ICI 80 - 14 × 160	71 C 6	98,8
		9,11	365	1,9	MR ICI 81 - 14 × 160	71 C 6	98,8
		9,83	338	3,75	MR ICI 100 - 19 × 200	80 A 6	91,5
		11	297	1,32	MR C3I 63 - 14 × 160	71 B 4	128
		11	297	1,6	MR C3I 64 - 14 × 160	71 B 4	128
		11,8	282	0,85	MR ICI 63 - 14 × 160	71 B 4	119
		11,8	282	1,06	MR ICI 64 - 14 × 160	71 B 4	119
		11,3	294	0,95	MR ICI 63 - 14 × 160	71 C 6	79,5
		11,3	294	1,12	MR ICI 64 - 14 × 160	71 C 6	79,5
10,5		309	2,65	MR C3I 80 - 14 × 160	71 B 4	133	
11,3		293	1,8	MR ICI 80 - 14 × 160	71 B 4	124	
11,3		293	2,12	MR ICI 81 - 14 × 160	71 B 4	124	
10,9		305	1,9	MR ICI 80 - 14 × 160	71 C 6	82,7	
10,9		305	2,24	MR ICI 81 - 14 × 160	71 C 6	82,7	
14,7		225	1,18	MR ICI 63 - 14 × 160	71 B 4	95	
14,7		225	1,5	MR ICI 64 - 14 × 160	71 B 4	95	
14,2		234	2,5	MR ICI 80 - 14 × 160	71 B 4	98,8	
14,2		234	2,8	MR ICI 81 - 14 × 160	71 B 4	98,8	
18,4		180	0,85	MR ICI 50 - 14 × 160	71 C 6	48,9	
18,4		181	0,85	MR ICI 50 - 19 × 200	80 A 6	48,9	
17,6		189	1,4	MR ICI 63 - 14 × 160	71 B 4	79,5	
17,6		189	1,8	MR ICI 64 - 14 × 160	71 B 4	79,5	
16,9		196	3	MR ICI 80 - 14 × 160	71 B 4	82,7	
20,8	160	0,95	MR ICI 50 - 11 × 140	71 B *	67,5		
22,9	145	1,06	MR ICI 50 - 14 × 160	71 B 4	61,1		
22	151	1,8	MR ICI 63 - 14 × 160	71 B 4	63,6		
22	151	2,24	MR ICI 64 - 14 × 160	71 B 4	63,6		
28,6	116	1,32	MR ICI 50 - 14 × 160	71 B 4	48,9		
27,5	121	2,5	MR ICI 63 - 14 × 160	71 B 4	50,9		
28,8	118	2	MR CI 63 - 14 × 160	71 C 6	31,3		
28,8	118	2,24	MR CI 64 - 14 × 160	71 C 6	31,3		
28,8	118	2	MR CI 63 - 19 × 200	80 A 6	31,3		
28,8	118	2,24	MR CI 64 - 19 × 200	80 A 6	31,3		
35,2	94	1,7	MR ICI 50 - 14 × 160	71 B 4	39,8		
37,4	91	1,5	MR CI 50 - 14 × 160	71 C 6	24,1		
37,4	91	1,5	MR CI 50 - 19 × 200	80 A 6	24,1		
36	94	2,8	MR CI 63 - 14 × 160	71 C 6	25		
36	94	2,8	MR CI 63 - 19 × 200	80 A 6	25		
35,5	94	1	MR ICI 40 - 11 × 140	71 B *	39,4		
40,4	82	1	MR ICI 40 - 14 × 160	71 B 4	34,7		
41,5	82	0,85	MR CI 40 - 14 × 160	71 C 6	21,7		
44,6	74	2,36	MR ICI 50 - 14 × 160	71 B 4	31,4		
46,7	73	2,12	MR CI 50 - 14 × 160	71 C 6	19,3		
46,7	73	2,12	MR CI 50 - 19 × 200	80 A 6	19,3		
44,8	76	3	MR CI 63 - 14 × 160	71 B 4	31,3		
45,9	72	1	MR ICI 40 - 11 × 140	71 B *	30,5		
49	68	1,32	MR ICI 40 - 14 × 160	71 B 4	28,6		
53,5	63	1,06	MR CI 40 - 14 × 160	71 B 4	26,2		
58,1	58	2,36	MR CI 50 - 14 × 160	71 B 4	24,1		
63,3	52	1,32	MR ICI 40 - 14 × 160	71 B 4	22,1		
64,6	52	1,32	MR CI 40 - 14 × 160	71 B 4	21,7		
72,6	46,7	3,15	MR CI 50 - 14 × 160	71 B 4	19,3		
78,4	43,3	1,5	MR CI 40 - 14 × 160	71 B 4	17,9		
89,2	38	3,75	MR CI 50 - 14 × 160	71 B 4	15,7		
102	33,1	2,5	MR CI 40 - 14 × 160	71 B 4	13,7		
124	27,3	3,15	MR CI 40 - 14 × 160	71 B 4	11,3		
136	25	6	MR CI 50 - 14 × 160	71 B 4	10,3		
161	21,1	3,15	MR CI 40 - 14 × 160	71 B 4	8,72		
202	16,8	3	MR CI 40 - 14 × 160	71 B 4	6,94		

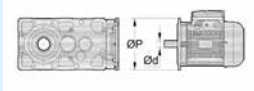
1) Powers valid for continuous duty S1; **increase possible** for duty cycles S2 ... S10 (see ch. 1 «General specifications»); in which case M_2 increases and f_s decreases.

2) For complete designation when ordering see ch. 2.

* Mounting position **B5R** (see ch. 1.2).



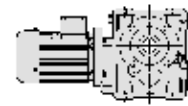
P_1 kW	n_2 min ⁻¹	M_2 N m	f_s		i
1)				2)	
0,55	3,69	1310	1	MR C3I 100 - 19 × 200 80 B 6	244
	4,59	1052	1,06	MR C3I 100 - 19 × 200 80 A 4	305
	4,61	1048	1,4	MR C3I 100 - 19 × 200 80 B 6	195
	5,74	842	1,5	MR C3I 100 - 19 × 200 80 A 4	244
	6,47	763	1,8	MR ICI 100 - 19 × 200 80 B 6	139
	6,65	727	0,85	MR C3I 80 - 14 × 160 71 C 4	211
	6,65	727	1	MR C3I 81 - 14 × 160 71 C 4	211
	6,67	725	0,85	MR C3I 80 - 19 × 200 80 A 4	210
	6,67	725	1	MR C3I 81 - 19 × 200 80 A 4	210
	7,18	673	2,24	MR C3I 100 - 19 × 200 80 A 4	195
	7,86	628	1,8	MR ICI 100 - 19 × 200 80 B 6	114
	8,3	582	1,12	MR C3I 80 - 14 × 160 71 C 4	169
	8,3	582	1,25	MR C3I 81 - 14 × 160 71 C 4	169
	8,33	580	1	MR C3I 80 - 19 × 200 80 A 4	168
	8,33	580	1,4	MR C3I 81 - 19 × 200 80 A 4	168
	8,81	548	2,5	MR C3I 100 - 19 × 200 80 A 4	159
	10,1	491	2,65	MR ICI 100 - 19 × 200 80 A 4	139
	11	441	0,95	MR C3I 64 - 14 × 160 71 C 4	128
	10,5	459	1,8	MR C3I 80 - 14 × 160 71 C 4	133
	10,5	459	2,12	MR C3I 81 - 14 × 160 71 C 4	133
	10,4	465	1,4	MR C3I 80 - 19 × 200 80 A 4	135
	10,4	465	1,6	MR C3I 81 - 19 × 200 80 A 4	135
	11,3	436	1,25	MR ICI 80 - 14 × 160 71 C 4	124
	11,3	436	1,4	MR ICI 81 - 14 × 160 71 C 4	124
	10,9	453	1,18	MR ICI 80 - 19 × 200 80 B 6	82,5
	10,9	453	1,32	MR ICI 81 - 19 × 200 80 B 6	82,5
	12,2	404	2,65	MR ICI 100 - 19 × 200 80 A 4	114
	13,7	352	0,9	MR C3I 63 - 19 × 200 80 A 4	102
	13,7	352	1,4	MR C3I 64 - 19 × 200 80 A 4	102
	14,7	335	0,8	MR ICI 63 - 14 × 160 71 C 4	95
	14,7	335	1	MR ICI 64 - 14 × 160 71 C 4	95
	14,2	348	0,8	MR ICI 63 - 19 × 200 80 B 6	63,5
	14,2	348	0,95	MR ICI 64 - 19 × 200 80 B 6	63,5
	13,2	366	2,24	MR C3I 80 - 19 × 200 80 A 4	106
	13,2	366	2,65	MR C3I 81 - 19 × 200 80 A 4	106
	14,2	348	1,7	MR ICI 80 - 14 × 160 71 C 4	98,8
	14,2	348	1,9	MR ICI 81 - 14 × 160 71 C 4	98,8
	13,6	362	1,6	MR ICI 80 - 19 × 200 80 B 6	66
	13,6	362	1,9	MR ICI 81 - 19 × 200 80 B 6	66
	15,3	323	4	MR ICI 100 - 19 × 200 80 A 4	91,5
	17,6	281	0,95	MR ICI 63 - 14 × 160 71 C 4	79,5
	17,6	281	1,18	MR ICI 64 - 14 × 160 71 C 4	79,5
	17,6	280	0,9	MR ICI 63 - 19 × 200 80 A 4	79,3
	17,6	280	1,06	MR ICI 64 - 19 × 200 80 A 4	79,3
	17,7	279	1	MR ICI 63 - 19 × 200 80 B 6	50,8
	17,7	279	1,18	MR ICI 64 - 19 × 200 80 B 6	50,8
	16,9	292	2	MR ICI 80 - 14 × 160 71 C 4	82,7
	16,9	292	2,24	MR ICI 81 - 14 × 160 71 C 4	82,7
	17	291	1,8	MR ICI 80 - 19 × 200 80 A 4	82,5
	17	291	2	MR ICI 81 - 19 × 200 80 A 4	82,5
	17	290	2	MR ICI 80 - 19 × 200 80 B 6	52,8
	17	290	2,36	MR ICI 81 - 19 × 200 80 B 6	52,8
	18,3	270	4,5	MR ICI 100 - 19 × 200 80 A 4	76,7
	22	224	1,18	MR ICI 63 - 14 × 160 71 C 4	63,6
	22	224	1,5	MR ICI 64 - 14 × 160 71 C 4	63,6
	22,1	224	1,18	MR ICI 63 - 19 × 200 80 A 4	63,5
	22,1	224	1,5	MR ICI 64 - 19 × 200 80 A 4	63,5
	21,2	233	2,5	MR ICI 80 - 19 × 200 80 A 4	66
	28,6	172	0,9	MR ICI 50 - 14 × 160 71 C 4	48,9
	28,6	172	0,9	MR ICI 50 - 19 × 200 80 A 4	48,9
	27,5	180	1,6	MR ICI 63 - 14 × 160 71 C 4	50,9
	27,5	180	1,9	MR ICI 64 - 14 × 160 71 C 4	50,9
	27,6	179	1,5	MR ICI 63 - 19 × 200 80 A 4	50,8
	27,6	179	1,9	MR ICI 64 - 19 × 200 80 A 4	50,8
	28,8	175	1,32	MR CI 63 - 19 × 200 80 B 6	31,3
	28,8	175	1,5	MR CI 64 - 19 × 200 80 B 6	31,3
	26,5	186	3,15	MR ICI 80 - 19 × 200 80 A 4	52,8
	27,7	182	2,65	MR CI 80 - 19 × 200 80 B 6	32,5

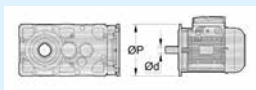
P_1 kW	n_2 min ⁻¹	M_2 N m	f_s		i
1)				2)	
0,55	35,2	140	1,18	MR ICI 50 - 14 × 160 71 C 4	39,8
	35,8	138	1,12	MR ICI 50 - 19 × 200 80 A 4	39,1
	37,4	135	1,06	MR CI 50 - 19 × 200 80 B 6	24,1
	34,5	143	2	MR ICI 63 - 19 × 200 80 A 4	40,6
	36	140	1,9	MR CI 63 - 19 × 200 80 B 6	25
	36	140	2,36	MR CI 64 - 19 × 200 80 B 6	25
	44,6	111	1,6	MR ICI 50 - 14 × 160 71 C 4	31,4
	43,9	112	1,5	MR ICI 50 - 19 × 200 80 A 4	31,9
	46,7	108	1,4	MR CI 50 - 19 × 200 80 B 6	19,3
	43,7	113	2,8	MR ICI 63 - 19 × 200 80 A 4	32
	44,8	113	2	MR CI 63 - 14 × 160 71 C 4	31,3
	44,8	113	2,24	MR CI 64 - 14 × 160 71 C 4	31,3
	44,8	113	2	MR CI 63 - 19 × 200 80 A 4	31,3
	44,8	113	2,24	MR CI 64 - 19 × 200 80 A 4	31,3
	45	112	2,36	MR CI 63 - 19 × 200 80 B 6	20
	55,7	89	2	MR ICI 50 - 19 × 200 80 A 4	25,1
	58,1	87	1,6	MR CI 50 - 14 × 160 71 C 4	24,1
	58,1	87	1,6	MR CI 50 - 19 × 200 80 A 4	24,1
	56	90	3	MR CI 63 - 14 × 160 71 C 4	25
	56	90	3	MR CI 63 - 19 × 200 80 A 4	25
	63,3	78	0,9	MR ICI 40 - 14 × 160 71 C 4	22,1
	64,6	78	0,85	MR CI 40 - 14 × 160 71 C 4	21,7
	66,9	74	2,5	MR ICI 50 - 19 × 200 80 A 4	20,9
	72,6	69	2,12	MR CI 50 - 14 × 160 71 C 4	19,3
	72,6	69	2,12	MR CI 50 - 19 × 200 80 A 4	19,3
	78,4	64	1	MR CI 40 - 14 × 160 71 C 4	17,9
	89,2	57	2,5	MR CI 50 - 14 × 160 71 C 4	15,7
	89,2	57	2,5	MR CI 50 - 19 × 200 80 A 4	15,7
	102	49,2	1,6	MR CI 40 - 14 × 160 71 C 4	13,7
	113	44,6	3,55	MR CI 50 - 14 × 160 71 C 4	12,4
	113	44,6	3,55	MR CI 50 - 19 × 200 80 A 4	12,4
	124	40,6	2,12	MR CI 40 - 14 × 160 71 C 4	11,3
	136	37,1	4	MR CI 50 - 14 × 160 71 C 4	10,3
	136	37,1	4	MR CI 50 - 19 × 200 80 A 4	10,3
	161	31,4	2,12	MR CI 40 - 14 × 160 71 C 4	8,72
	174	29	4,25	MR CI 50 - 14 × 160 71 C 4	8,06
	174	29	4,25	MR CI 50 - 19 × 200 80 A 4	8,06
	202	25	2	MR CI 40 - 14 × 160 71 C 4	6,94
	217	23,3	3,75	MR CI 50 - 14 × 160 71 C 4	6,46
	217	23,3	3,75	MR CI 50 - 19 × 200 80 A 4	6,46
0,75	2,39	2758	0,9	MR C3I 125 - 24 × 200 90 S 6	377
	2,95	2234	1,12	MR C3I 125 - 24 × 200 90 S 6	305
	3,69	1788	1,5	MR C3I 125 - 24 × 200 90 S 6	244
	4,61	1429	1,06	MR C3I 100 - 19 × 200 80 C 6	195
	4,63	1425	0,9	MR C3I 100 - 24 × 200 90 S 6	195
	4,61	1430	2,12	MR C3I 125 - 24 × 200 90 S 6	195
	5,74	1148	1,12	MR C3I 100 - 19 × 200 80 B 4	244
	6,47	1041	1,32	MR ICI 100 - 19 × 200 80 C 6	139
	5,76	1144	2,65	MR C3I 125 - 24 × 200 90 S 6	156
	7,18	918	1,6	MR C3I 100 - 19 × 200 80 B 4	195
	7,86	856	1,32	MR ICI 100 - 19 × 200 80 C 6	114
	7,47	902	2,65	MR ICI 125 - 24 × 200 90 S 6	121
	8,33	791	0,9	MR C3I 81 - 19 × 200 80 B 4	168
	8,48	777	0,9	MR C3I 80 - 19 × 200 80 C 6	106
	8,48	777	1,06	MR C3I 81 - 19 × 200 80 C 6	106
	8,81	748	1,8	MR C3I 100 - 19 × 200 80 B 4	159
	10,1	669	2	MR ICI 100 - 19 × 200 80 B 4	139
	9,33	721	3,55	MR ICI 125 - 24 × 200 90 S 6	96,4
	10,4	634	1	MR C3I 80 - 19 × 200 80 B 4	135
	10,4	634	1,12	MR C3I 81 - 19 × 200 80 B 4	135
	11,3	594	0,9	MR ICI 80 - 14 × 160 80 B *	124
	11,3	594	1	MR ICI 81 - 14 × 160 80 B *	124
	10,9	617	0,9	MR ICI 80 - 19 × 200 80 C 6	82,5
	10,9	617	1	MR ICI 81 - 19 × 200 80 C 6	82,5
	11,2	590	3	MR C3I 100 - 19 × 200 80 B 4	125
	12,2	550	2	MR ICI 100 - 19 × 200 80 B 4	114
	11,7	573	2,24	MR ICI 100 - 19 × 200 80 C 6	76,7
	11,5	584	4,5	MR ICI 125 - 24 × 200 90 S 6	78,1

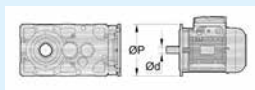
1) Powers valid for continuous duty S1; **increase possible** for duty cycles S2 ... S10 (see ch. 1 «General specifications»); in which case M_2 increases and f_s decreases.

2) For complete designation when ordering see ch. 2.

* Mounting position **B5R** (see ch. 1.2).



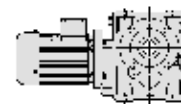
P_1 kW	n_2 min ⁻¹	M_2 N m	f_s		i
1)				2)	
0,75	13,2	500	1,7	MR C3I 80 - 19 × 200 80 B	4 106
	13,2	500	1,9	MR C3I 81 - 19 × 200 80 B	4 106
	14,2	475	1,25	MR ICI 80 - 14 × 160 80 B	* 4 98,8
	14,2	475	1,4	MR ICI 81 - 14 × 160 80 B	* 4 98,8
13,6	494	1,18	MR ICI 80 - 19 × 200 80 C	6 66	
13,6	494	1,32	MR ICI 81 - 19 × 200 80 C	6 66	
13,8	486	1,12	MR ICI 80 - 24 × 200 90 S	6 65	
13,8	486	1,25	MR ICI 81 - 24 × 200 90 S	6 65	
15,3	440	2,8	MR ICI 100 - 19 × 200 80 B	4 91,5	
17,6	383	0,9	MR ICI 64 - 14 × 160 80 B	* 4 79,5	
17,7	380	0,9	MR ICI 64 - 19 × 200 80 C	6 50,8	
18	374	0,9	MR ICI 64 - 24 × 200 90 S	6 50	
16,9	398	1,5	MR ICI 80 - 14 × 160 80 B	* 4 82,7	
16,9	398	1,7	MR ICI 81 - 14 × 160 80 B	* 4 82,7	
17	397	1,32	MR ICI 80 - 19 × 200 80 B	4 82,5	
17	397	1,5	MR ICI 81 - 19 × 200 80 B	4 82,5	
17	395	1,5	MR ICI 80 - 19 × 200 80 C	6 52,8	
17	395	1,7	MR ICI 81 - 19 × 200 80 C	6 52,8	
17,3	389	1,5	MR ICI 80 - 24 × 200 90 S	6 52	
17,3	389	1,7	MR ICI 81 - 24 × 200 90 S	6 52	
18,3	369	3,35	MR ICI 100 - 19 × 200 80 B	4 76,7	
22,1	305	0,9	MR ICI 63 - 19 × 200 80 B	4 63,5	
22,1	305	1,06	MR ICI 64 - 19 × 200 80 B	4 63,5	
21,2	317	1,8	MR ICI 80 - 19 × 200 80 B	4 66	
21,2	317	2,12	MR ICI 81 - 19 × 200 80 B	4 66	
27,6	244	1,12	MR ICI 63 - 19 × 200 80 B	4 50,8	
27,6	244	1,4	MR ICI 64 - 19 × 200 80 B	4 50,8	
28,1	240	1,32	MR ICI 63 - 19 × 200 80 C	6 32	
28,1	240	1,6	MR ICI 64 - 19 × 200 80 C	6 32	
28,8	239	1	MR CI 63 - 19 × 200 80 C	6 31,3	
28,8	239	1,06	MR CI 64 - 19 × 200 80 C	6 31,3	
28,8	239	1	MR CI 63 - 24 × 200 90 S	6 31,3	
28,8	239	1,06	MR CI 64 - 24 × 200 90 S	6 31,3	
26,5	254	2,24	MR ICI 80 - 19 × 200 80 B	4 52,8	
27,7	248	1,9	MR CI 80 - 19 × 200 80 C	6 32,5	
27,7	248	1,9	MR CI 80 - 24 × 200 90 S	6 32,5	
35,2	191	0,85	MR ICI 50 - 14 × 160 80 B	* 4 39,8	
35,8	188	0,95	MR ICI 50 - 19 × 200 80 C	6 25,1	
34,5	195	1,5	MR ICI 63 - 19 × 200 80 B	4 40,6	
34,5	195	1,8	MR ICI 64 - 19 × 200 80 B	4 40,6	
36	191	1,4	MR CI 63 - 19 × 200 80 C	6 25	
36	191	1,7	MR CI 64 - 19 × 200 80 C	6 25	
36	191	1,4	MR CI 63 - 24 × 200 90 S	6 25	
36	191	1,7	MR CI 64 - 24 × 200 90 S	6 25	
33,1	203	3	MR ICI 80 - 19 × 200 80 B	4 42,3	
34,6	199	3	MR CI 80 - 19 × 200 80 C	6 26	
34,6	199	3	MR CI 80 - 24 × 200 90 S	6 26	
43,9	153	1,06	MR ICI 50 - 19 × 200 80 B	4 31,9	
46,7	147	1	MR CI 50 - 19 × 200 80 C	6 19,3	
43,7	154	2	MR ICI 63 - 19 × 200 80 B	4 32	
43,7	154	2,5	MR ICI 64 - 19 × 200 80 B	4 32	
44,8	153	1,5	MR CI 63 - 19 × 200 80 B	4 31,3	
44,8	153	1,7	MR CI 64 - 19 × 200 80 B	4 31,3	
45	153	1,8	MR CI 63 - 19 × 200 80 C	6 20	
45	153	2,12	MR CI 64 - 19 × 200 80 C	6 20	
45	153	1,8	MR CI 63 - 24 × 200 90 S	6 20	
45	153	2,12	MR CI 64 - 24 × 200 90 S	6 20	
43,1	160	3	MR CI 80 - 19 × 200 80 B	4 32,5	
55,7	121	1,5	MR ICI 50 - 19 × 200 80 B	4 25,1	
58,1	118	1,18	MR CI 50 - 19 × 200 80 B	4 24,1	
56	123	2,24	MR CI 63 - 19 × 200 80 B	4 25	
66,9	101	1,8	MR ICI 50 - 19 × 200 80 B	4 20,9	
72,6	95	1,6	MR CI 50 - 19 × 200 80 B	4 19,3	
70	98	2,65	MR CI 63 - 19 × 200 80 B	4 20	
89,2	77	1,9	MR CI 50 - 19 × 200 80 B	4 15,7	
87,5	79	3,35	MR CI 63 - 19 × 200 80 B	4 16	
102	67	1,18	MR CI 40 - 14 × 160 71 D	4 13,7	
113	61	2,65	MR CI 50 - 19 × 200 80 B	4 12,4	
124	55	1,6	MR CI 40 - 14 × 160 71 D	4 11,3	
136	51	3	MR CI 50 - 19 × 200 80 B	4 10,3	
161	42,8	1,6	MR CI 40 - 14 × 160 71 D	4 8,72	
174	39,6	3,15	MR CI 50 - 19 × 200 80 B	4 8,06	

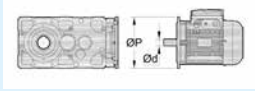
P_1 kW	n_2 min ⁻¹	M_2 N m	f_s		i
1)				2)	
0,75	202	34,1	1,5	MR CI 40 - 14 × 160 71 D	4 6,94
	217	31,7	2,65	MR CI 50 - 19 × 200 80 B	4 6,46
1,1	3,72	2600	0,95	MR C3I 125 - 24 × 200 90 S	4 377
	4,59	2107	1,18	MR C3I 125 - 24 × 200 90 S	4 305
5,73	1685	1,6	MR C3I 125 - 24 × 200 90 S	4 244	
7,18	1347	1,12	MR C3I 100 - 19 × 200 80 C	4 195	
7,19	1343	0,95	MR C3I 100 - 24 × 200 90 S	4 195	
7,17	1348	2,24	MR C3I 125 - 24 × 200 90 S	4 195	
7,47	1323	1,8	MR ICI 125 - 24 × 200 90 L	6 121	
8,81	1097	1,25	MR C3I 100 - 19 × 200 80 C	4 159	
8,99	1075	1,4	MR C3I 100 - 24 × 200 90 S	4 156	
10,1	981	1,32	MR ICI 100 - 19 × 200 80 C	4 139	
8,96	1079	2,8	MR C3I 125 - 24 × 200 90 S	4 156	
9,33	1058	2,5	MR ICI 125 - 24 × 200 90 L	6 96,4	
11,2	865	2	MR C3I 100 - 19 × 200 80 C	4 125	
11	875	1,5	MR C3I 100 - 24 × 200 90 S	4 127	
12,2	807	1,32	MR ICI 100 - 19 × 200 80 C	4 114	
11,8	839	1,32	MR ICI 100 - 24 × 200 90 L	6 76,4	
11,6	850	2,8	MR ICI 125 - 24 × 200 90 S	4 121	
13,2	733	0,9	MR C3I 80 - 19 × 200 80 C	4 106	
13,2	733	1,06	MR C3I 81 - 19 × 200 80 C	4 106	
14	690	2,5	MR C3I 100 - 24 × 200 90 S	4 99,9	
15,3	646	1,9	MR ICI 100 - 19 × 200 80 C	4 91,5	
15,1	655	1,9	MR ICI 100 - 24 × 200 90 S	4 92,9	
14,7	671	1,9	MR ICI 100 - 24 × 200 90 L	6 61,2	
14,5	680	3,75	MR ICI 125 - 24 × 200 90 S	4 96,4	
17	582	0,9	MR ICI 80 - 19 × 200 80 C	4 82,5	
17	582	1	MR ICI 81 - 19 × 200 80 C	4 82,5	
17,3	571	1	MR ICI 80 - 24 × 200 90 L	6 52	
17,3	571	1,18	MR ICI 81 - 24 × 200 90 L	6 52	
18,3	541	2,36	MR ICI 100 - 19 × 200 80 C	4 76,7	
18,3	539	2	MR ICI 100 - 24 × 200 90 S	4 76,4	
18,4	537	2,65	MR ICI 100 - 24 × 200 90 L	6 48,9	
21,2	466	1,25	MR ICI 80 - 19 × 200 80 C	4 66	
21,2	466	1,4	MR ICI 81 - 19 × 200 80 C	4 66	
21,5	458	1,18	MR ICI 80 - 24 × 200 90 S	4 65	
21,5	458	1,32	MR ICI 81 - 24 × 200 90 S	4 65	
21,6	456	1,25	MR ICI 80 - 24 × 200 90 L	6 41,6	
21,6	456	1,5	MR ICI 81 - 24 × 200 90 L	6 41,6	
22,8	433	3,15	MR ICI 100 - 19 × 200 80 C	4 61,3	
22,9	431	2,8	MR ICI 100 - 24 × 200 90 S	4 61,2	
24,6	410	2,8	MR CI 100 - 24 × 200 90 L	6 36,6	
27,6	358	0,95	MR ICI 64 - 19 × 200 80 C	4 50,8	
28	353	0,95	MR ICI 64 - 24 × 200 90 S	4 50	
28,1	351	0,85	MR ICI 63 - 24 × 200 90 L	6 32	
26,5	372	1,6	MR ICI 80 - 19 × 200 80 C	4 52,8	
26,5	372	1,8	MR ICI 81 - 19 × 200 80 C	4 52,8	
26,9	367	1,6	MR ICI 80 - 24 × 200 90 S	4 52	
26,9	367	1,8	MR ICI 81 - 24 × 200 90 S	4 52	
27,7	364	1,32	MR CI 80 - 24 × 200 90 L	6 32,5	
27,7	364	1,6	MR CI 81 - 24 × 200 90 L	6 32,5	
28	352	3,75	MR ICI 100 - 19 × 200 80 C	4 49,9	
28,6	345	4	MR ICI 100 - 24 × 200 90 S	4 48,9	
29,9	337	3,15	MR CI 100 - 24 × 200 90 L	6 30,1	
34,5	286	1	MR ICI 63 - 19 × 200 80 C	4 40,6	
34,5	286	1,18	MR ICI 64 - 19 × 200 80 C	4 40,6	
35	282	0,95	MR ICI 63 - 24 × 200 90 S	4 40	
35	282	1,18	MR ICI 64 - 24 × 200 90 S	4 40	
35,7	277	1,12	MR ICI 63 - 24 × 200 90 L	6 25,2	
35,7	277	1,4	MR ICI 64 - 24 × 200 90 L	6 25,2	
36	280	0,95	MR CI 63 - 24 × 200 90 L	6 25	
36	280	1,18	MR CI 64 - 24 × 200 90 L	6 25	
33,1	298	2,12	MR ICI 80 - 19 × 200 80 C	4 42,3	
33,1	298	2,36	MR ICI 81 - 19 × 200 80 C	4 42,3	
33,7	293	2	MR ICI 80 - 24 × 200 90 S	4 41,6	
33,7	293	2,24	MR ICI 81 - 24 × 200 90 S	4 41,6	
34,6	291	2	MR CI 80 - 24 × 200 90 L	6 26	
34,6	291	2,24	MR CI 81 - 24 × 200 90 L	6 26	

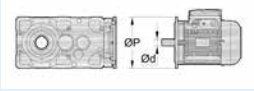
1) Powers valid for continuous duty S1; **increase possible** for duty cycles S2 ... S10 (see ch. 1 «General specifications»); in which case M_2 increases and f_s decreases.

2) For complete designation when ordering see ch. 2.

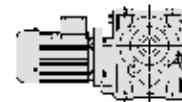
* Mounting position **B5R** (see ch. 1.2).



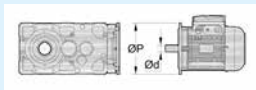
P_1 kW	n_2 min ⁻¹	M_2 N m	f_s		i	
1)				2)		
1,1	43,7	226	1,4	MR ICI 63 - 19 × 200	80 C 4 32	
	43,7	226	1,7	MR ICI 64 - 19 × 200	80 C 4 32	
	43,8	226	1,32	MR ICI 63 - 24 × 200	90 S 4 32	
	43,8	226	1,5	MR ICI 64 - 24 × 200	90 S 4 32	
	44,8	225	1	MR CI 63 - 19 × 200	80 C 4 31,3	
	44,8	225	1,12	MR CI 64 - 19 × 200	80 C 4 31,3	
	44,8	225	1	MR CI 63 - 24 × 200	90 S 4 31,3	
	44,8	225	1,12	MR CI 64 - 24 × 200	90 S 4 31,3	
	45	224	1,18	MR CI 63 - 24 × 200	90 L 6 20	
	45	224	1,5	MR CI 64 - 24 × 200	90 L 6 20	
	42	235	2,8	MR ICI 80 - 19 × 200	80 C 4 33,4	
	42	235	2,65	MR ICI 80 - 24 × 200	90 S 4 33,3	
	43,1	234	2	MR CI 80 - 19 × 200	80 C 4 32,5	
	43,1	234	2,5	MR CI 81 - 19 × 200	80 C 4 32,5	
	43,1	234	2	MR CI 80 - 24 × 200	90 S 4 32,5	
	43,1	234	2,5	MR CI 81 - 24 × 200	90 S 4 32,5	
	43,3	233	2,5	MR CI 80 - 24 × 200	90 L 6 20,8	
	46,5	217	4,75	MR CI 100 - 24 × 200	90 S 4 30,1	
	55,7	177	1	MR ICI 50 - 19 × 200	80 C 4 25,1	
	58,1	174	0,8	MR CI 50 - 19 × 200	80 C 4 24,1	
	55,5	178	1,8	MR ICI 63 - 24 × 200	90 S 4 25,2	
	55,5	178	2,12	MR ICI 64 - 24 × 200	90 S 4 25,2	
	56	180	1,5	MR CI 63 - 19 × 200	80 C 4 25	
	56	180	1,8	MR CI 64 - 19 × 200	80 C 4 25	
	56	180	1,5	MR CI 63 - 24 × 200	90 S 4 25	
	56	180	1,8	MR CI 64 - 24 × 200	90 S 4 25	
	53,8	187	3	MR CI 80 - 19 × 200	80 C 4 26	
	53,8	187	3	MR CI 80 - 24 × 200	90 S 4 26	
	66,9	148	1,25	MR ICI 50 - 19 × 200	80 C 4 20,9	
	72,6	139	1,06	MR CI 50 - 19 × 200	80 C 4 19,3	
	67,6	146	2,24	MR ICI 63 - 24 × 200	90 S 4 20,7	
	67,6	146	2,5	MR ICI 64 - 24 × 200	90 S 4 20,7	
	70	144	1,9	MR CI 63 - 19 × 200	80 C 4 20	
	70	144	2,24	MR CI 64 - 19 × 200	80 C 4 20	
	70	144	1,9	MR CI 63 - 24 × 200	90 S 4 20	
	70	144	2,24	MR CI 64 - 24 × 200	90 S 4 20	
	89,2	113	1,25	MR CI 50 - 19 × 200	80 C 4 15,7	
	87,5	115	2,36	MR CI 63 - 19 × 200	80 C 4 16	
	87,5	115	2,36	MR CI 63 - 24 × 200	90 S 4 16	
	113	89	1,8	MR CI 50 - 19 × 200	80 C 4 12,4	
	111	91	3,35	MR CI 63 - 19 × 200	80 C 4 12,6	
	111	91	3,35	MR CI 63 - 24 × 200	90 S 4 12,6	
	136	74	2	MR CI 50 - 19 × 200	80 C 4 10,3	
	135	75	3,75	MR CI 63 - 19 × 200	80 C 4 10,4	
	135	75	3,75	MR CI 63 - 24 × 200	90 S 4 10,4	
174	58	2,12	MR CI 50 - 19 × 200	80 C 4 8,06		
175	57	3,75	MR CI 63 - 19 × 200	80 C 4 7,98		
175	57	3,75	MR CI 63 - 24 × 200	90 S 4 7,98		
217	46,5	1,8	MR CI 50 - 19 × 200	80 C 4 6,46		
222	45,4	3,75	MR CI 63 - 19 × 200	80 C 4 6,31		
222	45,4	3,75	MR CI 63 - 24 × 200	90 S 4 6,31		
1,5	4,61	2860	1,06	MR C3I 125 - 24 × 200	90 LC 6 195	
	4,54	2901	0,9	MR C3I 125 - 28 × 250	100 LA 6 198	
	5,73	2298	1,18	MR C3I 125 - 24 × 200	90 L 4 244	
	5,98	2253	1,9	MR C2I 140 - 28 × 250	100 LA 6 151	
	5,85	2302	2,8	MR C2I 160 - 28 × 250	100 LA 6 154	
	7,17	1839	1,7	MR C3I 125 - 24 × 200	90 L 4 195	
	7,47	1803	1,32	MR ICI 125 - 24 × 200	90 LC 6 121	
	7,33	1837	2,36	MR C2I 140 - 28 × 250	100 LA 6 123	
	7,31	1841	2,5	MR ICI 160 - 28 × 250	100 LA 6 123	
	8,99	1465	1	MR C3I 100 - 24 × 200	90 L 4 156	
	10,1	1338	1	MR ICI 100 - 19 × 200	90 L * 4 139	
	9,69	1390	0,95	MR ICI 100 - 24 × 200	90 LC 6 92,9	
	8,96	1471	2	MR C3I 125 - 24 × 200	90 L 4 156	
	9,33	1443	1,8	MR ICI 125 - 24 × 200	90 LC 6 96,4	
	9,22	1461	1,6	MR ICI 125 - 28 × 250	100 LA 6 97,7	
	9,33	1443	2,12	MR ICI 140 - 24 × 200	90 LC 6 96,4	
	9,16	1469	3	MR C2I 140 - 28 × 250	100 LA 6 98,2	
	1,5	10,3	1313	3,35	MR C2I 140 - 28 × 250	100 LA 6 87,8
		11	1193	1,12	MR C3I 100 - 24 × 200	90 L 4 127
		12,2	1101	1	MR ICI 100 - 19 × 200	90 L * 4 114
		11,8	1144	0,95	MR ICI 100 - 24 × 200	90 LC 6 76,4
		12,3	1095	1,18	MR ICI 100 - 28 × 250	100 LA 6 73,2
		11,4	1160	3	MR C3I 125 - 24 × 200	90 L 4 123
		11,6	1159	2	MR ICI 125 - 24 × 200	90 L 4 121
		11,5	1169	2,65	MR ICI 140 - 28 × 250	100 LA 6 78,1
11,5		1176	4,25	MR C2I 140 - 28 × 250	100 LA 6 78,6	
14		941	1,9	MR C3I 100 - 24 × 200	90 L 4 99,9	
15,3		881	1,4	MR ICI 100 - 19 × 200	90 L * 4 91,5	
15,1		894	1,4	MR ICI 100 - 24 × 200	90 L 4 92,9	
14,7		915	1,4	MR ICI 100 - 24 × 200	90 LC 6 61,2	
14,9		901	1,18	MR ICI 100 - 28 × 250	100 LA 6 60,2	
14,5		927	2,8	MR ICI 125 - 24 × 200	90 L 4 96,4	
17,3		778	0,85	MR ICI 81 - 24 × 200	90 LC 6 52	
18,3		737	1,7	MR ICI 100 - 19 × 200	90 L * 4 76,7	
18,3		735	1,5	MR ICI 100 - 24 × 200	90 L 4 76,4	
18,4		732	1,9	MR ICI 100 - 24 × 200	90 LC 6 48,9	
18,7		721	1,7	MR ICI 100 - 28 × 250	100 LA 6 48,2	
17,9		751	3,35	MR ICI 125 - 24 × 200	90 L 4 78,1	
21,2		635	0,9	MR ICI 80 - 19 × 200	90 L * 4 66	
21,5		625	0,85	MR ICI 80 - 24 × 200	90 L 4 65	
21,2		635	1,06	MR ICI 81 - 19 × 200	90 L * 4 66	
21,5		625	0,95	MR ICI 81 - 24 × 200	90 L 4 65	
21,6		622	0,95	MR ICI 80 - 24 × 200	90 LC 6 41,6	
21,6		622	1,06	MR ICI 81 - 24 × 200	90 LC 6 41,6	
22,9		588	2,12	MR ICI 100 - 24 × 200	90 L 4 61,2	
24,6		559	2,12	MR CI 100 - 24 × 200	90 LC 6 36,6	
24,6		559	2,12	MR CI 100 - 28 × 250	100 LA 6 36,6	
26,9	500	1,18	MR ICI 80 - 24 × 200	90 L 4 52		
26,9	500	1,32	MR ICI 81 - 24 × 200	90 L 4 52		
27	499	1,25	MR ICI 80 - 24 × 200	90 LC 6 33,3		
27	499	1,4	MR ICI 81 - 24 × 200	90 LC 6 33,3		
27,7	497	0,95	MR CI 80 - 24 × 200	90 LC 6 32,5		
27,7	497	1,18	MR CI 81 - 24 × 200	90 LC 6 32,5		
27,7	497	0,95	MR CI 80 - 28 × 250	100 LA 6 32,5		
27,7	497	1,18	MR CI 81 - 28 × 250	100 LA 6 32,5		
28,6	471	3	MR ICI 100 - 24 × 200	90 L 4 48,9		
29,9	460	2,36	MR CI 100 - 24 × 200	90 LC 6 30,1		
29,9	460	2,36	MR CI 100 - 28 × 250	100 LA 6 30,1		
35	385	0,85	MR ICI 64 - 24 × 200	90 L 4 40		
35,7	377	0,85	MR ICI 63 - 24 × 200	90 LC 6 25,2		
35,7	377	1	MR ICI 64 - 24 × 200	90 LC 6 25,2		
36	382	0,85	MR CI 64 - 24 × 200	90 LC 6 25		
33,7	400	1,4	MR ICI 80 - 24 × 200	90 L 4 41,6		
33,7	400	1,7	MR ICI 81 - 24 × 200	90 L 4 41,6		
34,2	393	1,7	MR ICI 80 - 24 × 200	90 LC 6 26,3		
34,2	393	2	MR ICI 81 - 24 × 200	90 LC 6 26,3		
34,6	397	1,5	MR CI 80 - 24 × 200	90 LC 6 26		
34,6	397	1,7	MR CI 81 - 24 × 200	90 LC 6 26		
34,6	397	1,5	MR CI 80 - 28 × 250	100 LA 6 26		
34,6	397	1,7	MR CI 81 - 28 × 250	100 LA 6 26		
35,1	383	3,35	MR ICI 100 - 24 × 200	90 L 4 39,8		
38,2	360	3,15	MR CI 100 - 24 × 200	90 L 4 36,6		
37,4	368	3	MR CI 100 - 24 × 200	90 LC 6 24,1		
37,4	368	3	MR CI 100 - 28 × 250	100 LA 6 24,1		
43,8	308	0,95	MR ICI 63 - 24 × 200	90 L 4 32		
43,8	308	1,12	MR ICI 64 - 24 × 200	90 L 4 32		
44,8	307	0,85	MR CI 64 - 24 × 200	90 L 4 31,3		
45	306	0,9	MR CI 63 - 24 × 200	90 LC 6 20		
45	306	1,06	MR CI 64 - 24 × 200	90 LC 6 20		
42	321	1,9	MR ICI 80 - 24 × 200	90 L 4 33,3		
42	321	2,12	MR ICI 81 - 24 × 200	90 L 4 33,3		
43,1	319	1,5	MR CI 80 - 24 × 200	90 L 4 32,5		
43,1	319	1,8	MR CI 81 - 24 × 200	90 L 4 32,5		
43,3	318	1,8	MR CI 80 - 24 × 200	90 LC 6 20,8		
43,3	318	2,12	MR CI 81 - 24 × 200	90 LC 6 20,8		
43,3	318	1,8	MR CI 80 - 28 × 250	100 LA 6 20,8		
43,3	318	2,12	MR CI 81 - 28 × 250	100 LA 6 20,8		
46,5	296	3,55	MR CI 100 - 24 × 200	90 L 4 30,1		

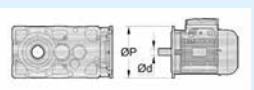
P_1 kW	n_2 min ⁻¹	M_2 N m	f_s		i
1)				2)	
1,5	10,3	1313	3,35	MR C2I 140 - 28 × 250	100 LA 6 87,8
	11	1193	1,12	MR C3I 100 - 24 × 200	90 L 4 127
	12,2	1101	1	MR ICI 100 - 19 × 200	90 L * 4 114
	11,8	1144	0,95	MR ICI 100 - 24 × 200	90 LC 6 76,4
	12,3	1095	1,18	MR ICI 100 - 28 × 250	100 LA 6 73,2
	11,4	1160	3	MR C3I 125 - 24 × 200	90 L 4 123
	11,6	1159	2	MR ICI 125 - 24 × 200	90 L 4 121
	11,5	1169	2,65	MR ICI 140 - 28 × 250	100 LA 6 78,1
	11,5	1176	4,25	MR C2I 140 - 28 × 250	100 LA 6 78,6
	14	941	1,9	MR C3I 100 - 24 × 200	90 L 4 99,9
	15,3	881	1,4	MR ICI 100 - 19 × 200	90 L * 4 91,5
	15,1	894	1,4	MR ICI 100 - 24 × 200	90 L 4 92,9
	14,7	915	1,4	MR ICI 100 - 24 × 200	90 LC 6 61,2
	14,9	901	1,18	MR ICI 100 - 28 × 250	100 LA 6 60,2
	14,5	927	2,8	MR ICI 125 - 24 × 200	90 L 4 96,4
	17,3	778	0,85	MR ICI 81 - 24 × 200	90 LC 6 52
	18,3	737	1,7	MR ICI 100 - 19 × 200	90 L * 4 76,7
	18,3	735	1,5	MR ICI 100 - 24 × 200	90 L 4 76,4
	18,4	732	1,9	MR ICI 100 - 24 × 200	90 LC 6 48,9
	18,7	721	1,7	MR ICI 100 - 28 × 250	100 LA 6 48,2
	17,9	751	3,35	MR ICI 125 - 24 × 200	90 L 4 78,1
	21,2	635	0,9	MR ICI 80 - 19 × 200	90 L * 4 66
	21,5	625	0,85	MR ICI 80 - 24 × 200	90 L 4 65
	21,2	635	1,06	MR ICI 81 - 19 × 200	90 L * 4 66
	21,5	625	0,95	MR ICI 81 - 24 × 200	90 L 4 65
	21,6	622	0,95	MR ICI 80 - 24 × 200	90 LC 6 41,6
	21,6	622	1,06	MR ICI 81 - 24 × 200	90 LC 6 41,6
	22,9	588	2,12	MR ICI 100 - 24 × 200	90 L 4 61,2
	24,6	559	2,12	MR CI 100 - 24 × 200	90 LC 6 36,6
	24,6	559	2,12	MR CI 100 - 2	

Bevel helical gearmotor selection tables



13

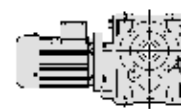
P_1 kW	n_2 min ⁻¹	M_2 N m	f_s		i		
1)				2)			
1,5	55,5	243	1,32	MR ICI 63 - 24 × 200	90 L 4	25,2	
	55,5	243	1,6	MR ICI 64 - 24 × 200	90 L 4	25,2	
	56	246	1,12	MR CI 63 - 24 × 200	90 L 4	25	
	56	246	1,32	MR CI 64 - 24 × 200	90 L 4	25	
	53,3	253	2,65	MR ICI 80 - 24 × 200	90 L 4	26,3	
	53,8	255	2,24	MR CI 80 - 24 × 200	90 L 4	26	
	53,8	255	2,5	MR CI 81 - 24 × 200	90 L 4	26	
	67,6	199	1,6	MR ICI 63 - 24 × 200	90 L 4	20,7	
	67,6	199	1,9	MR ICI 64 - 24 × 200	90 L 4	20,7	
	70	196	1,32	MR CI 63 - 24 × 200	90 L 4	20	
	70	196	1,7	MR CI 64 - 24 × 200	90 L 4	20	
	70,8	190	2,8	MR ICI 80 - 24 × 200	90 L 4	19,8	
	67,3	204	2,8	MR CI 80 - 24 × 200	90 L 4	20,8	
	87,5	157	1,7	MR CI 63 - 24 × 200	90 L 4	16	
	87,5	157	2,12	MR CI 64 - 24 × 200	90 L 4	16	
	111	124	2,5	MR CI 63 - 24 × 200	90 L 4	12,6	
	135	102	2,8	MR CI 63 - 24 × 200	90 L 4	10,4	
	175	78	2,8	MR CI 63 - 24 × 200	90 L 4	7,98	
	222	62	2,8	MR CI 63 - 24 × 200	90 L 4	6,31	
	1,85	5,73	2834	0,95	MR C3I 125 - 24 × 200	90 LB 4	244
		5,98	2778	1,5	MR C2I 140 - 28 × 250	100 LB 6	151
		5,85	2839	2,36	MR C2I 160 - 28 × 250	100 LB 6	154
5,68		2924	3,15	MR C2I 180 - 28 × 250	100 LB 6	158	
7,17		2268	1,32	MR C3I 125 - 24 × 200	90 LB 4	195	
7,33		2265	1,9	MR C2I 140 - 28 × 250	100 LB 6	123	
7,31		2271	2	MR ICI 160 - 28 × 250	100 LB 6	123	
6,97		2383	3,15	MR C2I 160 - 28 × 250	100 LB 6	129	
8,96		1814	1,7	MR C3I 125 - 24 × 200	90 LB 4	156	
9,22		1802	1,32	MR ICI 125 - 28 × 250	100 LB 6	97,7	
9,16		1812	2,36	MR C2I 140 - 28 × 250	100 LB 6	98,2	
10,3		1619	2,65	MR C2I 140 - 28 × 250	100 LB 6	87,8	
11		1472	0,9	MR C3I 100 - 24 × 200	90 LB 4	127	
12,3		1351	0,95	MR ICI 100 - 28 × 250	100 LB 6	73,2	
11,4		1430	2,5	MR C3I 125 - 24 × 200	90 LB 4	123	
11,6		1430	1,7	MR ICI 125 - 24 × 200	90 LB 4	121	
11,5		1442	2,12	MR ICI 140 - 28 × 250	100 LB 6	78,1	
11,5		1450	3,35	MR C2I 140 - 28 × 250	100 LB 6	78,6	
12,8		1296	3,55	MR C2I 140 - 28 × 250	100 LB 6	70,2	
14		1160	1,5	MR C3I 100 - 24 × 200	90 LB 4	99,9	
15,3		1086	1,18	MR ICI 100 - 19 × 200	90 LB * 4	91,5	
15,1		1102	1,18	MR ICI 100 - 24 × 200	90 LB 4	92,9	
14,5		1144	2,24	MR ICI 125 - 24 × 200	90 LB 4	96,4	
14,5		1144	2,65	MR ICI 140 - 24 × 200	90 LB 4	96,4	
18,3		909	1,4	MR ICI 100 - 19 × 200	90 LB * 4	76,7	
18,3		907	1,18	MR ICI 100 - 24 × 200	90 LB 4	76,4	
18,7		889	1,4	MR ICI 100 - 28 × 250	100 LB 6	48,2	
17,9		927	2,8	MR ICI 125 - 24 × 200	90 LB 4	78,1	
21,2		783	0,85	MR ICI 81 - 19 × 200	90 LB * 4	66	
22,9		725	1,7	MR ICI 100 - 24 × 200	90 LB 4	61,2	
24,6		690	1,7	MR CI 100 - 28 × 250	100 LB 6	36,6	
22,4		741	3,55	MR ICI 125 - 24 × 200	90 LB 4	62,5	
26,9		617	0,95	MR ICI 80 - 24 × 200	90 LB 4	52	
26,9		617	1,06	MR ICI 81 - 24 × 200	90 LB 4	52	
27,7		612	0,95	MR CI 81 - 28 × 250	100 LB 6	32,5	
28,6		580	2,36	MR ICI 100 - 24 × 200	90 LB 4	48,9	
29,9		568	1,9	MR CI 100 - 28 × 250	100 LB 6	30,1	
33,7		493	1,18	MR ICI 80 - 24 × 200	90 LB 4	41,6	
33,7		493	1,32	MR ICI 81 - 24 × 200	90 LB 4	41,6	
34,6		490	1,18	MR CI 80 - 28 × 250	100 LB 6	26	
34,6		490	1,32	MR CI 81 - 28 × 250	100 LB 6	26	
35,1		473	2,8	MR ICI 100 - 24 × 200	90 LB 4	39,8	
38,2		443	2,65	MR CI 100 - 24 × 200	90 LB 4	36,6	
37,4		454	2,5	MR CI 100 - 28 × 250	100 LB 6	24,1	
43,7		380	0,85	MR ICI 63 - 19 × 200	90 LB * 4	32	
43,7		380	1	MR ICI 64 - 19 × 200	90 LB * 4	32	
43,8		380	0,9	MR ICI 64 - 24 × 200	90 LB 4	32	

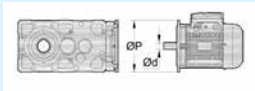
P_1 kW	n_2 min ⁻¹	M_2 N m	f_s		i	
1)				2)		
1,85	42	395	1,6	MR ICI 80 - 24 × 200	90 LB 4	33,3
	42	395	1,8	MR ICI 81 - 24 × 200	90 LB 4	33,3
	43,1	394	1,18	MR CI 80 - 24 × 200	90 LB 4	32,5
	43,1	394	1,5	MR CI 81 - 24 × 200	90 LB 4	32,5
	43,3	392	1,5	MR CI 80 - 28 × 250	100 LB 6	20,8
	43,3	392	1,7	MR CI 81 - 28 × 250	100 LB 6	20,8
	46,5	365	2,8	MR CI 100 - 24 × 200	90 LB 4	30,1
	55,5	299	1,06	MR ICI 63 - 24 × 200	90 LB 4	25,2
	55,5	299	1,25	MR ICI 64 - 24 × 200	90 LB 4	25,2
	56	303	0,9	MR CI 63 - 24 × 200	90 LB 4	25
	56	303	1,06	MR CI 64 - 24 × 200	90 LB 4	25
	53,3	312	2,12	MR ICI 80 - 24 × 200	90 LB 4	26,3
	53,3	312	2,5	MR ICI 81 - 24 × 200	90 LB 4	26,3
	53,8	315	1,8	MR CI 80 - 24 × 200	90 LB 4	26
	53,8	315	2,12	MR CI 81 - 24 × 200	90 LB 4	26
	58,1	292	3,75	MR CI 100 - 24 × 200	90 LB 4	24,1
	67,6	246	1,32	MR ICI 63 - 24 × 200	90 LB 4	20,7
	67,6	246	1,5	MR ICI 64 - 24 × 200	90 LB 4	20,7
	70	242	1,12	MR CI 63 - 24 × 200	90 LB 4	20
	70	242	1,32	MR CI 64 - 24 × 200	90 LB 4	20
	70,8	234	2,36	MR ICI 80 - 24 × 200	90 LB 4	19,8
	67,3	252	2,24	MR ICI 80 - 24 × 200	90 LB 4	20,8
67,3	252	2,65	MR CI 81 - 24 × 200	90 LB 4	20,8	
87,5	194	1,4	MR CI 63 - 24 × 200	90 LB 4	16	
87,5	194	1,7	MR CI 64 - 24 × 200	90 LB 4	16	
84	202	3	MR CI 80 - 24 × 200	90 LB 4	16,7	
111	153	2	MR CI 63 - 24 × 200	90 LB 4	12,6	
111	153	2,5	MR CI 64 - 24 × 200	90 LB 4	12,6	
135	126	2,24	MR CI 63 - 24 × 200	90 LB 4	10,4	
135	126	2,5	MR CI 64 - 24 × 200	90 LB 4	10,4	
175	97	2,24	MR CI 63 - 24 × 200	90 LB 4	7,98	
175	97	2,5	MR CI 64 - 24 × 200	90 LB 4	7,98	
222	76	2,24	MR CI 63 - 24 × 200	90 LB 4	6,31	
222	76	2,5	MR CI 64 - 24 × 200	90 LB 4	6,31	
2,2	5,98	3304	1,32	MR C2I 140 - 28 × 250	112 M 6	151
	5,85	3376	2	MR C2I 160 - 28 × 250	112 M 6	154
	5,68	3478	2,65	MR C2I 180 - 28 × 250	112 M 6	158
	7,17	2697	1,12	MR C3I 125 - 24 × 200	90 LC 4	195
	7,07	2735	0,95	MR C3I 125 - 28 × 250	100 LA 4	198
	7,1	2723	1	MR C3I 125 - 28 × 250	112 M 6	127
	7,33	2694	1,6	MR C2I 140 - 28 × 250	112 M 6	123
	7,31	2701	1,7	MR ICI 160 - 28 × 250	112 M 6	123
	6,97	2834	2,65	MR C2I 160 - 28 × 250	112 M 6	129
	8,96	2157	1,4	MR C3I 125 - 24 × 200	90 LC 4	156
	8,83	2188	1,4	MR C3I 125 - 28 × 250	100 LA 4	158
	9,22	2143	1,12	MR ICI 125 - 28 × 250	112 M 6	97,7
	9,3	2124	1,9	MR C2I 140 - 28 × 250	100 LA 4	151
	9,16	2155	2	MR C2I 140 - 28 × 250	112 M 6	98,2
	9,14	2161	2,65	MR ICI 160 - 28 × 250	112 M 6	98,5
	9,1	2170	2,8	MR C2I 160 - 28 × 250	100 LA 4	154
	11,4	1701	2	MR C3I 125 - 24 × 200	90 LC 4	123
	11	1750	1,5	MR C3I 125 - 28 × 250	100 LA 4	127
	11,6	1700	1,4	MR ICI 125 - 24 × 200	90 LC 4	121
	11,5	1714	1,5	MR ICI 125 - 28 × 250	112 M 6	78,1
	11,5	1714	1,8	MR ICI 140 - 28 × 250	112 M 6	78,1
	11,4	1732	2,36	MR C2I 140 - 28 × 250	100 LA 4	123
11,4	1736	2,65	MR ICI 160 - 28 × 250	100 LA 4	123	
14	1380	1,25	MR C3I 100 - 24 × 200	90 LC 4	99,9	
15,3	1291	0,95	MR ICI 100 - 19 × 200	90 LC * 4	91,5	
15,1	1311	0,95	MR ICI 100 - 24 × 200	90 LC 4	92,9	
14	1380	2,5	MR C3I 125 - 28 × 250	100 LA 4	100	
14,5	1360	1,9	MR ICI 125 - 24 × 200	90 LC 4	96,4	
14,3	1378	1,7	MR ICI 125 - 28 × 250	100 LA 4	97,7	
14,5	1360	2,24	MR ICI 140 - 24 × 200	90 LC 4	96,4	
14,3	1386	3,15	MR C2I 140 - 28 × 250	100 LA 4	98,2	
14,2	1389	4	MR ICI 160 - 28 × 250	100 LA 4	98,5	

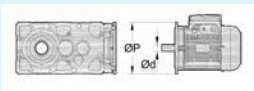
1) Powers valid for continuous duty S1; **increase possible** for duty cycles S2 ... S10 (see ch. 1 «General specifications»): in which case M_2 increases and f_s decreases.

2) For complete designation when ordering see ch. 2.

* Mounting position **B5R** (see ch. 1.2).



P_1 kW	n_2 min ⁻¹	M_2 N m	f_s		i
1)				2)	
2,2	16	1238	3,55	MR C2I 140 - 28 × 250 100 LA	4 87,8
18,3	1081	1,18	MR ICI 100 - 19 × 200 90 LC *	4 76,7	
18,3	1078	1	MR ICI 100 - 24 × 200 90 LC	4 76,4	
19,1	1033	1,25	MR ICI 100 - 28 × 250 100 LA	4 73,2	
18,7	1057	1,18	MR ICI 100 - 28 × 250 112 M	6 48,2	
17,9	1102	2,36	MR ICI 125 - 28 × 250 100 LA	4 78,1	
17,9	1102	2,65	MR ICI 140 - 28 × 250 100 LA	4 78,1	
17,8	1108	4,25	MR C2I 140 - 28 × 250 100 LA	4 78,6	
19,9	990	4,25	MR C2I 140 - 28 × 250 100 LA	4 70,2	
22,9	863	1,4	MR ICI 100 - 24 × 200 90 LC	4 61,2	
23,2	850	1,25	MR ICI 100 - 28 × 250 100 LA	4 60,2	
23,3	846	1,6	MR ICI 100 - 28 × 250 112 M	6 38,5	
24,6	820	1,4	MR CI 100 - 28 × 250 112 M	6 36,6	
22,1	894	2,8	MR ICI 125 - 28 × 250 100 LA	4 63,4	
22,6	874	5	MR C2I 140 - 28 × 250 100 LA	4 62	
25,3	781	5,3	MR C2I 140 - 28 × 250 100 LA	4 55,4	
26,9	734	0,8	MR ICI 80 - 24 × 200 90 LC	4 52	
26,9	734	0,9	MR ICI 81 - 24 × 200 90 LC	4 52	
28,6	690	2	MR ICI 100 - 24 × 200 90 LC	4 48,9	
29,1	680	1,8	MR ICI 100 - 28 × 250 100 LA	4 48,2	
29,9	675	1,6	MR CI 100 - 28 × 250 112 M	6 30,1	
27,6	715	3,75	MR ICI 125 - 28 × 250 100 LA	4 50,7	
27,8	712	5,6	MR C2I 140 - 28 × 250 100 LA	4 50,4	
33,7	587	1	MR ICI 80 - 24 × 200 90 LC	4 41,6	
33,7	587	1,12	MR ICI 81 - 24 × 200 90 LC	4 41,6	
34,6	583	1	MR CI 80 - 28 × 250 112 M	6 26	
34,6	583	1,12	MR CI 81 - 28 × 250 112 M	6 26	
35,1	562	2,36	MR ICI 100 - 24 × 200 90 LC	4 39,8	
36,3	544	2,5	MR ICI 100 - 28 × 250 100 LA	4 38,5	
38,2	527	2,12	MR CI 100 - 24 × 200 90 LC	4 36,6	
38,2	527	2,12	MR CI 100 - 28 × 250 100 LA	4 36,6	
37,4	540	2	MR CI 100 - 28 × 250 112 M	6 24,1	
43,7	452	0,85	MR ICI 64 - 19 × 200 90 LC *	4 32	
42	470	1,32	MR ICI 80 - 24 × 200 90 LC	4 33,3	
42	470	1,5	MR ICI 81 - 24 × 200 90 LC	4 33,3	
43,1	468	1	MR CI 80 - 24 × 200 90 LC	4 32,5	
43,1	468	1,25	MR CI 81 - 24 × 200 90 LC	4 32,5	
43,1	468	1	MR CI 80 - 28 × 250 100 LA	4 32,5	
43,1	468	1,25	MR CI 81 - 28 × 250 100 LA	4 32,5	
43,3	466	1,25	MR CI 80 - 28 × 250 112 M	6 20,8	
43,3	466	1,4	MR CI 81 - 28 × 250 112 M	6 20,8	
44,6	443	3,55	MR ICI 100 - 24 × 200 90 LC	4 31,4	
44,6	443	3	MR ICI 100 - 28 × 250 100 LA	4 31,4	
46,5	434	2,36	MR CI 100 - 24 × 200 90 LC	4 30,1	
46,5	434	2,36	MR CI 100 - 28 × 250 100 LA	4 30,1	
55,5	356	0,9	MR ICI 63 - 24 × 200 90 LC	4 25,2	
55,5	356	1,06	MR ICI 64 - 24 × 200 90 LC	4 25,2	
56	360	0,9	MR CI 64 - 24 × 200 90 LC	4 25	
53,3	371	1,8	MR ICI 80 - 24 × 200 90 LC	4 26,3	
53,3	371	2,12	MR ICI 81 - 24 × 200 90 LC	4 26,3	
53,8	375	1,5	MR CI 80 - 24 × 200 90 LC	4 26	
53,8	375	1,7	MR CI 81 - 24 × 200 90 LC	4 26	
53,8	375	1,5	MR CI 80 - 28 × 250 100 LA	4 26	
53,8	375	1,7	MR CI 81 - 28 × 250 100 LA	4 26	
56,6	349	4,5	MR ICI 100 - 28 × 250 100 LA	4 24,7	
67,6	292	1,12	MR ICI 63 - 24 × 200 90 LC	4 20,7	
67,6	292	1,25	MR ICI 64 - 24 × 200 90 LC	4 20,7	
70	288	0,95	MR CI 63 - 24 × 200 90 LC	4 20	
70	288	1,12	MR CI 64 - 24 × 200 90 LC	4 20	
70,8	279	1,9	MR ICI 80 - 24 × 200 90 LC	4 19,8	
70,8	279	2,36	MR ICI 81 - 24 × 200 90 LC	4 19,8	
67,3	300	1,9	MR CI 80 - 24 × 200 90 LC	4 20,8	
67,3	300	2,24	MR CI 81 - 24 × 200 90 LC	4 20,8	
67,3	300	1,9	MR CI 80 - 28 × 250 100 LA	4 20,8	
67,3	300	2,24	MR CI 81 - 28 × 250 100 LA	4 20,8	
67,9	291	4,75	MR ICI 100 - 28 × 250 100 LA	4 20,6	
87,5	231	1,18	MR CI 63 - 24 × 200 90 LC	4 16	
87,5	231	1,4	MR CI 64 - 24 × 200 90 LC	4 16	
84	240	2,5	MR CI 80 - 24 × 200 90 LC	4 16,7	
84	240	2,5	MR CI 80 - 28 × 250 100 LA	4 16,7	
84	240	2,8	MR CI 81 - 28 × 250 100 LA	4 16,7	

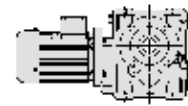
P_1 kW	n_2 min ⁻¹	M_2 N m	f_s		i
1)				2)	
2,2	111	182	1,7	MR CI 63 - 24 × 200 90 LC	4 12,6
	111	182	2	MR CI 64 - 24 × 200 90 LC	4 12,6
	107	189	3,35	MR CI 80 - 28 × 250 100 LA	4 13,1
	135	149	1,9	MR CI 63 - 24 × 200 90 LC	4 10,4
	135	149	2	MR CI 64 - 24 × 200 90 LC	4 10,4
	142	142	3,75	MR CI 80 - 28 × 250 100 LA	4 9,88
	175	115	1,9	MR CI 63 - 24 × 200 90 LC	4 7,98
	175	115	2	MR CI 64 - 24 × 200 90 LC	4 7,98
	182	111	3,75	MR CI 80 - 28 × 250 100 LA	4 7,71
	222	91	1,9	MR CI 63 - 24 × 200 90 LC	4 6,31
	222	91	2	MR CI 64 - 24 × 200 90 LC	4 6,31
	227	89	3,75	MR CI 80 - 28 × 250 100 LA	4 6,16
3	5,98	4506	0,95	MR C2I 140 - 28 × 250 112 MC	6 151
	5,98	4506	0,95	MR C2I 140 - 38 × 300 132 S	6 151
	5,85	4604	1,4	MR C2I 160 - 28 × 250 112 MC	6 154
	5,85	4604	1,4	MR C2I 160 - 38 × 300 132 S	6 154
	5,68	4742	2	MR C2I 180 - 28 × 250 112 MC	6 158
	5,68	4742	2	MR C2I 180 - 38 × 300 132 S	6 158
	5,94	4533	3	MR C2I 200 - 38 × 300 132 S	6 151
	7,33	3674	1,18	MR C2I 140 - 28 × 250 112 MC	6 123
	7,33	3674	1,18	MR C2I 140 - 38 × 300 132 S	6 123
	7,31	3683	1,25	MR ICI 160 - 28 × 250 112 MC	6 123
	6,97	3865	2	MR C2I 160 - 28 × 250 112 MC	6 129
	6,97	3865	2	MR C2I 160 - 38 × 300 132 S	6 129
	6,93	3884	2,5	MR C2I 180 - 28 × 250 112 MC	6 130
	6,93	3884	2,5	MR C2I 180 - 38 × 300 132 S	6 130
	7,7	3499	2,65	MR ICI 200 - 38 × 300 132 S	6 117
	8,83	2984	0,95	MR C3I 125 - 28 × 250 112 MA	4 158
	9,3	2896	1,4	MR C2I 140 - 28 × 250 112 MC	4 151
	9,16	2939	1,5	MR C2I 140 - 28 × 250 112 MC	6 98,2
	9,16	2939	1,5	MR C2I 140 - 38 × 300 132 S	6 98,2
	9,14	2946	1,9	MR ICI 160 - 28 × 250 112 MC	6 98,5
	9,1	2959	2,12	MR C2I 160 - 28 × 250 112 MC	4 154
	8,71	3092	2,5	MR C2I 160 - 28 × 250 112 MC	6 103
	8,71	3092	2,5	MR C2I 160 - 38 × 300 132 S	6 103
	8,87	3035	2	MR ICI 180 - 28 × 250 112 MC	6 101
	8,83	3049	3	MR C2I 180 - 28 × 250 112 MA	4 158
	9,62	2799	4	MR ICI 200 - 38 × 300 132 S	6 93,5
	11	2387	1,12	MR C3I 125 - 28 × 250 112 MA	4 127
	11,6	2319	1	MR ICI 125 - 24 × 200 112 MA *	4 121
	11,5	2338	1,12	MR ICI 125 - 28 × 250 112 MC	6 78,1
	11,5	2338	1,32	MR ICI 140 - 28 × 250 112 MC	6 78,1
	11,4	2362	1,8	MR C2I 140 - 28 × 250 112 MA	4 123
	11,4	2368	1,9	MR ICI 160 - 28 × 250 112 MA	4 123
	11,5	2338	2,36	MR ICI 160 - 28 × 250 112 MC	6 78,1
	10,8	2485	3	MR C2I 160 - 28 × 250 112 MA	4 129
	11,5	2338	4,75	MR ICI 200 - 38 × 300 132 S	6 78,1
	14	1882	1,9	MR C3I 125 - 28 × 250 112 MA	4 100
	14,5	1855	1,4	MR ICI 125 - 24 × 200 112 MA *	4 96,4
	14,3	1879	1,25	MR ICI 125 - 28 × 250 112 MA	4 97,7
	14,2	1897	1,32	MR ICI 125 - 28 × 250 112 MC	6 63,4
	14,2	1899	1,25	MR ICI 125 - 38 × 300 132 S	6 63,4
	14,5	1855	1,6	MR ICI 140 - 24 × 200 112 MA *	4 96,4
	14,2	1897	1,6	MR ICI 140 - 28 × 250 112 MC	6 63,4
	14,3	1889	2,24	MR C2I 140 - 28 × 250 112 MA	4 98,2
	14,2	1894	3	MR ICI 160 - 28 × 250 112 MA	4 98,5
	16	1688	2,5	MR C2I 140 - 28 × 250 112 MA	4 87,8
	18,7	1442	0,85	MR ICI 100 - 28 × 250 112 MC	6 48,2
	17,9	1503	1,7	MR ICI 125 - 28 × 250 112 MA	4 78,1
	17,9	1503	2	MR ICI 140 - 28 × 250 112 MA	4 78,1
	17,7	1518	2,36	MR ICI 140 - 28 × 250 112 MC	6 50,7
	17,7	1519	1,9	MR ICI 140 - 38 × 300 132 S	6 50,8
	17,8	1511	3	MR C2I 140 - 28 × 250 112 MA	4 78,6
	17,9	1503	3,75	MR ICI 160 - 28 × 250 112 MA	4 78,1
	19,9	1351	3,15	MR C2I 140 - 28 × 250 112 MA	4 70,2

1) Powers valid for continuous duty S1; **increase possible** for duty cycles S2 ... S10 (see ch. 1 «General specifications»): in which case M_2 increases and f_s decreases.

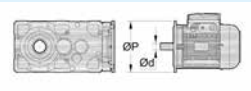
2) For complete designation when ordering see ch. 2.

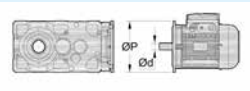
* Mounting position **B5R** (see ch. 1.2).

Bevel helical gearmotor selection tables



13

P_1	n_2	M_2	f_s		i
kW	min ⁻¹	N m			
1)				2)	
3	22,9	1176	1,06	MR ICI 100 - 24 × 200 112 MA *	4 61,2
	23,2	1159	0,95	MR ICI 100 - 28 × 250 112 MA	4 60,2
	23,3	1153	1,18	MR ICI 100 - 28 × 250 112 MC	6 38,5
	24,6	1119	1,06	MR CI 100 - 28 × 250 112 MC	6 36,6
	22,1	1219	2,12	MR ICI 125 - 28 × 250 112 MA	4 63,4
	22,6	1192	3,75	MR C2I 140 - 28 × 250 112 MA	4 62
	25,3	1065	4	MR C2I 140 - 28 × 250 112 MA	4 55,4
	29,1	927	1,32	MR ICI 100 - 28 × 250 112 MA	4 48,2
	29,9	920	1,18	MR CI 100 - 28 × 250 112 MC	6 30,1
	29,9	920	1,18	MR CI 100 - 38 × 300 132 S	6 30,1
	27,6	976	2,65	MR ICI 125 - 28 × 250 112 MA	4 50,7
	28,8	955	2,12	MR CI 125 - 38 × 300 132 S	6 31,3
	27,8	970	4,25	MR C2I 140 - 28 × 250 112 MA	4 50,4
	33,7	800	0,85	MR ICI 81 - 24 × 200 112 MA *	4 41,6
	34,6	795	0,85	MR CI 81 - 28 × 250 112 MC	6 26
	36,3	741	1,8	MR ICI 100 - 28 × 250 112 MA	4 38,5
	38,2	719	1,6	MR CI 100 - 28 × 250 112 MA	4 36,6
	37,4	736	1,5	MR CI 100 - 28 × 250 112 MC	6 24,1
	37,4	736	1,5	MR CI 100 - 38 × 300 132 S	6 24,1
	34,5	780	3,55	MR ICI 125 - 28 × 250 112 MA	4 40,6
	36	764	3,35	MR CI 125 - 38 × 300 132 S	6 25
	42	641	0,95	MR ICI 80 - 24 × 200 112 MA *	4 33,3
	42	641	1,06	MR ICI 81 - 24 × 200 112 MA *	4 33,3
	43,1	638	0,9	MR CI 81 - 28 × 250 112 MA	4 32,5
	43,3	636	0,9	MR CI 80 - 28 × 250 112 MC	6 20,8
	43,3	636	1,06	MR CI 81 - 28 × 250 112 MC	6 20,8
	44,6	604	2,12	MR ICI 100 - 28 × 250 112 MA	4 31,4
	46,5	592	1,8	MR CI 100 - 28 × 250 112 MA	4 30,1
	46,7	589	2,24	MR CI 100 - 28 × 250 112 MC	6 19,3
	46,7	589	2,24	MR CI 100 - 38 × 300 132 S	6 19,3
	45	611	4,25	MR CI 125 - 38 × 300 132 S	6 20
	53,3	506	1,32	MR ICI 80 - 24 × 200 112 MA *	4 26,3
	53,3	506	1,5	MR ICI 81 - 24 × 200 112 MA *	4 26,3
	53,8	511	1,12	MR CI 80 - 28 × 250 112 MA	4 26
	53,8	511	1,25	MR CI 81 - 28 × 250 112 MA	4 26
	56,6	476	3,35	MR ICI 100 - 28 × 250 112 MA	4 24,7
	58,1	473	2,24	MR CI 100 - 28 × 250 112 MA	4 24,1
	70	393	0,85	MR CI 64 - 24 × 200 112 MA *	4 20
	70,8	380	1,4	MR ICI 80 - 24 × 200 112 MA *	4 19,8
	70,8	380	1,7	MR ICI 81 - 24 × 200 112 MA *	4 19,8
	67,3	409	1,4	MR CI 80 - 28 × 250 112 MA	4 20,8
	67,3	409	1,6	MR CI 81 - 28 × 250 112 MA	4 20,8
	67,9	396	3,55	MR ICI 100 - 28 × 250 112 MA	4 20,6
	72,6	379	3,35	MR CI 100 - 28 × 250 112 MA	4 19,3
	87,5	314	1,06	MR CI 64 - 24 × 200 112 MA *	4 16
	84	327	1,8	MR CI 80 - 28 × 250 112 MA	4 16,7
	84	327	2	MR CI 81 - 28 × 250 112 MA	4 16,7
	89,2	308	3,55	MR CI 100 - 28 × 250 112 MA	4 15,7
	111	248	1,5	MR CI 64 - 24 × 200 112 MA *	4 12,6
	107	258	2,5	MR CI 80 - 28 × 250 112 MA	4 13,1
113	243	5,3	MR CI 100 - 28 × 250 112 MA	4 12,4	
135	204	1,5	MR CI 64 - 24 × 200 112 MA *	4 10,4	
142	194	2,65	MR CI 80 - 28 × 250 112 MA	4 9,88	
175	157	1,5	MR CI 64 - 24 × 200 112 MA *	4 7,98	
182	151	2,65	MR CI 80 - 28 × 250 112 MA	4 7,71	
222	124	1,5	MR CI 64 - 24 × 200 112 MA *	4 6,31	
227	121	2,65	MR CI 80 - 28 × 250 112 MA	4 6,16	
4	5,85	6138	1,06	MR C2I 160 - 38 × 300 132 M	6 154
	5,68	6323	1,5	MR C2I 180 - 38 × 300 132 M	6 158
	5,94	6044	2,24	MR C2I 200 - 38 × 300 132 M	6 151
	5,77	6226	3	MR C2I 225 - 38 × 300 132 M	6 156
	6,97	5153	1,5	MR C2I 160 - 38 × 300 132 M	6 129
	6,93	5179	1,8	MR C2I 180 - 38 × 300 132 M	6 130
	7,7	4665	2	MR ICI 200 - 38 × 300 132 M	6 117
	7,08	5074	3,15	MR C2I 200 - 38 × 300 132 M	6 127

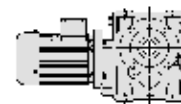
P_1	n_2	M_2	f_s		i
kW	min ⁻¹	N m			
1)				2)	
4	9,3	3862	1	MR C2I 140 - 28 × 250 112 M	4 151
	9,16	3919	1,12	MR C2I 140 - 38 × 300 132 M	6 98,2
	9,1	3946	1,6	MR C2I 160 - 28 × 250 112 M	4 154
	8,83	4065	2,24	MR C2I 180 - 28 × 250 112 M	4 158
	9,62	3732	3	MR ICI 200 - 38 × 300 132 M	6 93,5
	11	3183	0,85	MR C3I 125 - 28 × 250 112 M	4 127
	11,4	3149	1,32	MR C2I 140 - 28 × 250 112 M	4 123
	11,4	3157	1,5	MR ICI 160 - 28 × 250 112 M	4 123
	10,8	3313	2,24	MR C2I 160 - 28 × 250 112 M	4 129
	11,5	3117	3,55	MR ICI 200 - 38 × 300 132 M	6 78,1
	14	2509	1,4	MR C3I 125 - 28 × 250 112 M	4 100
	14,5	2473	1,06	MR ICI 125 - 24 × 200 112 M *	4 96,4
	14,3	2505	0,95	MR ICI 125 - 28 × 250 112 M	4 97,7
	14,5	2473	1,18	MR ICI 140 - 24 × 200 112 M *	4 96,4
	14,3	2519	1,7	MR C2I 140 - 28 × 250 112 M	4 98,2
	14,2	2525	2,24	MR ICI 160 - 28 × 250 112 M	4 98,5
	13,5	2650	2,65	MR C2I 160 - 28 × 250 112 M	4 103
	13,8	2601	2,36	MR ICI 180 - 28 × 250 112 M	4 101
	16	2251	1,9	MR C2I 140 - 28 × 250 112 M	4 87,8
	15,5	2318	3,35	MR C2I 160 - 28 × 250 112 M	4 90,4
	17,9	2004	1,25	MR ICI 125 - 28 × 250 112 M	4 78,1
	17,9	2004	1,5	MR ICI 140 - 28 × 250 112 M	4 78,1
	17,7	2025	1,5	MR ICI 140 - 38 × 300 132 M	6 50,8
	17,8	2015	2,24	MR C2I 140 - 28 × 250 112 M	4 78,6
	17,9	2004	2,8	MR ICI 160 - 28 × 250 112 M	4 78,1
	19,9	1801	2,36	MR C2I 140 - 28 × 250 112 M	4 70,2
	22,9	1569	0,8	MR ICI 100 - 24 × 200 112 M *	4 61,2
	22,1	1626	1,6	MR ICI 125 - 28 × 250 112 M	4 63,4
	22,1	1626	1,8	MR ICI 140 - 28 × 250 112 M	4 63,4
	22,6	1589	2,8	MR C2I 140 - 28 × 250 112 M	4 62
	22,4	1603	3,55	MR ICI 160 - 28 × 250 112 M	4 62,5
	25,3	1420	3	MR C2I 140 - 28 × 250 112 M	4 55,4
	29,1	1236	1	MR ICI 100 - 28 × 250 112 M	4 48,2
	27,6	1301	2	MR ICI 125 - 28 × 250 112 M	4 50,7
	28,8	1273	1,6	MR CI 125 - 38 × 300 132 M	6 31,3
	27,6	1301	2,8	MR ICI 140 - 28 × 250 112 M	4 50,7
	27,8	1294	3,15	MR C2I 140 - 28 × 250 112 M	4 50,4
	36,3	989	1,4	MR ICI 100 - 28 × 250 112 M	4 38,5
	38,2	959	1,18	MR CI 100 - 28 × 250 112 M	4 36,6
	37,4	982	1,12	MR CI 100 - 38 × 300 132 M	6 24,1
	34,5	1041	2,65	MR ICI 125 - 28 × 250 112 M	4 40,6
	36	1019	2,5	MR CI 125 - 38 × 300 132 M	6 25
	44,6	805	1,6	MR ICI 100 - 28 × 250 112 M	4 31,4
	46,5	789	1,32	MR CI 100 - 28 × 250 112 M	4 30,1
	46,7	785	1,7	MR CI 100 - 38 × 300 132 M	6 19,3
	43,8	820	3,35	MR ICI 125 - 28 × 250 112 M	4 32
	45	815	3,15	MR CI 125 - 38 × 300 132 M	6 20
	53,8	681	0,85	MR CI 80 - 28 × 250 112 M	4 26
	53,8	681	0,95	MR CI 81 - 28 × 250 112 M	4 26
	56,6	635	2,5	MR ICI 100 - 28 × 250 112 M	4 24,7
58,1	631	1,7	MR CI 100 - 28 × 250 112 M	4 24,1	
53,3	674	4,25	MR ICI 125 - 28 × 250 112 M	4 26,3	
56,3	652	4	MR CI 125 - 38 × 300 132 M	6 16	
67,3	545	1,06	MR CI 80 - 28 × 250 112 M	4 20,8	
67,3	545	1,18	MR CI 81 - 28 × 250 112 M	4 20,8	
67,9	528	2,65	MR ICI 100 - 28 × 250 112 M	4 20,6	
72,6	505	2,5	MR CI 100 - 28 × 250 112 M	4 19,3	
84	437	1,32	MR CI 80 - 28 × 250 112 M	4 16,7	
84	437	1,5	MR CI 81 - 28 × 250 112 M	4 16,7	
89,2	411	2,65	MR CI 100 - 28 × 250 112 M	4 15,7	
107	344	1,9	MR CI 80 - 28 × 250 112 M	4 13,1	
107	344	2,24	MR CI 81 - 28 × 250 112 M	4 13,1	
113	324	4	MR CI 100 - 28 × 250 112 M	4 12,4	
142	259	2	MR CI 80 - 28 × 250 112 M	4 9,88	
142	259	2,5	MR CI 81 - 28 × 250 112 M	4 9,88	

1) Powers valid for continuous duty S1; **increase possible** for duty cycles S2 ... S10 (see ch. 1 «General specifications»): in which case M_2 increases and f_s decreases.

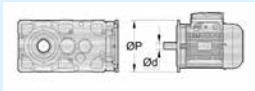
2) For complete designation when ordering see ch. 2.

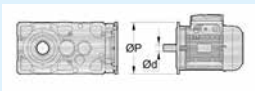
* Mounting position **B5R** (see ch. 1.2).

Bevel helical gearmotor selection tables



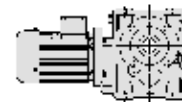
13

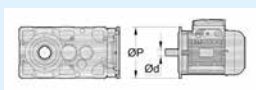
P_1 kW	n_2 min ⁻¹	M_2 N m	f_s		i
1)				2)	
4	182	202	2	MR CI 80 - 28 × 250 112 M	4 7,71
	182	202	2,5	MR CI 81 - 28 × 250 112 M	4 7,71
	227	161	2	MR CI 80 - 28 × 250 112 M	4 6,16
	227	161	2,5	MR CI 81 - 28 × 250 112 M	4 6,16
5,5	5,68	8694	1,06	MR C2I 180 - 38 × 300 132 MB	6 158
	5,94	8310	1,6	MR C2I 200 - 38 × 300 132 MB	6 151
	5,77	8560	2,24	MR C2I 225 - 38 × 300 132 MB	6 156
	6,97	7086	1,06	MR C2I 160 - 38 × 300 132 MB	6 129
	6,93	7121	1,32	MR C2I 180 - 38 × 300 132 MB	6 130
	7,7	6414	1,5	MR ICI 200 - 38 × 300 132 MB	6 117
	7,08	6977	2,24	MR C2I 200 - 38 × 300 132 MB	6 127
	7,18	6873	2,65	MR C2I 225 - 38 × 300 132 MB	6 125
	9,1	5426	1,18	MR C2I 160 - 28 × 250 112 MC	4 154
	9,1	5426	1,18	MR C2I 160 - 38 × 300 132 S	4 154
	8,83	5589	1,6	MR C2I 180 - 28 × 250 112 MC	4 158
	8,83	5589	1,6	MR C2I 180 - 38 × 300 132 S	4 158
	8,67	5697	1,7	MR C2I 180 - 38 × 300 132 MB	6 104
	9,62	5131	2,24	MR ICI 200 - 38 × 300 132 MB	6 93,5
	9,24	5342	2,36	MR C2I 200 - 38 × 300 132 S	4 151
	8,97	5503	3,35	MR C2I 225 - 38 × 300 132 S	4 156
	10,3	4814	0,9	MR C2I 140 - 38 × 300 132 MB	6 87,8
	11,4	4330	0,95	MR C2I 140 - 28 × 250 112 MC	4 123
	11,4	4330	0,95	MR C2I 140 - 38 × 300 132 S	4 123
	11,5	4310	1,12	MR C2I 140 - 38 × 300 132 MB	6 78,6
	11,4	4341	1,06	MR ICI 160 - 28 × 250 112 MC	4 123
	11,4	4314	1,06	MR ICI 160 - 38 × 300 132 MB	6 78,6
	10,8	4555	1,6	MR C2I 160 - 28 × 250 112 MC	4 129
	10,8	4555	1,6	MR C2I 160 - 38 × 300 132 S	4 129
	10,8	4578	2	MR C2I 180 - 28 × 250 112 MC	4 130
	10,8	4578	2	MR C2I 180 - 38 × 300 132 S	4 130
	12	4124	2,24	MR ICI 200 - 38 × 300 132 S	4 117
	11	4485	3,35	MR C2I 200 - 38 × 300 132 S	4 127
	14,3	3464	1,25	MR C2I 140 - 28 × 250 112 MC	4 98,2
	14,3	3464	1,25	MR C2I 140 - 38 × 300 132 S	4 98,2
	14,2	3472	1,6	MR ICI 160 - 28 × 250 112 MC	4 98,5
	14,3	3451	1,6	MR ICI 160 - 38 × 300 132 MB	6 62,9
	13,5	3644	2	MR C2I 160 - 28 × 250 112 MC	4 103
	13,5	3644	2	MR C2I 160 - 38 × 300 132 S	4 103
	13,8	3577	1,7	MR ICI 180 - 28 × 250 112 MC	4 101
	13,9	3555	1,7	MR ICI 180 - 38 × 300 132 MB	6 64,8
	13,5	3662	2,65	MR C2I 180 - 38 × 300 132 S	4 104
	15	3299	3,35	MR ICI 200 - 38 × 300 132 S	4 93,5
	16	3095	1,4	MR C2I 140 - 28 × 250 112 MC	4 87,8
	16	3095	1,4	MR C2I 140 - 38 × 300 132 S	4 87,8
	15,5	3188	2,5	MR C2I 160 - 28 × 250 112 MC	4 90,4
	15,5	3188	2,5	MR C2I 160 - 38 × 300 132 S	4 90,4
	17,9	2755	0,95	MR ICI 125 - 28 × 250 112 MC	4 78,1
	17,7	2785	0,9	MR ICI 125 - 38 × 300 132 MB	6 50,8
	17,9	2755	1,06	MR ICI 140 - 28 × 250 112 MC	4 78,1
	17,7	2785	1,06	MR ICI 140 - 38 × 300 132 MB	6 50,8
	17,8	2771	1,7	MR C2I 140 - 28 × 250 112 MC	4 78,6
	17,8	2771	1,7	MR C2I 140 - 38 × 300 132 S	4 78,6
	17,9	2755	2	MR ICI 160 - 28 × 250 112 MC	4 78,1
	17,8	2773	1,6	MR ICI 160 - 38 × 300 132 S	4 78,6
	16,9	2915	2,36	MR C2I 160 - 38 × 300 132 S	4 82,7
	17,4	2838	2,12	MR ICI 180 - 28 × 250 112 MC	4 80,5
	17,4	2844	2,65	MR ICI 180 - 38 × 300 132 MB	6 51,8
	17,9	2755	4	MR ICI 200 - 38 × 300 132 S	4 78,1
	19,9	2476	1,7	MR C2I 140 - 28 × 250 112 MC	4 70,2
	19,9	2476	1,7	MR C2I 140 - 38 × 300 132 S	4 70,2
	19,4	2550	3	MR C2I 160 - 38 × 300 132 S	4 72,3
22,1	2236	1,12	MR ICI 125 - 28 × 250 112 MC	4 63,4	
22,1	2238	1,06	MR ICI 125 - 38 × 300 132 S	4 63,4	
22,2	2228	1,18	MR ICI 125 - 38 × 300 132 MB	6 40,6	
22,1	2236	1,32	MR ICI 140 - 28 × 250 112 MC	4 63,4	
22,2	2228	1,6	MR ICI 140 - 38 × 300 132 MB	6 40,6	
22,6	2185	2	MR C2I 140 - 28 × 250 112 MC	4 62	
22,6	2185	2	MR C2I 140 - 38 × 300 132 S	4 62	
22,3	2218	2,5	MR ICI 160 - 38 × 300 132 S	4 62,9	
21,5	2299	3	MR C2I 160 - 38 × 300 132 S	4 65,2	

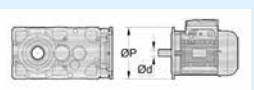
P_1 kW	n_2 min ⁻¹	M_2 N m	f_s		i
1)				2)	
5,5	25,3	1952	2,12	MR C2I 140 - 38 × 300 132 S	4 55,4
	27,6	1789	1,5	MR ICI 125 - 28 × 250 112 MC	4 50,7
	27,6	1790	1,4	MR ICI 125 - 38 × 300 132 S	4 50,8
	28,8	1751	1,18	MR CI 125 - 38 × 300 132 MB	6 31,3
	27,6	1789	2	MR ICI 140 - 28 × 250 112 MC	4 50,7
	27,6	1790	1,6	MR ICI 140 - 38 × 300 132 S	4 50,8
	28,1	1756	2	MR ICI 140 - 38 × 300 132 MB	6 32
	27,8	1779	2,36	MR C2I 140 - 38 × 300 132 S	4 50,4
	27,8	1775	3,15	MR ICI 160 - 38 × 300 132 S	4 50,3
	31,1	1590	2,65	MR C2I 140 - 38 × 300 132 S	4 45,1
	36,3	1359	1	MR ICI 100 - 28 × 250 112 MC	4 38,5
	37,4	1350	0,8	MR CI 100 - 38 × 300 132 MB	6 24,1
	34,5	1431	2	MR ICI 125 - 28 × 250 112 MC	4 40,6
	34,5	1432	1,8	MR ICI 125 - 38 × 300 132 S	4 40,6
	36	1401	1,8	MR CI 125 - 38 × 300 132 MB	6 25
	35	1410	2,5	MR ICI 140 - 28 × 250 112 MC	4 40
	34,5	1432	2,5	MR ICI 140 - 38 × 300 132 S	4 40,6
	36,2	1364	3	MR C2I 140 - 38 × 300 132 S	4 38,7
	37,3	1324	3,15	MR C2I 140 - 38 × 300 132 S	4 37,5
	44,6	1107	1,18	MR ICI 100 - 28 × 250 112 MC	4 31,4
	46,5	1085	0,95	MR CI 100 - 28 × 250 112 MC	4 30,1
	46,5	1085	0,95	MR CI 100 - 38 × 300 132 S	4 30,1
	46,7	1080	1,25	MR CI 100 - 38 × 300 132 MB	6 19,3
	43,1	1146	2,5	MR ICI 125 - 38 × 300 132 S	4 32,5
	44,8	1126	1,8	MR CI 125 - 38 × 300 132 S	4 31,3
	45	1121	2,36	MR CI 125 - 38 × 300 132 MB	6 20
	43,5	1135	3,15	MR C2I 140 - 38 × 300 132 S	4 32,2
	47,1	1049	4	MR C2I 140 - 38 × 300 132 S	4 29,8
	56,6	873	1,8	MR ICI 100 - 28 × 250 112 MC	4 24,7
	58,1	868	1,25	MR CI 100 - 28 × 250 112 MC	4 24,1
	58,1	868	1,25	MR CI 100 - 38 × 300 132 S	4 24,1
	54,7	903	3	MR ICI 125 - 38 × 300 132 S	4 25,6
	56	900	2,8	MR CI 125 - 38 × 300 132 S	4 25
	67,3	749	0,9	MR CI 81 - 28 × 250 112 MC	4 20,8
	67,9	727	1,9	MR ICI 100 - 28 × 250 112 MC	4 20,6
	72,6	694	1,9	MR CI 100 - 28 × 250 112 MC	4 19,3
	72,6	694	1,9	MR CI 100 - 38 × 300 132 S	4 19,3
	66,5	742	3,75	MR ICI 125 - 38 × 300 132 S	4 21
	70	720	3,55	MR CI 125 - 38 × 300 132 S	4 20
	84	600	1	MR CI 80 - 28 × 250 112 MC	4 16,7
	84	600	1,12	MR CI 81 - 28 × 250 112 MC	4 16,7
	89,2	565	2	MR CI 100 - 28 × 250 112 MC	4 15,7
	89,2	565	2	MR CI 100 - 38 × 300 132 S	4 15,7
	87,5	576	4,25	MR CI 125 - 38 × 300 132 S	4 16
	107	473	1,4	MR CI 80 - 28 × 250 112 MC	4 13,1
	107	473	1,6	MR CI 81 - 28 × 250 112 MC	4 13,1
	113	446	2,8	MR CI 100 - 28 × 250 112 MC	4 12,4
113	446	2,8	MR CI 100 - 38 × 300 132 S	4 12,4	
142	356	1,5	MR CI 80 - 28 × 250 112 MC	4 9,88	
142	356	1,8	MR CI 81 - 28 × 250 112 MC	4 9,88	
136	371	2,8	MR CI 100 - 28 × 250 112 MC	4 10,3	
136	371	2,8	MR CI 100 - 38 × 300 132 S	4 10,3	
182	278	1,5	MR CI 80 - 28 × 250 112 MC	4 7,71	
182	278	1,8	MR CI 81 - 28 × 250 112 MC	4 7,71	
174	290	2,8	MR CI 100 - 38 × 300 132 S	4 8,06	
227	222	1,5	MR CI 80 - 28 × 250 112 MC	4 6,16	
227	222	1,8	MR CI 81 - 28 × 250 112 MC	4 6,16	
217	233	2,8	MR CI 100 - 38 × 300 132 S	4 6,46	
7,5	5,94	11332	1,18	MR C2I 200 - 38 × 300 132 MC	6 151
	5,94	11332	1,18	MR C2I 200 - 42 × 350 160 M	6 151
	5,77	11673	1,6	MR C2I 225 - 38 × 300 132 MC	6 156
	5,77	11673	1,6	MR C2I 225 - 42 × 350 160 M	6 156
	5,76	11686	2,36	MR C2I 250 - 42 × 350 160 M	6 156
	5,85	11509	3,15	MR C2I 280 - 42 × 350 160 M	6 154

1) Powers valid for continuous duty S1; **increase possible** for duty cycles S2 ... S10 (see ch. 1 «General specifications»): in which case M_2 increases and f_s decreases.

2) For complete designation when ordering see ch. 2.



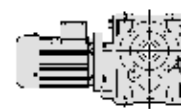
P_1	n_2	M_2	f_s		i
kW	min ⁻¹	N m			
1)				2)	
7,5	6,93	9711	0,95	MR C2I 180 - 38 × 300	132 MC 6 130
	6,93	9711	0,95	MR C2I 180 - 42 × 350	160 M 6 130
	7,7	8747	1,06	MR ICI 200 - 38 × 300	132 MC 6 117
	7,08	9514	1,6	MR C2I 200 - 38 × 300	132 MC 6 127
	7,08	9514	1,6	MR C2I 200 - 42 × 350	160 M 6 127
	7,18	9372	1,9	MR C2I 225 - 38 × 300	132 MC 6 125
	7,18	9372	1,9	MR C2I 225 - 42 × 350	160 M 6 125
	7,31	9207	3,35	MR C2I 250 - 42 × 350	160 M 6 123
	8,83	7622	1,18	MR C2I 180 - 38 × 300	132 M 4 158
	8,67	7769	1,25	MR C2I 180 - 38 × 300	132 MC 6 104
	8,67	7769	1,25	MR C2I 180 - 42 × 350	160 M 6 104
	9,62	6997	1,6	MR ICI 200 - 38 × 300	132 MC 6 93,5
	9,22	7306	1,32	MR ICI 200 - 42 × 350	160 M 6 97,7
	9,24	7285	1,7	MR C2I 200 - 38 × 300	132 M 4 151
	8,97	7504	2,36	MR C2I 225 - 38 × 300	132 M 4 156
	9,96	6762	1,18	MR C2I 160 - 38 × 300	132 MC 6 90,4
	9,96	6762	1,18	MR C2I 160 - 42 × 350	160 M 6 90,4
	10,8	6212	1,18	MR C2I 160 - 38 × 300	132 M 4 129
	10,8	6243	1,5	MR C2I 180 - 38 × 300	132 M 4 130
	12	5623	1,7	MR ICI 200 - 38 × 300	132 M 4 117
	11,5	5845	1,9	MR ICI 200 - 38 × 300	132 MC 6 78,1
	11,5	5845	1,9	MR ICI 200 - 42 × 350	160 M 6 78,1
	11	6116	2,36	MR C2I 200 - 38 × 300	132 M 4 127
	12,8	5252	0,85	MR C2I 140 - 38 × 300	132 MC 6 70,2
	14,3	4723	0,9	MR C2I 140 - 38 × 300	132 M 4 98,2
	14,2	4735	1,18	MR ICI 160 - 28 × 250	132 M * 4 98,5
	14,3	4706	1,18	MR ICI 160 - 38 × 300	132 MC 6 62,9
	14,3	4706	1,18	MR ICI 160 - 42 × 350	160 M 6 62,9
	13,5	4969	1,4	MR C2I 160 - 38 × 300	132 M 4 103
	13,8	4878	1,25	MR ICI 180 - 28 × 250	132 M * 4 101
	13,9	4848	1,25	MR ICI 180 - 38 × 300	132 MC 6 64,8
	13,9	4848	1,25	MR ICI 180 - 42 × 350	160 M 6 64,8
	13,5	4994	1,9	MR C2I 180 - 38 × 300	132 M 4 104
	15	4498	2,5	MR ICI 200 - 38 × 300	132 M 4 93,5
	13,8	4893	2,8	MR C2I 200 - 38 × 300	132 M 4 102
	16	4220	1	MR C2I 140 - 38 × 300	132 M 4 87,8
	15,5	4347	1,8	MR C2I 160 - 38 × 300	132 M 4 90,4
	15,6	4328	1,9	MR C2I 180 - 38 × 300	132 M 4 90
	15,9	4228	3,55	MR C2I 200 - 38 × 300	132 M 4 87,9
	17,9	3757	0,8	MR ICI 140 - 28 × 250	132 M * 4 78,1
	17,7	3797	0,8	MR ICI 140 - 38 × 300	132 MC 6 50,8
	17,8	3779	1,25	MR C2I 140 - 38 × 300	132 M 4 78,6
	17,9	3757	1,5	MR ICI 160 - 28 × 250	132 M * 4 78,1
	17,8	3782	1,18	MR ICI 160 - 38 × 300	132 M 4 78,6
	17,9	3765	1,5	MR ICI 160 - 38 × 300	132 MC 6 50,3
	18,3	3683	1,5	MR ICI 160 - 42 × 350	160 M 6 49,2
	16,9	3976	1,8	MR C2I 160 - 38 × 300	132 M 4 82,7
	17,4	3870	1,5	MR ICI 180 - 28 × 250	132 M * 4 80,5
	17,4	3878	1,9	MR ICI 180 - 38 × 300	132 MC 6 51,8
	17,7	3794	1,6	MR ICI 180 - 42 × 350	160 M 6 50,7
	16,9	3995	2,36	MR C2I 180 - 38 × 300	132 M 4 83,1
	17,9	3757	3	MR ICI 200 - 38 × 300	132 M 4 78,1
	19,9	3376	1,25	MR C2I 140 - 38 × 300	132 M 4 70,2
	19,4	3477	2,12	MR C2I 160 - 38 × 300	132 M 4 72,3
	19,4	3463	2,36	MR C2I 180 - 38 × 300	132 M 4 72
	22,1	3049	0,85	MR ICI 125 - 28 × 250	132 M * 4 63,4
	22,2	3038	0,85	MR ICI 125 - 38 × 300	132 MC 6 40,6
	22,1	3049	0,95	MR ICI 140 - 28 × 250	132 M * 4 63,4
	22,2	3038	1,18	MR ICI 140 - 38 × 300	132 MC 6 40,6
	22,6	2979	1,5	MR C2I 140 - 38 × 300	132 M 4 62
	22,3	3025	1,8	MR ICI 160 - 38 × 300	132 M 4 62,9
	21,5	3135	2,24	MR C2I 160 - 38 × 300	132 M 4 65,2
	21,7	3096	2,36	MR ICI 180 - 28 × 250	132 M * 4 64,4
	21,6	3116	1,9	MR ICI 180 - 38 × 300	132 M 4 64,8
	22,4	3006	4	MR ICI 200 - 38 × 300	132 M 4 62,5
	25,3	2662	1,6	MR C2I 140 - 38 × 300	132 M 4 55,4
	24,6	2742	2,8	MR C2I 160 - 38 × 300	132 M 4 57

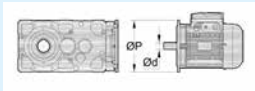
P_1	n_2	M_2	f_s		i	
kW	min ⁻¹	N m				
1)				2)		
7,5	27,6	2441	1,06	MR ICI 125 - 38 × 300	132 M 4 50,8	
	27,7	2430	1,18	MR ICI 125 - 38 × 300	132 MC 6 32,5	
	27,6	2439	1,5	MR ICI 140 - 28 × 250	132 M * 4 50,7	
	27,6	2441	1,18	MR ICI 140 - 38 × 300	132 M 4 50,8	
	28,1	2395	1,5	MR ICI 140 - 38 × 300	132 MC 6 32	
	27,8	2426	1,7	MR C2I 140 - 38 × 300	132 M 4 50,4	
	27,8	2420	2,36	MR ICI 160 - 38 × 300	132 M 4 50,3	
	26,8	2508	2,8	MR C2I 160 - 38 × 300	132 M 4 52,1	
	29,3	2351	1,7	MR CI 160 - 42 × 350	160 M 6 30,8	
	31,1	2168	2	MR C2I 140 - 38 × 300	132 M 4 45,1	
	34,5	1953	1,32	MR ICI 125 - 38 × 300	132 M 4 40,6	
	35,1	1916	1,5	MR ICI 125 - 38 × 300	132 MC 6 25,6	
	36	1910	1,32	MR CI 125 - 38 × 300	132 MC 6 25	
	36	1910	1,32	MR CI 125 - 42 × 350	160 M 6 25	
	34,5	1953	1,8	MR ICI 140 - 38 × 300	132 M 4 40,6	
	36,2	1859	2,24	MR C2I 140 - 38 × 300	132 M 4 38,7	
	33,1	2032	3	MR ICI 160 - 38 × 300	132 M 4 42,3	
	36,6	1881	2,65	MR CI 160 - 42 × 350	160 M 6 24,6	
	37,3	1805	2,36	MR C2I 140 - 38 × 300	132 M 4 37,5	
	46,7	1472	0,9	MR CI 100 - 38 × 300	132 MC 6 19,3	
	43,1	1562	1,8	MR ICI 125 - 38 × 300	132 M 4 32,5	
	44,8	1535	1,32	MR CI 125 - 38 × 300	132 M 4 31,3	
	45	1528	1,7	MR CI 125 - 38 × 300	132 MC 6 20	
	45	1528	1,7	MR CI 125 - 42 × 350	160 M 6 20	
	43,7	1540	2,24	MR ICI 140 - 38 × 300	132 M 4 32	
	43,5	1548	2,36	MR C2I 140 - 38 × 300	132 M 4 32,2	
	45	1528	2,36	MR CI 140 - 38 × 300	132 MC 6 20	
	45	1528	2,36	MR CI 140 - 42 × 350	160 M 6 20	
	45,7	1504	3,75	MR CI 160 - 42 × 350	160 M 6 19,7	
	47,1	1431	3	MR C2I 140 - 38 × 300	132 M 4 29,8	
	50	1375	2,5	MR CI 140 - 38 × 300	132 MC 6 18	
	50	1375	2,5	MR CI 140 - 42 × 350	160 M 6 18	
		58,1	1183	0,9	MR CI 100 - 38 × 300	132 M 4 24,1
	54,7	1232	2,24	MR ICI 125 - 38 × 300	132 M 4 25,6	
	56	1228	2	MR CI 125 - 38 × 300	132 M 4 25	
	54,9	1227	3,15	MR C2I 140 - 38 × 300	132 M 4 25,5	
	72,6	947	1,4	MR CI 100 - 38 × 300	132 M 4 19,3	
	66,5	1012	2,65	MR ICI 125 - 38 × 300	132 M 4 21	
	70	982	2,65	MR CI 125 - 38 × 300	132 M 4 20	
	89,2	771	1,4	MR CI 100 - 38 × 300	132 M 4 15,7	
	87,5	786	3,15	MR CI 125 - 38 × 300	132 M 4 16	
	113	608	2,12	MR CI 100 - 38 × 300	132 M 4 12,4	
	111	620	4,25	MR CI 125 - 38 × 300	132 M 4 12,6	
		136	506	2,12	MR CI 100 - 38 × 300	132 M 4 10,3
	135	509	4,5	MR CI 125 - 38 × 300	132 M 4 10,4	
	174	396	2,12	MR CI 100 - 38 × 300	132 M 4 8,06	
	175	392	4,5	MR CI 125 - 38 × 300	132 M 4 7,98	
	217	317	2,12	MR CI 100 - 38 × 300	132 M 4 6,46	
	222	310	4,5	MR CI 125 - 38 × 300	132 M 4 6,31	
	9,2	9,24	8936	1,4	MR C2I 200 - 38 × 300	132 MB 4 151
		8,97	9205	2	MR C2I 225 - 38 × 300	132 MB 4 156
		10,8	7658	1,18	MR C2I 180 - 38 × 300	132 MB 4 130
		12	6897	1,32	MR ICI 200 - 38 × 300	132 MB 4 117
		11	7503	2	MR C2I 200 - 38 × 300	132 MB 4 127
		11,2	7390	2,36	MR C2I 225 - 38 × 300	132 MB 4 125
		13,5	6096	1,18	MR C2I 160 - 38 × 300	132 MB 4 103
		13,5	6126	1,6	MR C2I 180 - 38 × 300	132 MB 4 104
		15	5518	2	MR ICI 200 - 38 × 300	132 MB 4 93,5
		13,8	6002	2,36	MR C2I 200 - 38 × 300	132 MB 4 102
		16	5177	0,85	MR C2I 140 - 38 × 300	132 MB 4 87,8
		15,5	5332	1,5	MR C2I 160 - 38 × 300	132 MB 4 90,4
		15,6	5309	1,6	MR C2I 180 - 38 × 300	132 MB 4 90
		15,9	5186	2,8	MR C2I 200 - 38 × 300	132 MB 4 87,9

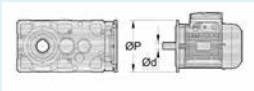
1) Powers valid for continuous duty S1; **increase possible** for duty cycles S2 ... S10 (see ch. 1 «General specifications»): in which case M_2 increases and f_s decreases.

2) For complete designation when ordering see ch. 2.

* Mounting position **B5R** (see ch. 1.2).



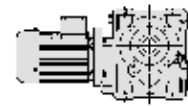
P_1 kW	n_2 min ⁻¹	M_2 N m	f_s		i
1)				2)	
9,2	17,8	4635	1	MR C2I 140 - 38 × 300 132 MB	4 78,6
	17,8	4639	1	MR ICI 160 - 38 × 300 132 MB	4 78,6
	16,9	4877	1,4	MR C2I 160 - 38 × 300 132 MB	4 82,7
	16,9	4901	1,9	MR C2I 180 - 38 × 300 132 MB	4 83,1
	17,9	4609	2,36	MR ICI 200 - 38 × 300 132 MB	4 78,1
	17,2	4802	2,8	MR C2I 200 - 38 × 300 132 MB	4 81,4
	19,9	4142	1,06	MR C2I 140 - 38 × 300 132 MB	4 70,2
	19,4	4266	1,8	MR C2I 160 - 38 × 300 132 MB	4 72,3
	19,4	4247	2	MR C2I 180 - 38 × 300 132 MB	4 72
	22,6	3655	1,18	MR C2I 140 - 38 × 300 132 MB	4 62
	22,3	3711	1,5	MR ICI 160 - 38 × 300 132 MB	4 62,9
	21,5	3845	1,8	MR C2I 160 - 38 × 300 132 MB	4 65,2
	21,6	3823	1,5	MR ICI 180 - 38 × 300 132 MB	4 64,8
	21,4	3864	2,36	MR C2I 180 - 38 × 300 132 MB	4 65,5
	22,4	3687	3,15	MR ICI 200 - 38 × 300 132 MB	4 62,5
	25,3	3266	1,32	MR C2I 140 - 38 × 300 132 MB	4 55,4
	24,6	3363	2,24	MR C2I 160 - 38 × 300 132 MB	4 57
	24,7	3349	2,5	MR C2I 180 - 38 × 300 132 MB	4 56,8
	27,6	2994	0,85	MR ICI 125 - 38 × 300 132 MB	4 50,8
	27,6	2994	0,95	MR ICI 140 - 38 × 300 132 MB	4 50,8
	27,8	2976	1,4	MR C2I 140 - 38 × 300 132 MB	4 50,4
	27,8	2969	1,9	MR ICI 160 - 38 × 300 132 MB	4 50,3
	26,8	3076	2,24	MR C2I 160 - 38 × 300 132 MB	4 52,1
	27	3058	2,36	MR ICI 180 - 38 × 300 132 MB	4 51,8
	31,1	2659	1,6	MR C2I 140 - 38 × 300 132 MB	4 45,1
	30,7	2691	2,8	MR C2I 160 - 38 × 300 132 MB	4 45,6
	34,5	2395	1,06	MR ICI 125 - 38 × 300 132 MB	4 40,6
	34,5	2395	1,5	MR ICI 140 - 38 × 300 132 MB	4 40,6
	36,2	2281	1,8	MR C2I 140 - 38 × 300 132 MB	4 38,7
	33,1	2493	2,36	MR ICI 160 - 38 × 300 132 MB	4 42,3
	35,4	2332	3,15	MR C2I 160 - 38 × 300 132 MB	4 39,5
	37,3	2214	1,9	MR C2I 140 - 38 × 300 132 MB	4 37,5
	37,4	2210	3,15	MR C2I 160 - 38 × 300 132 MB	4 37,5
	43,1	1916	1,5	MR ICI 125 - 38 × 300 132 MB	4 32,5
	44,8	1883	1,06	MR CI 125 - 38 × 300 132 MB	4 31,3
	43,7	1889	1,9	MR ICI 140 - 38 × 300 132 MB	4 32
	43,5	1899	1,9	MR C2I 140 - 38 × 300 132 MB	4 32,2
	42	1965	3,35	MR ICI 160 - 38 × 300 132 MB	4 33,3
	43,1	1915	3,35	MR C2I 160 - 38 × 300 132 MB	4 32,5
	47,1	1755	2,36	MR C2I 140 - 38 × 300 132 MB	4 29,8
	54,7	1511	1,8	MR ICI 125 - 38 × 300 132 MB	4 25,6
	56	1506	1,6	MR CI 125 - 38 × 300 132 MB	4 25
	53,6	1540	2,24	MR ICI 140 - 38 × 300 132 MB	4 26,1
	54,9	1506	2,65	MR C2I 140 - 38 × 300 132 MB	4 25,5
	72,6	1161	1,12	MR CI 100 - 38 × 300 132 MB	4 19,3
	66,5	1241	2,24	MR ICI 125 - 38 × 300 132 MB	4 21
	70	1205	2,12	MR CI 125 - 38 × 300 132 MB	4 20
	70	1205	2,8	MR CI 140 - 38 × 300 132 MB	4 20
	77,8	1084	3,15	MR CI 140 - 38 × 300 132 MB	4 18
	89,2	945	1,18	MR CI 100 - 38 × 300 132 MB	4 15,7
87,5	964	2,65	MR CI 125 - 38 × 300 132 MB	4 16	
113	745	1,7	MR CI 100 - 38 × 300 132 MB	4 12,4	
111	760	3,55	MR CI 125 - 38 × 300 132 MB	4 12,6	
136	621	1,7	MR CI 100 - 38 × 300 132 MB	4 10,3	
135	624	3,75	MR CI 125 - 38 × 300 132 MB	4 10,4	
174	486	1,7	MR CI 100 - 38 × 300 132 MB	4 8,06	
175	481	3,75	MR CI 125 - 38 × 300 132 MB	4 7,98	
217	389	1,7	MR CI 100 - 38 × 300 132 MB	4 6,46	
222	380	3,75	MR CI 125 - 38 × 300 132 MB	4 6,31	
11	5,77	17121	1,12	MR C2I 225 - 42 × 350 160 L	6 156
	5,76	17140	1,6	MR C2I 250 - 42 × 350 160 L	6 156
	5,85	16880	2,24	MR C2I 280 - 42 × 350 160 L	6 154
	7,08	13954	1,12	MR C2I 200 - 42 × 350 160 L	6 127
	7,18	13745	1,32	MR C2I 225 - 42 × 350 160 L	6 125
	7,31	13504	2,36	MR C2I 250 - 42 × 350 160 L	6 123
	7,17	13764	2,65	MR C2I 280 - 42 × 350 160 L	6 125

P_1 kW	n_2 min ⁻¹	M_2 N m	f_s		i
1)				2)	
11	9,24	10684	1,18	MR C2I 200 - 38 × 300 132 MC	4 151
	9,24	10684	1,18	MR C2I 200 - 42 × 350 160 M	4 151
	8,85	11163	1,32	MR C2I 200 - 42 × 350 160 L	6 102
	8,97	11006	1,6	MR C2I 225 - 38 × 300 132 MC	4 156
	8,97	11006	1,6	MR C2I 225 - 42 × 350 160 M	4 156
	8,98	10996	1,7	MR C2I 225 - 42 × 350 160 L	6 100
	8,96	11018	2,36	MR C2I 250 - 42 × 350 160 M	4 156
	9,1	10851	3,15	MR C2I 280 - 42 × 350 160 M	4 154
	10	9875	0,85	MR C2I 180 - 42 × 350 160 L	6 90
	10,8	9156	1	MR C2I 180 - 38 × 300 132 MC	4 130
	10,8	9156	1	MR C2I 180 - 42 × 350 160 M	4 130
	10,8	9115	1,06	MR C2I 180 - 42 × 350 160 L	6 83,1
	12	8247	1,12	MR ICI 200 - 38 × 300 132 MC	4 117
	11,5	8572	1,32	MR ICI 200 - 42 × 350 160 L	6 78,1
	11	8970	1,6	MR C2I 200 - 38 × 300 132 MC	4 127
	11	8970	1,6	MR C2I 200 - 42 × 350 160 M	4 127
	11,2	8836	2	MR C2I 225 - 38 × 300 132 MC	4 125
	11,2	8836	2	MR C2I 225 - 42 × 350 160 M	4 125
	11,4	8681	3,35	MR C2I 250 - 42 × 350 160 M	4 123
	13,5	7288	1	MR C2I 160 - 38 × 300 132 MC	4 103
	13,5	7288	1	MR C2I 160 - 42 × 350 160 M	4 103
	13,9	7110	0,85	MR ICI 180 - 42 × 350 160 L	6 64,8
	13,5	7325	1,32	MR C2I 180 - 38 × 300 132 MC	4 104
	13,5	7325	1,32	MR C2I 180 - 42 × 350 160 M	4 104
	15	6598	1,7	MR ICI 200 - 38 × 300 132 MC	4 93,5
	14,3	6888	1,32	MR ICI 200 - 42 × 350 160 M	4 97,7
	14,3	6902	1,6	MR ICI 200 - 42 × 350 160 L	6 62,9
	13,8	7176	2	MR C2I 200 - 38 × 300 132 MC	4 102
	13,8	7176	2	MR C2I 200 - 42 × 350 160 M	4 102
	14	7069	2,65	MR C2I 225 - 42 × 350 160 M	4 100
	15,5	6375	1,18	MR C2I 160 - 38 × 300 132 MC	4 90,4
	15,5	6375	1,18	MR C2I 160 - 42 × 350 160 M	4 90,4
	15,6	6348	1,32	MR C2I 180 - 38 × 300 132 MC	4 90
	15,6	6348	1,32	MR C2I 180 - 42 × 350 160 M	4 90
	15,9	6201	2,36	MR C2I 200 - 42 × 350 160 M	4 87,9
	18,3	5402	1	MR ICI 160 - 42 × 350 160 L	6 49,2
	16,9	5831	1,18	MR C2I 160 - 38 × 300 132 MC	4 82,7
	16,9	5831	1,18	MR C2I 160 - 42 × 350 160 M	4 82,7
	16,9	5860	1,6	MR C2I 180 - 38 × 300 132 MC	4 83,1
	16,9	5860	1,6	MR C2I 180 - 42 × 350 160 M	4 83,1
	17,9	5511	2	MR ICI 200 - 38 × 300 132 MC	4 78,1
	17,9	5511	2	MR ICI 200 - 42 × 350 160 M	4 78,1
	17,2	5741	2,36	MR C2I 200 - 42 × 350 160 M	4 81,4
	19,9	4952	0,85	MR C2I 140 - 38 × 300 132 MC	4 70,2
	19,4	5100	1,5	MR C2I 160 - 38 × 300 132 MC	4 72,3
	19,4	5100	1,5	MR C2I 160 - 42 × 350 160 M	4 72,3
	19,4	5078	1,6	MR C2I 180 - 38 × 300 132 MC	4 72
	19,4	5078	1,6	MR C2I 180 - 42 × 350 160 M	4 72
	19,9	4961	3	MR C2I 200 - 42 × 350 160 M	4 70,3
	22,6	4370	1	MR C2I 140 - 38 × 300 132 MC	4 62
22,3	4437	1,25	MR ICI 160 - 38 × 300 132 MC	4 62,9	
22,3	4437	1,25	MR ICI 160 - 42 × 350 160 M	4 62,9	
22,9	4321	1,32	MR ICI 160 - 42 × 350 160 L	6 39,4	
21,5	4597	1,5	MR C2I 160 - 38 × 300 132 MC	4 65,2	
21,5	4597	1,5	MR C2I 160 - 42 × 350 160 M	4 65,2	
21,6	4571	1,32	MR ICI 180 - 38 × 300 132 MC	4 64,8	
21,6	4571	1,32	MR ICI 180 - 42 × 350 160 M	4 64,8	
22,2	4451	1,7	MR ICI 180 - 42 × 350 160 L	6 40,6	
21,4	4620	2	MR C2I 180 - 38 × 300 132 MC	4 65,5	
21,4	4620	2	MR C2I 180 - 42 × 350 160 M	4 65,5	
22,3	4437	2,5	MR ICI 200 - 42 × 350 160 M	4 62,9	
25,3	3904	1,06	MR C2I 140 - 38 × 300 132 MC	4 55,4	
24,6	4021	1,9	MR C2I 160 - 38 × 300 132 MC	4 57	
24,6	4021	1,9	MR C2I 160 - 42 × 350 160 M	4 57	
24,7	4004	2	MR C2I 180 - 42 × 350 160 M	4 56,8	

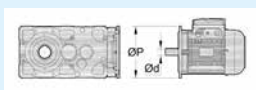
1) Potenze per servizio continuo S1; per servizi S2 ... S10 è possibile **incrementarle** (ved. cap. 1 «Caratteristiche generali»):
proporzionalmente M_2 aumenta e f_s diminuisce.

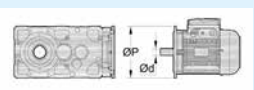
2) Per la designazione completa per l'ordinazione ved. cap. 2.

Bevel helical gearmotor selection tables



13

P_1 kW	n_2 min ⁻¹	M_2 N m	f_s		i
1)				2)	
11	27,6	3580	0,8	MR ICI 140 - 38 × 300	132 MC 4 50,8
	27,8	3558	1,18	MR C2I 140 - 38 × 300	132 MC 4 50,4
	27,8	3550	1,6	MR ICI 160 - 38 × 300	132 MC 4 50,3
	28,4	3472	1,6	MR ICI 160 - 42 × 350	160 M 4 49,2
	26,8	3678	1,9	MR C2I 160 - 38 × 300	132 MC 4 52,1
	26,8	3678	1,9	MR C2I 160 - 42 × 350	160 M 4 52,1
	29,3	3448	1,18	MR CI 160 - 42 × 350	160 L 6 30,8
	27	3657	2	MR ICI 180 - 38 × 300	132 MC 4 51,8
	28,1	3510	2,36	MR ICI 180 - 42 × 350	160 L 6 32
	26,7	3696	2,5	MR C2I 180 - 42 × 350	160 M 4 52,4
	27,8	3550	3,35	MR ICI 200 - 42 × 350	160 M 4 50,3
	31,1	3179	1,32	MR C2I 140 - 38 × 300	132 MC 4 45,1
	30,7	3217	2,36	MR C2I 160 - 38 × 300	132 MC 4 45,6
	30,7	3217	2,36	MR C2I 160 - 42 × 350	160 M 4 45,6
	30,8	3203	2,8	MR C2I 180 - 42 × 350	160 M 4 45,4
	34,5	2864	0,9	MR ICI 125 - 38 × 300	132 MC 4 40,6
	36	2801	0,9	MR CI 125 - 42 × 350	160 L 6 25
	34,5	2864	1,25	MR ICI 140 - 38 × 300	132 MC 4 40,6
	36,2	2727	1,5	MR C2I 140 - 38 × 300	132 MC 4 38,7
	33,1	2980	2	MR ICI 160 - 38 × 300	132 MC 4 42,3
	35,5	2778	2	MR ICI 160 - 42 × 350	160 M 4 39,4
	35,4	2788	2,65	MR C2I 160 - 42 × 350	160 M 4 39,5
	36,6	2758	1,8	MR CI 160 - 42 × 350	160 L 6 24,6
	34,3	2883	2,8	MR ICI 180 - 38 × 300	132 MC 4 40,9
	34,5	2862	2,5	MR ICI 180 - 42 × 350	160 M 4 40,6
	34,1	2892	3	MR C2I 180 - 42 × 350	160 M 4 41
	37,3	2647	1,6	MR C2I 140 - 38 × 300	132 MC 4 37,5
	37,4	2643	2,65	MR C2I 160 - 42 × 350	160 M 4 37,5
	43,1	2291	1,25	MR ICI 125 - 38 × 300	132 MC 4 32,5
	45	2241	1,18	MR CI 125 - 42 × 350	160 L 6 20
	43,7	2258	1,6	MR ICI 140 - 38 × 300	132 MC 4 32
	43,5	2271	1,6	MR C2I 140 - 38 × 300	132 MC 4 32,2
	45	2241	1,6	MR CI 140 - 42 × 350	160 L 6 20
	42,3	2332	2,5	MR ICI 160 - 42 × 350	160 M 4 33,1
	43,1	2290	2,8	MR C2I 160 - 42 × 350	160 M 4 32,5
	45,5	2216	1,8	MR CI 160 - 42 × 350	160 M 4 30,8
	45,7	2207	2,5	MR CI 160 - 42 × 350	160 L 6 19,7
	47,1	2098	2	MR C2I 140 - 38 × 300	132 MC 4 29,8
	50	2017	1,7	MR CI 140 - 42 × 350	160 L 6 18
	47,1	2095	3,35	MR C2I 160 - 42 × 350	160 M 4 29,7
	54,7	1807	1,5	MR ICI 125 - 38 × 300	132 MC 4 25,6
	56	1801	1,4	MR CI 125 - 38 × 300	132 MC 4 25
	56	1801	1,4	MR CI 125 - 42 × 350	160 M 4 25
	53,6	1841	1,8	MR ICI 140 - 38 × 300	132 MC 4 26,1
	54,9	1800	2,12	MR C2I 140 - 38 × 300	132 MC 4 25,5
	57,1	1767	2	MR CI 140 - 42 × 350	160 L 6 15,8
	53,7	1839	3,75	MR ICI 160 - 42 × 350	160 M 4 26,1
	54,4	1815	3,55	MR C2I 160 - 42 × 350	160 M 4 25,7
	56,9	1773	2,65	MR CI 160 - 42 × 350	160 M 4 24,6
	63,4	1590	2,36	MR CI 140 - 42 × 350	160 L 6 14,2
	72,6	1388	0,95	MR CI 100 - 38 × 300	132 MC 4 19,3
	66,5	1484	1,8	MR ICI 125 - 38 × 300	132 MC 4 21
	70	1441	1,8	MR CI 125 - 38 × 300	132 MC 4 20
	70	1441	1,8	MR CI 125 - 42 × 350	160 M 4 20
	70	1441	2,36	MR CI 140 - 38 × 300	132 MC 4 20
	70	1441	2,36	MR CI 140 - 42 × 350	160 M 4 20
	70,8	1394	3,75	MR ICI 160 - 42 × 350	160 M 4 19,8
	77,8	1297	2,65	MR CI 140 - 42 × 350	160 M 4 18
	89,2	1130	1	MR CI 100 - 38 × 300	132 MC 4 15,7
	87,5	1153	2,12	MR CI 125 - 38 × 300	132 MC 4 16
	87,5	1153	2,12	MR CI 125 - 42 × 350	160 M 4 16
	113	891	1,4	MR CI 100 - 38 × 300	132 MC 4 12,4
	111	909	3	MR CI 125 - 38 × 300	132 MC 4 12,6
	111	909	3	MR CI 125 - 42 × 350	160 M 4 12,6
	136	742	1,4	MR CI 100 - 38 × 300	132 MC 4 10,3
	135	746	3	MR CI 125 - 38 × 300	132 MC 4 10,4
	135	746	3	MR CI 125 - 42 × 350	160 M 4 10,4

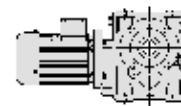
P_1 kW	n_2 min ⁻¹	M_2 N m	f_s		i	
1)				2)		
11	174	581	1,4	MR CI 100 - 38 × 300	132 MC 4 8,06	
	175	575	3	MR CI 125 - 38 × 300	132 MC 4 7,98	
	175	575	3	MR CI 125 - 42 × 350	160 M 4 7,98	
	217	465	1,4	MR CI 100 - 38 × 300	132 MC 4 6,46	
	222	454	3	MR CI 125 - 38 × 300	132 MC 4 6,31	
	222	454	3	MR CI 125 - 42 × 350	160 M 4 6,31	
	15	5,76	23372	1,18	MR C2I 250 - 48 × 350	180 L 6 156
		5,85	23018	1,6	MR C2I 280 - 48 × 350	180 L 6 154
		7,18	18743	0,95	MR C2I 225 - 48 × 350	180 L 6 125
		7,31	18414	1,7	MR C2I 250 - 48 × 350	180 L 6 123
		7,17	18768	1,9	MR C2I 280 - 48 × 350	180 L 6 125
		8,97	15009	1,18	MR C2I 225 - 42 × 350	160 L 4 156
		8,98	14995	1,25	MR C2I 225 - 48 × 350	180 L 6 100
		8,96	15025	1,7	MR C2I 250 - 42 × 350	160 L 4 156
		9,1	14797	2,36	MR C2I 280 - 42 × 350	160 L 4 154
10,2		13153	1,18	MR C2I 200 - 48 × 350	180 L 6 87,9	
11		12232	1,18	MR C2I 200 - 42 × 350	160 L 4 127	
11,2		12049	1,5	MR C2I 225 - 42 × 350	160 L 4 125	
11,4		11838	2,5	MR C2I 250 - 42 × 350	160 L 4 123	
13,5		9988	0,95	MR C2I 180 - 42 × 350	160 L 4 104	
15		8997	1,25	MR ICI 200 - 38 × 300	160 L * 4 93,5	
14,3		9393	1	MR ICI 200 - 42 × 350	160 L 4 97,7	
14,3		9412	1,18	MR ICI 200 - 48 × 350	180 L 6 62,9	
13,8		9786	1,4	MR C2I 200 - 42 × 350	160 L 4 102	
14		9639	2	MR C2I 225 - 42 × 350	160 L 4 100	
14,2		9470	3	MR C2I 250 - 42 × 350	160 L 4 98,5	
15,6		8656	0,95	MR C2I 180 - 42 × 350	160 L 4 90	
15,9		8456	1,8	MR C2I 200 - 42 × 350	160 L 4 87,9	
15,5		8681	2,24	MR C2I 225 - 42 × 350	160 L 4 90,3	
16,9		7991	1,18	MR C2I 180 - 42 × 350	160 L 4 83,1	
17,9		7514	1,5	MR ICI 200 - 42 × 350	160 L 4 78,1	
17,2		7829	1,8	MR C2I 200 - 42 × 350	160 L 4 81,4	
17,5		7711	2,5	MR C2I 225 - 42 × 350	160 L 4 80,2	
19,4		6955	1,06	MR C2I 160 - 42 × 350	160 L 4 72,3	
19,4		6925	1,18	MR C2I 180 - 42 × 350	160 L 4 72	
19,9		6764	2,12	MR C2I 200 - 42 × 350	160 L 4 70,3	
19,4		6945	2,65	MR C2I 225 - 42 × 350	160 L 4 72,2	
22,3		6050	0,9	MR ICI 160 - 42 × 350	160 L 4 62,9	
21,5		6269	1,12	MR C2I 160 - 42 × 350	160 L 4 65,2	
22,2		6070	1,25	MR ICI 180 - 48 × 350	180 L 6 40,6	
21,4		6300	1,5	MR C2I 180 - 42 × 350	160 L 4 65,5	
22,3		6050	1,8	MR ICI 200 - 42 × 350	160 L 4 62,9	
21,8		6173	2,24	MR C2I 200 - 42 × 350	160 L 4 64,2	
24,6		5484	1,4	MR C2I 160 - 42 × 350	160 L 4 57	
24,7		5460	1,5	MR C2I 180 - 42 × 350	160 L 4 56,8	
25,2		5334	2,8	MR C2I 200 - 42 × 350	160 L 4 55,5	
27,8		4852	0,85	MR C2I 140 - 38 × 300	160 L * 4 50,4	
28,4		4735	1,12	MR ICI 160 - 42 × 350	160 L 4 49,2	
26,8		5015	1,4	MR C2I 160 - 42 × 350	160 L 4 52,1	
28,1		4786	1,7	MR ICI 180 - 48 × 350	180 L 6 32	
26,7		5040	1,8	MR C2I 180 - 42 × 350	160 L 4 52,4	
27,8	4840	2,36	MR ICI 200 - 42 × 350	160 L 4 50,3		
26	5182	2,65	MR C2I 200 - 42 × 350	160 L 4 53,9		
29,3	4702	1,7	MR CI 200 - 48 × 350	180 L 6 30,8		
31,1	4335	1	MR C2I 140 - 38 × 300	160 L * 4 45,1		
30,7	4387	1,7	MR C2I 160 - 42 × 350	160 L 4 45,6		
30,8	4368	2,12	MR C2I 180 - 42 × 350	160 L 4 45,4		
34,5	3906	0,9	MR ICI 140 - 38 × 300	160 L * 4 40,6		
36,2	3719	1,12	MR C2I 140 - 38 × 300	160 L * 4 38,7		
35,5	3788	1,5	MR ICI 160 - 42 × 350	160 L 4 39,4		
35,4	3802	2	MR C2I 160 - 42 × 350	160 L 4 39,5		
36,6	3761	1,32	MR CI 160 - 48 × 350	180 L 6 24,6		
34,5	3902	1,9	MR ICI 180 - 42 × 350	160 L 4 40,6		
34,1	3943	2,12	MR C2I 180 - 42 × 350	160 L 4 41		
33,1	4064	3	MR ICI 200 - 42 × 350	160 L 4 42,3		
36,6	3761	2,65	MR CI 200 - 48 × 350	180 L 6 24,6		

1) Powers valid for continuous duty S1; **increase possible** for duty cycles S2 ... S10 (see ch. 1 «General specifications»): in which case M_2 increases and f_s decreases.

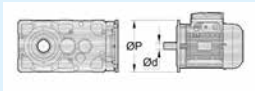
2) For complete designation when ordering see ch. 2.

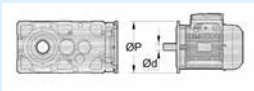
* Mounting position **B5R** (see ch. 1.2).

Bevel helical gearmotor selection tables



13

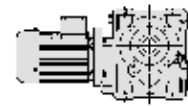
P_1 kW	n_2 min ⁻¹	M_2 N m	f_s		i
1)				2)	
15	37,3	3610	1,18	MR C2I 140 - 38 × 300 160 L * 4	37,5
	37,4	3603	2	MR C2I 160 - 42 × 350 160 L 4	37,5
	37,5	3588	2,5	MR C2I 180 - 42 × 350 160 L 4	37,3
	45	3056	0,85	MR CI 125 - 48 × 350 180 L 6	20
	43,7	3079	1,12	MR ICI 140 - 38 × 300 160 L * 4	32
	43,5	3097	1,18	MR C2I 140 - 38 × 300 160 L * 4	32,2
	45	3056	1,18	MR CI 140 - 48 × 350 180 L 6	20
	42,3	3180	1,9	MR ICI 160 - 42 × 350 160 L 4	33,1
	43,1	3123	2	MR C2I 160 - 42 × 350 160 L 4	32,5
	45,5	3022	1,32	MR CI 160 - 42 × 350 160 L 4	30,8
	45,7	3009	1,9	MR CI 160 - 48 × 350 180 L 6	19,7
	43,8	3077	2,65	MR ICI 180 - 42 × 350 160 L 4	32
	41,6	3239	2,5	MR C2I 180 - 42 × 350 160 L 4	33,7
	44,4	3100	2,24	MR CI 180 - 48 × 350 180 L 6	20,3
	45,7	3009	3,75	MR CI 200 - 48 × 350 180 L 6	19,7
	47,1	2861	1,5	MR C2I 140 - 38 × 300 160 L * 4	29,8
	50	2750	1,25	MR CI 140 - 48 × 350 180 L 6	18
	47,1	2856	2,5	MR C2I 160 - 42 × 350 160 L 4	29,7
	56	2456	1	MR CI 125 - 42 × 350 160 L 4	25
	53,6	2511	1,32	MR ICI 140 - 38 × 300 160 L * 4	26,1
	54,9	2455	1,6	MR C2I 140 - 38 × 300 160 L * 4	25,5
	57,1	2410	1,5	MR CI 140 - 48 × 350 180 L 6	15,8
	53,7	2508	2,65	MR ICI 160 - 42 × 350 160 L 4	26,1
	54,4	2476	2,5	MR C2I 160 - 42 × 350 160 L 4	25,7
	56,9	2418	2	MR CI 160 - 42 × 350 160 L 4	24,6
	63,4	2169	1,7	MR CI 140 - 48 × 350 180 L 6	14,2
	70	1965	1,32	MR CI 125 - 42 × 350 160 L 4	20
	70	1965	1,7	MR CI 140 - 42 × 350 160 L 4	20
	70,8	1901	2,8	MR ICI 160 - 42 × 350 160 L 4	19,8
	71,1	1934	2,8	MR CI 160 - 42 × 350 160 L 4	19,7
	77,8	1768	1,9	MR CI 140 - 42 × 350 160 L 4	18
	77,8	1768	3	MR CI 160 - 42 × 350 160 L 4	18
87,5	1572	1,6	MR CI 125 - 42 × 350 160 L 4	16	
88,8	1549	2,12	MR CI 140 - 42 × 350 160 L 4	15,8	
84,7	1624	3	MR CI 160 - 42 × 350 160 L 4	16,5	
98,6	1394	2,5	MR CI 140 - 42 × 350 160 L 4	14,2	
111	1239	2,12	MR CI 125 - 42 × 350 160 L 4	12,6	
135	1018	2,24	MR CI 125 - 42 × 350 160 L 4	10,4	
175	784	2,24	MR CI 125 - 42 × 350 160 L 4	7,98	
222	620	2,24	MR CI 125 - 42 × 350 160 L 4	6,31	
18,5	5,85	28389	1,32	MR C2I 280 - 55 × 400 200 LR 6	154
	5,76	28826	1,6	MR C2I 320 - 55 × 400 200 LR 6	156
	5,76	28826	2	MR C2I 321 - 55 × 400 200 LR 6	156
	5,59	29694	2,5	MR C2I 360 - 55 × 400 200 LR 6	161
	7,31	22711	1,4	MR C2I 250 - 55 × 400 200 LR 6	123
	7,17	23148	1,6	MR C2I 280 - 55 × 400 200 LR 6	125
	6,97	23811	2,24	MR C2I 320 - 55 × 400 200 LR 6	129
	6,97	23811	2,8	MR C2I 321 - 55 × 400 200 LR 6	129
	8,98	18493	1,06	MR C2I 225 - 55 × 400 200 LR 6	100
	8,96	18531	1,4	MR C2I 250 - 48 × 350 180 M 4	156
	9,14	18169	1,7	MR C2I 250 - 55 × 400 200 LR 6	98,5
	9,1	18250	1,9	MR C2I 280 - 48 × 350 180 M 4	154
	8,97	18518	2,12	MR C2I 280 - 55 × 400 200 LR 6	100
	9,97	16655	1,18	MR C2I 225 - 55 × 400 200 LR 6	90,3
	10	16547	2,36	MR C2I 280 - 55 × 400 200 LR 6	89,7
	11	15087	0,95	MR C2I 200 - 48 × 350 180 M 4	127
	11,2	14861	1,18	MR C2I 225 - 48 × 350 180 M 4	125
	11,2	14795	1,4	MR C2I 225 - 55 × 400 200 LR 6	80,2
	11,4	14600	2	MR C2I 250 - 48 × 350 180 M 4	123
	11,2	14881	2,36	MR C2I 280 - 48 × 350 180 M 4	125
	14,3	11608	0,95	MR ICI 200 - 55 × 400 200 LR 6	62,9
	13,8	12069	1,18	MR C2I 200 - 48 × 350 180 M 4	102
	14	11889	1,6	MR C2I 225 - 48 × 350 180 M 4	100
	14,2	11680	2,5	MR C2I 250 - 48 × 350 180 M 4	98,5

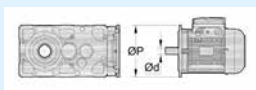
P_1 kW	n_2 min ⁻¹	M_2 N m	f_s		i
1)				2)	
18,5	15,9	10429	1,4	MR C2I 200 - 48 × 350 180 M 4	87,9
	15,5	10707	1,8	MR C2I 225 - 48 × 350 180 M 4	90,3
	15,7	10557	2,8	MR C2I 250 - 48 × 350 180 M 4	89
	16,9	9855	0,95	MR C2I 180 - 48 × 350 180 M 4	83,1
	17,8	9328	1	MR ICI 200 - 48 × 350 180 M 4	78,6
	18,3	9084	1,18	MR ICI 200 - 55 × 400 200 LR 6	49,2
	17,2	9655	1,4	MR C2I 200 - 48 × 350 180 M 4	81,4
	17,5	9511	2,12	MR C2I 225 - 48 × 350 180 M 4	80,2
	17,8	9344	3	MR C2I 250 - 48 × 350 180 M 4	78,8
	19,4	8541	0,95	MR C2I 180 - 48 × 350 180 M 4	72
	19,9	8343	1,8	MR C2I 200 - 48 × 350 180 M 4	70,3
	19,4	8565	2,12	MR C2I 225 - 48 × 350 180 M 4	72,2
	21,4	7770	1,18	MR C2I 180 - 48 × 350 180 M 4	65,5
	22,3	7462	1,5	MR ICI 200 - 48 × 350 180 M 4	62,9
	21,8	7613	1,8	MR C2I 200 - 48 × 350 180 M 4	64,2
	22,1	7499	2,65	MR C2I 225 - 48 × 350 180 M 4	63,2
	24,6	6763	1,12	MR C2I 160 - 48 × 350 180 M 4	57
	24,7	6734	1,18	MR C2I 180 - 48 × 350 180 M 4	56,8
	25,2	6578	2,24	MR C2I 200 - 48 × 350 180 M 4	55,5
	24,6	6753	2,65	MR C2I 225 - 48 × 350 180 M 4	56,9
	28,4	5840	0,95	MR ICI 160 - 48 × 350 180 M 4	49,2
	26,8	6186	1,12	MR C2I 160 - 48 × 350 180 M 4	52,1
	26,7	6216	1,5	MR C2I 180 - 48 × 350 180 M 4	52,4
	27,8	5970	1,9	MR ICI 200 - 48 × 350 180 M 4	50,3
	26	6392	2,12	MR C2I 200 - 48 × 350 180 M 4	53,9
	29,3	5799	1,4	MR CI 200 - 55 × 400 200 LR 6	30,8
	26,4	6296	2,8	MR C2I 225 - 48 × 350 180 M 4	53,1
	30,7	5410	1,4	MR C2I 160 - 48 × 350 180 M 4	45,6
	30,8	5387	1,7	MR C2I 180 - 48 × 350 180 M 4	45,4
	30,1	5523	2,65	MR C2I 200 - 48 × 350 180 M 4	46,6
	35,5	4672	1,25	MR ICI 160 - 48 × 350 180 M 4	39,4
	35,4	4689	1,6	MR C2I 160 - 48 × 350 180 M 4	39,5
	36,6	4639	1,06	MR CI 160 - 55 × 400 200 LR 6	24,6
	34,5	4813	1,5	MR ICI 180 - 48 × 350 180 M 4	40,6
	34,1	4864	1,7	MR C2I 180 - 48 × 350 180 M 4	41
	33,1	5012	2,36	MR ICI 200 - 48 × 350 180 M 4	42,3
	32,9	5052	2,65	MR C2I 200 - 48 × 350 180 M 4	42,6
	36,6	4639	2,12	MR CI 200 - 55 × 400 200 LR 6	24,6
	37,4	4444	1,6	MR C2I 160 - 48 × 350 180 M 4	37,5
	37,5	4425	2	MR C2I 180 - 48 × 350 180 M 4	37,3
	39,7	4187	3	MR C2I 200 - 48 × 350 180 M 4	35,3
	42,3	3923	1,5	MR ICI 160 - 48 × 350 180 M 4	33,1
	43,1	3852	1,6	MR C2I 160 - 48 × 350 180 M 4	32,5
	45,5	3728	1,06	MR CI 160 - 48 × 350 180 M 4	30,8
	45,7	3711	1,5	MR CI 160 - 55 × 400 200 LR 6	19,7
	43,8	3795	2,12	MR ICI 180 - 48 × 350 180 M 4	32
	41,6	3995	2	MR C2I 180 - 48 × 350 180 M 4	33,7
	44,4	3823	1,8	MR CI 180 - 55 × 400 200 LR 6	20,3
	42	3952	3,35	MR ICI 200 - 48 × 350 180 M 4	33,3
	43,4	3829	3,35	MR C2I 200 - 48 × 350 180 M 4	32,3
	45,5	3728	2,12	MR CI 200 - 48 × 350 180 M 4	30,8
	45,7	3711	3,15	MR CI 200 - 55 × 400 200 LR 6	19,7
47,1	3523	2	MR C2I 160 - 48 × 350 180 M 4	29,7	
47,3	3508	2,5	MR C2I 180 - 48 × 350 180 M 4	29,6	
48,2	3518	2	MR CI 180 - 55 × 400 200 LR 6	18,7	
50	3319	3,75	MR C2I 200 - 48 × 350 180 M 4	28	
56	3029	0,8	MR CI 125 - 48 × 350 180 M 4	25	
53,7	3093	2,12	MR ICI 160 - 48 × 350 180 M 4	26,1	
54,4	3053	2,12	MR C2I 160 - 48 × 350 180 M 4	25,7	
56,9	2982	1,6	MR CI 160 - 48 × 350 180 M 4	24,6	
52,4	3167	2,65	MR C2I 180 - 48 × 350 180 M 4	26,7	
56,3	3014	2,36	MR CI 180 - 55 × 400 200 LR 6	16	
56,9	2982	3,15	MR CI 200 - 48 × 350 180 M 4	24,6	
70	2423	1,06	MR CI 125 - 48 × 350 180 M 4	20	
70	2423	1,4	MR CI 140 - 48 × 350 180 M 4	20	
70,8	2345	2,24	MR ICI 160 - 48 × 350 180 M 4	19,8	
71,1	2386	2,24	MR CI 160 - 48 × 350 180 M 4	19,7	
69	2458	2,8	MR CI 180 - 48 × 350 180 M 4	20,3	

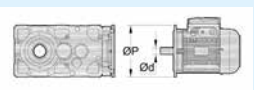
1) Powers valid for continuous duty S1; **increase possible** for duty cycles S2 ... S10 (see ch. 1 «General specifications»); in which case M_2 increases and f_s decreases.

2) For complete designation when ordering see ch. 2.

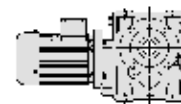
* Mounting position **B5R** (see ch. 1.2).

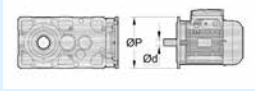


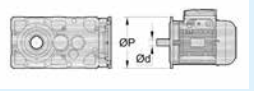
P_1 kW	n_2 min ⁻¹	M_2 N m	f_s		i
1)				2)	
18,5	77,8	2181	1,6	MR CI 140 - 48 × 350 180 M	4 18
	77,8	2181	2,5	MR CI 160 - 48 × 350 180 M	4 18
	87,5	1938	1,32	MR CI 125 - 48 × 350 180 M	4 16
	88,8	1910	1,8	MR CI 140 - 48 × 350 180 M	4 15,8
	84,7	2003	2,5	MR CI 160 - 48 × 350 180 M	4 16,5
	98,6	1719	2	MR CI 140 - 48 × 350 180 M	4 14,2
	98,6	1719	3,15	MR CI 160 - 48 × 350 180 M	4 14,2
	111	1528	1,7	MR CI 125 - 48 × 350 180 M	4 12,6
	109	1558	2	MR CI 140 - 48 × 350 180 M	4 12,9
	107	1579	3,55	MR CI 160 - 48 × 350 180 M	4 13
	122	1392	2	MR CI 140 - 48 × 350 180 M	4 11,5
	123	1381	3,55	MR CI 160 - 48 × 350 180 M	4 11,4
	135	1255	1,8	MR CI 125 - 48 × 350 180 M	4 10,4
	142	1194	2	MR CI 140 - 48 × 350 180 M	4 9,86
	142	1197	3,55	MR CI 160 - 48 × 350 180 M	4 9,88
	175	966	1,8	MR CI 125 - 48 × 350 180 M	4 7,98
	182	934	3,55	MR CI 160 - 48 × 350 180 M	4 7,71
	222	764	1,8	MR CI 125 - 48 × 350 180 M	4 6,31
	227	746	3,55	MR CI 160 - 48 × 350 180 M	4 6,16
	22	5,85	33760	1,12	MR C2I 280 - 55 × 400 200 L
5,76		34279	1,32	MR C2I 320 - 55 × 400 200 L	6 156
5,76		34279	1,6	MR C2I 321 - 55 × 400 200 L	6 156
5,59		35312	2,12	MR C2I 360 - 55 × 400 200 L	6 161
7,31		27008	1,18	MR C2I 250 - 55 × 400 200 L	6 123
7,17		27527	1,32	MR C2I 280 - 55 × 400 200 L	6 125
6,97		28316	1,9	MR C2I 320 - 55 × 400 200 L	6 129
6,97		28316	2,36	MR C2I 321 - 55 × 400 200 L	6 129
8,96		22037	1,18	MR C2I 250 - 48 × 350 180 L	4 156
9,14		21606	1,4	MR C2I 250 - 55 × 400 200 L	6 98,5
9,1		21703	1,6	MR C2I 280 - 48 × 350 180 L	4 154
8,97		22022	1,8	MR C2I 280 - 55 × 400 200 L	6 100
9,97		19806	1	MR C2I 225 - 55 × 400 200 L	6 90,3
10,1		19529	1,6	MR C2I 250 - 55 × 400 200 L	6 89
10		19677	2	MR C2I 280 - 55 × 400 200 L	6 89,7
11,2		17672	1	MR C2I 225 - 48 × 350 180 L	4 125
11,2		17594	1,18	MR C2I 225 - 55 × 400 200 L	6 80,2
11,4		17362	1,7	MR C2I 250 - 48 × 350 180 L	4 123
11,2		17696	2	MR C2I 280 - 48 × 350 180 L	4 125
13,8		14353	1	MR C2I 200 - 48 × 350 180 L	4 102
14		14138	1,32	MR C2I 225 - 48 × 350 180 L	4 100
14,2		13890	2	MR C2I 250 - 48 × 350 180 L	4 98,5
14		14157	2,65	MR C2I 280 - 48 × 350 180 L	4 100
15,9		12402	1,18	MR C2I 200 - 48 × 350 180 L	4 87,9
15,5		12732	1,5	MR C2I 225 - 48 × 350 180 L	4 90,3
15,7		12554	2,36	MR C2I 250 - 48 × 350 180 L	4 89
18,3		10803	1	MR ICI 200 - 55 × 400 200 L	6 49,2
17,2		11482	1,18	MR C2I 200 - 48 × 350 180 L	4 81,4
17,5		11310	1,7	MR C2I 225 - 48 × 350 180 L	4 80,2
17,8		11112	2,5	MR C2I 250 - 48 × 350 180 L	4 78,8
19,9		9921	1,5	MR C2I 200 - 48 × 350 180 L	4 70,3
19,4		10186	1,8	MR C2I 225 - 48 × 350 180 L	4 72,2
19,7		10043	2,8	MR C2I 250 - 48 × 350 180 L	4 71,2
21,4		9240	1	MR C2I 180 - 48 × 350 180 L	4 65,5
22,3		8874	1,25	MR ICI 200 - 48 × 350 180 L	4 62,9
21,8		9053	1,5	MR C2I 200 - 48 × 350 180 L	4 64,2
22,1		8918	2,24	MR C2I 225 - 48 × 350 180 L	4 63,2
24,7		8008	1	MR C2I 180 - 48 × 350 180 L	4 56,8
25,2		7822	1,9	MR C2I 200 - 48 × 350 180 L	4 55,5
24,6		8031	2,24	MR C2I 225 - 48 × 350 180 L	4 56,9
26,8		7356	0,95	MR C2I 160 - 48 × 350 180 L	4 52,1
26,7		7392	1,25	MR C2I 180 - 48 × 350 180 L	4 52,4
27,8		7099	1,6	MR ICI 200 - 48 × 350 180 L	4 50,3
26		7601	1,8	MR C2I 200 - 48 × 350 180 L	4 53,9
29,3		6896	1,18	MR CI 200 - 55 × 400 200 L	6 30,8
26,4		7487	2,36	MR C2I 225 - 48 × 350 180 L	4 53,1

P_1 kW	n_2 min ⁻¹	M_2 N m	f_s		i
1)				2)	
22	30,7	6434	1,18	MR C2I 160 - 48 × 350 180 L	4 45,6
	30,8	6407	1,4	MR C2I 180 - 48 × 350 180 L	4 45,4
	30,1	6568	2,24	MR C2I 200 - 48 × 350 180 L	4 46,6
	29,3	6743	2,65	MR C2I 225 - 48 × 350 180 L	4 47,8
	35,5	5556	1	MR ICI 160 - 48 × 350 180 L	4 39,4
	35,4	5576	1,32	MR C2I 160 - 48 × 350 180 L	4 39,5
	36,6	5516	0,9	MR CI 160 - 55 × 400 200 L	6 24,6
	34,5	5723	1,25	MR ICI 180 - 48 × 350 180 L	4 40,6
	34,1	5784	1,5	MR C2I 180 - 48 × 350 180 L	4 41
	33,1	5960	2	MR ICI 200 - 48 × 350 180 L	4 42,3
	32,9	6007	2,24	MR C2I 200 - 48 × 350 180 L	4 42,6
	36,6	5516	1,8	MR CI 200 - 55 × 400 200 L	6 24,6
	33,8	5841	3,15	MR C2I 225 - 48 × 350 180 L	4 41,4
	37,4	5285	1,32	MR C2I 160 - 48 × 350 180 L	4 37,5
	37,5	5263	1,7	MR C2I 180 - 48 × 350 180 L	4 37,3
	39,7	4979	2,65	MR C2I 200 - 48 × 350 180 L	4 35,3
	42,3	4665	1,25	MR ICI 160 - 48 × 350 180 L	4 33,1
	43,1	4580	1,4	MR C2I 160 - 48 × 350 180 L	4 32,5
	45,7	4413	1,32	MR CI 160 - 55 × 400 200 L	6 19,7
	43,8	4513	1,8	MR ICI 180 - 48 × 350 180 L	4 32
	41,6	4751	1,7	MR C2I 180 - 48 × 350 180 L	4 33,7
	44,4	4546	1,6	MR CI 180 - 55 × 400 200 L	6 20,3
	42	4700	2,8	MR ICI 200 - 48 × 350 180 L	4 33,3
	43,4	4554	2,8	MR C2I 200 - 48 × 350 180 L	4 32,3
	45,5	4433	1,8	MR CI 200 - 48 × 350 180 L	4 30,8
	45,7	4413	2,65	MR CI 200 - 55 × 400 200 L	6 19,7
	47,1	4189	1,7	MR C2I 160 - 48 × 350 180 L	4 29,7
	50	4034	1,4	MR CI 160 - 55 × 400 200 L	6 18
	47,3	4172	2,12	MR C2I 180 - 48 × 350 180 L	4 29,6
	48,2	4183	1,7	MR CI 180 - 55 × 400 200 L	6 18,7
	50	3947	3,15	MR C2I 200 - 48 × 350 180 L	4 28
	53,7	3678	1,8	MR ICI 160 - 48 × 350 180 L	4 26,1
	54,4	3631	1,7	MR C2I 160 - 48 × 350 180 L	4 25,7
	56,9	3546	1,32	MR CI 160 - 48 × 350 180 L	4 24,6
	53,4	3696	1,9	MR ICI 180 - 48 × 350 180 L	4 26,2
	52,4	3766	2,24	MR C2I 180 - 48 × 350 180 L	4 26,7
	56,3	3584	2	MR CI 180 - 55 × 400 200 L	6 16
	53,2	3714	3	MR ICI 200 - 48 × 350 180 L	4 26,3
	54,7	3610	3,55	MR C2I 200 - 48 × 350 180 L	4 25,6
	56,9	3546	2,65	MR CI 200 - 48 × 350 180 L	4 24,6
	61,1	3298	2,36	MR CI 180 - 55 × 400 200 L	6 14,7
	70	2881	0,9	MR CI 125 - 48 × 350 180 L	4 20
	70	2881	1,18	MR CI 140 - 48 × 350 180 L	4 20
	70,8	2788	1,9	MR ICI 160 - 48 × 350 180 L	4 19,8
	71,1	2837	1,9	MR CI 160 - 48 × 350 180 L	4 19,7
	69	2923	2,36	MR CI 180 - 48 × 350 180 L	4 20,3
	77,8	2593	1,32	MR CI 140 - 48 × 350 180 L	4 18
77,8	2593	2,12	MR CI 160 - 48 × 350 180 L	4 18	
87,5	2305	1,06	MR CI 125 - 48 × 350 180 L	4 16	
88,8	2272	1,5	MR CI 140 - 48 × 350 180 L	4 15,8	
84,7	2382	2,12	MR CI 160 - 48 × 350 180 L	4 16,5	
98,6	2045	1,7	MR CI 140 - 48 × 350 180 L	4 14,2	
98,6	2045	2,65	MR CI 160 - 48 × 350 180 L	4 14,2	
111	1817	1,5	MR CI 125 - 48 × 350 180 L	4 12,6	
109	1852	1,7	MR CI 140 - 48 × 350 180 L	4 12,9	
107	1878	3	MR CI 160 - 48 × 350 180 L	4 13	
122	1655	1,7	MR CI 140 - 48 × 350 180 L	4 11,5	
123	1643	3	MR CI 160 - 48 × 350 180 L	4 11,4	
135	1493	1,5	MR CI 125 - 48 × 350 180 L	4 10,4	
142	1420	1,7	MR CI 140 - 48 × 350 180 L	4 9,86	
142	1424	3	MR CI 160 - 48 × 350 180 L	4 9,88	
175	1149	1,5	MR CI 125 - 48 × 350 180 L	4 7,98	
182	1111	3	MR CI 160 - 48 × 350 180 L	4 7,71	
222	909	1,5	MR CI 125 - 48 × 350 180 L	4 6,31	
227	887	3	MR CI 160 - 48 × 350 180 L	4 6,16	

1) Powers valid for continuous duty S1; **increase possible** for duty cycles S2 ... S10 (see ch. 1 «General specifications»): in which case M_2 increases and f_s decreases.
 2) For complete designation when ordering see ch. 2.



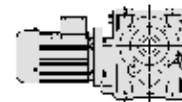
P_1 kW	n_2 min ⁻¹	M_2 N m	f_s		i
1)				2)	
30	5,76	46744	1,18	MR C2I 321 - 60 × 450 225 M	6 156
	5,59	48153	1,6	MR C2I 360 - 60 × 450 225 M	6 161
	7,17	37537	0,95	MR C2I 280 - 60 × 450 225 M	6 125
	6,97	38613	1,4	MR C2I 320 - 60 × 450 225 M	6 129
	6,97	38613	1,7	MR C2I 321 - 60 × 450 225 M	6 129
	7,09	37980	1,9	MR C2I 360 - 60 × 450 225 M	6 127
	9,14	29463	1,06	MR C2I 250 - 60 × 450 225 M	6 98,5
	9,1	29595	1,18	MR C2I 280 - 55 × 400 200 L	4 154
	8,97	30030	1,32	MR C2I 280 - 60 × 450 225 M	6 100
	8,96	30050	1,4	MR C2I 320 - 55 × 400 200 L	4 156
	8,96	30050	1,8	MR C2I 321 - 55 × 400 200 L	4 156
	8,7	30955	2,36	MR C2I 360 - 55 × 400 200 L	4 161
	10,1	26630	1,18	MR C2I 250 - 60 × 450 225 M	6 89
	10	26832	1,5	MR C2I 280 - 60 × 450 225 M	6 89,7
	11,4	23676	1,25	MR C2I 250 - 55 × 400 200 L	4 123
	11,2	24131	1,5	MR C2I 280 - 55 × 400 200 L	4 125
	10,8	24822	2	MR C2I 320 - 55 × 400 200 L	4 129
	10,8	24822	2,5	MR C2I 321 - 55 × 400 200 L	4 129
	14	19279	1	MR C2I 225 - 55 × 400 200 L	4 100
	14,2	18940	1,5	MR C2I 250 - 55 × 400 200 L	4 98,5
	14	19305	1,9	MR C2I 280 - 55 × 400 200 L	4 100
	13,6	19858	2,5	MR C2I 320 - 55 × 400 200 L	4 103
	15,5	17362	1,12	MR C2I 225 - 55 × 400 200 L	4 90,3
	15,7	17119	1,7	MR C2I 250 - 55 × 400 200 L	4 89
	15,6	17249	2,24	MR C2I 280 - 55 × 400 200 L	4 89,7
	17,5	15423	1,25	MR C2I 225 - 55 × 400 200 L	4 80,2
	17,8	15152	1,8	MR C2I 250 - 55 × 400 200 L	4 78,8
	17,4	15444	2,36	MR C2I 280 - 55 × 400 200 L	4 80,3
	19,9	13529	1,06	MR C2I 200 - 55 × 400 200 L	4 70,3
	19,4	13890	1,32	MR C2I 225 - 55 × 400 200 L	4 72,2
	19,7	13695	2,12	MR C2I 250 - 55 × 400 200 L	4 71,2
	19,5	13799	3	MR C2I 280 - 55 × 400 200 L	4 71,7
	22,3	12101	0,9	MR ICI 200 - 55 × 400 200 L	4 62,9
	21,8	12345	1,12	MR C2I 200 - 55 × 400 200 L	4 64,2
	22,1	12160	1,6	MR C2I 225 - 55 × 400 200 L	4 63,2
	22,5	11947	2,36	MR C2I 250 - 55 × 400 200 L	4 62,1
	25,2	10667	1,4	MR C2I 200 - 55 × 400 200 L	4 55,5
	24,6	10951	1,6	MR C2I 225 - 55 × 400 200 L	4 56,9
	24,9	10798	2,65	MR C2I 250 - 55 × 400 200 L	4 56,1
	26,7	10080	0,9	MR C2I 180 - 48 × 350 200 L	* 4 52,4
	28,4	9470	1,18	MR ICI 200 - 55 × 400 200 L	4 49,2
	26	10365	1,32	MR C2I 200 - 55 × 400 200 L	4 53,9
	26,4	10210	1,7	MR C2I 225 - 55 × 400 200 L	4 53,1
	26,8	10031	2,8	MR C2I 250 - 55 × 400 200 L	4 52,1
28,4	9697	1,7	MR CI 250 - 60 × 450 225 M	6 31,7	
30,8	8736	1,06	MR C2I 180 - 48 × 350 200 L	* 4 45,4	
30,1	8956	1,6	MR C2I 200 - 55 × 400 200 L	4 46,6	
29,3	9195	2	MR C2I 225 - 55 × 400 200 L	4 47,8	
29,7	9066	3,15	MR C2I 250 - 55 × 400 200 L	4 47,1	
32,2	8531	1,7	MR CI 250 - 60 × 450 225 M	6 27,9	
34,5	7804	0,95	MR ICI 180 - 48 × 350 200 L	* 4 40,6	
34,1	7887	1,06	MR C2I 180 - 48 × 350 200 L	* 4 41	
35,5	7576	1,5	MR ICI 200 - 55 × 400 200 L	4 39,4	
32,9	8192	1,6	MR C2I 200 - 55 × 400 200 L	4 42,6	
36,6	7522	1,32	MR CI 200 - 60 × 450 225 M	6 24,6	
33,8	7965	2,24	MR C2I 225 - 55 × 400 200 L	4 41,4	
35,5	7758	2,65	MR CI 250 - 60 × 450 225 M	6 25,4	
37,5	7176	1,25	MR C2I 180 - 48 × 350 200 L	* 4 37,3	
39,7	6789	1,9	MR C2I 200 - 55 × 400 200 L	4 35,3	
38,6	6970	2,5	MR C2I 225 - 55 × 400 200 L	4 36,2	
45,7	6018	0,95	MR CI 160 - 60 × 450 225 M	6 19,7	
43,8	6154	1,32	MR ICI 180 - 48 × 350 200 L	* 4 32	
41,6	6479	1,25	MR C2I 180 - 48 × 350 200 L	* 4 33,7	
44,4	6199	1,12	MR CI 180 - 60 × 450 225 M	6 20,3	
42,3	6361	1,8	MR ICI 200 - 55 × 400 200 L	4 33,1	
43,4	6210	2,12	MR C2I 200 - 55 × 400 200 L	4 32,3	
45,5	6045	1,32	MR CI 200 - 55 × 400 200 L	4 30,8	
45,7	6018	1,9	MR CI 200 - 60 × 450 225 M	6 19,7	
44,6	6038	2,5	MR C2I 225 - 55 × 400 200 L	4 31,4	
44,4	6199	2,24	MR CI 225 - 60 × 450 225 M	6 20,3	

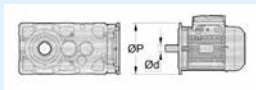
P_1 kW	n_2 min ⁻¹	M_2 N m	f_s		i
1)				2)	
30	50	5501	1	MR CI 160 - 60 × 450 225 M	6 18
	47,3	5688	1,6	MR C2I 180 - 48 × 350 200 L	* 4 29,6
	48,2	5705	1,25	MR CI 180 - 60 × 450 225 M	6 18,7
	50	5382	2,36	MR C2I 200 - 55 × 400 200 L	4 28
	48,7	5525	3,35	MR C2I 225 - 55 × 400 200 L	4 28,7
	56,9	4836	1	MR CI 160 - 55 × 400 200 L	4 24,6
	53,4	5040	1,4	MR ICI 180 - 48 × 350 200 L	* 4 26,2
	52,4	5135	1,6	MR C2I 180 - 48 × 350 200 L	* 4 26,7
	56,3	4888	1,5	MR CI 180 - 60 × 450 225 M	6 16
	53,7	5015	2,65	MR ICI 200 - 55 × 400 200 L	4 26,1
	54,7	4922	2,65	MR C2I 200 - 55 × 400 200 L	4 25,6
	56,9	4836	2	MR CI 200 - 55 × 400 200 L	4 24,6
	56,3	4786	3,35	MR C2I 225 - 55 × 400 200 L	4 24,9
	61,1	4498	1,7	MR CI 180 - 60 × 450 225 M	6 14,7
	70	3929	0,85	MR CI 140 - 48 × 350 200 L	* 4 20
	71,1	3869	1,4	MR CI 160 - 55 × 400 200 L	4 19,7
	69	3985	1,7	MR CI 180 - 55 × 400 200 L	4 20,3
	67,9	3964	2,8	MR ICI 200 - 55 × 400 200 L	4 20,6
	71,1	3869	3	MR CI 200 - 55 × 400 200 L	4 19,7
	77,8	3536	0,95	MR CI 140 - 48 × 350 200 L	* 4 18
	77,8	3536	1,5	MR CI 160 - 55 × 400 200 L	4 18
	75	3667	1,9	MR CI 180 - 55 × 400 200 L	4 18,7
	77,8	3536	3	MR CI 200 - 55 × 400 200 L	4 18
	88,8	3098	1,06	MR CI 140 - 48 × 350 200 L	* 4 15,8
	84,7	3248	1,5	MR CI 160 - 55 × 400 200 L	4 16,5
	87,5	3142	2,24	MR CI 180 - 55 × 400 200 L	4 16
	98,6	2788	1,25	MR CI 140 - 48 × 350 200 L	* 4 14,2
	98,6	2788	2	MR CI 160 - 55 × 400 200 L	4 14,2
	95,1	2891	2,5	MR CI 180 - 55 × 400 200 L	4 14,7
	109	2526	1,25	MR CI 140 - 48 × 350 200 L	* 4 12,9
	107	2561	2,24	MR CI 160 - 55 × 400 200 L	4 13
	122	2257	1,25	MR CI 140 - 48 × 350 200 L	* 4 11,5
	123	2240	2,24	MR CI 160 - 55 × 400 200 L	4 11,4
	142	1936	1,25	MR CI 140 - 48 × 350 200 L	* 4 9,86
142	1941	2,24	MR CI 160 - 55 × 400 200 L	4 9,88	
182	1515	2,24	MR CI 160 - 55 × 400 200 L	4 7,71	
227	1210	2,24	MR CI 160 - 55 × 400 200 L	4 6,16	
37	5,59	59388	1,25	MR C2I 360 - 65 × 550 250 M	6 161
	6,97	47622	1,12	MR C2I 320 - 65 × 550 250 M	6 129
	6,97	47622	1,4	MR C2I 321 - 65 × 550 250 M	6 129
	7,09	46842	1,6	MR C2I 360 - 65 × 550 250 M	6 127
	8,97	37036	1,06	MR C2I 280 - 65 × 550 250 M	6 100
	8,96	37061	1,18	MR C2I 320 - 60 × 450 225 S	4 156
	8,96	37061	1,4	MR C2I 321 - 60 × 450 225 S	4 156
	8,72	38098	1,4	MR C2I 320 - 65 × 550 250 M	6 103
	8,72	38098	1,7	MR C2I 321 - 65 × 550 250 M	6 103
	8,7	38178	2	MR C2I 360 - 60 × 450 225 S	4 161
	8,86	37473	2,12	MR C2I 360 - 65 × 550 250 M	6 102
	10	33093	1,18	MR C2I 280 - 65 × 550 250 M	6 89,7
	11,4	29200	1	MR C2I 250 - 60 × 450 225 S	4 123
	11,2	29761	1,18	MR C2I 280 - 60 × 450 225 S	4 125
	11,2	29629	1,32	MR C2I 280 - 65 × 550 250 M	6 80,3
	10,8	30614	1,7	MR C2I 320 - 60 × 450 225 S	4 129
	10,8	30614	2,12	MR C2I 321 - 60 × 450 225 S	4 129
	11	30112	2,36	MR C2I 360 - 60 × 450 225 S	4 127
	14,2	23360	1,18	MR C2I 250 - 60 × 450 225 S	4 98,5
	14	23809	1,5	MR C2I 280 - 60 × 450 225 S	4 100
	13,6	24491	2	MR C2I 320 - 60 × 450 225 S	4 103
13,6	24491	2,5	MR C2I 321 - 60 × 450 225 S	4 103	
15,5	21413	0,9	MR C2I 225 - 60 × 450 225 S	4 90,3	
15,7	21114	1,4	MR C2I 250 - 60 × 450 225 S	4 89	
15,6	21274	1,8	MR C2I 280 - 60 × 450 225 S	4 89,7	
15,8	21079	2,24	MR C2I 320 - 60 × 450 225 S	4 88,8	
17,5	19022	1,06	MR C2I 225 - 60 × 450 225 S	4 80,2	
17,8	18688	1,5	MR C2I 250 - 60 × 450 225 S	4 78,8	
17,4	19047	1,9	MR C2I 280 - 60 × 450 225 S	4 80,3	
17	19593	2,5	MR C2I 320 - 60 × 450 225 S	4 82,6	

1) Powers valid for continuous duty S1; **increase possible** for duty cycles S2 ... S10 (see ch. 1 «General specifications»); in which case M_2 increases and f_s decreases.

2) For complete designation when ordering see ch. 2.

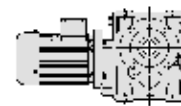
* Mounting position **B5R** (see ch. 1.2).

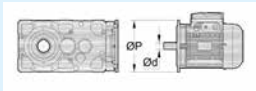


P_1 kW	n_2 min ⁻¹	M_2 N m	f_s		i		
1)				2)			
37	19,4	17131	1,06	MR C2I 225 - 60 × 450 225 S	4 72,2		
	19,7	16891	1,7	MR C2I 250 - 60 × 450 225 S	4 71,2		
	19,5	17019	2,36	MR C2I 280 - 60 × 450 225 S	4 71,7		
	22,1	14998	1,32	MR C2I 225 - 60 × 450 225 S	4 63,2		
	22,5	14735	1,9	MR C2I 250 - 60 × 450 225 S	4 62,1		
	22,1	15018	2,36	MR C2I 280 - 60 × 450 225 S	4 63,3		
	25,2	13156	1,12	MR C2I 200 - 60 × 450 225 S	4 55,5		
	24,6	13507	1,32	MR C2I 225 - 60 × 450 225 S	4 56,9		
	24,9	13318	2,12	MR C2I 250 - 60 × 450 225 S	4 56,1		
	24,8	13419	3	MR C2I 280 - 60 × 450 225 S	4 56,6		
	28,4	11680	0,95	MR ICI 200 - 60 × 450 225 S	4 49,2		
	26	12783	1,06	MR C2I 200 - 60 × 450 225 S	4 53,9		
	26,4	12592	1,4	MR C2I 225 - 60 × 450 225 S	4 53,1		
	26,8	12371	2,24	MR C2I 250 - 60 × 450 225 S	4 52,1		
	28,4	11960	1,4	MR CI 250 - 65 × 550 250 M	6 31,7		
	26,3	12609	2,8	MR C2I 280 - 60 × 450 225 S	4 53,1		
	30,1	11046	1,32	MR C2I 200 - 60 × 450 225 S	4 46,6		
	29,3	11340	1,6	MR C2I 225 - 60 × 450 225 S	4 47,8		
	29,7	11182	2,5	MR C2I 250 - 60 × 450 225 S	4 47,1		
	32,2	10522	1,4	MR CI 250 - 65 × 550 250 M	6 27,9		
	35,5	9344	1,25	MR ICI 200 - 60 × 450 225 S	4 39,4		
	32,9	10103	1,32	MR C2I 200 - 60 × 450 225 S	4 42,6		
	36,6	9278	1,06	MR CI 200 - 65 × 550 250 M	6 24,6		
	33,8	9824	1,8	MR C2I 225 - 60 × 450 225 S	4 41,4		
	32,7	10162	2,8	MR C2I 250 - 60 × 450 225 S	4 42,8		
	35,5	9568	2,12	MR CI 250 - 65 × 550 250 M	6 25,4		
	39,7	8373	1,5	MR C2I 200 - 60 × 450 225 S	4 35,3		
	38,6	8597	2	MR C2I 225 - 60 × 450 225 S	4 36,2		
	37,6	8837	3	MR C2I 250 - 60 × 450 225 S	4 37,2		
	40,3	8418	2,12	MR CI 250 - 65 × 550 250 M	6 22,3		
	42,3	7845	1,5	MR ICI 200 - 60 × 450 225 S	4 33,1		
	43,4	7659	1,7	MR C2I 200 - 60 × 450 225 S	4 32,3		
	45,5	7455	1,06	MR CI 200 - 60 × 450 225 S	4 30,8		
	45,7	7422	1,5	MR CI 200 - 65 × 550 250 M	6 19,7		
	44,6	7447	2	MR C2I 225 - 60 × 450 225 S	4 31,4		
	44,4	7646	1,8	MR CI 225 - 65 × 550 250 M	6 20,3		
	41,4	8031	3,15	MR C2I 250 - 60 × 450 225 S	4 33,9		
	44,1	7688	2,12	MR CI 250 - 60 × 450 225 S	4 31,7		
	44,3	7654	2,8	MR CI 250 - 65 × 550 250 M	6 20,3		
	50	6637	1,9	MR C2I 200 - 60 × 450 225 S	4 28		
	48,7	6814	2,65	MR C2I 225 - 60 × 450 225 S	4 28,7		
	48,2	7036	1,8	MR CI 225 - 65 × 550 250 M	6 18,7		
	47,4	7005	3,75	MR C2I 250 - 60 × 450 225 S	4 29,5		
	50,1	6764	2,12	MR CI 250 - 60 × 450 225 S	4 27,9		
	53,7	6186	2,12	MR ICI 200 - 60 × 450 225 S	4 26,1		
	54,7	6071	2,12	MR C2I 200 - 60 × 450 225 S	4 25,6		
	56,9	5964	1,6	MR CI 200 - 60 × 450 225 S	4 24,6		
	56,3	5903	2,8	MR C2I 225 - 60 × 450 225 S	4 24,9		
	56,3	6028	2,36	MR CI 225 - 65 × 550 250 M	6 16		
	52,2	6366	4	MR C2I 250 - 60 × 450 225 S	4 26,8		
	55,2	6151	3,15	MR CI 250 - 60 × 450 225 S	4 25,4		
	71,1	4771	1,12	MR CI 160 - 60 × 450 225 S	4 19,7		
	69	4915	1,4	MR CI 180 - 60 × 450 225 S	4 20,3		
	67,9	4889	2,24	MR ICI 200 - 60 × 450 225 S	4 20,6		
	71,1	4771	2,36	MR CI 200 - 60 × 450 225 S	4 19,7		
	69	4915	2,8	MR CI 225 - 60 × 450 225 S	4 20,3		
	77,8	4361	1,25	MR CI 160 - 60 × 450 225 S	4 18		
	75	4523	1,6	MR CI 180 - 60 × 450 225 S	4 18,7		
	77,8	4361	2,5	MR CI 200 - 60 × 450 225 S	4 18		
	84,7	4006	1,25	MR CI 160 - 60 × 450 225 S	4 16,5		
	87,5	3875	1,8	MR CI 180 - 60 × 450 225 S	4 16		
	84,7	4006	2,5	MR CI 200 - 60 × 450 225 S	4 16,5		
	98,6	3439	1,6	MR CI 160 - 60 × 450 225 S	4 14,2		
	95,1	3566	2	MR CI 180 - 60 × 450 225 S	4 14,7		
	98,6	3439	3,35	MR CI 200 - 60 × 450 225 S	4 14,2		
	107	3159	1,8	MR CI 160 - 60 × 450 225 S	4 13		
	107	3174	2	MR CI 180 - 60 × 450 225 S	4 13,1		
	107	3159	3,55	MR CI 200 - 60 × 450 225 S	4 13		
	37	123	2763	1,8	MR CI 160 - 60 × 450 225 S	4 11,4	
		123	2751	2	MR CI 180 - 60 × 450 225 S	4 11,4	
		124	2729	3,55	MR CI 200 - 60 × 450 225 S	4 11,3	
		142	2394	1,8	MR CI 160 - 60 × 450 225 S	4 9,88	
		137	2484	2	MR CI 180 - 60 × 450 225 S	4 10,3	
		136	2496	3,55	MR CI 200 - 60 × 450 225 S	4 10,3	
		182	1868	1,8	MR CI 160 - 60 × 450 225 S	4 7,71	
		174	1953	3,55	MR CI 200 - 60 × 450 225 S	4 8,06	
		227	1492	1,8	MR CI 160 - 60 × 450 225 S	4 6,16	
		217	1565	3,55	MR CI 200 - 60 × 450 225 S	4 6,46	
		45	5,59	72229	1,06	MR C2I 360 - 75 × 550 280 S	6 161
			6,97	57919	1,12	MR C2I 321 - 75 × 550 280 S	6 129
			7,09	56969	1,32	MR C2I 360 - 75 × 550 280 S	6 127
			8,96	45075	0,95	MR C2I 320 - 60 × 450 225 M	4 156
			8,96	45075	1,18	MR C2I 321 - 60 × 450 225 M	4 156
			8,72	46335	1,12	MR C2I 320 - 75 × 550 280 S	6 103
			8,72	46335	1,4	MR C2I 321 - 75 × 550 280 S	6 103
			8,7	46433	1,6	MR C2I 360 - 60 × 450 225 M	4 161
			8,86	45576	1,7	MR C2I 360 - 75 × 550 280 S	6 102
			10	40249	0,95	MR C2I 280 - 75 × 550 280 S	6 89,7
			10,1	39879	1,25	MR C2I 320 - 75 × 550 280 S	6 88,8
			11,2	36196	1	MR C2I 280 - 60 × 450 225 M	4 125
			11,2	36035	1,06	MR C2I 280 - 75 × 550 280 S	6 80,3
			10,8	37234	1,4	MR C2I 320 - 60 × 450 225 M	4 129
			10,8	37234	1,7	MR C2I 321 - 60 × 450 225 M	4 129
			11	36623	2	MR C2I 360 - 60 × 450 225 M	4 127
			14,2	28411	1	MR C2I 250 - 60 × 450 225 M	4 98,5
			14	28957	1,25	MR C2I 280 - 60 × 450 225 M	4 100
			13,6	29787	1,7	MR C2I 320 - 60 × 450 225 M	4 103
			13,6	29787	2,12	MR C2I 321 - 60 × 450 225 M	4 103
			13,8	29299	2,65	MR C2I 360 - 60 × 450 225 M	4 102
			15,7	25679	1,12	MR C2I 250 - 60 × 450 225 M	4 89
15,6			25874	1,5	MR C2I 280 - 60 × 450 225 M	4 89,7	
15,8			25636	1,8	MR C2I 320 - 60 × 450 225 M	4 88,8	
15,8			25636	2,24	MR C2I 321 - 60 × 450 225 M	4 88,8	
17,8			22729	1,18	MR C2I 250 - 60 × 450 225 M	4 78,8	
17,4			23166	1,6	MR C2I 280 - 60 × 450 225 M	4 80,3	
17			23829	2	MR C2I 320 - 60 × 450 225 M	4 82,6	
17			23829	2,5	MR C2I 321 - 60 × 450 225 M	4 82,6	
19,4			20835	0,9	MR C2I 225 - 60 × 450 225 M	4 72,2	
19,7			20543	1,4	MR C2I 250 - 60 × 450 225 M	4 71,2	
19,5			20699	1,9	MR C2I 280 - 60 × 450 225 M	4 71,7	
19,7			20509	2,24	MR C2I 320 - 60 × 450 225 M	4 71,1	
22,1			18241	1,06	MR C2I 225 - 60 × 450 225 M	4 63,2	
22,5			17921	1,5	MR C2I 250 - 60 × 450 225 M	4 62,1	
22,1			18265	2	MR C2I 280 - 60 × 450 225 M	4 63,3	
21,5			18789	2,5	MR C2I 320 - 60 × 450 225 M	4 65,1	
24,6			16427	1,12	MR C2I 225 - 60 × 450 225 M	4 56,9	
24,9			16197	1,7	MR C2I 250 - 60 × 450 225 M	4 56,1	
24,8			16321	2,5	MR C2I 280 - 60 × 450 225 M	4 56,6	
26,4	15315		1,12	MR C2I 225 - 60 × 450 225 M	4 53,1		
26,8	15046		1,8	MR C2I 250 - 60 × 450 225 M	4 52,1		
28,4	14545		1,18	MR CI 250 - 75 × 550 280 S	6 31,7		
26,3	15335		2,36	MR C2I 280 - 60 × 450 225 M	4 53,1		
30,1	13434		1,06	MR C2I 200 - 60 × 450 225 M	4 46,6		
29,3	13792		1,32	MR C2I 225 - 60 × 450 225 M	4 47,8		
29,7	13599		2	MR C2I 250 - 60 × 450 225 M	4 47,1		
32,2	12797		1,18	MR CI 250 - 75 × 550 280 S	6 27,9		
29,5	13702		2,65	MR C2I 280 - 60 × 450 225 M	4 47,5		
35,5	11364		1	MR ICI 200 - 60 × 450 225 M	4 39,4		
32,9	12287	1,06	MR C2I 200 - 60 × 450 225 M	4 42,6			
36,6	11284	0,85	MR CI 200 - 75 × 550 280 S	6 24,6			
33,8	11948	1,5	MR C2I 225 - 60 × 450 225 M	4 41,4			
32,7	12359	2,36	MR C2I 250 - 60 × 450 225 M	4 42,8			
35,5	11636	1,7	MR CI 250 - 75 × 550 280 S	6 25,4			
33,7	11990	3	MR C2I 280 - 60 × 450 225 M	4 41,6			

1) Powers valid for continuous duty S1; **increase possible** for duty cycles S2 ... S10 (see ch. 1 «General specifications»): in which case M_2 increases and f_s decreases.

2) For complete designation when ordering see ch. 2.

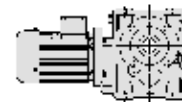


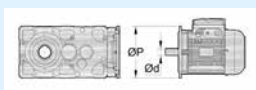
P_1 kW	n_2 min ⁻¹	M_2 N m	f_s		i		
1)				2)			
45	39,7	10184	1,25	MR C2I 200 - 60 × 450	225 M 4	35,3	
	38,6	10455	1,7	MR C2I 225 - 60 × 450	225 M 4	36,2	
	37,6	10748	2,5	MR C2I 250 - 60 × 450	225 M 4	37,2	
	40,3	10238	1,7	MR CI 250 - 75 × 550	280 S 6	22,3	
	42,3	9541	1,25	MR ICI 200 - 60 × 450	225 M 4	33,1	
	43,4	9315	1,4	MR C2I 200 - 60 × 450	225 M 4	32,3	
	45,7	9027	1,25	MR CI 200 - 75 × 550	280 S 6	19,7	
	44,6	9057	1,7	MR C2I 225 - 60 × 450	225 M 4	31,4	
	44,4	9299	1,5	MR CI 225 - 75 × 550	280 S 6	20,3	
	41,4	9768	2,65	MR C2I 250 - 60 × 450	225 M 4	33,9	
	44,1	9351	1,8	MR CI 250 - 60 × 450	225 M 4	31,7	
	44,3	9309	2,36	MR CI 250 - 75 × 550	280 S 6	20,3	
	50	8072	1,6	MR C2I 200 - 60 × 450	225 M 4	28	
	50	8251	1,32	MR CI 200 - 75 × 550	280 S 6	18	
	48,7	8288	2,12	MR C2I 225 - 60 × 450	225 M 4	28,7	
	48,2	8557	1,5	MR CI 225 - 75 × 550	280 S 6	18,7	
	47,4	8520	3,15	MR C2I 250 - 60 × 450	225 M 4	29,5	
	50,1	8227	1,8	MR CI 250 - 60 × 450	225 M 4	27,9	
	50,4	8190	2,65	MR CI 250 - 75 × 550	280 S 6	17,9	
	47,1	8584	4,25	MR C2I 280 - 60 × 450	225 M 4	29,8	
	53,7	7523	1,8	MR ICI 200 - 60 × 450	225 M 4	26,1	
	54,7	7384	1,7	MR C2I 200 - 60 × 450	225 M 4	25,6	
	56,9	7254	1,32	MR CI 200 - 60 × 450	225 M 4	24,6	
	56,3	7180	2,24	MR C2I 225 - 60 × 450	225 M 4	24,9	
	56,3	7332	2	MR CI 225 - 75 × 550	280 S 6	16	
	52,2	7743	3,35	MR C2I 250 - 60 × 450	225 M 4	26,8	
	55,2	7480	2,65	MR CI 250 - 60 × 450	225 M 4	25,4	
	53,8	7511	4,5	MR C2I 280 - 60 × 450	225 M 4	26	
	61,1	6747	2,24	MR CI 225 - 75 × 550	280 S 6	14,7	
	62,7	6581	2,65	MR CI 250 - 60 × 450	225 M 4	22,3	
	71,1	5803	0,95	MR CI 160 - 60 × 450	225 M 4	19,7	
	69	5978	1,12	MR CI 180 - 60 × 450	225 M 4	20,3	
	67,9	5946	1,8	MR ICI 200 - 60 × 450	225 M 4	20,6	
	71,1	5803	1,9	MR CI 200 - 60 × 450	225 M 4	19,7	
	69	5978	2,24	MR CI 225 - 60 × 450	225 M 4	20,3	
	77,8	5304	1	MR CI 160 - 60 × 450	225 M 4	18	
	75	5501	1,32	MR CI 180 - 60 × 450	225 M 4	18,7	
	77,8	5304	2	MR CI 200 - 60 × 450	225 M 4	18	
	75	5501	2,24	MR CI 225 - 60 × 450	225 M 4	18,7	
	84,7	4872	1	MR CI 160 - 60 × 450	225 M 4	16,5	
	87,5	4713	1,5	MR CI 180 - 60 × 450	225 M 4	16	
	84,7	4872	2	MR CI 200 - 60 × 450	225 M 4	16,5	
	87,5	4713	3	MR CI 225 - 60 × 450	225 M 4	16	
	98,6	4182	1,32	MR CI 160 - 60 × 450	225 M 4	14,2	
95,1	4337	1,7	MR CI 180 - 60 × 450	225 M 4	14,7		
98,6	4182	2,65	MR CI 200 - 60 × 450	225 M 4	14,2		
107	3841	1,5	MR CI 160 - 60 × 450	225 M 4	13		
107	3861	1,7	MR CI 180 - 60 × 450	225 M 4	13,1		
107	3841	3	MR CI 200 - 60 × 450	225 M 4	13		
123	3360	1,5	MR CI 160 - 60 × 450	225 M 4	11,4		
123	3346	1,7	MR CI 180 - 60 × 450	225 M 4	11,4		
124	3319	3	MR CI 200 - 60 × 450	225 M 4	11,3		
142	2912	1,5	MR CI 160 - 60 × 450	225 M 4	9,88		
137	3021	1,7	MR CI 180 - 60 × 450	225 M 4	10,3		
136	3036	3	MR CI 200 - 60 × 450	225 M 4	10,3		
182	2272	1,5	MR CI 160 - 60 × 450	225 M 4	7,71		
174	2375	3	MR CI 200 - 60 × 450	225 M 4	8,06		
227	1815	1,5	MR CI 160 - 60 × 450	225 M 4	6,16		
217	1903	3	MR CI 200 - 60 × 450	225 M 4	6,46		
55	8,7	56751	1,32	MR C2I 360 - 65 × 550	250 M 4	161	
	10,8	45508	1,12	MR C2I 320 - 65 × 550	250 M 4	129	
	10,8	45508	1,4	MR C2I 321 - 65 × 550	250 M 4	129	
	11	44762	1,6	MR C2I 360 - 65 × 550	250 M 4	127	
	14	35392	1,06	MR C2I 280 - 65 × 550	250 M 4	100	
	13,6	36406	1,32	MR C2I 320 - 65 × 550	250 M 4	103	
	13,6	36406	1,7	MR C2I 321 - 65 × 550	250 M 4	103	
	13,8	35809	2,12	MR C2I 360 - 65 × 550	250 M 4	102	
	55	15,6	31624	1,18	MR C2I 280 - 65 × 550	250 M 4	89,7
		15,8	31333	1,5	MR C2I 320 - 65 × 550	250 M 4	88,8
		15,8	31333	1,8	MR C2I 321 - 65 × 550	250 M 4	88,8
		15,3	32228	2,24	MR C2I 360 - 65 × 550	250 M 4	91,4
		17,8	27779	1	MR C2I 250 - 65 × 550	250 M 4	78,8
		17,4	28314	1,25	MR C2I 280 - 65 × 550	250 M 4	80,3
17,7		29125	1,6	MR C2I 320 - 65 × 550	250 M 4	82,6	
17		29125	2	MR C2I 321 - 65 × 550	250 M 4	82,6	
17,2		28647	2,5	MR C2I 360 - 65 × 550	250 M 4	81,2	
19,7		25108	1,12	MR C2I 250 - 65 × 550	250 M 4	71,2	
19,5		25299	1,6	MR C2I 280 - 65 × 550	250 M 4	71,7	
19,7		25067	1,8	MR C2I 320 - 65 × 550	250 M 4	71,1	
19,7		25067	2,24	MR C2I 321 - 65 × 550	250 M 4	71,1	
22,5		21903	1,25	MR C2I 250 - 65 × 550	250 M 4	62,1	
22,1		22324	1,6	MR C2I 280 - 65 × 550	250 M 4	63,3	
21,5		22964	2,12	MR C2I 320 - 65 × 550	250 M 4	65,1	
21,5		22964	2,65	MR C2I 321 - 65 × 550	250 M 4	65,1	
24,6		20078	0,9	MR C2I 225 - 60 × 450	250 M *	56,9	
24,9		19797	1,4	MR C2I 250 - 65 × 550	250 M 4	56,1	
24,8		19947	2	MR C2I 280 - 65 × 550	250 M 4	56,6	
25		19764	2,24	MR C2I 320 - 65 × 550	250 M 4	56	
26,4		18718	0,95	MR C2I 225 - 60 × 450	250 M *	53,1	
26,8		18389	1,5	MR C2I 250 - 65 × 550	250 M 4	52,1	
26,3		18743	1,9	MR C2I 280 - 65 × 550	250 M 4	53,1	
27,3	18093	2,65	MR C2I 320 - 65 × 550	250 M 4	51,3		
29,3	16857	1,06	MR C2I 225 - 60 × 450	250 M *	47,8		
29,7	16621	1,7	MR C2I 250 - 65 × 550	250 M 4	47,1		
29,5	16747	2,12	MR C2I 280 - 65 × 550	250 M 4	47,5		
31,7	15572	2,8	MR C2I 320 - 65 × 550	250 M 4	44,2		
33,8	14603	1,25	MR C2I 225 - 60 × 450	250 M *	41,4		
32,7	15106	1,9	MR C2I 250 - 65 × 550	250 M 4	42,8		
33,7	14654	2,36	MR C2I 280 - 65 × 550	250 M 4	41,6		
38,6	12779	1,4	MR C2I 225 - 60 × 450	250 M *	36,2		
37,6	13136	2	MR C2I 250 - 65 × 550	250 M 4	37,2		
37,3	13236	2,65	MR C2I 280 - 65 × 550	250 M 4	37,5		
44,6	11070	1,4	MR C2I 225 - 60 × 450	250 M *	31,4		
41,4	11938	2,12	MR C2I 250 - 65 × 550	250 M 4	33,9		
44,1	11429	1,5	MR CI 250 - 65 × 550	250 M 4	31,7		
42,6	11581	2,65	MR C2I 280 - 65 × 550	250 M 4	32,8		
48,7	10129	1,8	MR C2I 225 - 60 × 450	250 M *	28,7		
47,4	10413	2,5	MR C2I 250 - 65 × 550	250 M 4	29,5		
50,1	10055	1,5	MR CI 250 - 65 × 550	250 M 4	27,9		
47,1	10492	3,35	MR C2I 280 - 65 × 550	250 M 4	29,8		
56,9	8866	1,06	MR CI 200 - 65 × 550	250 M 4	24,6		
56,3	8775	1,9	MR C2I 225 - 60 × 450	250 M *	24,9		
52,2	9463	2,65	MR C2I 250 - 65 × 550	250 M 4	26,8		
55,2	9143	2,12	MR CI 250 - 65 × 550	250 M 4	25,4		
53,8	9180	3,55	MR C2I 280 - 65 × 550	250 M 4	26		
62,7	8044	2,12	MR CI 250 - 65 × 550	250 M 4	22,3		
69	7306	0,95	MR CI 180 - 60 × 450	250 M *	20,3		
71,1	7093	1,6	MR CI 200 - 65 × 550	250 M 4	19,7		
69	7306	1,9	MR CI 225 - 65 × 550	250 M 4	20,3		
68,9	7314	2,8	MR CI 250 - 65 × 550	250 M 4	20,3		
75	6723	1,06	MR CI 180 - 60 × 450	250 M *	18,7		
77,8	6483	1,7	MR CI 200 - 65 × 550	250 M 4	18		
75	6723	1,9	MR CI 225 - 65 × 550	250 M 4	18,7		
78,4	6435	3,35	MR CI 250 - 65 × 550	250 M 4	17,9		
87,5	5761	1,25	MR CI 180 - 60 × 450	250 M *	16		
84,7	5955	1,7	MR CI 200 - 65 × 550	250 M 4	16,5		
87,5	5761	2,5	MR CI 225 - 65 × 550	250 M 4	16		
95,1	5301	1,4	MR CI 180 - 60 × 450	250 M *	14,7		
98,6	5112	2,24	MR CI 200 - 65 × 550	250 M 4	14,2		
107	4718	1,4	MR CI 180 - 60 × 450	250 M *	13,1		
107	4695	2,36	MR CI 200 - 65 × 550	250 M 4	13		
123	4089	1,4	MR CI 180 - 60 × 450	250 M *	11,4		
124	4057	2,36	MR CI 200 - 65 × 550	250 M 4	11,3		

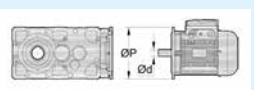
1) Powers valid for continuous duty S1; **increase possible** for duty cycles S2 ... S10 (see ch. 1 «General specifications»); in which case M_2 increases and f_s decreases.

2) For complete designation when ordering see ch. 2.

* Mounting position **B5R** (see ch. 1.2).



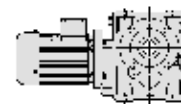
P_1	n_2	M_2	f_s		i
kW	min ⁻¹	N m		2)	
1)					
55	137	3692	1,4	MR CI 180 - 60 × 450 250 M	* 4 10,3
	136	3711	2,36	MR CI 200 - 65 × 550 250 M	4 10,3
	174	2903	2,36	MR CI 200 - 65 × 550 250 M	4 8,06
	217	2326	2,36	MR CI 200 - 65 × 550 250 M	4 6,46
75	10,8	62056	1	MR C2I 321 - 75 × 550 280 S	4 129
	11	61039	1,18	MR C2I 360 - 75 × 550 280 S	4 127
	13,6	49645	1	MR C2I 320 - 75 × 550 280 S	4 103
	13,6	49645	1,25	MR C2I 321 - 75 × 550 280 S	4 103
	13,8	48831	1,6	MR C2I 360 - 75 × 550 280 S	4 102
	15,8	42727	1,06	MR C2I 320 - 75 × 550 280 S	4 88,8
	15,8	42727	1,32	MR C2I 321 - 75 × 550 280 S	4 88,8
	15,3	43948	1,6	MR C2I 360 - 75 × 550 280 S	4 91,4
	17,4	38609	0,95	MR C2I 280 - 75 × 550 280 S	4 80,3
	17	39716	1,18	MR C2I 320 - 75 × 550 280 S	4 82,6
	17	39716	1,5	MR C2I 321 - 75 × 550 280 S	4 82,6
	17,2	39065	1,9	MR C2I 360 - 75 × 550 280 S	4 81,2
	19,5	34499	1,18	MR C2I 280 - 75 × 550 280 S	4 71,7
	19,7	34182	1,32	MR C2I 320 - 75 × 550 280 S	4 71,1
	19,7	34182	1,6	MR C2I 321 - 75 × 550 280 S	4 71,1
	19,1	35158	2	MR C2I 360 - 75 × 550 280 S	4 73,1
	22,5	29868	0,9	MR C2I 250 - 75 × 550 280 S	4 62,1
	22,1	30442	1,18	MR C2I 280 - 75 × 550 280 S	4 63,3
	21,5	31314	1,5	MR C2I 320 - 75 × 550 280 S	4 65,1
	21,5	31314	1,9	MR C2I 321 - 75 × 550 280 S	4 65,1
	21,9	30801	2,36	MR C2I 360 - 75 × 550 280 S	4 64
	24,9	26996	1,06	MR C2I 250 - 75 × 550 280 S	4 56,1
	24,8	27201	1,5	MR C2I 280 - 75 × 550 280 S	4 56,6
	25	26951	1,7	MR C2I 320 - 75 × 550 280 S	4 56
	25	26951	2,12	MR C2I 321 - 75 × 550 280 S	4 56
	24,3	27721	2,5	MR C2I 360 - 75 × 550 280 S	4 57,6
	26,8	25076	1,12	MR C2I 250 - 75 × 550 280 S	4 52,1
	26,3	25559	1,4	MR C2I 280 - 75 × 550 280 S	4 53,1
	27,3	24672	1,9	MR C2I 320 - 75 × 550 280 S	4 51,3
	27,3	24672	2,36	MR C2I 321 - 75 × 550 280 S	4 51,3
	27,7	24267	2,8	MR C2I 360 - 75 × 550 280 S	4 50,5
	29,7	22665	1,25	MR C2I 250 - 75 × 550 280 S	4 47,1
	29,5	22837	1,6	MR C2I 280 - 75 × 550 280 S	4 47,5
	31,7	21234	2,12	MR C2I 320 - 75 × 550 280 S	4 44,2
	32,7	20598	1,4	MR C2I 250 - 75 × 550 280 S	4 42,8
	33,7	19983	1,8	MR C2I 280 - 75 × 550 280 S	4 41,6
	35,4	19010	2,36	MR C2I 320 - 75 × 550 280 S	4 39,5
	37,6	17913	1,5	MR C2I 250 - 75 × 550 280 S	4 37,2
	37,3	18049	2	MR C2I 280 - 75 × 550 280 S	4 37,5
	38,6	17442	2,65	MR C2I 320 - 75 × 550 280 S	4 36,3
	41,4	16279	1,6	MR C2I 250 - 75 × 550 280 S	4 33,9
	44,1	15584	1,06	MR CI 250 - 75 × 550 280 S	4 31,7
	42,6	15793	2	MR C2I 280 - 75 × 550 280 S	4 32,8
	43,1	15615	2,8	MR C2I 320 - 75 × 550 280 S	4 32,5
	47,4	14199	1,9	MR C2I 250 - 75 × 550 280 S	4 29,5
	50,1	13711	1,06	MR CI 250 - 75 × 550 280 S	4 27,9
	47,1	14307	2,5	MR C2I 280 - 75 × 550 280 S	4 29,8
	48,7	13826	3,35	MR C2I 320 - 75 × 550 280 S	4 28,8
	52,2	12904	2	MR C2I 250 - 75 × 550 280 S	4 26,8
	55,2	12467	1,6	MR CI 250 - 75 × 550 280 S	4 25,4
	53,8	12519	2,65	MR C2I 280 - 75 × 550 280 S	4 26
	54,4	12378	3,55	MR C2I 320 - 75 × 550 280 S	4 25,7
62,7	10969	1,6	MR CI 250 - 75 × 550 280 S	4 22,3	
71,1	9672	1,18	MR CI 200 - 75 × 550 280 S	4 19,7	
69	9963	1,32	MR CI 225 - 75 × 550 280 S	4 20,3	
68,9	9974	2,12	MR CI 250 - 75 × 550 280 S	4 20,3	
70	9823	2,65	MR CI 280 - 75 × 550 280 S	4 20	
77,8	8841	1,18	MR CI 200 - 75 × 550 280 S	4 18	
75	9168	1,32	MR CI 225 - 75 × 550 280 S	4 18,7	
78,4	8775	2,36	MR CI 250 - 75 × 550 280 S	4 17,9	

P_1	n_2	M_2	f_s		i	
kW	min ⁻¹	N m		2)		
1)						
75	84,7	8120	1,18	MR CI 200 - 75 × 550 280 S	4 16,5	
	87,5	7856	1,8	MR CI 225 - 75 × 550 280 S	4 16	
	87,5	7858	2,36	MR CI 250 - 75 × 550 280 S	4 16	
	98,6	6970	1,6	MR CI 200 - 75 × 550 280 S	4 14,2	
	95,1	7229	2	MR CI 225 - 75 × 550 280 S	4 14,7	
	107	6402	1,8	MR CI 200 - 75 × 550 280 S	4 13	
	109	6307	2	MR CI 225 - 75 × 550 280 S	4 12,8	
	124	5532	1,8	MR CI 200 - 75 × 550 280 S	4 11,3	
	121	5680	2	MR CI 225 - 75 × 550 280 S	4 11,6	
	136	5060	1,8	MR CI 200 - 75 × 550 280 S	4 10,3	
	140	4920	2	MR CI 225 - 75 × 550 280 S	4 10	
	174	3959	1,8	MR CI 200 - 75 × 550 280 S	4 8,06	
	217	3172	1,8	MR CI 200 - 75 × 550 280 S	4 6,46	
	90	11	73246	1	MR C2I 360 - 75 × 550 280 M	4 127
		13,6	59574	1,06	MR C2I 321 - 75 × 550 280 M	4 103
		13,8	58597	1,32	MR C2I 360 - 75 × 550 280 M	4 102
		15,8	51272	0,9	MR C2I 320 - 75 × 550 280 M	4 88,8
15,8		51272	1,12	MR C2I 321 - 75 × 550 280 M	4 88,8	
15,3		52737	1,32	MR C2I 360 - 75 × 550 280 M	4 91,4	
17		47659	1	MR C2I 320 - 75 × 550 280 M	4 82,6	
17		47659	1,25	MR C2I 321 - 75 × 550 280 M	4 82,6	
17,2		46878	1,6	MR C2I 360 - 75 × 550 280 M	4 81,2	
19,5		41398	0,95	MR C2I 280 - 75 × 550 280 M	4 71,7	
19,7		41018	1,12	MR C2I 320 - 75 × 550 280 M	4 71,1	
19,7		41018	1,4	MR C2I 321 - 75 × 550 280 M	4 71,1	
19,1		42190	1,7	MR C2I 360 - 75 × 550 280 M	4 73,1	
22,1		36530	1	MR C2I 280 - 75 × 550 280 M	4 63,3	
21,5		37577	1,25	MR C2I 320 - 75 × 550 280 M	4 65,1	
21,5		37577	1,6	MR C2I 321 - 75 × 550 280 M	4 65,1	
21,9		36961	2	MR C2I 360 - 75 × 550 280 M	4 64	
24,8		32641	1,25	MR C2I 280 - 75 × 550 280 M	4 56,6	
25		32341	1,4	MR C2I 320 - 75 × 550 280 M	4 56	
25		32341	1,7	MR C2I 321 - 75 × 550 280 M	4 56	
24,3		33265	2,12	MR C2I 360 - 75 × 550 280 M	4 57,6	
26,8		30092	0,9	MR C2I 250 - 75 × 550 280 M	4 52,1	
26,3		30670	1,18	MR C2I 280 - 75 × 550 280 M	4 53,1	
27,3		29606	1,6	MR C2I 320 - 75 × 550 280 M	4 51,3	
27,3		29606	2	MR C2I 321 - 75 × 550 280 M	4 51,3	
27,7		29121	2,36	MR C2I 360 - 75 × 550 280 M	4 50,5	
29,7		27198	1	MR C2I 250 - 75 × 550 280 M	4 47,1	
29,5		27405	1,32	MR C2I 280 - 75 × 550 280 M	4 47,5	
31,7		25481	1,8	MR C2I 320 - 75 × 550 280 M	4 44,2	
31,7		25481	2,24	MR C2I 321 - 75 × 550 280 M	4 44,2	
30,8		26209	2,65	MR C2I 360 - 75 × 550 280 M	4 45,4	
32,7		24718	1,18	MR C2I 250 - 75 × 550 280 M	4 42,8	
33,7	23979	1,5	MR C2I 280 - 75 × 550 280 M	4 41,6		
35,4	22811	2	MR C2I 320 - 75 × 550 280 M	4 39,5		
35,4	22811	2,5	MR C2I 321 - 75 × 550 280 M	4 39,5		
37,6	21495	1,25	MR C2I 250 - 75 × 550 280 M	4 37,2		
37,3	21659	1,6	MR C2I 280 - 75 × 550 280 M	4 37,5		
38,6	20931	2,12	MR C2I 320 - 75 × 550 280 M	4 36,3		
41,4	19535	1,32	MR C2I 250 - 75 × 550 280 M	4 33,9		
42,6	18951	1,7	MR C2I 280 - 75 × 550 280 M	4 32,8		
43,1	18738	2,36	MR C2I 320 - 75 × 550 280 M	4 32,5		
47,4	17039	1,5	MR C2I 250 - 75 × 550 280 M	4 29,5		
47,1	17169	2,12	MR C2I 280 - 75 × 550 280 M	4 29,8		
48,7	16591	2,65	MR C2I 320 - 75 × 550 280 M	4 28,8		
52,2	15485	1,7	MR C2I 250 - 75 × 550 280 M	4 26,8		
55,2	14961	1,32	MR CI 250 - 75 × 550 280 M	4 25,4		
53,8	15022	2,24	MR C2I 280 - 75 × 550 280 M	4 26		
54,4	14853	3	MR C2I 320 - 75 × 550 280 M	4 25,7		
62,7	13163	1,32	MR CI 250 - 75 × 550 280 M	4 22,3		

1) Powers valid for continuous duty S1; **increase possible** for duty cycles S2 ... S10 (see ch. 1 «General specifications»): in which case M_2 increases and f_s decreases.

2) For complete designation when ordering see ch. 2.

* Mounting position **B5R** (see ch. 1.2).



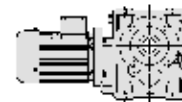
P_1	n_2	M_2	f_s		i
kW	min ⁻¹	N m		2)	
1)					
90	71,1	11606	0,95	MR CI 200 - 75 × 550 280 M	4 19,7
	69	11956	1,12	MR CI 225 - 75 × 550 280 M	4 20,3
	68,9	11969	1,8	MR CI 250 - 75 × 550 280 M	4 20,3
	70	11787	2,24	MR CI 280 - 75 × 550 280 M	4 20
	77,8	10609	1	MR CI 200 - 75 × 550 280 M	4 18
	75	11002	1,12	MR CI 225 - 75 × 550 280 M	4 18,7
	78,4	10530	2	MR CI 250 - 75 × 550 280 M	4 17,9
	77,8	10609	2,24	MR CI 280 - 75 × 550 280 M	4 18
	84,7	9744	1	MR CI 200 - 75 × 550 280 M	4 16,5
	87,5	9427	1,5	MR CI 225 - 75 × 550 280 M	4 16
	87,5	9430	2	MR CI 250 - 75 × 550 280 M	4 16
	88,8	9294	3	MR CI 280 - 75 × 550 280 M	4 15,8
	98,6	8365	1,32	MR CI 200 - 75 × 550 280 M	4 14,2
	95,1	8674	1,7	MR CI 225 - 75 × 550 280 M	4 14,7
	99,4	8303	2,65	MR CI 250 - 75 × 550 280 M	4 14,1
	107	7683	1,5	MR CI 200 - 75 × 550 280 M	4 13
	109	7568	1,7	MR CI 225 - 75 × 550 280 M	4 12,8
	111	7435	3	MR CI 250 - 75 × 550 280 M	4 12,6
	124	6639	1,5	MR CI 200 - 75 × 550 280 M	4 11,3
	121	6816	1,7	MR CI 225 - 75 × 550 280 M	4 11,6
	123	6720	3	MR CI 250 - 75 × 550 280 M	4 11,4
	136	6072	1,5	MR CI 200 - 75 × 550 280 M	4 10,3
	140	5904	1,7	MR CI 225 - 75 × 550 280 M	4 10
	135	6107	3	MR CI 250 - 75 × 550 280 M	4 10,4
	174	4750	1,5	MR CI 200 - 75 × 550 280 M	4 8,06
	217	3806	1,5	MR CI 200 - 75 × 550 280 M	4 6,46
110	13,8	71619	1,06	MR C2I 360 - 80 × 660 315 S	4 102
	15,8	62666	0,9	MR C2I 321 - 80 × 660 315 S	4 88,8
	15,3	64457	1,12	MR C2I 360 - 80 × 660 315 S	4 91,4
	17	58250	1	MR C2I 321 - 80 × 660 315 S	4 82,6
	17,2	57295	1,32	MR C2I 360 - 80 × 660 315 S	4 81,2
	19,7	50133	0,9	MR C2I 320 - 80 × 660 315 S	4 71,1
	19,7	50133	1,12	MR C2I 321 - 80 × 660 315 S	4 71,1
	19,1	51565	1,4	MR C2I 360 - 80 × 660 315 S	4 73,1
	21,5	45928	1,06	MR C2I 320 - 80 × 660 315 S	4 65,1
	21,5	45928	1,32	MR C2I 321 - 80 × 660 315 S	4 65,1
	21,9	45175	1,6	MR C2I 360 - 80 × 660 315 S	4 64
	24,8	39895	1	MR C2I 280 - 75 × 550 315 S	* 4 56,6
	25	39528	1,12	MR C2I 320 - 80 × 660 315 S	4 56
	25	39528	1,4	MR C2I 321 - 80 × 660 315 S	4 56
	24,3	40657	1,7	MR C2I 360 - 80 × 660 315 S	4 57,6
	26,3	37486	0,95	MR C2I 280 - 75 × 550 315 S	* 4 53,1
	27,3	36186	1,32	MR C2I 320 - 80 × 660 315 S	4 51,3
	27,3	36186	1,6	MR C2I 321 - 80 × 660 315 S	4 51,3
	27,7	35592	1,9	MR C2I 360 - 80 × 660 315 S	4 50,5
	29,5	33495	1,06	MR C2I 280 - 75 × 550 315 S	* 4 47,5
	31,7	31143	1,4	MR C2I 320 - 80 × 660 315 S	4 44,2
	31,7	31143	1,8	MR C2I 321 - 80 × 660 315 S	4 44,2
	30,8	32033	2,24	MR C2I 360 - 80 × 660 315 S	4 45,4
	33,7	29308	1,18	MR C2I 280 - 75 × 550 315 S	* 4 41,6
	35,4	27881	1,6	MR C2I 320 - 80 × 660 315 S	4 39,5
	35,4	27881	2	MR C2I 321 - 80 × 660 315 S	4 39,5
	34,1	28919	2,5	MR C2I 360 - 80 × 660 315 S	4 41
	37,3	26472	1,32	MR C2I 280 - 75 × 550 315 S	* 4 37,5
	38,6	25582	1,8	MR C2I 320 - 80 × 660 315 S	4 36,3
	38,6	25582	2,24	MR C2I 321 - 80 × 660 315 S	4 36,3
	37,5	26313	2,65	MR C2I 360 - 80 × 660 315 S	4 37,3
	42,6	23163	1,32	MR C2I 280 - 75 × 550 315 S	* 4 32,8
	43,1	22902	2	MR C2I 320 - 80 × 660 315 S	4 32,5
	41,6	23755	2,65	MR C2I 360 - 80 × 660 315 S	4 33,7
	47,1	20984	1,7	MR C2I 280 - 75 × 550 315 S	* 4 29,8
	48,7	20278	2,24	MR C2I 320 - 80 × 660 315 S	4 28,8
	48,7	20278	2,8	MR C2I 321 - 80 × 660 315 S	4 28,8
	47,3	20858	3,35	MR C2I 360 - 80 × 660 315 S	4 29,6

P_1	n_2	M_2	f_s		i
kW	min ⁻¹	N m		2)	
1)					
110	55,2	18286	1,06	MR CI 250 - 80 × 660 315 S	4 25,4
	53,8	18361	1,8	MR C2I 280 - 75 × 550 315 S	* 4 26
	54,4	18154	2,5	MR C2I 320 - 80 × 660 315 S	4 25,7
	54,4	18154	3,15	MR C2I 321 - 80 × 660 315 S	4 25,7
	52,4	18830	3,55	MR C2I 360 - 80 × 660 315 S	4 26,7
	62,7	16088	1,06	MR CI 250 - 80 × 660 315 S	4 22,3
	69	14613	0,95	MR CI 225 - 75 × 550 315 S	* 4 20,3
	68,9	14629	1,4	MR CI 250 - 80 × 660 315 S	4 20,3
	70	14407	1,9	MR CI 280 - 80 × 660 315 S	4 20
	75	13446	0,95	MR CI 225 - 75 × 550 315 S	* 4 18,7
	78,4	12870	1,7	MR CI 250 - 80 × 660 315 S	4 17,9
	77,8	12966	1,9	MR CI 280 - 80 × 660 315 S	4 18
	87,5	11522	1,25	MR CI 225 - 75 × 550 315 S	* 4 16
	87,5	11525	1,7	MR CI 250 - 80 × 660 315 S	4 16
	88,8	11359	2,5	MR CI 280 - 80 × 660 315 S	4 15,8
	95,1	10602	1,32	MR CI 225 - 75 × 550 315 S	* 4 14,7
	99,4	10148	2,24	MR CI 250 - 80 × 660 315 S	4 14,1
	109	9250	1,32	MR CI 225 - 75 × 550 315 S	* 4 12,8
	111	9087	2,36	MR CI 250 - 80 × 660 315 S	4 12,6
	121	8330	1,32	MR CI 225 - 75 × 550 315 S	* 4 11,6
	123	8214	2,36	MR CI 250 - 80 × 660 315 S	4 11,4
	140	7216	1,32	MR CI 225 - 75 × 550 315 S	* 4 10
	135	7465	2,36	MR CI 250 - 80 × 660 315 S	4 10,4
132	15,3	77348	0,9	MR C2I 360 - 80 × 660 315 M	4 91,4
	17,2	68754	1,06	MR C2I 360 - 80 × 660 315 M	4 81,2
	19,7	60160	0,95	MR C2I 321 - 80 × 660 315 M	4 71,1
	19,1	61879	1,12	MR C2I 360 - 80 × 660 315 M	4 73,1
	21,5	55113	1,06	MR C2I 321 - 80 × 660 315 M	4 65,1
	21,9	54210	1,32	MR C2I 360 - 80 × 660 315 M	4 64
	25	47434	0,95	MR C2I 320 - 80 × 660 315 M	4 56
	25	47434	1,18	MR C2I 321 - 80 × 660 315 M	4 56
	24,3	48789	1,5	MR C2I 360 - 80 × 660 315 M	4 57,6
	27,3	43423	1,06	MR C2I 320 - 80 × 660 315 M	4 51,3
	27,3	43423	1,32	MR C2I 321 - 80 × 660 315 M	4 51,3
	27,7	42711	1,6	MR C2I 360 - 80 × 660 315 M	4 50,5
	31,7	37372	1,18	MR C2I 320 - 80 × 660 315 M	4 44,2
	31,7	37372	1,5	MR C2I 321 - 80 × 660 315 M	4 44,2
	30,8	38440	1,8	MR C2I 360 - 80 × 660 315 M	4 45,4
	35,4	33457	1,32	MR C2I 320 - 80 × 660 315 M	4 39,5
	35,4	33457	1,7	MR C2I 321 - 80 × 660 315 M	4 39,5
	34,1	34703	2	MR C2I 360 - 80 × 660 315 M	4 41
	38,6	30698	1,5	MR C2I 320 - 80 × 660 315 M	4 36,3
	38,6	30698	1,8	MR C2I 321 - 80 × 660 315 M	4 36,3
	37,5	31575	2,24	MR C2I 360 - 80 × 660 315 M	4 37,3
	43,1	27482	1,6	MR C2I 320 - 80 × 660 315 M	4 32,5
	41,6	27482	2	MR C2I 321 - 80 × 660 315 M	4 32,5
	41,6	28506	2,24	MR C2I 360 - 80 × 660 315 M	4 33,7
	48,7	24334	1,8	MR C2I 320 - 80 × 660 315 M	4 28,8
	48,7	24334	2,36	MR C2I 321 - 80 × 660 315 M	4 28,8
	47,3	25029	2,8	MR C2I 360 - 80 × 660 315 M	4 29,6
	55,2	21943	0,9	MR CI 250 - 80 × 660 315 M	4 25,4
	54,4	21785	2,12	MR C2I 320 - 80 × 660 315 M	4 25,7
	54,4	21785	2,65	MR C2I 321 - 80 × 660 315 M	4 25,7
	52,4	22596	3	MR C2I 360 - 80 × 660 315 M	4 26,7
	62,7	19305	0,9	MR CI 250 - 80 × 660 315 M	4 22,3
	68,9	17554	1,18	MR CI 250 - 80 × 660 315 M	4 20,3
	70	17288	1,5	MR CI 280 - 80 × 660 315 M	4 20
	78,4	15444	1,4	MR CI 250 - 80 × 660 315 M	4 17,9
	77,8	15559	1,5	MR CI 280 - 80 × 660 315 M	4 18
	87,5	13831	1,4	MR CI 250 - 80 × 660 315 M	4 16
	88,8	13631	2,12	MR CI 280 - 80 × 660 315 M	4 15,8
	99,4	12177	1,9	MR CI 250 - 80 × 660 315 M	4 14,1
	98,6	12268	2,24	MR CI 280 - 80 × 660 315 M	4 14,2

1) Powers valid for continuous duty S1; **increase possible** for duty cycles S2 ... S10 (see ch. 1 «General specifications»); in which case M_2 increases and f_s decreases.

2) For complete designation when ordering see ch. 2.

* Mounting position **B5R** (see ch. 1.2).



P_1	n_2	M_2	f_s	2)		i
kW	min ⁻¹	N m				
1)						
132	111	10905	2	MR CI 250 - 80 × 660	315 M	4 12,6
	109	11115	2,24	MR CI 280 - 80 × 660	315 M	4 12,9
	123	9856	2	MR CI 250 - 80 × 660	315 M	4 11,4
	122	9931	2,24	MR CI 280 - 80 × 660	315 M	4 11,5
	135	8958	2	MR CI 250 - 80 × 660	315 M	4 10,4
	139	8690	2,24	MR CI 280 - 80 × 660	315 M	4 10,1
160	17,2	83338	0,9	MR C2I 360 - 80 × 660	315 MC	4 81,2
	19,1	75004	0,95	MR C2I 360 - 80 × 660	315 MC	4 73,1
	21,9	65709	1,12	MR C2I 360 - 80 × 660	315 MC	4 64
	25	57495	0,95	MR C2I 321 - 80 × 660	315 MC	4 56
	24,3	59138	1,18	MR C2I 360 - 80 × 660	315 MC	4 57,6
	27,3	52633	0,9	MR C2I 320 - 80 × 660	315 MC	4 51,3
	27,3	52633	1,12	MR C2I 321 - 80 × 660	315 MC	4 51,3
	27,7	51771	1,32	MR C2I 360 - 80 × 660	315 MC	4 50,5
	31,7	45299	1	MR C2I 320 - 80 × 660	315 MC	4 44,2
	31,7	45299	1,25	MR C2I 321 - 80 × 660	315 MC	4 44,2
	30,8	46594	1,5	MR C2I 360 - 80 × 660	315 MC	4 45,4
	35,4	40554	1,12	MR C2I 320 - 80 × 660	315 MC	4 39,5
	35,4	40554	1,4	MR C2I 321 - 80 × 660	315 MC	4 39,5
	34,1	42064	1,7	MR C2I 360 - 80 × 660	315 MC	4 41

P_1	n_2	M_2	f_s	2)		i
kW	min ⁻¹	N m				
1)						
160	38,6	37210	1,18	MR C2I 320 - 80 × 660	315 MC	4 36,3
	38,6	37210	1,5	MR C2I 321 - 80 × 660	315 MC	4 36,3
	37,5	38273	1,9	MR C2I 360 - 80 × 660	315 MC	4 37,3
	43,1	33312	1,32	MR C2I 320 - 80 × 660	315 MC	4 32,5
	43,1	33312	1,7	MR C2I 321 - 80 × 660	315 MC	4 32,5
	41,6	34552	1,9	MR C2I 360 - 80 × 660	315 MC	4 33,7
	48,7	29496	1,5	MR C2I 320 - 80 × 660	315 MC	4 28,8
	48,7	29496	1,9	MR C2I 321 - 80 × 660	315 MC	4 28,8
	47,3	30339	2,36	MR C2I 360 - 80 × 660	315 MC	4 29,6
	54,4	26406	1,7	MR C2I 320 - 80 × 660	315 MC	4 25,7
	54,4	26406	2,12	MR C2I 321 - 80 × 660	315 MC	4 25,7
	52,4	27389	2,5	MR C2I 360 - 80 × 660	315 MC	4 26,7
	70	20955	1,25	MR CI 280 - 80 × 660	315 MC	4 20
	77,8	18860	1,25	MR CI 280 - 80 × 660	315 MC	4 18
	88,8	16523	1,7	MR CI 280 - 80 × 660	315 MC	4 15,8
	98,6	14870	1,9	MR CI 280 - 80 × 660	315 MC	4 14,2
	109	13472	1,9	MR CI 280 - 80 × 660	315 MC	4 12,9
	122	12038	1,9	MR CI 280 - 80 × 660	315 MC	4 11,5
	139	10533	1,9	MR CI 280 - 80 × 660	315 MC	4 10,1

1) Powers valid for continuous duty S1; **increase possible** for duty cycles S2 ... S10 (see ch. 1 «General specifications»): in which case M_2 increases and f_s decreases.

2) For complete designation when ordering see ch. 2.

This page is intentionally left blank.

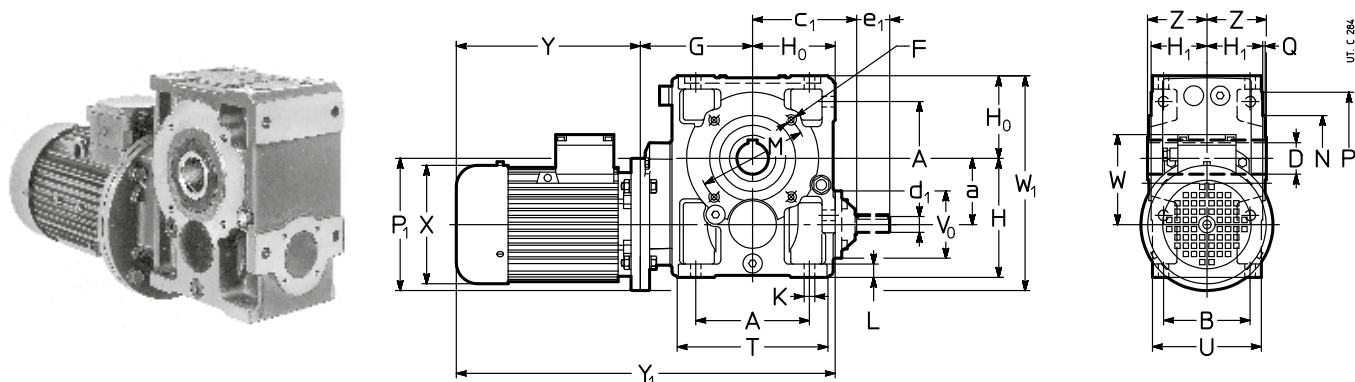
14 – Dimensions, designs, mounting positions of bevel helical gearmotors

14.1 - Gearmotors MR CI	278
Dimensions	278
Designs (direction of rotation)	280
Mounting positions	281
Lubrication details	282
14.2 - Gearmotors MR ICI	283
Dimensions	283
Designs (direction of rotation)	284
Mounting positions	284
Lubrication details	285
14.3 - Gearmotors MR C3I	286
Dimensions	286
Designs (direction of rotation)	286
Mounting positions	287
Lubrication details	288
14.4 - Gearmotors MR C2I	289
Dimensions	289
Designs (direction of rotation)	290
Mounting positions	291
Lubrication details	292

14.1 - Gearmotors MR CI

Dimensions

MR CI 40 ... 100



Red.	Mot.	a	A	c ₁	D ∅	d ₁ ∅	e ₁	d ₂ ∅	e ₂	F	G	H	H ₀	H ₁	K	L	M ∅	N ∅	P ∅	Q	T	V ₀ ∅	Z	P ₁ ∅	X ∅	Y	Y ₁	W	W ₁	kg													
		B5	B		i _N ≤ 12,5	i _N ≥ 16	1)		1)												U					2)	2)			2)													
40	63	41,5	73	74	19	11	23	11	23	M5	87	82	56	41,5	7	10	75	60	90	2,5	102	43	46	140	123	189	244	332	387	95	168	12	14										
	71		65																		80			160	138	216	278	359	421	112	192	15	18										
50	63	50	86	94	24	16	30	14	30	M6	98	100	67	49	9,5	12	85	70	105	2,5	120	78	53	140	123	189	244	354	409	95	187	16	18										
	71																																	160	138	216	278	381	443	112	197	19	22
	80																																	200	176	287	366	485	564	141	243	24	28
63	71	63	102	108	30	16	30	14	30	M8	118	125	80	58,5	11,5	14	100	80	120	3	143	78	63	160	138	216	278	414	476	112	223	24	27										
	80																																	200	156	233	302	431	500	121	243	29	33
	90																																	200	176	287	366	485	564	141	243	34	40
	100 ⁴⁾																																	200	194	337	432	535	630	151	251	41	47
80	80	80	132	131	38	19	40	16	30	M10	138	150	100	69,5	14	17	130	110	160	3,5	180	86	75	200	156	233	302	471	540	121	280	40	44										
	90																																	200	176	287	366	525	604	141	280	45	51
	100 ⁵⁾																																	250	194	310	405	558	653	151	305	52	58
	112 ⁵⁾																																	250	218	336	435	584	683	163	305	64	73
																																		300	257	445	553	760	868	194	375	120	132
100	90	100	172	131	48	24	50	19	40	M12	170	180	125	84,5	16	20	165	130	200	3,5	228	104	90	200	176	287	366	582	661	141	325	65	71										
	100																																	250	194	310	405	605	700	151	350	72	78
	112																																	250	218	336	435	631	730	163	350	84	93
	132 ⁵⁾																																	300	257	445	553	760	868	194	375	120	132

1) Working length of thread 2 · F.

2) Values valid for brake motor.

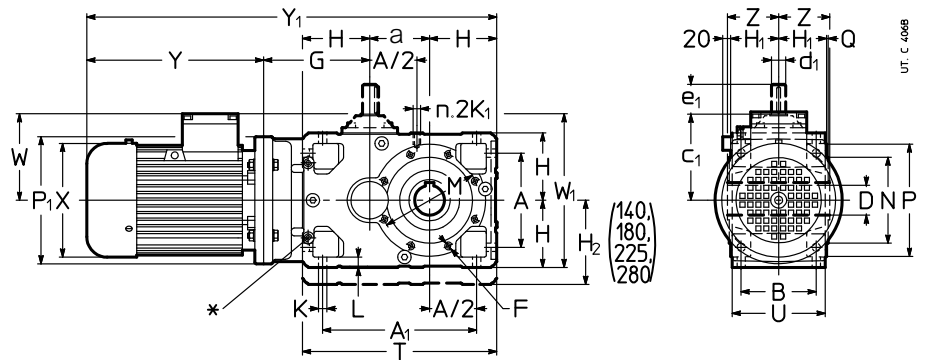
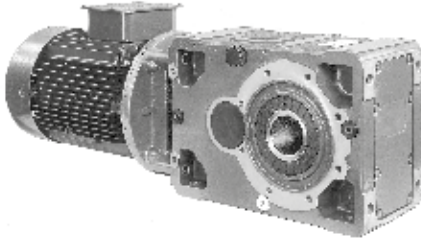
3) On request and with price addition, dimension P₁ = 160: consult us.

4) Mounting position **B5R** (see ch. 1.2).

5) On request for 100LB 4, 112M 4 and 132M 4 also mounting position **B5R** (see ch. 1.2; dimensions Y and Y₂ increase by 27 mm, 26 mm and 35 mm, respectively).



MR CI 125 ... 280



Red.	Mot. B5	a	A	A ₁	c ₁	D Ø H7	d ₁ Ø	e ₁	d ₁ Ø	e ₁	F	G	H	H ₁	H ₂	K Ø	K ₁	M Ø	N Ø h6	P Ø	T	Z	P ₁ Ø	X Ø	Y	Y ₁	W	W ₁	kg			
		B	B	B	B	≤ 16	≥ 18	1)	2)	3)	3)	3)	3)	3)	3)	3)	3)	3)	3)	3)	3)	3)	3)	3)	3)	3)	3)	3)	3)	3)		
125	132	125	212	337	188	60	28	60	24	50	4)	220	150	103,5	-	18	M12	215	180	250	425	110	300	257	445	553	940	1048	194	425	168	180
	160	125	212	337	188	60	28	60	24	50	4)	220	150	103,5	-	18	M12	215	180	250	425	110	350	315	540	630	1065	1155	240	450	225	262
	180	125	212	337	188	60	28	60	24	50	4)	220	150	103,5	-	18	M12	215	180	250	425	110	350	360	590	725	1130	1265	278	495	355	403
140	132	140	212	352	188	70	28	60	24	50	4)	220	150	103,5	180	18	M12	265	230	300	440	125	300	257	445	553	955	1063	194	470	181	193
	160	140	212	352	188	70	28	60	24	50	4)	220	150	103,5	180	18	M12	265	230	300	440	125	350	315	540	630	1080	1170	240	495	238	275
	180	140	212	352	188	70	28	60	24	50	4)	220	150	103,5	180	18	M12	265	230	300	440	125	350	360	590	725	1130	1265	278	495	355	403
	200 ⁶⁾	140	212	352	188	70	28	60	24	50	4)	220	150	103,5	180	18	M12	265	230	300	440	125	350	400	685	795	1225	1335	310	495	350	398
160	160	160	252	412	226	80	38	80	32	80	M16	282	180	128,5	-	22	M16	265	230	300	520	136	350	315	540	630	1162	1252	240	515	294	331
	180	160	252	412	226	80	38	80	32	80	M16	282	180	128,5	-	22	M16	265	230	300	520	136	350	360	590	725	1212	1347	278	515	411	459
	200	160	252	412	226	80	38	80	32	80	M16	282	180	128,5	-	22	M16	265	230	300	520	136	400	400	650	760	1272	1382	310	540	406	454
	225	160	252	412	226	80	38	80	32	80	M16	282	180	128,5	-	22	M16	265	230	300	520	136	450	450	680	-	1332	-	330	565	501	-
180	180	180	252	432	226	90	38	80	32	80	M16	282	180	128,5	225	22	M16	300	250	350	540	150	350	360	590	725	1232	1367	278	580	434	482
	200	180	252	432	226	90	38	80	32	80	M16	282	180	128,5	225	22	M16	300	250	350	540	150	400	400	650	760	1292	1402	310	605	429	477
	225	180	252	432	226	90	38	80	32	80	M16	282	180	128,5	225	22	M16	300	250	350	540	150	450	450	680	-	1352	-	330	630	524	-
	250 ⁶⁾	180	252	432	226	90	38	80	32	80	M16	282	180	128,5	225	22	M16	300	250	350	540	150	450	485	736	-	1408	-	375	630	667	-
200	180	200	320	520	282	100	48	110	38	80	4)	325	225	158	-	27	M20	350	300	400	650	167	350	360	590	725	1340	1475	278	600	535	583
	200	200	320	520	282	100	48	110	38	80	4)	325	225	158	-	27	M20	350	300	400	650	167	400	400	650	760	1400	1510	310	625	530	578
	225	200	320	520	282	100	48	110	38	80	4)	325	225	158	-	27	M20	350	300	400	650	167	450	450	680	-	1460	-	330	650	625	-
	250	200	320	520	282	100	48	110	38	80	4)	325	225	158	-	27	M20	350	300	400	650	167	550	485	736	-	1516	-	375	700	768	-
	280	200	320	520	282	100	48	110	38	80	4)	325	225	158	-	27	M20	350	300	400	650	167	550	550	928	-	1708	-	405	700	977	-
225	225	225	320	545	282	110	48	110	38	80	M20	355	225	158	280	27	M20	400	350	450	675	180	450	450	680	-	1485	-	330	730	667	-
	250	225	320	545	282	110	48	110	38	80	M20	355	225	158	280	27	M20	400	350	450	675	180	550	485	736	-	1541	-	375	780	810	-
	280	225	320	545	282	110	48	110	38	80	M20	355	225	158	280	27	M20	400	350	450	675	180	550	550	928	-	1733	-	405	780	1019	-
	315 ⁶⁾	225	320	545	282	110	48	110	38	80	M20	355	225	158	280	27	M20	400	350	450	675	180	550	620	1015	-	1820	-	530	805	1312	-
250	225	250	396	646	357	125	55	110	48	110	4)	410	280	195	-	33	M24	500	450	550	810	206	450	450	680	-	1620	-	330	755	898	-
	250	250	396	646	357	125	55	110	48	110	4)	410	280	195	-	33	M24	500	450	550	810	206	550	485	736	-	1676	-	375	805	981	-
	280	250	396	646	357	125	55	110	48	110	4)	410	280	195	-	33	M24	500	450	550	810	206	550	550	928	-	1868	-	405	805	1194	-
	315	250	396	646	357	125	55	110	48	110	4)	410	280	195	-	33	M24	500	450	550	810	206	660	620	1155	-	2125	-	530	860	1705	-
280	280	280	396	676	357	140	55	110	48	110	M24	410	280	195	355	33	M24	500	450	550	840	222	550	550	928	-	1898	-	405	870	1267	-
	315	280	396	676	357	140	55	110	48	110	M24	440	280	195	355	33	M24	500	450	550	840	222	660	620	1155	-	2155	-	530	925	1778	-

* Machined surface and N. 2 threaded holes (dimensions in ch. 6 «Gear reducer input face») on opposite side (not in view) too.

1) Working length of thread 2 · F.

2) Working length of thread 2 · K₁.

3) Values valid for brake motor.

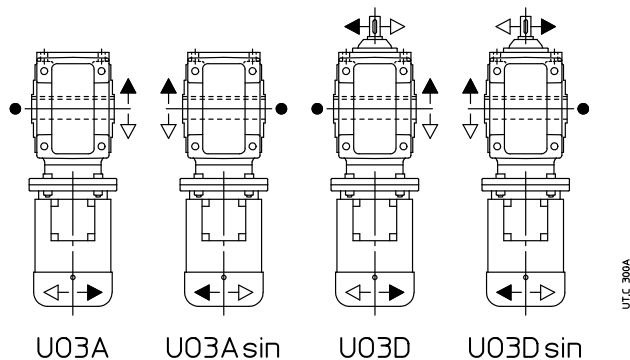
4) For dimension, number and angular position see ch. 6.

6) Mounting position B5R (see ch. 1.2).

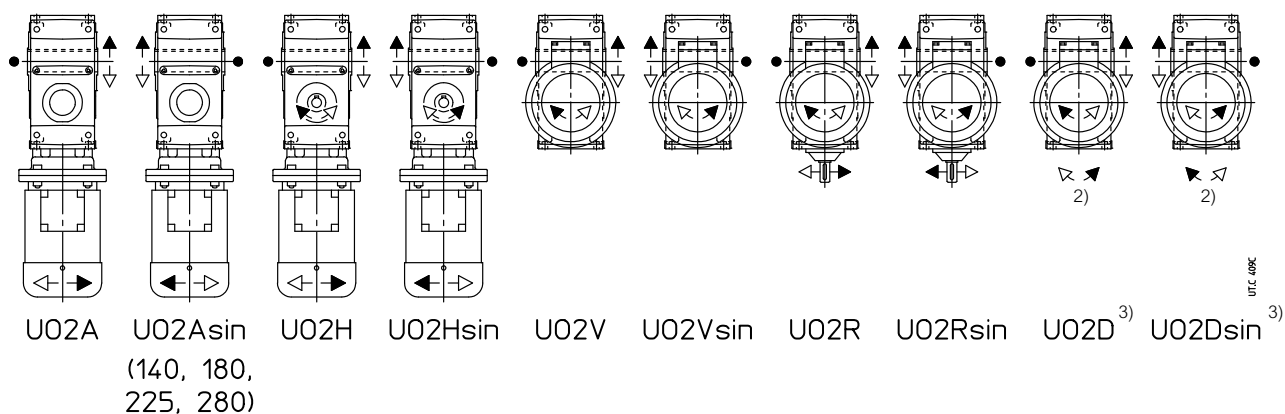


Designs¹⁾ (direction of rotation)

MR CI 40 ... 100



MR CI 125 ... 280



● Position of reference groove (see ch. 6) for radial load verification.

1) For motor design see ch. 2.

2) Direction of rotation of high speed shaft extension not in view.

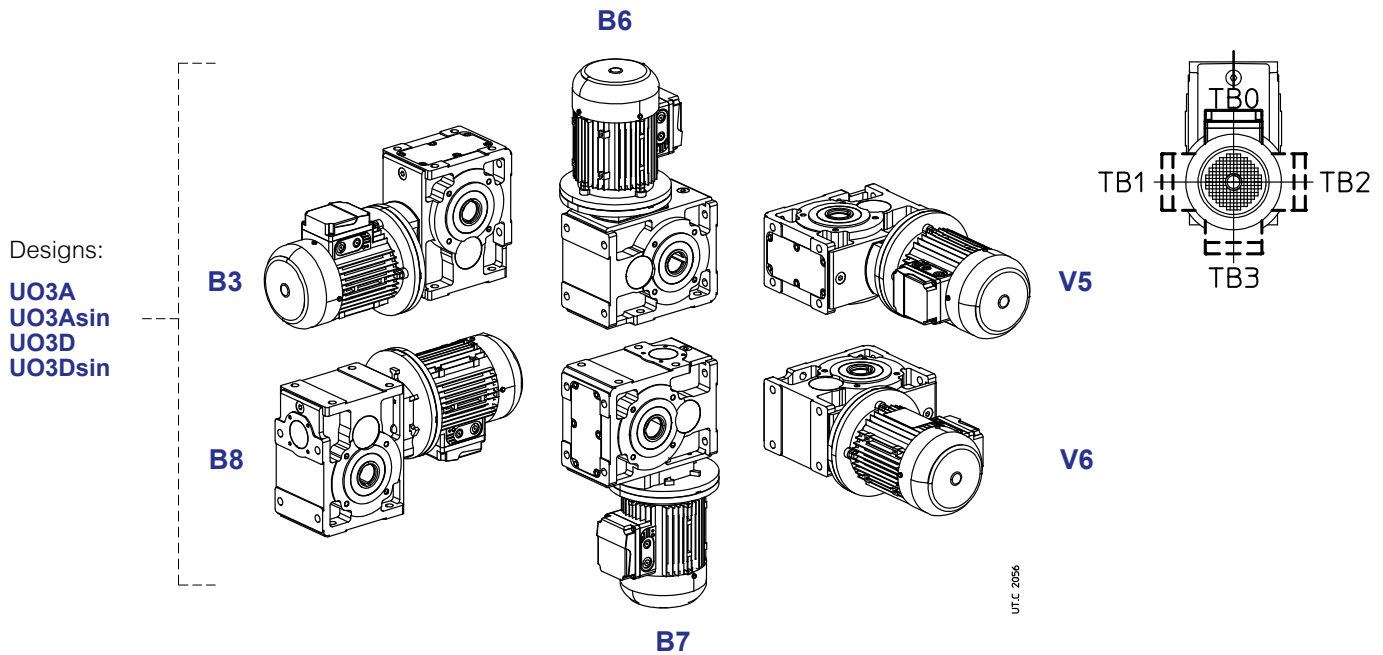
3) Design **not possible** for sizes 140, 180, 225 and 280.

Dimensions, designs, mounting positions of bevel helical gearmotors 14

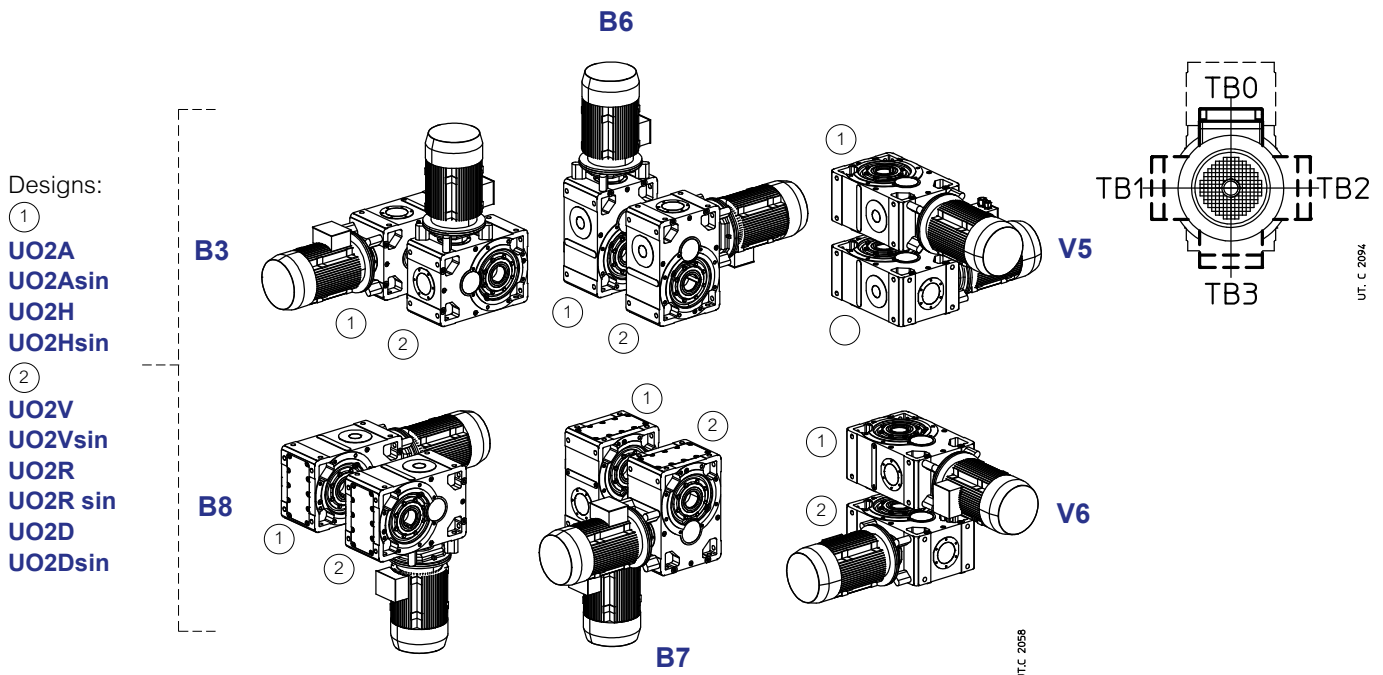
Mounting positions

Unless otherwise stated, gear reducers are supplied in mounting position **B3** (see ch. 2).

MR CI 40 ... 100



MR CI 125 ... 280



Oil quantity

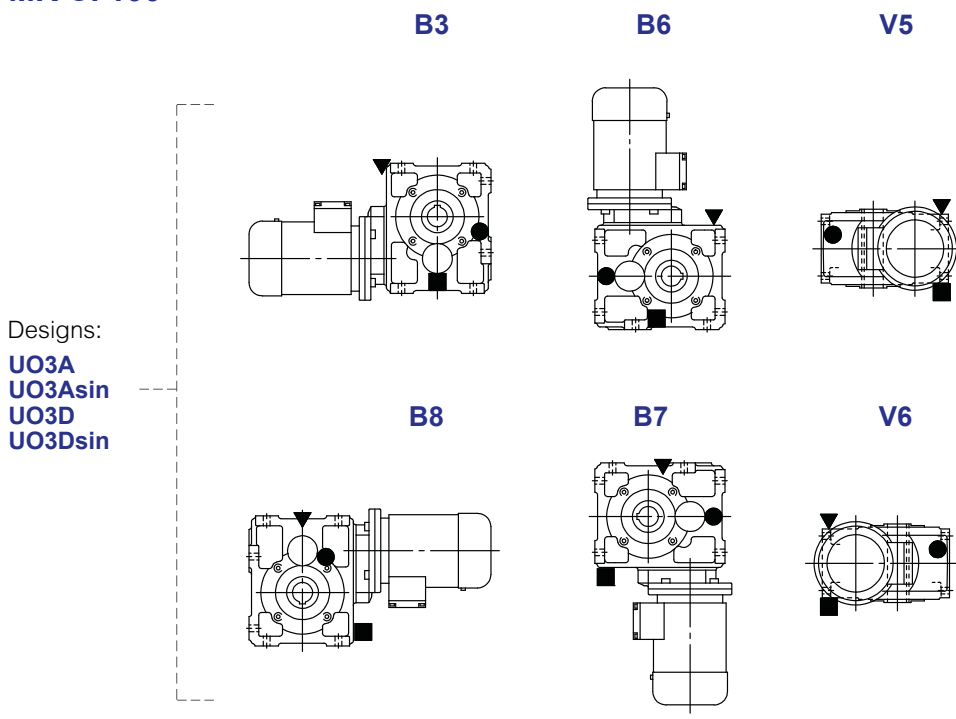
MR CI 40 ... 280

Lubricant quantities [l] stated are approximate for provisioning. The exact oil quantity the gear reducer is to be filled with is defined by the level plug.

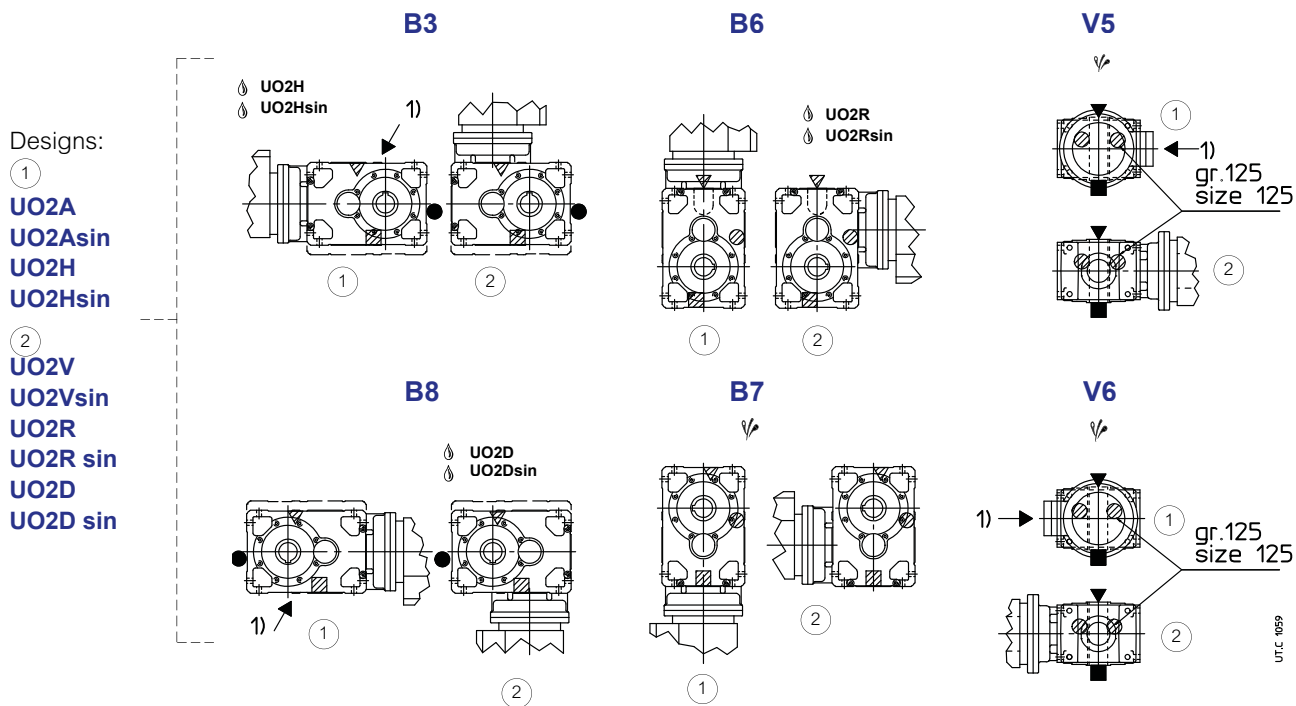
Mounting position	40	50	63, 64	80, 81	100	125	140	160	180	200	225	250	280
B3	0,26	0,4	0,8	1,3	2,6	5,3	8,2	10,5	16,1	20,5	31,5	40	61
B8	0,35	0,6	1	2	3,8	5,3	5,5	10,5	10,7	20,5	21	40	41
B6	0,26	0,4	0,8	1,3	2,9	7	8,7	13,7	17	26,7	33,3	52	65
B7	0,26	0,4	0,8	1,3	2,9	7,6	9,7	15	19	29	37	57	72
V5	0,3	0,45	0,95	1,8	3,5	8,9	10,3	17,5	20,1	34	39,3	67	77
V6	0,3	0,45	0,95	1,8	3,5	8,9	10,3	17,5	20,1	34	39,3	67	77

Lubrication details

MR CI 100



MR CI 125 ... 280



▽ Possible high oil splash: for the corrective factor f_3 of nominal thermal power P_{tN} see ch. 4.

⊕ Possible bearing lubrication pump (see ch. 17 (19)).

1) Threaded hole position for mounting position individuation.

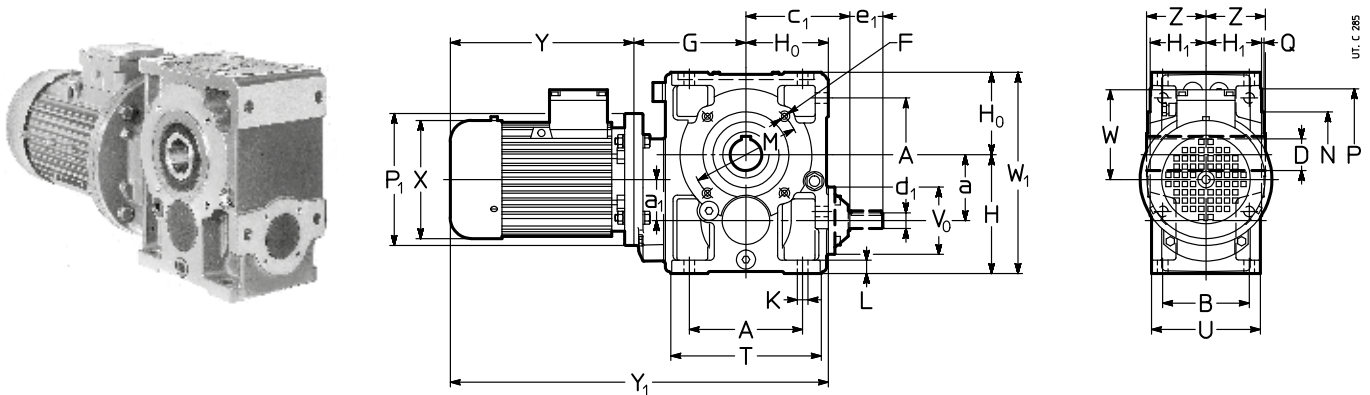
▼ oil filler plug
 ● oil level plug
 ■ oil drain plug

▽ oil filler plug on opposite side (not in view)
 ● oil level plug on opposite side (not in view)
 ■ oil drain plug on opposite side (not in view)

14.2 - Gearmotors MR ICI

Dimensions

MR ICI 40 ... 200



Red.	Mot.	a	A	c ₁	D Ø H7	d ₁ Ø	e ₁	d Ø	e	F	G	H	H ₀	H ₁	K	L	M	N	P	Q	T	V ₀ Ø	Z	P ₁ Ø	X Ø	Y	Y ₁	W	W ₁	kg			
	B5	a ₁	B			i _N ≤ 25		i _N ≥ 31,5		1)		h ₁₁	h ₁₁	h ₁₂	Ø	Ø	Ø	Ø	Ø	Ø	Ø	Ø	Ø	Ø	Ø	Ø	Ø	Ø	Ø	Ø	Ø		
																					U												
40	63 71	41,5 40	73 65	74	19	11	23	11	23	M5	87	82	56	41,5	7	10	75	60	90	2,5	102 80	43	46	140 160	123 138	189 216	244 278	332 359	387 421	95 112	176 193	12 15	14 18
50	63 71 80	50 40	86 75	94	24	16	30	14 ⁵⁾	30 ⁵⁾	M6	98	100	67	49	9,5	12	85	70	105	2,5	120 95	78	53	140 160 200 ⁷⁾	123 138 156	189 216 233	244 278 302	354 381 398	409 443 467	95 112 121	185 202 221	16 19 24	18 22 28
63 64	71 80 90	63 50	102 90	108	30 (63) 32 (64)	16	30	14 ⁵⁾	30 ⁵⁾	M8	118	125	80	58,5	11,5	14	100	80	120	3	143 114	78	63	160 200 200	138 156 176	216 233 287	278 302 366	414 431 485	476 500 564	112 121 141	224 233 253	24 29 34	27 33 40
80 81	71 80 90 100 ⁶⁾	80 50	132 106	131	38 (80) 40 (81)	19	40	16 ⁵⁾	30 ⁵⁾	M10	138	150	100	69,5	14	17	130	110	160	3,5	180 135	86	75	160 200 200 200	138 156 176 194	216 233 287 337	278 302 366 432	454 471 525 575	516 540 604 670	112 121 141 151	250 250 261 271	36 41 46 53	39 45 52 59
100	80 90 100 112	100 62,5	172 131	157	48	24	50	19 ⁵⁾	40 ⁵⁾	M12	170	180	125	84,5	16	20	165	130	200	3,5	228 165	104	90	200 200 250 250	156 176 194 218	233 287 310 336	302 366 405 435	528 582 605 700	597 661 700 730	121 141 151 163	305 305 305 306	62 67 74 86	66 73 80 95
125	90 100 112 132	125 80	212 162	188	60	28	60	24 ⁵⁾	50 ⁵⁾	4)	205	225	150	103,5	18	23	215	180	250	4	274 201	122	110	200 250 250 300	176 194 218 257	287 310 336 445	366 405 435 553	642 665 691 800	721 760 790 908	141 151 163 194	375 375 375 375	106 113 125 161	112 119 134 173
140	90 100 112 132 160 ⁶⁾	140 80	212 162	188	70	28	60	24 ⁵⁾	50 ⁵⁾	4)	205	240	150	103,5	18	23	265	230	300	4	274 201	122	125	200 250 250 300 300	176 194 218 257 315	287 310 336 445 540	366 405 435 553 630	642 665 691 800 895	721 760 790 908 985	141 151 163 194 240	390 390 390 390 420	120 127 139 175 229	126 133 148 187 266
160	100 112 132 160 180	160 100	252 201	226	80	38	80	32 ⁵⁾	80 ⁵⁾	4)	247	280	180	128,5	22	28	265	230	300	4	328 249	155	136	250 250 300 350 350	194 218 257 315 360	310 336 445 540 590	405 435 553 630 725	737 763 872 980 1030	832 862 980 1070 1165	151 163 194 240 278	460 460 460 460 498	186 198 234 291 408	192 207 246 328 456
180	112 132 160 180 200 ⁶⁾	180 100	252 201	226	90	38	80	32 ⁵⁾	80 ⁵⁾	4)	247	300	180	128,5	22	28	300	250	350	5	328 249	155	150	250 300 350 350 350	218 257 315 360 400	336 445 540 590 685	435 553 630 725 795	763 872 980 1070 1125	862 980 1070 1165 1235	163 194 240 278 310	480 480 480 498 530	222 258 315 432 475	231 270 352 480 475
200	132 160 180 200 225	200 125	320 250	282	100	48	110	38 ⁵⁾	80 ⁵⁾	4)	305	355	225	158	27	34	350	300	400	5	410 307	190	167	300 350 350 400 450	257 315 360 460 460	445 540 590 650 680	553 630 725 760 -	975 1070 1120 1180 1220	1083 1160 1255 1290 -	194 240 278 310 330	580 580 580 590 610	365 422 539 582 629	377 459 587 582 -

1) Working length of thread 2 · F.

2) Values valid for brake motor.

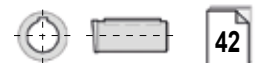
4) For dimension, number and angular position, see ch. 6.

5) For the combined units – gear red. 50 with mot. 71, gear red. 63 ... 81 with mot. 80, gear red. 100 with mot. 90, gear red. 125 with mot. 100, 112, gear red. 140 with mot. 100, 112, 132, gear red. 160 with mot. 132, gear red. 180 with mot. 132 ... 180, gear red. 200 with mot. 160, 180 – having $i_N = 31,5$ (and $i_N = 40$ for gear red. 50 with mot. 63, for gear red. 140 with mot. 112 and for gear red. 180 with mot. 132) see column $i_N \leq 25$.

6) Mounting position **B5R** (see ch. 1.2).

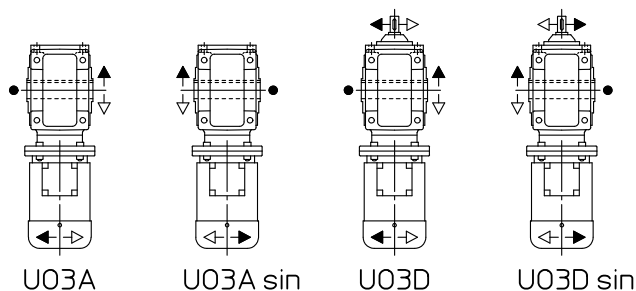
7) On request and with price addition, dimension $P_1 = 160$: consult us.

8) For combined units with i_N final = 31,5 see column $i_N \leq 25$.



Designs¹⁾ (direction of rotation)

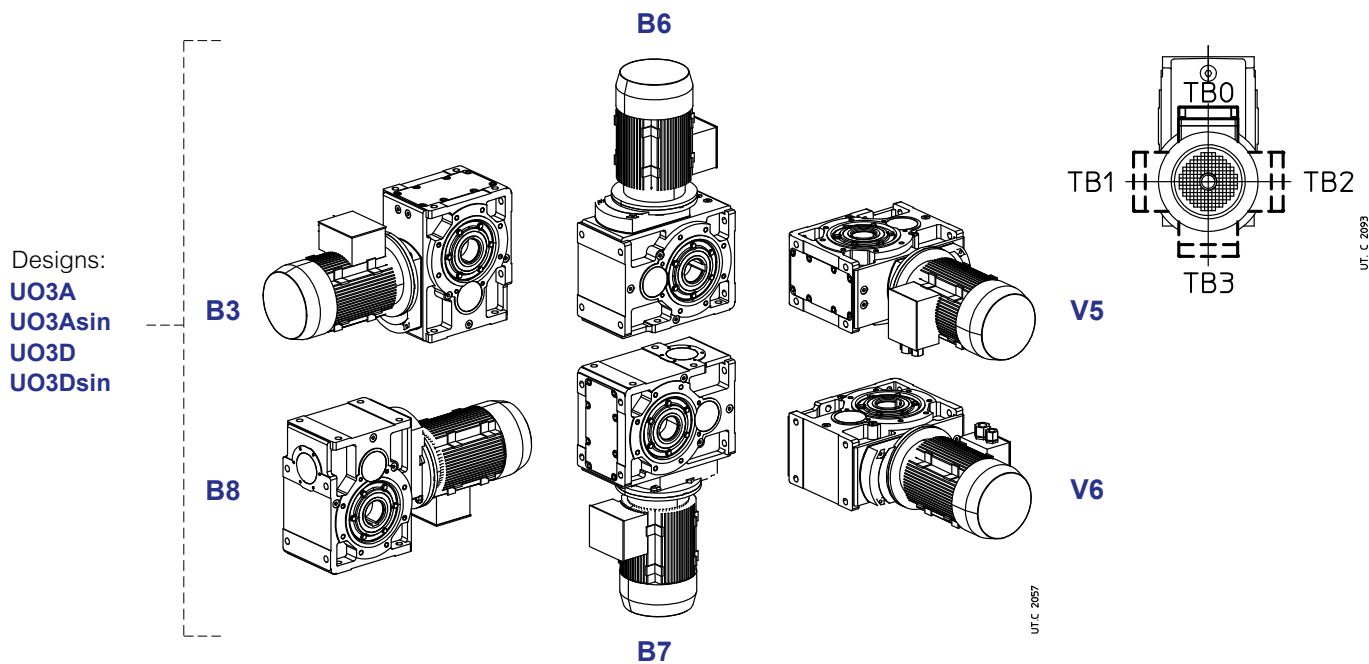
MR ICI 40 ... 200



Mounting positions

Unless otherwise stated, gear reducers are supplied in mounting position **B3** (see ch. 2).

MR ICI 40 ... 200



Oil quantity

MR ICI 40 ... 200

Lubricant quantities [l] stated are approximate for provisioning. The exact oil quantity the gear reducer is to be filled with is defined by the level plug.

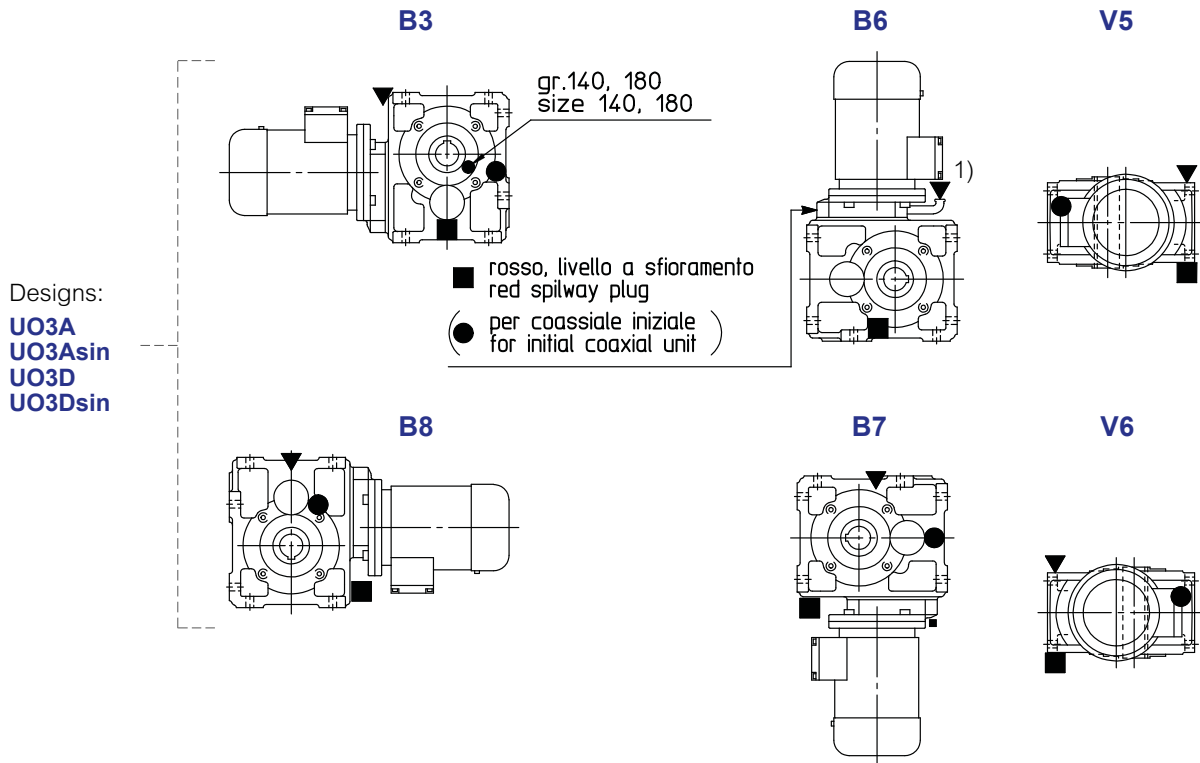
Mounting position	40	50	63, 64	80, 81	100	125	140	160	180	200
B3	0,31	0,45	1	1,6	3	6	6,8	10,6	11,9	20
B8	0,35	0,65	1,2	2,2	4,2	9	10,6	16	18,9	30
B7	0,31	0,45	1	1,6	3	6	6,8	10,6	11,9	20
B6	0,5	0,8	1,6	2,7	5,8	11,6	13,7	21	24,8	40
V5	0,3	0,5	1,15	2	3,8	7	8,3	13	15,3	24
V6	0,3	0,5	1,15	2	3,8	7	8,3	13	15,3	24

● Position of reference groove (see ch. 6) for radial load verification.

1) For motor design see ch. 2.

Lubrication details

MR ICI 100 ... 200



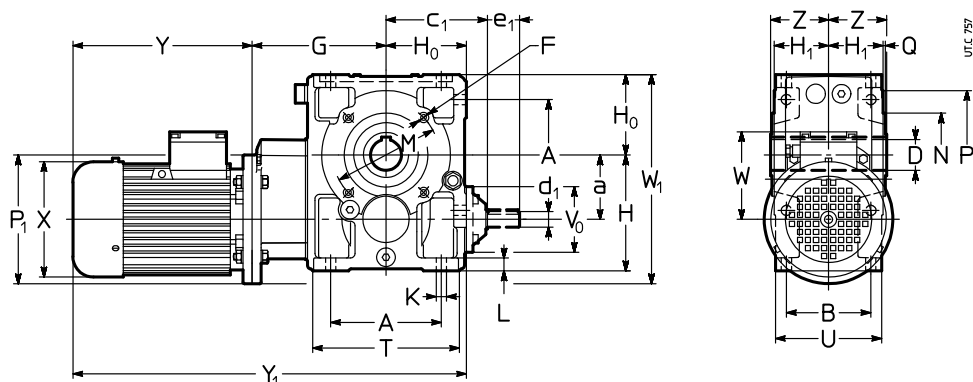
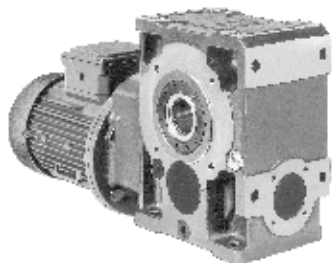
1) See also ch. 6 page 43.

- ▼ oil filler plug
- oil level plug
- oil drain plug
- ▼ oil filler plug on opposite side (not in view)
- oil level plug on opposite side (not in view)
- oil drain plug on opposite side (not in view)

14.3 - Gearmotors MR C3I

Dimensions

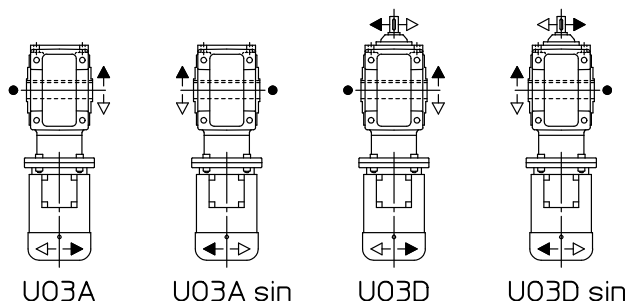
MR C3I 50 ... 125



Red.	Mot.	a	A	c ₁	D ∅ H7	d ₁ ∅	e ₁	d ₁ ∅	e ₁	F	G	H	H ₀	H ₁	K	L	M	N	P	Q	T	V ₀ ∅	Z	P ₁ ∅	X ∅ ≈	Y	Y ₁ ≈	W	W ₁ ≈	kg			
B5	B	i _N ≤ 125		i _N ≥ 160		1)										U		2)		2)		2)											
50	63 71	50	86 75	94	24	16 ³⁾	30 ³⁾	14	30	M6	117	100	67	49	9,5	12	85	70	105	2,5	120 95	78	53	140 160	123 138	189 216	244 278	373 400	428 462	95 112	187 197	17 19	19 22
63 64	71 80	63	102 90	108	30 (63) 32 (64)	16 ³⁾	30 ³⁾	14	30	M8	145	125	80	58,5	11,5	14	100	80	120	3	143 114	78	63	160 200	138 156	216 233	278 302	441 458	503 527	112 121	223 243	24 29	27 33
80 81	71 80	80	132 106	131	38 (80) 40 (81)	19 ³⁾	40 ³⁾	16	30	M10	165	150	100	69,5	14	17	130	110	160	3,5	180 135	86	75	160 200	138 156	216 233	278 302	481 498	543 567	112 121	260 280	36 41	39 45
100	80 90	100	172 131	157	48	24 ³⁾	50 ³⁾	19	40	M12	203	180	125	84,5	16	20	165	130	200	3,5	228 165	104	90	200 200	156 176	233 287	302 366	561 615	630 694	121 141	325 325	63 69	67 75
125	90 100 112	125	212 162	188	60	28 ³⁾	60 ³⁾	24	50	4)	249	225	150	103,5	18	23	215	180	250	4	274 201	122	110	200 250 250	176 194 218	287 310 336	366 405 435	686 709 735	765 804 834	141 151 163	375 400 400	109 113 126	115 120 135

Designs⁵⁾ (direction of rotation)

MR C3I 50 ... 125



● Position of reference groove (see ch. 6) for radial load verification.

1) Working length for thread 2 · F.

2) Values valid for brake motor.

3) For gearmotor size 50 with motor 71, sizes 63, 64 with motor 80, sizes 80, 81 with motor 80, size 100 with motor 90, size 125 with motors 100, 112 and with i_N = 125, see d₁ for i_N ≥ 160.

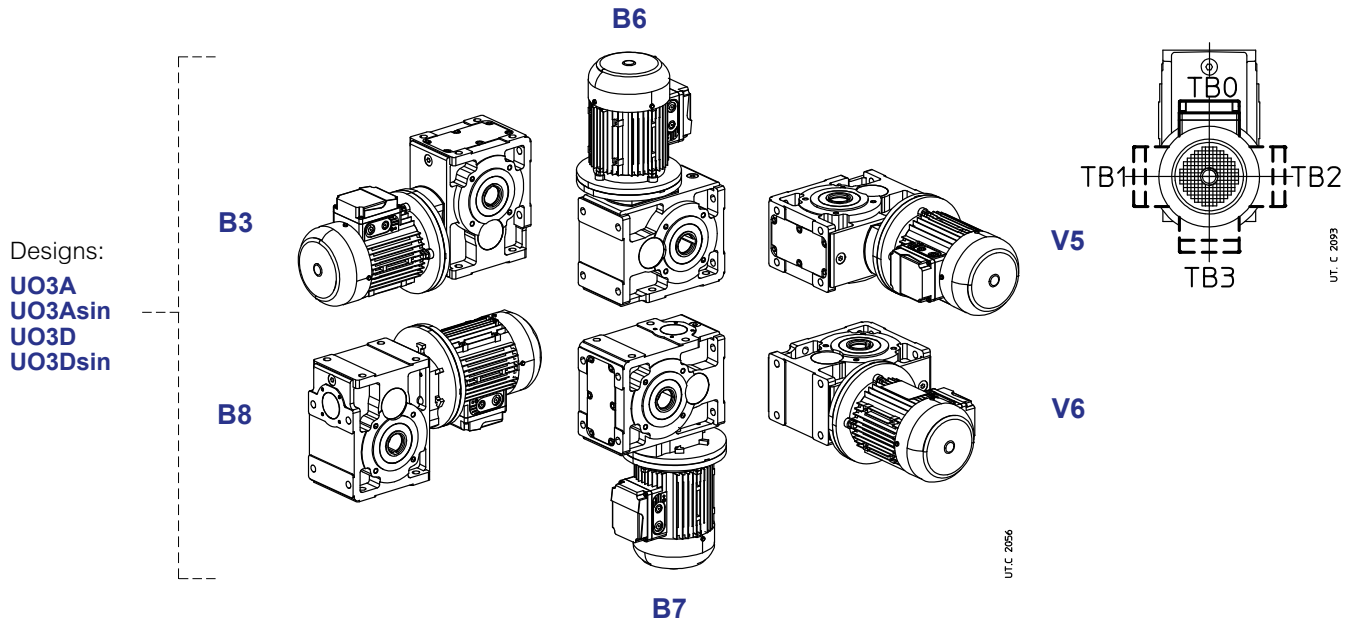
4) For dimension, number and angular position see ch. 6.

5) For motor design see ch. 2.

Mounting positions

Unless otherwise stated, gear reducers are supplied in mounting position **B3** (see ch. 2).

MR C3I 50 ... 125



Oil quantity

MR C3I 50 ... 125

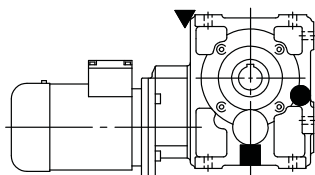
Lubricant quantities [l] stated are approximate for provisioning. The exact oil quantity the gear reducer is to be filled with is defined by the level plug.

Mounting position	50	63, 64	80, 81	100	125
B3	0,5	1,2	1,9	3,3	6,4
B8	0,7	1,4	2,5	4,5	9,5
B7	0,5	1,2	1,9	3,3	6,4
B6	0,9	1,8	3	6,3	12,8
V5	0,55	1,35	2,3	4,1	7,5
V6	0,55	1,35	2,3	4,1	7,5

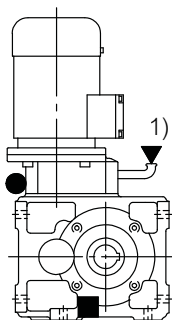
Lubrication details

MR C3I 100 ... 125

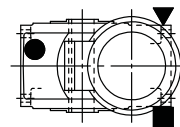
B3



B6



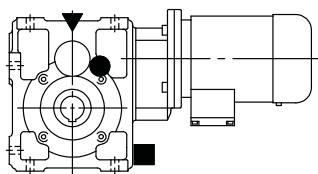
V5



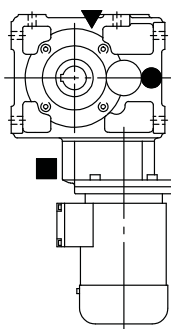
Designs:

UO3A
UO3Asin
UO3D
UO3Dsin

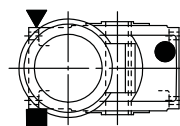
B8



B7



V6



UT.C 1061A

1) See also ch. 6 page 43.

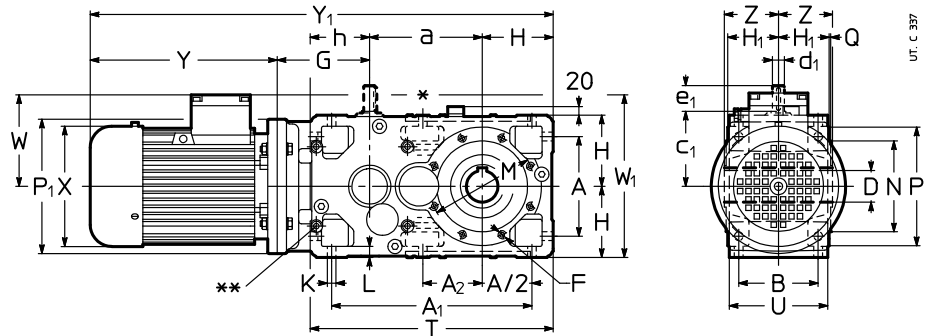
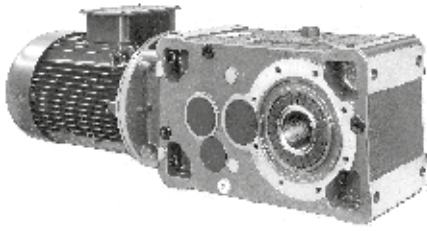
- ▼ oil filler plug
- oil level plug
- oil drain plug

- ▼ oil filler plug on opposite side (not in view)
- oil level plug on opposite side (not in view)
- oil drain plug on opposite side (not in view)

14.4 - Gearmotors MR C2I

Dimensions

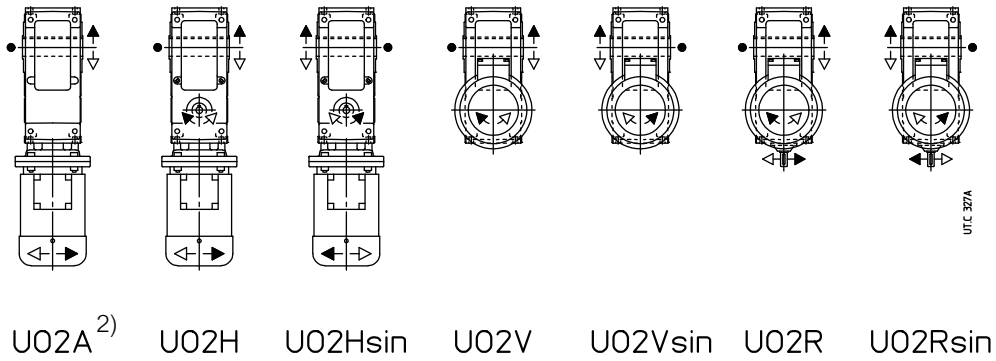
MR C2I 140 ... 360



Red.	Mot.	a	A	A ₁	A ₂	c ₁	D Ø H7	d ₁ Ø	e ₁	d ₁ Ø	e ₁	F	G	H	H ₁	h	K	L	M	N	P	T	Z	P ₁ Ø	X Ø	Y	Y ₁	W	W ₁	kg			
	B5	B						i _N ≤ 63		i _N ≥ 71	1)	4)		h11	h12	h11	Ø		Ø	Ø h6	Q	U		Ø	Ø	≈	≈	≈	≈	2)			
140	100 112 132 160 ³⁾	240	212 162	427	127	157	70	24	50	19	40	5)	170	150	103,5	125	18	23	265	230	300	515	125	250	194	310	405	870	965	151	301	143	149
													195						4		201		250	218	336	435	896	995	163	313	155	164	
																							300	257	445	553	1030	1138	194	344	191	203	
																							300	315	540	630	1125	1215	240	390	245	282	
160	100 112 132 160 180	285	252 201	507	150*	188	80	28	60	24	50	M16	205	180	128,5	150	22	28	265	230	300	615	136	250	194	310	405	980	1075	151	360	214	220
													220							4	249		250	218	336	435	1006	1105	163	360	226	235	
													250										300	257	445	553	1130	1238	194	374	262	274	
																							350	315	540	630	1255	1345	240	420	319	356	
																							350	360	590	725	1305	1440	278	458	436	484	
180	100 112 132 160 180 200 ³⁾	305	252 201	527	170	188	90	28	60	24	50	M16	205	180	128,5	150	22	28	300	250	350	635	150	250	194	310	405	1000	1095	151	360	232	238
													220							5	249		300	257	445	553	1150	1258	194	374	280	292	
													250										350	315	540	630	1275	1365	240	420	337	374	
																							350	360	590	725	1325	1460	278	458	454	502	
																							350	400	685	795	1420	1530	310	490	449	497	
200	132 160 180 200 225	360	320 250	635	198*	226	100	38	80	32	80	5)	252	225	158	180	27	34	350	300	400	765	167	300	257	445	553	1282	1390	194	450	401	413
													282							5	307		350	315	540	630	1407	1497	240	465	458	495	
													312										350	360	590	725	1457	1592	278	503	575	623	
																							400	400	650	760	1517	1627	310	535	570	618	
																							450	450	680	760	1577	1677	330	555	665	—	
225	132 160 180 200 225 250 ³⁾	385	320 250	660	223	226	110	38	80	32	80	M20	252	225	158	180	27	34	400	350	450	790	180	300	257	445	553	1307	1415	194	450	432	444
													282							5	307		350	315	540	630	1432	1522	240	465	489	526	
													312										350	360	590	725	1482	1617	278	503	606	654	
																							400	400	650	760	1542	1652	310	535	601	649	
																							450	450	680	760	1602	1692	330	555	696	—	
																							450	485	736	—	1658	1758	375	600	689	—	
250	160 180 200 225 250 280	450	396 310	791	247*	282	125	48	110	38	80	5)	325	280	195	225	33	42	500	450	550	955	206	350	315	540	630	1595	1685	240	560	700	737
																				5	380		350	360	590	725	1645	1780	278	500	817	865	
																							400	400	650	760	1705	1815	310	590	812	860	
													355										450	450	680	—	1765	—	330	610	907	—	
																							550	485	736	—	1821	—	375	655	1050	—	
																							550	550	928	—	2013	—	405	685	1259	—	
280	160 180 200 225 250 280 315 ³⁾	480	396 310	821	277	282	140	48	110	38	80	M24	325	280	195	225	33	42	500	450	550	985	222	350	315	540	630	1625	1715	240	560	754	791
																				5	380		350	360	590	725	1675	1810	278	500	871	919	
													355										400	400	650	760	1735	1845	310	590	866	914	
																							450	450	680	—	1795	—	330	610	961	—	
																							550	485	736	—	1851	—	375	655	1104	—	
																							550	550	928	—	2043	—	405	685	1313	—	
																							550	620	1015	—	2130	—	530	810	1606	—	
320 321	200 225 250 280 315	570	510 386	1005	318*	357 ⁶⁾ 380 ⁸⁾	160	55 ⁷⁾ 70 ⁸⁾	110 ⁷⁾ 140 ⁸⁾	48	110	5)	380	355	241	280	39	52	600	550	660	1205	254	400	400	650	760	1955	2065	310	710	1240	1288
													410							6	470		450	450	680	—	2015	—	330	710	1335	—	
																							550	485	736	—	2071	—	375	730	1478	—	
																							550	550	928	—	2263	—	405	760	1687	—	
																							660	620	1155	—	2520	—	530	885	2198	—	
360	200 225 250 280 315	610	510 386	1045	358	357 ⁶⁾ 380 ⁸⁾	180	55 ⁷⁾ 70 ⁸⁾	110 ⁷⁾ 140 ⁸⁾	48	110	M30	380	355	241	280	39	52	600	550	660	1245	273	400	400	650	760	1995	2105	310	710	1335	1383
													410							6	470		450	450	680	—	2055	—	330	710	1430	—	
																							550	485	736	—	2111	—	375	730	1573	—	
																							550	550	928	—	2303	—	405	760	1782	—	
																							660	620	1155	—	2560	—	530	885	2293	—	

Designs¹⁾ (direction of rotation)

MR C2I 140 ... 360



UTC 32/A

● Position of reference groove (see ch. 6) for radial load verification.
 1) For motor design see ch. 2.
 2) The housing of this design is not pre-arranged for other designs.

Dimensions, designs, mounting positions of bevel helical gearmotors 14

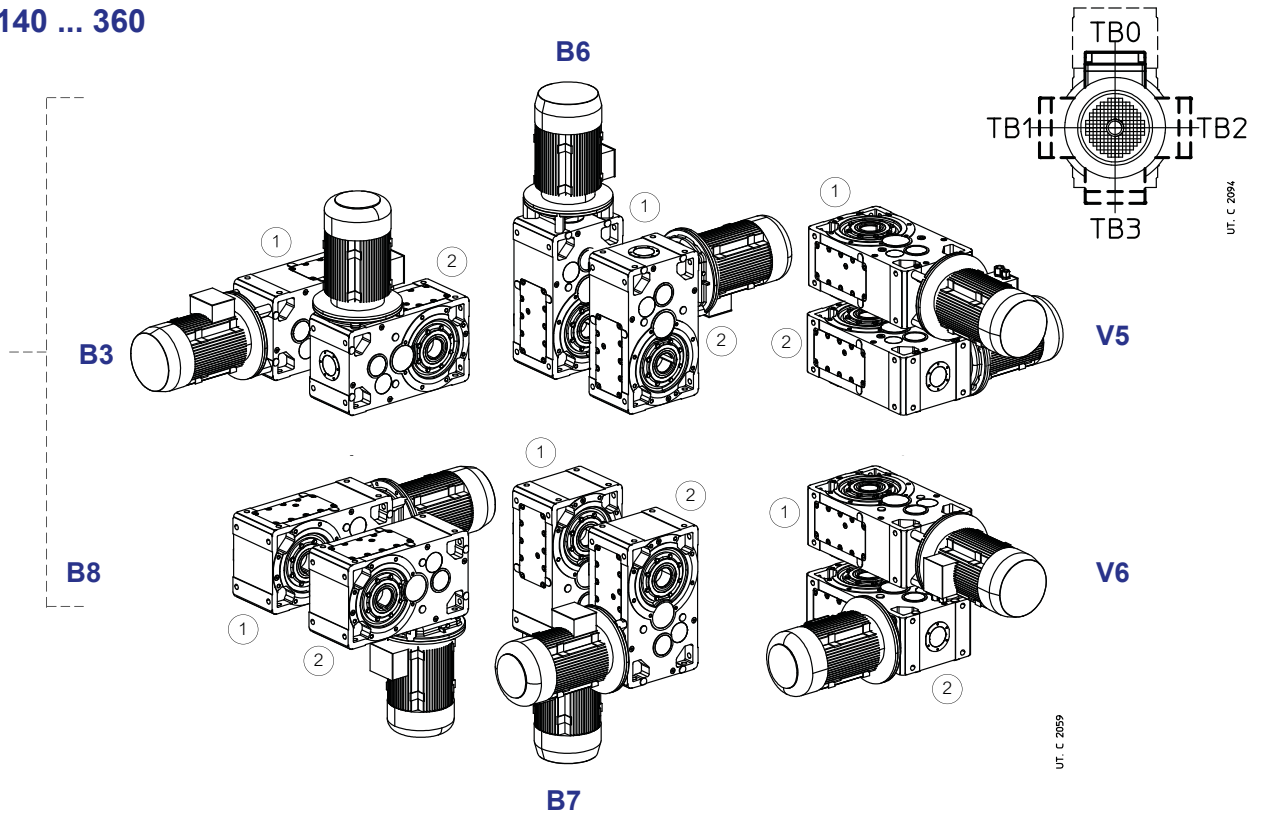
Mounting positions

Unless otherwise stated, gear reducers are supplied in mounting position **B3** (see ch. 2).

MR C2I 140 ... 360

Designs:

- ① UO2A
UO2H
UO2Hsin
- ② UO2V
UO2Vsin
UO2R
UO2Rsin



Oil quantity

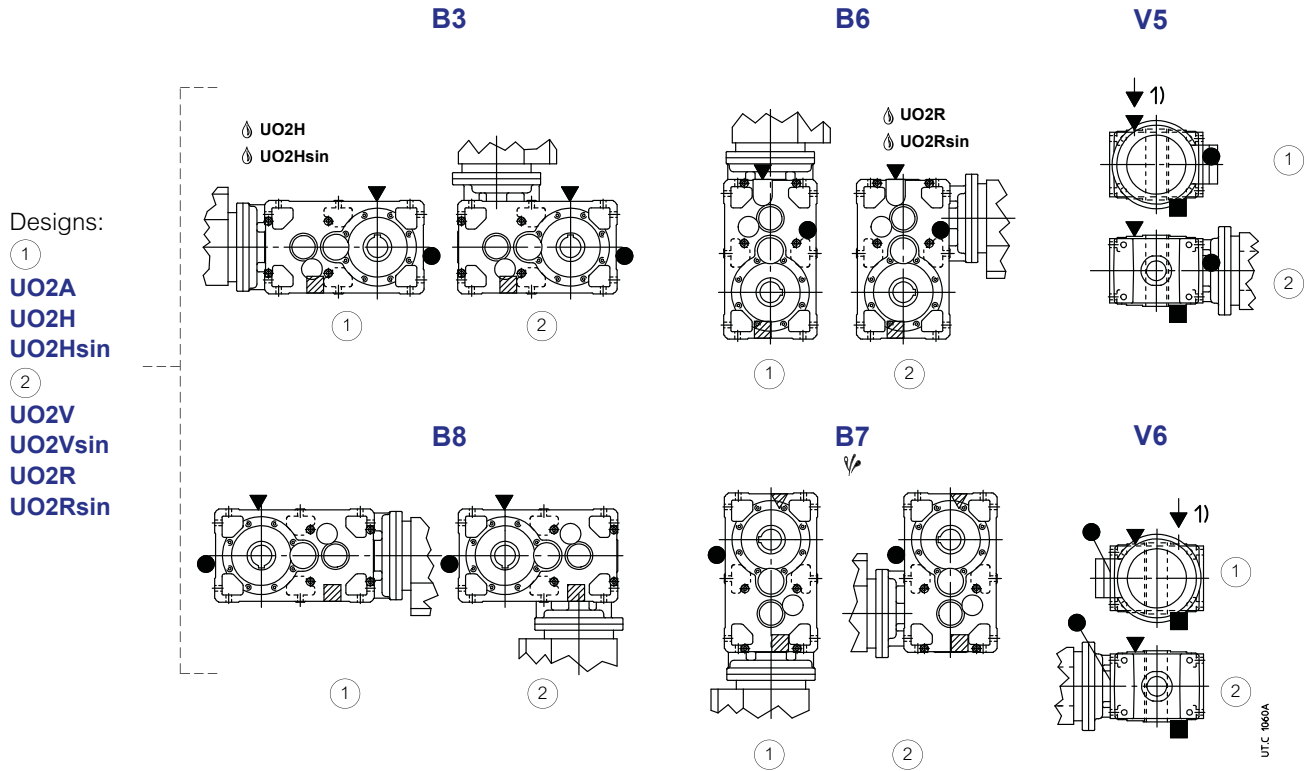
MR C2I 140 ... 360

Lubricant quantities [l] stated are approximate for provisioning. The exact oil quantity the gear reducer is to be filled with is defined by the level plug.

Mounting position	140	160	180	200	225	250	280	320, 321	360
B3	6,6	12	13	25	26	47	51	97	100
B8	6,6	12	13	25	26	47	51	97	100
B7	9,7	18	19	35	37	67	72	137	140
B6	10,8	20	21	39	41	75	80	152	156
V5	9,7	18	19	35	37	67	72	137	140
V6	9,7	18	19	35	37	67	72	137	140

Lubrication details

MR C2I 140 ... 360



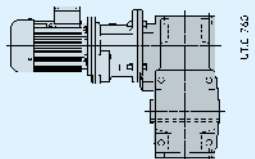
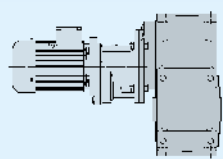
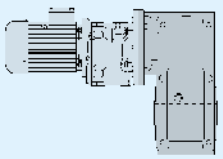
▼ Possible high oil splash: for the corrective factor f_3 of nominal thermal power P_{tN} see ch. 4.

● Possible bearing lubrication pump (see ch 17 (19)).

1) Position of intermediate hole for mounting position identification.

15 – Combined gear units

Final helical gear reducer

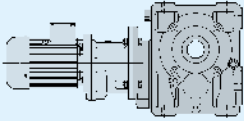
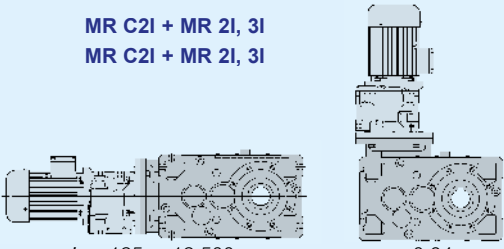
M_{N2} [N m] for $n_2 \leq 14 \text{ min}^{-1}$	MR 2I + R 2I, 3I MR 2I + MR 2I, 3I	MR 3I + R 2I, 3I MR 3I + MR 2I, 3I	MR 3I + R 2I, 3I MR 3I + MR 2I, 3I
	 $i_N \approx 80 \dots 2\,500$ $\eta_{\text{final}} = 0,96$	 $i_N \approx 160 \dots 8\,000$ $\eta_{\text{final}} = 0,94$	 $i_N \approx 125 \dots 12\,500$ $\eta_{\text{final}} = 0,94$
315	MR 2I 63 - 19x160 - 19,3 + R 2I or MR 2I, 3I 40 $i_{\text{final}} = 19,3$	MR 3I 63 - 14x140 - 48,9 + R 2I or MR 2I, 3I 32 $i_{\text{final}} = 48,9$	
400	MR 2I 64 - 19x160 - 20,1 + R 2I or MR 2I, 3I 40 $i_{\text{final}} = 20,1$	MR 3I 64 - 14x140 - 50,9 + R 2I or MR 2I, 3I 32 $i_{\text{final}} = 50,9$	
670	MR 2I 80 - 19x160 - 20,8 + R 2I or MR 2I, 3I 40 $i_{\text{final}} = 20,8$	MR 3I 80 - 19x160 - 52,9 + R 2I or MR 2I, 3I 40 $i_{\text{final}} = 52,9$	
780	MR 2I 81 - 19x160 - 20,8 + R 2I or MR 2I, 3I 40 $i_{\text{final}} = 20,8$	MR 3I 81 - 19x160 - 52,9 + R 2I or MR 2I, 3I 40 $i_{\text{final}} = 52,9$	
1 600	MR 2I 100 - 24x200 - 19,3 + R 2I, 3I or MR 2I, 3I 50 ²⁾ $i_{\text{final}} = 19,3$	MR 3I 100 - 24x200 - 49 + R 2I, 3I or MR 2I, 3I 50 ²⁾ $i_{\text{final}} = 49$	
3 150	MR 2I 125 - 28x250 - 19,3 + R 2I, 3I or MR 2I, 3I 63 ²⁾ $i_{\text{final}} = 19,3$	MR 3I 125 - 24x200 - 60,2 + R 2I, 3I or MR 2I, 3I 50 ²⁾ $i_{\text{final}} = 60,2$	
4 750			MR 3I 140 - 28x250 - 50,4 + R or MR 2I, 3I 63 ²⁾ $i_{\text{final}} = 50,4$
7 100			MR 3I 160 - 38x300 - 31,6 + R or MR 2I 80 ²⁾ MR 3I 160 - 28x250 - 107 + R or MR 2I, 3I 63 ²⁾ $i_{\text{final}} = 107$ for $n_2 \leq 2,8 \text{ min}^{-1}$
9 500			MR 3I 180 - 38x300 - 51 + R or MR 2I 80 ²⁾ MR 3I 180 - 28x250 - 108 + R or MR 2I, 3I 63 ²⁾ $i_{\text{final}} = 108$ for $n_2 \leq 2,8 \text{ min}^{-1}$
14 000			MR 3I 200 - 48x350 - 31,5 + R or MR 2I 100 ²⁾ MR 3I 200 - 38x300 - 100 + R or MR 2I, 3I 80 ²⁾ $i_{\text{final}} = 100$ for $n_2 \leq 2,8 \text{ min}^{-1}$
20 000			MR 3I 225 - 48x350 - 51,8 + R or MR 2I 100 ²⁾ MR 3I 225 - 38x300 - 98,5 + R or MR 2I, 3I 80 ²⁾ $i_{\text{final}} = 98,5$ for $n_2 \leq 2,8 \text{ min}^{-1}$
31 500			MR 3I 250 - 60x450 - 33,5 + R or MR 2I 125 ²⁾ MR 3I 250 - 48x350 - 98,5 + R or MR 2I, 3I 100 ²⁾ $i_{\text{final}} = 98,5$ for $n_2 \leq 2,8 \text{ min}^{-1}$
37 500			MR 3I 280 - 60x450 - 52,7 + R or MR 2I 125 ²⁾ MR 3I 280 - 48x350 - 100 + R or MR 2I, 3I 100 ²⁾ $i_{\text{final}} = 100$ for $n_2 \leq 2,8 \text{ min}^{-1}$
47 500			MR 3I 320 - 60x450 - 67,1 + R or MR 2I 125 ²⁾ MR 3I 320 - 60x450 - 105 + R or MR 2I, 3I 125 ²⁾ $i_{\text{final}} = 105$ for $n_2 \leq 2,8 \text{ min}^{-1}$
60 000			MR 3I 321 - 60x450 - 67,1 + R or MR 2I 125 ²⁾ MR 3I 321 - 60x450 - 105 + R or MR 2I, 3I 125 ²⁾ $i_{\text{final}} = 105$ for $n_2 \leq 2,8 \text{ min}^{-1}$
77 500			MR 3I 360 - 60x450 - 103 + R or MR 2I, 3I 125 ²⁾ $i_{\text{final}} = 103$

Initial gear reducer or gearmotor dimensions and performance: catalog E ch. 8, 9 and 10.

1) f_s required may be reduced by **1,06** for $n_2 = 2,8 + 0,7 \text{ min}^{-1}$, by **1,12** for $n_2 \leq 0,71 \text{ min}^{-1}$, provided that it is always $\geq 0,8$.

2) Initial gear reducer or gearmotor design «Oversized B5 flange»; size 63 has a low speed shaft reduced to 28 mm: «Oversized B5 flange - Ø 28».

Final bevel helical gear reducer

M_{N2} [N m] for $n_2 \leq 14 \text{ min}^{-1}$	<p>MR ICI + R 2I, 3I MR ICI + MR 2I, 3I</p>  <p>$i_N \approx 125 \dots 8\,000$ $\eta_{\text{final}} = 0,94$</p>	<p>MR C2I + MR 2I, 3I MR C2I + MR 2I, 3I</p>  <p>$i_N \approx 125 \dots 12\,500$ $\eta_{\text{final}} = 0,94$</p>
	315	MR ICI 63 - 19x160 - 32 + R or MR 2I, 3I 40 $i_{\text{final}} = 32$
400	MR ICI 64 - 19x160 - 32 + R or MR 2I, 3I 40 $i_{\text{final}} = 32$	
670	MR ICI 80 - 19x160 - 33,4 + R or MR 2I, 3I 40 $i_{\text{final}} = 33,4$	
780	MR ICI 81 - 19x160 - 33,4 + R or MR 2I, 3I 40 $i_{\text{final}} = 33,4$	
1 600	MR ICI 100 - 24x200 - 31,4 + R or MR 2I, 3I 50 ²⁾ $i_{\text{final}} = 31,4$	
3 150	MR ICI 125 - 28x250 - 32 + R or MR 2I, 3I 63 ²⁾ $i_{\text{final}} = 32$ MR ICI 125 - 24x200 - 62,5 + R or MR 2I, 3I 50 ²⁾ $i_{\text{final}} = 62,5$ for $M_{N2} \leq 2650 \text{ N m}$	
4 750	MR ICI 140 - 28x250 - 40 + R or MR 2I, 3I 63 ²⁾ $i_{\text{final}} = 40$ for $M_{N2} \leq 3750 \text{ N m}$	MR C2I 140 - 28x250 - 50,4 + R or MR 2I, 3I 63 ²⁾ $i_{\text{final}} = 50,4$
7 100	MR ICI 160 - 38x300 - 33,3 + R or MR 2I, 3I 80 ²⁾ $i_{\text{final}} = 33,3$ MR ICI 160 - 28x250 - 62,5 + R or MR 2I, 3I 63 ²⁾ $i_{\text{final}} = 62,5$ for $M_{N2} \leq 6000 \text{ N m}$	MR C2I 160 - 38x300 - 32,5 + R or MR 2I 80 ²⁾ $i_{\text{final}} = 32,5$ MR C2I 160 - 28x250 - 103 + R or MR 2I, 3I 63 ²⁾ $i_{\text{final}} = 103$ $n_2 \leq 2,8 \text{ min}^{-1}$
9 500	MR ICI 180 - 38x300 - 40,9 + R or MR 2I, 3I 80 ²⁾ $i_{\text{final}} = 40,9$ for $M_{N2} \leq 8500 \text{ N m}$	MR C2I 180 - 38x300 - 52,4 + R or MR 2I 80 ²⁾ $i_{\text{final}} = 52,4$ MR C2I 180 - 28x250 - 104 + R or MR 2I, 3I 63 ²⁾ $i_{\text{final}} = 104$ for $n_2 \leq 2,8 \text{ min}^{-1}$
14 000	MR ICI 200 - 48x350 - 33,3 + R or MR 2I, 3I 100 ²⁾ $i_{\text{final}} = 33,3$ MR ICI 200 - 38x300 - 62,5 + R or MR 2I, 3I 80 ²⁾ $i_{\text{final}} = 62,5$ for $M_{N2} \leq 11800 \text{ N m}$	MR C2I 200 - 48x350 - 32,3 + R or MR 2I 100 ²⁾ $i_{\text{final}} = 32,3$ MR C2I 200 - 38x300 - 102 + R or MR 2I, 3I 80 ²⁾ $i_{\text{final}} = 102$ for $n_2 \leq 2,8 \text{ min}^{-1}$
20 000		MR C2I 225 - 48x350 - 53,1 + R or MR 2I 100 ²⁾ $i_{\text{final}} = 53,1$ MR C2I 225 - 38x300 - 100 + R or MR 2I, 3I 80 ²⁾ $i_{\text{final}} = 100$ for $n_2 \leq 2,8 \text{ min}^{-1}$
31 500		MR C2I 250 - 60x450 - 33,9 + R or MR 2I 125 ²⁾ $i_{\text{final}} = 33,9$ MR C2I 250 - 48x350 - 98,5 + R or MR 2I, 3I 100 ²⁾ $i_{\text{final}} = 98,5$ for $n_2 \leq 2,8 \text{ min}^{-1}$
37 500		MR C2I 280 - 60x450 - 53,1 + R or MR 2I 125 ²⁾ $i_{\text{final}} = 53,1$ MR C2I 280 - 48x350 - 100 + R or MR 2I, 3I 100 ²⁾ $i_{\text{final}} = 100$ for $n_2 \leq 2,8 \text{ min}^{-1}$
47 500		MR C2I 320 - 60x450 - 65,1 + R or MR 2I 125 ²⁾ $i_{\text{final}} = 65,1$ MR C2I 320 - 60x450 - 103 + R or MR 2I, 3I 125 ²⁾ $i_{\text{final}} = 103$ for $n_2 \leq 2,8 \text{ min}^{-1}$
60 000		MR C2I 321 - 60x450 - 65,1 + R or MR 2I 125 ²⁾ $i_{\text{final}} = 65,1$ MR C2I 321 - 60x450 - 103 + R or MR 2I, 3I 125 ²⁾ $i_{\text{final}} = 103$ for $n_2 \leq 2,8 \text{ min}^{-1}$
77 500		MR C2I 360 - 60x450 - 102 + R or MR 2I, 3I 125 ²⁾ $i_{\text{final}} = 102$

Initial gear reducer or gearmotor dimensions and performance: catalog E ch. 8, 9 and 10.

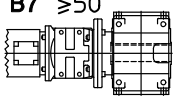
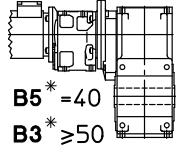
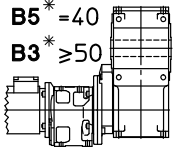
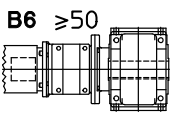
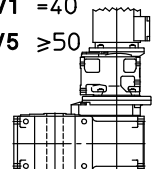
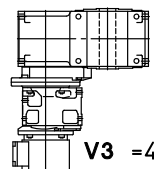
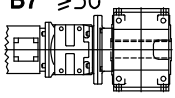
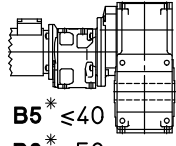
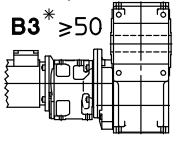
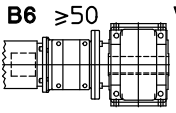
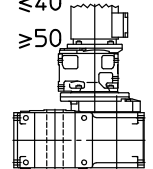
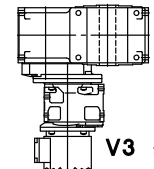
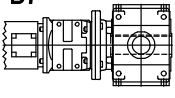
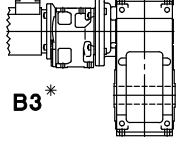
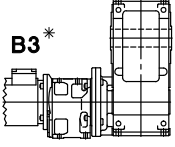
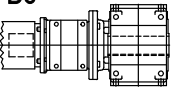
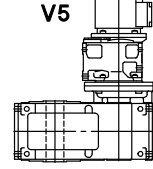
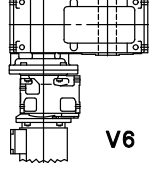
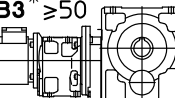
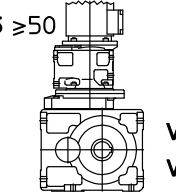
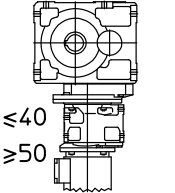
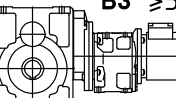
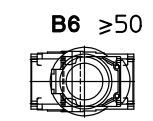
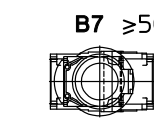
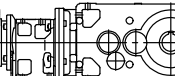
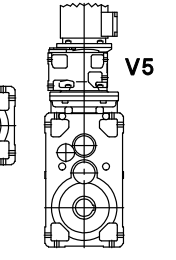
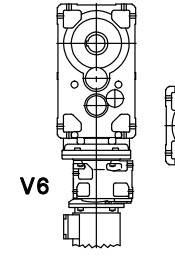
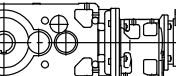
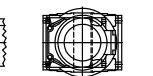

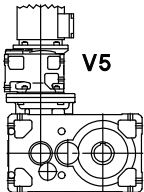
1) f_s required may be reduced by **1,06** for $n_2 = 2,8 + 0,7 \text{ min}^{-1}$, by **1,12** for $n_2 \leq 0,71 \text{ min}^{-1}$, provided that it is always $\geq 0,8$.

2) Initial gear reducer or gearmotor design «Oversized B5 flange»; size 63 has a low speed shaft reduced to 28 mm: «Oversized B5 flange - Ø 28».

Initial gear reducer or gearmotor mounting position

In order to make easier the individualization of the combined gearmotors mounting position refer to the following table where, according to the type, to the mounting position and to the final gear reducer, the mounting positions of the initial gear reducer or gearmotor are stated.

Initial gear reducer or gearmotor mounting position

	mounting position of final gear reducer					
	B3	B6	B7	B8	V5	V6
MR 21 63...125 + MR 21 63 ... 125 + R 21, 31 od.r MR 21, 31	B5* = 40 ¹⁾ B7 ≥ 50 		B5* = 40 B3* ≥ 50 	B5* = 40 ¹⁾ B6 ≥ 50 	V1 = 40 V5 ≥ 50 	 V3 = 40 V6 ≥ 50
MR 31 63...125 + MR 31 63 ... 125 + R 21, 31 od.r MR 21, 31	B5* ≤ 40 ¹⁾ B7 ≥ 50 		B5* ≤ 40 B3* ≥ 50 	B5* ≤ 40 ¹⁾ B6 ≥ 50 	V1 ≤ 40 V5 ≥ 50 	 V3 ≤ 40 V6 ≥ 50
MR 31 140...360 + MR 31 140 ... 360 + R 21, 31 od.r MR 21, 31	B7 		B3* 	B6 	V5 	 V6
MR 21 63...200 + MR 21 63 ... 200 + R 21, 31 od.r MR 21, 31	B5* ≤ 40 B3* ≥ 50 	V1 ≤ 40 V5 ≥ 50 		B5* ≤ 40 B3* ≥ 50 	B5* ≤ 40 ¹⁾ B6 ≥ 50 	B5* ≤ 40 ¹⁾ B7 ≥ 50 
MR C21 140...360 + MR C21 140 ... 360 + R 21, 31 od.r MR 21, 31	B3* 				V5 	 V6 

* This mounting position, being standard, must not be stated in the designation.

1) Grease quantity is the same foreseen for B3 mounting position in cat. E.
 On name plate there is a * in correspondence of mounting position.

16 – Radial loads

16.1 - Radial loads F_{r1} [N] on high speed shaft end

Radial loads generated on the shaft end by a drive connecting gear reducer and motor must be less than or equal to those given in the relevant table.

n_1 min ⁻¹	50		63, 64				80, 81			100				125, 140					
	2I	ICI	I	2I	3I	ICI	I	2I	3I	I	2I	3I	ICI	I	2I	3I	140	3I	125
1800	300	150	750	475	150	236	1180	750	375	1900	1180	600	375	3000	1900	1180	950	600	
1400	355	170	850	530	170	265	1320	850	425	2120	1320	670	425	3350	2120	1320	1060	670	
1120	355	180	900	560	180	280	1400	900	450	2240	1400	710	450	3550	2240	1400	1120	710	
900	375	190	950	600	190	300	1500	950	475	2360	1500	750	475	3750	2360	1500	1180	750	
710	425	212	1060	670	212	335	1700	1060	530	2650	1700	850	530	4250	2650	1700	1320	850	
560	450	224	1120	710	224	355	1800	1120	560	2800	1800	900	560	4500	2800	1800	1400	900	
450	475	236	1180	750	236	375	1900	1180	600	3000	1900	950	600	4750	3000	1900	1500	950	
355	530	265	1320	850	265	425	2120	1320	670	3350	2120	1060	670	5300	3350	2120	1700	1060	
F_{r1max}	530	265	1320	850	265	425	2120	1320	670	3350	2120	1060	670	5300	3350	2120	1700	1060	

n_1 min ⁻¹	160, 180				200, 225				250, 280			320 ... 360		
	I	2I	3I	ICI	I	2I	3I	ICI	I	2I	3I	I	2I	3I
		CI	C2I			CI	C2I			CI	C2I		CI	C2I
1800	4750	3000	1900	1500	7500	4750	3000	2360	11800	7500	4750	19000	11800	7500
1400	5300	3350	2120	1700	8500	5300	3350	2650	13200	8500	5300	21200	13200	8500
1120	5600	3550	2240	1800	9000	5600	3550	2800	14000	9000	5600	22400	14000	9000
900	6000	3750	2360	1900	9500	6000	3750	3000	15000	9500	6000	23600	15000	9500
710	6700	4250	2650	2120	10600	6700	4250	3350	17000	10600	6700	26500	17000	10600
560	7100	4500	2800	2240	11200	7100	4500	3550	18000	11200	7100	28000	18000	11200
450	7500	4750	3000	2360	11800	7500	4750	3750	19000	11800	7500	30000	19000	11800
355	8500	5300	3350	2650	13200	8500	5300	4250	21200	13200	8500	33500	21200	13200
F_{r1max}	8500	5300	3350	2650	13200	8500	5300	4250	21200	13200	8500	33500	21200	13200

The radial load F_{r1} given by the following formula refers to most common:

$$F_{r1} = \frac{28650 \cdot P_1}{d \cdot n_1} \text{ [N] for timing belt drive}$$

$$F_{r1} = \frac{47750 \cdot P_1}{d \cdot n_1} \text{ [N] for V-belt drive}$$

where:

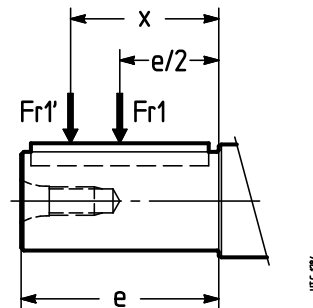
P_1 [kW] is the power required at the input side of gear reducer;

n_1 [min⁻¹] is the speed;

d [m] is the pitch diameter.

Radial loads given in the table are valid for overhung loads on centre line of high speed shaft end, i.e. operating at a distance of $0,5 \cdot e$ (e = shaft end length) from the shoulder. If radial loads are in a different position, i.e. at a distance differing from $0,5 \cdot e$ from shoulder, re-calculate the permissible value of radial load according to the following formula, trying not to exceed the maximum value F_{r1max} , stated in the table:

$$F_{r1}' = F_{r1} \cdot \frac{e/2 + y}{x + y} \text{ [N]}$$



where:

F_{r1}' [N] is the permissible radial load acting at the distance x from shaft shoulder;

F_{r1} [N] is the permissible radial load acting on centre line of high speed shaft end (see table above);

e [mm] is shaft end length (see ch. 8, 10);

y [mm] is given in the table;

x [mm] is the distance between the shaft shoulder and the load application point.

16.1 - Radial loads F_{r1} [N] on high speed shaft end

	y [mm]					
	R I	R 2I	R 3I	R CI	R ICI	R C2I
40	-	-	-	-	-	-
50	-	92	-	62 $i \leq 7,85$ 54 $i \geq 10,3$	44	-
63, 64	92	98	37,5	75 $i \leq 8$ 60 $i \geq 10$	52,5	-
80, 81	110	112	52,5	88 $i \leq 8,33$ 74 $i \geq 10,4$	52,5	-
100	142 $i \leq 3,27$ 136 $i \geq 3,92$	137	63	99 $i \leq 7,85$ 87 $i \geq 9,81$	63	-
125	170 $i \leq 3,62$ 167 $i \geq 4$	166	74	134 $i \leq 8$ 94 $i \geq 10$	74	-
140	166 $i \leq 4,08$ 173 $i \geq 4,5$	166	98	134 $i \leq 9$ 94 $i \geq 10,2$	74	99 $i \leq 32$ 87 $i \geq 37,5$
160	210	207	121	135 $i \leq 8,27$ 110 $i \geq 9,04$	87	134 $i \leq 33,1$ 94 $i \geq 37,5$
180	214	207	121	135 $i \leq 9,33$ 110 $i \geq 10,4$	87	134 $i \leq 33,2$ 94 $i \geq 37,3$
200	265	256	146	163 $i \leq 8,27$ 139 $i \geq 8,93$	102	135 $i \leq 34,2$ 110 $i \geq 35,3$
225	265	256	146	163 $i \leq 9,33$ 139 $i \geq 10,2$	-	135 $i \leq 33,7$ 110 $i \geq 36,2$
250	356 $i \leq 3,62$ 332 $i \geq 4$	317	182	200 $i \leq 10$ 174 $i \geq 11,4$	-	163 $i \leq 33,1$ 139 $i \geq 37,2$
280	356 $i \leq 4,08$ 332 $i \geq 4,5$	317	182	200 $i \leq 11,3$ 174 $i \geq 12,9$	-	163 $i \leq 33,7$ 139 $i \geq 37,5$
320, 321	417	390	222	256 $i \leq 6,27$ 250 $i \geq 7,83$	-	204 $i \leq 31,3$ 174 $i \geq 36,3$

It is always advisable to mount the pulley against the shaft shoulder and, in any case to avoid that the pulley exceeds the shaft end.

An **axial load** of up to 0,2 times the value in the table is permissible, simultaneously with the radial load.

In absence of the radial load, an axial load may be acting on center line, not higher than 0,5 times the stated radial load.

IMPORTANT: tabulated values for radial load F_{r1} can increase considerably in certain instances (direction of rotation, angular position of load, etc.). If necessary and/or in presence of **misaligned** axial loads, consult us.

16.1 - Radial loads F_{r1} [N] on high speed shaft end

V-belt drives

In the table the motor pulleys are given for the several power and motor polarity, together with radial loads present on motor and gear reducer motor shaft.

The drives have been calculated with a service factor $\geq 1,4$; in order to increase the service factor with same d value and number of belts, replace section SPA with SPB, section SPB with SPC, section SPC with 8V.

The radial loads have been calculated according to the formula $\frac{47\,750 \cdot P_1}{d \cdot n_1}$.

Radial load F_{r1} , relevant to the motor pulley selected, must be less than or equal to the one permitted by gear reducer.

IMPORTANT: for the good drive running and in order not to overload the motor and gear reducer bearings, reduce the overhang to a minimum and do not stress the belts excessively. The pulleys with $d \geq 400$ must be dynamically balanced.

Motor			Motor pulley: belt number and section, pitch diameter d [mm], radial load F_{r1} [N]											
P_1 kW	Size and pole n.		d	F_{r1} \approx	d	F_{r1} \approx	d	F_{r1} \approx	d	F_{r1} \approx	d	F_{r1} \approx	d	F_{r1} \approx
1,1	80B	2	2 Z	71	265	2 Z	80	236	2 Z	90	212	1 Z	100	190
	90S	4	2 A	90	425	2 A	100	375	2 A	112	335	1 A	125	300
	90L	6	2 A	90	670	2 A	100	600	2 A	112	530	2 A	125	475
1,5	90S	2	2 A	90	280	2 A	100	250	1 A	112	224	1 A	125	200
	90L	4	2 A	90	560	2 A	100	500	2 A	112	450	2 A	125	400
	100LA	6	3 A	90	900	3 A	100	800	2 A	112	710	2 A	125	630
2,2	90LA	2	2 A	90	425	2 A	100	375	2 A	112	335	2 A	125	300
	100LA	4	3 A	90	850	3 A	100	750	3 A	112	670	2 A	125	600
	112M	6	3 A	112	1060	3 A	125	950	3 A	140	850	2 A	160	750
3	100LA	2	3 A	90	560	3 A	100	500	2 A	112	450	2 A	125	400
	100LB	4	3 A	112	900	3 A	125	800	2 A	140	710	2 A	160	630
	132S	6	3 SPA	100	1600	3 SPA	112	1400	2 SPA	125	1250	2 SPA	140	1120
4	112M	2	3 A	100	670	3 A	112	600	2 A	125	530	2 A	140	475
	112M	4	3 A	125	1060	3 A	140	950	3 A	160	850	2 A	180	750
	132M	6	3 SPA	112	1900	3 SPA	125	1700	2 SPA	140	1500	2 SPA	160	1320
5,5	132S	2	3 SPA	100	950	3 SPA	112	850	2 SPA	125	750	2 SPA	140	670
	132S	4	3 SPA	112	1700	3 SPA	125	1500	2 SPA	140	1320	2 SPA	160	1180
	132MB	6	3 SPA	140	2120	3 SPA	160	1900	2 SPA	180	1700	2 SPA	200	1500
7,5 (9,2)	132SB (SC)	2	3 SPA	112	1120	3 SPA	125	1000	2 SPA	140	900	2 SPA	160	800
	132M (MB)	4	3 SPA	125¹⁾	2000	3 SPA	140	1800	2 SPA	160	1600	2 SPA	180	1400
	160M	6	3 SPA	160	2500	3 SPA	180	2240	3 SPA	200	2000	2 SPA	224	1800
11	160MR	2	3 SPA	125	1500	3 SPA	140	1320	2 SPA	160	1180	2 SPA	180	1060
	160M	4	3 SPA	160	2360	3 SPA	180	2120	3 SPA	200	1900	2 SPA	224	1700
	160L	6	3 SPA	200	3000	3 SPA	224	2650	3 SPA	250	2360	2 SPA	280	2120
15	160M	2	3 SPA	140	1800	3 SPA	160	1600	3 SPA	180	1400	2 SPA	200	1250
	160L	4	3 SPA	180	2800	3 SPA	200	2500	3 SPA	224	2240	2 SPA	250	2000
	180L	6	4 SPA	200	4000	4 SPA	224	3550	4 SPA	250	3150	3 SPA	280	2800
18,5	160L	2	3 SPA	160	2000	3 SPA	180	1800	3 SPA	200	1600	3 SPA	224	1400
	180M	4	4 SPA	180	3550	4 SPA	200	3150	4 SPA	224	2800	3 SPA	250	2500
	200LR	6	4 SPB	200	5000	4 SPB	224	4500	3 SPB	250	4000	3 SPB	280	3550
22	180L	4	4 SPA	200	3750	4 SPA	224	3550	4 SPA	250	3000	3 SPA	280	2650
	200L	6	4 SPB	224	5300	4 SPB	250	4750	3 SPB	280	4250	3 SPB	315	3750
30	200L	4	4 SPB	224	4500	4 SPB	250	4000	3 SPB	280	3550	3 SPB	315	3150
	225M	6	5 SPB	250	6300	5 SPB	280	5600	4 SPB	315	5000	4 SPB	355	4500
37	225S	4	5 SPB	224	5600	5 SPB	250	5000	4 SPB	280	4500	4 SPB	315	4000
	250M	6	6 SPB	250	8000	6 SPB	280	7100	5 SPB	315	6300	5 SPB	355	5600
45	225M	4	5 SPB	250	6000	5 SPB	280	5300	4 SPB	315	4750	4 SPB	355	4250
55	250M	4	6 SPB	250	7500	6 SPB	280	6700	5 SPB	315	6000	5 SPB	355	5300
75	280S	4	6 SPB	280	9000	5 SPB	315	8000	5 SPB	355	7100	5 SPB	400	6400
90	280M	4	6 SPB	315	9000	5 SPC	315	9000	5 SPC	355	8000	4 SPC	400	7100
110	315S	4	6 SPC	315	11000	5 SPC	355	10000	4 SPC	400	8800	-	-	-
132	315M	4	6 SPC	355	12000	5 SPC	400	10600	4 SPC	450	10600	-	-	-
160	315MC	4	6 SPC	400	13000	6 SPC	450	11500	5 8V	450	11500	-	-	-

1) Not valid for power 9,2 kW: $d \geq 140$ mm.

Note: Pulley band width: **1 Z** 16, **2 Z** 28, **1A** 20, **2 A-2 SPA** 35, **3 A-3 SPA** 50, **4 SPA** 65, **3 SPB** 63, **4 SPB** 82, **5 SPB** 101, **6 SPB** 120, **4 SPC** 110, **5 SPC** 136, **6 SPC** 162, **5 8V** 152.

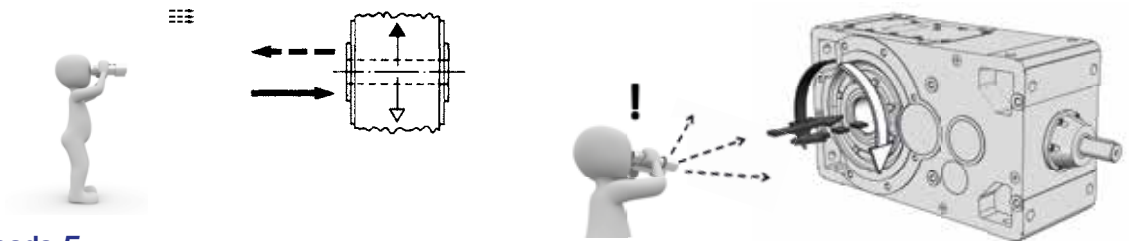
16.2 - Axial loads F_{a2} [N] or radial loads F_{r2} [N] on low speed shaft end

Axial loads F_{a2}

Permissible F_{a2} is shown in the column where direction of rotation of low speed shaft (black or white arrow) and direction of the axial force (solid or broken arrow) correspond to those of the gear reducer in question. Direction of rotation and direction of force may be established viewing the gear reducer from any point (from groove side or from opposite side to groove, indifferently), providing the same point is adopted for rotation and axial load (see fig. below).

Notes:

- White and black arrows of present chapter do not refer to the ones stating the correspondence of direction of rotation for the different designs (see ch. 8, 10, 12, 14);
- Wherever possible, choose the load conditions corresponding to the column with the highest admissible values.
- The values stated in the table are valid for the center line axial load; in the event of a misaligned axial load, consult us.



Radial loads F_{r2}

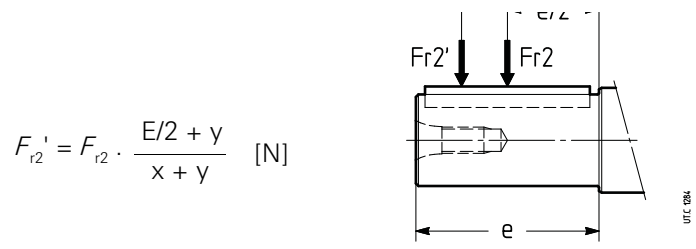
Radial loads generated on the shaft end by a drive connecting gear reducer and machine must be less than or equal to those given in the following pages.

Normally, radial loads on low speed shaft ends are considerable: in fact there is a tendency to connect the gear reducer to the machine by means of a transmission with high transmission ratio (economizing on the gear reducer) and with small diameters (economizing on the drive, and for requirements dictated by overall dimensions).

Bearing life and wear (which also affect gears unfavourably) and low speed shaft strength, clearly impose limits on permissible radial load.

The permissible radial loads stated in the tables are according to: low speed shaft end where the radial load is applied according to reference groove (see ch. 6) of the product of angular speed n_2 [min^{-1}] multiplied by the bearing life required L_h [h], of direction of rotation, of angular position φ [$^\circ$] of load and of torque required M_2 [N m].

The radial loads given in the tables are valid for loads on shaft center line of low speed shaft, i.e. at a distance from shoulder of $0,5 \cdot E$ (E = shaft end length); in the event of radial load acting in a different position (not center line), i.e. at a distance from shoulder different from $0,5 \cdot E$, re-calculate the permissible value of radial load according to the following formula, verifying simultaneously not to exceed the maximum value F_{r2max} given in the tables.



$$F_{r2}' = F_{r2} \cdot \frac{E/2 + y}{x + y} \quad [\text{N}]$$

where:

- F_{r2}' [N] is the permissible radial load acting at distance x from the shoulder;
- F_{r2} [N] is the permissible radial load acting on center line of high speed shaft end (see table on following pages);
- E [mm] is the shaft end length (see ch. 17);
- y [mm] is given in the table;
- x [mm] is the distance of load application starting from shaft shoulder.

	40	50	63, 64	80	81	100	125	140	160	180	200	225 1)	250	280 1)	320, 321	360 1)
y	86	88	95	111	116	134	166	189	205	228	258	287 (279)	318	351 (344)	398	432 (424)
E	30	36	58	58	58	82	97	105	130	130	165	165	200	200	240	240

1) Values in brackets are valid for solid low speed shaft (see ch. 17(2)).

16.2 - Axial loads F_{a2} [N] or radial loads F_{r2} [N] on low speed shaft end

Chain drives

This drive is usually advised for low tip speeds ($v \leq 0,5$ m/s with periodical lubrication, $v \leq 1,5$ m/s with drop lubrication) and for this reason it is usually placed between gear reducer and machine. Compared with gear transmissions it offers the advantage of a high flexibility, allowing larger misalignments and higher distances among the shaft to be connected.

On the other hand, it is less suitable with alternate shock operations, in particular with high tip speed (shocks, noise, clearance worsening) and requires a specific maintenance as it is subjected to wear and periodic clearance taking up. For the correct belt drive dimensioning refer to specific manufacturer's literature; as a rough guide, we can assume:

$$p \approx 0,5 \cdot D$$

$$d = p \cdot z / \pi$$

where:

p chain pitch

D diameter of gear reducer shaft end

d pinion pitch diameter

z pinion number of teeth

Keep in mind that the number of pinion teeth z , except some particular cases, should be at least **17** (the numbers of teeth classically adopted are: 17, 19, 21, 23) and that the smaller the pitch, the quieter the chain;

As a rough guide, for a rapid evaluation of the radial load generated on the low speed shaft end of gear reducer by a chain drive, see the table including:

- the **pitch diameter** values d of pinion and the **maximum transmissible power**, for two pinion speeds, according to pitch p and teeth number z
- the **maximum pinion width** b_{max} , the **mass** and the **maximum breaking load** R_R of chain, according to the pitch and to the chain (simple, double or triple).

No. teeth z	Pitch p																													
	1/2" (12,7)		5/8" (15,875)				3/4" (19,05)				1" (25,4)				1 1/4" (31,75)				1 1/2" (38,1)				1 3/4" (44,45)				2" (50,8)			
	d mm	P_{max} kW	d mm	P_{max} kW	d mm	P_{max} kW	d mm	P_{max} kW	d mm	P_{max} kW	d mm	P_{max} kW	d mm	P_{max} kW	d mm	P_{max} kW	d mm	P_{max} kW	d mm	P_{max} kW	d mm	P_{max} kW	d mm	P_{max} kW	d mm	P_{max} kW				
15	60,7	0,27	0,91	75,8	0,4	0,7	91	0,6	1,2	121,3	1,8	3,4	151,7	3,2	6	182	5,1	9,5	212,3	8	15	242,7	12	21	21					
16	64,7	0,29	1	80,9	0,4	0,8	97,1	0,7	1,4	129,4	1,9	3,5	161,8	3,4	6,3	194,1	5,5	10	226,5	8,5	16	258,9	12	23	23					
17	68,8	0,32	1,05	85,9	0,5	0,8	103,1	0,8	1,5	137,5	2	3,7	171,9	3,6	6,8	206,3	5,8	11	240,7	9,1	17	275	13	24	24					
18	72,8	0,34	1,12	91	0,5	0,9	109,2	0,8	1,5	145,6	2,2	4	182	3,8	7,2	218,4	6,2	12	254,8	9,6	18	291,2	14	26	26					
19	76,8	0,36	1,18	96,1	0,5	0,9	115,3	0,9	1,6	153,7	2,3	4,2	192,1	4,1	7,6	230,5	6,6	12	269	10	19	307,4	15	28	28					
20	80,9	0,37	1,26	101,1	0,6	0,9	121,3	0,9	1,7	161,8	2,4	4,4	202,2	4,3	8	242,7	6,9	13	283,1	11	20	323,6	16	29	29					
21	84,9	0,38	1,33	106,2	0,6	1	127,4	1	1,8	169,9	2,5	4,7	212,3	4,6	8,5	254,8	7,3	14	297,3	11	21	339,7	17	36	36					
22	89	0,4	1,41	111,2	0,6	1	133,5	1	1,9	178	2,7	4,9	222,5	4,8	8,9	266,9	7,7	14	311,4	12	22	355,9	17	32	32					
23	93	0,41	1,5	116,3	0,6	1,1	139,5	1,1	2	186,1	2,8	5,2	232,6	5	9,3	279,1	8,1	15	325,6	13	24	372,1	18	34	34					
24	97,1	0,43	1,58	121,3	0,6	1,1	145,6	1,1	2,1	194,1	2,9	5,4	242,7	5,3	9,8	291,2	8,5	16	339,7	13	25	388,3	19	35	35					
25	101,1	0,45	1,65	126,4	0,7	1,1	151,7	1,2	2,2	202,2	3,1	5,7	252,8	5,5	10	303,3	8,8	17	353,9	14	26	404,5	20	37	37					
26	105,2	0,47	1,71	131,4	0,73	1,14	157,7	1,25	2,29	210,3	3,18	5,8	262,9	5,65	10,3	315,5	9,1	17,8	368,1	14,5	27	420,6	20,6	38,5	38,5					
27	109,2	0,49	1,78	136,5	0,76	1,19	163,8	1,30	2,38	218,4	3,25	5,9	273	5,75	10,6	327,6	9,6	18,5	382,2	15,5	28	436,8	21,2	39,2	39,2					
28	113,2	0,51	1,9	141,6	0,8	1,3	169,9	1,4	2,6	226,5	3,3	6	283,1	5,9	11	339,7	10	19	396,4	16	29	453	22	42	42					
29	117,3	0,53	1,97	146,6	0,83	1,35	175,9	1,45	2,7	234,6	3,4	6,21	293,2	6,1	11,6	351,9	10,6	19,6	410,5	16,6	29,6	469,2	23	43,5	43,5					
30	121,3	0,55	2	151,7	0,9	1,4	182	1,5	2,8	242,7	3,5	6,5	303,3	6,3	12	364	11	20	424,7	17	31	485,4	24	45	45					

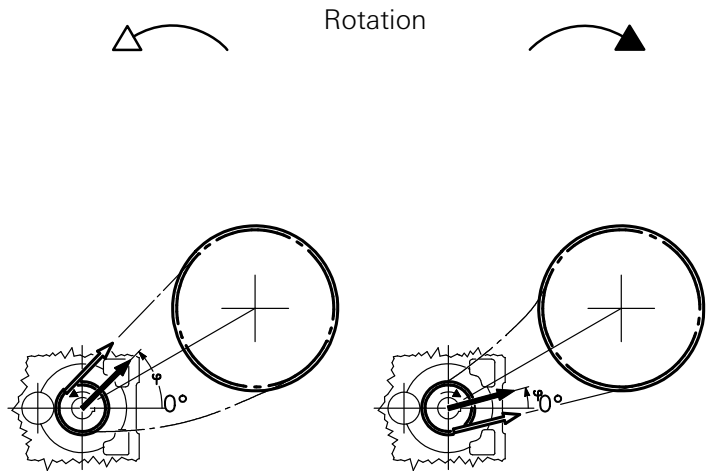
Pitch p	Chain type								
	simple			double					
inch (mm)	b_{max} mm	mass kg/m	R_R N	b_{max} mm	mass kg/m	R_R N	b_{max} mm	mass kg/m	R_R N
1/2" (12,7)	24	0,4	14 100	39	1,4	28 200	53	2	42 300
5/8" (15,875)	27	0,9	22 200	44	1,7	44 400	61	2,5	66 600
3/4" (19,05)	30	1,2	31 800	52	2,4	63 600	71	3,7	95 400
1" (25,4)	46	2,7	56 700	79	5,2	113 400	111	8	170 100
1 1/4" (31,75)	50	3,6	88 500	91	7,2	177 000	128	11	265 500
1 1/2" (38,1)	65	6,7	127 000	115	13,5	254 000	164	21	381 000
1 3/4" (44,45)	78	8,3	172 400	140	17	344 800	200	25	517 200
2" (50,8)	78	10,5	226 800	141	21	453 600	200	32	680 400

16.2 - Axial loads F_{a2} [N] or radial loads F_{r2} [N] on low speed shaft end

Radial load F_{r2} for most common drives has the following value and angular position:

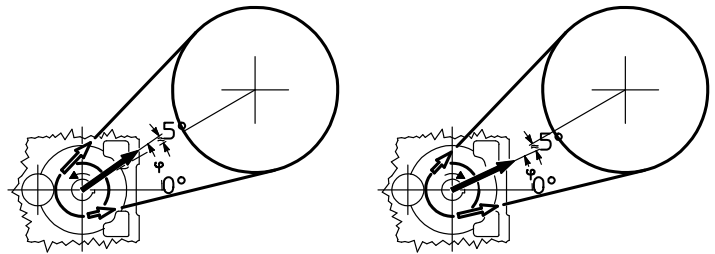
$$F_{r2} = \frac{19\,100 \cdot P_2}{d \cdot n_2} \text{ [N]}$$

for chain drive (lifting in general); for timing belt drive replace 19100 with 28650



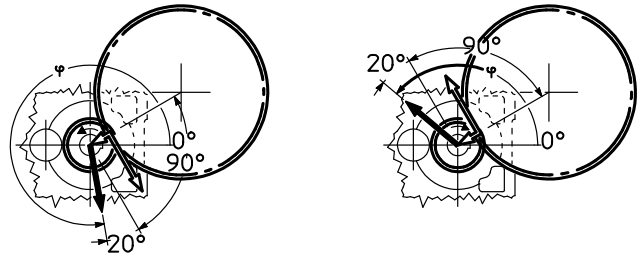
$$F_{r2} = \frac{47\,750 \cdot P_2}{d \cdot n_2} \text{ [N]}$$

for V-belt drive



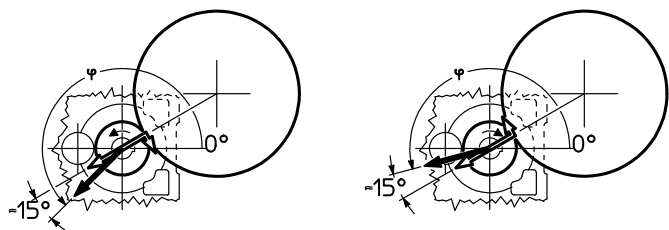
$$F_{r2} = \frac{20\,320 \cdot P_2}{d \cdot n_2} \text{ [N]}$$

for spur gear pair drive



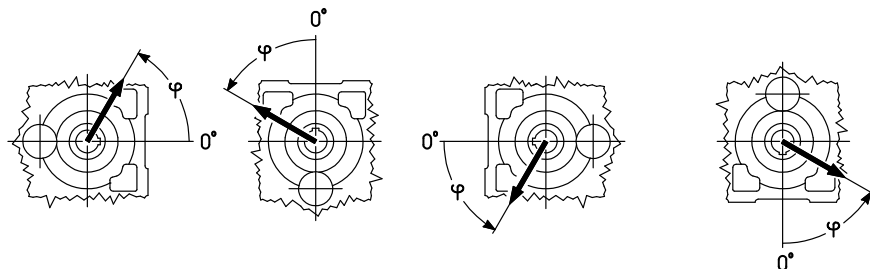
$$F_{r2} = \frac{67\,810 \cdot P_2}{d \cdot n_2} \text{ [N]}$$

for friction wheel drive (rubber-on-metal)



where: P_2 [kW] is power required at the output side of the gear reducer, n_2 [min^{-1}] is the speed, d [m] is the pitch diameter.

IMPORTANT: 0° coincides with a straight line concurrent with the axis of the last reduction and orientated as shown above, and therefore it follows the rotation of the housing, as shown below.



UT.C. 314

UT.C. 914

16.2 - Axial loads F_{a2} [N] or radial loads F_{r2} [N] on low speed shaft end

Radial load applied on **opposite side to groove**

Size 40

$n_2 \cdot L_h$		$F_{r2}^{1)2)}$														$F_{a2}^{1)}$			
min ⁻¹ ·h	N m	0	45	90	135	180	225	270	315	0	45	90	135	180	225	270	315		
355 000	80	2240	2240	2240	2240	2240	2240	2240	2240	2240	2240	2240	2240	2240	2240	2240	2240	800	1600
	56	2240	2240	2240	2240	2240	2240	2240	2240	2240	2240	2240	2240	2240	2240	2240	2240	800	1600
	40	2240	2240	2240	2240	2240	2240	2240	2240	2240	2240	2240	2240	2240	2240	2240	2240	800	1600
450 000	80	2240	2240	2240	2240	2240	2240	2240	2240	2240	2120	2240	2240	2240	2240	2240	2240	800	1600
	56	2240	2240	2240	2240	2240	2240	2240	2240	2240	2240	2240	2240	2240	2240	2240	2240	800	1600
	40	2240	2240	2240	2240	2240	2240	2240	2240	2240	2240	2240	2240	2240	2240	2240	2240	800	1600
560 000	80	2240	2240	2240	2240	2240	2120	2120	2240	2120	2000	2120	2240	2240	2240	2240	2240	800	1600
	56	2240	2240	2240	2240	2240	2240	2240	2240	2240	2120	2240	2240	2240	2240	2240	2240	800	1600
	40	2240	2240	2240	2240	2240	2240	2240	2240	2240	2240	2240	2240	2240	2240	2240	2240	800	1600
710 000	80	2240	2240	2240	2240	2240	2000	1900	2000	1900	1800	1900	2240	2240	2240	2240	2240	710	1500
	56	2240	2240	2240	2240	2240	2000	2000	2120	2000	1900	2000	2240	2240	2240	2240	2240	800	1600
	40	2240	2240	2240	2240	2240	2120	2120	2240	2120	2000	2120	2240	2240	2240	2240	2240	800	1600
900 000	80	2120	2240	2000	1900	2000	1800	1700	1900	1700	1600	1700	2000	2240	2240	2240	2120	530	1320
	56	2120	2240	2240	2240	2000	1900	1900	2000	1800	1700	1800	2120	2240	2240	2240	2120	800	1400
	40	2120	2240	2240	2240	2120	2000	1900	2000	1900	1900	1900	2120	2240	2240	2240	2120	800	1500
1 120 000	80	2000	2240	1500	1400	1900	1600	1600	1700	1600	1400	1500	1900	2240	2000	1900	1900	400	1180
	56	2000	2240	2240	2120	1900	1700	1700	1800	1700	1600	1700	1900	2240	2240	2240	2000	710	1250
	40	2000	2120	2120	2120	1900	1800	1800	1900	1800	1700	1800	2000	2120	2240	2120	2000	800	1320
1 400 000	56	1900	2120	2120	2000	1800	1600	1600	1700	1600	1500	1500	1800	2120	2240	2120	1800	560	1180
	40	1900	2000	2000	1900	1800	1700	1600	1700	1600	1600	1600	1800	2000	2120	2000	1800	800	1180
	28	1900	2000	2000	1900	1800	1700	1700	1800	1700	1600	1700	1800	2000	2000	2000	1800	800	1320
1 800 000	56	1700	1900	2000	1800	1600	1400	1400	1500	1400	1320	1400	1600	1900	2120	1900	1700	480	1000
	40	1700	1900	1900	1800	1600	1500	1500	1600	1500	1400	1500	1700	1900	2000	1900	1700	670	1120
	28	1700	1800	1800	1800	1700	1600	1600	1600	1600	1500	1500	1700	1800	1900	1800	1700	800	1120
2 240 000	56	1600	1800	1600	1500	1500	1320	1320	1400	1320	1180	1250	1500	1800	1900	1800	1500	360	900
	40	1600	1700	1800	1700	1500	1400	1400	1500	1400	1320	1400	1500	1700	1800	1800	1600	560	950
	28	1600	1700	1700	1600	1500	1500	1400	1500	1400	1400	1400	1600	1700	1800	1700	1600	710	1060
2 800 000	40	1500	1600	1700	1600	1400	1320	1250	1320	1250	1180	1250	1400	1600	1700	1600	1400	500	850
	28	1500	1600	1600	1500	1400	1320	1320	1400	1320	1250	1320	1400	1600	1700	1600	1500	630	900
max 2 240																		max 80	max 160

Size 50

355 000	160	3000	3150	3150	3150	3150	3150	2800	2500	3150	3150	2800	3000	3150	3150	3150	3150	2240	1120
	112	3150	3150	3150	3150	3150	3150	3150	3000	3150	3150	3150	3150	3150	3150	3150	3150	2240	1120
	80	3150	3150	3150	3150	3150	3150	3150	3150	3150	3150	3150	3150	3150	3150	3150	3150	2240	1120
450 000	160	2650	3150	3150	3150	3150	3150	2500	2400	3150	2800	2500	2800	3150	3150	3150	3150	2240	900
	112	3000	3150	3150	3150	3150	3150	2800	2650	3150	3000	2800	3000	3150	3150	3150	3150	2240	1120
	80	3150	3150	3150	3150	3150	3150	3000	3000	3150	3150	3000	3150	3150	3150	3150	3150	2240	1120
560 000	160	2360	3150	3150	3150	3150	3000	2240	2000	3150	2500	2240	2500	3150	3150	3150	3150	2000	710
	112	2650	3150	3150	3150	3150	3150	2500	2360	3150	2800	2650	2800	3150	3150	3150	3150	2120	1120
	80	2800	3150	3150	3150	3150	3150	2800	2650	3150	3000	2800	3000	3150	3150	3150	3150	2240	1120
710 000	160	2000	3000	3150	3150	3150	2650	1900	1700	3000	2240	2000	2240	2800	2800	3000	3150	1800	500
	112	2360	3000	3150	3150	3150	2800	2240	2120	3000	2500	2360	2500	3000	3150	3150	3150	1900	1000
	80	2650	3000	3150	3150	3150	3000	2500	2360	3000	2650	2500	2650	3000	3150	3150	3150	2000	1120
900 000	160	1800	2650	3000	3150	3150	2360	1700	1500	2650	2000	1800	2000	2650	2000	2240	3150	1600	335
	112	2120	2800	3150	3150	3150	2650	2000	1900	2800	2360	2120	2240	2650	3150	3150	3150	1700	800
	80	2360	2800	3150	3150	3150	2650	2240	2240	2800	2500	2360	2500	2800	3150	3150	3150	1800	1120
1 120 000	160	1600	2360	2360	2650	3150	2120	1400	1250	2500	1800	1600	1800	2120	1320	1500	3150	1500	180
	112	1900	2500	3150	3150	3000	2360	1900	1800	2650	2120	1900	2120	2500	3150	3150	3150	1700	630
	80	2120	2650	3150	3150	3000	2500	2120	2000	2650	2240	2120	2240	2500	3000	3150	3000	1600	950
1 400 000	112	1800	2360	3150	3150	3000	2120	1700	1500	2360	1900	1700	1900	2360	2800	3000	3000	1400	500
	80	2000	2500	3000	3150	2800	2240	1900	1800	2360	2120	1900	2000	2360	2800	3000	2800	1500	800
	56	2120	2500	2800	3000	2650	2360	2120	2000	2500	2240	2120	2240	2360	2650	2800	2650	1500	1120
1 800 000	112	1600	2120	2800	3150	2800	1900	1500	1320	2120	1700	1500	1700	2120	2240	2500	2800	1250	355
	80	1800	2240	2800	3000	2650	2120	1700	1600	2240	1900	1700	1800	2120	2650	2800	2650	1320	670
	56	1900	2240	2650	2800	2500	2120	1900	1800	2240	2000	1900	2000	2240	2500	2650	2500	1320	900
2 240 000	112	1400	2000	2360	2650	2500	1800	1250	1180	2000	1500	1400	1500	1900	1800	1900	2650	1120	236
	80	1600	2120	2650	2800	2500	1900	1500	1400	2120	1700	1600	1700	2000	2360	2650	2500	1180	530
	56	1800	2120	2500	2500	2360	2000	1700	1600	2120	1800	1700	1800	2000	2360	2500	2360	1250	800
2 800 000	80	1500	2000	2500	2650	2360	1800	1400	1320	2000	1600	1500	1600	1900	2240	2500	2360	1060	450
	56	1700	2000	2360	2500	2240	1900	1600	1500	2000	1700	1600	1700	1900	2240	2360	2240	1120	710
max 3 150																		max 2 240	max 1 120

1) An axial load of up to 0,2 times the value in the table is permissible, simultaneously with the radial load. If exceeded consult us.
 2) For radial loads acting simultaneously on both sides consult us.

16.2 - Axial loads F_{a2} [N] or radial loads F_{r2} [N] on low speed shaft end

Radial load applied on **groove side** •

Size **40**

$n_2 \cdot L_h$		$F_{r2}^{1)2)}$														$F_{a2}^{1)}$			
min ⁻¹ ·h	N m	0	45	90	135	180	225	270	315	0	45	90	135	180	225	270	315		
355 000	80	1900	2240	2240	2240	2240	2120	1500	1400	2240	1700	1600	1900	2240	2240	2240	2240	800	1600
	56	2240	2240	2240	2240	2240	2240	1900	1900	2240	2120	2000	2240	2240	2240	2240	2240	800	1600
	40	2240	2240	2240	2240	2240	2240	2240	2240	2240	2240	2240	2240	2240	2240	2240	2240	800	1600
450 000	80	1600	2240	2240	2240	2240	1900	1320	1250	2120	1500	1400	1700	2240	2240	2240	2240	800	1600
	56	2000	2240	2240	2240	2240	2240	1700	1700	2240	1900	1800	2000	2240	2240	2240	2240	800	1600
	40	2240	2240	2240	2240	2240	2240	2000	2000	2240	2120	2000	2240	2240	2240	2240	2240	800	1600
560 000	80	1400	2240	2240	2240	2240	1600	1060	1060	1900	1250	1180	1500	2240	2240	2240	2240	800	1600
	56	1800	2240	2240	2240	2240	2000	1500	1500	2120	1700	1600	1900	2240	2240	2240	2240	800	1600
	40	2000	2240	2240	2240	2240	2240	1800	1800	2240	1900	1800	2120	2240	2240	2240	2240	800	1600
710 000	80	1180	2240	2240	2240	2240	1400	900	850	1600	1060	1000	1320	2120	2240	2240	2240	710	1500
	56	1600	2240	2240	2240	2240	1800	1320	1320	1900	1500	1400	1700	2240	2240	2240	2240	800	1600
	40	1900	2240	2240	2240	2240	2000	1600	1600	2120	1700	1700	1900	2240	2240	2240	2240	800	1600
900 000	80	950	2000	2240	2240	2240	1180	710	670	1400	900	800	1060	1900	2240	2240	2240	530	1320
	56	1400	2120	2240	2240	2240	1600	1180	1120	1700	1320	1180	1500	2120	2240	2240	2240	800	1400
	40	1700	2240	2240	2240	2240	1800	1400	1400	1900	1500	1500	1700	2120	2240	2240	2240	800	1500
1 120 000	80	750	1800	2240	2240	2240	950	530	500	1250	750	670	900	1800	2240	2240	2240	400	1180
	56	1250	2000	2240	2240	2240	1400	1000	950	1600	1120	1060	1320	1900	2240	2240	2240	710	1250
	40	1500	2000	2240	2240	2240	1600	1320	1250	1700	1400	1320	1500	2000	2240	2240	2240	800	1320
1 400 000	56	1120	1800	2240	2240	2120	1250	850	800	1400	1000	900	1180	1800	2240	2240	2240	560	1180
	40	1400	1900	2240	2240	2120	1500	1180	1120	1600	1250	1180	1400	1900	2240	2240	2120	800	1180
	28	1500	1900	2240	1320	2000	1600	1400	1320	1700	1400	1400	1500	1900	2240	2240	2000	800	1320
1 800 000	56	900	1700	2240	2240	1900	1060	710	670	1250	850	750	1000	1600	2240	2240	2000	480	1000
	40	1180	1700	2240	2240	1900	1320	1000	950	1400	1120	1060	1250	1700	2240	2240	2000	670	1120
	28	1400	1800	2120	2240	1900	1500	1180	1180	1500	1320	1250	1400	1700	2000	2120	1900	800	1120
2 240 000	56	750	1500	2240	2240	1800	900	560	530	1120	710	630	850	1500	2240	2240	1900	360	900
	40	1060	1600	2240	2240	1800	1180	850	850	1250	950	900	1120	1600	2120	2240	1800	560	950
	28	1250	1600	2000	2120	1800	1320	1120	1060	1400	1180	1120	1250	1600	1900	2000	1800	710	1060
2 800 000	40	950	1500	2120	2120	1700	1060	800	710	1180	850	800	1000	1400	2000	2120	1700	500	850
	28	1120	1500	1900	2000	1600	1250	1000	950	1320	1060	1000	1120	1500	1800	1900	1700	630	900
	max 2 240																		max 800

Size **50**

355 000	160	2240	3150	3150	3150	3150	2800	1900	1700	3150	2240	2000	2500	3150	3150	3150	3150	2240	1120
	112	2800	3150	3150	3150	3150	3150	2500	2360	3150	2800	2650	3000	3150	3150	3150	3150	2240	1120
	80	3150	3150	3150	3150	3150	3150	3000	2800	3150	3150	3000	3150	3150	3150	3150	3150	2240	1120
450 000	160	1900	3150	3150	3150	3150	2360	1600	1500	2800	1900	1800	2120	3150	3150	3150	3150	2240	1060
	112	2500	3150	3150	3150	3150	3000	2240	2120	3150	2500	2360	2650	3150	3150	3150	3150	2240	1120
	80	3000	3150	3150	3150	3150	3150	2650	2500	3150	2800	2650	3000	3150	3150	3150	3150	2240	1120
560 000	160	1600	3000	3150	3150	3150	2120	1320	1180	2500	1700	1500	1900	3000	3150	3150	3150	2120	850
	112	2240	3150	3150	3150	3150	2650	2000	1800	3000	2240	2000	2360	3150	3150	3150	3150	2240	1120
	80	2650	3150	3150	3150	3150	3000	2360	2240	3000	2500	2360	2650	3150	3150	3150	3150	2240	1120
710 000	160	1320	2800	3150	3150	3150	1800	1000	950	2240	1400	1250	1600	2650	3150	3150	3150	1900	670
	112	2000	3000	3150	3150	3150	2360	1700	1600	2650	2000	1800	2120	3000	3150	3150	3150	2000	1120
	80	2360	3150	3150	3150	3150	2650	2120	2000	2800	2240	2120	2500	3000	3150	3150	3150	2000	1120
900 000	160	1060	2360	3150	3150	3150	1400	800	710	1900	1120	1000	1320	2360	3150	3150	3150	1700	450
	112	1700	2800	3150	3150	3150	2120	1500	1320	2360	1700	1600	1900	2650	3150	3150	3150	1800	900
	80	2120	3000	3150	3150	3150	2360	1900	1800	2650	2120	1900	2240	2800	3150	3150	3150	1800	1120
1 120 000	160	710	2000	3150	3150	3000	1060	500	450	1700	950	800	1060	2120	3150	3150	3150	1600	315
	112	1500	2500	3150	3150	3150	1900	1250	1180	2120	1500	1400	1700	2500	3150	3150	3150	1600	750
	80	1900	2650	3150	3150	3000	2240	1700	1600	2360	1900	1700	2000	2650	3150	3150	3150	1700	1060
1 400 000	112	1320	2240	3150	3150	3000	1600	1060	950	1900	1320	1180	1500	2240	3150	3150	3000	1500	600
	80	1700	2500	3150	3150	2800	2000	1500	1400	2120	1700	1500	1800	2360	3150	3150	3000	1500	900
	56	2000	2500	3000	3150	2800	2240	1800	1800	2240	2000	1900	2000	2500	3000	3000	2800	1600	1120
1 800 000	112	1060	2000	3150	3150	2650	1400	800	750	1700	1120	950	1250	2000	3150	3150	2800	1320	450
	80	1500	2240	3150	3150	2650	1800	1250	1180	1900	1500	1320	1600	2240	3000	3150	2650	1400	710
	56	1800	2360	2800	3000	2500	2000	1600	1500	2120	1700	1600	1800	2240	2800	3000	2650	1400	950
2 240 000	112	850	1800	3150	3150	2500	1120	670	600	1500	900	800	1060	1800	3000	3150	2650	1250	335
	80	1320	2120	3000	3150	2500	1600	1120	1060	1800	1320	1180	1400	2000	2800	3000	2500	1250	600
	56	1600	2120	2650	2800	2360	1800	1400	1400	1900	1600	1500	1700	2120	2650	2800	2500	1250	800
2 800 000	80	1180	2000	3000	3000	2360	1400	1000	85	1600	1120	1060	1250	1900	2650	2800	2500	1120	500
	56	1500	2000	2500	2650	2240	1700	1320	1250	1800	1500	1320	1500	2000	2500	2650	2360	1180	710
	max 3 150																		max 2 240

1) An axial load of up to 0,2 times the value in the table is permissible, simultaneously with the radial load. If exceeded consult us.
 2) For radial loads acting simultaneously on both sides consult us.

16.2 - Axial loads F_{a2} [N] or radial loads F_{r2} [N] on low speed shaft end

Radial load applied on **opposite side to groove**

Sizes **63, 64**

$n_2 \cdot L_h$		$F_{r2}^{(1)(2)}$														$F_{a2}^{(1)}$				
min ⁻¹ ·h	N m	0	45	90	135	180	225	270	315	0	45	90	135	180	225	270	315			
1 120 000	315	5000	5000	5000	5000	5000	5000	5000	5000	5000	5000	5000	5000	5000	5000	5000	5000	5000	1800	3550
	224	5000	5000	5000	5000	5000	5000	5000	5000	5000	5000	5000	5000	5000	5000	5000	5000	5000	1800	3550
	160	5000	5000	5000	5000	5000	5000	5000	5000	5000	5000	5000	5000	5000	5000	5000	5000	5000	1800	3550
	112	5000	5000	5000	5000	5000	5000	5000	5000	5000	5000	5000	5000	5000	5000	5000	5000	5000	1800	3550
1 400 000	224	5000	5000	5000	5000	5000	5000	5000	5000	5000	5000	5000	5000	5000	5000	5000	5000	5000	1800	3550
	160	5000	5000	5000	5000	5000	5000	5000	5000	5000	5000	5000	5000	5000	5000	5000	5000	5000	1800	3550
	112	5000	5000	5000	5000	5000	5000	5000	5000	5000	5000	5000	5000	5000	5000	5000	5000	5000	1800	3550
1 800 000	224	5000	5000	5000	5000	5000	5000	5000	5000	5000	5000	5000	5000	5000	5000	5000	5000	5000	1800	3550
	160	5000	5000	5000	5000	5000	5000	5000	5000	5000	5000	5000	5000	5000	5000	5000	5000	5000	1800	3550
	112	5000	5000	5000	5000	5000	5000	5000	5000	5000	5000	5000	5000	5000	5000	5000	5000	5000	1800	3550
2 240 000	224	5000	5000	5000	5000	5000	5000	5000	5000	4750	4500	5000	5000	5000	5000	5000	5000	5000	1800	3350
	160	5000	5000	5000	5000	5000	5000	5000	5000	5000	5000	5000	5000	5000	5000	5000	5000	5000	1800	3350
	112	5000	5000	5000	5000	5000	5000	5000	5000	5000	5000	5000	5000	5000	5000	5000	5000	5000	1800	3350
2 800 000	160	5000	5000	5000	5000	5000	4750	4750	5000	4750	4500	4750	5000	5000	5000	5000	5000	5000	1800	3150
	112	5000	5000	5000	5000	5000	5000	5000	5000	5000	4750	5000	5000	5000	5000	5000	5000	5000	1800	3150
3 550 000	160	5000	5000	5000	5000	4750	4500	4500	4750	4250	4250	4250	5000	5000	5000	5000	4750	4750	1800	3000
	112	5000	5000	5000	5000	4750	4500	4500	4750	4500	4500	4500	5000	5000	5000	5000	5000	5000	1800	3000
4 500 000	160	4750	5000	5000	4750	4500	4000	4000	4250	4000	3750	4000	4500	5000	5000	5000	4500	4500	1800	2800
	112	4750	5000	5000	4750	4500	4250	4250	4500	4250	4000	4250	4500	5000	5000	5000	4500	4500	1800	2800
5 600 000	160	4500	4750	4750	4500	4000	3750	3750	4000	3750	3500	3750	4250	4750	5000	4750	4250	4250	1600	2650
	112	4500	4750	4750	4500	4250	4000	4000	4000	3750	3750	4000	4250	4750	4750	4750	4250	4250	1800	2650
7 100 000	160	4000	4500	4250	4000	3750	3550	3550	3750	3350	3150	3350	4000	4500	4750	4500	3750	3750	1400	2360
	112	4000	4250	4250	4250	3750	3750	3550	3750	3550	3550	3550	4000	4250	4500	4250	4000	4000	1800	2360

max **5 000**

max **1 800**

max **3 550**

Sizes **80, 81**

355 000	630	8000	8000	8000	8000	8000	8000	8000	8000	8000	8000	8000	8000	8000	8000	8000	8000	8000	5600	2800
	450	8000	8000	8000	8000	8000	8000	8000	8000	8000	8000	8000	8000	8000	8000	8000	8000	8000	5600	2800
	315	8000	8000	8000	8000	8000	8000	8000	8000	8000	8000	8000	8000	8000	8000	8000	8000	8000	5600	2800
450 000	630	8000	8000	8000	8000	8000	8000	8000	8000	8000	8000	8000	8000	8000	8000	8000	8000	8000	5600	2800
	450	8000	8000	8000	8000	8000	8000	8000	8000	8000	8000	8000	8000	8000	8000	8000	8000	8000	5600	2800
	315	8000	8000	8000	8000	8000	8000	8000	8000	8000	8000	8000	8000	8000	8000	8000	8000	8000	5600	2800
560 000	630	8000	8000	8000	8000	8000	8000	8000	7500	8000	8000	8000	8000	8000	8000	8000	8000	8000	5600	2800
	450	8000	8000	8000	8000	8000	8000	8000	8000	8000	8000	8000	8000	8000	8000	8000	8000	8000	5600	2800
	315	8000	8000	8000	8000	8000	8000	8000	8000	8000	8000	8000	8000	8000	8000	8000	8000	8000	5600	2800
710 000	630	7500	8000	8000	8000	8000	8000	7500	7100	8000	8000	7500	7500	8000	8000	8000	8000	8000	5600	2800
	450	8000	8000	8000	8000	8000	8000	8000	7500	8000	8000	8000	8000	8000	8000	8000	8000	8000	5600	2800
	315	8000	8000	8000	8000	8000	8000	8000	8000	8000	8000	8000	8000	8000	8000	8000	8000	8000	5600	2800
900 000	630	6700	8000	8000	8000	8000	8000	6700	6300	8000	7500	7100	7100	7100	7500	8000	8000	8000	5300	2650
	450	7500	8000	8000	8000	8000	8000	7500	7100	8000	8000	7500	7500	8000	8000	8000	8000	8000	5600	2800
	315	7500	8000	8000	8000	8000	8000	8000	7500	8000	8000	8000	8000	8000	8000	8000	8000	8000	5600	2800
1 120 000	630	6300	7100	7500	8000	8000	8000	6300	5600	8000	7100	6300	6700	6300	6700	7500	8000	8000	5000	2360
	450	6700	8000	8000	8000	8000	8000	6700	6300	8000	7500	7100	7100	7500	8000	8000	8000	8000	5000	2800
	315	7100	8000	8000	8000	8000	8000	7100	7100	8000	7500	7500	7500	8000	8000	8000	8000	8000	5300	2800
	224	7500	8000	8000	8000	8000	8000	7500	7100	8000	8000	7500	7500	8000	8000	8000	8000	8000	5300	2800
1 400 000	450	6300	7500	8000	8000	8000	7500	6300	6000	8000	7100	6300	6300	7100	7500	8000	8000	8000	4750	2800
	315	6700	7500	8000	8000	8000	7500	6700	6300	8000	7100	6700	6700	7100	8000	8000	8000	8000	5000	2800
	224	7100	7500	8000	8000	8000	7500	7100	6700	7500	7100	7100	7100	7500	8000	8000	8000	8000	5000	2800
1 800 000	450	5600	6700	7500	8000	8000	6700	5600	5300	7500	6300	6000	6000	6300	6700	7100	8000	8000	4250	2500
	315	6000	6700	7500	8000	8000	7100	6300	6000	7100	6700	6300	6300	6700	7500	8000	7500	7500	4500	2800
	224	6300	7100	7500	8000	7500	7100	6300	6300	7100	6700	6300	6300	6700	7100	7500	7500	7500	4500	2800
2 240 000	450	5300	6300	6700	7500	7500	6300	5300	5000	6700	6000	5300	5600	5600	6000	6700	7100	7100	4000	2240
	315	5600	6300	7500	7500	7500	6300	5600	5300	6700	6300	5600	5600	6300	7100	7500	7500	7500	4250	2800
	224	6000	6300	7100	7500	7100	6700	6000	5600	6700	6300	6000	6000	6300	6700	7100	7100	7100	4250	2800
2 800 000	315	5300	6000	6700	7500	7100	6000	5300	5000	6300	5600	5300	5300	6000	6300	6700	6700	6700	4000	2650
	224	5600	6000	6700	7100	6700	6000	5600	5300	6300	6000	5600	5600	6000	6300	6700	6700	6700	4000	2800
3 550 000	315	4750	5600	6300	6700	6700	5600	5000	4500	6000	5300	5000	5000	5300	5600	6300	6300	6300	3550	2360
	224	5000	5600	6300	6700	6300	5600	5000	5000	6000	5300	5300	5300	5600	6000	6300	6300	6300	3750	2800
4 500 000	315	4500	5300	5600	6300	6300	5300	4500	4250	5600	5000	4500	4500	5000	5300	5600	6000	6000	3350	2000
	224	4750	5300	6000	6300	6000	5300	4750	4500	5600	5000	4750	4750	5000	5600	6000	6000	6000	3350	2500
5 600 000	315	4000	4750	5300	5600	5600	5000	4000	3750	5300	4500	4250	4250	4500	4750	5300	5600	5600	3150	1800
	224	4250	5000	5600	5600	5600	5000	4500	4250											

16.2 - Axial loads F_{a2} [N] or radial loads F_{r2} [N] on low speed shaft end

Radial load applied on **groove side** •

Sizes **63, 64**

$n_2 \cdot L_h$	$F_{r2}^{1)2)}$																$F_{a2}^{1)}$			
	min ⁻¹ ·h	N m	0	45	90	135	180	225	270	315	0	45	90	135	180	225	270	315		
1 120 000	315	315	5000	5000	5000	5000	5000	5000	5000	4750	5000	5000	4250	4500	5000	5000	5000	5000	1800	3550
	224	224	5000	5000	5000	5000	5000	5000	5000	5000	5000	5000	5000	5000	5000	5000	5000	5000	1800	3550
	160	160	5000	5000	5000	5000	5000	5000	5000	5000	5000	5000	5000	5000	5000	5000	5000	5000	1800	3550
	112	112	5000	5000	5000	5000	5000	5000	5000	5000	5000	5000	5000	5000	5000	5000	5000	5000	1800	3550
1 400 000	224	224	5000	5000	5000	5000	5000	5000	5000	5000	5000	5000	4500	4750	5000	5000	5000	5000	1800	3550
	160	160	5000	5000	5000	5000	5000	5000	5000	5000	5000	5000	5000	5000	5000	5000	5000	5000	1800	3550
	112	112	5000	5000	5000	5000	5000	5000	5000	5000	5000	5000	5000	5000	5000	5000	5000	5000	1800	3550
1 800 000	224	224	5000	5000	5000	5000	5000	5000	4750	4500	4750	4750	4000	4250	5000	5000	5000	5000	1800	3550
	160	160	5000	5000	5000	5000	5000	5000	5000	5000	5000	5000	5000	4750	4750	5000	5000	5000	1800	3550
	112	112	5000	5000	5000	5000	5000	5000	5000	5000	5000	5000	5000	5000	5000	5000	5000	5000	1800	3550
2 240 000	224	224	5000	5000	5000	5000	5000	5000	4500	4000	4250	4250	3750	4000	5000	5000	5000	5000	1800	3350
	160	160	5000	5000	5000	5000	5000	5000	4750	4500	4750	4750	4250	4500	5000	5000	5000	5000	1800	3350
	112	112	5000	5000	5000	5000	5000	5000	5000	5000	5000	5000	4750	4750	5000	5000	5000	5000	1800	3350
2 800 000	160	160	5000	5000	5000	5000	5000	5000	4500	4000	4250	4250	4000	4000	4750	5000	5000	5000	1800	3150
	112	112	5000	5000	5000	5000	5000	5000	4750	4500	4750	4750	4250	4500	5000	5000	5000	5000	1800	3150
3 550 000	160	160	4750	5000	5000	5000	5000	4750	4000	3750	4000	4000	3550	3750	4500	5000	5000	5000	1800	3000
	112	112	4750	5000	5000	5000	5000	5000	4250	4000	4250	4250	4000	4000	4750	5000	5000	5000	1800	3000
4 500 000	160	160	4250	5000	5000	5000	5000	4500	3750	3350	3750	3550	3150	3350	4000	5000	5000	5000	1800	2800
	112	112	4500	5000	5000	5000	5000	4500	4000	3750	4000	4000	3550	3750	4250	5000	5000	4750	1800	2800
5 600 000	160	160	4000	5000	5000	5000	5000	4250	3350	3150	3350	3350	2800	3000	3750	5000	5000	4250	1600	2650
	112	112	4250	4750	5000	5000	4750	4250	3750	3550	3750	3750	3350	3350	4000	4750	5000	5000	1800	2650
7 100 000	160	160	3750	4750	5000	4750	4000	3150	2800	3000	3000	2650	2800	3550	4750	5000	5000	4000	1400	2360
	112	112	3750	4500	4750	4500	4000	3350	3150	3350	3350	3000	3150	3750	4500	5000	4750	4000	1800	2360
max 5 000																			max 1 800	max 3 550

Sizes **80, 81**

355 000	630	8000	8000	8000	8000	8000	8000	8000	8000	7500	7100	8000	8000	7500	8000	8000	8000	8000	8000	5600	2800
	450	8000	8000	8000	8000	8000	8000	8000	8000	8000	8000	8000	8000	8000	8000	8000	8000	8000	8000	5600	2800
	315	8000	8000	8000	8000	8000	8000	8000	8000	8000	8000	8000	8000	8000	8000	8000	8000	8000	8000	5600	2800
450 000	630	7500	8000	8000	8000	8000	8000	8000	8000	6700	6300	8000	7500	6700	8000	8000	8000	8000	8000	5600	2800
	450	8000	8000	8000	8000	8000	8000	8000	8000	8000	7500	8000	8000	8000	8000	8000	8000	8000	8000	5600	2800
	315	8000	8000	8000	8000	8000	8000	8000	8000	8000	8000	8000	8000	8000	8000	8000	8000	8000	8000	5600	2800
560 000	630	6700	8000	8000	8000	8000	8000	8000	8000	6000	5600	8000	6700	6300	7100	8000	8000	8000	8000	5600	2800
	450	8000	8000	8000	8000	8000	8000	8000	8000	7100	6700	8000	7500	7100	8000	8000	8000	8000	8000	5600	2800
	315	8000	8000	8000	8000	8000	8000	8000	8000	8000	7500	8000	8000	8000	8000	8000	8000	8000	8000	5600	2800
710 000	630	6000	8000	8000	8000	8000	8000	7100	5300	4750	8000	6000	5600	6300	8000	8000	8000	8000	5600	2800	
	450	7100	8000	8000	8000	8000	8000	8000	6300	6000	8000	7100	6700	7500	8000	8000	8000	8000	5600	2800	
	315	8000	8000	8000	8000	8000	8000	8000	7500	7100	8000	8000	7500	8000	8000	8000	8000	8000	5600	2800	
900 000	630	5300	8000	8000	8000	8000	8000	6700	4500	4250	7500	5300	5000	5600	8000	8000	8000	8000	5300	2650	
	450	6300	8000	8000	8000	8000	8000	7500	5600	5600	8000	6300	6000	6700	8000	8000	8000	8000	5600	2800	
	315	7100	8000	8000	8000	8000	8000	8000	6700	6300	8000	7100	6700	7500	8000	8000	8000	8000	5600	2800	
1 120 000	630	4750	7500	8000	8000	8000	8000	6000	4000	3550	6700	4750	4250	5000	7500	8000	8000	8000	5000	2360	
	450	6000	8000	8000	8000	8000	8000	6700	5300	5000	7500	6000	5300	6000	8000	8000	8000	8000	5000	2800	
	315	6700	8000	8000	8000	8000	8000	7500	6000	6000	7500	6700	6300	6700	8000	8000	8000	8000	5300	2800	
	224	7100	8000	8000	8000	8000	8000	7500	6700	6700	8000	7100	6700	7100	8000	8000	8000	8000	5300	2800	
1 400 000	450	5300	7500	8000	8000	8000	8000	6300	4750	4500	6700	5300	5000	5600	7500	8000	8000	8000	4750	2800	
	315	6000	7500	8000	8000	8000	8000	6700	5600	5300	7100	6000	5600	6300	7500	8000	8000	8000	5000	2800	
	224	6700	7500	8000	8000	8000	8000	7100	6300	6000	7500	6300	6300	6700	7500	8000	8000	8000	5000	2800	
1 800 000	450	4750	6700	8000	8000	8000	8000	5600	4000	3750	6300	4750	4250	5000	6700	8000	8000	8000	4250	2500	
	315	5600	7100	8000	8000	8000	8000	6300	5000	4750	6700	5600	5000	5600	7100	8000	8000	8000	4500	2800	
	224	6000	7100	8000	8000	8000	8000	6700	5600	5300	6700	6000	5600	6000	7100	8000	8000	8000	4500	2800	
2 240 000	450	4250	6300	8000	8000	8000	8000	5000	3750	3350	5600	4250	4000	4500	6300	8000	8000	8000	4000	2240	
	315	5000	6700	8000	8000	8000	7500	5600	4500	4250	6300	5000	4750	5300	6300	8000	8000	7500	4250	2800	
	224	5600	6700	8000	8000	8000	7500	6000	5300	5000	6300	5600	5300	5600	6700	7500	8000	7500	4250	2800	
2 800 000	315	4500	6300	8000	8000	8000	7100	5300	4250	4000	5600	4500	4250	4750	6000	7500	8000	7100	4000	2650	
	224	5000	6300	7500	7500	6700	5600	4750	4500	4500	6000	5000	4750	5300	6000	7100	7500	7100	4000	2800	
3 550 000	315	4250	5600	7500	8000	6700	4750	3750	3550	3550	5300	4250	3750	4250	5600	7100	7500	6700	3550	2360	
	224	4750	5600	7100	7100	6300	5300	4250	4250	4250	5600	4750	4500	4750	5600	6700	7100	6300	3750	2800	
4 500 000	315	3750	5300	7100	7500	6300	4500	3350	3150	3150	4750	3750	3550	4000	5000	6700	7100	6300	3350	2000	
	224	4250	5300	6700	6700	6000	4750	4000	3750	3750	5000	4250	4000	4250	5300	6300	6700	6000	3350	2500	
5 600 000	315	3350	5000	6700	7100	6000	4000	3000	2800	2800	4500	3350	3150	3550	4750	6000	6700	6000	3150	1800	
	224	4000	5000	6300	6700	6000	5600	4500	3550	3350	4750	4000	3750	4000	5000	6000	6300	5600	3150	2240	
7 100 000	315	3000	4500	6300	6700	5600	3750	2650	2360	2360	4000										

16.2 - Axial loads F_{a2} [N] or radial loads F_{r2} [N] on low speed shaft end

Radial load applied on **opposite side to groove**

Size **100**

$n_2 \cdot L_h$	$F_{r2}^{1(2)}$	$F_{r2}^{1(2)}$												$F_{a2}^{(1)}$					
min ⁻¹ ·h	N m	0	45	90	135	180	225	270	315	0	45	90	135	180	225	270	315		
355 000	1 250	12500	12500	12500	12500	12500	12500	12500	12500	11800	11200	12500	12500	12500	12500	12500	12500	4500	9000
	900	12500	12500	12500	12500	12500	12500	12500	12500	12500	12500	12500	12500	12500	12500	12500	12500	4500	9000
	630	12500	12500	12500	12500	12500	12500	12500	12500	12500	12500	12500	12500	12500	12500	12500	12500	4500	9000
450 000	1 250	12500	12500	12500	11800	11800	11800	11800	12500	11200	10600	11200	12500	12500	12500	12500	12500	4500	9000
	900	12500	12500	12500	12500	12500	12500	12500	12500	11800	11200	12500	12500	12500	12500	12500	12500	4500	9000
	630	12500	12500	12500	12500	12500	12500	12500	12500	12500	12500	12500	12500	12500	12500	12500	12500	4500	9000
560 000	1 250	12500	12500	12500	10600	10000	10600	10600	11800	10000	9500	10600	12500	12500	12500	12500	11200	4500	9000
	900	12500	12500	12500	12500	12500	11200	11800	12500	11200	10600	11200	12500	12500	12500	12500	12500	4500	9000
	630	12500	12500	12500	12500	12500	11800	11800	12500	11800	11200	11800	12500	12500	12500	12500	12500	4500	9000
710 000	1 250	12500	12500	11200	9500	9000	9500	10000	11200	9000	8500	9500	11800	12500	12500	10600	10000	3750	8500
	900	12500	12500	12500	11800	11200	10600	10600	11800	10000	9500	10600	12500	12500	12500	12500	11800	4500	8500
	630	12500	12500	12500	12500	11800	11200	11200	11800	10600	10600	11200	12500	12500	12500	12500	11800	4500	9000
900 000	1 250	12500	11200	10000	8000	7500	8000	9000	10600	8500	7500	8500	11200	12500	11200	9500	8500	3150	7500
	900	11800	12500	11800	10600	10000	9500	10000	10600	9000	9000	9500	11200	12500	12500	11800	10600	4500	8000
	630	11800	12500	12500	11800	10600	10000	10000	11200	10000	9500	10000	11800	12500	12500	12500	11200	4500	8500
1 120 000	1 250	11200	10000	8000	7100	6300	6700	8500	9500	7500	7100	8000	10600	11200	10000	8500	7100	2500	7100
	900	11200	11800	10600	9500	9000	9000	9000	10000	8500	8000	9000	10600	12500	11800	10600	10000	4000	7500
	630	11200	11800	11800	11200	10000	9500	9500	10000	9000	9000	9500	10600	11800	12500	11800	10600	4500	7500
1 400 000	450	11200	11800	11800	11200	10000	10000	10000	10600	9500	9500	10000	10600	11800	11800	11800	10600	4500	8000
	900	10600	11200	9500	8500	8000	8000	8500	9500	8000	7500	8000	10000	11800	11200	9500	9000	3550	7100
	630	10600	11200	11200	10600	9500	9000	9000	9500	8500	8000	8500	10000	11200	11800	11200	9500	4500	7100
1 800 000	450	10600	11200	10600	10000	9500	9000	9000	9500	9000	8500	9000	10000	11200	11200	10600	10000	4500	7500
	900	10000	10000	8500	7500	7100	7500	7500	8500	7100	6700	7500	9000	11200	10000	8500	7500	3000	6300
	630	10000	10600	10000	9500	8500	8000	8000	9000	7500	7500	8000	9500	10600	11200	10600	9000	4250	6700
2 240 000	450	9500	10000	10000	9500	9000	8500	8500	9000	8000	8000	8500	9500	10000	10600	10000	9000	4500	6700
	900	9500	9000	7500	6700	6000	6700	7100	8000	6300	6000	6700	8500	10000	9000	7500	6700	2500	6000
	630	9000	10000	9000	8500	8000	7500	7500	8000	7100	6700	7500	8500	10000	10600	9500	8500	3750	6300
2 800 000	450	9000	9500	9500	9000	8000	8000	8000	8500	7500	7500	8000	9000	9500	10000	9500	8500	4500	6300
	900	8500	9500	8500	7500	7500	6700	7100	7500	6700	6300	6700	8000	9500	9500	8500	7500	3350	5600
	630	8500	9000	9000	8500	7500	7100	7500	8000	7100	6700	7100	8000	9000	9000	8000	8000	4250	6000
3 550 000	450	8000	8500	7500	6700	6300	6300	6300	7100	6000	5600	6300	7500	9000	8500	7500	7100	3000	5300
	900	8000	8500	8500	8000	7100	6700	6700	7100	6300	6300	6700	7500	8500	9000	8500	7500	3750	5600
	630	7500	7500	6700	6000	5600	5600	6000	6700	5600	5300	5600	7100	8500	7500	6700	6300	2500	5000
4 500 000	450	7500	8000	8000	7100	6700	6300	6300	6700	6000	5600	6300	7100	8000	8500	8000	6700	3350	5000
	900	7100	7100	6300	5300	5000	5300	5300	6000	5000	4750	5300	6700	8000	7100	6300	5600	2240	4500
	630	7100	7500	7100	6700	6300	5600	5600	6300	5600	5300	5600	6700	7500	8000	7500	6300	3000	4750
5 600 000	450	6300	6700	6300	5600	5300	5300	5300	6000	4500	4250	4750	6000	7100	6300	5600	5000	1900	4250
	900	6300	6700	6300	5600	5300	5300	5300	6000	4500	4250	4750	6000	7100	6300	5600	5000	1900	4250
	630	6300	6700	6300	5600	5300	5300	5300	6000	4500	4250	4750	6000	7100	6300	5600	5000	1900	4250
7 100 000	450	6300	6700	6300	5600	5300	5300	5300	6000	4500	4250	4750	6000	7100	6300	5600	5000	1900	4250
	900	6300	6700	6300	5600	5300	5300	5300	6000	4500	4250	4750	6000	7100	6300	5600	5000	1900	4250
	630	6300	6700	6300	5600	5300	5300	5300	6000	4500	4250	4750	6000	7100	6300	5600	5000	1900	4250

max **12 500**

max **4 500**

max **9 000**

1) An axial load of up to 0.2 times the value in the table is permissible, simultaneously with the radial load. If exceeded consult us.
 2) For radial loads acting simultaneously on both sides consult us.

16.2 - Axial loads F_{a2} [N] or radial loads F_{r2} [N] on low speed shaft end

Radial load applied on **groove side** •

Size **100**

$n_2 \cdot L_h$	$F_{r2}^{1)2)}$														$F_{a2}^{1)}$					
	min ⁻¹ ·h	N m	0	45	90	135	180	225	270	315	0	45	90	135	180	225	270	315		
355 000	1 250	12500	12500	12500	12500	12500	10600	9500	10600	10000	8000	9000	12500	12500	12500	12500	12500	12500	4500	9000
	900	12500	12500	12500	12500	12500	11800	11200	11800	11800	10000	10600	12500	12500	12500	12500	12500	12500	4500	9000
	630	12500	12500	12500	12500	12500	12500	12500	12500	12500	12500	11800	11800	12500	12500	12500	12500	12500	4500	9000
450 000	1 250	12500	12500	12500	12500	12500	9500	8500	9500	8500	7100	7500	11200	12500	12500	12500	12500	12500	4500	9000
	900	12500	12500	12500	12500	12500	11200	10000	10600	10600	9000	9500	12500	12500	12500	12500	12500	12500	4500	9000
	630	12500	12500	12500	12500	12500	11800	11200	11800	11800	10600	11200	12500	12500	12500	12500	12500	12500	4500	9000
560 000	1 250	11800	12500	12500	12500	11800	8500	7500	8500	7500	6000	6700	10000	12500	12500	12500	12500	12500	4500	9000
	900	12500	12500	12500	12500	12500	10000	9000	10000	9500	8000	8500	11200	12500	12500	12500	12500	12500	4500	9000
	630	12500	12500	12500	12500	12500	11200	10000	11200	10600	9500	10000	11800	12500	12500	12500	12500	12500	4500	9000
710 000	1 250	10600	12500	12500	12500	10600	7500	6700	7500	6700	5300	5600	9000	12500	12500	12500	11200	3750	8500	
	900	11200	12500	12500	12500	11800	9000	8000	9000	8500	7100	7500	10600	12500	12500	12500	11800	4500	8500	
	630	11800	12500	12500	12500	11800	10000	9500	10000	10000	8500	9000	11200	12500	12500	12500	12500	4500	9000	
900 000	1 250	10000	12500	12500	12500	9000	6700	5600	6700	5600	4250	4500	8000	12500	12500	12500	10000	3150	7500	
	900	10600	12500	12500	12500	10600	8000	7500	8000	7500	6300	6700	9500	12500	12500	12500	11200	4500	8000	
	630	11200	12500	12500	12500	11200	9500	8500	9000	8500	7500	8000	10600	12500	12500	12500	11200	4500	8500	
1 120 000	1 250	9000	12500	12500	11200	8000	6000	5000	5600	4750	3550	4000	7100	12500	12500	12500	9000	2500	7100	
	900	10000	12500	12500	12500	10000	7500	6700	7500	6700	5600	6300	8500	12500	12500	12500	10000	4000	7500	
	630	10000	12500	12500	12500	10600	8500	8000	8500	8000	7100	7500	9500	12500	12500	12500	10600	4500	7500	
	450	10600	11800	12500	11800	10600	9000	8500	9000	9000	8000	8500	10000	11800	12500	12500	10600	4500	8000	
1 400 000	900	9000	12500	12500	11200	9500	6700	6000	6700	6000	5000	5300	8000	11800	12500	12500	9500	3550	7100	
	630	9500	11800	12500	11800	9500	8000	7100	7500	7500	6300	6700	9000	11800	12500	12500	10000	4500	7100	
	450	10000	11200	11800	11200	10000	8500	8000	8500	8500	7500	8000	9500	11200	12500	11800	10000	4500	7500	
	900	8000	11800	11800	10600	8000	6000	5000	5600	5300	4250	4750	7100	11200	12500	11800	8500	3000	6300	
1 800 000	630	8500	11200	12500	11200	9000	7100	6300	7100	6700	5600	6300	8000	11200	12500	11800	9000	4250	6700	
	450	9000	10600	11200	10600	9000	7500	7100	7500	7500	6700	7100	8500	10600	11800	11200	9500	4500	6700	
	900	7500	10600	11200	9500	7100	5300	4500	5300	4750	3550	4000	6300	10600	12500	10600	8000	2500	6000	
2 240 000	630	8000	10600	11800	10600	8500	6300	5600	6300	6000	5000	5600	7500	10600	12500	11200	8500	3750	6300	
	450	8500	10000	10600	10000	8500	7100	6700	7100	7100	6300	6300	8000	10000	11200	10600	8500	4500	6300	
	900	7500	10600	11200	9500	7100	5300	4500	5300	4750	3550	4000	6300	10600	12500	10600	8000	2500	6000	
2 800 000	630	7500	10000	10600	9500	7500	6000	5300	5600	5600	4500	5000	6700	9500	11800	10600	8000	3350	5600	
	450	8000	9500	10000	9500	8000	6700	6000	6300	6300	5600	6000	7500	9500	10600	10000	8000	4250	6000	
	900	7100	9500	10000	9000	7100	5300	4750	5300	5000	4000	4500	6300	9000	11200	10000	7100	3000	5300	
3 550 000	630	6300	8500	9000	8000	6700	4750	4250	4750	4250	3550	3750	5600	8500	10000	9000	6700	2500	5000	
	450	6700	8500	9000	8500	6700	5600	5000	5300	5300	4500	4750	6300	8000	9500	9000	7100	3350	5000	
	900	6000	8000	8500	7500	6000	4250	3750	4250	3750	3000	3350	5000	8000	9500	8500	6300	2240	4500	
5 600 000	630	6300	8000	8500	8000	6300	5000	4500	5000	4750	4000	4250	5600	8000	9000	8500	6300	3000	4750	
	450	6300	8000	8500	8000	6300	5000	4500	5000	4750	4000	4250	5600	8000	9000	8500	6300	3000	4750	
	900	5300	7500	8000	6700	5900	4750	4250	4750	4250	3550	3750	5600	8500	10000	9000	6700	2500	5000	
7 100 000	630	5300	7500	8000	6700	5900	4750	4250	4750	4250	3550	3750	5600	8500	10000	9000	6700	2500	5000	
	450	5600	7500	8000	7500	6000	4500	4000	4500	4250	3550	4000	5300	7500	8500	8000	6000	2650	4250	
	900	4500	6000	6500	5500	4750	3750	3350	3750	3350	2500	2800	4500	7500	8500	8000	6000	1900	4250	

1) All axial loads of up to 0.2 times the value in the table is permissible simultaneously with the radial load. If exceeded consult us.
 2) For radial loads acting simultaneously on both sides consult us.

max **12 500**

max **4 500** max **9 000**

16.2 - Axial loads F_{a2} [N] or radial loads F_{r2} [N] on low speed shaft end

Radial load applied on **opposite side to groove**

Size **125**

$n_2 \cdot L_h$		$F_{r2}^{1)2)3)}$												$F_{a2}^{1)}$					
min ⁻¹ ·h	N m	0	45	90	135	180	225	270	315	0	45	90	135	180	225	270	315		
355 000	2 500	20000	20000	20000	20000	20000	20000	20000	19000	20000	20000	20000	20000	20000	20000	20000	20000	14000	7100
	1 800	20000	20000	20000	20000	20000	20000	20000	20000	20000	20000	20000	20000	20000	20000	20000	20000	14000	7100
450 000	2 500	19000	20000	20000	20000	20000	20000	19000	18000	20000	20000	20000	19000	20000	20000	20000	14000	7100	
	1 800	20000	20000	20000	20000	20000	20000	20000	19000	20000	20000	20000	20000	20000	20000	20000	14000	7100	
560 000	2 500	17000	19000	20000	20000	20000	20000	18000	16000	20000	20000	18000	18000	17000	18000	20000	14000	6700	
	1 800	19000	20000	20000	20000	20000	20000	19000	18000	20000	20000	19000	19000	20000	20000	20000	14000	7100	
710 000	2 500	15000	16000	18000	20000	20000	20000	16000	14000	20000	19000	17000	16000	15000	16000	19000	13200	5600	
	1 800	17000	20000	20000	20000	20000	20000	18000	16000	20000	19000	18000	18000	19000	20000	20000	13200	7100	
900 000	2 500	14000	14000	16000	19000	20000	19000	15000	13200	20000	17000	15000	14000	12500	14000	16000	11800	4750	
	1 800	16000	18000	20000	20000	20000	19000	16000	15000	20000	18000	16000	16000	17000	18000	20000	12500	7100	
	1 250	17000	19000	20000	20000	20000	19000	17000	16000	20000	18000	17000	17000	18000	20000	20000	12500	7100	
1 120 000	2 500	12500	11800	14000	17000	19000	18000	13200	11800	19000	16000	14000	11800	10600	11800	15000	11200	3750	
	1 800	14000	17000	18000	20000	20000	18000	15000	13200	19000	17000	15000	15000	15000	16000	18000	11800	6300	
	1 250	15000	17000	20000	20000	20000	18000	16000	15000	19000	17000	16000	16000	17000	19000	20000	11800	7100	
1 400 000	1 800	13200	15000	16000	18000	20000	17000	14000	12500	18000	15000	14000	14000	14000	16000	18000	10600	5300	
	1 250	14000	16000	19000	20000	19000	17000	15000	14000	18000	16000	15000	15000	16000	17000	19000	11200	7100	
1 800 000	1 800	11800	13200	14000	16000	18000	15000	12500	11200	17000	14000	12500	12500	11800	12500	14000	10000	4500	
	1 250	13200	15000	17000	19000	18000	16000	13200	12500	16000	15000	14000	13200	14000	16000	18000	10000	6300	
2 240 000	1 800	11200	11800	12500	15000	17000	14000	11200	10000	16000	13200	11800	11200	10000	11200	13200	9500	4000	
	1 250	11800	14000	16000	17000	17000	14000	12500	11800	15000	14000	12500	12500	13200	14000	15000	9500	5600	
2 800 000	1 250	11200	13200	14000	16000	16000	13200	11800	10600	14000	12500	11800	11800	12500	13200	14000	9000	5000	
	900	11800	13200	15000	16000	15000	14000	11800	11200	14000	13200	12500	12500	13200	14000	15000	9000	6300	
3 550 000	1 250	10000	11800	13200	14000	15000	12500	10600	9500	13200	11800	10600	10600	11200	11800	12500	8000	4500	
	900	11200	12500	14000	15000	14000	12500	11200	10600	13200	11800	11200	11200	11800	13200	14000	8500	5600	
4 500 000	1 250	9500	10600	11800	13200	14000	11800	9500	9000	12500	11200	10000	10000	10000	10000	11800	7500	4000	
	900	10000	11200	13200	14000	13200	11800	10600	9500	12500	11200	10600	10600	11200	12500	13200	7500	5000	
5 600 000	1 250	8500	9500	10600	11800	13200	11200	9000	8000	11800	10000	9000	9000	8500	9000	10600	7100	3350	
	900	9500	10600	12500	13200	12500	11200	9500	9000	11800	10600	9500	9500	10600	11200	11800	7100	4500	
7 100 000	1 250	8000	8500	9000	10600	11800	10000	8000	7500	11200	9500	8500	8000	7500	8000	9500	6700	2800	
	900	8500	10000	11200	12500	11800	10000	9000	8000	10600	9500	9000	9000	9500	10000	11200	6700	4000	

max **20 000**

max **14 000**

max **7 100**

Size **140**

280 000	3 750	28000	28000	28000	28000	28000	28000	28000	26500	28000	28000	28000	28000	28000	28000	28000	18000	9000
	2 650	28000	28000	28000	28000	28000	28000	28000	28000	28000	28000	28000	28000	28000	28000	28000	18000	9000
355 000	3 750	25000	28000	28000	28000	28000	28000	26500	23600	28000	28000	26500	26500	28000	28000	28000	18000	9000
	2 650	28000	28000	28000	28000	28000	28000	28000	26500	28000	28000	28000	28000	28000	28000	28000	18000	9000
450 000	3 750	23600	28000	28000	28000	28000	28000	23600	21200	28000	26500	25000	25000	25000	26500	28000	18000	9000
	2 650	25000	28000	28000	28000	28000	28000	26500	23600	28000	28000	26500	26500	28000	28000	28000	18000	9000
560 000	3 750	21200	23600	26500	28000	28000	28000	22400	20000	28000	25000	22400	22400	21200	23600	28000	17000	7500
	2 650	23600	26500	28000	28000	28000	28000	23600	22400	28000	26500	23600	23600	26500	28000	28000	18000	9000
710 000	3 750	19000	21200	23600	28000	28000	25000	20000	18000	28000	23600	20000	20000	19000	25000	20000	16000	6300
	2 650	21200	25000	28000	28000	28000	26500	22400	20000	28000	23600	22400	22400	25000	26500	28000	16000	9000
	1 900	22400	25000	28000	28000	28000	26500	23600	22400	26500	25000	23600	23600	25000	28000	28000	17000	9000
900 000	3 750	18000	18000	21200	25000	26500	23600	18000	16000	26500	21200	19000	17000	16000	18000	21200	15000	5000
	2 650	20000	23600	26500	28000	28000	23600	20000	19000	25000	22400	20000	21200	22400	23600	26500	15000	8500
	1 900	21200	23600	26500	28000	28000	25000	21200	20000	25000	23600	21200	21200	23600	25000	26500	15000	9000
1 120 000	2 650	18000	22400	23600	26500	26500	22400	19000	17000	23600	21200	19000	19000	20000	21200	23600	14000	7500
	1 900	20000	22400	25000	26500	26500	22400	20000	19000	23600	21200	20000	20000	21200	23600	25000	14000	9000
1 400 000	2 650	16000	19000	21200	23600	25000	21200	17000	15000	22400	19000	17000	17000	17000	19000	21200	13200	6300
	1 900	18000	21200	23600	25000	23600	21200	18000	17000	22400	20000	18000	19000	20000	22400	23600	13200	8500
1 800 000	2 650	15000	17000	19000	21200	23600	19000	15000	14000	21200	18000	16000	16000	15000	17000	19000	11800	5300
	1 900	16000	19000	22400	23600	22400	20000	17000	16000	21200	18000	17000	17000	19000	20000	22400	12500	7500
2 240 000	1 900	15000	18000	20000	22400	21200	18000	15000	14000	19000	17000	16000	16000	17000	18000	20000	11800	6700
	1 320	16000	18000	20000	21200	21200	19000	16000	16000	19000	18000	17000	17000	18000	19000	21200	11800	8500
2 800 000	1 900	14000	17000	19000	20000	20000	17000	14000	13200	18000	16000	14000	14000	16000	16000	18000	10600	6000
	1 320	15000	17000	19000	20000	19000	17000	15000	14000	18000	16000	15000	15000	16000	18000	19000	11200	7500
3 550 000	1 900	12500	15000	17000	19000	19000	16000	13200	11800	17000	15000	13200	13200	14000	15000	16000	10000	5000
	1 320	14000	16000	18000	19000	18000	16000	14000	13200	17000	15000	14000	14000	15000	17000	18000	10000	6700
4 500 000	1 900	11800	14000	15000	17000	18000	15000	11800	10600	16000	13200	12500	12500	12500	13200	15000	9000	4500
	1 320	12500	15000	17000	18000	17000	15000	13200	12500	16000	14000	13200	13200	14000				

16.2 - Axial loads F_{a2} [N] or radial loads F_{r2} [N] on low speed shaft end

Radial load applied on **groove side** •

Size **125**

$n_2 \cdot L_h$	$F_{r2}^{1)2)3)}$	$F_{r2}^{1)2)3)}$												$F_{a2}^{1)}$					
min ⁻¹ ·h	N m	0	45	90	135	180	225	270	315	0	45	90	135	180	225	270	315		
355 000	2 500	17000	20000	20000	20000	20000	20000	15000	14000	20000	18000	16000	18000	20000	20000	20000	20000	14000	7100
	1 800	20000	20000	20000	20000	20000	20000	18000	17000	20000	20000	19000	20000	20000	20000	20000	20000	14000	7100
450 000	2 500	15000	20000	20000	20000	20000	19000	13200	12500	20000	16000	14000	16000	20000	20000	20000	20000	14000	7100
	1 800	18000	20000	20000	20000	20000	20000	16000	15000	20000	18000	17000	19000	20000	20000	20000	20000	14000	7100
560 000	2 500	13200	20000	20000	20000	20000	17000	11800	10600	20000	14000	13200	15000	20000	20000	20000	20000	14000	6700
	1 800	16000	20000	20000	20000	20000	19000	15000	14000	20000	17000	15000	17000	20000	20000	20000	20000	14000	7100
710 000	2 500	11800	19000	20000	20000	20000	15000	10000	9000	18000	13200	11200	13200	17000	20000	20000	20000	13200	5600
	1 800	15000	20000	20000	20000	20000	18000	13200	12500	19000	15000	14000	15000	20000	20000	20000	20000	13200	7100
900 000	2 500	10000	17000	20000	20000	20000	14000	8500	8000	16000	11200	10000	11800	15000	20000	20000	20000	11800	4750
	1 800	13200	19000	20000	20000	20000	16000	11800	11200	18000	14000	12500	14000	18000	20000	20000	20000	12500	7100
	1 250	15000	19000	20000	20000	20000	17000	14000	13200	18000	15000	14000	16000	19000	20000	20000	20000	12500	7100
1 120 000	2 500	8500	15000	20000	20000	20000	12500	7500	6700	15000	10000	8500	10600	13200	18000	20000	20000	11200	3750
	1 800	11800	17000	20000	20000	20000	15000	10600	10000	16000	12500	11200	12500	17000	20000	20000	20000	11800	6300
	1 250	14000	18000	20000	20000	20000	16000	13200	12500	17000	14000	13200	14000	17000	20000	20000	20000	11800	7100
1 400 000	1 800	10600	16000	20000	20000	20000	13200	9500	8500	15000	11200	10000	11800	16000	19000	20000	20000	10600	5300
	1 250	12500	17000	20000	20000	20000	15000	11800	11200	16000	13200	12500	13200	16000	20000	20000	20000	11200	7100
	1 800	9000	14000	20000	20000	19000	11800	8000	7500	14000	10000	9000	10000	14000	17000	20000	19000	10000	4500
2 240 000	1 800	8000	13200	18000	20000	18000	10600	7100	6300	12500	9000	8000	9000	11800	16000	18000	18000	9500	4000
	1 250	10600	14000	19000	20000	17000	12500	9500	9000	14000	10600	10000	11200	14000	18000	19000	17000	9500	5600
	1 800	9500	13200	18000	19000	16000	11800	8500	8000	12500	10000	9000	10000	13200	16000	18000	16000	9000	5000
2 800 000	1 250	10600	14000	17000	18000	16000	12500	10000	9500	13200	11200	10600	11200	13200	16000	17000	16000	9000	6300
	900	8500	12500	17000	18000	15000	10600	7500	7100	11800	9000	8000	9000	11800	15000	16000	15000	8000	4500
	1 250	7500	11200	15000	17000	14000	9500	6700	6300	10600	8000	7100	8000	11200	13200	15000	14000	7500	4000
4 500 000	900	9000	11800	15000	16000	14000	10600	8000	7500	11200	9000	8500	9500	11200	14000	15000	14000	7500	5000
	1 250	6700	10600	14000	16000	13200	8500	6000	5300	10000	7100	6300	7500	10000	12500	14000	14000	7100	3350
	900	8000	11200	14000	15000	13200	9500	7500	7100	10600	8500	7500	8500	10600	13200	14000	13200	7100	4500
5 600 000	1 250	6000	9500	12500	14000	12500	7500	5000	4750	9000	6300	5600	6700	8500	11200	13200	12500	6700	2800
	900	7500	10000	13200	14000	12500	9000	6700	6300	9500	7500	7100	7500	10000	12500	13200	12500	6700	4000
	1 250	6000	9500	12500	14000	12500	7500	5000	4750	9000	6300	5600	6700	8500	11200	13200	12500	6700	4000

max **20 000**

max **14 000**

max **7 100**

Size **140**

280 000	3 750	23600	28000	28000	28000	28000	28000	22400	20000	28000	25000	22400	25000	28000	28000	28000	28000	18000	9000
	2 650	28000	28000	28000	28000	28000	28000	25000	25000	28000	28000	26500	28000	28000	28000	28000	28000	18000	9000
355 000	3 750	21200	28000	28000	28000	28000	26500	19000	18000	28000	22400	20000	23600	28000	28000	28000	28000	18000	9000
	2 650	25000	28000	28000	28000	28000	28000	23600	22400	28000	26500	23600	26500	28000	28000	28000	28000	18000	9000
450 000	3 750	19000	28000	28000	28000	28000	25000	17000	16000	28000	21200	19000	21200	28000	28000	28000	28000	18000	9000
	2 650	23600	28000	28000	28000	28000	26500	21200	20000	28000	23600	22400	23600	28000	28000	28000	28000	18000	9000
560 000	3 750	17000	26500	28000	28000	28000	22400	15000	14000	25000	19000	16000	19000	25000	28000	28000	28000	17000	7500
	2 650	21200	28000	28000	28000	28000	25000	19000	18000	26500	20000	20000	21200	26500	28000	28000	28000	18000	9000
710 000	3 750	15000	23600	28000	28000	28000	20000	13200	11800	23600	16000	14000	17000	21200	28000	28000	28000	16000	6300
	2 650	19000	25000	28000	28000	28000	22400	17000	16000	25000	20000	18000	20000	25000	28000	28000	28000	16000	9000
	1 900	21200	26500	28000	28000	28000	23600	20000	19000	25000	21200	20000	21200	25000	28000	28000	28000	17000	9000
900 000	3 750	13200	21200	28000	28000	28000	18000	11200	10000	21200	15000	13200	15000	19000	25000	28000	28000	15000	5000
	2 650	17000	23600	28000	28000	28000	21200	15000	14000	22400	18000	16000	18000	23600	28000	28000	28000	15000	8500
	1 900	19000	25000	28000	28000	28000	22400	18000	17000	23600	20000	19000	20000	23600	28000	28000	28000	15000	9000
1 120 000	2 650	15000	22400	28000	28000	28000	19000	14000	12500	21200	16000	15000	16000	21200	26500	28000	28000	14000	7500
	1 900	18000	22400	28000	28000	26500	21200	17000	16000	22400	18000	17000	18000	22400	26500	28000	26500	14000	9000
	1 400 000	2 650	13200	20000	26500	28000	25000	17000	12500	11200	19000	14000	13200	15000	20000	23600	26500	26500	13200
1 800 000	1 900	16000	21200	26500	28000	25000	19000	15000	14000	20000	17000	15000	17000	20000	25000	26500	25000	13200	8500
	2 650	11800	19000	25000	28000	23600	16000	10600	10000	18000	13200	11800	13200	17000	21200	25000	25000	11800	5300
	1 900	15000	20000	25000	26500	23600	17000	13200	12500	19000	15000	14000	15000	19000	23600	26500	23600	12500	7500
2 240 000	1 900	13200	18000	23600	26500	22400	16000	12500	11200	18000	14000	12500	14000	18000	22400	23600	22400	11800	6700
	1 320	15000	19000	22400	23600	21200	17000	14000	13200	18000	15000	14000	15000	18000	21200	22400	21200	11800	8500
	1 900	11800	17000	22400	25000	21200	15000	10600	10000	16000	12500	11200	13000	16000	20000	22400	21200	10600	6000
2 800 000	1 320	14000	17000	21200	22400	20000	16000	13200	12500	17000	14000	13200	14000	17000	20000	21200	20000	11200	7500
	1 900	10600	15000	21200	23600	19000	13200	9500	9000	15000	11200	10000	11800	15000	18000	21200	20000	10000	5000
	1 320	12500	16000	20000	21200	19000	14000	11800	11200	15000	13200	11800	13200	15000	19000	20000	19000	10000	6700
4 500 000	1 900	9500	14000	19000	21200	18000	12500	8500	8000	14000	10000	90							

16.2 - Axial loads F_{a2} [N] or radial loads F_{r2} [N] on low speed shaft end

Radial load applied on **opposite side to groove**

Size **160**

$n_2 \cdot L_h$	min ⁻¹ ·h	N m	$F_{r2}^{1)2)3)}$												$F_{a2}^{1)}$					
			0	45	90	135	180	225	270	315	0	45	90	135	180	225	270	315		
280 000	5 600	5 600	35500	35500	35500	35500	33500	31500	31500	33500	30000	28000	30000	35500	35500	35500	35500	35500	11200	22400
	4 000	4 000	35500	35500	35500	35500	35500	33500	33500	35500	31500	30000	31500	35500	35500	35500	35500	35500	11200	22400
355 000	5 600	5 600	35500	35500	33500	30000	28000	28000	28000	31500	26500	25000	28000	33500	35500	35500	33500	31500	11200	22400
	4 000	4 000	35500	35500	35500	35500	31500	30000	30000	31500	30000	28000	30000	33500	35500	35500	35500	33500	11200	22400
450 000	5 600	5 600	33500	33500	30000	26500	25000	26500	26500	28000	25000	23600	25000	31500	35500	33500	30000	28000	10600	21200
	4 000	4 000	33500	35500	35500	33500	30000	28000	28000	30000	26500	26500	28000	35500	35500	35500	31500	31500	11200	21200
560 000	5 600	5 600	31500	31500	26500	23600	22400	23600	23600	26500	22400	21200	23600	28000	33500	31500	26500	23600	9000	19000
	4 000	4 000	31500	33500	31500	30000	28000	25000	25000	28000	25000	23600	25000	30000	33500	35500	31500	28000	11200	20000
710 000	5 600	5 600	30000	28000	22400	20000	19000	20000	22400	25000	20000	19000	21200	26500	30000	28000	23600	21200	7500	18000
	4 000	4 000	28000	31500	28000	26500	25000	25000	23600	23600	25000	23600	25000	28000	31500	31500	30000	26500	11200	19000
900 000	2 800	2 800	28000	31500	31500	28000	26500	25000	25000	26500	25000	23600	25000	28000	31500	31500	30000	26500	11200	19000
	5 600	5 600	28000	25000	19000	17000	16000	17000	20000	22400	19000	17000	19000	25000	28000	25000	20000	18000	6000	16000
1 120 000	4 000	4 000	28000	30000	26500	23600	22400	23600	22400	23600	21200	20000	22400	25000	30000	30000	26500	25000	10000	17000
	2 800	2 800	26500	28000	28000	26500	25000	25000	23600	23600	25000	23600	25000	28000	30000	30000	28000	25000	11200	18000
1 400 000	4 000	4 000	25000	26500	23600	21200	20000	20000	20000	22400	19000	18000	20000	23600	28000	26500	23600	22400	8500	16000
	2 800	2 800	25000	26500	28000	25000	23600	21200	21200	23600	21200	20000	21200	23600	28000	28000	26500	23600	11200	17000
1 800 000	4 000	4 000	23600	23600	21200	19000	18000	18000	18000	20000	17000	16000	18000	20000	26500	23600	21200	20000	7500	15000
	2 800	2 800	23600	25000	25000	22400	21200	20000	20000	21200	19000	18000	19000	22400	25000	26500	25000	22400	10000	15000
2 240 000	4 000	4 000	22400	22400	19000	17000	16000	17000	19000	16000	15000	16000	17000	19000	21200	23600	21200	19000	6300	14000
	2 800	2 800	22400	23600	22400	21200	20000	18000	18000	20000	18000	17000	18000	21200	23600	25000	23600	20000	9000	14000
2 800 000	4 000	4 000	21200	22400	21200	19000	18000	17000	17000	18000	16000	15000	16000	17000	19000	20000	19000	18000	8000	13200
	2 800	2 800	20000	22400	22400	20000	19000	18000	18000	19000	17000	16000	17000	19000	20000	22400	23600	21200	10000	14000
3 550 000	4 000	4 000	19000	21200	19000	17000	16000	15000	15000	17000	15000	14000	15000	16000	18000	19000	18000	17000	7100	12500
	2 800	2 800	19000	20000	20000	19000	17000	16000	16000	17000	16000	15000	16000	18000	19000	21200	21200	20000	9000	12500
4 500 000	4 000	4 000	18000	19000	17000	15000	14000	14000	14000	16000	14000	13200	14000	15000	16000	17000	16000	15000	6000	11200
	2 800	2 800	18000	19000	19000	18000	16000	15000	15000	16000	15000	14000	15000	16000	17000	19000	20000	19000	8000	11800
5 600 000	4 000	4 000	17000	17000	15000	13200	12500	13200	13200	14000	12500	11800	12500	14000	15000	16000	15000	14000	5300	10600
	2 800	2 800	17000	18000	18000	16000	15000	14000	14000	15000	14000	13200	14000	15000	16000	18000	18000	15000	7100	11200
max 35 500	4 000	4 000	16000	15000	13200	11800	11200	11800	11800	13200	11200	10600	11800	13200	14000	15000	14000	13200	4500	9500
	2 800	2 800	16000	17000	16000	15000	14000	13200	13200	14000	12500	11800	12500	14000	15000	17000	16000	14000	6300	10000

max **35 500**

max **11 200**

max **22 400**

Size **180**

280 000	8 000	45000	45000	45000	45000	45000	42500	40000	45000	40000	37500	40000	45000	45000	45000	45000	45000	14000	28000
	5 600	45000	45000	45000	45000	45000	45000	42500	45000	42500	40000	42500	45000	45000	45000	45000	45000	14000	28000
355 000	8 000	45000	45000	45000	42500	40000	37500	37500	42500	35500	33500	35500	40000	45000	45000	45000	45000	14000	28000
	5 600	45000	45000	45000	45000	45000	40000	40000	42500	40000	35500	40000	45000	45000	45000	45000	45000	14000	28000
450 000	8 000	45000	45000	45000	40000	35500	35500	35500	37500	33500	31500	33500	42500	45000	45000	45000	40000	14000	28000
	5 600	45000	45000	45000	45000	40000	37500	37500	40000	37500	35500	37500	42500	45000	45000	45000	42500	14000	28000
560 000	8 000	42500	45000	40000	35500	31500	31500	31500	35500	30000	28000	31500	37500	45000	45000	40000	35500	11800	25000
	5 600	42500	45000	45000	42500	37500	35500	33500	37500	33500	31500	33500	40000	45000	45000	40000	40000	14000	26500
710 000	8 000	40000	40000	35500	30000	28000	28000	28000	33500	28000	25000	28000	35500	42500	40000	35500	30000	10000	23600
	5 600	40000	42500	42500	37500	35500	31500	31500	33500	31500	28000	31500	37500	45000	45000	42500	35500	14000	25000
900 000	4 000	40000	42500	42500	40000	35500	33500	33500	35500	33500	31500	33500	40000	45000	45000	42500	37500	14000	25000
	8 000	37500	35500	30000	26500	23600	25000	26500	30000	25000	22400	25000	33500	40000	35500	31500	26500	8500	21200
1 120 000	5 600	37500	40000	37500	33500	33500	30000	28000	31500	28000	25000	28000	35500	42500	42500	37500	33500	13200	22400
	4 000	37500	40000	40000	37500	33500	33500	31500	31500	33500	30000	28000	30000	35500	40000	42500	40000	14000	23600
1 400 000	5 600	33500	37500	35500	31500	30000	26500	26500	30000	26500	23600	26500	33500	40000	37500	35500	31500	11800	21200
	4 000	33500	37500	37500	35500	31500	28000	28000	31500	28000	25000	28000	33500	40000	37500	40000	37500	14000	22400
1 800 000	5 600	31500	33500	31500	28000	25000	25000	25000	26500	23600	21200	23600	30000	37500	35500	31500	28000	10000	19000
	4 000	31500	35500	35500	33500	28000	26500	26500	28000	26500	23600	26500	30000	35500	35500	30000	30000	13200	20000
2 240 000	4 000	30000	31500	28000	25000	22400	22400	22400	25000	22400	20000	22400	28000	35500	31500	28000	25000	8500	18000
	2 800	30000	33500	31500	30000	26500	25000	25000	26500	23600	21200	23600	28000	33500	35500	33500	28000	11800	19000
2 800 000	4 000	28000	31500	30000	26500	25000	22400	22400	25000	22400	20000	22400	28000	35500	31500	30000	26500	10600	17000
	2 800	28000	30000	30000	28000	25000	23600	23600	25000	23600	22400	23600	28000	30000	31500	30000	26500	13200	18000
3 550 000	4 000	26500	28000	26500	25000	23600	21200	20000	22400	20000	19000	20000	25000	30000	30000	26500	23600	9500	16000
	2 800	26500	28000	28000	26500	23600	22400	22400	23600	21200	20000	22400	25000	28000	28000	26500	23600	1180	

16.2 - Axial loads F_{a2} [N] or radial loads F_{r2} [N] on low speed shaft end

Radial load applied on **groove side** •

Size **160**

$n_2 \cdot L_h$	$F_{r2}^{1)2)3)}$														$F_{a2}^{1)}$					
	min ⁻¹ ·h	N m	0	45	90	135	180	225	270	315	0	45	90	135	180	225	270	315		
280 000	5 600	33500	35500	35500	35500	35500	25000	22400	25000	23600	19000	21200	28000	35500	35500	35500	35500	35500	11200	22400
	4 000	35500	35500	35500	35500	35500	28000	26500	28000	28000	23600	25000	31500	35500	35500	35500	35500	35500	11200	22400
355 000	5 600	30000	35500	35500	35500	31500	22400	20000	21200	21200	17000	18000	26500	35500	35500	35500	33500	33500	11200	22400
	4 000	31500	35500	35500	35500	33500	26500	23600	25000	25000	21200	23600	30000	35500	35500	35500	33500	33500	11200	22400
450 000	5 600	28000	35500	35500	35500	30000	20000	17000	19000	18000	14000	16000	23600	35500	35500	35500	30000	30000	10600	21200
	4 000	30000	35500	35500	35500	31500	23600	21200	23600	23600	20000	21200	26500	35500	35500	35500	31500	31500	11200	21200
560 000	5 600	25000	35500	35500	33500	26500	18000	15000	17000	16000	12500	13200	21200	35500	35500	35500	28000	28000	9000	19000
	4 000	28000	35500	35500	35500	28000	22400	19000	21200	21200	17000	19000	25000	35500	35500	35500	30000	30000	11200	20000
710 000	5 600	22400	33500	35500	31500	22400	16000	13200	15000	13200	10000	11200	18000	33500	35500	35500	25000	25000	7500	18000
	4 000	19000	28000	30000	33500	26500	20000	17000	19000	19000	15000	16000	22400	33500	35500	35500	28000	28000	11200	19000
	2 800	26500	31500	35500	33500	28000	22400	20000	22400	22400	19000	20000	25000	31500	35500	35500	28000	28000	11200	19000
900 000	5 600	20000	31500	33500	28000	20000	14000	11200	13200	11200	8500	9500	16000	31500	35500	31500	22400	22400	6000	16000
	4 000	23600	31500	35500	31500	25000	18000	16000	17000	17000	13200	15000	20000	31500	35500	35500	25000	25000	10000	17000
	2 800	25000	30000	33500	31500	25000	20000	19000	20000	20000	17000	18000	22400	30000	35500	33500	26500	26500	11200	18000
1 120 000	4 000	21200	30000	31500	28000	22400	16000	14000	15000	15000	11800	13200	19000	28000	35500	31500	23600	23600	8500	16000
	2 800	22400	28000	31500	30000	23600	19000	17000	18000	18000	15000	16000	21200	28000	33500	31500	25000	25000	11200	17000
	4 000	19000	28000	30000	26500	21200	14000	11800	14000	13200	10000	11200	16000	26500	33500	30000	21200	21200	7500	15000
1 400 000	2 800	21200	26500	30000	28000	22400	17000	15000	16000	16000	14000	15000	19000	26500	31500	30000	22400	22400	10000	15000
	4 000	18000	26500	28000	23600	19000	12500	10600	11800	11200	8500	9500	15000	25000	31500	26500	20000	20000	6300	14000
	2 800	19000	25000	28000	26500	20000	16000	14000	15000	15000	12500	13200	18000	25000	30000	28000	21200	21200	9000	14000
1 800 000	4 000	18000	23600	26500	23600	19000	14000	12500	14000	13200	11200	11800	16000	23600	28000	26500	19000	19000	8000	13200
	2 800	19000	22400	25000	23600	19000	16000	14000	15000	15000	13200	14000	18000	22400	26500	25000	20000	20000	10000	14000
	4 000	16000	22400	25000	22400	17000	12500	11200	12500	11800	9500	10600	14000	22400	26500	25000	18000	18000	7100	12500
2 800 000	2 800	17000	21200	23600	22400	18000	14000	13200	14000	14000	11800	12500	16000	21200	25000	23600	19000	19000	9000	12500
	4 000	15000	21200	22400	20000	16000	11200	10000	11200	10600	8500	9000	13200	20000	25000	22400	16000	16000	6000	11200
	2 800	16000	20000	22400	21200	17000	13200	11800	12500	12500	10600	11800	15000	20000	23600	22400	17000	17000	8000	11800
4 500 000	2 800	14000	20000	21200	19000	15000	10000	8500	10000	9500	7100	8000	11800	19000	23600	21200	15000	15000	5300	10600
	4 000	15000	19000	21200	20000	15000	11800	10600	11800	11800	10000	10600	13200	19000	22400	21200	16000	16000	7100	11200
	2 800	12500	19000	20000	17000	13200	9000	7500	8500	8000	6000	6700	10600	18000	21200	19000	14000	14000	4500	9500
5 600 000	2 800	14000	18000	20000	19000	14000	11200	9500	10600	10600	8500	9000	12500	18000	21200	20000	15000	15000	6300	10000

max **35 500**

max **11 200**

max **22 400**

Size **180**

280 000	8 000	45000	45000	45000	45000	45000	35500	31500	33500	33500	26500	30000	40000	45000	45000	45000	45000	14000	28000
	5 600	45000	45000	45000	45000	45000	40000	37500	40000	40000	33500	35500	45000	45000	45000	45000	45000	14000	28000
355 000	8 000	42500	45000	45000	45000	42500	31500	28000	31500	30000	23600	25000	37500	45000	45000	45000	45000	14000	28000
	5 600	45000	45000	45000	45000	45000	37500	33500	35500	35500	30000	31500	40000	45000	45000	45000	45000	14000	28000
450 000	8 000	37500	45000	45000	45000	40000	28000	25000	28000	26500	21200	22400	33500	45000	45000	45000	40000	14000	28000
	5 600	40000	45000	45000	45000	42500	33500	30000	33500	31500	28000	30000	37500	45000	45000	45000	42500	14000	28000
560 000	8 000	35500	45000	45000	45000	37500	25000	21200	25000	22400	18000	20000	30000	45000	45000	45000	37500	11800	25000
	5 600	37500	45000	45000	45000	40000	30000	28000	30000	28000	25000	26500	33500	45000	45000	40000	40000	14000	26500
710 000	8 000	31500	45000	45000	42500	31500	22400	19000	21200	20000	15000	17000	26500	45000	45000	45000	33500	10000	23600
	5 600	35500	45000	45000	45000	35500	28000	25000	26500	26500	21200	23600	31500	45000	45000	45000	37500	14000	25000
	4 000	35500	42500	45000	45000	37500	31500	28000	30000	30000	26500	28000	33500	42500	45000	45000	37500	14000	25000
900 000	8 000	28000	42500	45000	37500	28000	20000	16000	19000	17000	12500	14000	23600	42500	45000	45000	31500	8500	21200
	5 600	31500	42500	45000	42500	33500	25000	22400	25000	23600	19000	21200	28000	42500	45000	45000	33500	13200	22400
	4 000	33500	40000	45000	42500	35500	28000	26500	28000	28000	23600	25000	31500	40000	45000	45000	35500	14000	23600
1 120 000	5 600	30000	40000	45000	40000	31500	22400	20000	22400	21200	17000	19000	26500	40000	45000	45000	31500	11800	21200
	4 000	31500	37500	42500	40000	31500	26500	23600	25000	25000	21200	23600	28000	37500	45000	42500	33500	14000	22400
	5 600	26500	37500	40000	35500	28000	20000	17000	20000	18000	15000	16000	23600	37500	45000	40000	28000	10000	19000
1 400 000	4 000	26500	35000	40000	37500	30000	23600	21200	23600	22400	19000	20000	26500	35500	42500	40000	30000	13200	20000
	5 600	25000	35500	37500	33500	26500	18000	15000	17000	16000	12500	14000	21200	35500	42500	37500	26500	8500	18000
	4 000	26500	33500	37500	35500	28000	21200	19000	21200	20000	17000	19000	25000	33500	40000	37500	28000	11800	19000
2 240 000	4 000	25000	31500	35500	33500	25000	20000	17000	19000	19000	15000	17000	22400	31500	37500	35500	26500	10600	17000
	2 800	25000	31500	33500	31500	26500	22400	20000	21200	21200	19000	20000	23600	31500	35500	33500	26500	13200	18000
	4 000	22400	30000	33500	30000	23600	18000	16000	17000	17000	14000	15000	20000	30000	35500	33500	25000	9500	16000
3 550 000	2 800	23600	28000	31500	30000	25000	20000	18000	20000	20000	17000	18000	22400	28000	33500	31500	25000	11800	17000
	4 000	21200	28000	315															

16.2 - Axial loads F_{a2} [N] or radial loads F_{r2} [N] on low speed shaft end

Radial load applied on **opposite side to groove**

Size **200**

$n_2 \cdot L_h$		$F_{r2}^{1)2)3)}$												$F_{a2}^{1)}$					
min ⁻¹ ·h	N m	0	45	90	135	180	225	270	315	0	45	90	135	180	225	270	315		
280 000	11 200	47500	56000	56000	56000	56000	56000	50000	45000	56000	56000	50000	50000	50000	53000	56000	56000	35500	18000
	8 000	53000	56000	56000	56000	56000	56000	53000	50000	56000	56000	53000	53000	56000	56000	56000	56000	35500	18000
355 000	11 200	45000	50000	56000	56000	56000	56000	45000	40000	56000	53000	47500	47500	45000	47500	56000	56000	35500	17000
	8 000	47500	56000	56000	56000	56000	56000	50000	45000	56000	53000	50000	50000	53000	56000	56000	56000	35500	18000
450 000	11 200	40000	42500	50000	56000	56000	53000	42500	37500	56000	47500	42500	42500	40000	42500	50000	56000	33500	14000
	8 000	45000	50000	56000	56000	56000	53000	45000	42500	56000	50000	45000	45000	50000	53000	56000	56000	33500	18000
560 000	11 200	35500	37500	42500	50000	56000	47500	37500	33500	53000	45000	40000	35500	33500	37500	42500	50000	31500	11800
	8 000	40000	47500	53000	56000	56000	50000	42500	37500	53000	45000	42500	42500	45000	47500	53000	56000	31500	18000
710 000	11 200	33500	31500	37500	45000	50000	45000	33500	30000	47500	40000	35500	30000	28000	31500	37500	45000	28000	9500
	8 000	37500	45000	47500	53000	53000	45000	37500	35500	50000	42500	37500	35500	40000	42500	47500	53000	30000	16000
	5 600	40000	45000	50000	53000	53000	47500	40000	37500	47500	45000	40000	40000	45000	47500	50000	50000	30000	18000
900 000	11 200	26500	26500	31500	40000	45000	42500	31500	28000	42500	37500	33500	25000	23600	26500	33500	40000	26500	7500
	8 000	33500	40000	42500	47500	50000	42500	31500	31500	45000	40000	35500	35500	35500	37500	42500	47500	28000	14000
	5 600	37500	42500	47500	50000	50000	42500	37500	35500	45000	40000	37500	37500	40000	45000	47500	47500	28000	18000
1 120 000	8 000	31500	35500	37500	45000	47500	40000	31500	30000	42500	37500	33500	33500	31500	33500	37500	42500	25000	11800
	5 600	33500	40000	45000	47500	47500	40000	35500	33500	42500	37500	35500	35500	37500	42500	45000	45000	26500	17000
1 400 000	8 000	28000	30000	33500	40000	42500	37500	30000	26500	40000	33500	30000	30000	28000	30000	33500	37500	23600	10000
	5 600	31500	35500	42500	45000	42500	37500	31500	30000	40000	33500	31500	31500	35500	37500	40000	42500	23600	15000
1 800 000	8 000	26500	26500	30000	35500	40000	33500	26500	23600	37500	31500	28000	25000	23600	26500	31500	35500	22400	8500
	5 600	28000	33500	37500	42500	40000	35500	30000	28000	37500	33500	30000	30000	33500	33500	37500	40000	22400	13200
2 240 000	5 600	26500	31500	33500	37500	37500	33500	26500	25000	35500	30000	28000	28000	28000	30000	33500	37500	21200	11800
	4 000	28000	31500	35500	37500	37500	33500	28000	26500	33500	31500	30000	28000	28000	31500	33500	37500	21200	14000
2 800 000	5 600	23600	28000	31500	33500	35500	30000	25000	22400	31500	28000	25000	25000	25000	26500	30000	33500	19000	10000
	4 000	26500	30000	33500	35500	35500	30000	26500	25000	31500	28000	26500	26500	28000	31500	33500	33500	20000	13200
3 550 000	5 600	22400	25000	28000	31500	33500	28000	22400	21200	30000	26500	23600	23600	22400	23600	28000	30000	18000	8500
	4 000	23600	28000	31500	33500	33500	28000	25000	22400	30000	26500	25000	25000	26500	28000	31500	31500	18000	11800
4 500 000	5 600	20000	22400	25000	28000	31500	26500	21200	19000	28000	23600	21200	21200	20000	21200	25000	28000	17000	7100
	4 000	22400	25000	30000	31500	31500	26500	22400	21200	28000	25000	23600	23600	25000	26500	28000	30000	17000	10600
5 600 000	5 600	18000	19000	21200	25000	28000	23600	19000	17000	26500	22400	20000	18000	17000	19000	22400	25000	15000	6000
	4 000	20000	23600	26500	30000	28000	25000	21200	19000	26500	23600	21200	21200	22400	23600	26500	28000	16000	9000

Values valid for solid low speed shaft⁴⁾ (see ch. 17).

max **56 000**

max **35 500**

max **18 000**

Size **225**

280 000	16 000	67000	71000	71000	71000	71000	71000	71000	63000	71000	71000	71000	71000	71000	71000	71000	71000	45000	22400
	11 200	71000	71000	71000	71000	71000	71000	71000	71000	71000	71000	71000	71000	71000	71000	71000	71000	45000	22400
355 000	16 000	63000	71000	71000	71000	71000	71000	63000	56000	71000	71000	67000	67000	67000	71000	71000	71000	45000	22400
	11 200	67000	71000	71000	71000	71000	71000	67000	63000	71000	71000	71000	71000	71000	71000	71000	71000	45000	22400
450 000	16 000	56000	67000	71000	71000	71000	71000	60000	53000	71000	67000	60000	60000	60000	63000	71000	71000	42500	20000
	11 200	63000	71000	71000	71000	71000	71000	63000	60000	71000	71000	63000	63000	71000	71000	71000	71000	45000	22400
560 000	16 000	53000	56000	63000	71000	71000	67000	53000	47500	71000	63000	56000	53000	50000	56000	63000	71000	40000	17000
	11 200	56000	67000	71000	71000	71000	67000	60000	53000	71000	63000	60000	60000	63000	71000	71000	71000	42500	22400
710 000	16 000	47500	50000	56000	67000	71000	63000	47500	42500	67000	56000	50000	45000	42500	47500	57000	63000	37500	13200
	11 200	53000	63000	71000	71000	71000	63000	53000	50000	67000	60000	56000	56000	60000	63000	67000	71000	37500	21200
	8 000	56000	63000	71000	71000	71000	63000	56000	53000	67000	60000	56000	56000	63000	67000	71000	71000	40000	22400
900 000	16 000	42500	42500	50000	60000	67000	56000	45000	40000	63000	53000	45000	37500	37500	42500	50000	57000	35500	11200
	11 200	47500	56000	63000	71000	71000	60000	50000	45000	63000	56000	50000	50000	53000	56000	63000	71000	35500	19000
	8 000	53000	60000	67000	71000	67000	60000	53000	50000	63000	56000	53000	53000	56000	63000	67000	67000	37500	22400
1 120 000	11 200	45000	53000	56000	63000	67000	56000	45000	40000	60000	50000	47500	47500	47500	50000	56000	63000	33500	16000
	8 000	47500	56000	63000	67000	63000	56000	50000	45000	60000	53000	50000	50000	53000	60000	63000	63000	33500	22400
1 400 000	11 200	40000	45000	50000	56000	63000	50000	40000	37500	56000	47500	42500	42500	40000	45000	50000	56000	31500	14000
	8 000	45000	50000	60000	63000	60000	53000	45000	42500	56000	50000	45000	45000	50000	53000	60000	60000	33500	20000
1 800 000	11 200	37500	40000	45000	53000	56000	47500	37500	33500	53000	45000	40000	37500	35500	40000	45000	50000	28000	11800
	8 000	40000	47500	56000	60000	56000	50000	42500	37500	53000	45000	42500	42500	45000	50000	53000	56000	30000	17000
2 240 000	8 000	37500	45000	50000	56000	53000	45000	37500	35500	47500	42500	37500	37500	42500	45000	50000	53000	28000	15000
	5 600	40000	45000	50000	53000	53000	45000	40000	37500	47500	42500	40000	40000	42500	47500	50000	50000	28000	20000
2 800 000	8 000	33500	40000	45000	50000	50000	42500	35500	31500	45000	40000	35500	35500	37500	40000	45000	50000	25000	13200
	5 600	37500	42500	47500	50000	47500	42500	37500	35500	45000	40000	37500	37500	40000	45000	47500	47500	26500	17000

16.2 - Axial loads F_{a2} [N] or radial loads F_{r2} [N] on low speed shaft end

Radial load applied on **groove side** •

Size **200**

$n_2 \cdot L_h$	$F_{r2}^{1) 2) 3)}$														$F_{a2}^{1)}$				
	min ⁻¹ ·h	N m																	
		0	45	90	135	180	225	270	315	0	45	90	135	180	225	270	315		
280 000	11 200	37500	56000	56000	56000	56000	50000	33500	31500	56000	40000	37500	42500	56000	56000	56000	56000	35500	18000
	8 000	47500	56000	56000	56000	56000	53000	42500	40000	56000	47500	45000	47500	56000	56000	56000	56000	35500	18000
355 000	11 200	33500	53000	56000	56000	56000	45000	30000	28000	50000	37500	33500	37500	53000	56000	56000	56000	35500	17000
	8 000	42500	56000	56000	56000	56000	50000	37500	35500	53000	42500	40000	45000	56000	56000	56000	56000	35500	18000
450 000	11 200	30000	50000	56000	56000	56000	40000	26500	23600	47500	33500	30000	33500	45000	56000	56000	56000	33500	14000
	8 000	37500	53000	56000	56000	56000	45000	35500	31500	50000	40000	35500	40000	50000	56000	56000	56000	33500	18000
560 000	11 200	26500	45000	56000	56000	56000	35500	22400	20000	42500	30000	25000	30000	40000	53000	56000	56000	31500	11800
	8 000	33500	47500	56000	56000	56000	42500	31500	28000	45000	35500	31500	35500	47500	56000	56000	56000	31500	18000
710 000	11 200	22400	40000	56000	56000	56000	31500	19000	17000	37500	25000	22400	26500	33500	47500	56000	56000	28000	9500
	8 000	30000	45000	56000	56000	56000	37500	28000	25000	42500	31500	28000	33500	42500	56000	56000	56000	30000	16000
	5 600	35500	47500	56000	56000	53000	42500	33500	31500	45000	37500	33500	37500	45000	56000	56000	53000	30000	18000
900 000	11 200	19000	33500	50000	56000	53000	26500	16000	14000	35500	22400	19000	23600	28000	42500	53000	50000	26500	7500
	8 000	28000	42500	56000	56000	56000	33000	25000	22400	40000	30000	26500	30000	40000	50000	56000	53000	28000	14000
	5 600	33500	42500	56000	56000	50000	37500	30000	28000	40000	33500	31500	33500	42500	50000	56000	50000	28000	18000
1 120 000	8 000	25000	37500	53000	56000	50000	31500	21200	20000	35500	26500	23600	26500	37500	45000	53000	50000	25000	11800
	5 600	30000	40000	53000	56000	47500	35500	28000	26500	37500	31500	28000	31500	40000	47500	53000	47500	26500	17000
1 400 000	8 000	21200	35500	47500	53000	45000	28000	18000	17000	33500	23600	20000	23600	31500	42500	47500	47500	23600	10000
	5 600	26500	37500	47500	53000	45000	31500	25000	22400	35500	28000	25000	28000	35500	45000	50000	45000	23600	15000
1 800 000	8 000	18000	31500	42500	50000	42500	25000	16000	14000	30000	21200	18000	21200	28000	37500	45000	42500	22400	8500
	5 600	25000	33500	45000	50000	42500	30000	22400	20000	33500	25000	23600	26500	33500	42500	47500	42500	22400	13200
2 240 000	5 600	22400	31500	42500	47500	40000	26500	20000	18000	30000	23600	21200	23600	31500	37500	42500	40000	21200	11800
	4 000	25000	33500	40000	42500	37500	30000	23600	22400	31500	26500	23600	26500	31500	37500	42500	37500	21200	14000
2 800 000	5 600	20000	30000	40000	45000	37500	25000	17000	16000	28000	21200	19000	21200	28000	35500	40000	37500	19000	10000
	4 000	23600	30000	37500	40000	35500	26500	21200	20000	28000	23600	22400	23600	30000	35500	40000	35500	20000	13200
3 550 000	5 600	17000	26500	37500	40000	35500	22400	15000	14000	25000	19000	16000	19000	26500	31500	37500	35500	18000	8500
	4 000	21200	28000	37500	40000	33500	25000	19000	18000	26500	21200	20000	22400	28000	33500	37500	33500	18000	11800
4 500 000	5 600	15000	25000	33500	37500	31500	20000	13200	11800	23600	17000	15000	17000	23600	30000	33500	33500	17000	7100
	4 000	19000	26500	35500	37500	31500	22400	17000	16000	25000	20000	18000	20000	25000	31500	35500	31500	17000	10600
5 600 000	5 600	13200	22400	30000	35500	30000	18000	11200	10000	21200	15000	12500	15000	20000	26500	31500	30000	15000	6000
	4 000	17000	23600	33500	35500	30000	21200	15000	14000	23600	18000	16000	18000	23600	30000	33500	30000	16000	9000

Values valid for solid low speed shaft⁴⁾ (see ch. 17). max **56 000** max **35 500** max **18 000**

Size **225**

280 000	16 000	56000	71000	71000	71000	71000	71000	53000	47500	71000	60000	56000	63000	71000	71000	71000	71000	45000	22400	
	11 200	67000	71000	71000	71000	71000	71000	63000	60000	71000	67000	63000	67000	71000	71000	71000	71000	45000	22400	
355 000	16 000	50000	71000	71000	71000	71000	63000	45000	42500	71000	56000	50000	56000	71000	71000	71000	71000	45000	22400	
	11 200	60000	71000	71000	71000	71000	71000	56000	53000	71000	63000	56000	63000	71000	71000	71000	71000	45000	22400	
450 000	16 000	45000	71000	71000	71000	71000	60000	40000	37500	67000	50000	45000	50000	67000	71000	71000	71000	42500	20000	
	11 200	56000	71000	71000	71000	71000	67000	50000	47500	71000	56000	53000	56000	71000	71000	71000	71000	45000	22400	
560 000	16 000	40000	63000	71000	71000	71000	53000	35500	31500	63000	45000	40000	45000	60000	71000	71000	71000	40000	17000	
	11 200	50000	67000	71000	71000	71000	60000	45000	42500	67000	53000	47500	53000	67000	71000	71000	71000	42500	22400	
710 000	16 000	35500	56000	71000	71000	71000	47500	30000	26500	56000	40000	33500	40000	50000	67000	71000	71000	37500	13200	
	11 200	45000	63000	71000	71000	71000	56000	40000	37500	60000	47500	42500	47500	63000	71000	71000	71000	37500	21200	
	8 000	50000	63000	71000	71000	71000	60000	47500	45000	63000	53000	50000	53000	63000	71000	71000	71000	40000	22400	
900 000	16 000	30000	50000	71000	71000	71000	42500	26500	23600	53000	35500	30000	35500	45000	60000	71000	71000	35500	11200	
	11 200	40000	60000	71000	71000	71000	50000	37500	33500	56000	42500	40000	42500	56000	71000	71000	71000	35500	19000	
	8 000	47500	60000	71000	71000	71000	56000	45000	42500	56000	47500	45000	50000	60000	71000	71000	71000	37500	22400	
1 120 000	11 200	35500	53000	71000	71000	71000	67000	45000	33500	30000	53000	40000	35500	40000	53000	63000	71000	71000	33500	16000
	8 000	42500	56000	71000	71000	71000	67000	50000	40000	37500	53000	45000	40000	45000	56000	67000	71000	71000	33500	22400
1 400 000	11 200	31500	50000	67000	71000	71000	63000	40000	28000	25000	47500	35500	31500	35500	47500	56000	67000	67000	31500	14000
	8 000	37500	53000	67000	71000	71000	63000	47500	35500	33500	50000	40000	37500	40000	50000	63000	67000	63000	33500	20000
1 800 000	11 200	28000	45000	60000	71000	60000	37500	25000	22400	45000	31500	28000	31500	40000	53000	63000	60000	28000	11800	
	8 000	35500	47500	63000	67000	56000	42500	31500	30000	45000	37500	33500	37500	47500	60000	63000	60000	30000	17000	
2 240 000	8 000	31500	45000	60000	63000	56000	40000	30000	26500	42500	33500	31500	33500	42500	56000	60000	56000	28000	15000	
	5 600	37500	45000	56000	60000	53000	42500	33500	33500	45000	37500	35500	37500	45000	53000	56000	53000	28000	20000	
2 800 000	8 000	28000	40000	56000	63000	50000	35500	26500	23600	40000	30000	28000	31500	40000	50000	56000	53000	25000	13200	
	5 600	33500	42500	53000	56000	50000	37500	31500	30000	40000	33500	31500	35500	42500	50000	53000	50000	26500	17000	
3 550 000	8 000	25000	37500	53000	56000	47500	31500	22400	21200	37500	28000	25000	28000							

16.2 - Axial loads F_{a2} [N] or radial loads F_{r2} [N] on low speed shaft end

Radial load applied on **opposite side to groove**

Size **250**

$n_2 \cdot L_h$	min ⁻¹ ·h	N m	$F_{r2}^{1)2)3)}$								$F_{a2}^{1)}$								
			0	45	90	135	180	225	270	315	0	45	90	135	180	225	270	315	
280 000	22 400	90000	90000	90000	90000	90000	90000	90000	90000	85000	80000	85000	90000	90000	90000	90000	90000	28000	56000
	16 000	90000	90000	90000	90000	90000	90000	90000	90000	90000	85000	80000	85000	90000	90000	90000	90000	28000	56000
355 000	22 400	90000	90000	90000	90000	85000	80000	80000	90000	75000	71000	80000	90000	90000	90000	90000	90000	28000	56000
	16 000	90000	90000	90000	90000	90000	85000	85000	90000	85000	80000	85000	90000	90000	90000	90000	90000	28000	56000
450 000	22 400	90000	90000	90000	80000	75000	75000	75000	85000	71000	67000	71000	90000	90000	90000	90000	85000	28000	56000
	16 000	90000	90000	90000	90000	85000	80000	80000	85000	75000	71000	80000	90000	90000	90000	90000	90000	28000	56000
560 000	22 400	90000	90000	80000	71000	63000	67000	67000	75000	63000	60000	67000	85000	90000	90000	80000	71000	25000	53000
	16 000	90000	90000	90000	85000	80000	71000	71000	80000	71000	67000	71000	85000	90000	90000	90000	80000	28000	56000
710 000	22 400	85000	80000	71000	60000	56000	60000	63000	71000	60000	53000	60000	75000	90000	80000	71000	63000	21200	50000
	16 000	85000	90000	85000	75000	71000	67000	67000	75000	63000	63000	67000	80000	90000	90000	85000	75000	28000	53000
900 000	22 400	80000	71000	63000	53000	47500	50000	56000	67000	53000	50000	56000	71000	80000	75000	63000	50000	17000	47500
	16 000	75000	85000	75000	71000	67000	63000	63000	67000	60000	56000	60000	71000	85000	85000	80000	71000	26500	47500
1 120 000	22 400	75000	80000	80000	75000	71000	67000	67000	71000	63000	60000	63000	75000	85000	85000	80000	71000	28000	47500
	16 000	71000	75000	71000	63000	60000	56000	56000	63000	53000	53000	56000	67000	80000	80000	71000	63000	23600	45000
1 400 000	22 400	71000	75000	75000	71000	63000	60000	60000	63000	60000	60000	60000	67000	75000	75000	67000	67000	28000	45000
	16 000	67000	71000	63000	56000	53000	53000	53000	60000	50000	47500	53000	63000	75000	71000	63000	60000	21200	40000
1 800 000	22 400	67000	71000	71000	67000	60000	56000	56000	60000	53000	53000	56000	63000	71000	75000	71000	60000	26500	42500
	16 000	63000	63000	56000	50000	47500	47500	50000	53000	45000	42500	47500	60000	71000	75000	63000	56000	18000	37500
2 240 000	22 400	63000	67000	67000	60000	56000	53000	53000	56000	50000	50000	53000	60000	67000	71000	67000	56000	25000	40000
	16 000	60000	63000	60000	53000	53000	47500	47500	53000	47500	45000	47500	56000	63000	67000	63000	53000	22400	35500
2 800 000	22 400	60000	60000	60000	56000	53000	50000	50000	53000	47500	47500	50000	56000	63000	63000	60000	53000	26500	37500
	16 000	53000	53000	53000	50000	47500	45000	45000	47500	42500	40000	42500	53000	60000	60000	56000	50000	19000	33500
3 550 000	22 400	53000	56000	56000	53000	50000	47500	47500	50000	45000	42500	47500	53000	60000	60000	56000	50000	23600	35500
	16 000	50000	53000	50000	45000	42500	40000	40000	45000	37500	35500	40000	47500	56000	56000	50000	45000	17000	31500
4 500 000	22 400	50000	53000	53000	50000	45000	42500	42500	45000	40000	37500	42500	50000	53000	53000	50000	45000	22400	31500
	16 000	47500	50000	45000	40000	37500	37500	37500	42500	35500	33500	35500	45000	53000	50000	45000	42500	15000	30000
5 600 000	22 400	47500	50000	50000	47500	42500	40000	40000	42500	37500	37500	40000	45000	53000	53000	50000	45000	20000	30000
	16 000	45000	45000	40000	35500	31500	33500	33500	37500	31500	30000	33500	42500	50000	45000	40000	35500	12500	26500
	8 000	45000	47500	47500	42500	40000	35500	35500	40000	35500	33500	35500	42500	47500	50000	47500	40000	18000	28000

max **90 000**

max **28 000**

max **56 000**

Values valid for solid low speed shaft⁴⁾ (see ch. 17).

Size **280**

280 000	31 500	112000	112000	112000	112000	112000	112000	112000	112000	112000	112000	112000	112000	112000	112000	112000	112000	35500	71000
	22 400	112000	112000	112000	112000	112000	112000	112000	112000	112000	112000	112000	112000	112000	112000	112000	112000	35500	71000
355 000	31 500	112000	112000	112000	112000	112000	106000	106000	112000	100000	100000	112000	112000	112000	112000	112000	112000	35500	71000
	22 400	112000	112000	112000	112000	112000	112000	112000	112000	112000	112000	112000	112000	112000	112000	112000	112000	35500	71000
450 000	31 500	112000	112000	112000	112000	106000	100000	100000	106000	95000	90000	100000	100000	112000	112000	112000	112000	35500	71000
	22 400	112000	112000	112000	112000	112000	106000	106000	112000	100000	95000	100000	106000	112000	112000	112000	112000	35500	71000
560 000	31 500	112000	112000	112000	100000	95000	90000	90000	100000	85000	80000	90000	90000	106000	112000	112000	100000	33500	67000
	22 400	112000	112000	112000	112000	106000	95000	95000	106000	95000	90000	100000	106000	112000	112000	112000	106000	35500	67000
710 000	31 500	112000	112000	100000	90000	80000	85000	80000	90000	80000	71000	80000	80000	100000	112000	112000	100000	28000	60000
	22 400	106000	112000	112000	106000	100000	90000	90000	95000	85000	80000	90000	90000	100000	112000	112000	100000	35500	63000
900 000	22 400	106000	112000	112000	112000	100000	95000	95000	100000	90000	80000	90000	90000	106000	112000	112000	100000	35500	63000
	16 000	100000	100000	90000	75000	71000	75000	75000	85000	71000	63000	71000	71000	95000	112000	106000	90000	23600	56000
1 120 000	22 400	100000	112000	106000	100000	90000	80000	80000	90000	80000	75000	80000	80000	95000	112000	112000	95000	35500	60000
	16 000	100000	106000	106000	100000	95000	85000	85000	90000	85000	80000	85000	90000	112000	112000	106000	95000	35500	60000
1 400 000	22 400	95000	106000	95000	90000	85000	75000	75000	80000	71000	67000	75000	75000	90000	106000	112000	85000	31500	56000
	16 000	95000	100000	100000	95000	85000	80000	80000	85000	80000	75000	80000	80000	90000	100000	100000	90000	35500	56000
1 800 000	22 400	90000	95000	85000	80000	75000	71000	67000	75000	67000	63000	71000	71000	80000	100000	100000	80000	26500	50000
	16 000	90000	100000	90000	85000	80000	71000	71000	75000	71000	67000	71000	75000	85000	95000	100000	80000	35500	53000
2 240 000	22 400	85000	85000	80000	71000	63000	63000	63000	71000	60000	56000	63000	63000	75000	95000	90000	71000	23600	47500
	16 000	80000	90000	90000	85000	75000	67000	67000	75000	67000	63000	67000	75000	80000	90000	95000	75000	31500	47500
2 800 000	22 400	75000	85000	85000	75000	71000	63000	63000	67000	63000	56000	63000	63000	75000	85000	90000	85000	28000	45000
	16 000	75000	80000	80000	75000	71000	67000	67000	71000	67000	63000	67000	75000	80000	85000	80000	71000	33500	45000
3 550 000	22 400	71000	80000	75000	67000	63000	56000	56000	63000	56000	53000	56000	63000	75000	80000	75000	67000	25000	42500
	16 000	71000	75000	75000	71000	67000	60000	60000	63000	60000	56000	60000	67000	75000	80000	75000	67000	31500	42500
4 500 000	22 400	67000	75000	71000	63000	60000	53000	53000	56000	50000	47500	50000	56000	63000	75000	71000	63000	22400	37500
	16 000																		

16.2 - Axial loads F_{a2} [N] or radial loads F_{r2} [N] on low speed shaft end

Radial load applied on **groove side** •

Size **250**

$n_2 \cdot L_h$	$F_{r2}^{1)2)3)}$	$F_{a2}^{1)}$																	
min ⁻¹ ·h	N m	0	45	90	135	180	225	270	315	0	45	90	135	180	225	270	315		
280 000	22 400	9000	9000	9000	9000	9000	7500	6700	7500	7100	6000	6300	8500	9000	9000	9000	9000	2800	5600
	16 000	9000	9000	9000	9000	9000	8500	7500	8500	8000	7100	7500	7500	9000	9000	9000	9000	2800	5600
355 000	22 400	9000	9000	9000	9000	9000	6700	6000	6700	6300	5000	5600	7500	9000	9000	9000	9000	2800	5600
	16 000	9000	9000	9000	9000	9000	7500	7100	7500	7500	6300	6700	8500	9000	9000	9000	9000	2800	5600
450 000	22 400	8000	9000	9000	9000	8500	6000	5300	6000	5600	4500	5000	7100	9000	9000	9000	8500	2800	5600
	16 000	8500	9000	9000	9000	9000	7100	6300	7100	6700	6000	6300	8000	9000	9000	9000	9000	2800	5600
560 000	22 400	7500	9000	9000	9000	7500	5300	4750	5300	5000	3750	4250	6300	9000	9000	9000	8000	2500	5300
	16 000	8000	9000	9000	9000	8000	6300	6000	6300	6000	5300	5600	7100	9000	9000	9000	8500	2800	5600
710 000	22 400	6700	9000	9000	8500	6700	4750	4250	4750	4250	3350	3550	5600	9000	9000	9000	7100	2120	5000
	16 000	7100	9000	9000	9000	7500	6000	5300	5600	5600	4750	5000	6700	9000	9000	9000	7500	2800	5300
	11 200	7500	9000	9000	9000	7500	6300	6000	6300	6300	5600	6000	7100	9000	9000	9000	8000	2800	5300
900 000	22 400	6300	9000	9000	8000	5600	4250	3550	4250	3550	2800	3150	5000	9000	9000	9000	6300	1700	4750
	16 000	6700	9000	9000	9000	7100	5300	4750	5300	5000	4250	4500	6000	9000	9000	9000	7100	2650	4750
	11 200	7100	8500	9000	8500	7100	6000	5300	6000	5600	5000	5300	6700	8500	9000	9000	7100	2800	4750
1 120 000	16 000	6300	8500	9000	8000	6300	4750	4250	4750	4500	3750	4000	5600	8500	9000	9000	6700	2360	4500
	11 200	6700	8000	9000	8000	6700	5300	5000	5300	5300	4750	5000	6000	8000	9000	8500	6700	2800	4500
1 400 000	16 000	5600	8000	8500	7500	6000	4250	3750	4250	4000	3150	3550	5000	7500	9000	8500	6000	2120	4000
	11 200	6000	7500	8000	7500	6300	5000	4500	5000	4750	4000	4500	5600	7500	8500	8000	6300	2650	4250
1 800 000	16 000	5300	7500	7500	6700	5300	3750	3350	3750	3550	2800	3000	4500	7100	8500	7500	5600	1800	3750
	11 200	5600	7100	7500	7100	5600	4750	4000	4500	4250	3750	4000	5300	7100	8000	7500	6000	2500	4000
	8 000	5300	6700	7500	6700	5300	4250	3750	4000	4000	3350	3550	4750	6700	8000	7100	5300	2240	3550
2 240 000	11 200	5300	6700	7500	6700	5300	4250	3750	4000	4000	3350	3550	4750	6700	8000	7100	5300	2240	3550
	8 000	5300	6300	6700	6300	5300	4750	4250	4500	4500	4000	4250	5000	6300	7100	6700	5600	2650	3750
2 800 000	11 200	4750	6300	7100	6300	5000	3750	3350	3750	3550	3000	3150	4250	6300	7500	6700	5000	1900	3350
	8 000	5000	6000	6300	6000	5000	4250	3750	4250	4000	3750	3750	4750	6000	6700	6300	5300	2360	3550
	11 200	4500	6000	6300	5600	4500	3350	3000	3350	3150	2650	2800	4000	6000	7100	6300	4750	1700	3150
3 550 000	8 000	4750	5600	6300	5600	4750	3750	3550	3750	3750	3150	3350	4250	5600	6300	6000	4750	2240	3150
	11 200	4000	5600	6000	5300	4250	3000	2650	3000	2800	2240	2500	3500	5300	6700	6000	4250	1500	3000
4 500 000	8 000	4250	5300	6000	5300	4500	3550	3150	3550	3350	3000	3150	4000	5300	6000	5600	4500	2000	3000
	11 200	3750	5300	5300	4750	3750	2650	2360	2650	2500	2000	2120	3150	5000	6300	5300	4000	1250	2650
5 600 000	8 000	4000	5000	5600	5000	4000	3150	3000	3150	3000	2650	2800	3500	5000	6000	5300	4250	1800	2800

max **90 000**

max **28 000**

max **56 000**

Values valid for solid low speed shaft⁴⁾ (see ch. 17).

Size **280**

280 000	31 500	112000	112000	112000	112000	112000	100000	90000	100000	95000	80000	85000	112000	112000	112000	112000	112000	35500	71000
	22 400	112000	112000	112000	112000	112000	112000	106000	112000	112000	95000	100000	112000	112000	112000	112000	112000	35500	71000
355 000	31 500	112000	112000	112000	112000	112000	90000	80000	90000	85000	71000	75000	106000	112000	112000	112000	112000	35500	71000
	22 400	112000	112000	112000	112000	112000	100000	95000	100000	100000	85000	90000	112000	112000	112000	112000	112000	35500	71000
450 000	31 500	106000	112000	112000	112000	112000	80000	71000	80000	75000	63000	67000	95000	112000	112000	112000	112000	35500	71000
	22 400	112000	112000	112000	112000	112000	95000	85000	90000	90000	80000	85000	106000	112000	112000	112000	112000	35500	71000
560 000	31 500	100000	112000	112000	112000	106000	75000	63000	71000	67000	53000	56000	85000	112000	112000	112000	106000	33500	67000
	22 400	106000	112000	112000	112000	106000	85000	75000	85000	80000	71000	75000	95000	112000	112000	112000	112000	35500	67000
710 000	31 500	90000	112000	112000	112000	95000	67000	56000	63000	60000	45000	50000	75000	112000	112000	112000	95000	28000	60000
	22 400	95000	112000	112000	112000	100000	80000	71000	75000	75000	63000	67000	90000	112000	112000	112000	106000	35500	63000
	16 000	100000	112000	112000	112000	100000	85000	80000	85000	85000	75000	80000	95000	112000	112000	112000	106000	35500	63000
900 000	31 500	80000	112000	112000	112000	80000	56000	50000	56000	50000	40000	42500	67000	112000	112000	112000	90000	23600	56000
	22 400	90000	112000	112000	112000	95000	71000	63000	67000	67000	56000	60000	80000	112000	112000	112000	95000	35500	60000
	16 000	95000	112000	112000	112000	95000	80000	75000	80000	75000	67000	71000	90000	112000	112000	112000	100000	35500	60000
1 120 000	22 400	85000	112000	112000	112000	85000	63000	56000	63000	60000	50000	53000	75000	106000	112000	112000	90000	31500	56000
	16 000	85000	106000	112000	106000	90000	75000	67000	71000	71000	63000	67000	80000	106000	112000	112000	90000	35500	56000
1 400 000	22 400	75000	106000	112000	100000	80000	56000	50000	56000	53000	42500	47500	67000	100000	112000	112000	80000	26500	50000
	16 000	75000	100000	112000	106000	80000	60000	53000	60000	63000	56000	60000	75000	100000	112000	106000	85000	35500	53000
1 800 000	22 400	71000	100000	106000	95000	75000	53000	45000	50000	47500	37500	40000	60000	95000	112000	106000	75000	23600	47500
	16 000	75000	95000	106000	95000	75000	60000	56000	60000	56000	50000	53000	67000	95000	112000	100000	80000	31500	47500
	11 200	67000	90000	100000	90000	71000	56000	50000	53000	53000	45000	47500	63000	85000	106000	95000	75000	28000	45000
2 240 000	16 000	63000	80000	95000	85000	67000	50000	45000	50000	47500	40000	42500	56000	80000	100000	90000	67000	25000	42500
	11 200	67000	80000	85000	80000	67000	56000	50000	56000	56000	47500	50000	63000	80000	90000	85000	67000	31500	42500
	8 000	60000	80000	85000	80000	60000	45000	40000	45000	42500	35500	37500	53000	75000	95000	85000	63000	22400	37500
3 550 000	16 000	60000	75000	80000	75000	63000	50000	47500	50000	50000	42500	45000	56000	75000	85000	80000	63000	28000	40000
	11 200	60000	75000	80000	75000	63000	50000	47500	50000	50000	42500	45000	56000	750					

16.2 - Axial loads F_{a2} [N] or radial loads F_{r2} [N] on low speed shaft end

Radial load applied on **opposite side to groove**

Sizes **320, 321**

$n_2 \cdot L_h$	min ⁻¹ ·h	N m	$F_{r2}^{1)2)3)}$												$F_{a2}^{1)}$					
			0	45	90	135	180	225	270	315	0	45	90	135	180	225	270	315		
280 000	45 000		132000	140000	140000	140000	140000	140000	132000	118000	140000	140000	132000	132000	140000	140000	140000	140000	90000	45000
	31 500		140000	140000	140000	140000	140000	140000	140000	132000	140000	140000	140000	140000	140000	140000	140000	140000	90000	45000
355 000	45 000		118000	140000	140000	140000	140000	140000	140000	118000	140000	132000	125000	125000	132000	132000	140000	140000	85000	45000
	31 500		132000	140000	140000	140000	140000	140000	132000	125000	140000	140000	132000	132000	140000	140000	140000	140000	90000	45000
450 000	45 000		106000	125000	140000	140000	140000	140000	140000	100000	140000	125000	112000	118000	112000	125000	140000	140000	80000	37500
	31 500		118000	140000	140000	140000	140000	140000	118000	100000	140000	132000	125000	125000	132000	140000	140000	140000	85000	45000
560 000	45 000		100000	112000	118000	140000	140000	125000	100000	90000	140000	118000	106000	106000	100000	106000	125000	140000	75000	31500
	31 500		112000	125000	140000	140000	140000	132000	112000	106000	140000	118000	112000	112000	125000	132000	140000	140000	75000	45000
710 000	45 000		90000	95000	106000	125000	132000	118000	90000	80000	132000	106000	95000	90000	85000	95000	112000	125000	67000	25000
	31 500		100000	118000	132000	140000	140000	118000	100000	95000	125000	112000	106000	106000	112000	118000	132000	140000	71000	42500
900 000	22 400		106000	118000	132000	140000	140000	118000	106000	100000	125000	118000	106000	112000	118000	125000	132000	132000	75000	45000
	45 000		80000	80000	95000	112000	125000	112000	85000	75000	118000	100000	85000	75000	71000	80000	95000	112000	63000	20000
1 120 000	31 500		90000	112000	125000	132000	132000	112000	95000	85000	118000	106000	95000	90000	106000	106000	118000	132000	67000	37500
	22 400		100000	112000	125000	132000	132000	112000	100000	95000	118000	106000	100000	100000	112000	118000	125000	125000	67000	45000
1 400 000	31 500		85000	100000	112000	125000	125000	106000	85000	80000	112000	95000	90000	90000	95000	100000	106000	118000	60000	31500
	22 400		90000	106000	118000	125000	118000	106000	90000	85000	112000	100000	95000	95000	100000	112000	118000	118000	63000	42500
1 800 000	31 500		75000	90000	95000	112000	118000	95000	80000	71000	106000	90000	80000	80000	80000	85000	95000	106000	56000	26500
	22 400		85000	95000	112000	118000	112000	100000	85000	80000	100000	90000	85000	85000	95000	106000	112000	112000	60000	37500
2 240 000	31 500		71000	80000	85000	100000	106000	90000	71000	63000	100000	80000	75000	75000	71000	75000	90000	100000	53000	22400
	22 400		75000	90000	106000	112000	106000	90000	80000	71000	95000	85000	80000	80000	85000	95000	100000	106000	53000	33500
2 800 000	22 400		63000	75000	85000	95000	95000	80000	67000	60000	85000	75000	67000	67000	75000	75000	85000	95000	47500	25000
	16 000		71000	80000	90000	95000	90000	80000	71000	67000	85000	75000	71000	71000	75000	85000	90000	90000	47500	33500
3 550 000	22 400		60000	71000	75000	85000	90000	75000	60000	56000	80000	67000	63000	63000	63000	67000	75000	85000	42500	22400
	16 000		63000	75000	85000	90000	85000	75000	67000	63000	80000	71000	67000	67000	71000	80000	85000	85000	45000	30000
4 500 000	22 400		56000	63000	67000	75000	85000	67000	56000	50000	75000	63000	56000	56000	60000	60000	67000	75000	40000	19000
	16 000		60000	67000	80000	85000	80000	71000	60000	56000	75000	67000	60000	63000	67000	75000	80000	80000	42500	26500
5 600 000	22 400		50000	56000	60000	71000	75000	63000	50000	45000	67000	56000	53000	53000	50000	53000	63000	67000	37500	16000
	16 000		56000	63000	75000	80000	75000	63000	56000	53000	67000	60000	56000	56000	63000	67000	71000	75000	37500	23600

Values valid for solid low speed shaft⁴⁾ (see ch. 17).

max **140 000**

max **90 000**

max **45 000**

Sizes **360**

280 000	63 000	180000	180000	180000	180000	180000	180000	180000	180000	170000	180000	180000	180000	180000	180000	180000	180000	180000	112000	56000
	45 000	180000	180000	180000	180000	180000	180000	180000	180000	180000	180000	180000	180000	180000	180000	180000	180000	180000	112000	56000
355 000	63 000	160000	180000	180000	180000	180000	180000	180000	160000	150000	180000	180000	170000	170000	180000	180000	180000	180000	112000	56000
	45 000	170000	180000	180000	180000	180000	180000	180000	180000	170000	180000	180000	180000	180000	180000	180000	180000	180000	112000	56000
450 000	63 000	150000	180000	180000	180000	180000	180000	180000	150000	140000	180000	170000	150000	160000	170000	180000	180000	180000	112000	56000
	45 000	160000	180000	180000	180000	180000	180000	180000	160000	150000	180000	180000	160000	170000	180000	180000	180000	180000	112000	56000
560 000	63 000	132000	160000	180000	180000	180000	170000	140000	125000	180000	160000	140000	140000	140000	160000	180000	180000	106000	50000	
	45 000	150000	170000	180000	180000	180000	180000	150000	140000	180000	160000	150000	150000	170000	180000	180000	180000	106000	56000	
710 000	63 000	125000	140000	160000	180000	180000	160000	125000	112000	170000	140000	132000	132000	125000	140000	160000	180000	95000	42500	
	45 000	132000	160000	180000	180000	180000	160000	140000	125000	170000	150000	140000	140000	150000	170000	180000	180000	100000	56000	
900 000	31 500	140000	160000	180000	180000	180000	160000	150000	140000	170000	160000	150000	150000	160000	170000	180000	180000	106000	56000	
	63 000	112000	125000	140000	160000	180000	150000	112000	100000	160000	132000	118000	118000	112000	125000	140000	160000	90000	35500	
1 120 000	45 000	125000	150000	170000	180000	180000	150000	125000	118000	160000	140000	132000	132000	140000	150000	170000	180000	95000	56000	
	31 500	132000	150000	170000	180000	170000	150000	132000	132000	160000	140000	140000	140000	150000	160000	170000	170000	95000	56000	
1 400 000	45 000	112000	140000	160000	170000	170000	140000	118000	106000	150000	132000	118000	118000	132000	140000	150000	170000	85000	47500	
	31 500	125000	140000	160000	170000	170000	160000	140000	125000	118000	150000	132000	125000	125000	140000	150000	160000	160000	90000	56000
1 800 000	45 000	106000	125000	140000	160000	160000	132000	106000	95000	140000	118000	106000	112000	118000	125000	140000	150000	80000	40000	
	31 500	112000	132000	150000	160000	150000	132000	118000	106000	140000	125000	118000	118000	125000	140000	150000	150000	80000	56000	
2 240 000	45 000	95000	112000	125000	140000	150000	125000	95000	90000	132000	112000	100000	100000	100000	112000	125000	140000	75000	35500	
	31 500	106000	125000	140000	150000	140000	125000	106000	100000	132000	118000	106000	106000	118000	132000	140000	140000	75000	50000	
2 800 000	31 500	90000	106000	125000	132000	125000	106000	90000	85000	112000	100000	90000	90000	100000	112000	125000	125000	67000	40000	
	22 400	95000	106000	125000	132000	125000	106000	95000	90000	112000	100000	95000	95000	106000	112000	125000	118000	67000	50000	
3 550 000	31 500	80000	95000	112000	125000	118000	100000	80000												

16.2 - Axial loads F_{a2} [N] or radial loads F_{r2} [N] on low speed shaft end

Radial load applied on **groove side** •

Sizes **320, 321**

$n_2 \cdot L_h$		$F_{r2}^{1) 2) 3)}$												$F_{a2}^{1)}$					
min ⁻¹ ·h	N m	0	45	90	135	180	225	270	315	0	45	90	135	180	225	270	315		
280 000	45 000	106000	140000	140000	140000	140000	125000	90000	85000	140000	106000	100000	112000	140000	140000	140000	140000	90000	45000
	31 500	125000	140000	140000	140000	140000	140000	112000	106000	140000	125000	118000	132000	140000	140000	140000	140000	90000	45000
355 000	45 000	95000	140000	140000	140000	140000	118000	80000	75000	132000	95000	85000	100000	140000	140000	140000	140000	85000	45000
	31 500	112000	140000	140000	140000	140000	132000	100000	95000	140000	112000	106000	118000	140000	140000	140000	140000	90000	45000
450 000	45 000	80000	132000	140000	140000	140000	106000	71000	63000	118000	85000	75000	90000	132000	140000	140000	140000	80000	37500
	31 500	106000	140000	140000	140000	140000	118000	95000	85000	132000	106000	95000	106000	140000	140000	140000	140000	85000	45000
560 000	45 000	71000	125000	140000	140000	140000	90000	60000	53000	112000	75000	67000	80000	118000	140000	140000	140000	75000	31500
	31 500	95000	132000	140000	140000	140000	112000	85000	75000	118000	95000	85000	95000	125000	140000	140000	140000	75000	45000
710 000	45 000	60000	112000	140000	140000	140000	80000	50000	45000	100000	67000	56000	71000	100000	140000	140000	140000	67000	25000
	31 500	85000	118000	140000	140000	140000	100000	75000	67000	112000	85000	75000	90000	118000	140000	140000	140000	71000	42500
900 000	22 400	95000	125000	140000	140000	140000	112000	90000	85000	118000	95000	90000	100000	118000	140000	140000	140000	75000	45000
	45 000	50000	100000	140000	140000	140000	71000	42500	37500	90000	56000	50000	63000	90000	125000	140000	140000	63000	20000
1 120 000	31 500	75000	112000	140000	140000	140000	132000	90000	67000	100000	75000	71000	80000	106000	140000	140000	140000	67000	37500
	22 400	90000	118000	140000	140000	132000	100000	80000	75000	106000	90000	80000	90000	112000	140000	140000	132000	67000	45000
1 400 000	31 500	67000	106000	140000	140000	125000	80000	56000	53000	95000	67000	63000	71000	100000	132000	140000	132000	60000	31500
	22 400	80000	106000	140000	140000	125000	90000	71000	67000	100000	80000	75000	85000	106000	132000	140000	125000	63000	42500
1 800 000	31 500	56000	95000	132000	140000	118000	75000	50000	45000	85000	60000	53000	63000	90000	118000	132000	125000	56000	26500
	22 400	71000	100000	132000	140000	118000	85000	63000	60000	90000	71000	67000	75000	95000	118000	132000	118000	60000	37500
2 240 000	31 500	50000	85000	125000	140000	112000	67000	42500	40000	80000	53000	47500	56000	85000	106000	125000	118000	53000	22400
	22 400	67000	90000	125000	132000	112000	75000	56000	56000	85000	67000	60000	67000	90000	118000	125000	112000	53000	33500
2 800 000	22 400	60000	85000	118000	125000	100000	71000	53000	50000	80000	60000	56000	63000	85000	106000	118000	106000	50000	30000
	16 000	67000	90000	106000	112000	100000	75000	63000	60000	80000	67000	63000	71000	85000	100000	112000	100000	53000	37500
3 550 000	22 400	53000	80000	112000	118000	95000	63000	45000	42500	71000	53000	50000	56000	75000	100000	112000	100000	47500	25000
	16 000	63000	80000	100000	106000	95000	71000	56000	53000	75000	63000	60000	63000	80000	95000	106000	95000	47500	33500
4 500 000	22 400	47500	71000	100000	112000	90000	56000	40000	37500	67000	47500	42500	50000	71000	90000	100000	90000	42500	22400
	16 000	56000	75000	95000	100000	85000	67000	50000	50000	71000	56000	53000	60000	75000	90000	100000	90000	45000	30000
5 600 000	22 400	40000	67000	95000	106000	85000	53000	35000	31500	60000	42500	37500	45000	67000	85000	95000	85000	40000	19000
	16 000	53000	71000	90000	95000	80000	60000	47500	45000	67000	53000	47500	53000	67000	85000	95000	85000	42500	26500
	22 400	35500	60000	85000	95000	80000	47500	30000	28000	56000	37500	33500	40000	60000	75000	85000	80000	37500	16000
	16 000	47500	67000	85000	90000	75000	56000	42500	40000	60000	47500	42500	50000	63000	80000	90000	80000	37500	23600


Values valid for solid low speed shaft⁴⁾ (see ch. 17). max **140 000** max **90 000** max **45 000**

Sizes **360**

280 000	63 000	150000	180000	180000	180000	180000	180000	180000	132000	125000	180000	150000	140000	160000	180000	180000	180000	180000	112000	56000
	45 000	170000	180000	180000	180000	180000	180000	180000	160000	150000	180000	170000	160000	180000	180000	180000	180000	180000	112000	56000
355 000	63 000	132000	180000	180000	180000	180000	180000	160000	118000	106000	180000	140000	125000	140000	180000	180000	180000	180000	112000	56000
	45 000	160000	180000	180000	180000	180000	180000	140000	132000	180000	160000	150000	160000	180000	180000	180000	180000	112000	56000	
450 000	63 000	118000	180000	180000	180000	180000	150000	106000	95000	170000	125000	112000	125000	180000	180000	180000	180000	112000	56000	
	45 000	140000	180000	180000	180000	180000	170000	132000	125000	180000	140000	132000	150000	180000	180000	180000	180000	112000	56000	
560 000	63 000	106000	170000	180000	180000	180000	132000	90000	80000	150000	112000	100000	112000	160000	180000	180000	180000	106000	50000	
	45 000	132000	180000	180000	180000	180000	150000	118000	112000	170000	132000	118000	132000	170000	180000	180000	180000	106000	56000	
710 000	63 000	90000	150000	180000	180000	180000	118000	75000	71000	140000	100000	85000	100000	150000	180000	180000	180000	95000	42500	
	45 000	118000	160000	180000	180000	180000	140000	106000	95000	150000	118000	106000	125000	160000	180000	180000	180000	100000	56000	
900 000	31 500	132000	170000	180000	180000	180000	150000	125000	118000	160000	132000	125000	132000	160000	180000	180000	180000	106000	56000	
	63 000	75000	140000	180000	180000	180000	106000	67000	60000	132000	85000	75000	90000	132000	170000	180000	180000	90000	35500	
1 120 000	45 000	106000	150000	180000	180000	180000	125000	95000	85000	140000	106000	106000	112000	150000	180000	180000	180000	95000	56000	
	31 500	125000	150000	180000	180000	180000	140000	112000	106000	150000	125000	118000	125000	150000	180000	180000	180000	95000	56000	
1 400 000	45 000	95000	140000	180000	180000	170000	118000	85000	75000	132000	100000	90000	100000	132000	180000	180000	180000	85000	47500	
	31 500	112000	140000	180000	180000	170000	132000	100000	95000	140000	112000	106000	118000	140000	170000	180000	170000	90000	56000	
1 800 000	45 000	80000	125000	180000	180000	160000	106000	71000	67000	118000	85000	75000	90000	125000	160000	180000	170000	80000	40000	
	31 500	100000	132000	170000	180000	160000	118000	90000	85000	125000	100000	95000	106000	132000	160000	170000	160000	80000	56000	
2 240 000	45 000	71000	118000	170000	180000	150000	95000	63000	56000	112000	80000	67000	80000	118000	150000	170000	160000	75000	35500	
	31 500	90000	125000	160000	170000	150000	106000	85000	75000	118000	95000	85000	95000	118000	150000	160000	150000	75000	50000	
2 800 000	31 500	85000	118000	150000	160000	140000	100000	75000	71000	106000	85000	80000	85000	112000	140000	160000	140000	71000	45000	
	22 400	95000	118000	140000	150000	132000	106000	85000	112000	95000	90000</									

This page is intentionally left blank.

17 – Accessories and non-standard designs

Overview.....	322
(1) Low speed shaft (sizes 40 ... 360).....	323
(2) Solid low speed shaft (sizes 100 ... 360).....	324
(3) Oversized hollow low speed shaft (sizes 40, 50, 64, 100).....	324
(4) Hollow low speed shaft with front holes (sizes 250 ... 360).....	325
(5) Stepped hollow low speed shaft (sizes 64 ... 360).....	325
(6) Hollow low speed shaft with shrink disc (sizes 40 ... 360).....	326
(7) Protection for hollow low speed shaft with shrink disc (sizes 140 ... 360).....	328
(8) Flange (sizes 40 ... 360).....	329
(9) Backstop device (sizes 50 ... 360).....	330
(10) Reaction bolt using disc spring (sizes 40 ... 360).....	331
(11) Kit using reaction disc springs (sizes 40 ... 125).....	332
(12) Reaction bolt using disc springs with bracket (sizes 63 ... 225).....	333
(13) Rigid or flexible torque arm using bracket (sizes 63 ... 225).....	334
(14) Torque arm (sizes 40 ... 81).....	335
(15) Fan cooling (sizes 125 ... 360).....	336
(16) Water cooling by coil (sizes 125 ... 360).....	338
(17) Cooling by internal exchanger (sizes 140 ... 360).....	338
(18) Additional oversized housing hole for oil pipe cooling (sizes 160 ... 360).....	339
(19) Bearing lubrication pump (sizes 100 ... 360).....	340
(20) Hollow low speed shaft washer (sizes 40 ... 360).....	340
(21) Hollow low speed shaft washer with locking rings or bushing (sizes 40 ... 360).....	340
(22) Hollow low speed shaft protection (sizes 40 ... 360).....	340
(23) Design for agitators, aerators, fans (sizes 125 ... 360).....	341
(24) Optional paint (sizes 40 ... 360).....	342
(25) Heater (sizes 125 ... 360).....	344
(26) Seals on high and low speed shafts (sizes 125 ... 360).....	345
(27) Magnetic tap (sizes 125 ... 360).....	346
(28) Oil drain tap (sizes 125 ... 360).....	346
(29) Independent cooling unit.....	347
(30) Oil temperature probe (sizes 125 ... 360).....	349
(31) Oil temperature probe with terminal box and amperometric transducer 4 + 20 mA (sizes 125 ... 360).....	350
(32) Bearing temperature probe (sizes 125 ... 360).....	351
(33) Bearing temperature probe with terminal box and amperometric transducer 4 + 20 mA (sizes 125 ... 360).....	352
(34) Bi-metal type thermostat (sizes 100 ... 360).....	353
(35) Oil level switch with float (sizes 125 ... 360).....	353
(36) Oil optical probe (sizes 125 ... 360).....	353
(37)  Gear reducer design ATEX II 2 GD and 3 GD (sizes 40 ... 360).....	354
(38) NEMA C-Face adapter (IEC motor sizes 63 ... 225).....	355
Miscellaneous.....	357

ATTENTION. The simultaneous presence on the same gear reducer of two or more accessories or non-standard designs is not always possible: consult us for verification.

Overview

Ref.	Description	Size	Designation
(1)	Low speed shaft	40 ... 360 40 ... 360	standard low speed shaft double extension low speed shaft
(2)	Solid low speed shaft	100 ... 360	solid low speed shaft on opposite groove side solid low speed shaft on groove side solid double extension low speed shaft
(3)	Oversized hollow low speed shaft	40, 50, 64, 100	oversized hollow low speed shaft
(4)	Hollow low speed shaft with front holes	250 ... 360	hollow low speed shaft with front holes
(5)	Stepped hollow low speed shaft	64 ... 360	stepped hollow low speed shaft
(6)	Hollow low speed shaft with shrink disc	40 ... 125 140 ... 360 140 ... 360	hollow low speed shaft with shrink disc hollow low speed shaft with shrink disc on machine side hollow low speed shaft with shrink disc on machine opp. side
(7)	Protection for hollow low speed shaft with shrink disc	140 ... 360	protection for shrink disc
(8)	Flange	40 ... 360 63 ... 81	flange B5 flange B5 type B
(9)	Backstop device	50 ... 360	backstop device free rotation white arrow backstop device free rotation black arrow
(10)	Reaction bolt using disc springs	40 ... 360	reaction bolt using disc springs
(11)	Kit using disc springs	40 ... 125	kit using disc springs
(12)	Reaction bolt using disc springs and bracket	63 ... 225	reaction bolt using disc springs and bracket
(13)	Rigid or flexible torque arm using bracket	63 ... 225	rigid torque arm using bracket flexible torque arm using bracket
(14)	Torque arm	40 ... 81	torque arm
(15)	Fan cooling	125 ... 360	fan cooling fan cooling pos. 1 fan cooling pos. 2 fan cooling pos. 1 and 2
(16)	Water cooling by coil	125 ... 360	water cooling by coil water cooling by coil and thermostatic valve
(17)	Independent cooling unit with internal heat exchanger	140 ... 360	Independent cooling unit with internal heat exchanger
(18)	Additional oversized housing hole with for cooling oil pipe	160 ... 360	additional housing hole with oversized diameter
(19)	Bearing lubrication pump	100 ... 360 100 ... 360	bearing lubrication pump high speed shaft lubrication device
(20)	Hollow low speed shaft washer	40 ... 360	hollow low speed shaft washer
(21)	Hollow low speed shaft washer with locking rings or bushing	40 ... 360	hollow low speed shaft washer with locking rings or bushing
(22)	Hollow low speed shaft protection cap	40 ... 360	hollow low speed shaft protection cap
(23)	Design for agitators, aerators, fans	125 ... 360	design for agitators
(24)	Optional paint	40 ... 360	optional paint 1HRAL 5010 optional paint 2HRAL 5010 optional paint 3HRAL 5010 optional paint 2IRAL 5010 optional paint 2LRAL 5010
(25)	Heater	125 ... 360	heater
(26)	Seals on high and low speed shafts	125 ... 360	
(27)	Magnetic plug	125 ... 360	oil drain magnetic plug
(28)	Oil drain tap	125 ... 360	oil drain tap
(29)	Independent cooling unit	-	independent cooling unit oil-air UR O/A ... independent cooling unit oil-water UR O/W ... independent cooling unit oil-air UR O/A ... and bearing and/or gear forced lubrication ... independent cooling unit oil-water UR O/W ... and bearing and/or gear forced lubrication ...
(30)	Oil temperature probe	125 ... 360	oil temperature probe
(31)	Oil temperature probe with terminal box and amperometric transducer	200 ... 360	oil temperature probe with amperometric transducer
(32)	Bearing temperature probe	200 ... 360	bearing temperature probe
(33)	Bearing temperature probe with terminal box and amperometric transducer	200 ... 360	bearing temperature probe with amperometric transducer
(34)	Bi-metal type thermostat	100 ... 360	bi-metal type thermostat
(35)	Oil level switch with float	125 ... 360	oil level switch with float
(36)	Oil optical probe	125 ... 360	oil optical probe
(37)	Gear reducer design ATEX II 2 GD and 3 GD	40 ... 360 40 ... 360 125 ... 360	design ATEX II 3 GD T4 design ATEX II 2 GD T4 monthly control design ATEX II 2 GD T4 quarterly control
(38)	NEMA C-Face adapter	IEC 63 ... 225	MPN... (see table)

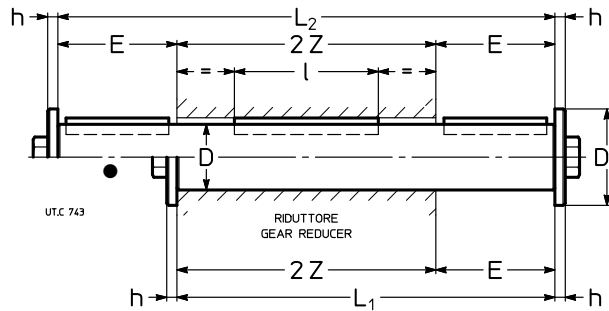
(1) Low speed shaft (sizes 40 ... 360)

This accessory is mounted on the gear reducer. The standard mounting position is with shaft and on opposite side to groove. For opposite mounting position, when possible (for some helical gearmotors MR 2I 40 ... 81 and MR 3I 40 ... 125 (model 2), the low speed shaft cannot overhang from motor side: consult us), state after the designation «groove side assembly».

The external diameter of the element or of the spacer abutting with the gear reducer must be $(1,25 \div 1,4) \cdot D$; hole tolerance D H7 ... K7.

Other dimensions at ch. 6 «High and low speed shaft end».

Supplementary description when ordering by **designation: standard** or **double extension low speed shaft**.



● Position of the reference groove (see ch. 16) for radial load verification.

Size	D ∅	E	D ₁ ∅	h	L ₁	L ₂	l	2 Z	Screw UNI 5737-88	kg	
										Standard	Double ext.
40	19 h7	30	28	4	122	152	50	92	M 6×20	0,3	0,4
50	24 h7	36 ³⁾	35	5	142	178	63	106	M 8×25	0,6	0,7
63	30 h7	58 ³⁾	47	5	184	242	63	126	M 10×30	1	1,3
64	32 h7	58 ³⁾	47	5	184	242	70	126	M 10×30	1,2	1,5
80	38 h7	58	47	5	208	266	90	150	M 10×30	1,9	2,4
81	40 h7	58	47	5	208	266	90	150	M 10×30	2,1	2,7
100	48 h7	82	57	6	262	344	110	180	M 12×40	3,7	4,9
125	60 h7	97 ¹⁾	82	8	317	422	140	220	M 16×45	7	9,4
140	70 h7	105	82	8	355	460	180	250	M 16×45	11	14
160	80 h7	130	102	10	402	532	200	272	M 20×60	18	24
180	90 h7	130	102	10	430	560	200	300	M 20×60	21	28
200	100 j6	165	135	12	499	664	250	334	M 24×60	36	46
225	110 j6	165	135	12	525	690	250	360	M 24×60	39	51
250	125 j6	200 ²⁾	160	16	612	812	320	412	M 30×70	62	83
280	140 j6	200	160	16	644	844	320	444	M 30×70	82	106
320, 321	160 j6	240	205	20	748	988	400	508	M 36×90	125	165
360	180 j6	240	205	20	786	1026	400	546	M 36×90	166	216

1) Value **not** to standard; with double extension low speed shaft E = 101.

2) Value **not** to standard.

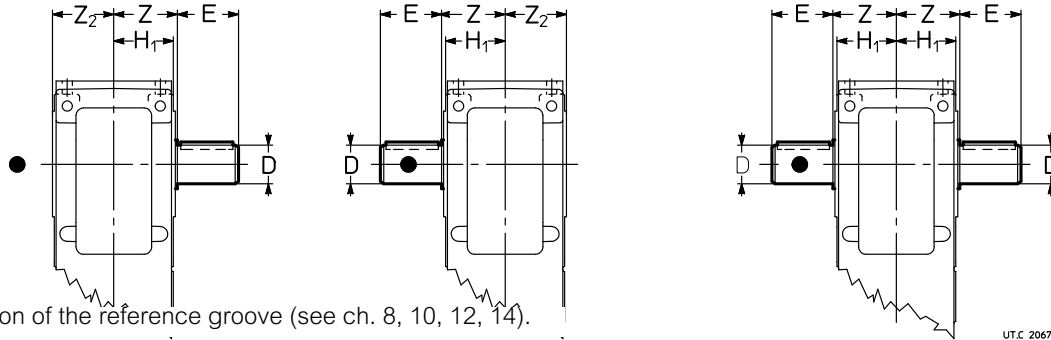
3) For MR 3I the dimension E increases of 1.

(2) Solid low speed shaft (sizes 100 ... 360)

Gear reducers and gearmotors sizes 100 ... 360 can be supplied with solid low speed shaft overhanging from groove opposite side, from groove side or from double extension. For sizes 225, 280, and 360 the design foresees oversized bearings in order to allow high radial loads stated on ch. 16. In some cases with sizes MR 2I 40 ... 81 and MR 3I 40 ... 125 the low speed shaft cannot be foreseen on the motor size (excluding the «long» model 4).

Other dimensions at ch. 6 «High and low speed shaft end».

1) As alternative to the (not double extension) solid low speed shaft, for sizes 64 ... 81 it is possible to supply the standard low speed shaft axially fastened; the fastening is realized with retaining ring and the dimension E (see ch. 17 (1)) increases by 8 mm: consult us.



● Position of the reference groove (see ch. 8, 10, 12, 14).

UT.C. 2067

Size	D ∅ k6	E	Z	Z ₂	H ₁
100	48	82	90	88	84,5
125	60	105	110	108	103,5
140	70	105	125	122	103,5
160	80	130	136	133	128,5
180	90	130	150	148	128,5
200	100	165	167	165	158
225	110	165	180	177	158
250	125	200 ¹⁾	206	204	195
280	140	200	222	219	195
320, 321	160	240	254	251	241
360	180	240	273	270	241

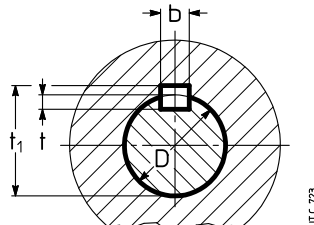
1) Value **not to standard**.

Supplementary description when ordering by **designation: solid low speed shaft opposite to groove side or groove side or double extension**.

(3) Oversized hollow low speed shaft (sizes 40, 50, 64, 100)

The gear reducers and gearmotors sizes 40, 50, 64 and 100 can be supplied with oversized hollow low speed shaft; dimensions are according to following table; hollow low speed shaft washer is not available.

Supplementary description when ordering by **designation: oversized hollow low speed shaft**.



UT.C. 723

Size	D ∅ H7	Parallel key		Keyway	
		b × h × l*	b	t	t ₁
40	20	6 × 6 × 50	6	4,5 ¹⁾	22,2 ¹⁾
50	25	8 × 7 × 63	8	4,5 ¹⁾	27,7 ¹⁾
64	35 ²⁾	10 × 8 × 90	10	6,5 ¹⁾	36,8 ¹⁾
100	50	14 × 9 × 125	14	6,5 ¹⁾	52,8 ¹⁾

* Recommended length.

1) Values **not to standard**.

2) Without retaining ring groove.

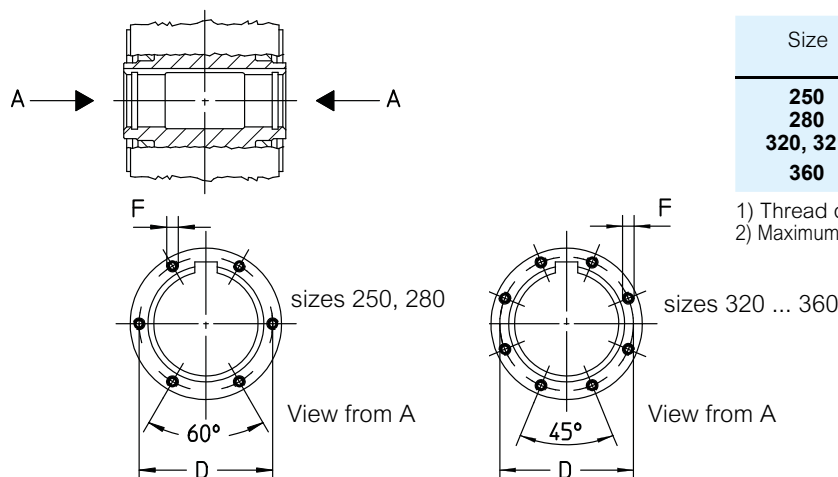
(4) Hollow low speed shaft with front holes (sizes 250 ... 360)

Hollow low speed shaft, sizes 250 ... 360, including tapped holes. The dimensions of tapped holes and the maximum axial force deriving from relevant screws class 8.8 are stated in the table.

ATTENTION. This axial load can be insufficient to assure the disassembly of gear reducer from machine shaft end. In fact, according to the selected coupling tolerances to realize the machine shaft end and according to the coupling status – determined by installation environment and duty cycle (e.g.: alternate cycles, with overloads, etc.) – the disassembly operation could require an extraction force even much higher than the thread capacity that could be damaged irretrievably.

In these cases, it is necessary to adopt an extraction system through hollow low speed shaft bushing (see ch. 17 (20)).

Supplementary description when ordering by **designation: hollow low speed shaft with front holes.**



Size	D Ø	F ¹⁾		α [°]	F _{a max} ²⁾ [kN]
250	144	M8	nr.6	60	99
280	162	M10	nr.6	60	157
320, 321	182	M10	nr.8	45	209
360	212	M12	nr.8	45	306

1) Thread depth 2·F.

2) Maximum total axial load relevant to bolts class 8.8.

(5) Stepped hollow low speed shaft (sizes 64 ... 360)

Gear reducers and gearmotors sizes 64 ... 360 can be also supplied with stepped hollow low speed shaft always with keyway; this design **facilitates** installation and removal and **affords a notable increase** in rigidity and resistance to bending and torsional stresses at the shaft end of the driven machine.

Hole with Ø D₂ is always **opposite to groove side**.

Important: the shoulder diameter of the driven machine shaft end abutting with the gear reducer must be at least (1,18 ÷ 1,25) · D.

Supplementary description when ordering by **designation: stepped hollow low speed shaft.**



Shaft end of driven machine for fitting with key

Shaft end of driven machine for fitting with key and locking bushing

Size	D Ø	D ₂ Ø	D ₃ Ø H7/h6	E 1)	E ₁	E ₂ 1)	E ₃	l	m	n	r
64	32	35	27	110	63	28	10	70	28	6	1,5
80	38	40	32	134	75	35	12	90	30	6	1,5
81	40	42	34	134	72	38	12	90	30	6	1,5
100	48	52	41	162	92	41	14	110	35	7	2
125	60	65	52	201	118	47	16	140	40	7	2
140	70	75	62	228	135	52	16	180	35	8	2
160	80	85	70	250	147	57	21	200	36	8	3
180	90	100	80	274	162	63	21	200	50	9	3
200	100	110	88	308	188	66	25	250	42	10	3
225	110	120	98	331	195	75	25	250	55	10	3,5
250	125	135	110	380	228	84	32	320	40	11	4
280	140	150	125	410	238	94	32	320	60	12	4
320, 321	160	170	140	471	276	107	43	400	45	13	5
360	180	195	160	506	293	116	43	400	72	14	5

● Position of the reference groove (see ch. 8, 10, 12, 14).

1) In presence of «Labyrinth seal and low speed shaft greaser» (ch. 17 (26)), it is necessary to increase the E (E₂) dimension by A quantity stated in the table on ch. 17 (26).

(6) Hollow low speed shaft with shrink disc (sizes 40 ... 360)

Sizes 40 ... 125

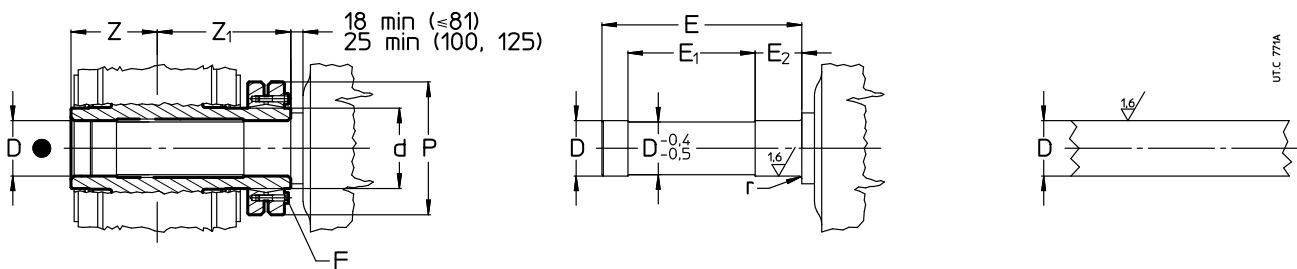
Gear reducers and gearmotors sizes 40 ... 125 can be supplied with hollow low speed shaft with shrink disc (see fig. a) – **always opposite side to groove** i.e. opposite side to motor for helical gearmotors – and not rotating protection cap on groove side (excluding input side of helical gear reducers and gearmotors sizes 40, 50 and MR 3I 63).

This design affords a notable increase in rigidity of keying and **reduces** the deformations of shaft end of driven machine (high mass **D**), also permits couplings with passing through shafts (only for bevel helical or long model see fig. c) eventually **avoiding**, when interposed between gear reducer and machine, the necessity of safety guards on the unit itself.

For the shaft end of driven machine on which gear reducer hollow low speed shaft (see fig. b) must be keyed, it is recommended to respect the dimensions stated in the table.

Important: the shoulder diameter of the driven machine shaft end abutting with the gear reducer must be at least $(1,18 \div 1,25) \cdot D$.

Supplementary description when ordering by **designation: hollow low speed shaft with shrink disc**



a) Hollow low speed shaft with shrink disc and shaft end of driven machine

b) Shaft end of driven machine

c) Through shaft of driven machine

Size	D Ø H7/j6, h6 ¹⁾	E 4)	E ₁	E ₂ 4)	F UNI 5737-88 cl. 10.9	M N m 2)	d	P	r	Z	Z ₁	M _{2SD} N m 3)
40	20	99,5	65	25	M5 n.6	4	24	50	0,5	46	69	280
50	25	116,5	77	30	M5 n.7	4	30	60	0,5	53	79	400
63	30	135,5	86	34	M6 n.5	12	38	72	0,5	63	91	960
64	35	140	86	36	M6 n.7	12	44	80	1,5	63	93	1 400
80, 81	40	166	103	39,5	M6 n.8	12	50	90	1,5	75	107	1 800
100	50	197	122	46,5	M8 n.6	30	62	110	2,5	90	125	3 000
125	65	239	148	55	M8 n.8	30	80	145	2,5	110	148	5 200

- 1) Tolerance g6 also possible for shaft end opposite to shrink disc.
 - 2) Tightening torque.
 - 3) Maximum values for shrink disc.
 - 4) In presence of «Labyrinth seal and low speed shaft grease» (ch. 17 (26)), in case of mounting of the shrink disc on machine opposite side, it is necessary to increase the E (E₂) dimension by A quantity stated in the table on ch. 17 (26).
 - Position of the reference groove (see ch. 8,10, 12,14).
- For design with labyrinth seals at low speed shaft, the dimensions E, E₁, E₂ are changing: please consult us.

For sizes 80 ... 125 and train of gears CI and ICI, it is possible to obtain the **shrink disc opposite side to machine** by selecting a suitable mounting position and design (direction of rotation). A protection for the shrink disc is supplied as standard, see page 328.

Sizes 140 ... 360: side to machine

Gear reducers and gearmotors sizes 140 ... 360 can be supplied with **stepped** hollow low speed shaft with shrink disc **side to machine** – that is **opposite side to groove**, i.e. opposite side to motor for helical gearmotors – and not rotating protection cap on groove side.

This design **facilitates** installation and removal and **affords a notable increase** in rigidity of keying and **reduces** the deformations of machine shaft end, avoids possible problems of interference between shrink disc and motor flange (for helical gear units) and may **avoid** the use of safety guards on the unit itself. Moreover, since deformability of keying area is greater ($d - D_2 < d - D$) and friction area acts on a greater diameter ($D_2 > D$), maximum transmissible torque increases by 18 ÷ 25% compared to the solution with shrink disc on opposite side to machine.

For a further axial fastening and in order to facilitate the assembling and disassembling operations (see ch. 18), it is possible to make use of hollow low speed shaft washer with retaining ring and bolt for axial fastening (on request).

For the shaft end of driven machine on which gear reducer stepped hollow low speed shaft must be keyed, it is possible to adopt both «long» and «short» shaft end of driven machine: dimensions as per table (for the other dimensions see ch. 18).

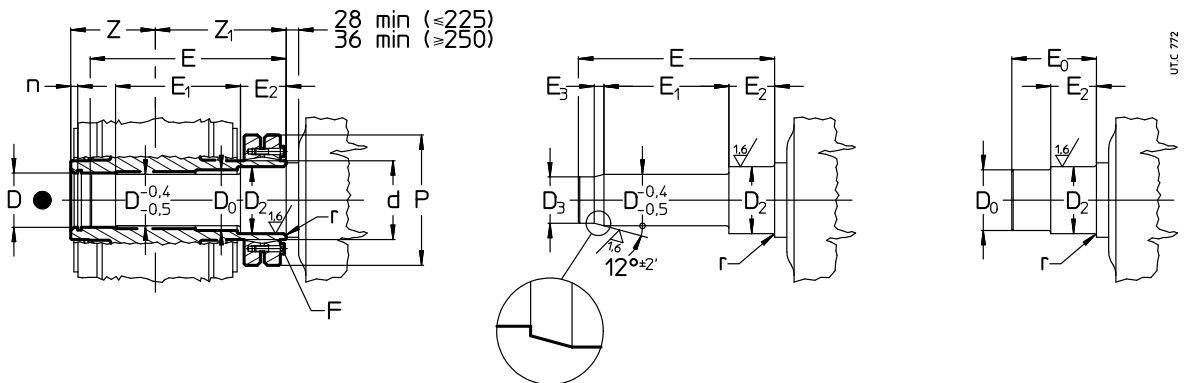
In the first case (fig. c), the assembly operations are facilitated, acting the «long» pivot as a guide. The possible application of a locking bushing with hollow low speed shaft washer (fig. d), reducing the fretting corrosion at the very least, especially facilitates the disassembling operations by giving at the same time a help in the torque transmission.

In the second case (fig. e), the reduced axial dimension of the «short» shaft end of driven machine, limits the mounting and removing overall dimensions at the very least.

In both cases the rigidity and the resistance to bending and torsional stresses at the shaft and of driven machine do not change, since the only surface through which torque transmission occurs is the D_2 one.

Important: the shoulder diameter of the driven machine shaft end abutting with the gear reducer must be at least $(1,18 \div 1,25) \cdot D$.

Supplementary description when ordering by **designation: hollow low speed shaft with shrink disc, on machine side.**



c) Stepped hollow low speed shaft with shrink disc and «long» machine shaft end

d) «Long» shaft end of driven machine also for locking bushing

e) «Short» shaft end of driven machine

Size	D Ø	D ₂ Ø	D ₃ Ø H7/h6	D ₀ Ø H7/h6	E	E ₀	E ₁	E ₂	E ₃	F	M N m 1)	d Ø	P Ø	n	r	Z	Z ₁	M _{2 SD} N m 2)
										UNI 5737-88 cl. 10.9								
140	70	75	62	72	273	99	180	52	16	M 8 n. 10	30	90	155	8	2	125	170	9 700
160	80	85	70	82	307	114	199	62	21	M 10 n. 9	60	105	185	8	3	136	193	14 500
180	90	100	80	95	335	124	221	65	21	M 10 n. 12	60	120	215	9	3	150	211	22 500
200	100	110	88	105	377	135	251	72	25	M 12 n. 10	100	130	230	10	3	167	236	32 500
225	110	120	98	115	404	150	265	78	25	M 12 n. 12	100	140	265	10	3,5	180	253	45 400
250	125	135	110	130	461	165	307	86	32	M 16 n. 8	250	160	290	11	4	206	287	62 900
280	140	150	125	145	506	185	324	104	32	M 16 n. 10	250	180	330	12	4	222	318	85 600
320, 321	160	170	140	165	567	203	375	104	43	M 16 n. 12	250	200	350	13	5	254	350	121 900
360	180	195	160	190	621	231	400	124	43	M 16 n. 15	250	230	370	14	5	273	388	172 000

1) Tightening torque.

2) Max transmissible torque relevant to shrink disc; in case of «Short shaft end» (fig. e), consult us.

● Position of the reference groove (see ch. 6).

For design with labyrinth seals at low speed shaft, the dimensions E, E₁, E₂ are changing; please consult us.

Sizes 140 ... 360: side opposite to machine

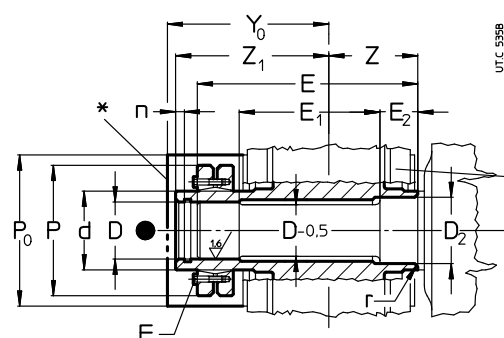
Gear reducer and gearmotor sizes 140 ... 360 can be supplied with **stepped** hollow low speed shaft with shrink disc on **opposite machine side**, i.e. **groove side** (see fig. f).

A protection for the shrink disc is supplied as standard, see page 328.

This design, compared with the machine side design, improves the accessibility to the shrink disc but it is more expensive, with lower torsional stiffness and with limits in the max admissible motor size for MR 21 ... UP2 ...; the shrink disc transmits a lower torque and, normally, requires a personal safety-guard (see «Protection for hollow shaft with shrink disc»).

Important: the shoulder diameter of the driven machine shaft end abutting with the gear reducer must be at least $(1,18 \div 1,25) \cdot D$.

Supplementary description when ordering by **designation: hollow low speed shaft with shrink disc, on machine opposite side.**



Hollow low speed shaft zone to be protected against fretting corrosion.

f) Stepped hollow low speed shaft with shrink disc and machine shaft end.

● Position of the reference groove (see ch.8, 10, 12, 14).

* Protection for hollow low speed shaft with shrink disc.

Size	MR 21 ... UP2 ... grand. motore max (ved. cap. 12)	D ∅	D ₂ ∅	E 3)	E ₁	E ₂ 3)	F	M N m	n	d ∅	P ∅	r	Z	Z ₁	Y ₀	P ₀	M ₂ N m
		H7/j6, k6															
140	132, 160 B5R	70	75	294,5	192,5	52	M 8 n. 10	30	8	90	155	2	125	191,5	222	234	8 000
160	180	80	85	329	208	57	M 10 n. 9	60	8	105	185	3	136	215	234	234	12 000
180	180, 200 B5R	90	100	363	228	63	M 10 n. 12	60	9	120	215	3	150	239	256	234	18 000
200	225	100	110	402	260	66	M 12 n. 10	100	10	130	230	3	167	261	282	254	26 000
225	225, 250 B5R	110	120	428	277	75	M 12 n. 12	100	10	140	265	3,5	180	277	298	283	36 600
		H7/h6, j6															
250	280	125	135	493	318	84	M 16 n. 8	250	11	160	290	4	206	319	345	315	51 600
280	280, 315S B5R	140	150	543	337	94	M 16 n. 10	250	12	180	330	4	222	355	381	345	71 500
320, 321	315	160	170	607	388	107	M 16 n. 12	250	13	200	350	5	254	390	405	393	102 000
360	315	180	195	668	414	116	M 16 n. 15	250	14	230	370	5	273	435	466	394	143 000

1) Tightening torque.

2) Maximum values relevant to shrink disc.

3) In presence of «Labyrinth seal and low speed shaft grease» (ch. 17 (26)), it is necessary to increase the E dimension (E₂) by A quantity stated in the table on ch. 17 (26).

(7) Protection for hollow low speed shaft with shrink disc

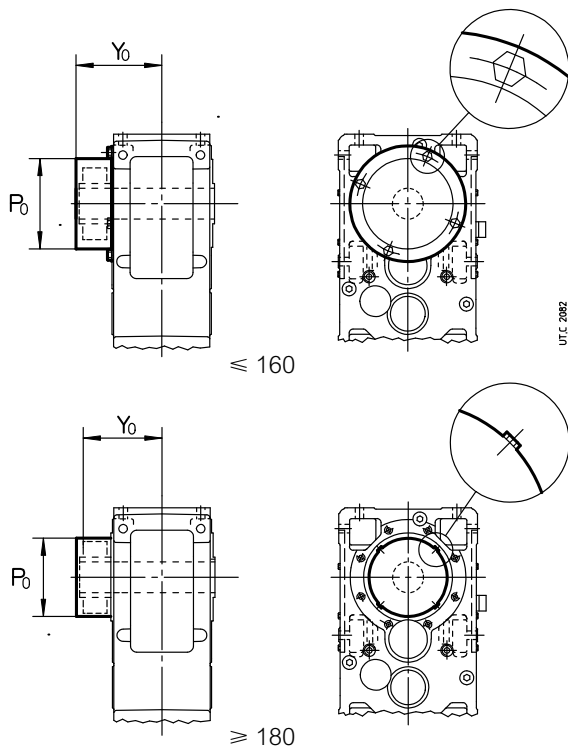
Safety protections, made of steel, for gear reducers equipped with hollow low speed shaft with shrink disc on machine opposite side (groove side). Normally supplied as standard when ordering the option low speed shaft with shrink disc. For details see below.

Sizes 140 ... 360

For dimensions and assembly sketch see «Low speed shaft with shrink disc on machine opposite side».

The accessory **cannot be supplied** for:

- **R I** gear reducers;
- gear reducers and gearmotors in vertical mounting positions **V5** and **V6 with shrink disc uppermost**;
- **some combined units of helical gearmotors (UP2...)** stated in the **table** (for the other gearmotor combined units this accessory will be available).



Size	B5 motor size incompatible with accessory
MR 21, 31 UP2...	
140	≧ 100
160	≧ 160
180	≧ 200
200	≧ 250
225	≧ 250
250	315
280	315

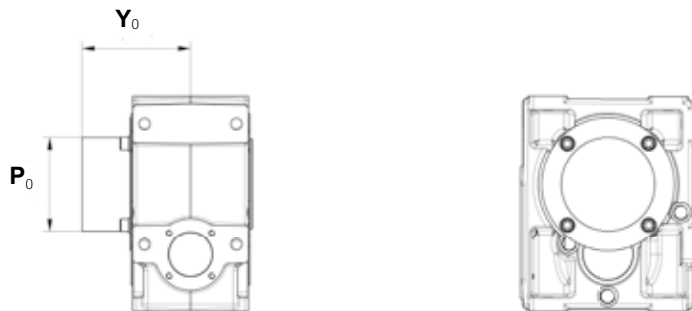
For dimensions **P₀** and **Y₀** see. ch. 17 (6).

Sizes 80 ... 125

Train of gears CI and ICI for overall dimensions according to table on the right.

For other sizes and train of gears contact Rossi.

Size	Y_0	P_0
MR CI, ICI		
80, 81	123	114
100	155	134
125	182	184



(8) Flange (sizes 40 ... 360)

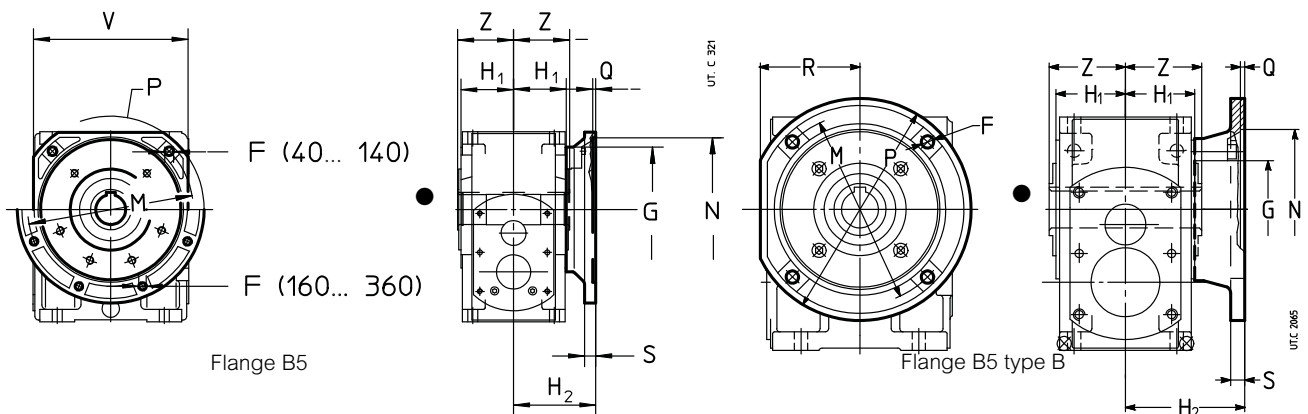
All gear reducers and gearmotors can be supplied with B5 flange having clearance holes and spigot «recess».

For sizes 63 ... 81, it is available in two versions with different coupling dimensions: **B5 flange** and **B5 flange type B**.

The accessory is supplied fitted onto the gear reducer. Unless otherwise stated, the mounting position is on groove opposite side (input opposite, for helical gear units: for these sizes 40 ... 125 is the only one possible; for greater sizes, consult us). For groove side mounting position (for bevel helical gear units only), state in the designation: «**mounting on groove side**». Locking adhesives such as LOCTITE are recommended both around threads and on mating surfaces.

For dimensions H_1 and Z see ch. 8, 10, 12 and 14.

Supplementary description when ordering by **designation: flange B5 or flange B5 type B** (see table).



● Position of the reference groove (see ch. 16) for radial load verification.

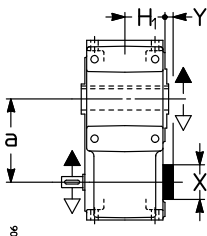
Size	F Ø	G Ø	H ₂ h12	M Ø	N Ø H7	P Ø	Q	R	S	V □	Mass kg	Designation
40	9,5	60	80	115	95	140	4	–	11	110	0,8	Flange B5
50	9,5	70	80	130	110	160	4,5	–	12	122	1	Flange B5
63, 64	11,5	80	100	165	130	200	4,5	–	14	152	2	Flange B5
63, 64	14	80	107	176	152	210	6	100	14	–	2,9	Flange B5 Typ B
80, 81	14	110	112	215	180	250	5	–	16	196	3,2	Flange B5
80, 81	14	110	129	230	170	280	6	121	16	–	5,8	Flange B5 Typ B
100	14	130	132	265	230	300	5	–	18	248	5,5	Flange B5
125	18	180	154	300	250	350	6	–	20	290	8,5	Flange B5
140	18	230	165	350	300	400	6	–	22	350	13	Flange B5
160	18 ⁸	230	191	400	350	450	6	–	22	–	15	Flange B5
180	18 ⁸	250	191	400	350	450	6	–	22	–	20	Flange B5
200	18 ⁸	300	231	500	450	550	6	–	25	–	25	Flange B5
225	22 ⁸	350	231	500	450	550	6	–	25	–	31	Flange B5
250, 280	27 ⁸	450	280	600	550	660	7	–	30	–	50	Flange B5
320 ... 360	33 ⁸	550	345	740	680	800	7	–	37	–	80	Flange B5

(9) Backstop device (sizes 50 ... 360)

For the sizes stated in the table, helical **gear reducers** with $i_N \geq 10$, bevel helical with $i_N \geq 12,5$ ($i_N \geq 10$ for size 50; $i_N \geq 11,2$ for sizes 160, 200, 250, 320, 321) and helical and bevel helical **gearmotors**, can be supplied together with backstop device; the designs and the positions are the ones stated below. For the value of dimensions **a, C, H, H₁, H₀** see ch. 8, 10, 12 and 14.

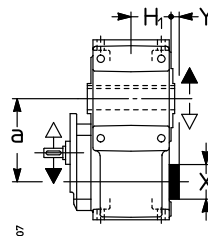
Supplementary description when ordering by **designation: backstop device, white or black arrow free-rotation.**

2I¹⁾ 63 ... 360



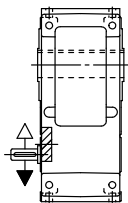
UT. C 306
UP2A

3I 63 ... 125



UT. C 307
UP2A

3I 140 ... 360²⁾



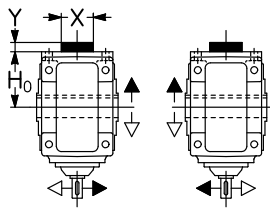
UT. C 351
UP2A

Size	2I, 3I, 4I	
	X Ø	Y
63, 64	47	7
80, 81	52	7
100	62	7
125, 140	72	10
160, 180	90	10
200, 225	110	10
250, 280	130	7
320 ... 360	170	7

1) Also MR 4I sizes 63 ... 125.

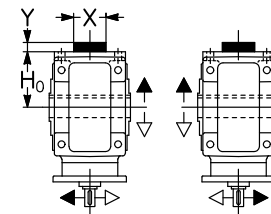
* Backstop device doesn't project from dimension H₁. Also available for UP2D, UP4A and UP4D design.

C1¹⁾ 50 ... 100



U03A U03Asin

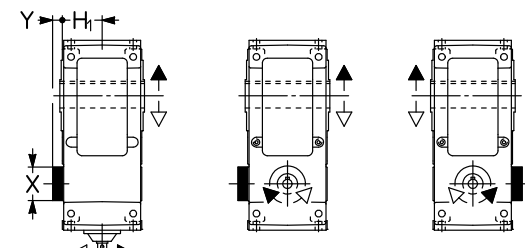
ICI 50 ... 200



U03A U03Asin

UT. C 305

C2I 140 ... 360



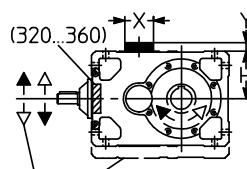
U02A
U02V
U02H
U02R

U02V sin
U02H sin
U02R sin

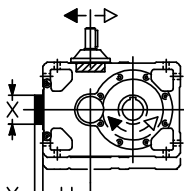
UT. C 307

1) Also MR C3I sizes 50 ... 125.

U02A sin U02A
(140, 180,
225, 280, 360)

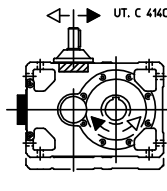


CI 125 ... 360



U02V

U02V sin



UT. C 414C

Size	CI, ICI, C3I		C2I	
	X Ø	Y	X Ø	Y
50 ... 64	47	4	—	—
80, 81	52	4	—	—
100	62	4	—	—
125, 140	122	16	72	10
160, 180	155	21	90	10
200, 225	190	21	110	10
250, 280	238	26	130	7
320 ... 360	- ²⁾	- ²⁾	170	7

2) Backstop device is fitted between high speed shaft bearings.

Backstop device load capacity

Nominal torque M_{N2} [N m] of backstop device when lower than M_{N2} of gear reducer (see ch. 9, 11, 13). Maximum permissible overload $1,7 \cdot M_{N2}$.

Size	Train of gears (i_N) M_{N2} [N m]		
	3I (28) C2I (20)	2I (10) 3I (31,5) C2I (22,4)	3I (35,5) C2I (25)
140	2 800	3 150	3 550
180	5 600	6 300	7 100
225	11 200	12 500	14 000
280	21 200	23 600	26 500
321, 360	42 500	47 500	53 000

(10) Reaction bolt using disc spring (sizes 40 ... 360)

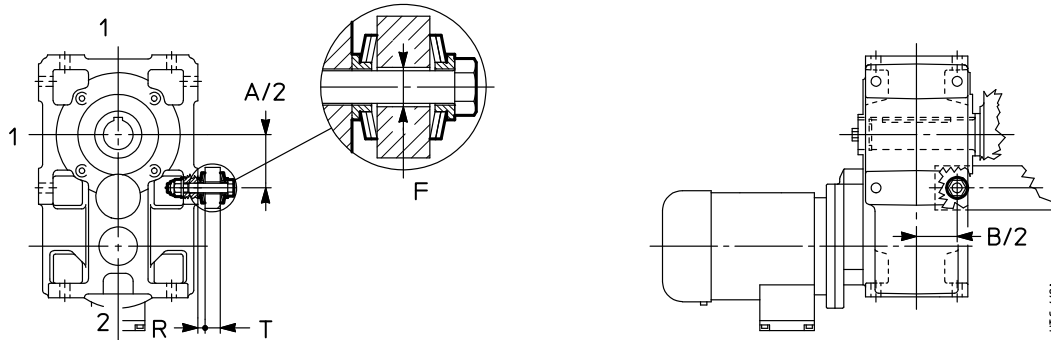
Reaction arrangement for shaft mounting

See technical explanations at ch. 18.

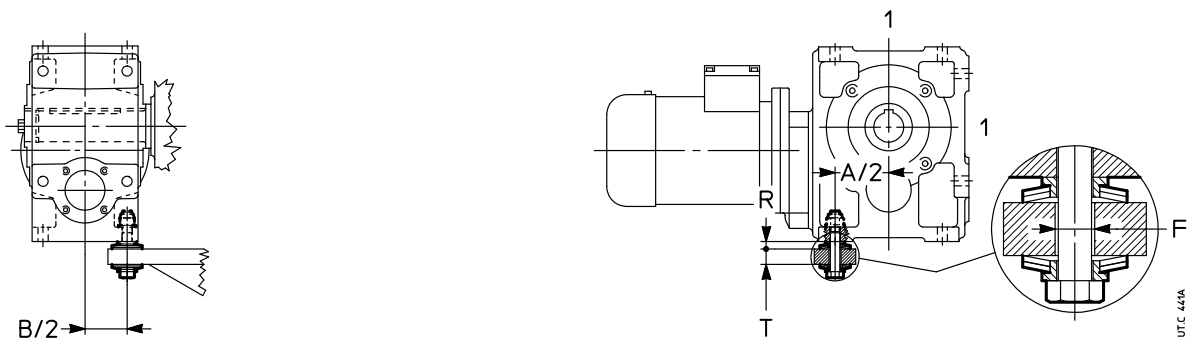
For dimensions **A**, **A₁**, **B** see ch. 8, 10, 12 and 14.

For trains of gears CI, ICI, C3I apply this system **preferably** on side **1**; for trains of gears 2I, 3I, 4I **do not** apply on side **2**.
Supplementary description when ordering by **designation: reaction bolt using disc springs**.

$2I \leq 125$; $3I \leq 125$; $4I$

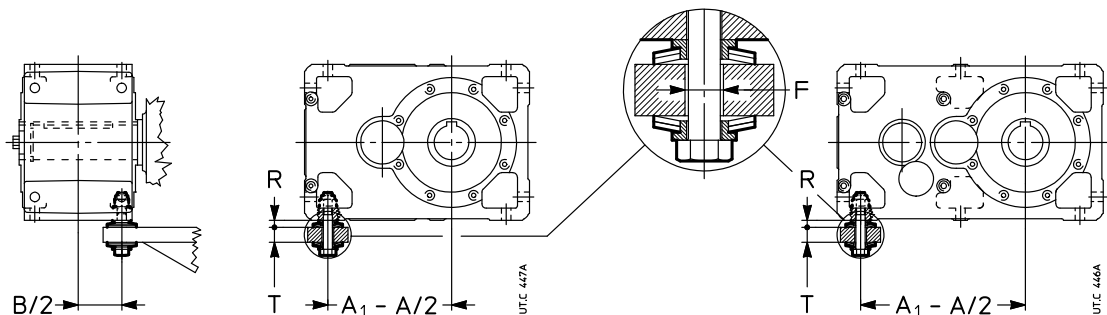


$CI \leq 100$; $ICI \leq 125$; $C3I$



$CI \geq 125$

$2I \geq 140$; $3I \geq 140$; $C2I$



Size	Screw	Disc spring		T	F ø	R 1)	$M_2 \leq$ 2) N m
	UNI 5737-88	DIN 2093					
40	M 6 × 40	A18	n.2	8 ÷ 10	8	4,9	63
50	M 8 × 55	A25	n.2	10 ÷ 14	11	6,5	140
63, 64	M 12 × 70*	A35,5	n.2	14 ÷ 17	20	8,8	224
80, 81	M 12 × 90	A35,5	n.3	18 ÷ 25	20	10,8	400
100	M 16 × 110	A50	n.2	25 ÷ 32	20	13,1	630
125, 140	M 16 × 110	A50	n.2	25 ÷ 32	20	13,1	1000 ³⁾
160, 180	M 20 × 130	A63	n.3	25 ÷ 38	24	17,9	–
200, 225	M 24 × 160	A80	n.2	29 ÷ 48	30	20,7	–
250, 280	M 30 × 200	A100	n.2	37 ÷ 60	36	26,2	–
320 ... 360	M 36 × 260	A100	n.3	45 ÷ 75	42	32,2	–

* Modified bolt.

1) Theoretical value: tolerance 0 ÷ -1.

2) For higher M_2 values, use 2 reaction bolts or the arrangement with bracket (see following page).

3) The limit 1 000 N m is applied only to size 125, for all train of gear excluding train of gear CI.

(11) Kit using reaction disc springs (sizes 40 ... 125)

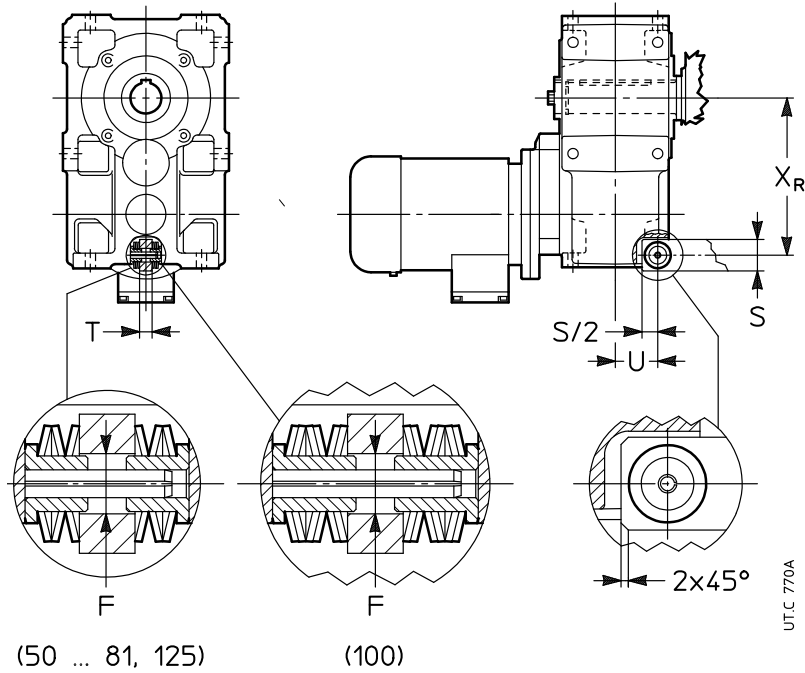
Reaction arrangement for shaft mounting

See technical explanations at ch. 18.

For dimensions **A**, **A₁**, **B** see ch. 8, 10, 12 and 14.

Supplementary description when ordering by **designation: kit using reaction disc springs.**

$2l \leq 125$; $3l \leq 125$; $4l$



(50 ... 81, 125)

(100)

Size	Disc spring DIN 2093	F	T h11	S	x_R	U	M₂ ≤ N m
40	A18 n.3	10	10	22	106	32,5	–
50	A25 n.3	13	12	30	130	37,5	–
63	A25 n.3	13	15	35	163	50	–
64	A25 n.3	13	15	35	165	50	350 ²⁾
80, 81	A35,5 n.3	19	20	40	199	54	–
100	A35,5 n.6	19	25	50 ¹⁾	246 ³⁾	66	–
125	A50 n.3	26	30	60	306 ³⁾	82	2 600 ²⁾

1) S/2 = 22,5 mm.

2) For mounting positions B3 and B8.

3) For long model x_R dimension is: 302 (size 80, 81), 351 (size 100), 439 (size 125).

(12) Reaction bolt using disc springs with bracket (sizes 63 ... 225)

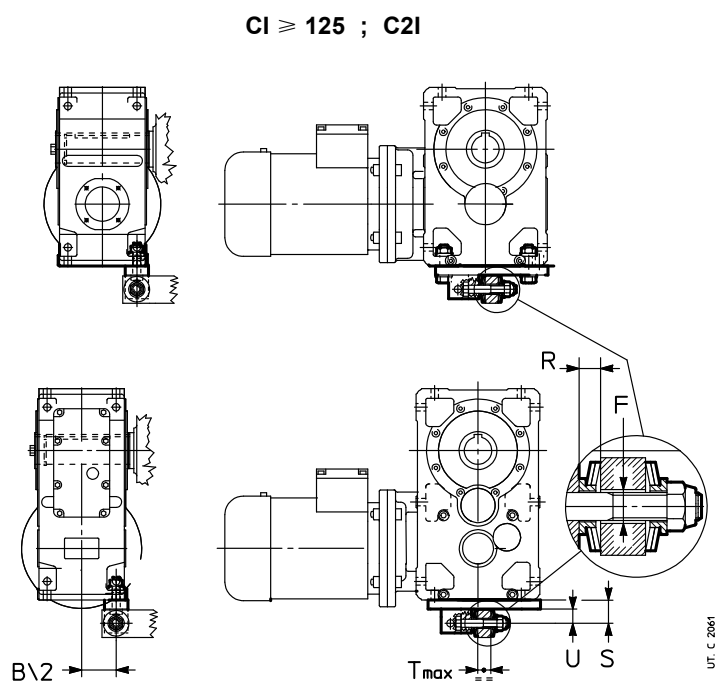
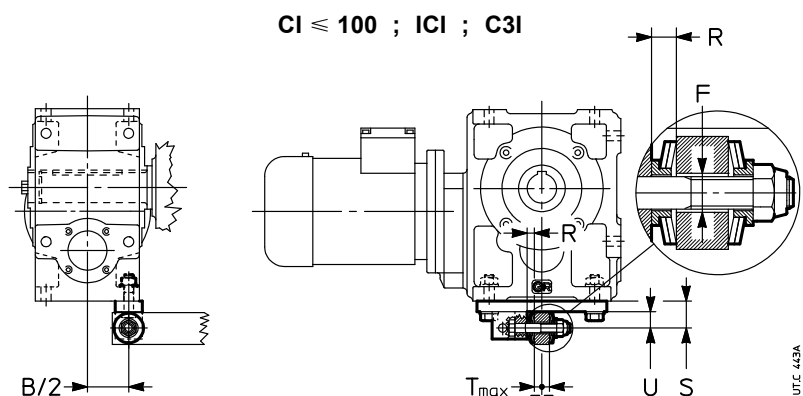
Reaction arrangement for shaft mounting

See technical explanations at ch. 18

For dimensions **A**, **A₁**, **B** see ch. 8, 10, 12 and 14.

This arrangement can be applied, if need be (overall dimension, less stress or other reasons) on the **short** farthest side from low speed shaft also for parallel shaft gear reducers sizes 63 ... 225.

Supplementary description when ordering by **designation: reaction bolt using disc springs and bracket.**



Size	Screw UNI 5737-88	Disc spring DIN 2093	T	F Ø	S	U	R 1)	B/2
63, 64	M 12 × 70*	A 35,5 n.1	14 + 17	20	38	23	6,8	45
80, 81	M 12 × 90	A 35,5 n.2	18 + 25	20	38	23	8,8	53
100	M 16 × 110	A 50 n.2	25 + 32	20	50	30	13,1	65,5
125, 140	M 16 × 110	A 50 n.2	25 + 32	20	50	30	13,1	81
160, 180	M 20 × 130	A 63 n.3	23 + 38	24	65	40	17,9	100,5
200, 225	M 24 × 160	A 80 n.2	29 + 48	30	80	48	20,7	125

* Modified bolt.

1) Theoretical value after tightening: tolerance 0 + -1.

(13) Rigid or flexible torque arm using bracket (sizes 63 ... 225)

Reaction arrangement for shaft mounting

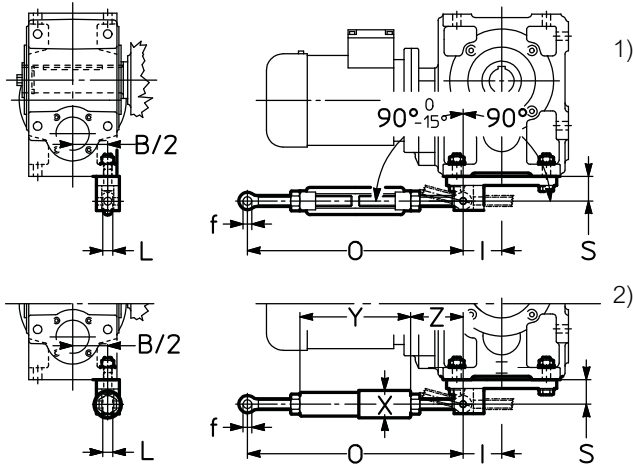
See technical explanations at ch. 18.

For dimensions **A**, **A₁**, **B** see ch. 8, 10, 12 and 14.

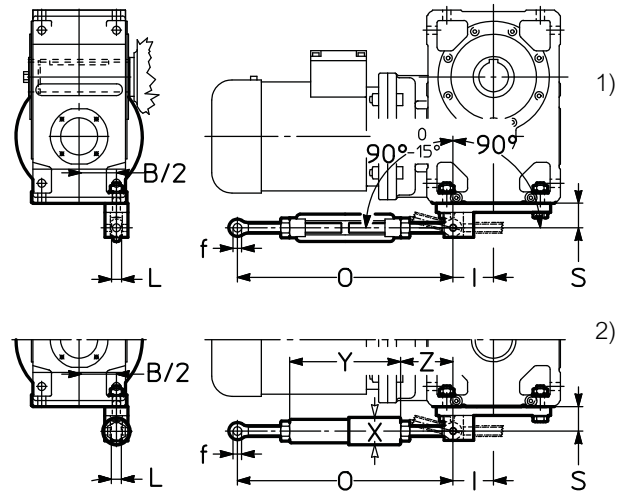
This arrangement can be applied, if need be (overall dimension, less stress or other reasons) on the short farthest side from low speed shaft in all gear reducers sizes 63 ... 225.

Supplementary description when ordering by **designation: rigid** or **flexible torque arm using bracket**.

CI ≤ 100 ; ICI ; C3I

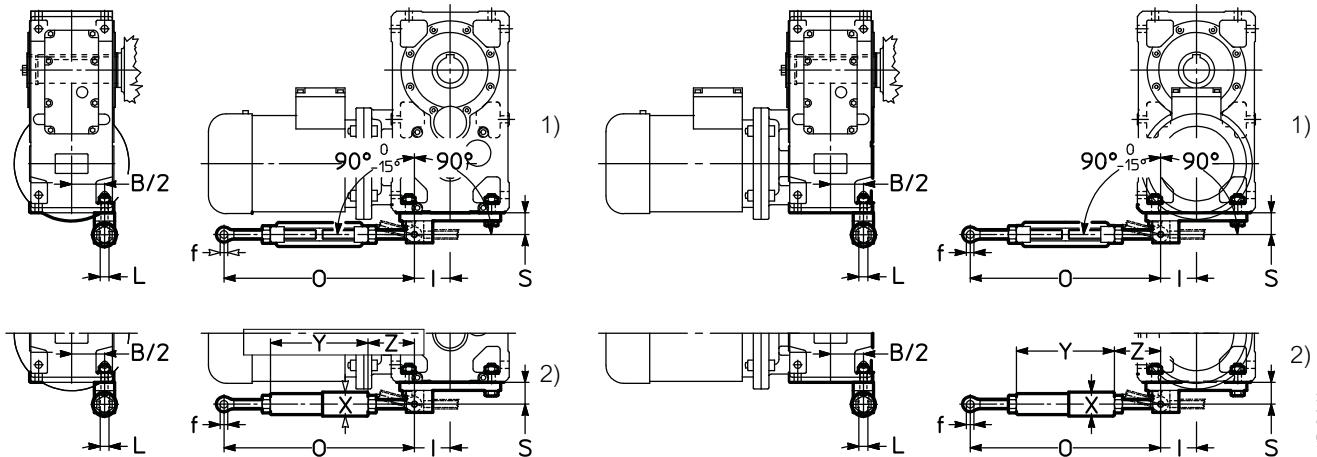


CI ≥ 125



C2I

2I ≥ 140 ; 3I ≥ 140



1) Rigid torque arm using bracket.

2) Flexible torque arm using bracket (not supplied for size 63 ... 81).

Size	f ∅	O	S	L	X ∅	Y	Z ≈	I	B/2
63, 64	12	280 ÷ 350	38	14	—	—	—	50	45
80, 81	12	280 ÷ 350	38	14	—	—	—	56	53
100	16	410 ÷ 510	50	17	52	242	84	74	65,5
125, 140	16	410 ÷ 510	50	17	52	242	84	74	81
160, 180	22	580 ÷ 680	65	24	64	285	147	92	100,5
200, 225	28	580 ÷ 680	80	30	88	305	137	113	125

UT. C 2408

(14) Torque arm (sizes 40 ... 81)

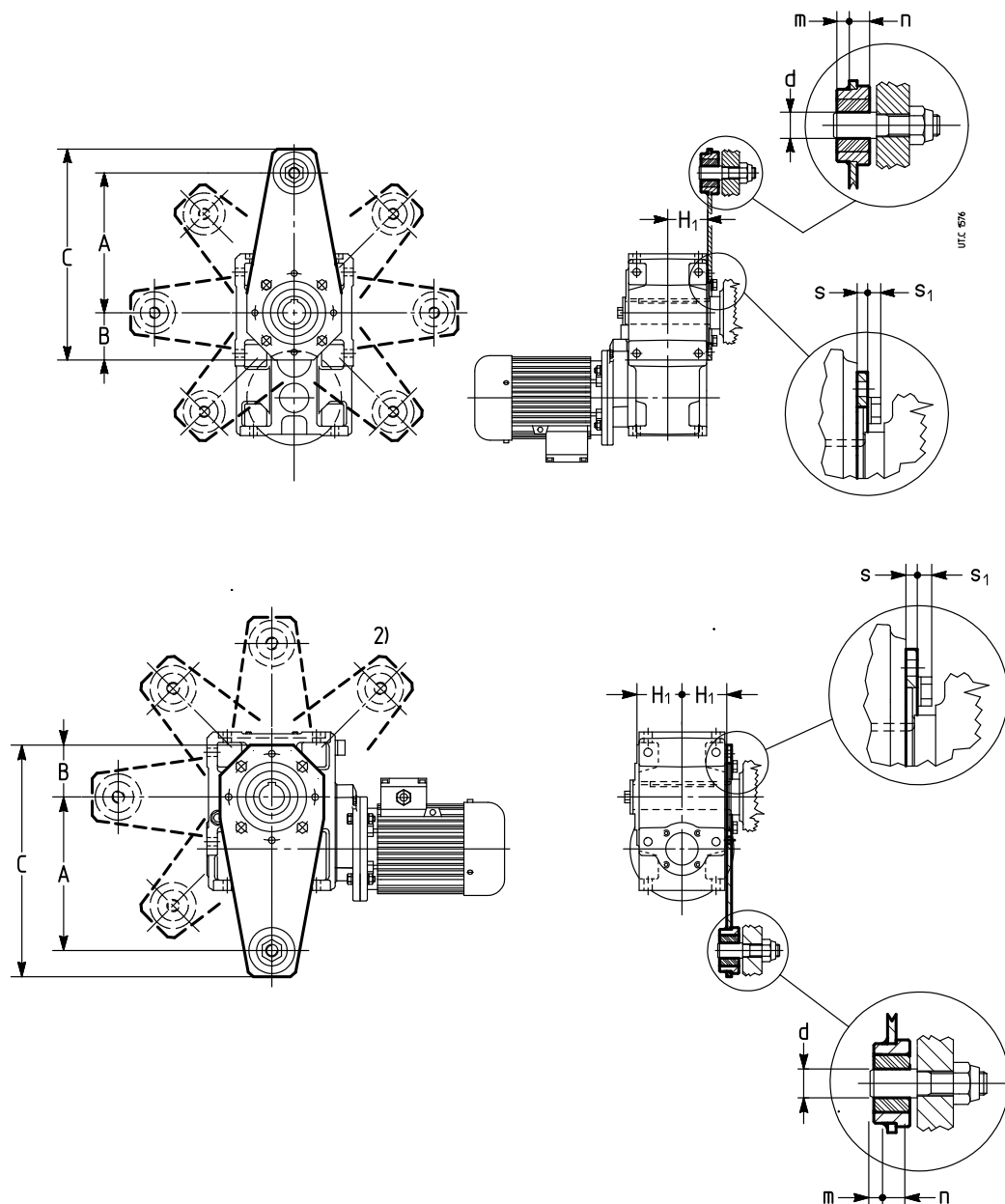
Reaction arrangement for shaft mounting

See technical explanations at ch. 18.

For dimensions **A**, **A₁**, **B** see ch. 8, 10, 12 and 14.

The accessory, including fixing bolts for gear reducer, is supplied not assembled. According to motor overall dimensions, the assembly towards motor could not be possible.

Supplementary description when ordering by **designation: torque arm**.



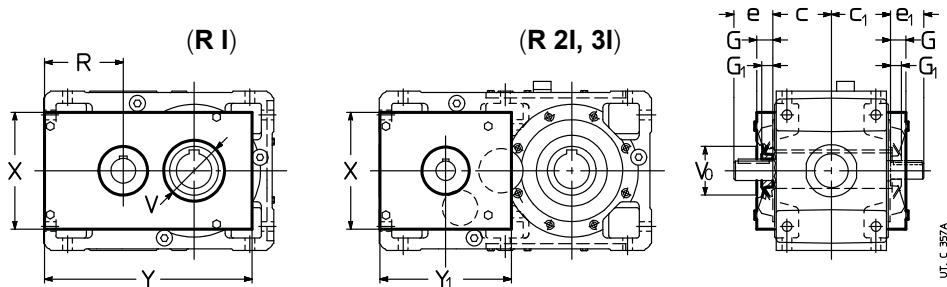
Size	A	B	C	d Ø H11	H ₁ h12	m	n Ø	s	s ₁ ≈	M ₂ ≤ N m
40	100	45	157	8 ¹⁾	41,5	5	9	4	4,7	135
50	150	52,5	230	10	49	7	13	6	5,6	280
63, 64	200	60	294	20	58,5	9,5	15,5	6	7,5	335
80, 81	250	80	364	20	69,5	9,5	15,5	6	9,2	670

1) Plastic damping bushing not present.

2) Position not possible for train of gears MR ICI.

(15) Fan cooling (sizes 125 ... 360)

The **helical** gear reducers of size and train of gears stated in the table can be supplied with **one** or **two** fans. For the value of dimensions **e**, **e₁**, and **c**, **c₁** see ch. 8
Gearmotors MR 2I 140 ... 360 and MR 3I 140 ... 360 **UP...D** can be supplied fitted with **one** fan.



Size		G	G ₁	R	V ₀ ∅	V ∅ 3)	X	Y	Y ₁
R I ⁴⁾	R 2I ⁴⁾ , R 3I ⁴⁾	1)							
125	140	34	25 ⁵⁾	148	90	90	212	379	247
140	–	51	39	148	90	100	240	420	–
160	160, 180	38	25 ⁶⁾	178	110 ⁶⁾	115	264	469	297
180	–	54	39	178	110	130	296	487	–
200	200, 225	44	32	223	130	140	326	585	357
225	–	44	32	223	140	160	326	610	–
250	250, 280	52	40 ²⁾	278	160	175	426	740	447
280	–	52	40	278	175	200	426	770	–
320, 321	320 ... 360	63	50 ²⁾	353	200	220	554	951	557
360	–	63	50	353	220	260	554	991	–

- 1) Bolts projecting 6 mm from dimension **G**.
- 2) For R 3I dimension G₁ = 32 (250, 280), 40 (320 ... 360).
- 3) Only for **second** fan in pos. **2** or, on request, in other cases.
- 4) Design not possible with B5 flange on fan side; if required, consult us.
- 5) For R 2I 140 pos. **2** dimension G₁= 15.
- 6) For R 3I 160 and 180 with *i* ≥ 72 and/or pos. **2** dimension G₁=15 and dimension V₀=90.

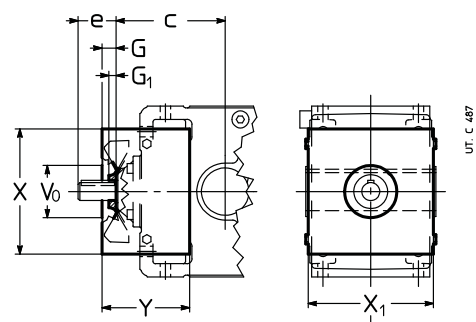
For **R I** gear reducers, the forced cooling with fan is in some cases incompatible with other non-standard designs and accessories, according to the scheme on the following table; consult us, if need be.

Non-standard design	UP...A, UP...L One fan in pos. 1		One fan in pos. 2		UP...D One fan in pos. 1		Two fans	
	Groove side •	Groove opposite side	Groove side •	Groove opposite side	Groove side •	Groove opposite side	Groove side •	Groove opposite side
(1) Standard low speed shaft ¹⁾	–	✓	✓	–	–	✓	–	✓
(2) Solid low speed shaft ¹⁾	–	✓	✓	–	–	✓	–	✓
(6) Hollow low speed shaft with shrink disc	–	✓	✓	–	–	✓	–	–
(8) Flange	–	✓	–	–	–	–	–	–

- Design or accessory not possible.
✓ Design or accessory possible.
1) **Double extension** low speed shaft not possible.

Bevel helical gear reducers of size and train of gears indicated in the table can be supplied fitted with **one** fan. See ch. 10 for dimensions **e** and **c**.

Also gearmotors MR CI 125 ... 280, MR C2I 160 ... 360 ... **D** ..., ... **H** ..., ... **R** ... can be supplied fitted with **one** fan.



Size CI			G	G ₁	V ₀ ∅	X	X ₁	Y
125	R	$i_N \leq 8$ $i_N \geq 9$	25	15	90	212	212	140
	MR		25	15	90	212	212	127
140	R	$i_N \leq 9$ $i_N \geq 10$	25	15	90	212	212	140
	MR		25	15	90	212	212	127
160	R	$i_N \leq 8$ $i_N \geq 9$	34	20	110	264	264	209
	MR		29	15	110	264	264	184
180	R	$i_N \leq 9$ $i_N \geq 10$	34	20	110	264	264	209
	MR		29	15	110	264	264	184
200	R	$9 \leq i_N \leq 8$	41	20	150	326	326	255
		$i_N \leq 16$	41	20	130	326	326	232
		$i_N \geq 18$	41	15	130	326	326	232
MR	$i_N \leq 14$	41	20	130	326	326	232	
	$i_N \geq 16$	41	15	130	326	326	232	
225	R	$10 \leq i_N \leq 9$	41	20	150	326	326	255
		$i_N \leq 16$	41	20	130	326	326	232
		$i_N \geq 18$	41	15	130	326	326	232
MR	$i_N \leq 16$	41	20	130	326	326	232	
	$i_N \geq 18$	41	15	130	326	326	232	
250	R	$11,2 \leq i_N \leq 10$	47	25	175	426	404	317
		$i_N \leq 16$	46	25	150	426	404	293
		$i_N \geq 18$	46	20	150	426	404	293
MR	$i_N \leq 14$	46	25	150	426	404	293	
	$i_N \geq 16$	46	20	150	426	404	293	
280	R	$12,5 \leq i_N \leq 11,2$	47	25	175	426	404	317
		$i_N \leq 16$	46	25	150	426	404	293
		$i_N \geq 18$	46	20	150	426	404	293
MR	$i_N \leq 16$	46	25	150	426	404	293	
	$i_N \geq 18$	46	20	150	426	404	293	
320 ... 360	R		57	32	220	554	500	392

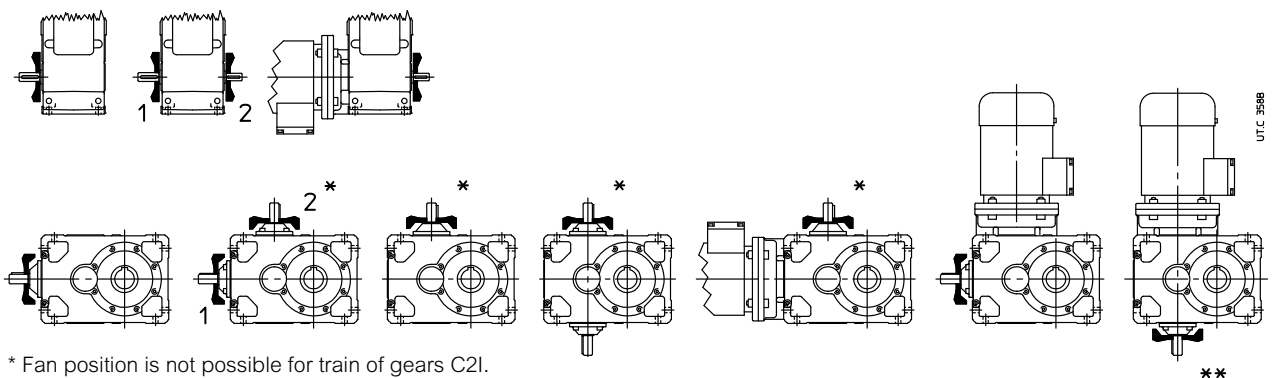
Size C2I			G	G ₁	V ₀ ∅	X	X ₁	Y
160	R	$i_N \leq 31,5$ $i_N \geq 35,5$	25	15	110	264	264	184
	MR		25	15	110	264	264	173
180	R	$i_N \leq 31,5$ $i_N \geq 35,5$	25	15	110	264	264	184
	MR		25	15	110	264	264	173
200	R	$i_N \leq 31,5$ $i_N \geq 35,5$	34	20	130	326	326	232
	MR		41	15	130	326	326	222
225	R	$i_N \leq 31,5$ $i_N \geq 35,5$	34	20	130	326	326	232
	MR		41	15	130	326	326	222
250	R	$35,5 \leq i_N \leq 31,5$	43	20	150	426	404	293
		$i_N \leq 63$	41	20	150	426	404	268
		$i_N \geq 71$	41	15	150	426	404	268
MR	$i_N \leq 63$	41	20	150	426	404	268	
	$i_N \geq 71$	41	15	150	426	404	268	
280	R	$35,5 \leq i_N \leq 31,5$	43	20	150	426	404	293
		$i_N \leq 63$	41	20	150	426	404	268
		$i_N \geq 71$	41	15	150	426	404	268
MR	$i_N \leq 63$	41	20	150	426	404	268	
	$i_N \geq 71$	41	15	150	426	404	268	
320 321 360	R	$35,5 \leq i_N \leq 31,5$	55	32	220	554	500	365
		$i_N \leq 63$	46	25	185	554	500	333
		$i_N \geq 71$	46	20	185	554	500	333
MR	$31,5 \leq i_N \leq 28$	55	32	220	554	500	365	
	$i_N \leq 63$	46	25	185	554	500	333	
		$i_N \geq 71$	46	20	185	554	500	333

1) Bolts projecting 6 mm from dimension X₁.

1) Bolts projecting 6 mm from dimension X₁.

With double extension high speed shaft designs both extensions are **accessible** even with fan fitted: personnel safety-guards are the Buyer's responsibility (2006/42/EC).

Designs and positions are as shown below.



* Fan position is not possible for train of gears C2I.

** Not possible for MR CI sizes 140, 180, 225, 280.

Temperature of cooling air must not exceed ambient temperature.

Supplementary description when ordering by **designation: fan cooling**; in design with double extension high speed shaft state if pos. **1** or **2** – only for helical gear units – **1** and **2**.

Also available independent cooling unit with heat exchanger (see h. 17 (30)); consult us, if need be.

(16) Water cooling by coil (sizes 125 ... 360)

Gear reducers and gearmotors sizes 125 ... 360, excluding ICI train of gears and mounting positions V... with groove side towards the bottom, can be supplied with copper alloy coil for water cooling.

On request, available also stainless steel coil (AISI 316) or cupro-nickel; consult us.

Cooling water specifications:

- be not too hard ≤ 12 °F (French degrees) ;
- max temperature 20 °C;
- capacity $10 \div 20$ dm³/min;
- pressure $0,2 \div 0,4$ MPa ($2 \div 4$ bar).

A smooth metallic pipe (with external diameter **d** stated on table) is sufficient for the connection.

The load loss in the coil, according to the water flow and pressure, is of $0,6 \div 0,8$ bar for diameter \varnothing d16 and $0,8 \div 1$ bar for diameter \varnothing d 12.

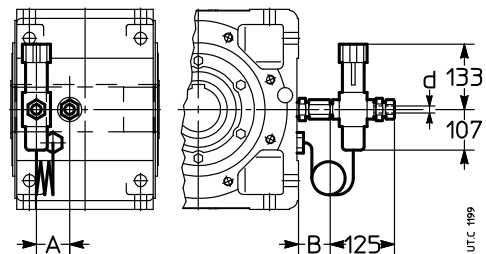
On request **thermostatic valve** which, automatically and without auxiliary supply need, permits water circulation when gear reducer oil reaches the set temperature; the valve sensor is equipped with immersion bulb. Mounting and setting, adjustable within $50 \div 90$ °C, are Buyer's responsibility.

For ambient temperature lower than 0 °C consult us.

Supplementary description when ordering by **designation: water cooling by coil** or **water cooling by coil and thermostatic valve**.

Size	A ¹⁾ ≈	B ¹⁾ ≈	d ∅	Ms N m
125 ... 180	40	40	10	30
200 ... 280	50	40	12	30
320 ... 360	60	45	16	35

1) Values valid for B3 mounting position and U ... A design.
For other mounting positions and/or designs: consult us.

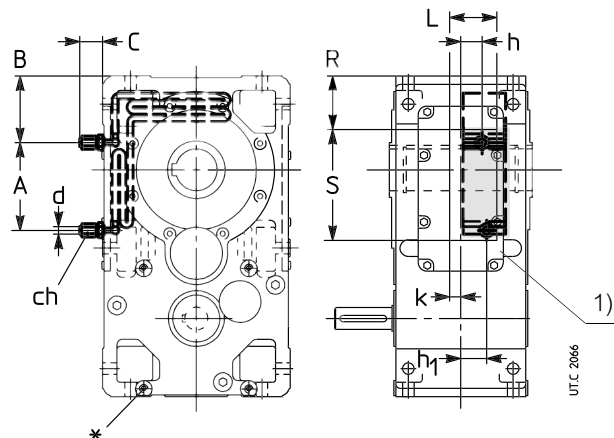


(17) Cooling by internal exchanger (sizes 140 ... 360)

The following gear reducers and gearmotors:

- sizes 140 ... 360;
- helical gear units 2l, 3l;
- bevel helical C2l, design UO2A, ...H, ...V, ...R (excluding the relevant versions sin);

can be equipped with **internal** and **extractable** heat exchanger, made of aluminium, finned, mounted on gear reducer inspection cover (facilitating the maintenance operations) for the water cooling of lubrication oil.



Internal heat exchanger, on gear reducer inspection cover

1) Free area for pipe fastening and coil fastening devices.

In case of MR gearmotors mounting positions UO2V ... UO2H the heat exchanger may not be fully extractable.

The value of thermal factor f_{t_b} according to size and mounting position is given in the table.

Size	f_{t_b}			A	B	C	ch	d	h	h_1	K	L	R	S
	B3	B6, B7	B8, V5, V6	≈	≈			∅						
140	1,7	1,9	1,8	30	81,5	54	22	12	32	19	16	68	60	130
160	2,12	2,36	2,24	0	102	54	22	12	20	46	16	86	77	177
180	2	2,24	2,12	0	102	54	22	12	21	47	15	86	77	177
200	2,24	2,5	2,36	190	152	25	22	12	41	41	14	75	105	263
225	2,12	2,36	2,12	190	152	25	22	12	41	41	14	75	105	263
250	2,36	2,65	2,5	180,5	170,5	25	22	12	50,5	50,5	18	100	125	311
280	2,24	2,5	2,36	180,5	170,5	25	22	12	54	54	15	100	125	311
320, 321	2,12	2,36	2,24	60	255	34	30	16	66	66	2	129	177	302
360	2	2,24	2,12	60	255	34	30	16	66	66	2	129	177	302

Cooling water specifications:

- be not too hard $\leq 12^\circ$ F (French degrees);
- max temperature max 20° C;
- capacity $10 \div 20$ dm³/min;
- pressure $0,2 \div 0,4$ MPa ($2 \div 4$ bar).

A smooth metallic pipe (with external diameter **d** stated on table) is sufficient for the connection, paying attention to keep fixed the fillet using a second hexagon wrench, when fastening the pipe on the fillet.

The load loss in the internal exchanger, according to the water flow and pressure, is of $1,4 \div 1,8$ bar for diameter $\varnothing d$ 16 and $1,8 \div 2$ bar for $\varnothing d$ 12.

On request **thermostatic valve** which, automatically and without auxiliary supply need, permits water circulation when gear reducer oil reaches the set temperature (after technical feasibility verification, consult us); the valve sensor is equipped with immersion bulb. Mounting and setting, adjustable within $50 \div 90^\circ$ C, are Buyer's responsibility.

For ambient temperature lower than 0° C consult us.

Supplementary description when ordering by **designation: independent cooling with internal exchanger.**

(18) Additional oversized housing hole for cooling oil pipe (sizes 160 ... 360)

In the event of oil cooling system through centralized external circuit (e.g.: paper plants) it is necessary to foresee an additional hole of proper dimensions on gear reducer housing in order to allow the lubricant flow for gravity.

The setting of oil flow at gear reducer input must be executed by the Customer during the installation.

The heat quantity dissipated by the system depends on oil flow and on input and output oil temperature difference.

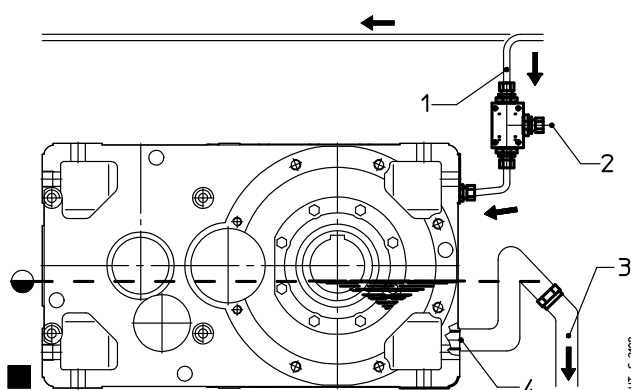
Available only for mounting positions B3 and B8 and sizes 160 ... 360.

Threaded hole **G 2"** for sizes 160 ... 225 and **G 2 1/2"** for sizes 250 ... 360.

Supplementary description when ordering by **designation: additional oversized housing hole.**

Legend:

- 1 Oil input.
- 2 Flow rate fine tuning value
- 3 Oil drain, towards centralized cooling tank
- 4 Additional oversized diameter housing hole



(19) Bearing lubrication pump (sizes 100 ... 360)

Piston pump (driven by a cam from the low speed shaft) or **high speed shaft lubrication device** (only R 2I size 100 ... 280 and mounting position V5), for non oil-bath bearing lubrication.

In the following table the cases are stated where for input speed included in the range $n_1 = 1\,400 \div 1\,800 \text{ min}^{-1}$ it is necessary to foresee the bearing lubrication pump or the high speed shaft lubrication device (see also ω at ch. 8, 10, 12, 14). For other speed values, consult us.

In general, when the maximum system reliability is required, in presence of particularly heavy duty cycles or sever ambient conditions, it is necessary to evaluate the possibility to install a bearing lubrication pump; consult us.

Supplementary description when ordering by **designation: bearings lubrication pump or high speed shaft lubrication device.**

Train of gears	Mounting position	Presence of lubrication pump or lubrication device $n_1 = 1\,400 \div 1\,800 \text{ min}^{-1}$					
		Gear reducer size					
		100	125	140 ... 180	200, 225	250, 280	320 ... 360
R I	V5, V6	1)	1)	1)	1)	1)	1)
R 2I	V5	D ²⁾	D ²⁾	D ²⁾	D ²⁾	P	P
	V6	-	-	-	-	-	P
R 3I	V5	-	-	P	P	P	P
R CI	V5, V6	-	-	-	P	P	P
	B3, B6, B8 with ω	-	P	P	P	P	P
R C2I	V5, V6	-	-	-	-	-	P
	B3, B6 with ω	-	-	P	P	P	P
MR CI	B3, B6, B8 with ω	-	P	P	P	P	-
MR C2I	B3, B6 with ω	-	-	P	P	P	P

- = Bearing lubrication pump and high speed shaft lubrication device not necessary.

D = Lubrication device.

P = Lubrication pump.

1) Consult us.

2) Lubrication pump on request.

(20) Hollow low speed shaft washer (sizes 40 ... 360)

All gear reducers and gearmotors can be supplied with washer, retaining ring (excluding sizes 40 ... 63), bolt for axial fastening and protection cap (excluding input side of helical gear reducers and gearmotors sizes 40, 50 and gearmotors 3I 63), see ch. 18.

Supplementary description when ordering by **designation: hollow low speed shaft washer.**

(21) Hollow low speed shaft washer with locking rings or bushing (sizes 40 ... 360)

All gear reducers and gearmotors (excluding MR 3I 40 ... 63) can be supplied with washer, retaining ring (excluding sizes 40 ... 63), locking rings (sizes 40 ... 63) or locking bushing (sizes 64 ... 360), bolt for axial fastening and protection cap (excluding input side of helical gear reducers and gearmotors, sizes 40, 50), see ch. 18 «Hollow low speed shaft».

ATTENTION. In applications with **travelling lifts**, the locking bushing is not sufficient to assure a stable keying of hollow low speed shaft with machine shaft end, even if the axial fastening screw is fitted with locking adhesive. In these cases, it is necessary to have a keying with hollow shaft and **shrink disc**. This is valid, in general, also for a high frequency of starting and braking with motion reversal and when the inertia ratio J/J_0 is very high (≥ 5).

Supplementary description when ordering by **designation: hollow low speed shaft washer with locking rings or bushing.**

(22) Hollow low speed shaft protection cap (sizes 40 ... 360)

The gear reducers and gearmotors, sizes 40 ... 360, can be supplied with a protection cap of the hollow low speed shaft free area (see ch. 18 «Hollow low speed shaft»).

ATTENTION. The protection cannot be mounted:

- on input side of helical gear reducers and gearmotors sizes 40, 50 and gearmotors 3I 63;
- in presence of standard low speed shaft;
- on sizes 180 ... 360 not equipped with the necessary pre-arrangement (e.g.: assembly is not possible for «aftermarket» supplies).

The protection cannot be supplied in presence of:

- double seal on low speed shaft (sizes 63 ... 160);
- labyrinth seal and greaser;

Consult us, if need be.

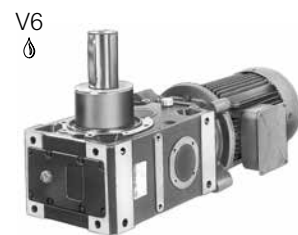
Supplementary description when ordering by **designation: hollow low speed shaft with protection cap or cover.**

(23) Design for agitators, aerators, fans (sizes 125 ... 360)

This design has been specifically developed for aerators, agitators, and fans with high bending moment values (as a rough guide $\geq 0,4 \cdot M_2$).

In addition to the rigid and precise **single piece** housing, «symmetrical» **universal** mounting, **patented** keying system for motor sizes 200 ... 315 which offers easier assembly and disassembly and avoids fretting corrosion, taper roller bearings, the fundamental characteristics of this **compact, economic and reliable** design are:

- extended bearing housing to improve radial and axial load ratings (taper roller bearings) and to reduce overhangs;
- plentiful low speed shaft end diameter;
- double seals on the low speed shaft with chromium plated raceway;
- space between double seals packed with grease and top hat arrangement which acts as water splash guard for aerators and as slinger for fans;
- oil lubricated bearing on low speed shaft end side: oil-bath for lower position (V5), pump lubrication for upper position (V6) (price addition); additional stainless steel drain plug to facilitate complete **oil drainage**. All this ensures **total reliability** (gear pairs and bearings) during running and **minimum maintenance**;



⊕) Bearing lubrication pump.

Options:

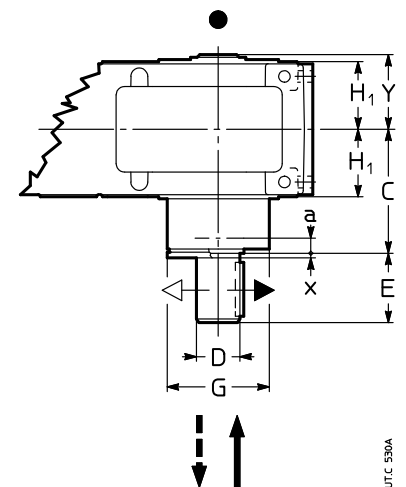
- drip proof cover for motor (standard protection IP 55);
- special paint;
- remote oil level and/or oil temperature indicator with threshold signal (sizes ≥ 160).

Combinations **2** (direction of rotation – axial load direction) are to be preferred since they permit to withstand the highest of the two F_{a2} axial loads (see following table).

ICI and C3I trains of gears not possible; for CI and C2I, the ...sin designs are not possible.

Supplementary description when ordering by **designation: design for agitators**.

IMPORTANT. For selection of the gear reducer or gearmotor size and verification of radial and axial loads (and hence for the need of this design) **we always must be consulted: a detailed program of calculation** enables us to give a quick and reliable answer.



● Position of the reference groove (see ch.8, 10, 12, 14): useful for gear reducer design and mounting position identification on catalog.

Size	a	C	D Ø m6	E	G Ø	x ≈	Y	Δm kg	F_{a2}			
									↓	↑	↓	↑
125	55	220	70	105	140	3	108	12	1	2	2	1
140	62	235	70	105	159	3	122	20	1	2	2	1
160	68	270	90	130	183	4	133	28	2	1	1	2
180	72	275	90	130	226	4	148	38	2	1	1	2
200	76	327	110	165	248	4	164	55	1	2	2	1
225	76	340	110	165	248	4	177	65	1	2	2	1
250	97	402	140	200	310	5	203	105	2	1	1	2
280	97	418	140	200	310	5	218	120	2	1	1	2
320, 321	110	505	180	240	388	6	250	215	1	2	2	1
360	110	523	180	240	388	6	268	250	1	2	2	1

For dimension H_1 see ch. 8, 10, 12 and 14. Other dimensions at ch. 6 «High and low speed shaft end».

1) Position of the center point of the bearing.

2) Thickness of protection disk.

(24) Optional paint (sizes 40 ... 360)

The gear reducers and gearmotors can be supplied with optional painting cycles, according to following table. Additional description when ordering by **designation: optional paint ...** (see code stated in the table; i.e.: «**optional paint 2HRAL5010**»).

Application field	Features	Corrosivity class ISO 12944-2	Durability classes ISO 12944-2	Description	Average final thickness on machined parts µm	Code
Applications in aggressive environments	Good resistance to atmospheric and aggressive agents	C4	Low	Dual-compound epoxy primer Water-soluble dual-compound enamel with acrylic-polyurethan resins	150	1HRAL5010 (blue)
			Medium	Dual-compound epoxy primer (x 2) Water-soluble dual-compound enamel with acrylic-polyurethan resins	200	2HRAL5010 (blue)
			High	Dual-compound epoxy primer (x 4) Water-soluble dual-compound enamel with acrylic-polyurethan resins	300	3HRAL5010 (blue)
Outdoor applications in saline environment 1)	Excellent resistance to atmospheric and aggressive agents Outdoor applications in saline environment	C 5 - M	Medium	Sand blasting Dual-compound antirust primer with zinc phosphates Dual-compound epoxy primer Water-soluble dual-compound enamel with acrylic-polyurethan resins	300	2IRAL5010 (blue)
			High	Sand blasting Dual-compound antirust primer with zinc phosphates Recess sealing with polyurethan sealant Dual-compound epoxy primer Water-soluble dual-compound enamel with acrylic-polyurethan resins	400	2KRAL5010 (blue)
Outdoor applications in chemically aggressive environment and high humidity industrial areas 1)	Excellent resistance to atmospheric and aggressive agents Outdoor applications in chemically aggressive environment (fertilizers, etc.)	C 5 - I	Medium	Sand blasting Dual-compound antirust primer with zinc phosphates Dual-compound epoxy primer Water-soluble dual-compound enamel with epoxy resins	300	2LRAL5010 (blue)
			High	Sand blasting Dual-compound antirust primer with zinc phosphates Recess sealing with polyurethan sealant Dual-compound epoxy primer Water-soluble dual-compound enamel with epoxy resins	400	2YRAL5010 (blue)

1) For sizes 40 ... 63 please consult us.
Gearmotor paint cycle does not include sandblasting.

Other colors are available on request, preferred RAL codes are as follows:

1000, 1003, 1004, 1013, 1014, 1015, 1016, 1018, 1021, 1023, 1028,

2000, 2001, 2002, 2003, 2004, 2009, 2010,

3000, 3001, 3002, 3003, 3005, 3007, 3011, 3016, 3020,

4003,

5000, 5001, 5002, 5003, 5005, 5007, 5008, 5009, 5011, 5012, 5013, 5015, 5017, 5018, 5019, 5021, 5022, 5023, 5024,

6000, 6001, 6003, 6004, 6005, 6010, 6011, 6012, 6017, 6018, 6019, 6020, 6021, 6024, 6025, 6026, 6027, 6028, 6029, 6032, 6033, 6037,

7000, 7001, 7004, 7006, 7011, 7012, 7015, 7016, 7021, 7022, 7023, 7024, 7030, 7031, 7032, 7033, 7034, 7035, 7036, 7037, 7038, 7040, 7042, 7043, 7044, 7046, 7048,

8012, 8014,

9001, 9002, 9003, 9005, 9011, 9017, 9006, 9007, 9010, 9016, 9018, 9023

(25) Heater (sizes 125 ... 360)

Oil heater for starting at low ambient temperature.

Specify the design «Oil temperature probe» together with this design.

The heater is piloted through proper control device (at customer's care e.g.: PLC or supplied by Rossi e.g. 2-threshold signalling device CT03 or three-threshold signalling device CT10) releasing when achieving the pre-set oil temperature.

IMPORTANT. The data stated in the table refer to **mounting positions B3 and B8 only**; for other mounting positions, consult us.

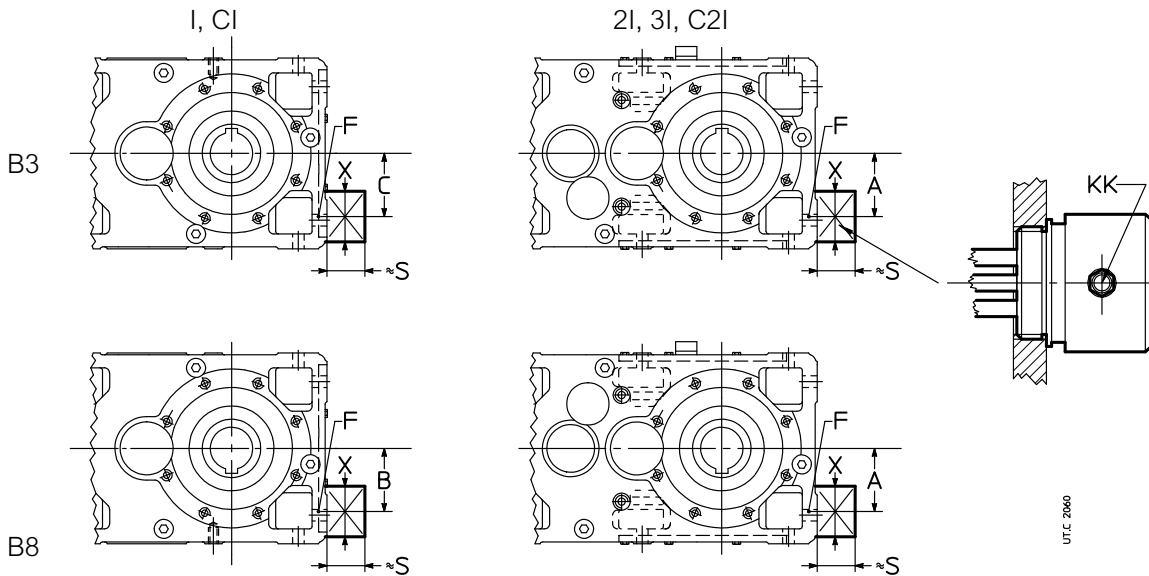
The design can be not compatible with other designs (e.g. internal pump...), consult us.

Not possible for train of gears ICI and C3I.

Features:

- specific power 2W/cm²;
- single phase supply 230 V 50-60 Hz or three-phase supply Δ 230 Y 400 V 50-60 Hz (see table);
- stainless steel resistors AISI 321;
- metallic terminal box; cable gland protection IP 65;
- horizontal mounting with oil bath lubrication;
- max oil temperature 90 °C;
- threaded brass joint;
- available also in ATEX design; dimension and power values change, please consult us.

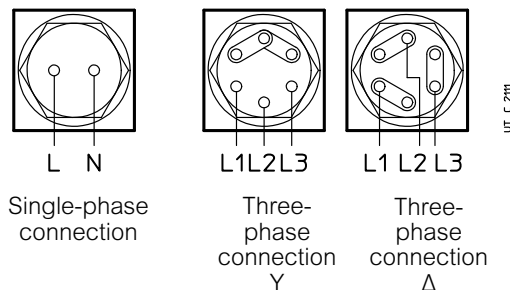
Supplementary description when ordering by **designation: oil heater**.



Size	A	B	C	F	L ¹⁾ ≈	S ≈	X ≈	P W	KK	Supply
125	85	85	85	G 1"	215	85	85	300	Pg 11	1~ 230 V 50-60 Hz
140	100	85	100	G 1" 1/4	240			600		
160	125	114	114					900		
180		100	125							
200	150	146	146	G 1" 1/2	360	90		Pg 13	3~ Δ230 Y400 V 50-60 Hz	
225		140	155	G 2"	310					1500
250	200	170	170							2100
280		170	235							
320, 321	250	235	235		410					
360		222	318							

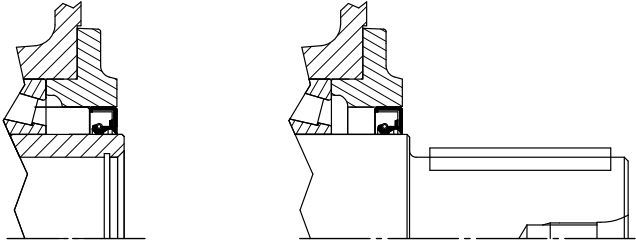
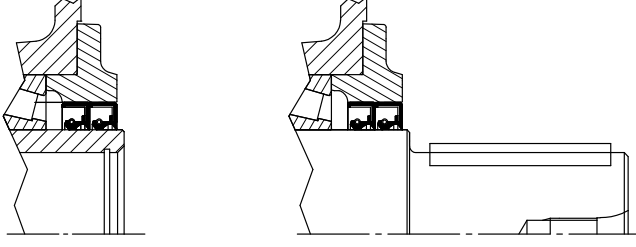
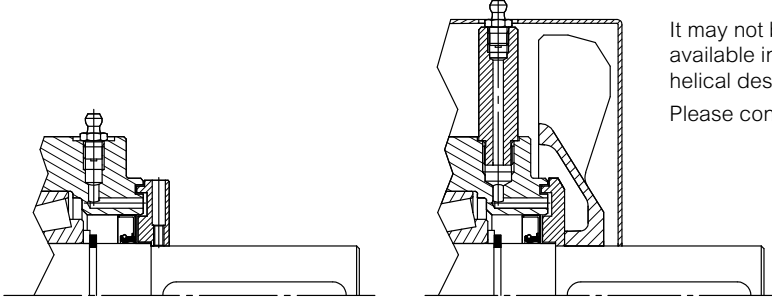
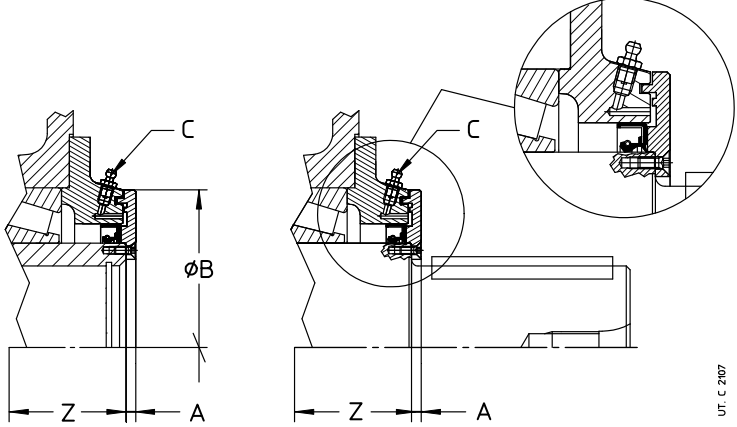
1) Maximum oil heater length.

Wiring schemes:



(26) Seals on high and low speed shafts (sizes 125 ... 360)

The seal types available (standard and on request) for sizes 125 ... 360 on low and high speed shaft, are stated in the following table; for size ≤ 100 , consult us.

Type of seal	Scheme																																																	
<p>Standard</p>																																																		
<p>High speed shaft double seal Environment is quite dirty and/or outdoor</p> <p>Low speed shaft double seal Environment is quite dirty and/or outdoor</p>	 <p>Additional description when ordering by designation: high speed shaft double seal. low speed shaft double seal.</p>																																																	
<p>Labyrinth seal and high speed shaft greaser («taconite») Environment is very dirty (e.g.: mining industry)</p>	 <p>It may not be always available in the bevel helical design with fan. Please consult us.</p> <p>Additional description when ordering by designation: labyrinth seal and high speed shaft greaser.</p>																																																	
<p>Labyrinth seal with low speed shaft greaser («taconite») Environment is very dirty (e.g.: mining industry) 1)</p>	 <p>Note: for Z dimension see ch. 8, 10, 12 and 14.</p> <p>Additional description when ordering by designation: labyrinth seal and low speed shaft greaser.</p> <table border="1" data-bbox="1270 1760 1493 2047"> <thead> <tr> <th>Size</th> <th>A</th> <th>B</th> <th>C</th> </tr> <tr> <td></td> <td></td> <td>Ø</td> <td>nr.1</td> </tr> </thead> <tbody> <tr> <td>125</td> <td>5</td> <td>138</td> <td>M6</td> </tr> <tr> <td>140</td> <td>5</td> <td>155</td> <td>M6</td> </tr> <tr> <td>160</td> <td>6</td> <td>178</td> <td>M8</td> </tr> <tr> <td>180</td> <td>6</td> <td>175</td> <td>M8</td> </tr> <tr> <td>200</td> <td>8</td> <td>195</td> <td>M8</td> </tr> <tr> <td>225</td> <td>8</td> <td>195</td> <td>M8</td> </tr> <tr> <td>250</td> <td>8</td> <td>242</td> <td>M8</td> </tr> <tr> <td>280</td> <td>9</td> <td>242</td> <td>M8</td> </tr> <tr> <td>320, 321</td> <td>9</td> <td>310</td> <td>M8</td> </tr> <tr> <td>360</td> <td>9</td> <td>310</td> <td>M8</td> </tr> </tbody> </table> <p>UT. C 2407</p>		Size	A	B	C			Ø	nr.1	125	5	138	M6	140	5	155	M6	160	6	178	M8	180	6	175	M8	200	8	195	M8	225	8	195	M8	250	8	242	M8	280	9	242	M8	320, 321	9	310	M8	360	9	310	M8
Size	A	B	C																																															
		Ø	nr.1																																															
125	5	138	M6																																															
140	5	155	M6																																															
160	6	178	M8																																															
180	6	175	M8																																															
200	8	195	M8																																															
225	8	195	M8																																															
250	8	242	M8																																															
280	9	242	M8																																															
320, 321	9	310	M8																																															
360	9	310	M8																																															

1) The labyrinth disc overhangs from A dimension compared with shaft shoulder; the length of low speed shaft end is equal to E - A (for dimension E see ch. 17 (1) and (2)).

Notes.

- The compound of seal rings is acrylonitrilic as standard; on request, seal rings with fluoro compound are available (e.g.: for high temperatures, for aggressive environments or for high rotation speed, etc.); specify in the designation: **seal with fluoro compound**.
- The **double seal of high speed shaft** is generally **to be avoided** as the bigger localized heating reduces the life of seal; for gearmotors the design can be supplied only on the eventual double extension high speed shaft; for gear reducers, the design can be supplied according to the following scheme.

Size	Double seal on high speed shaft											
	R I		R 2I		R 3I		R CI		R ICI		R C2I	
	shaft end normal	shaft end double ext.	shaft end normal	shaft end double ext.	shaft end normal	shaft end double ext.	shaft end normal	shaft end double ext.	shaft end normal	shaft end double ext.	shaft end normal	shaft end double ext.
125	●	●	●	●	-	●	●	●	●	-	●	-
140	-	-	●	●	●	●	●	●	●	-	●	●
160	●	●	●	●	●	●	●	●	●	-	●	●
180	-	-	●	●	●	●	●	●	●	-	●	●
200, 225	-	-	●	●	●	●	●	●	●	-	●	●
250, 280	-	-	●	●	●	●	●	●	●	-	-	●
320 ... 360	●	●	●	●	-	●	●	●	●	-	-	●

- Design possible
- Design not possible; consult us, if need be.

- In case of **double seal**, the external seal ring can be counter mounted (e.g. in presence of water jets); specify in the designation: **external ring counter mounted**.
- The design **seal with labyrinth and high speed shaft greaser** can be supplied only after technical verification of feasibility by Rossi S.p.A.: consult us.
- The **hollow shaft with shrink disc** (see ch. 17 (6)) can be supplied with **labyrinth seal** only on **opposite side** to shrink disc; in this case foresee the «**hollow low speed shaft protection with shrink disc**» (see ch. 17 (7)); when this design is not available, consult us.
- For the additional description to the **designation** when ordering, see table on the previous page.

(27) Magnetic plug (sizes 125 ... 360)

In order to reduce lubricant contamination and to increase the maintenance interval and oil replacement, gear reducers and gearmotors size ≥ 125 can be supplied with magnetic plug.

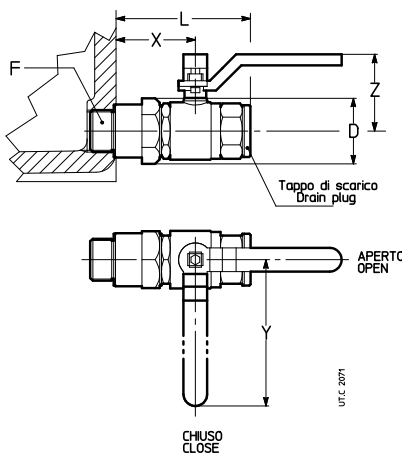
In presence of oil drain tap (28) the oil drain magnetic plug is mounted in a second drain hole on housing and not in the tap.

Additional description when ordering by **designation: oil drain magnetic plug**.

(28) Oil drain tap (sizes 125 ... 360)

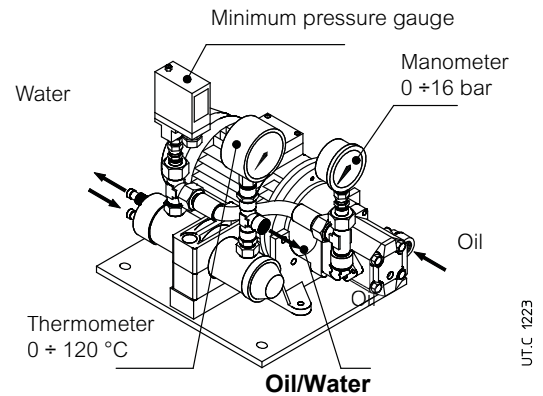
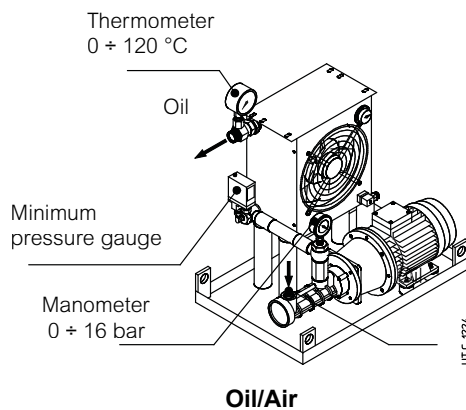
The gear reducers and gearmotors size ≥ 125 can be supplied with oil drain tap (accessory already assembled) in place of the drain plugs (see ch. 8, 10, 12, 14).

Additional description when ordering by **designation: oil drain tap**.



Size	F	D Ø	L ≈	X	Y	Z
125, 140	G 1/2"	31	80	50	80	40
160 ÷ 280	G 3/4"	40	90	56	112	55
320 ÷ 360	G 1"	46	106	66	115	60

(29) Independent cooling unit



Additional cooling device in the event that the other forced cooling systems are not sufficient for the dissipation of thermal power produced by gear reducer during operation (see ch. 4).

Including:

- **oil/air heat exchanger** (O/A; with thermostat and adjustable control knob 0 ÷ 90 °C) or **oil/water heat exchanger** (O/W),
- **motor pump**: screw pump with fluoro rubber seals (gear pump for UR O/W4 ÷ UR O/W 21); 4 pole motor B3/B5 (three-phase Δ230 Y400 V 50 Hz); motor-pump connection with coupling;
- **motor fan** (O/A) (three-phase supply Δ230 Y400 V 50 Hz or single phase supply 230 V 50, 60 Hz, see next table)
- **analogic manometer** (0 ÷ 16 bar) mounted between pump and exchanger;
- **analogic thermometer** (0 ÷ 120 °C) mounted at exchanger output;
- **low pressure switch** (with on-off switch) mounted between pump and exchanger;
- **supporting frame** with nameplate.

On request, several accessories are at disposal (supplied separately, assembled by Customer) in order to satisfy all functionality and safety needs.

- **oil temperature probe Pt100**;
- **2-threshold signalling device CT03** (necessary also the oil temperature probe Pt100) for the mounting on rail to DIN EN 50022;
- **3-threshold signalling device CT10** (necessary also the oil temperature probe Pt100) for the mounting on rail to DIN EN 50022;
- **bi-metal type thermostat**;
- **flow gauge**;
- **filter** (with optical-eletric blockage warning and one or two filters M60)

Connections realized by flexible pipes (type SAE 100 R1, maximum length 2 m) between gear reducer and cooling unit and the assembly of accessories and signalling devices are Buyer's responsibility.

For the heat exchanger power required by the independent cooling unit:

$$P_s \geq (P_1 - P_{t_N} \cdot f_{t_1} \cdot f_{t_2} \cdot f_{t_3} \cdot f_{t_4} \cdot f_{t_5}) \cdot (1 - \eta) \cdot K_1$$

where:

- P_s nominal power of unit [kW], i.e. the power dissippable with hot oil at approx. 80 °C and cooling air at 40 °C (O/A) or cooling water at 20 °C (O/W) with stated capacity (see next table);
- P_1 power at gear reducer input [kW] (consider the power installed when being uncertain about the power absorbed).
- P_{t_N} nominal thermal power of gear reducer [kW] (see ch. 4);
- f_{t_1} thermal factor according to input speed (see ch. 4);
- f_{t_2} thermal factor according to ambient temperature (see ch. 4);
- f_{t_3} thermal factor according to mounting position (see ch. 4);
- f_{t_4} thermal factor according to altitude (see ch. 4); for UR O/A derate also the exchanger power: multiply P_s by 0,85 (for 1 000 ÷ 2 500 m a.s.l.) or by 0,71 (for 2 500 ÷ 5 000 m a.s.l.);
- f_{t_5} thermal factor according to air speed on the housing (see ch. 22);
- η gear reducer efficiency (see ch. 6);
- $K_1 = 1,18$ takes into account the decrease of the exchanger efficiency due to dirt on the external surface.

Designation	Ps kW	Exchanger	Oil motor pump		Motor fan		Oil connections		Exchanger capacity dm ³	Mass kg	
			motor 3~ kW	flow dm ³ /min	motor kW	flow m ³ /h	intake	delivery			
UR O/A 5	5	AP 300E	1,5	30	0,12	1~	900	1" (1"1/4) ²⁾	1" (1"1/4) ²⁾	2	60
UR O/A 7	7	AP 300/2E	1,5	30	0,12	1~	1300			3,6	65
UR O/A 10	10	AP 430E	1,5	30	0,21	3~	2750			3,6	70
UR O/A 13	13	AP 430/2E	1,5	30	0,18	3~	2700			5,5	75
UR O/A 16	16	AP 580 EB	2,2	56	0,18	3~	3500			15	96
UR O/A 21	21	AP 680 EB	2,2	56	0,69	3~	6300			16	118
UR O/A 26	26	AP 730 EB	3	56	0,69	3~	7450	1" 1/4	1" 1/2 (1") ¹⁾	16	127
UR O/A 30	30	AP 730 EB	3	80	0,69	3~	7450			16	127
UR O/A 40	40	AP 830 EB	2,2	56	0,81	3~	9500			20	140
UR O/A 46	46	AP 830 EB	3	80	0,81	3~	9500			20	140
										20	140

Designation	Ps kW	Exchanger	Oil motor pump		Water		Oil connections		Exchanger capacity dm ³	Mass kg
			motor 3~ kW	flow dm ³ /min	flow dm ³ /min	connection	intake	delivery		
UR O/W 4	4	T60CB1	0,37	16	≥ 8 (≤ 30)	Ø 12	G 1/2"	G 1/2"	0,4	13
UR O/W 6	6	T60CB2	0,37	16	≥ 10 (≤ 30)	Ø 12	G 1/2"	G 1/2"	0,6	15
UR O/W 9	9	T80CB2	0,55	16	≥ 16 (≤ 30)	Ø 12	G 1/2"	G 1/2"	1	18
UR O/W 13	13	MS84P2	1,1	30	≥ 25 (≤ 45)	G 1/2"	G 3/4"	G 3/4"	1	31
UR O/W 21	21	MS134P1	1,5	30	≥ 40 (≤ 110)	G 1"	G 3/4"	G 3/4"	3	44
UR O/W 31	31	MS134P1	2,2	56	≥ 50 (≤ 110)	G 1"	G 1"1/4	G 1"1/4	3	55
UR O/W 50	50	MS134P2	3	80	≥ 80 (≤ 110)	G 1"	G 1"1/4	G 1"1/4	4,5	70

Starting mode and required accessories

Ref.	Gear reducer lubrication system	Gear reducer starting mode	T _{amb} °C	Required accessories	Required oil type	Description and remarks
A1	Splash lubrication	Without oil pre-heating	0 ÷ 25	Pt100 + CT10	Mineral oil or synthetic oil (preferable)	Gear reducer starting and subsequent motor-pump starting with warm oil. The motor-pump is managed by the three-threshold oil temperature control system (Pt100 + CT10). Set the three-threshold device CT10 with: – operating temperature 60 °C (starting of motor-pump); – restoring temperature 40 °C; – warning temperature 90° C.
A2	Splash lubrication	Without oil pre-heating	> 25	–	Polyalphaolefine based synthetic oil	Simultaneous starting of gear reducer and motor-pump Oil filter not possible ⁴⁾ .
B1	Forced lubrication (bearings and/or gears)	With oil pre-heating	0 ÷ 25	Pt100 + CT03 Pt100 + CT10 Oil heater	Mineral oil or synthetic oil (preferable)	Simultaneous starting of gear reducer and motor-pump after oil pre-heating³⁾. The oil heater is managed by the two-threshold oil temperature control system (Pt100 + CT03). The motor-pump and the gear reducer motor are managed by the three-threshold oil temperature control system (Pt100 + CT10). Set the two-threshold device CT03 with: – operating temperature 50 °C (oil heater disconnection); – restoring temperature 30° C. Set the three-threshold device CT10 with: – operating temperature 40 °C (starting of motor-pump and gear reducer motor); – restoring temperature 10 °C; – warning temperature 90° C.
B2	Forced lubrication (bearings and/or gears)	Without oil pre-heating	> 25	–	Polyalphaolefine based synthetic oil	Simultaneous starting of gear reducer and motor-pump³⁾ Oil filter not possible ⁴⁾ .

1) Connection for delivery UR O/A 16.

2) Connection for delivery in case of filter.

3) It is advisable to delay the gear reducer motor starting by at least 1 min compared to the motor pump starting.

4) The oil filter requires that cooling unit is started with oil already warm: refer to case A1 or B1.

Additional description when ordering by **designation**:

independent oil-air cooling unit UR O/A ... or **independent oil-water cooling unit UR O/W ...**, possibly integrated, when required by the application, with description: «**Forced lubrication ...**» and the statement of bearings and/or gear pairs to be lubricated. For dimensions, accessories and further technical details, see specific literature.

(30) Oil temperature probe (sizes 125 ... 360)

Remote oil temperature gauge; installation (at Buyer's responsibility) instead of an existing drain plug, or into a hole properly pre-arranged. The temperature gauge is realized with a thermo-resistor Pt100 having following features:

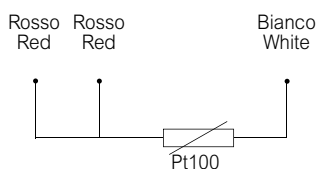
- platinum wire with 100 Ω at 0 °C according to EN 60751;
- precision class B according to EN 60751;
- operation temperature field -40 °C ÷ 200 °C;
- max current 3 mA;
- 3 wires connection according to IEC 751 (see fig. below);
- stainless steel probe AISI 316; diameter 6 mm;
- cable 1 m long with free end.

For the connection of probe to relevant signalling device CT03 or CT10 (on request, consult us) use a protected section cable $\geq 1,5 \text{ mm}^2$ positioned separately from power cables.

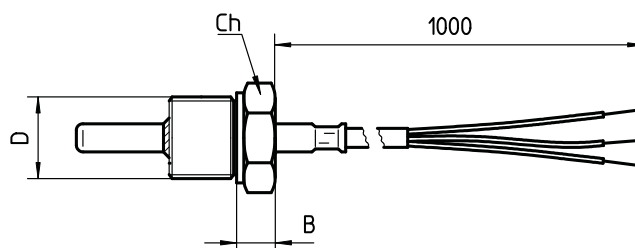
In case of gear reducer supplied with oil and optional oil temperature probe, for the assembly of the same probe.

It is necessary to position the gear reducer so that the probe seating hole is upwards; if this is not possible, it is necessary to arrange a probe already equipped with a bulb pre-assembled in the factory, whose position has to be agreed in advance with Rossi; consult us.

Supplementary description when ordering by **designation: oil temperature probe.**



Size	B	Ch (key)	D
125, 140	8	22	G 1/2"
160 ... 280	10	32	G 3/4"
320 ... 360	15	36	G 1"



UTC 2003

(31) Oil temperature probe with terminal box and amperometric transducer 4 ÷ 20 mA (sizes 125 ... 360)

Remote oil temperature gauge, with terminal box and amperometric transducer; installation (at Buyer's responsibility) instead of drain plug. The temperature gauge is realized with a thermo-resistor Pt100 having following features:

- platinum wire with 100 Ω at 0 °C according to EN 60751;
- precision class B according to EN 60751;
- temperature range -40 °C ÷ 200 °C;
- 3 wires connection according to IEC 751 (see fig. below);
- stainless steel probe AISI 316; diameter 6 mm;
- amperometric transducer with output signal 4 ÷ 20 mA;
- aluminium terminal block (supplied without cable gland);
- protection IP65;
- input cables G 1/2".

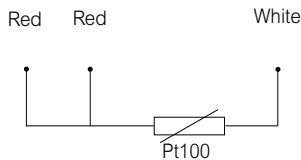
For the connection of probe to relevant signalling device use a protected section cable ≥ 1,5 mm² positioned separately from power cables.

ATTENTION. Accessory available only for technical feasibility evaluation by Rossi S.p.A.: consult us.

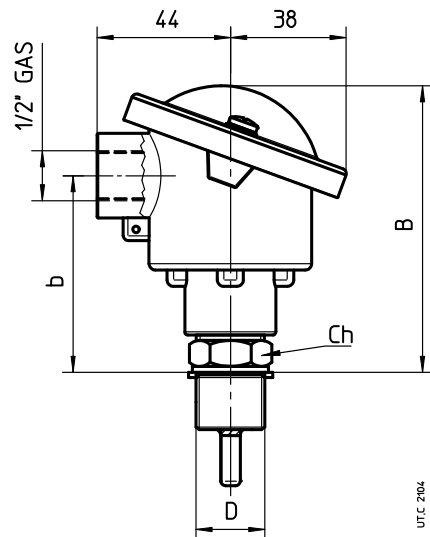
In case of gear reducer supplied with oil and optional oil temperature probe, for the assembly of the same probe.

It is necessary to position the gear reducer so that the probe seating hole is upwards; if this is not possible, it is necessary to arrange a probe already equipped with a bulb pre-assembled in the factory, whose position has to be agreed in advance with Rossi; consult us.

Supplementary description when ordering by **designation: oil temperature probe with terminal box and amperometric transducer.**



Size	B	Ch (key)	b	D
125, 140	90	24	60	G 1/2"
160 ... 280	92	32	62	G 3/4"
320 ... 360	97	36	67	G 1"



(32) Bearing temperature probe (sizes 125 ... 360)

Probe for the remote monitoring of bearing temperature; installation (at Buyer's responsibility) into a hole properly pre-arranged, next to a bearing to **be agreed during order phase** (for the most common cases, in order to facilitate the identification of bearing to be monitored, refer to following scheme).

The temperature gauge is realized with a thermo-resistor Pt100 having following features:

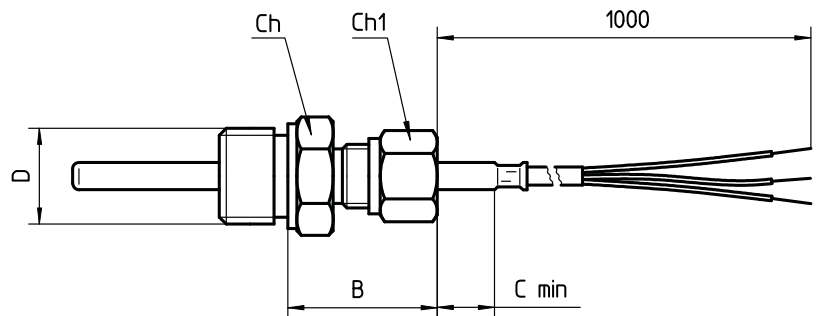
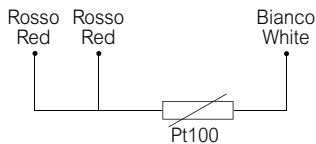
- platinum wire with 100 Ω at 0 °C according to EN 60751;
- precision class B according to EN 60751;
- temperature range -40 °C ÷ 200 °C;
- max current 40 mA;
- 3 wire connection according to IEC 751 (see fig. below);
- stainless steel AISI 316 flat probe; diameter 6 mm;
- stainless steel sliding fillet.

Not available for ICI and C3I train of gears.

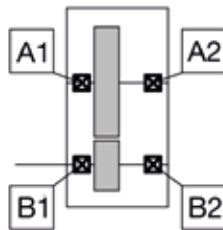
For gearmotors, positions A1 and A2 not available.

For the connection of probe to relevant signalling device CT03 or CT10 use a protected section cable ≥ 1,5 mm² positioned separately from power cables.

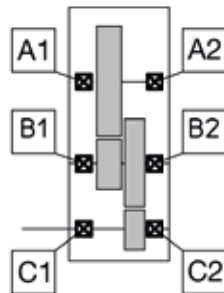
Supplementary description when ordering by **designation: bearing temperature probe**.



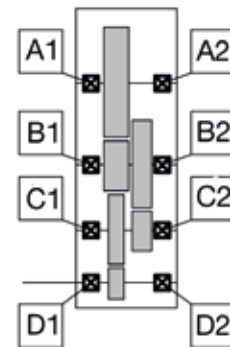
Size	C _{min}	B	Ch (key)	Ch1 (key)	D
125 ... 360	5	32	24	17	G 1/2"



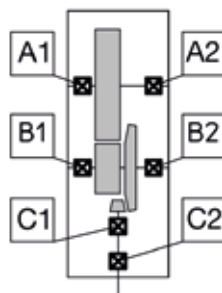
I ... UP2A



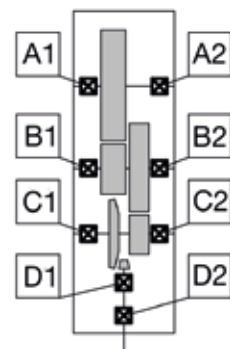
2I ... UP2A



3I ... UP2A



CI ... UO2A (UO2V)



C2I ... UO2A (UO2V)

UTC 2/05

UT. C 2/02

(33) Bearing temperature probe with terminal box and amperometric transducer 4 ÷ 20 mA (sizes 125 ... 360)

Probe for remote bearing temperature monitoring, with terminal box and amperometric transducer; installation (at Buyer's responsibility) in a threaded hole properly pre-arranged next to a bearing **to be agreed when ordering** (for the most common cases, in order to facilitate the identification of the bearing to be monitored, it is possible to refer to the scheme at (32)).

The temperature gauge is realized with a thermo-resistor Pt100 having following features:

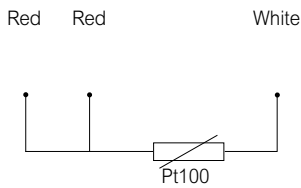
- platinum wire with 100 Ω at 0 °C according to EN 60751;
- precision class B according to EN 60751;
- temperature range -40 °C ÷ 200 °C;
- 3 wire connection according to IEC 751 (see fig. below);
- amperometric transducer with output signal 4 ÷ 20 mA;
- aluminium terminal block (supplied without cable gland);
- protection IP65;
- input cables G 1/2";
- stainless steel AISI 316 flat probe; diameter 6 mm;
- stainless steel **sliding** fillet.

For the connection of probe to relevant signalling device use a protected section cable ≥ 1,5 mm² positioned separately from power cables.

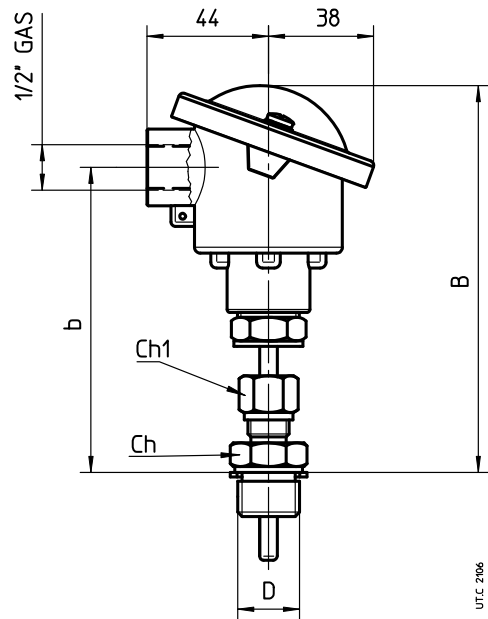
Not available for ICI and C3I train of gears.

For gearmotors, positions A1 and A2 not available.

Supplementary description when ordering by **designation**: bearing temperature probe with **amperometric transducer**.



Size	B	b	Ch (key)	Ch1 (key)	D
125 ... 360	134	104	24	17	G 1/2"



(34) Bi-metal type thermostat (sizes 100 ... 360)

Gear reducers and garmotors sizes ≥ 100 can be supplied with bimetal type thermostat for the control of the maximum admissible oil temperature.

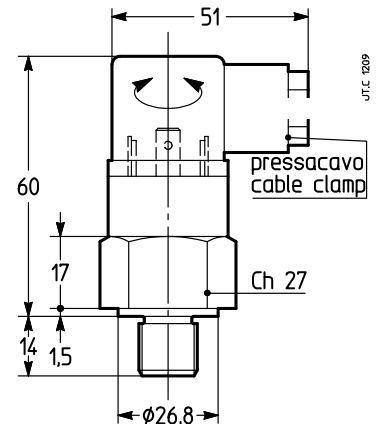
Thermostat specifications:

- NC contact with maximum alternate current 10 A - 240 V d.c. (5 A - 24 V d.c.);
- G 1/2" thread connection;
- Pg 09 DIN 43650 cable gland;
- IP65 protection;
- Setting temperature $90\text{ }^{\circ}\text{C} \pm 5\text{ }^{\circ}\text{C}$ (other setting temperatures are possible, on request);
- Differential temperature $15\text{ }^{\circ}\text{C}$.

Mounting into a threaded hole (position to be defined according to mounting position and mounting arrangement: consult us) and oil bath lubrication is Buyer's responsibility.

ATTENTION. Accessory available only for technical feasibility evaluation by Rossi S.p.A.: consult us.

Supplementary description when ordering by **designation: bimetal type thermostat.**



(35) Oil level switch with float (sizes 125 ... 360)

It is a level control device with reed contacts in a supporting stem moved by the magnetic field activated by the magnets included in the float.

The float and the supporting stem are included in a hollow column of not magnetic material connected to the gear reducer housing through communicating vessels.

Connecting features:

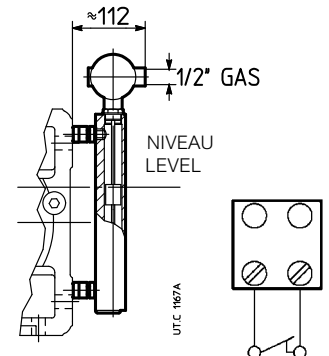
- 2 wires connection;
- maximum voltage: 350 V
- maximum current: 1.5 A
- 1 cable input 1/2" UNI 6125 - IP65
- G 1" brass joint.

The switch is supplied ready for use; when level goes down approx 5 mm, the switch goes on and contact opens.

When filling oil in the gear reducer it is necessary to verify that device is properly calibrated. If any problems occur during this operation contact Rossi.

ATTENTION. Accessory available only for technical feasibility evaluation by Rossi S.p.A.: consult us.

Supplementary description when ordering by **designation: oil level switch with float**



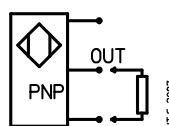
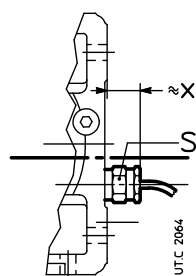
(36) Oil optical probe (sizes 125 ... 360)

Optical scanner, without mobile parts, for the constant control of oil level, inside the gear reducer (at rest).

Features:

- stainless steel probe;
- operating temperature range $-40\text{ }^{\circ}\text{C} + 125\text{ }^{\circ}\text{C}$
- d.c. supply $12 \pm 28\text{ V}$ (other types on request, consult us);
- PNP output (other types on request, consult us), max 100 mA;
- male coupling G 3/8", G 1/2", G 3/4", G 1" according to gear reducer size.

Supplementary description when ordering by **designation: oil optical probe.**



Size	S	x
125 ... 140	27	40
160 ... 360	36	45

(37) Gear reducer design ATEX II 2 GD and 3 GD (sizes 40 ... 360)

Helical and bevel helical gear reducers and gearmotors may be supplied according to Directive ATEX in order to be used in potentially explosive atmospheres – category **2 GD** (for operation in zones 1 (gas), 21 (dust): **probable** presence of explosive atmosphere) and **3 GD** (for operation in zones 2 (gas), 22 (dust): **improbable** presence of explosive atmosphere) – with surface temperature T 135 °C (T4).

These are the main variations of the product:

- fluoro-rubber seal rings;
- metal plugs; filler plug with filter and valve;
- special name plate with ATEX mark and indication of application limits;
- external protection based on a water-soluble dual-compound polyurethane **conductive** enamel, **color grey** RAL 7040, corrosivity class C3 ISO 12944-2;
- «ATEX instructions» manual.

For category **2 GD**¹⁾, depending on **minimum control intervals**, also:

2 GD monthly control

- double seal rings on low speed shaft;

2 GD quarterly control (sizes 125 ... 360):

- double seal rings on low speed shaft;
- oil temperature probe;
- possible bearing temperature probes.

This solution is advisable when the gear reducer has difficult access or when a decrease in control frequency is desired.

Temperature range: -20 ÷ +40 °C (0 ÷ +40 °C for gear reducers supplied with bearing lubrication pump).

The «**ATEX instructions**» (with the additional documentation, if any) are **integral part of the supply of each gear reducer**; every indication stated in it must be carefully applied. Consult us if need be.

Attention. In the following cases ATEX design of gear reducer is incompatible with accessories and non-standard designs:

Accessory or non-standard design	Gear reducer ATEX II design	
	2 GD	3 GD
Hollow low speed shaft with shrink disc (6)	●	●
Optional paint according to cycles 3H..., 2L..., 2L... (24)	○	○
Heater (25)	○	○
Labyrinth seal and greaser (26)	●	●
Independent cooling unit (29)	–	–
Oil temperature probes (30) (31)	○	○
Bearing temperature probes (32) (33)	○	○
Bi-metal type thermostat (34)	–	–
Oil level switch with float (35)	2)	●
NEMA C-Face adapter (38)	●	●
Hollow low speed shaft protection (20) (22) for sizes 63 ... 160	–	–

– Not available.

● Available.

○ Available but in ATEX design suitable for gear reducer's ATEX design and for use purpose and area.

1) The presence of bearing lubrication pump requires one or more additional bearing temperature probes.

2) This accessory is available for category 2 G (zone 1) only.

Gear reducer size selection

Determine the size of gear reducer as indicated in ch. 5 considering following additional indications:

- **maximum input speed** $n_1 \leq 1\,500 \text{ min}^{-1}$; for other input speed, consult us.
- **service factor required** determined as per ch. 3, increased by table correction factor $f_{s_{ATEX}}$. (see table 1) and anyway **never lower than 1**; in presence of a hollow shaft with shrink disc (6) verify that maximum peak torque is always lower than $M_{2SD} / f_{s_{ATEX}}$ (for M_{2SD} values see ch. 17(6)).
- thermal power P_t verified as per ch. 4 according to nominal thermal power P_{t_N} increased by thermal factors $f_{t_1}^{(1)} \dots f_{t_4}$ and f_{ATEX} corrective factor (see table 1).

Table 1 - Corrective factors for ATEX design of service factor required and of nominal thermal power

Category	$f_{s_{ATEX}}$	f_{ATEX}
2 GD	1,18	0,8 (0,71 for I and CI)
3 GD	1,06	0,9 (0,8 for I and CI)

1) When determining f_{t_1} consider a value of $f_{t_{1a}}$ (see page 28) **never exceeding 1**.

Supplementary description when ordering by **designation**²⁾:

design ATEX II ...

... 3 GD T4

sizes 40 ... 360

... 2 GD T4 monthly control

sizes 40 ... 360

... 2 GD T4 quarterly control

sizes 125 ... 360

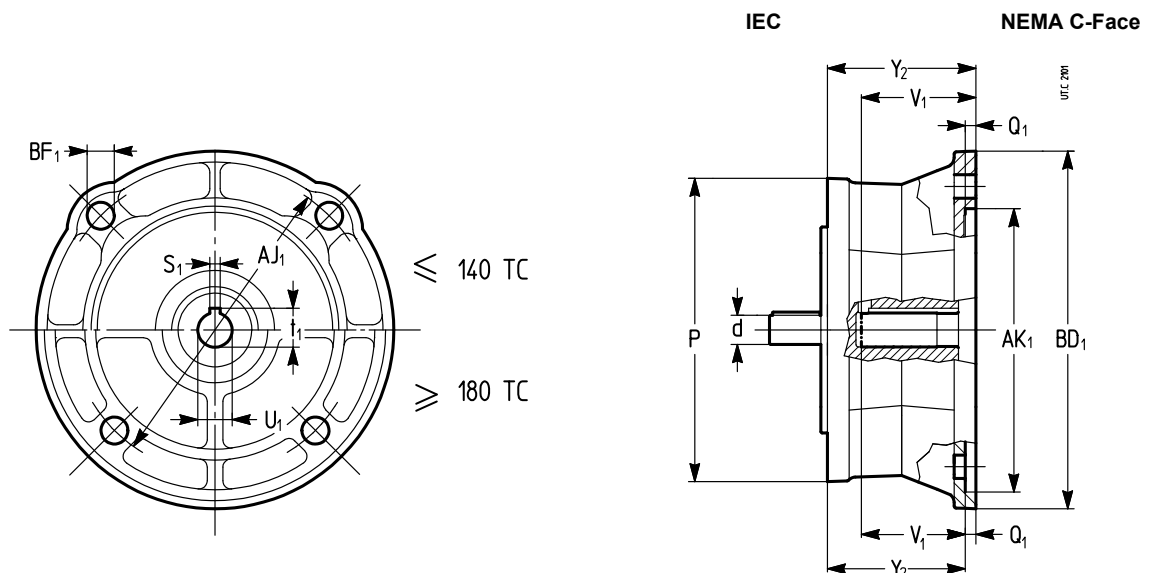
2) This designation, in case of gearmotor, refers to the gear reducer part only.

(38) NEMA C-Face adapter (IEC motor sizes 63 ... 225)

Accessory for the transformation of motor coupling dimensions, at gearmotor input, from IEC to NEMA C-Face; available for IEC-NEMA motor size combinations stated in the table; other combinations on request; consult us. Mounted on gear reducer.

For the **verification of maximum flange bending moment MR** (see ch. 6) it is necessary to add the value of Y_2 [mm] to HF dimension (ch. 6) and include in the mass of motor NEMA [kg] the mass of adapter [kg].

Supplementary description when ordering by **designation: MPN ...** (see following page).



IEC side		NEMA C-Face side											Designation code	
d × P Ø Ø	IEC motor size	NEMA motor size	U ₁ Ø	V ₁	S ₁	t ₁	BF ₁ Ø	AJ ₁ Ø	AK ₁ Ø	BD ₁ Ø	Q ₁	Y ₂		kg
			1) mm in	mm in	2) mm in	mm in	mm in	mm in	3) mm in	mm in	mm in	mm in		kg lb
11 × 140	63B5	56C	15,9 0,625	52,3 2,06	4,8 0,188	18,0 0,709	10,9 0,43	149,2 5,875	114,3 4,5	165,1 6,5	5,1 0,2	68,6 2,7	3,1 6,9	MPN 63 B5 - 56 C
14 × 140	71B5A	56C	15,9 0,625	52,3 2,06	4,8 0,188	18,0 0,709	10,9 0,43	149,2 5,875	114,3 4,5	165,1 6,5	5,1 0,2	68,6 2,7	3,1 6,9	MPN 71 B5A - 56 C
14 × 160	71B5	56C	15,9 0,625	52,3 2,06	4,8 0,188	18,0 0,709	10,9 0,43	149,2 5,875	114,3 4,5	165,1 6,5	5,1 0,2	68,6 2,7	3,4 7,5	MPN 71 B5 - 56 C
19 × 160	80B5A	56C	15,9 0,625	52,3 2,06	4,8 0,188	18,0 0,709	10,9 0,43	149,2 5,875	114,3 4,5	165,1 6,5	5,1 0,2	68,6 2,7	3,4 7,6	MPN 80 B5A - 56 C
19 × 200	80B5	56C	15,9 0,625	52,3 2,06	4,8 0,188	18,0 0,709	10,9 0,43	149,2 5,875	114,3 4,5	165,1 6,5	5,1 0,2	68,6 2,7	4,4 9,6	MPN 80 B5 - 56 C
19 × 160	80B5A	140TC	22,2 0,875	53,8 2,12	4,8 0,188	24,5 0,964	10,9 0,43	149,2 5,875	114,3 4,5	165,1 6,5	5,1 0,2	68,6 2,7	3,4 7,4	MPN 80 B5A - 140 TC
24 × 200	90B5	56C	15,9 0,625	52,3 2,06	4,8 0,188	18,0 0,709	10,9 0,43	149,2 5,875	114,3 4,5	165,1 6,5	5,1 0,2	68,6 2,7	4,4 9,8	MPN 90 B5 - 56 C
19 × 200	90B5R	140TC	22,2 0,875	53,8 2,12	4,8 0,188	24,5 0,964	10,9 0,43	149,2 5,875	114,3 4,5	165,1 6,5	5,1 0,2	68,6 2,7	4,3 9,4	MPN 90 B5R - 140 TC
24 × 200	90B5	140TC	22,2 0,875	53,8 2,12	4,8 0,188	24,5 0,964	10,9 0,43	149,2 5,875	114,3 4,5	165,1 6,5	5,1 0,2	68,6 2,7	4,4 9,6	MPN 90 B5 - 140 TC
19 × 200	90B5R	180TC	28,6 1,125	66,5 2,62	6,4 0,25	31,5 1,241	14,2 0,56	184,2 7,25	215,9 8,5	228,6 9	5,6 0,22	85,1 3,35	7,7 16,9	MPN 90 B5R - 180 TC
24 × 200	90B5	180TC	28,6 1,125	66,5 2,62	6,4 0,25	31,5 1,241	14,2 0,56	184,2 7,25	215,9 8,5	228,6 9	5,6 0,22	85,1 3,35	7,8 17,1	MPN 90 B5 - 180 TC
28 × 250	100B5	180TC	28,6 1,125	66,5 2,62	6,4 0,25	31,5 1,241	14,2 0,56	184,2 7,25	215,9 8,5	228,6 9	5,6 0,22	85,1 3,35	9,3 20,5	MPN 100 B5 - 180 TC
24 × 200	100B5R	210TC	34,9 1,375	79,2 3,12	7,9 0,312	38,6 1,518	14,2 0,56	184,2 7,25	215,9 8,5	228,6 9	5,6 0,22	102,5 4,04	9,2 20,3	MPN 100 B5R - 210 TC
28 × 250	100B5	210TC	34,9 1,375	79,2 3,12	7,9 0,312	38,6 1,518	14,2 0,56	184,2 7,25	215,9 8,5	228,6 9	5,6 0,22	102,5 4,04	10,8 23,9	MPN 100 B5 - 210 TC
38 × 300	132B5	210TC	34,9 1,374	79,2 3,12	7,9 0,311	38,6 1,520	14,5 0,57	184,2 7,25	215,9 8,5	228,6 9	5,5 0,22	102,5 4,04	13,6 29,98	MPN 132 B5 - 210TC
28 × 250	132B5R	250TC	41,3 1,625	95,3 3,75	9,5 0,375	45,6 1,796	14,2 0,56	184,2 7,25	215,9 8,5	254,0 10	5,6 0,22	120,5 4,74	13,8 30,4	MPN 132 B5R - 250 TC
38 × 300	132B5	250TC	41,3 1,626	95,3 3,75	9,5 0,374	45,6 1,795	14,5 0,57	184,2 7,25	215,9 8,5	254,0 10	5,5 0,22	120,5 4,74	17,2 37,8	MPN 132 B5 - 250TC
42 × 350	160B5	250TC	41,3 1,626	95,3 3,75	9,5 0,375	45,6 1,795	14,5 0,57	184,2 7,25	215,9 8,5	254,0 10	5,5 0,22	120,5 4,74	19,9 43,8	MPN 160 B5 - 250TC
48 × 350	180B5	280TC	47,6 1,874	111,1 4,37	12,7 0,5	53,2 2,094	14,5 0,57	228,6 9	266,7 10,5	285,8 11,25	5,5 0,22	139,5 5,49	24,5 54	MPN 180 B5 - 280TC
48 × 350	180B5	320TC	54,0 2,126	127,0 5	12,7 0,5	59,7 2,350	18,0 0,71	279,4 11	317,5 12,5	355,6 14	5,5 0,22	155,5 6,12	37,8 83,25	MPN 180 B5 - 320TC
55 × 400	200B5	320TC	54,0 2,126	127,0 5	12,7 0,5	59,7 2,350	18,0 0,71	279,4 11	317,5 12,5	355,6 14	5,5 0,22	155,5 6,12	42,1 92,8	MPN 200 B5 - 320TC
60 × 450	225B5	320TC	54,0 2,126	127,0 5	12,7 0,5	59,7 2,350	18,0 0,71	279,4 11	317,5 12,5	355,6 14	5,5 0,22	155,5 6,12	47,0 103,6	MPN 225 B5 - 320TC

1) Tolerance 0/+0,025 mm (0/+0,0010 in).

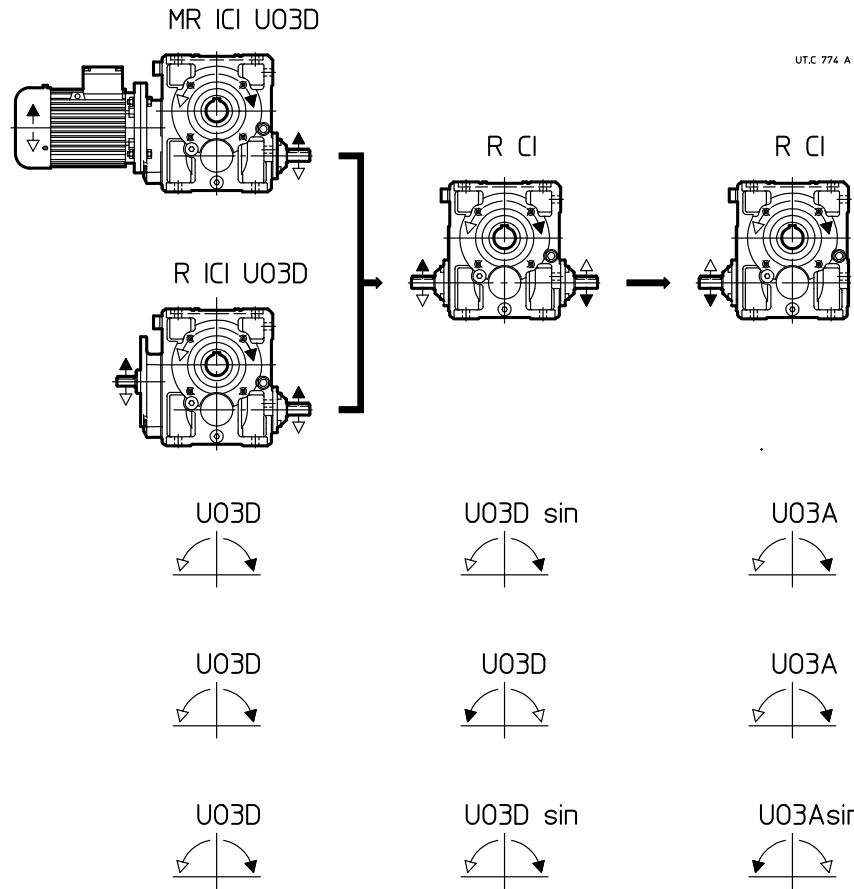
2) Tolerance 0/+0,051 mm (0/+0,0020 in).

3) Tolerance -0,018/+0,025 mm (-0,0007/+0,0010 in).

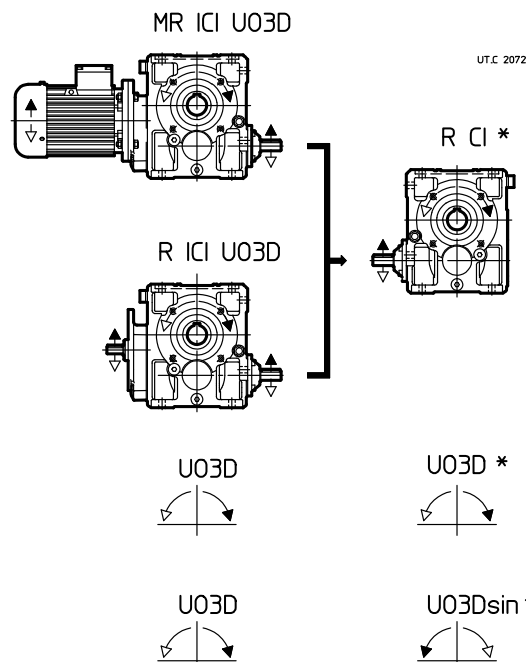
Miscellaneous

– Synchronous multiple drives:

gear reducers and gearmotors with trains of gears ICI sizes 50 ... 100 can be applied for multiple drives together with same size gear reducers, all having the same transmission ratio (see also ch. 10);



On request, gear reducers R CI can be supplied also for sizes 125 ... 200. In this case, after defining the size and the initial gear reducer or gearmotor transmission ratio ICI, the gear reducers R CI must be selected with this same size and transmission ratio resulting from the one of the initial gear reducer divided by the transmission ratio of the first helical reduction stage; the performance keep the same of initial ICI gear reducer or gearmotor.



* Gear reducers R ICI ... with design U03 ... without helical first reduction stage

- Designs (direction of rotation), dimensions and mounting positions of gear reducers R CI 125 ... 200 U03A ... U03Esin can be deduced from the ones of the similar gear reducers R ICI (see ch. 10).
- If necessary, consult us.

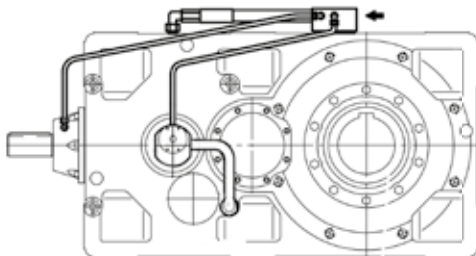
- Gearmotors with:
 - **brake motor** (also single phase) with d.c. **safety and/or parking brake** (sizes 63 ... 132) with overall dimensions almost equal to the ones of standard motor and braking torque $M_f \geq M_N$, maximum cost-effectiveness;
 - **two speed motor** (standard, brake, brake with safety and/or parking brake, with flywheel) with 2.4, 2.6, 2.8, 2.12, 4.6, 4.8, 6.8 poles;
 - motor featuring: d.c. supply; single-phase; explosion-proof; with second shaft end; with special protection, voltage and frequency; provided with devices against overloads and overheating;
 - **motor without fan** with external cooling **by natural convection** (sizes 63 ... 112); design usually realized for textile environment;
 - **motor for roller tables** with cooling fins by natural convection, no plastic parts, electromagnetic sizing and specific insulation system for drive with inverter and nominal torque constant on all frequency range;



- Design with **2^a motorization** with identical speed (**same** or different direction of rotation) or **reduced** (same direction of rotation, free-wheel coupling) (see picture); for sizes 320 ... 360 the 2nd motorization is realized with bevel helical gearmotor connected with bevel wheel shaft end;



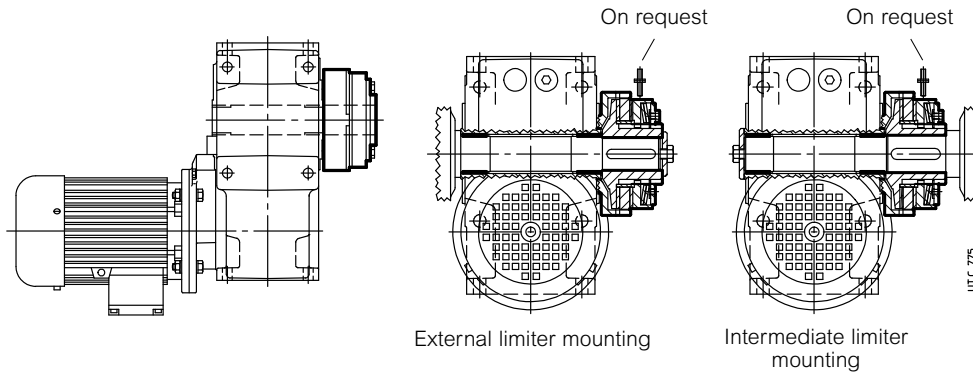
- Housing with B14 flange **on two faces** (train of gears 2I, 3I and 4I sizes 63 ... 125 model 2);
- Input centering (h8) for R CI, R C2I;
- Long model gearmotors sizes **250 ... 360**;
- Gearmotors with interposed compact clutch-brake or fluid coupling/ brake unit;
- Fitting with key, bronze bushing and shrink disc of CI, C2I trains of gears or motor size ≤ 200 ;
- Semi-flexible and hydrodynamic couplings;
- Design for MR 2I with **through** low speed shaft;
- **Direct driven pump for forced lubrication of bearings and/or oil cooling by heat exchanger.**



UFC 200P

- Gear reducers (excluding R I) and gearmotors with output **mechanical torque limiter** on gear reducer sizes **50 ... 125** (excluding sizes 64, 81). Gear reducer design with mechanical friction type torque limiter (friction surfaces without asbestos), compact, with high transmissible torque – up to **1 600 N m** – and top quality standards.
It protects the drive from accidental overloads by excluding the effect of inertia loads transmitted from up-line masses and (the torque limiter being mounted on the output shaft) inertia loads transmitted from down-line masses.

The system also permits **shaft mounting** with the limiter mounted **externally** (easily accessible), or in the **intermediate** position (better safety protection).



On request slide detector. For more details see **specific literature**.

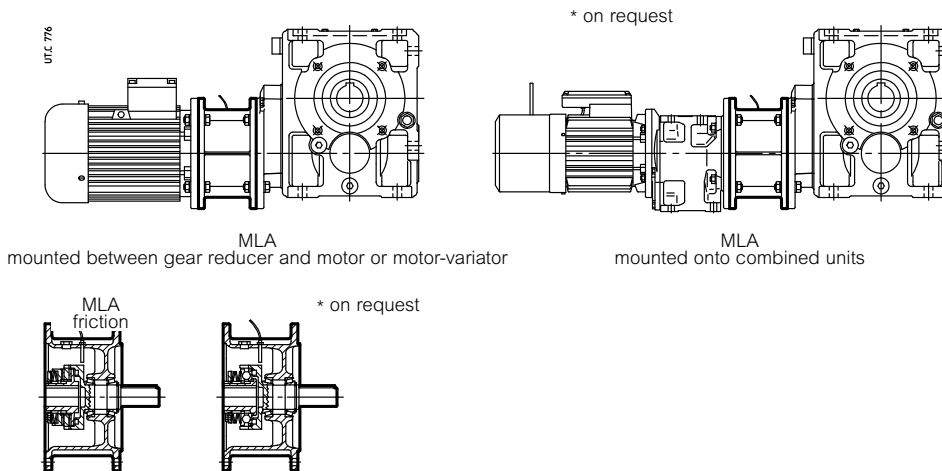
– **MLA unit, mechanical torque limiter on input shaft**, motor sizes **80 ... 200**.

Mechanical torque limiter unit to be interposed between gear reducer and B5 mounting position motor standardized to IEC (or wide belt or planetary motor-variator) or, in combined units, between the initial coaxial gear reducer and the final gear reducer sizes **63 ... 280**.

Axially ultra-compact design: excellent load bearing with life lubricated double row angular contact ball bearings (motor size < 112) or «O» disposed taper roller bearings.

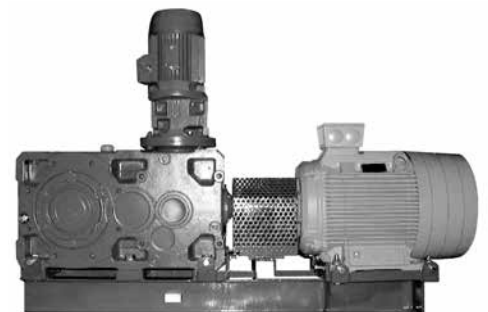
The unit protects the drive from accidental overloads by excluding inertia loads transmitted from up-line masses and down-line masses.

Module **MLA unit is friction type** (friction surfaces without asbestos). When the transmitted torque tends to exceed the setting, the drive «slips» although it remains engaged and transmits torque equal to the limiter setting value; slipping stops as soon as the load returns to normal; in the case of very brief overloads the driven machine will continue normal operation (after decelerating or stopping) without requiring reset procedures.



Special maintenance-free wearproof mechanical seal for MR 21, 31 size ≥ 160 , for one direction of rotation only (patented).

Driving group complete of base - motor, coupling, brake if any, second drive for shaft - mounting arrangements (see ch. 32).



18 – Installation and maintenance

Safety.....	362
Generals.....	362
Shaft end of driven machine	363
Fitting of components to shaft end.....	363
Hollow low speed shaft	364
Lubrication.....	365
Motor assembly and disassembly.....	366
Shaft mounting arrangements	368
Fastening bolt dimensions for gear reducer feet	372
Tightening torque	372

Safety

IMPORTANT: gear reducers and gearmotors supplied by Rossi are **components** to be incorporated into machinery and **should not be commissioned before the machinery in which the components have been incorporated conforms to:**

- Machinery directive 2006/42/EC and subsequent updatings; in particular, possible safety guards for shaft ends not being used for eventually accessible fan cover passages (or other) are the Buyer's responsibility;
- «Electromagnetic compatibility (EMC)» 2004/108/EC and subsequent updatings.

Attention! It is recommended to pay attention to all instructions of present catalog, all standards concerning correct installation and all existing safety laws. Whenever personal injury or property damage may occur, foresee adequate supplementary protection devices against:

- release or breakage of fastening screws;
- rotation or unthreading of the gear reducer from shaft end of driven machine following to accidental breakage of the reaction arrangement;
- accidental breakage of shaft end of driven machine.

If deviations from normal operation occur (temperature increase, unusual noise, etc.) immediately switch off the machine.

Installation

An incorrect installation, an improper use, the removing or disconnection of protection devices, the lack of inspections and maintenance, improper connections may cause severe personal injury or property damage. Therefore the component must be moved, installed, commissioned, handled, controlled, serviced and re-paired **exclusively by responsible qualified personnel specifically instructed** and have the experience necessary to **recognize** and prevent **dangers** connected to present products avoiding all possible emergencies.

Gear reducers and gearmotors of present handbook are normally suitable for installations in **industrial areas**: **additional protection** measures, if necessary, must be adopted and assured by the personnel responsible for the installation.

Attention! Components in non-standard design or with special executions or with constructive variations may differ in the details from the ones described here following and may require additional information.

Attention! For the installation, use and maintenance of the **electric motor** or of the eventual motor variator and/or electric supply device (frequency converter, soft-start etc.), and/or optional electric devices (e.g.: independent cooling unit, etc.), consult the attached specific documentation. If necessary, require it.

Maintenance

When operating on gear reducer or on components connected to it the **machine** must be **at rest**: disconnect motor (including auxiliary equipments) from power supply, gear reducer from load, be sure that safety systems are on against any accidental starting and, if necessary, pre-arrange mechanical locking devices (to be removed before commissioning).

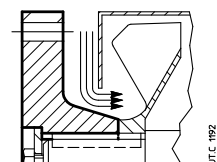
Attention! During the running the gear reducers could have **hot surfaces**; always wait that the gear reducer or the gearmotor to cool before carrying out any operations.

Please download further technical documentation from our website www.rossi.com.

Generals

Be sure that the structure on which gear reducer or gearmotor is fitted is plane, levelled and sufficiently dimensioned in order to assure fitting stability and vibration absence, keeping in mind all transmitted forces due to the masses, to the torque, to the radial and axial loads.

Position the gear reducer or gearmotor so as to allow a free passage of air for cooling both gear reducer and motor (especially at gear reducer and motor fan sides).



If there is fan on the gear reducer verify that there is sufficient space allowing an adequate circulation of cooling air also after fitting coupling protection. If a coupling protection is fitted, smooth the coupling hub, if necessary.

Avoid: any obstruction to the air-flow; heat sources near the gear reducer that might affect the temperature of cooling-air and of gear reducer for radiation; insufficient air recycle or any other factor hindering the steady dissipation of heat.

Mount the gear reducer so as not to receive vibrations.

When external loads are present use pins or locking blocks, if necessary.

When fitting gear reducer and machine and/or gear reducer and eventual flange **B5** it is recommended to use **locking adhesives** such as LOCTITE on the fastening screws (also on flange mating surfaces).

For outdoor installation or in a hostile environment protect the gear reducer or gearmotor with anticorrosion paint. Added protection may be afforded by water-repellent grease (especially around the rotary seating of seal rings and the accessible zones of shaft end).

Gear reducers and gearmotors should be protected wherever possible, and by whatever appropriate means, from solar radiation and extremes of weather; weather protection **becomes essential** when high or low speed shafts are vertically disposed, or where the motor is installed vertical with fan uppermost.

For ambient temperatures greater than 40 °C or less than 0 °C, consult us.

Before wiring-up the gearmotor, make sure that motor voltage corresponds to input voltage. If direction of rotation is not as desired, invert two phases at the terminals.

Star-delta starting should be adopted for starting on no load (or with a very small load) and/or when the necessity is for smooth starts, low starting current and limited stresses.

If overloads are imposed for long periods or if shocks or danger of jamming are envisaged, then motor-protection, electronic torque limiters, fluid couplings, safety couplings, control units or other similar devices should be fitted.

Usually protect the motor with a thermal cut-out; however, where duty cycles involve a high number of on-load starts, it is necessary to utilise thermal probes for motor protection (fitted on the wiring); thermal cut-out is unsuitable since its threshold must be set higher than the motor nominal current of rating.

Connect thermal probes, if any, to auxiliary safety circuits.

Use varistors to limit voltage peaks due to contactors.

Attention! Bearing life, good shaft and coupling running depend on alignment precision between the shafts. Carefully align the gear reducer with the motor and the driven machine (with the aid of shims if need be), interposing flexible couplings whenever possible.

Whenever a leakage of lubricant could cause heavy damages, increase the frequency of inspections and/or envisage appropriate control devices (e.g.: remote oil level gauge, lubricant for food industry, etc.).

In polluting surroundings, take suitable precautions against lubricant contamination through seal rings or other.

Gear reducer or gearmotor should not be put into service before it has been incorporated on a machine which is conform to 2006/42/EC directive. For brake or special motors, consult us for specific information.

Shaft end of driven machine

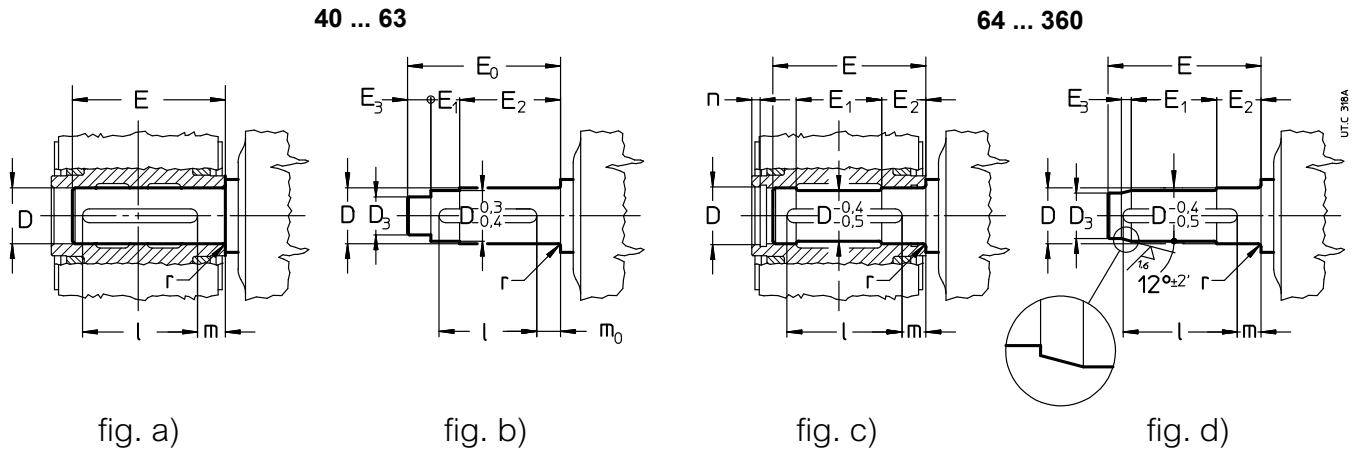
Dimensions of shaft end on which the gear reducer hollow shaft is to be keyed are those recommended in the table and shown in the figures below.

Sizes 40, 63: fitting with key (fig. a) or fitting with key and locking rings (fig. b).

Sizes 64 ... 360: fitting with key (fig. c) or fitting with key and locking bushing (fig. d); see also ch. 19 and 20; see also ch. 17.

In the case of cylindrical shaft end with only diameter D (fig. a, c), for the seat D on input side, we recommend tolerance h6, j6 (size < 225) or g6, h6 (size ≥ 250) to facilitate mounting.

Important: the shoulder diameter of the driven machine shaft end abutting with the gear reducer must be at least $(1,18 \div 1,25) D$.



Size	D Ø	D ₃ Ø H7/h6	E 2)	E ₀	E ₁	E ₂ 2)	E ₃	l	m	m ₀	n	r
	H7/j6, k6											
40	19	15	76,5	81	14	53	14	50	21	14	–	1,5
50	24	19	90,5	95	21	60	14	63	21,5	15	–	1,5
63	30 ¹⁾	25	107,5	112,5	19,5	72	21	63	31,5	25	–	1,5
64	32	27	110	–	57	34	10	70	28	–	6	1,5
80	38 ¹⁾	32	134	–	71	39,5	12	90	30	–	6	1,5
81	40	34	134	–	71	39,5	12	90	30	–	6	1,5
100	48	41	162	–	87	46,5	14	110	35	–	7	2
125	60	52	201	–	110	55	16	140	40	–	7	2
140	70 ¹⁾	62	228	–	124	63	16	180	35	–	8	2
160	80	70	250	–	136	68	21	200	36	–	8	3
180	90	80	274	–	150	75	21	200	50	–	9	3
200	100	88	308	–	174	80	25	250	42	–	10	3
225	110	98	331	–	180	90	25	250	55	–	10	3,5
	H7/h6, j6											
250	125	110	380	–	212	100	32	320	40	–	11	4
280	140	125	410	–	220	112	32	320	60	–	12	4
320, 321	160 ¹⁾	140	471	–	258	125	43	400	45	–	13	5
360	180	160	506	–	272	137	43	400	72	–	14	5

1) Keyway depth not to standard (see ch. 6 «Hollow low speed shaft» table, dimension t).

2) In presence of «Labyrinth seal and low speed shaft grease» (ch. 17 (26)), it is necessary to increase the E dimension (E₂) by A quantity stated in the table on ch. 17 (26).

Fitting of components to shaft end

It is recommended that the holes of parts keyed onto shaft ends should be machined to H7 tolerance; for high speed shaft ends having $D \geq 55$ mm, tolerance G7 is permissible provided that the load is uniform and light; for low speed shaft end, tolerance must be K7 if load is not uniform and light. Other data according to table «High and low speed shaft end» (ch. 6). Before mounting, clean carefully and lubricate mating surfaces against seizure and fretting corrosion.

Installing and removal operations should be carried out with **pullers** and **jacking screws** using the tapped hole at the shaft butt-end; for H7/m6 and K7/j6 fits it is advisable that the part to be keyed is preheated to a temperature of $80 \div 100$ °C.

Size	A	D Ø	D ₁ Ø ₁	D ₃ Ø ₃	E ₃ z ₃	F	F ₁	h	h ₁	h ₂	L	n	Axial fastening bolt	
													UNI 5737-88	Ms ¹⁾ N m
40	–	19	22,5	15 ⁴⁾	–	M8	–	14,8	2,8	4	12,6 ⁴⁾	1,1	M8×25 ²⁾	29
50	–	24	27,5	19 ⁴⁾	–	M8	–	14,8	2,8	4	12,6 ⁴⁾	1,2	M8×25 ²⁾	35
63	–	30	34	25 ⁴⁾	–	M10	–	18,5	3,7	5	18,9 ⁴⁾	1,4	M10×30 ²⁾	43
64	18	32	23	27	9	M10	M6 ⁵⁾	10	–	–	19	6	M10×35	43
80	18	38	27	32	11	M10	M6 ⁵⁾	12	–	–	23	6	M10×35 ³⁾	51
81	18	40	28	34	11	M10	M6	12	–	–	23	6	M10×35 ³⁾	53
100	23	48	35	41	13	M12	M8	14	–	–	28	7	M12×45 ³⁾	92
125	30	60	45	52	15	M14	M12	16	–	–	35	7	M14×45 ³⁾	170
140	36	70	54	62	15	M16	M12	19	–	–	40	8	M16×50	210
160	45	80	63	70	20	M20	M12	19	–	–	45	8	M20×60	340
180	49	90	72	80	20	M20	M16	23	–	–	49	9	M20×60 ³⁾	430
200	56	100	81	88	24	M24	M16	23	–	–	52	10	M24×70	660
225	64	110	89	98	24	M24	M16	24	–	–	60	10	M24×70 ³⁾	830
250	72	125	102,5	110	30	M30	M20	28	–	–	67	11	M30×90	1 350
280	87	140	117	125	30	M30	M20	30	–	–	76	12	M30×90 ³⁾	1 660
320, 321	97	160	133,5	140	41	M36	M24	33	–	–	86	13	M36×110	2 570
360	117	180	153	160	41	M36	M24	36	–	–	95	14	M36×110 ³⁾	3 150

1) Tightening torque for locking rings or bushing.

2) UNI 5931-84. For MR 3l: M 8 × 35 and M 10 × 40 UNI 5737-88.

3) For locking bushing: M 10 × 35, M 12 × 45, M 14 × 45, class 10.9; M 20 × 65, M 24 × 80 and M 30 × 100 UNI 5737-88 class 10.9; M 36 × 120 UNI 5931-84 class 10.9.

4) Locking bushing is not possible for MR 3l.

5) It cannot be used for the disassembly of MR 3l.

Lubrication

Gear pairs are oil-bath lubricated with the exception of the first reduction stage in helical gear reducers train of gears **3l** and the first two reduction stages of gearmotors **4l** sizes ≤ 125 in V5 mounting position, which are lubricated «for life» with grease (SHELL Gadus S5). Bearings are either oil-bathed or splashed with the exception of the top bearings which are lubricated with a pump (see ch. 17(19)) or lubricated «for life» with grease (with or without NILOS ring according to speed).

Sizes 40 ... 81

The gear reducers are supplied **filled with synthetic oil** (KLÜBER Klübersynth GH 6-220, MOBIL Glygoyle 220, SHELL Omala S4 WE 220), providing lubrication – assuming pollution-free surroundings – «for life». Ambient temperature 0 ÷ 40 °C with peaks up to -20 °C and +50 °C.

Important: verify mounting position keeping in mind that if gear reducer is installed in a mounting position differing from the one stated on name plate, it could need the addition – through the proper hole – of the difference between the two lubricant quantities as shown in ch. 8, 10, 12 and 14.

Sizes 100 ... 360

The gear reducers are supplied **without oil**; before putting into service, fill to the specified level¹⁾, with **mineral oil** with **EP** (extreme pressure) **additives**, having the ISO viscosity grade given in the table. Under normal conditions the first speed range is for train of gears **1l**, the second is for trains of gears **2l** and **Cl**, the third is for trains of gears **3l**, **4l**, **C2l**, **ICl** and **C3l**, while the fourth is for **combined units**.

When it is required to increase oil change interval («long life»), the ambient temperature range and/or reduce oil temperature, use PAO polyalphaolefine based **synthetic oil** with **EP** (extreme pressure) **additives**, having ISO viscosity grade as indicated in the table.

1) Lubricant quantities stated on ch. 8, 10, 12, 14 are approximate for provisioning. The exact oil quantity the gear reducer is to be filled with is definitely given by the level.

ISO viscosity grade

Mean kinematic viscosity [cSt] at 40 °C.

Speed n_2 min ⁻¹	Ambient temperature ¹⁾ [°C]		
	mineral oil		synthetic oil
	0 ÷ 20	10 ÷ 40	0 ÷ 40
> 224	150	150	150
224 ÷ 22,4	150	220	220
22,4 ÷ 5,6	220	320	320
< 5,6	320	460	460

1) Peaks of 10 °C (20 °C for synthetic oil) below and 10 °C above the ambient temperature range are acceptable.

Oil types

Manufacturer	PAO synthetic oil ISO VG 150 ... 460	mineral oil ISO VG 150 ... 460
AGIP	Blasia SX	Blasia
ARAL	Degol PAS	Degol BG
BP	Energyn EPX	Energol GR XP
CASTROL	Alphasyn EP	Alpha SP
FUCHS	Renolin Unisys CLP	Renolin CLP
KLÜBER	Klübersynth GEM4	Klüberoil GEM1
MOBIL	Mobil SHC Gear	Mobilgear 600 XP
SHELL	Omala S4 GX / S4 GXV	Omala S2 G / S2 GV
CHEVRON	Pinnacle	Meropa
TOTAL	Carter SH	Carter EP

For continuous duty, the use of synthetic oil is recommended in the following cases:

- R ICI, MR C3l 100, 125 and MR ICI 100 ... 200 mounting position B6;
- R I 100 with $n_2 \geq 375$ min⁻¹;
- R CI 100 with $n_2 \geq 150$ min⁻¹;
- R 2l and MR 2l 125 with $i_N \leq 12,5$, mounting position B7, $n_1 \geq 950$ min⁻¹;
- MR ICI 200, motor size 225;

– gear reducers and gearmotors with size and mounting position marked with Ψ (see ch. 8, 10, 12, 14) and bevel helical gear reducers with double extension high speed shaft.

An overall guide to oil-change interval²⁾ is given in the table, and assumes pollution-free surroundings.

Oil temperature [°C]	Oil change interval [h]	
	mineral oil	synthetic oil
≤ 65	8 000	25 000
65 ÷ 80	4 000	18 000
80 ÷ 95	2 000	12 500
95 ÷ 110 ¹⁾	–	9 000

1) Values admissible for not continuous duty, only.

2) Values not valid for gear reducers according to ATEX directive; for values see ATEX instructions.

When heavy overloads are present, halve the values.

Apart from the running hours:

- replace the mineral oil at least each 3 years;
- replace or regenerate the synthetic oil at least each 5 - 8 years, according to gear reducer size, running and environmental conditions.

Never mix different makes of synthetic oil; if oil-change involves switching to a type different from that used previously, then give the gear reducer a thorough clean-out.

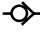
Combined gearmotor units

Lubrication remains independent, thus data relative to each single gear reducer hold good.

Seal rings

Duration depends on several factors such as dragging speed, temperature, ambient conditions, etc.; as a rough guide it can vary from 3150 to 25000 h.

Filler plug

For gear reducer sizes 100 ... 360, before unscrewing the filler plug with valve (symbol ) wait until the unit has cooled and then open with caution.

Motor assembly and disassembly

Gearmotors with motor keyed onto hollow high speed shaft of gear reducer

Helical gearmotors MR 2I, MR 3I 140 ... 360

Bevel helical gearmotors MR CI, MR C2I

- be sure that the mating surfaces are machined under accuracy rating (IEC 60072-1);
- clean surfaces to be fitted thoroughly;
- check that the fit-tolerance (push-fit) between hole and shaft end is G7/j6 for $D \leq 28$ mm, F7/k6 for $D \geq 38$ mm;
- lubricate surfaces to be fitted against fretting corrosion;
- in the event of a lowered keyway, replace the motor key with the one supplied with the gear reducer; if necessary, check the key so that between its top and the bottom of the hole keyway there is a backlash of 0,1 - 0,2 mm; in case of output shaft keyway, lock the key by pins;

In presence of **hub clamp** (helical gearmotors 2I, 3I with motor sizes ≥ 200) proceed as follows, for the mounting:

- Turn the hub clamp until the fastening screw head is aligned with one of the access holes on gear reducers flange, after having removed the relevant closure plugs;
- do not modify the axial position of the hub clamp supplied from workshop, as this position is the excellent one in order to achieve the maximum tightening effect;
- push the motor up to shoulder;
- tighten the motor fastening screws or nuts to gear reducer motor flange;
- complete the tightening with dynamometric wrench up to the tightening torque stated in the table; during this operation pay attention not to modify the axial position of hub clamp;
- screw again the closure plugs of access holes to gear reducer flange;

For the disassembly, proceed as follows:

- acting on motor shaft rear end, whenever possible, or disconnecting the gear reducer from machine and acting on gear reducer low speed shaft (with brake motor the brake must be released), align the wrench hole with the tightening screw of hub clamp;
- loosen the tightening screw and consequently the hub clamp (taking care not to modify the axial position of hub clamp);
- unscrew the motor fastening screws of nuts to gear reducer flange;

Gear reducer size		Screw UNI 5931	Ms N m
2I	3I		
160 ... 225	200 ... 280	M12× 45 cl. 12.9	143
250... 360	320 ... 360	M12× 45 cl. 12.9 $\varnothing d \leq 75$ M14× 50 cl. 8.8 $\varnothing d = 80$	143 135

- disassemble the motor.

Gearmotors with helical pinion keyed directly on motor shaft end

Helical gearmotors MR 3I 40 ... 125, MR 4I

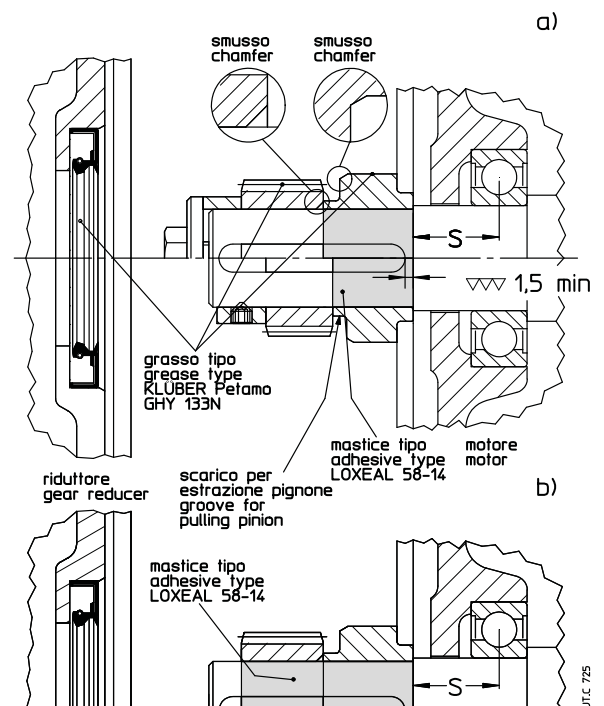
Bevel helical gearmotors MR ICI, MR C3I

Coaxial gearmotors, coupled with helical and bevel helical gear reducers (combined units).

- be sure that the mating surfaces are machined under accuracy rating (IEC 60072-1);
- clean surfaces to be fitted thoroughly;
- check that the fit-tolerance (push-fit) between hole and shaft end is K6/j6 for $D \leq 28$ mm, J6/k6 for $D \geq 38$ mm;
- in the event of a lowered keyway, replace the motor keyway with the one supplied with the gear reducer; adjust the keyway length to the motor shaft, if need be; check that between the top and the bottom of the hole keyway there is a backlash of 0,1 - 0,2 mm; in the event of output shaft keyway, lock the key by pins.
- make sure that the motors have bearing location and overhang (distance S) as shown in the table;

Motor size	Min dynamic load capacity		Max dimension 'S'
	Front	N Rear	
63	4 500	3 350	16
71	6 300	4 750	18
80	9 000	6 700	20
90	13 200	10 000	22,5
100	20 000	15 000	25
112	25 000	19 000	28
132	35 500	26 500	33,5
160	47 500	33 500	37,5
180	63 000	45 000	40
200	80 000	56 000	45
225	100 000	71 000	47,5

- assemble on motor shaft, as follows:
- the **spacer** pre-heated at **65 °C** sealing the motor shaft part with **locking adhesive type LOXEAL 58-14** and ensuring that between keyway and motor shaft shoulder there is a ground cylindrical section of at least 1,5 mm; pay attention **not to damage the external surface** of spacer;
- the **key** in the keyway, taking care that a brief segment of at least 0,9 times the pinion width;
- the pinion pre-heated at **80 ÷ 100 °C**;
- the **axial fastening system** where foreseen (head self-locking screw with base, spacer, or hub clamp with one or more dowels, fig. a); for the cases foreseen **without axial fastening** (fig. b), seal with **locking adhesive type LOXEAL 58-14** also the motor shaft section below the **pinion**;
- in the event of axial fastening system with hub clamp and dowels, be sure that these ones do not overhang from spacer external surface: screw the dowel and matrix the motor shaft with a tip;
- grease the pinion teeth, the sealing ring rotary seat and the seal ring (with KLÜBER Petamo GHY 133N), and assemble carefully, **paying attention not to damage the seal ring lip due to accidental shock with the pinion toothing.**



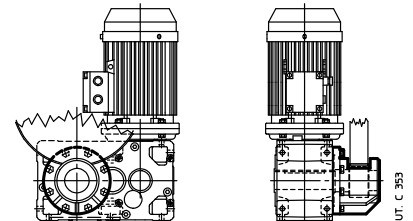
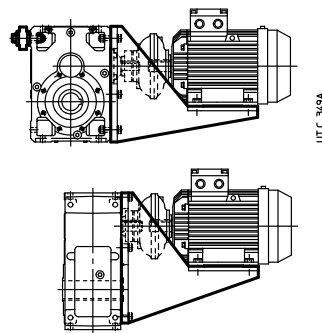
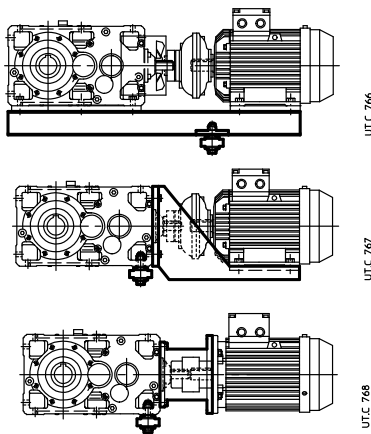
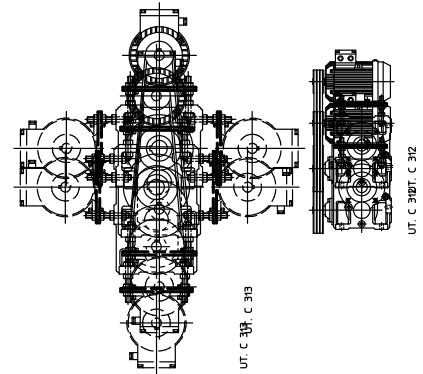
Shaft mounting arrangements

The strength and shape of the housing offer advantageous possibilities for shaft mounting (for several reaction arrangements which can be supplied, see ch. 17 «Shaft mounting arrangements»), even - for instance - gearmotor with belt drive, with hydraulic coupling, low speed shaft support, etc.

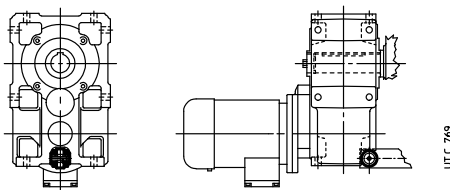
A few shaft mounting arrangements are shown here with the relative details as to selection, and installation.

IMPORTANT: When shaft mounted, the gearmotor must be supported both axially and radially (even for mounting positions B3 ... B8) by the shaft end of driven machine, as well as anchored against rotation only, by means of a reaction having **freedom of axial movement** and sufficient clearance in its couplings to permit minor oscillations - always in evidence - without provoking dangerous overloads on the gearmotor. Lubricate with proper products the hinges and the parts subject to sliding; when tightening the screws it is recommended to apply locking adhesives type LOCTITE 601.

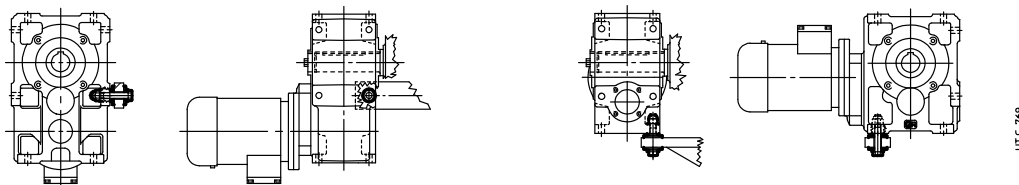
In case of shaft-mounting arrangement with elastic constraint, for the sizes 140 ... 360 C2I, 2I, 3I in B3 or B8 mounting position, ensure that the housing oscillation, during the running, not overtake - towards the top - the horizontal position.



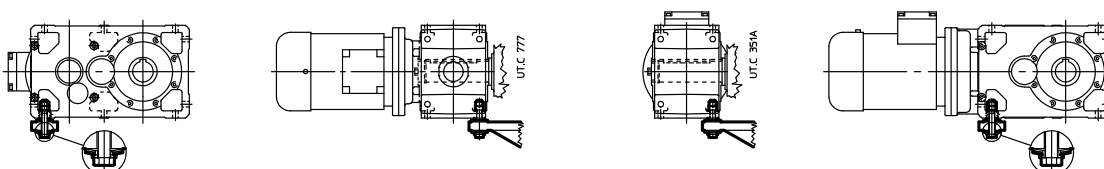
Semi-flexible and economic reaction arrangement for 2I, 3I, 4I sizes ≤ 125 (ch. 17) using **reaction recess and disc springs**.



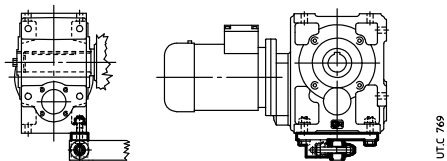
Semi-flexible and economic reaction arrangement for sizes ≤ 125 (ch. 17), with **bolt using disc springs**, suitable for low torque values.



Semi-flexible and economic **reaction arrangement** for sizes ≥ 140 (≥ 125 for CI; ch. 17), **using disc springs**. Safety devices may be installed to prevent accidental overloads.

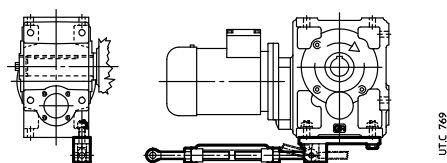


Semi-flexible reaction arrangement (ch. 17), **using disc springs and bracket**.

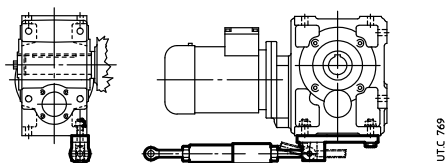


Rigid torque arm reaction arrangement for variable distance anchorage (ch. 17).

If the direction of rotation is opposite to that given in the fig. rotate the torque arm by 180°.



Reaction arrangement see above (ch. 17), but **flexible**; safety devices may be installed to prevent accidental overloads. The flexible torque arm may be turned through 180° regardless of direction of rotation.

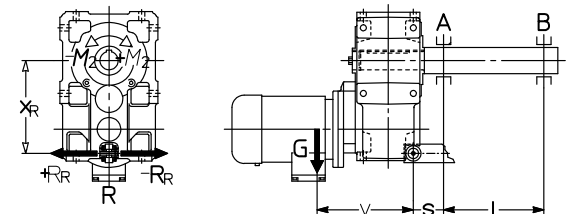
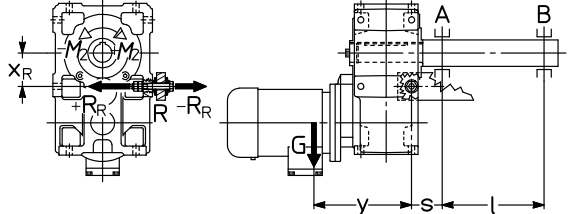
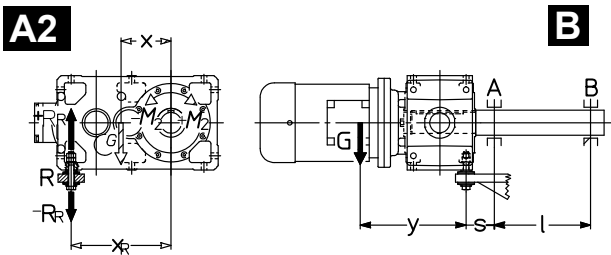
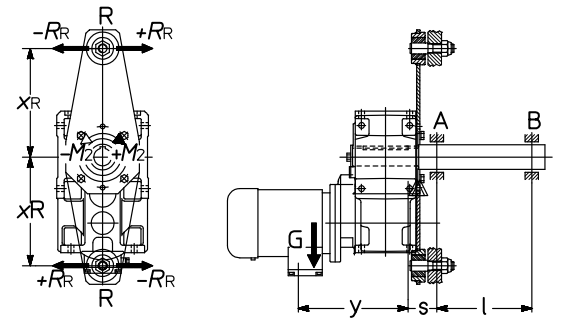
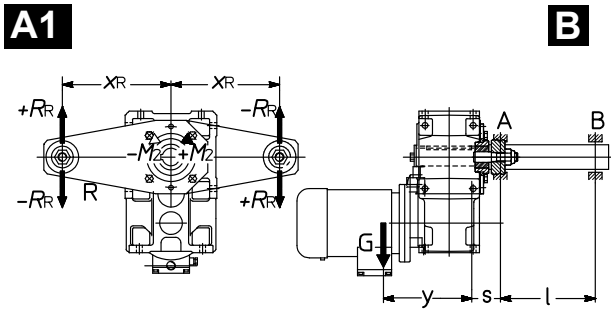


Flexible reaction arrangement using **rubber buffers** (drawings are approximate, but the buffers will be positioned abutting with gear reducer housing). It is possible to install safety devices against accidental overloads.

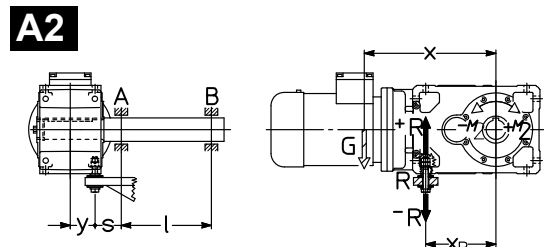
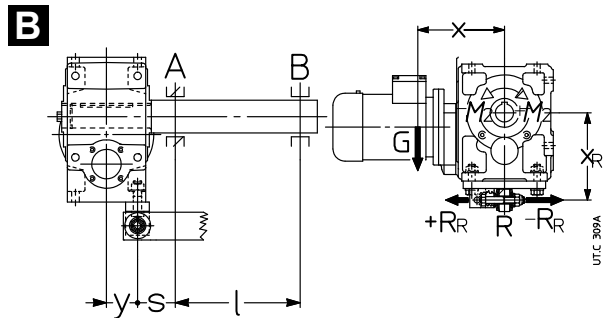
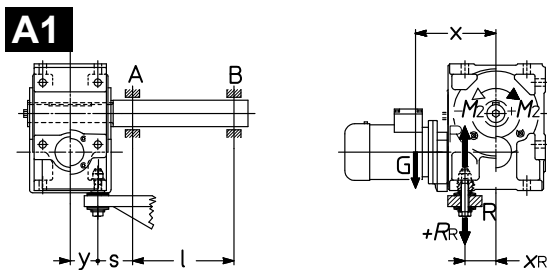
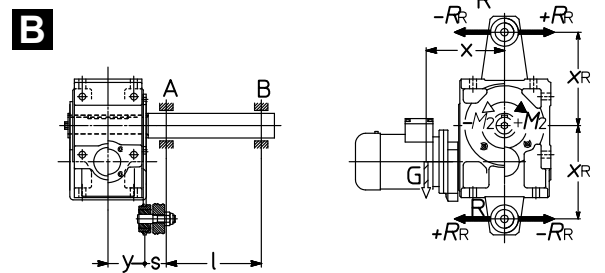
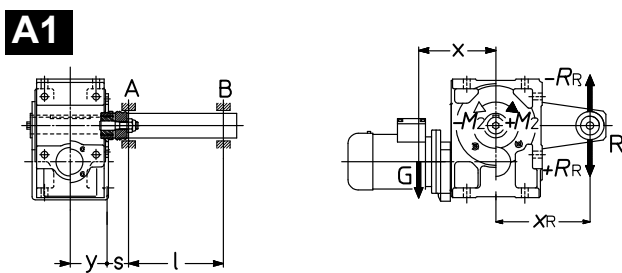


For the majority of normal cases, where weight force G is parallel or orthogonal to reaction R_R as illustrated in the drawings, reactions are calculated thus (verify the worst condition) valid for long model too:

Helical gear units



Bevel helical gear units



- G [N]: weight force almost equal numerically to gearmotor mass (ch. 12 and 14) · 10;
- M_2 [N m]: output torque expressed by + or - according to the direction of rotation in the drawing;
- x [m]: for helical gearmotors dimension $x = 0$ (scheme A1 and B) or $x = 0,67 \cdot a$ (scheme A2) (ch. 12); for bevel helical gearmotors dimension $x = G + 0,2 \cdot Y$ (schemes A1 and B) or $x = a + G + 0,2 \cdot Y$ (scheme A2) (ch. 14);
- y [m]: for helical gearmotors dimension $y = 0,5 \cdot B + G + 0,2 \cdot Y$ (ch. 12); for bevel helical gearmotors dimension $y = 0,5 \cdot B$ (ch. 14);
- x_R [m]: see ch. 12, 14, 17;
- l, s [m]: dimension s must be as short as possible.

1) reaction R_R produced by support R :

$$R_R = (1 / x_R) \cdot [G \cdot x + (\pm M_2)]$$

2) bending moment M_{fA} through the cross-section of bearing A:

$$\mathbf{A1 A2} \quad M_{fA} = [G \cdot (y + s)] - [(\pm R_R) \cdot s] \quad [\text{N m}]$$

$$\mathbf{B} \quad M_{fA} = \sqrt{[G \cdot (y + s)]^2 + [R_R \cdot s]^2} \quad [\text{N m}]$$

3) radial reaction R_A produced by bearing A:

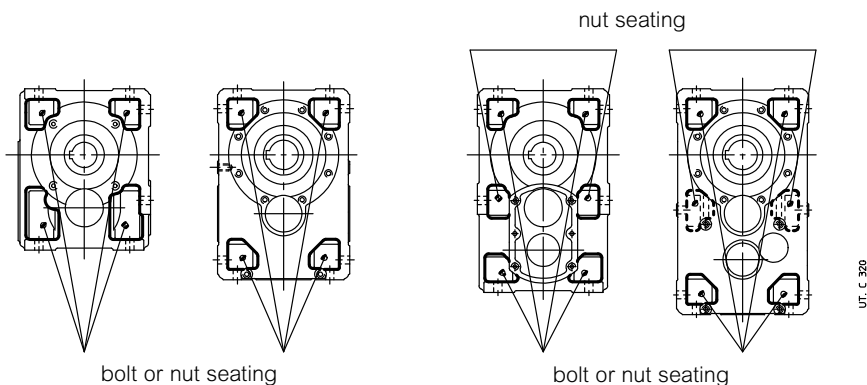
$$\mathbf{A1 A2} \quad R_A = \frac{1}{l} \{ [G \cdot (y + s + l)] - [(\pm R_R) \cdot (s + l)] \} \quad [\text{N}]$$

$$\mathbf{B} \quad R_A = \frac{1}{l} \sqrt{[G \cdot (y + s + l)]^2 + [R_R \cdot (s + l)]^2} \quad [\text{N}]$$

4) radial reaction R_B produced by bearing B:

$$R_B = \frac{M_{fA}}{l}$$

Fastening bolt dimensions for gear reducer feet



Gear reducer size	Bolt UNI 5737-88 (l max)
40	M 6 × 22
50	M 8 × 30
63, 64	M 10 × 35
80, 81	M 12 × 40
100	M 14 × 50
125, 140	M 16 × 55
160, 180	M 20 × 70
200, 225	M 24 × 90
250, 280	M 30 × 110
320 ... 360	M 36 × 130

Tightening torque

Unless otherwise stated, usually it is sufficient to use bolts in class 8.8.

- Before tightening the bolt be sure that the eventual centering of flanges are inserted properly
- The bolts are to be diagonally tightened with the maximum tightening torque.

Before tightening, carefully degrease the bolts; for strong vibrations, heavy duties, frequent motion reversals, apply a thread-braking seal Loxeal 23-18 or equivalent.

Table of tightening torque for axial fastening bolts (locking rings or bushing) and shrink disc¹⁾

Gear reducer size	40	50	63	64	80	81	100	125	140	160	180	200	225	250	280	320, 321	360
Axial fastening bolts UNI 5737-88 cl. 8.8	M8 ²⁾	M8 ²⁾	M10 ²⁾	M10	M10 ³⁾	M10 ³⁾	M12 ³⁾	M14 ³⁾	M16	M20	M20 ³⁾	M24	M24 ³⁾	M30	M30 ³⁾	M36	M36 ⁴⁾
<i>Ms</i> [N m] for rings or bushing	29	35	43	43	51	53	92	170	210	340	430	660	830	1350	1660	2570	3150
Shrink disc bolts UNI 5737-88 class 10.9	M5	M5	M6	M6	M6	M6	M8	M8	M8	M10	M10	M12	M12	M16	M16	M16	M16
<i>Ms</i> [N m] for shrink disc	4	4	12	12	12	12	30	30	30	60	60	100	100	250	250	250	250

1) The bolts of shrink disc must be gradually and uniformly tightened, with continuous sequence (not diagonally!) and in several phases up to the reaching of maximum tightening torque stated on table.

2) UNI 5931-84 cl. 8.8 (excluding MR 3I).

3) UNI 5737-88 cl. 10.9.

4) UNI 5931-84 cl. 10.9.

Table of tightening torque for fastening bolts (feet, flange)

Screw	<i>Ms</i> [N m] UNI 5737-88, UNI 5931-84		
	cl. 8.8	cl. 10.9	cl. 12.9
M4	2,9	4	–
M5	6	8,5	10
M6	11	15	20
M8	25	35	40
M10	50	70	85
M12	85	120	145
M14	135	190	230
M16	205	290	350
M18	280	400	480
M20	400	560	680
M22	550	770	930
M24	710	1000	1200
M27	1000	1400	1700
M30	1380	1950	2350
M33	2000	2800	3400
M36	2500	3550	4200

Table of tightening torque for plugs

Gear reducer size	Thread dimension	<i>Ms</i> [N m]
40, 50	G 1/4"	7
63 ... 81	M16 × 1,5	14
100 ... 140	G 1/2"	14
160 ... 280	G 3/4"	14
320 ... 360	G 1"	25

G series 400 - 401

Section contents

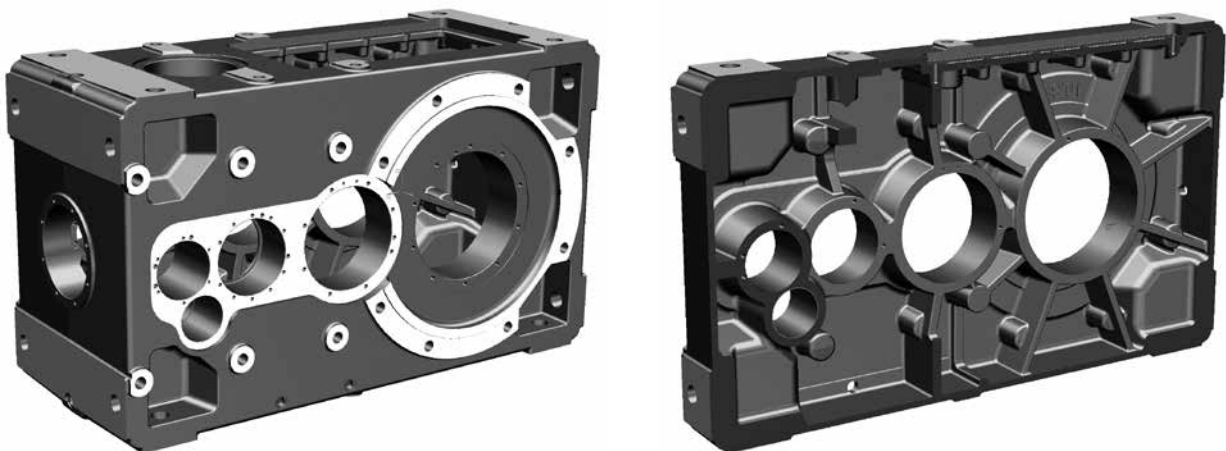
19 – General specifications sizes 400 - 401	373
20 – Designation	377
21 – Service factor f_s	381
22 – Thermal power P_t [kW]	385
23 – Selection	389
24 – Structural and operational details	393
25 – Helical gear reducer selection tables	399
26 – Dimensions, designs, mounting positions of helical gear reducers	401
27 – Bevel helical gear reducer selection tables	409
28 – Dimensions, designs, mounting positions of bevel helical gear reducers	411
29 – Radial loads	417
30 – Accessories and non-standard designs	425
31 – Installation and maintenance	449

- Universal mounting: suitable for horizontal or vertical mounting**
- Rigid and precise single-piece nodular cast iron housing; high oil capacity**
- Hollow low speed shaft as standard**
- Pre-arranged for motor bell housing**
- Pre-arranged for backstop device**
- Double extension high speed shaft**
- Single or double extension solid low speed shaft, hollow shaft with shrink disc,**
- Two sizes: standard (400) and strengthened (401)**

Main structural features

Main specifications are:

- **universal mounting** with integral **feet** to housing on 4 faces and with **B14 flange** on 2 faces; design and strength of the housing permit interesting shaft mounting solutions, foot mounted motor (s. ch. 31) and mounting for auxiliary devices;
- gear reducer overall sized so as to permit the transmission of **high nominal and maximum torques**, and to withstand **high loads on the high and low speed shaft ends**;
- standard **hollow low speed shaft** in steel with keyway and retaining ring grooves for extraction; standard low speed shaft (overhanging right or left) or double extension low speed shaft (s. ch. 30);
- cylindrical high speed shaft end with key;
- **possibility of second high speed shaft extension (excluding C3I)**;
- improved and upgraded modular construction both for component parts and assembled product;
- standardized dimensions and compliance with standards;
- **nodular cast iron single-piece** housing (400-15 UNI ISO 1083); stiffening ribs and high oil capacity;
- bearings: swinging roller bearings on low and intermediate speed shafts, **coupled** taper roller bearings plus one swinging roller bearing on high speed shafts with train of gears 2I, C2I, C3I and intermediate train of gears C2I, taper roller bearing plus one cylindrical roller bearing on high speed shaft with train of gears 3I;
- oil bath lubrication; synthetic or mineral oil (ch. 31) including filler plug with **valve**, drain and level plug; sealed;
- additional bearings lubrication through proper pipelines or pump;
- natural or forced cooling (by fan, coil or independent cooling unit with heat exchanger, see ch. 30);
- paint: external coating in water-soluble dual-compound polyurethan enamel resistant to atmospheric and aggressive agents (corrosivity class C3 ISO 12944-2); suitable for further coats only with dual-compound products after degreasing and sanding; color blue RAL 5010 DIN 1843, other colors and/or painting cycles on request, see ch. 30); internal protection in synthetic paint appropriate for resistance to mineral oils or to polyalphaolefines synthetic oils;
- non-standard designs: backstop device (always prearranged), shaft mounting arrangements, one or double extension solid low speed shaft, **hollow** low speed shaft with shrink disc, special paints, etc. (ch. 30).



Train of gears

- 2, 3, 4 cylindrical gear pairs (helical gear units);
- 1 bevel gear pair plus 2, 3 helical gear pairs (bevel helical type);
- 1 double size (standard and strengthened)
- nominal transmission ratios to R 20 series for trains of gears 2I ($i_N = 10 \dots 25$); 3I ($i_N = 25 \dots 125$, excluding $i_N = 112$), and C2I ($i_N = 20 \dots 125$, excluding $i_N = 112$); to R 10 series for 4I ($i_N = 125 \dots 315$) and C3I ($i_N = 125 \dots 315$);
- casehardened and hardened gear pairs in 16 CrNi4 or 20 MnCr5 (depending on size) and 18 NiCrMo5 steel, according to UNI 7846-78;
- helical toothed cylindrical gear pairs with **ground** profile;
- GLEASON spiral bevel gear pairs with **ground** profile;
- gear load capacity calculated for tooth breakage and pitting.

Specific standards

- nominal transmission ratios and principal dimensions according to UNI 2016 (DIN 323-74, NF X 01.001, BS 2045-65, ISO 3-73);
- tothing profile to UNI 6587-69 (DIN 867-86, NF E 23.011, BS 436.2-70, ISO 53-74);
- shaft heights to UNI 2946-68 (DIN 747-76, NF E 01.051, BS 5186-75, ISO 496-73);
- medium series fixing holes to UNI 1728-83 (DIN 69-71, NF E 27.040, BS 4186-67, ISO/R 273);
- cylindrical shaft ends to UNI ISO 775-88 (DIN 748, NF E 22.051, BS 4506-70, ISO/R 775) with tapped butt-end hole to UNI 9321 (DIN 332 Bl. 2-70, NF E 22.056) excluding correspondence d-D;
- parallel keys UNI 6604-69 (DIN 6885 Bl. 1-68, NF E 27.656 and 22.175, BS 4235.1-72, ISO/R 773-69);
- mounting positions derived from CEI 2-14 (DIN EN 60034-7, IEC 34.7);
- load capacity verified according to UNI 8862, DIN 3990, AFNOR E 23-015, ISO 6336; thermal capacity verified.

Size

I

2I

3I

4I

CI

ICI

C2I

C3I

$$M_{N2} - F_{r2}$$

140
5,15 kN m - 28 kN



160
7,75 N m - 35,5 kN



180
10,9 kN m - 45 kN



200
15,5 kN m - 56 kN



225
21,8 kN m - 71 kN



250
31,5 kN m - 90 kN



280
43,7 kN m - 112 kN



321
54,5 kN m - 140 kN



321
69 kN m - 140 kN



360
87,5 kN m - 180 kN



400
90 kN m - 200 kN

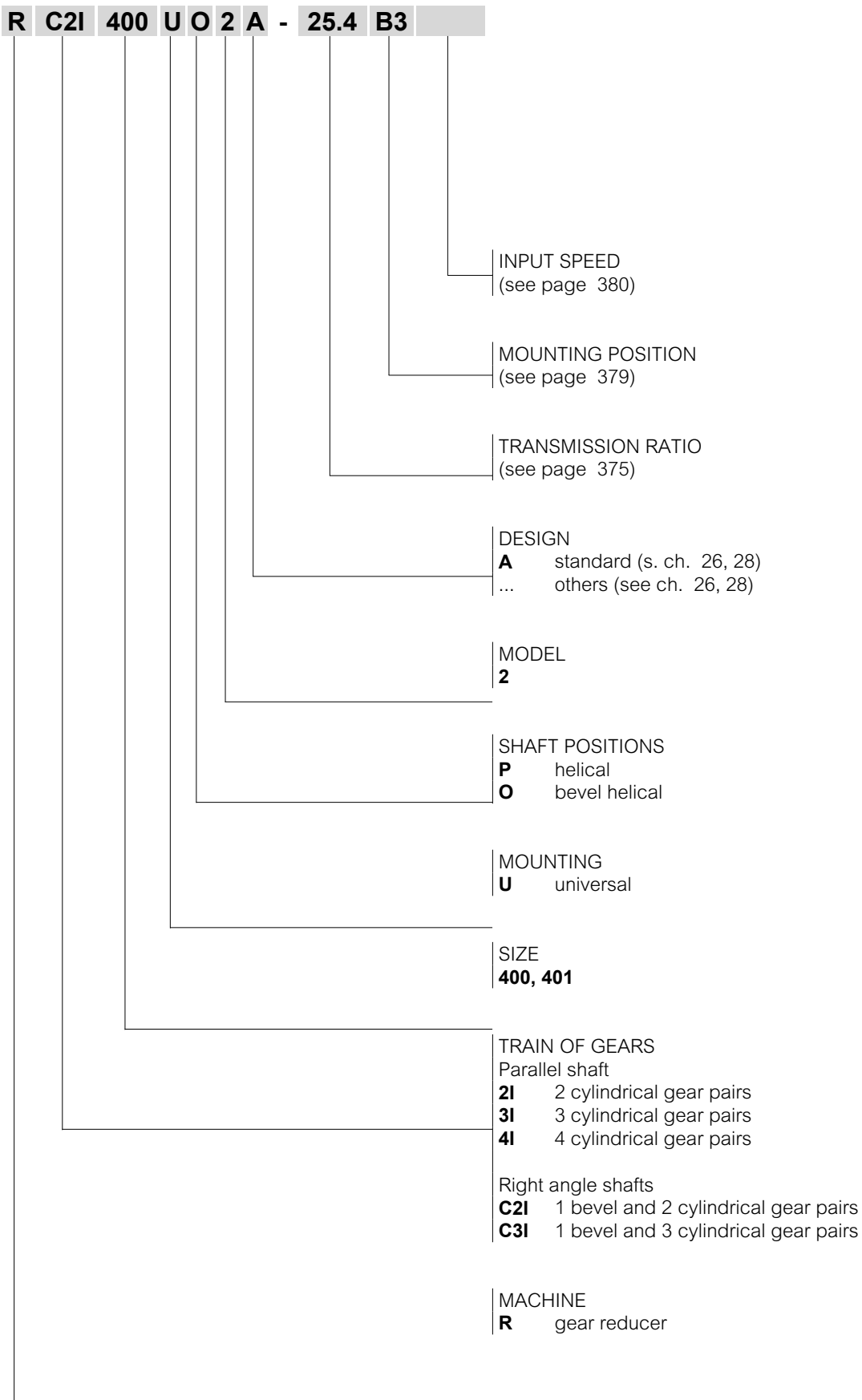


401
103 kN m - 200 kN



20 - Designation

Designation code

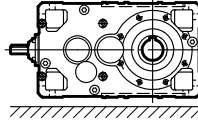


Note: For ATEX environment see details at page 447.

Gear reducer mounting position

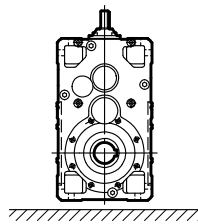
Mounting positions of gear reducers and gearmotors are stated at ch. 26, 28 (the designation of mounting position is referred to foot mounting only, even if gear reducers are in universal mounting). Here following see some designation examples of important mounting positions.

1. **Standard** mounting position **B3**; in case of no specific needs, **prefer the adoption of B3 mounting positions** as it is the most advised from a technical and economic point of view (maximum simplification of lubrication system, lower oil splash, lower gear reducer heating, stock availability).

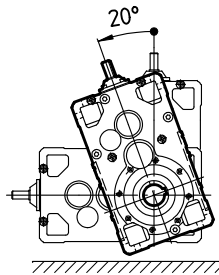


2. **Non-standard** mounting positions

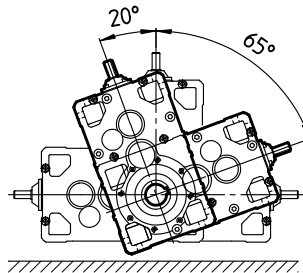
- 2a. Mounting position to catalog (see ch. 26, 28), **one only** and **fixed**, differing from B3; e.g.: mounting position **B6**



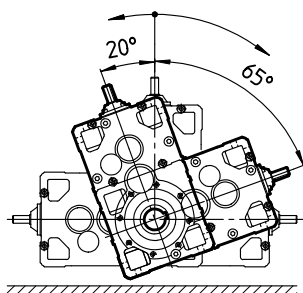
- 2b. **Inclined** and **fixed** mounting position ; e.g.: mounting position **B6 - 20° B3**



- 2c. **One only** mounting position **but defined within a predetermined angle**; e.g.: mounting position included among **B6 - 20° B3 / B6 - 65° B8**



- 2d. **Oscillatory** mounting position (gear reducer oscillating when running); e.g.: mounting position **B6 - 20° B3 / B6 - 65° B8 oscillatory**



UT. C 2088

Input speed

The designation is to be completed stating the input speed n_1 , in the following cases:

- $n_1 > 1800 \text{ min}^{-1}$ or $n_1 \leq 355 \text{ min}^{-1}$;
- for cases highlighted with following symbols (\blacktriangle , \blacklozenge , \textcircled{b}) (ch. 26, 28);
- when forced cooling is required.

Example:

R 2I 400 UP2A/17,6 **mounting position V5**, $n_1 = 900 \text{ min}^{-1}$

R C2I 401 UO2A/51,3 **mounting position B3**, $n_1 = 2000 \div 600 \text{ min}^{-1}$

Accessories and non-standard designs

In the event of a gear reducer being required in a design different from those stated above, specify it in detail (ch. 35).

21 - Service factor *fs*

Service factor f_s takes into account the different running conditions (nature of load, running time, frequency of starting, speed n_2 , other considerations) which must be referred to when performing calculations of gear reducer selection and verification.

The power and torques shown in the catalog are nominal values (i.e. valid for $f_s = 1$).

The **minimum service factor required** is given by the following ratio:

$$f_s \text{ required} \geq f_{s1} \cdot f_{s2} \cdot f_{s3} \cdot f_{s4} \cdot f_{s5}$$

where $f_{s1} \dots f_{s5}$ are stated in the following tables.

Service factor f_{s1} based on the **nature of load** and **running time**

Nature of load ¹⁾ of the driven machine		f_{s1}				
		Running time [h/d] \leq				
Ref.	Description	2	4	8	16	24
a	Uniform	1	1	1	1,18	1,32
b	Moderate overloads (1,6 times the normal load)	1,12	1,18	1,25	1,5	1,7
c	Heavy overloads (2,5 times the normal load)	1,4	1,5	1,7	2	2,24

Service factor f_{s2} based on **nature of load** and of **frequency of starting**

Nature of load ¹⁾ of the driven machine		f_{s2}					
		Frequency of starting z [starts/h]					
Ref.	Description	1	2	4	8	16	32
a	Uniform	1	1,06	1,12	1,18	1,25	1,5
b	Moderate overloads (1,6 times the normal load)	1	1	1,06	1,12	1,18	1,4
c	Heavy overloads (2,5 times the normal load)	1	1	1	1,06	1,12	1,32

Service factor f_{s3} based on **motor type**

Motor type	f_{s3}
Electric, turbine	1
Electric three-phase brake motor	1,06 ⁴⁾
Internal multi-cylinder	1,25
Internal combustion single-cylinder	1,5

Service factor f_{s4} based on **reliability level**

Reliability level ⁵⁾	f_{s4}
Standard	1
Average	1,25
High	1,4

Service factor f_{s5} based on **output angular speed n_2**

Output speed n_2 [min ⁻¹]	f_{s5}
> 560	1,32
560 ÷ 355	1,25
355 ÷ 224	1,18
224 ÷ 140	1,12
140 ÷ 90	1,06
≤ 90	1

Details and considerations about service factor.

f_s values stated above are valid for:

- maximum time on overload 15 s, on starting 3 s; if over and/or subject to heavy shock effect, consult us;
- a whole number of overload cycles (or start) **imprecisely completed** in 1, 2, 3 or 4 revolutions of low speed shaft; if **precisely**, a continuous overload should be assumed;

Motors having a starting torque not exceeding nominal values (star-delta starting, particular types of motor operating on direct current, and single-phase motors), and particular types of coupling between gear reducer and motor, and gear reducer and driven machine (flexible, centrifugal, fluid and safety couplings, clutches and belt drives) affect service factor favourably, allowing its reduction in certain heavy-duty applications; consult us if need be.

1) For indication on the type of load of the driven machine according to the application, see table on next page.

4) For Y- Δ starting, running with inverter or with «soft start» devices, $f_{s3} = 1$.

5) Reliability degrees higher than normal are required in presence of very difficult maintenance, great importance of gear reducer in the production cycle, safety, etc.

Classification of nature of load according to application

Application	Ref. load *	Application	Ref. load *	Application	Ref. load *
Stirrers and mixers Liquids: – constant density – varying density, solids in suspension, high viscosity concrete mixers, mullers, flash mixers	a b c	Lumber and woodworking industries mechanical loaders, pallet stackers conveyors for: – boards, chips, waste – logs machine tools (planing, cutting, cross-cut and re-sawing, tenoning, bevelling, moulding, sanding, sizing and scratch-brushing machinery etc.): – feed drive – cutter drive barkers: – mechanical and hydraulic – drum	a, b b c	transverse drive rollers, draw benches, coilers, inverter, draglines, flattening rolls, bending rolls pushers, descaling equipment, pipe welders, mill roll train drives, rolling mills, forging presses, billet croppers, power hammers, punches, impact extruders, tapping machines, straightening presses Rollerways Mills rotary (rod, roller, pebble, ball) hammer, pin crusher, centrifugal, impact, rolling (ball or roller)	b c b, c
Feeders and batchers rotary (roller, table, sector) belt, screw, plate reciprocating, shaker	a a, b c	Oil industry paraffin filter presses, chillers rotary drilling equipment pumping equipment	b b, c	Pumps rotary (gear, screw, lobe, vane) and axial centrifugal: – liquids, constant density – liquids, variable density or high viscosity proportioning alternative: – single acting (≥ 3 cylinders), double acting (≥ 2 cylinders) – single acting (≤ 2 cylinders), double acting single cylinder	c b, c
Compressors centrifugal (single-stage, multi-stage) rotary (vane, lobe, screw) axial reciprocating: – multi-cylinder – single-cylinder	a b b b b c	Textile industry calenders, cards, pickers, dryers, nappers, spinners, slashers, pads, soapers, washers, mangles, tenter frames, looms (Jacquard), warping machines, winders, knitting machines, dyeing machines, twisting frames, gig mills, cutters	b b c	Rotating drums dryers, chillers, rotary kilns, washing machines tumblers, cement kilns	a, b a b b
Elevators belt, centrifugal or gravity discharge, screw jacks, escalators bucket, arm and tray elevators, paddle wheel, hoists, skips man lifts, mobile scaffolding, passenger transport (cable cars, chair, ski, gondola lifts etc.)	a, b b a, b	Clay working machinery pug mills, extruders, rotary deslimers brick and tile presses	b b c	Transport conveyors belts (plastic, rubber, metal) for: – fine grade loose material – coarse grade loose material or discrete items belt, apron, bucket, slat, tray, roller, screw, chain, overhead rail, assembly drag (slat, flight, chain, Redler, etc.) ground level chain, flow accumulating reciprocating, shaker overhead power rail	b c
Excavators and dredges cable reels, conveyors, pumps, winches (manoeuvring and utility), stackers, draining wheels cutter head drives, cutters, excavators (bucket ladder, paddle wheel, cutter) vehicles: – on rails – crawlers	b c b c	Rubber and plastics industries extruders: – plastics – rubber mixing mills, warming mills, friction calenders, refiners, tubers and strainers, rolling mills crackers, masticators	b b c	Sewage treatment biological tanks (revolving disk) dewatering screws, collectors, rotary screens, thickeners, vacuum filters, anaerobic digestion tanks aerators, rotary breakers	a a b c
Crushers and granulators sugar cane, rubber, plastics minerals, stone	b c	Wrapping and stacking machinery wrapping (film, cardboard), binding, strapping and labelling equipment palletizing/depalletizing and stacking/unstacking machinery, palletizing robots	a b a, b	Screen and riddles air washing, travelling water intake rotary (stone, gravel, cereals) vibrating screens, riddles, jigs	b c
Cranes, winches and travelling lifts travel (bridge, trolley, forks) ¹⁾ slewing hoist ²⁾	b b a, b	Engineering machine tools boring, shaping, planing, broaching, gear cutting and FMS machines, etc.: – main drivers (cut and feed) auxiliary drives (tools magazine, chip conveyor, workpiece infeed)	b a b	Fans small diameter (centrifugal, axial-flow) large diameter (mines, furnaces, etc.) cooling towers (inducted or forced draft), ducted, piston	a b a b
Food industry cookers (cereals and malt), mash tubs slicers, dough mixers, meat grinders, beet slicers, centrifuges, peelers, winemaking plant, bottle/bin/crate washers, rinsers, fillers, corkers, capers, extruders, crate filling and emptying equipment	a b	Mechanisms indexing, crank and slotted link, Maltese cross, articulated parallelogram rod and crank, cam control (cam and tappet, cam and rocker)	b c		
Paper mills winders, suction rolls, dryers, embossing machinery, bleachers, press rolls, coating rolls, paper rolls, beaters, and pulpers agitators, mixers, extruders, chip feeders, calenders, felt dryers and stretchers, rag grinders, washers, thickeners cutters, chippers, calenders (super), felt whippers, glazing machines, presses	a b c	Metal mills shears: – trimming, cropping, facing – for sheet/plate, ingots, billets	b c		

* Nature of load reference admits of modification where precise knowledge of duty is available.
 1) In the traverse movement of the bridge usually it is necessary to have at least $fs > 1,6$ and in the storeyard cranes $fs > 2$ (container handling).
 2) For selection of fs to F.E.M./I-10.1987, consult us.

Page intentionally left blank

22 - Thermal power P_t [kW]

The nominal thermal power P_{tN} , stated in red in the table, is that which can be applied at the gear reducer input, without exceeding 95 °C¹⁾ approximately oil temperature when operating in following running conditions:

- input speed $n_1 = 1\,500 \text{ min}^{-1}$;
- mounting position B3;
- continuous duty S1;
- maximum ambient temperature 20 °C (in the table also the values referred to 40 °C);
- maximum altitude 1 000 m above sea level;
- air speed $\geq 1,25 \text{ m/s}$ (typical value in presence of a self-cooled motor).

Nominal thermal power P_{tN}

Size	T_{amb}	P_{tN} [kW]		
		2I	3I, C2I	4I, C3I
400, 401	20 °C	315	236	180
	40 °C	236	180	132

Always verify that the power applied P_1 is lower than or equal to gear reducer thermal power P_{tN} multiplied by correction coefficients f_1, f_2, f_3, f_4, f_5 (stated in the following tables) considering the various operating conditions:

$$P_1 \leq P_{tN} \cdot f_1 \cdot f_2 \cdot f_3 \cdot f_4 \cdot f_5$$

When the power applied is not constant and when the exact load cycle is given, it is possible, or advisable, to calculate the equivalent power applied, according to the formula:

$$P_{1th} = \frac{1}{\eta} \cdot \sqrt[3]{\frac{P_{21}^3 \cdot t_1 + P_{22}^3 \cdot t_2 + \dots + P_{2i}^3 \cdot t_i + \dots + P_{2n}^3 \cdot t_n}{t_c}}$$

where:

η is the gear reducer efficiency (see ch. 6);

P_{2i} [kW] is the power, referred to the gear reducer output, required in the time interval t_i [s];

$t_c = t_1 + t_2 + \dots + t_i + \dots + t_n$ is the total duration of load cycle [s].

In these cases choose factor f_2 from the continuous duty column S1.

Whenever the thermal verification should not be satisfied, in spite the prearrangement of cooling system, it is possible to install an **independent cooling unit with heat exchanger** (see ch. 30.(29)); consult us.

Thermal power needs not be taken into account when maximum duration of continuous running time is 1 ÷ 3 h (from small to large gear reducer sizes) followed by rest periods long enough to restore the gear reducer to near ambient temperature (likewise 2 ÷ 4 h). For maximum ambient temperature higher than 40 °C or lower than 0 °C consult us.

- 1) Corresponding to an average temperature of the external housing surface of approximately 85 °C; locally housing temperature can achieve the oil temperature.
- 1) If, simultaneously, forced cooling with coil is acting, multiply the values by 1,8.
- 4) For positions, dimensions and design verification see ch. 30.
- 5) Value also valid for electric fan (installed by the Buyer).
- 6) With axial fan, values are to be multiplied by 1,12. Consult us.
- 7) (Duration of running on load / 60) · 100 [%].

Thermal factor f_{t1} (= $f_{t1a} \cdot f_{t1b}$) according to **cooling system** and **input speed n_1**

Cooling system				f_{t1a}, f_{t1b}				
				input speed n_1 [min ⁻¹]				
				750	1 000	1 200	1 500	1 800
f_{t1a}	Natural convection	train of gears	2I	1,18	1,12	1,06	1	0,85
			3I, 4I, C2I, C3I	1,06	1,06	1,03	1	0,95
f_{t1b}	Forced cooling ^{3) 4) 6)}	with 1 radial fan (helical gear units)		1,12	1,18	1,25	1,32	1,4
			with 2 radial fans (helical gear units)	1,25	1,4	1,6	1,8 ⁵⁾	2
	with water coil ⁴⁾	with 1 radial fan (bevel helical gear units)	2					
		with heat exchanger ⁴⁾	see ch. 30					

Thermal factor f_{t2} according to **ambient temperature** and **service**

Maximum ambient temperature °C	Continuous duty S1	f_{t2}			
		Intermittent duty S3 ... S6			
		Cyclic duration factor [%] for 60 min running ⁷⁾			
		60	40	25	15
50	0,6	0,71	0,8	0,95	1
40	0,75	0,9	1	1,12	1,25
30	0,9	1,06	1,18	1,32	1,5
20	1	1,18	1,32	1,5	1,7
10	1,12	1,32	1,5	1,7	1,9

Thermal factor f_{t4} according to **altitude of installation**

Altitude a.s.l. [m]	f_{t4}
≤ 1 000	1
1 000 ÷ 2 000	0,95
2 000 ÷ 3 000	0,9
3 000 ÷ 4 000	0,85
≥ 4 000	0,8

Thermal factor f_{t3} according to **mounting position** (see also ch. 26, 28): where it is not specified $f_{t3} = 1$

Train of gears	f_{t3}				
	mounting position				
	B3, B8	B6	B7	V5	V6
2I	1	0,9	0,8	0,8	0,9
3I	1	0,9	0,8	0,8	0,9
4I	1	0,9	0,8	0,8	0,9
C2I	UO2A, UO2N sin UO2V, UO2L sin	1	0,9	0,8	0,9 with upper low speed wheel 0,8 with low speed wheel below
	UO2H, UO2M sin	0,9	0,8	0,71	0,8 with upper low speed wheel 0,71 with low speed wheel below
C3I	1	0,9	0,8	0,9 with low speed shaft below 0,8 with upper low speed wheel	

Thermal factor f_{t5} according to cooling air speed on housing

Air speed m/s	Installation environment	f_{t5}
< 0,63	very small environment or without air movements or with protected gear reducer	consult us
0,63	small environment and with limited air movements	0,71
1	wide environment without air movements	0,9
1,25	wide environment with light air movements (e.g. gearmotor with self-cooled motor)	1
2,5	open and colled	1,18
4	with heavy air movements	1,32

Page intentionally left blank

23 - Selection

23.1 - Preliminary considerations

Motor power

Taking into account the efficiency of the gear reducer, and other drives – if any – motor power is to be as near as possible to the power rating required by the driven machine: accurate calculation is therefore recommended.

The power required by the machine can be calculated, seeing that it is related directly to the power-requirement of the work to be carried out, to friction (starting, sliding or rolling friction) and inertia (particularly when mass and/or acceleration or deceleration are considerable). It can also be determined experimentally on the basis of tests, comparisons with existing applications, or readings taken with amperometers or wattmeters.

An oversized motor would involve: a greater starting current and consequently larger fuses and heavier cable; a higher running cost as power factor (cos w) and efficiency would suffer; greater stress on the drive, causing danger of mechanical failure, drive being normally proportionate to the power rating required by the machine, not to motor power.

In such cases, a detailed description of duty requirement must be made available: duration and frequency per hour of work cycle, acceleration and deceleration requirements if any, inertia, loads deriving from friction and work. In the absence of such data it is essential to provide all details which will permit their determination.

Only high values of ambient temperature, altitude, frequency of starting or other particular conditions require an increase in motor power.

Input speed n_1

The maximum gear reducer input speed, valid for **continuous duty S1 and in absence of a forced lubrication system of gears and bearings (with eventual heat exchanger)**, is stated in the following table according to train of gears and gear reducer size; however, according to specific transmission ratio, this limit could not be achieved: in these cases, in the selection tables (s. ch. 25,27), performance P_{N2} is not stated and value M_{N2} is valid only for B selection method (s. 23.2).

For intermittent duty or for particular needs, higher speeds are possible, but always lower than n_{1peak} ; consult us.

Peak speed is admitted for a maximum duration of 5 s, including a proper rest period or a low speed period for the cooling of gear reducer, especially on high speed shaft side.

For variable n_1 , the selection should be carried out on the basis of n_{1max} , but it should also be verified on the basis of n_{1min} .

When there is a belt drive between motor and gear reducer, different input speeds n_1 should be examined in order to select the most suitable unit from engineering and economy standpoints alike.

Input speed should not be higher than 1 800 min⁻¹, unless conditions make it necessary; better to take advantage of the transmission, and use an input speed lower than 900 min⁻¹.

Size	Train of gears											
	i_N	2I		3I		4I		i_N	C2I		C3I	
		n_{1max} min ⁻¹	n_{1peak} min ⁻¹	n_{1max} min ⁻¹	n_{1peak} min ⁻¹	n_{1max} min ⁻¹	n_{1peak} min ⁻¹		n_{1max} min ⁻¹	n_{1peak} min ⁻¹	n_{1max} min ⁻¹	n_{1peak} min ⁻¹
400, 401	≤ 11.2	1 600	2 120	1 800	2 240	1 800	2 360	≤ 25	1 500	2 240	1 800	2 360
	≥ 12.5	1 800	2 120					≥ 28	1 800	2 240		

23.2 - Determining the gear reducer size

Constant load

- Fill out the questionnaire for the selection on page 392; in particular, make available required output power P_2 , the angular speeds n_2 and n_1 , the running conditions (nature of load, frequency of starting h/d, frequency of starting z, other considerations) referring to ch. 21.
- Determine service factor f_s required on the basis of running conditions (ch. 21).
- Select the gear reducer size (also, the train of gears and transmission ratio i at the same time) on the basis of n_2 , n_1 and of a power P_{N2} greater than or equal to $P_2 \cdot f_s$ (ch. 25 and 27).
- Calculate power P_1 required at input side of gear reducer using the formula P_2 / η , where $\eta = 0,97 \div 0,94$ is the efficiency of gear reducer (ch. 24).

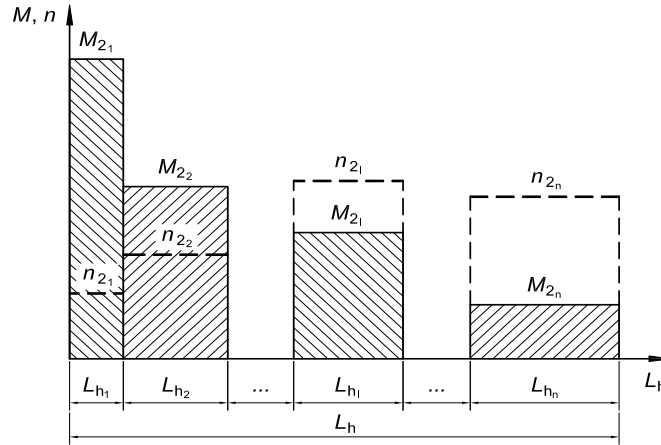
When for reasons of motor standardization, power P_1 applied at input side of gear reducer turns out to be higher than the power required (considering motor/gear reducer efficiency), it must be certain that this excess power applied will never be required, and frequency of starting z is so low as not to affect service factor (ch. 23. (3)).

Otherwise, make the selection by multiplying P_{N2} by P_1 applied / P_1 required.

Calculations can also be made on the basis of torque instead of power; this method is even preferable for low n_2 values.

Variable load

- Fill out the questionnaire for the selection on page 392; in particular, make available the torque M_2 and the angular speed n_2 required at gear reducer output, the running conditions (nature of load, duration of running required, frequency of starting z , other considerations) referring to ch. 21.
- In presence of required torque M_2 and angular speed n_2 variable in time, according to a given load cycle, calculate the equivalent torque M_{2eq} and angular speed n_{2eq} with the following formulae:



$$M_{2eq} = \sqrt[p]{\frac{M_{21}^p \cdot n_{21} \cdot L_{h1} + M_{22}^p \cdot n_{22} \cdot L_{h2} + \dots + M_{2i}^p \cdot n_{2i} \cdot L_{hi} + \dots + M_{2n}^p \cdot n_{2n} \cdot L_{hn}}{n_{2eq} \cdot L_h}}$$

$$n_{2eq} = \frac{n_{21} \cdot L_{h1} + n_{22} \cdot L_{h2} + \dots + n_{2i} \cdot L_{hi} + \dots + n_{2n} \cdot L_{hn}}{L_h}$$

where:

- M_{2eq} [N m] is the equivalent torque of load cycle
- M_{2i} [N m] is the torque required (constant) of load level i
- n_{2eq} [min^{-1}] is the equivalent speed in the load cycle
- n_{2i} [min^{-1}] is the low speed shaft speed (constant) of load level i
- t_i [min] is the duration of interval i
- t_c [min] is the total duration of cycle ($t_1 + \dots + t_i + \dots + t_n$)
- $p = 6,61$ for a running duration ≤ 8 h/d
- $p = 3,33$ for a running duration > 8 h/d

23.3 - Verifications

- Verify possible radial loads F_{r1} , F_{r2} and axial loads F_{a2} according to instructions and values given in ch. 29.
- When a load chart is available, and/or there are overloads – due to starting on full load (especially with high inertias and low transmission ratios), braking, shocks, gear reducers in which the low speed shaft becomes driving member due to driven machine inertia, or other static or dynamic causes - verify that the maximum torque peak (ch. 24) is always lower than $2 \cdot M_{N2}$, if hither or if it cannot be evaluated in the above cases – install a safety device so that $2 \cdot M_{N2}$ will be never exceeded.
- Verify for each single interval i of the eventual load cycle that the required torque M_{2i} is lower than $2 \cdot M_{N2}$ and therefore never higher than M_{N2} valid for $n_1 \leq 90 \text{ min}^{-1}$ (see ch. 25 and 27) and that input speed (relevant to output shaft speed n_{2i}) is $n_{1i} \leq n_{1max}$ (s. ch. 23.1);
- Verify the possible need for forced cooling (ch. 22 and 30).
- Verify that the input speed is lower than or equal to n_{1max} (see ch. 23.1);
- For gear reducers with backstop device, having particular i_N or low values of f_s , verify max load capacity of backstop device (ch. 30).

23.4 - Selection questionnaire

Make available all data and information necessary for a correct gear reducer selection by filling out the questionnaire on next page.

Attach any technical specifications relevant to gear reducer, excluding data regarding the machine of the plant.

When possible, attach all possible drawings, pictures and/or any further information facilitating the technical and economic selection.

1 Conditions of application

Area of application/Industry sector

Type of machine to be driven

- new machine
- existing and running machine gear reducer in use

Ambient temperature [°C]

min	normal	max
<input type="text"/>	<input type="text"/>	<input type="text"/>

Altitude [m a.s.l.]

Ambient:

- normal (industrial) indoor
- normal (industrial) outdoor
- dusty
- corrosive / humid

Gear reducer position:

- tight space with insufficient air recycle ($v_{air} < 0,63$ m/s)
- wide space with free air recycle ($v_{air} \geq 1,25$ m/s)
- outdoor, protected against extremes of weather and radiation

2 Data of load

Output speed required [min⁻¹]

min	nominal	max
<input type="text"/>	<input type="text"/>	<input type="text"/>

Output torque required [N m]

min	nominal	max
<input type="text"/>	<input type="text"/>	<input type="text"/>

Power required on low speed shaft [kW]

min	nominal	max
<input type="text"/>	<input type="text"/>	<input type="text"/>

Input speed (gear reducers) [min⁻¹]

min	nominal	max
<input type="text"/>	<input type="text"/>	<input type="text"/>

Nature of load:

- uniform
- moderate overloads
- heavy overloads

Frequency of starting [starts/h]

Moment of inertia of machine [kg m²]

min	normal	max
<input type="text"/>	<input type="text"/>	<input type="text"/>

Running time [h/d]

Total duration [h]

Duty cycle (S1 ... S10)

Load cycle attached

- yes
- no

3 Motor

Motor type:

- asynchronous three-phase (a.c.)
- asynchronous three-phase + inverter
- d.c. + converter
- internal combust. (one - cylinder)
- internal combust. (multi-cylinder)

Power P_1 [kW]

min	nominal	max
<input type="text"/>	<input type="text"/>	<input type="text"/>

Nominal speed n_1 [min⁻¹]

min	nominal	max
<input type="text"/>	<input type="text"/>	<input type="text"/>

A.c. motor supply:

voltage [V]	frequency [Hz]
<input type="text"/>	<input type="text"/>

IEC motor size (a.c. motor)

A.c. motor connection:

- direct
- Y / Δ
- soft starter / inverter

Electromagnetic brake

- parking
- working
- safety

Braking torque [N m]

Starting torque [N m]

Moment of inertia [kg m²]

Electric motor design (a.c. and d.c.):

- with fan cooling
- with encoder:
- with tachometer generator

Connection with gear reducer:

- with coupling
- with V-belt

section	No.	d_m [mm]	d_1 [mm]
<input type="text"/>	<input type="text"/>	<input type="text"/>	<input type="text"/>

<input type="checkbox"/> with toothed belt			
section	No.	d_m [mm]	
<input type="text"/>	<input type="text"/>	<input type="text"/>	

Eventual limitation of drive overall dimensions

4 Gear reducer

Mounting position

Output shaft direction of rotation

- white arrow
- black arrow
- black and white arrow

Backstop device (if any)

- white arrow free rotation
- black arrow free rotation

Type of cooling admitted

- fan cooling
- coil
- internal heat exchanger
- unit UR O/A
- unit UR O/W

Type of connection to machine

- shaft mounting
- flexible / semi-flexible coupling
- universal coupling
- timing belt

pitch	d_m	d_1	ψ
<input type="text"/>	<input type="text"/>	<input type="text"/>	<input type="text"/>

chain

pitch	No.	z_2	z_3	overhang [mm]	ψ
<input type="text"/>	<input type="text"/>	<input type="text"/>	<input type="text"/>	<input type="text"/>	<input type="text"/>

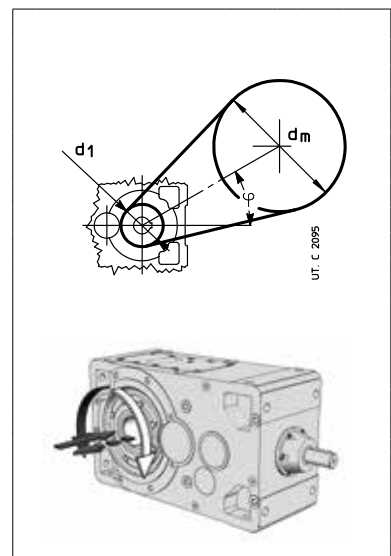
straight tooth helical gear pair

pitch	No.	z_2	z_3	overhang [mm]	ψ
<input type="text"/>	<input type="text"/>	<input type="text"/>	<input type="text"/>	<input type="text"/>	<input type="text"/>

Eventual axial load F_a [N]

← - - -	→
<input type="text"/>	<input type="text"/>

Eventual reduction of drive overall dimensions



24 - Structural and operational details

Sound levels L_{WA} and L_{pA}

Standard production sound power level L_{WA} [dB(A)]¹⁾ and mean sound pressure level L_{pA} [dB(A)]²⁾ assuming nominal load, and input speed $n_1 = 1\ 500$ ³⁾ min⁻¹. Tolerance +3 dB(A).

If required, gear reducers can be supplied with reduced sound levels (normally 3 dB(A) less than tabulated values): consult us.

In case of gear reducers with fan cooling, add to the values in the table 3 dB(A) for 1 fan and 5 dB(A) for 2 fans.

Size	Helical gear reducers										Bevel helical gear reducers							
	R 2I				R 3I				R 4I		R C2I				R C3I			
	$i_N \leq 12,5$		$i_N \geq 14$		$i_N \leq 63$		$i_N \geq 71$		$i_N \leq 160$	$i_N \geq 200$	$i_N \leq 63$		$i_N \geq 71$		$i_N \leq 63$	$i_N \geq 71$		
	L_{WA}	L_{pA}	L_{WA}	L_{pA}	L_{WA}	L_{pA}	L_{WA}	L_{pA}	L_{WA}	L_{pA}	L_{WA}	L_{pA}	L_{WA}	L_{pA}	L_{WA}	L_{pA}		
400, 401	105	93	102	90	101	89	98	86	95	83	92	80	98	86	96	84	92	80

1) To ISO/CD 8579.

2) Mean value of measurement at 1 m from external profile of gear reducer standing in free field on a reflecting surface.

3) In the speed range $n_1 = 750 + 1\ 800$ min⁻¹, sum to the table values: -3 dB(A) for 750 min⁻¹; -2 dB(A) for 1000 min⁻¹; -1 dB(A) for $n_1 = 1\ 200$ min⁻¹; 2 dB(A) for $n_1 = 1\ 800$ min⁻¹.

Efficiency

The efficiency stated in the table is rough and referred to nominal running conditions (torque, speed, temperature); it is necessary to keep in mind that the efficiency value can diminish considerably for values of $M_2 \ll M_{N2}$.

Nominal efficiency	Helical gear reducers						Bevel helical gear reducers	
	R 2I		R 3I		R 4I		R C2I	R C3I
η	0.970		0.955		0.940		0.955	0.940

Overloads

When a gear reducer is subjected to high static and dynamic overloads, the need arises for verifying that such overloads will always remain lower than $2 \cdot M_{N2}$ (see ch. 25, 27).

Overloads are normally generated when one has:

- starting on full load (especially for high inertias and low transmission ratios), braking, shocks;
- gear reducers in which the low speed shaft becomes driving member due to driven machine inertia;
- applied power higher than that required; other static or dynamic causes.

The following general observations on overloads are accompanied by some formulae for carrying out evaluations in certain typical instances.

Where no evaluation is possible, install safety devices which will keep values within $2 \cdot M_{N2}$.

Starting torque

When starting on full load (especially for high inertias and low transmission ratios) verify that $2 \cdot M_{N2}$ is equal to or greater than starting torque, by using the following formula:

$$M_2 \text{ start} = \left(\frac{M_{\text{start}}}{M_N} \cdot M_2 \text{ available} - M_2 \text{ required} \right) \frac{J}{J + J_0} + M_2 \text{ required}$$

where:

M_{start} and M_N are the starting torque and the motor nominal torque, respectively;

M_2 required is the torque absorbed by the machine through work and frictions;

M_2 available is the output torque due to motor nominal power;

J_0 is the moment of inertia (of mass) of the motor;

J is the external moment of inertia (of mass) in kg m² (gear reducers, couplings, driven machine) referred to the motor shaft;

NOTE: when seeking to verify that starting torque is sufficiently high for starting, take into account starting friction, if any, in evaluating M_2 required.

Stopping machines with high kinetic energy (high moments of inertia combined with high speeds) with brake motor

Verify braking stress by means of the formula:

$$\left(\frac{Mf}{\eta} \cdot i + M_2 \text{ required} \right) \frac{J}{J + J_0} - M_2 \text{ required} \leq 2 \cdot M_{N2}$$

where:

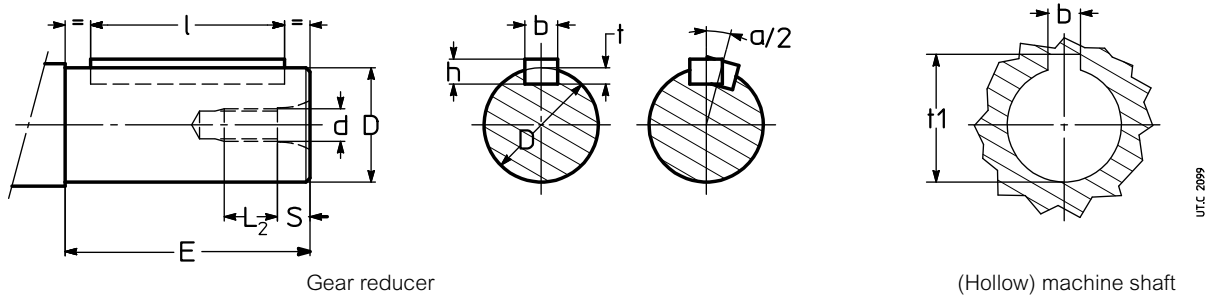
Mf is the braking torque applied on high speed shaft; for other symbols see above and ch. 19.

Moment of inertia (of mass) J_1 [kg m²]

The moment of inertia is referred to the high speed shaft of gear reducer, standard design; the one referred to the low speed shaft is given by following ratio: $J_2 = J_1 \cdot i_2^2$,

Gear red, size	Moment of inertia of mass J_1 [kg m ²]												
	2I		3I		4I		C2I				C3I		
	$i_N \leq 12,5$	$i_N \geq 14$	$i_N \leq 56$	$i_N \geq 63$	$i_N \leq 160$	$i_N \geq 200$	$i_N \leq 31,5$	$i_N 35,5 \dots 63$	$i_N 71 \dots 90$	$i_N \geq 100$	$i_N \leq 125$	$i_N 160 \dots 200$	$i_N \geq 250$
400, 401	0,554	0,343	0,121	0,050	0,048	0,011	0,402	0,226	0,107	0,083	0,041	0,027	0,013

High and low speed shaft end



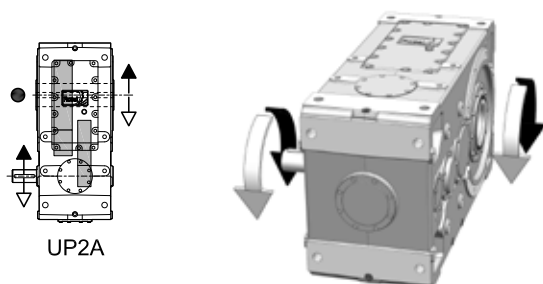
D Ø	Shaft end					Parallel key				Keyway			
	E	d Ø	S	L ₂	a/2 arc min 1)	b h9	x h11	x	l	b h9 hub N9 shaft	t shaft	t ₁ hub	
38 k6	80	M10	7,6	18,4	3,27	10	x	8	x	70	10	5	41,3
48 k6	110	M12	9,5	22,5	3,08	14	x	9	x	90	14	5,5	51,8
55 m6	110	M12	9,5	22,5	2,75	16	x	10	x	90	16	6	59,3
65 m6	140	M16	12,7	27,3	2,33	18	x	11	x	110	18	7	69,4
70 m6	140	M16	12,7	27,3	2,55	20	x	12	x	125	20	7,5	74,9
80 m6	170	M20	16	34	2,23	22	x	14	x	140	22	9	85,4
90 m6	170	M20	16	34	1,99	25	x	14	x	140	25	9	95,4
110 m6	210	M24	19	41	1,63	28	x	16	x	180	28	10	116,4
190 m6	280	M36	27	54	1,12	45	x	25	x	250	45	15	200,4
200 m6	280	M36	27	54	1,07	45	x	25	x	250	45	15	210,4

1) Maximum angular disalignment of keyways on double extension shafts

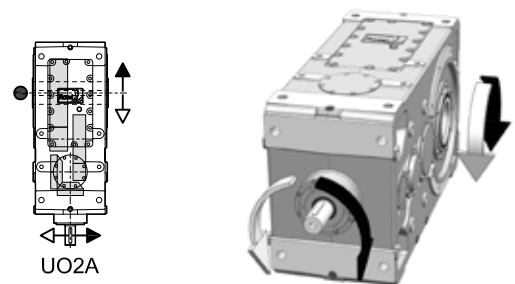
Direction of rotation

The correspondence between gear reducer high speed shaft and low speed shaft direction of rotation is given at ch. 26, 28 and it is according to design and train of gears, For the arrows' meaning interpretation refer to the following examples

Helical gear reducer:
R 2I 400, 401 UP2A



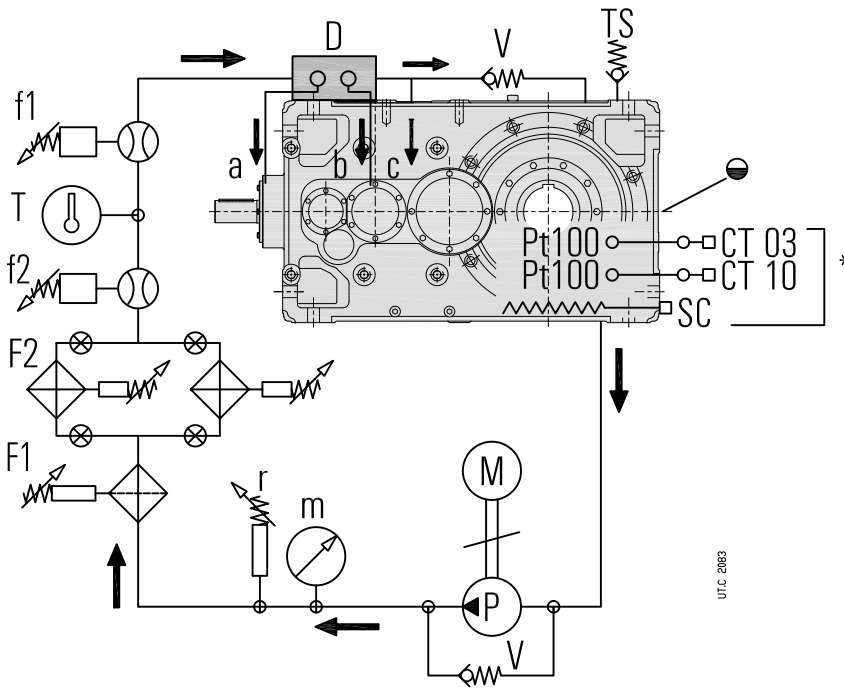
Bevel helical gear reducer:
R C2I 400, 401 UO2A



- Low speed shaft position (s. ch. 26 and 28) for the verification of radial load.

Forced lubrication of bearings and/or gears with motor pump: hydraulic circuit diagram

NOTE: Bearings and/or gear pairs to be forced lubricated are defined by Rossi according to gear reducer and application.



As standard

a, b, c	Gear pair/bearing pipes
m	Pressure gauge (0 ÷ 16 bar)
M	Motor pump (ch. 30(29))
P	Pump (ch. 12(29))
T	Thermometer 0 ÷ 120 °C
V	Safety valve
r	Minimum pressure gauge
TS	Filler plug
D	Flow rate
	Approx. oil level

On request

Pt100*	Oil temperature probe (loose)*
f1	Electric flow switch: vertical mounting
f2	Visible flow switch
F1	Filter
F2	Exchange filter
CT03N*, CT10N*	Control devices with 2 and 3 thresholds (separately supplied); supply 230 V 50 Hz*
SC*	Oil heater*

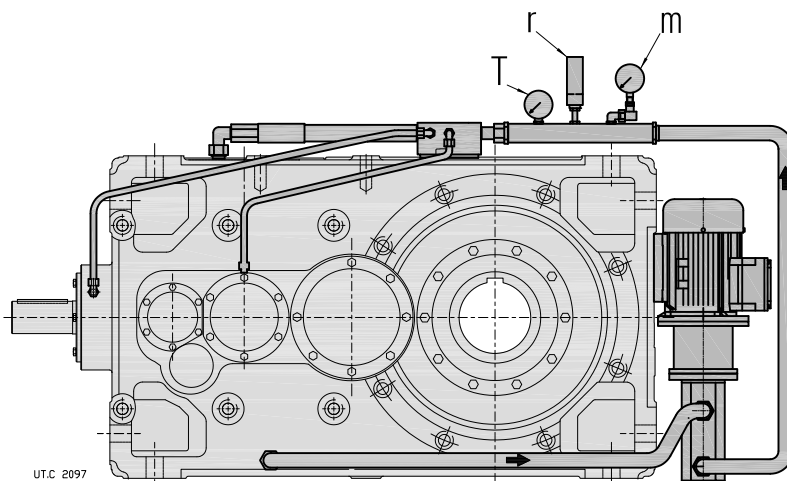
* On request, but necessary for gear reducer starting at $T_{ambient} (= T_{oil}) \leq 25 \text{ °C}$: pre-heat the oil with the heater.

Starting at low temperature ($T_{oil} = T_{ambient} \leq 25 \text{ °C}$) of gear reducer with forced lubrication

Always foresee the oil heater and the 2-threshold signalling device CT03N + Pt100 and the 3-threshold signalling device CT10N + Pt100.

- **CT03N** (2-threshold device) and relevant temperature probe Pt100, to pilot the heater; set the operating threshold at 50 °C (stopping the heater supply) and the reset threshold at 30 °C.
- **CT10N** (3-threshold device) and relevant temperature probe Pt100 to start the motor pump and the motor of gear reducer; it is advised to delay the starting of gear reducer motor by at least 1 min from the motor pump starting so that oil is already circulating: the motor pump must run simultaneously with gear reducer; set the operating threshold at 30 °C to start the gear reducer and the motor pump, the reset threshold at 0 °C (10 °C when having the independent cooling unit with heat exchanger) and the safety threshold at 90 °C.

For starting with $T_{oil} (= T_{ambient}) \leq 0 \text{ °C}$ the devices CT03N and CT10N must be set according to the real ambient temperature.

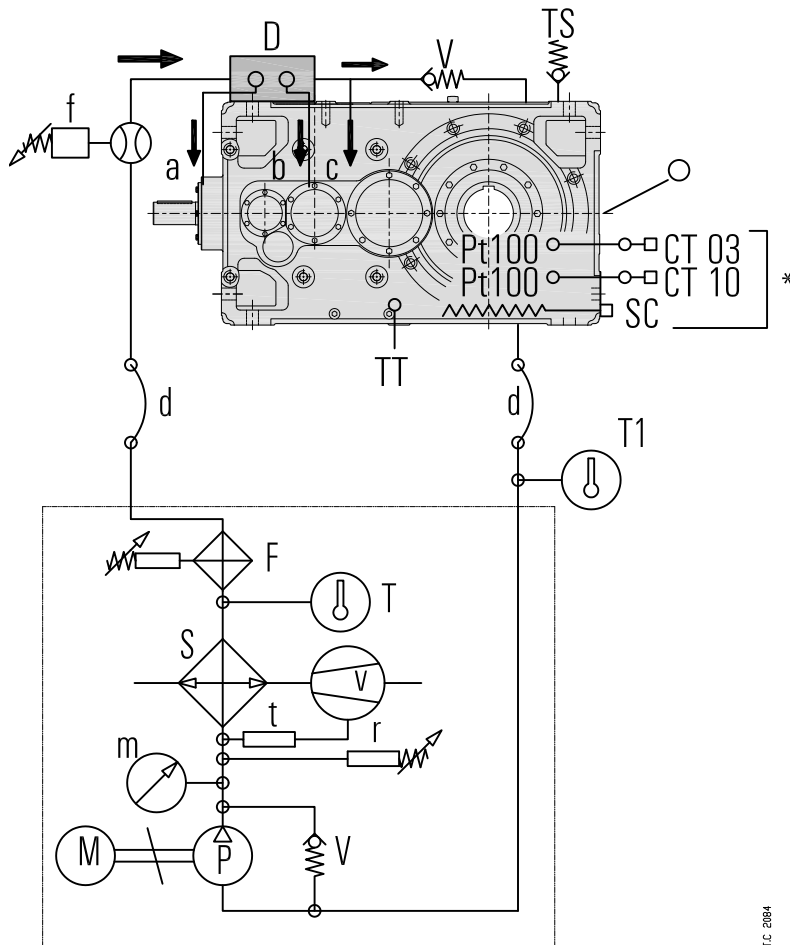


Example of forced lubrication with motor pump:

the exact position of motor pump depends on the gear reducer size, train of gears, mounting position and available dimensions: for this reason, on request, a drawing of the specific solution will be supplied; pipes are usually realized with suction and delivery flexible pipes and with rigid pipes between the flow rate and the bearings.

Bearing and/or gear pair forced lubrication with oil/air or oil/water independent cooling unit: hydraulic circuit diagram

NOTE: Bearings and/or gear pairs to be forced lubricated are defined by Rossi according to gear reducer and application.



As standard

a, b, c	Gear pair/bearing pipes
d	Flexible connection (by Customer)
m	Pressure gauge (0 ÷ 16 bar)
M	Motor pump (ch. 30(29))
P	Pump (ch. 30(29))
S	Oil/air or oil/water exchanger
v	Motor fan (UR O/A...)
t	Fan thermostat 0 ÷ 90°C (UR O/A)
T	Thermometer 0 ÷ 120 °C
V	Safety valve
r	Minimum pressure gauge
TS	Filler plug
D	Flow rate
	Approx. oil level

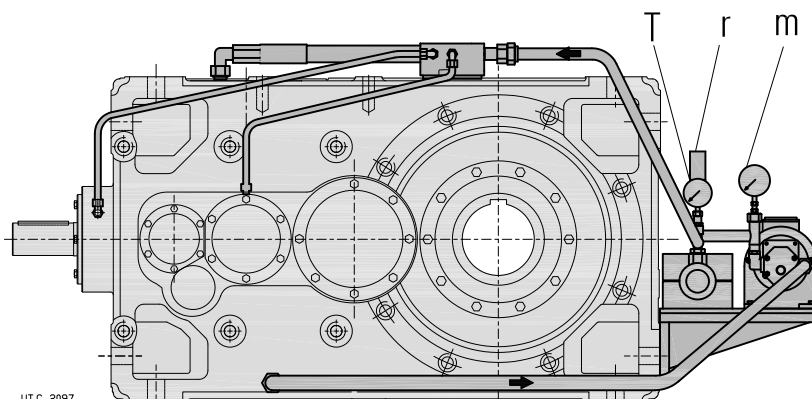
On request

Pt100*	Oil temperature probe (loose)*
f	Flow switch (loose)
F	Filter with electric blockage warning (with UR O/A... it is supplied loose)
CT03N*, CT10N*	Signalling device (loose)*
T1	Thermometer 0 ÷ 120 °C
TT	Bi-metal type thermostat
SC*	Oil heater*

UT.C. 2097

* On request, but necessary for gear reducer starting at $T_{ambiente} (= T_{oil}) \leq 25 \text{ °C}$: pre-heat the oil with the heater.

For **starting at low temperature**: s. previous page.

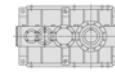


UT.C. 2097

Example of forced lubrication with cooling unit: the exact position of cooling unit depends on the gear reducer size, on train of gears, mounting position and available dimensions: for this reason, on request, a drawing of specific solution is supplied; the pipes are usually realized with suction/delivery flexible pipes and with rigid pipes between the flow rate and the bearings.

Page intentionally left blank

25 - Helical gear reducer selection tables



Train of gears	i_N	i	Gear reducer size														
			P_{N2} [kW] - n_{N2} [min ⁻¹]														
			M_{N2} [kN m]														
			$n_1 = 1\ 800$ min ⁻¹			$n_1 = 1\ 500$ min ⁻¹			$n_1 = 1\ 200$ min ⁻¹			$n_1 = 1\ 000$ min ⁻¹			$n_1 = 90$ min ⁻¹		
400	401	n_{N2}	400	401	n_{N2}	400	401	n_{N2}	400	401	n_{N2}	400	401	n_{N2}			
2I	10	9,86	1480▲ 77,3	1710▲ 89,3	180	1260	1450	150	1020	1170	118	863	994	100	86	98,4	9
	11,2	11,2	1300▲ 77,3	1500▲ 89,3	160	1110	1280	132	894	1030	106	760	875	90	75,7	86,6	8
	12,5	12,4	1200	1380	140	1020	1170	118	823	948	95	699	804	80	68,3	78,1	7,1
	14	14,1	1050	1210	132	897	1030	106	724	834	85	615	707	71	60,1	68,8	6,3
	16	16,3	888	1020	112	756	870	95	611	702	75	519	596	63	50,7	57,9	5,6
	18	17,6	835	960	100	711	816	85	574	659	67	487	559	56	46,7	53,4	5
	20	20,3	724	833	90	617	709	75	498	572	60	423	485	50	40,6	46,3	4,5
	22,4	22,5*	617	711	80	525	605	67	424	489	53	360	415	45	34,6	39,8	4
			73,7	84,9		75,3	86,7		76	87,6		77,4	89,2		82,5	95	
3I	25	25,2	626	720	71	533	612	60	430	493	47,5	365	418	40	33,6	38,5	3,55
	28	28,7	551	633	63	469	538	53	378	434	42,5	321	368	35,5	29,6	33,9	3,15
	31,5	31,6	509	585	56	433	497	47,5	350	401	37,5	297	339	31,5	26,9	30,8	2,8
	35,5	35,9	448	515	50	381	437	42,5	308	353	33,5	261	299	28	23,6	27,1	2,5
	40	41,3	378	433	45	322	368	37,5	260	297	30	220	252	25	19,9	22,8	2,24
	45	45,2	353	404	40	300	343	33,5	242	276	26,5	203	232	22,4	18,3	20,9	2
	50	52,1	306	350	35,5	260	297	30	210	240	23,6	176	201	20	15,8	18,1	1,8
	56	57,4	283	323	31,5	239	274	26,5	192	219	21,2	160	182	18	14,4	16,4	1,6
	63	66,2	245	281	28	208	237	23,6	166	190	19	139	158	16	12,5	14,2	1,4
	71	70,6	234	267	25	195	223	21,2	156	178	17	130	148	14	11,7	13,4	1,25
	80	81,3	203	232	22,4	169	193	19	135	154	15	113	129	12,5	10,1	11,6	1,12
	90	88,2	187	214	20	156	178	17	125	142	13,2	104	119	11,2	9,35	10,7	1
100	102	162	185	18	135	154	15	108	124	11,8	90,1	103	10	8,11	9,27	0,9	
			87,5	100		87,5	100		87,5	100		87,5	100		87,5	100	
4I	125	125	135	155	14	113	129	11,8	90,1	103	9,5	75,1	85,9	8	6,76	7,74	0,71
	160	159	106	122	11,2	88,6	101	9,5	70,9	81,2	7,5	59,1	67,6	6,3	5,32	6,09	0,56
	200	191	88,8	102	9	74	84,6	7,5	59,2	67,7	6	49,3	56,4	5	4,44	5,08	0,45
	250	243	69,8	79,9	7,1	58,2	66,6	6	46,6	53,3	4,75	38,8	44,4	4	3,49	4	0,355
	315	299	56,8	65	5,6	47,3	54,2	4,75	37,9	43,3	3,75	31,6	36,1	3,15	2,84	3,25	0,28
			90	103		90	103		90	103		90	103		90	103	

▲ Necessary forced lubrication with motor pump and possible heat exchanger (see ch. 6 and ch. 12).

* Finite transmission ratio.

26 - Dimensions, designs, mounting positions of helical gear reducers

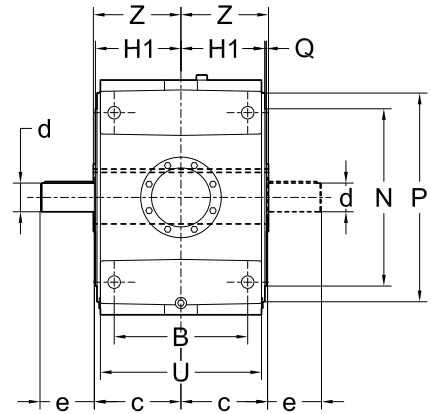
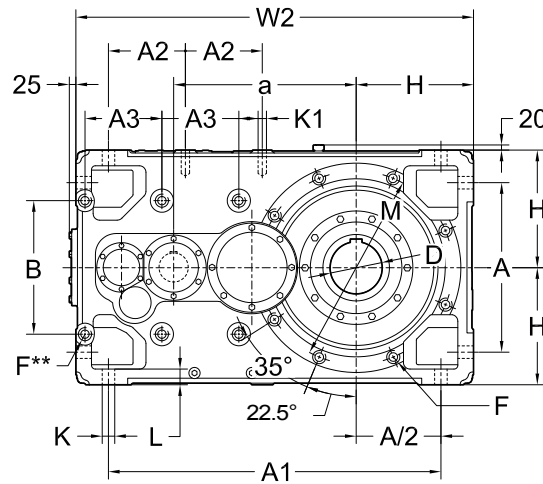
26.1 - R 2I gear reducers	
Dimensions	402
Designs (direction of rotation)	402
Mounting positions, plug position, oil quantity	403
26.2 - R 3I gear reducers	
Dimensions	404
Designs (direction of rotation)	404
Mounting positions, plug position, oil quantity	405
26.3 - R 4I gear reducers	
Dimensions	406
Designs (direction of rotation)	406
Mounting positions, plug position, oil quantity	407

26.1 - R 2I gear reducers

Dimensions



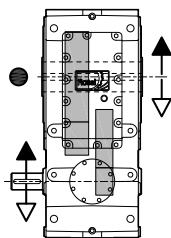
UT.C 024



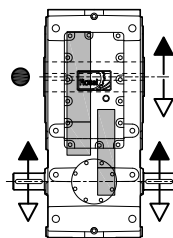
UT.C 025

Size	a	A	A ₁	A ₂	A ₃	B	c	D	d	e	F	H	H ₁	K	K ₁	L	M	N	P	Q	U	W ₂	Z	kg
								∅ H7	∅ m6		1)	h11		∅	1)			h6				2)		
400, 401	700	650	1275	295	295	512	330	200	$i_n \leq 11,2$ 110 210	M36	450	322	48	M36	65	740	680	800	6	618	1525	330	2250	
									$i_n \geq 12,5$ 90 170															

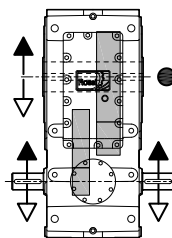
Designs (direction of rotation)



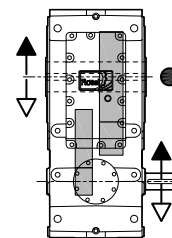
UP2A



UP2D



UP2M



UP2L

UT.C 026

** Machined surface and No. 6 threaded holes (on opposite side not in view as well).

1) Working length of thread $1,7 \cdot F$.

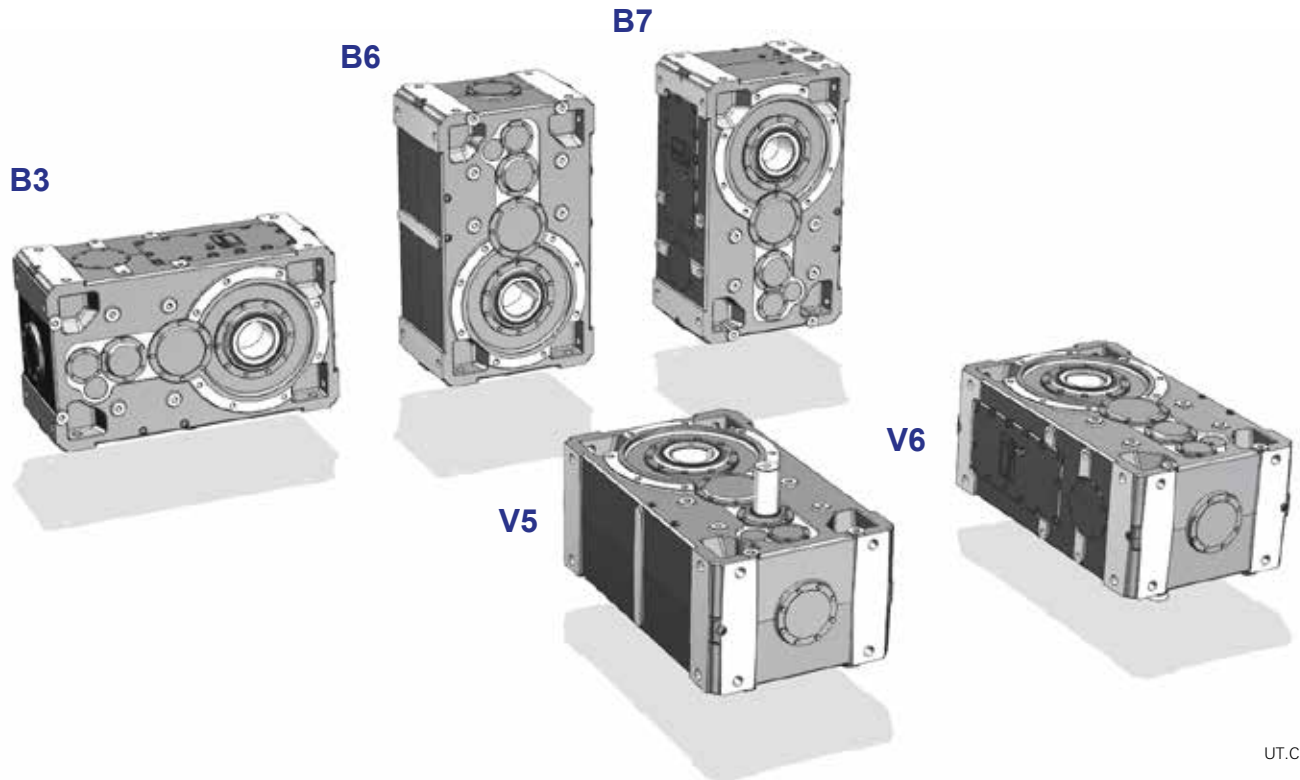
2) For mounting positions B6, B7, V5, V6, dimension **W₂** increases by 20 for overall dimensions of filler plug.

● Position of the low speed wheel for radial load verification.

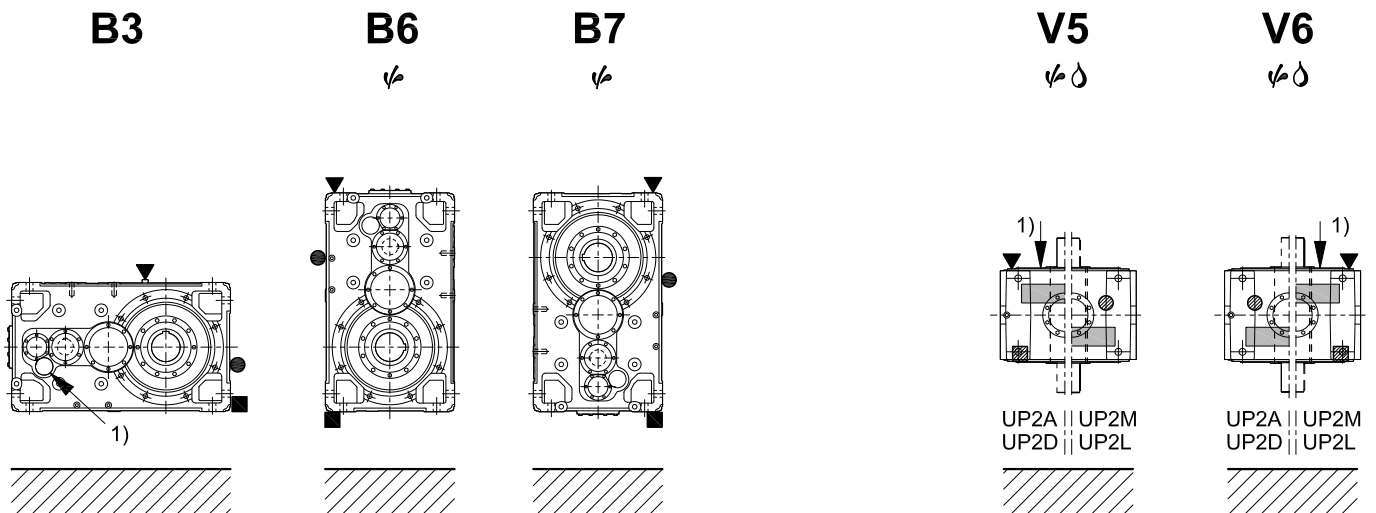
Dimensions, designs, mounting positions of helical gear reducers 26

26.1 - R 2l gear reducers

Mounting positions, plug position, oil quantity



UT.C 027



UT.C 028

Size	Oil quantity [l]				
	B3	B6	B7	V5, V6	
				with low speed shaft below	with upper low speed wheel
400, 401	180	230	224	315	325

⚠ Possible high oil splash: for the corrective factor f_{ts} of nominal thermal power P_{Tn} see ch. 22.

🔧 Possible bearing lubrication pump: consult us if need be.

1) Position of intermediate shaft for the mounting position identification; for mounting positions V5 and V6 it is possible to use the **position of low speed wheel** (s. also «Designs» on previous page).

- ▼ Oil filler plug
- Oil level plug
- Oil drain plug

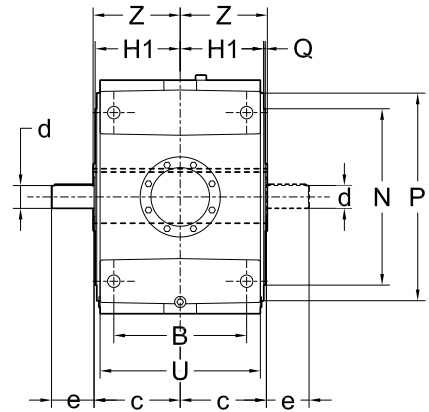
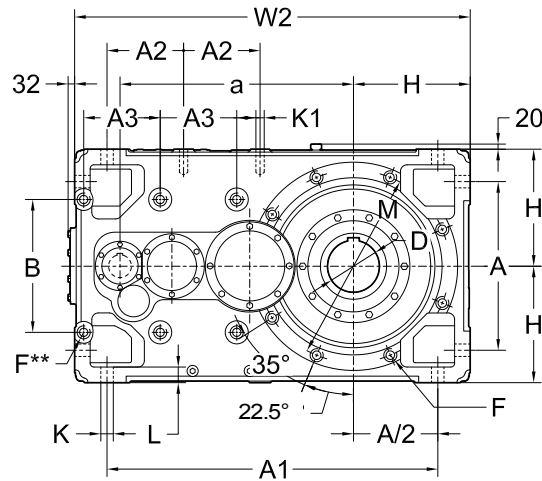
- ▼ Oil filler plug on opposite side (not in view)
- Oil level plug on opposite side (not in view)
- Oil drain plug on opposite side (not in view)

26.2 - R 3I gear reducers

Dimensions



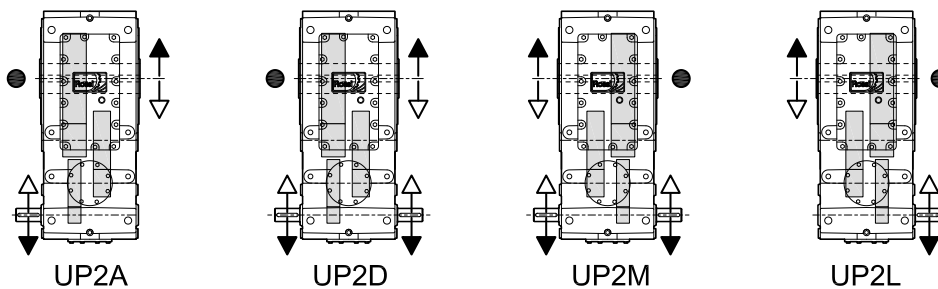
UT.C 029



UT.C 030

Size	a	A	A ₁	A ₂	A ₃	B	c	D	d	e	F	H	H ₁	K	K ₁	L	M	N	P	Q	U	W ₂	Z	kg
								∅ H7	∅ m6		1)	h11		∅	1)			h6				2)		
400, 401	900	650	1275	295	295	512	325	200	$i_N \leq 50$ 80 $i_N \geq 56$ 65	170 140	M36	450	322	48	M36	65	740	680	800	6	618	1525	330	2300

Designs (direction of rotation)



UT.C 031

** Machined surface and No. 6 threaded holes (on opposite side not in view as well).

1) Working length of thread $1,7 \cdot F$.

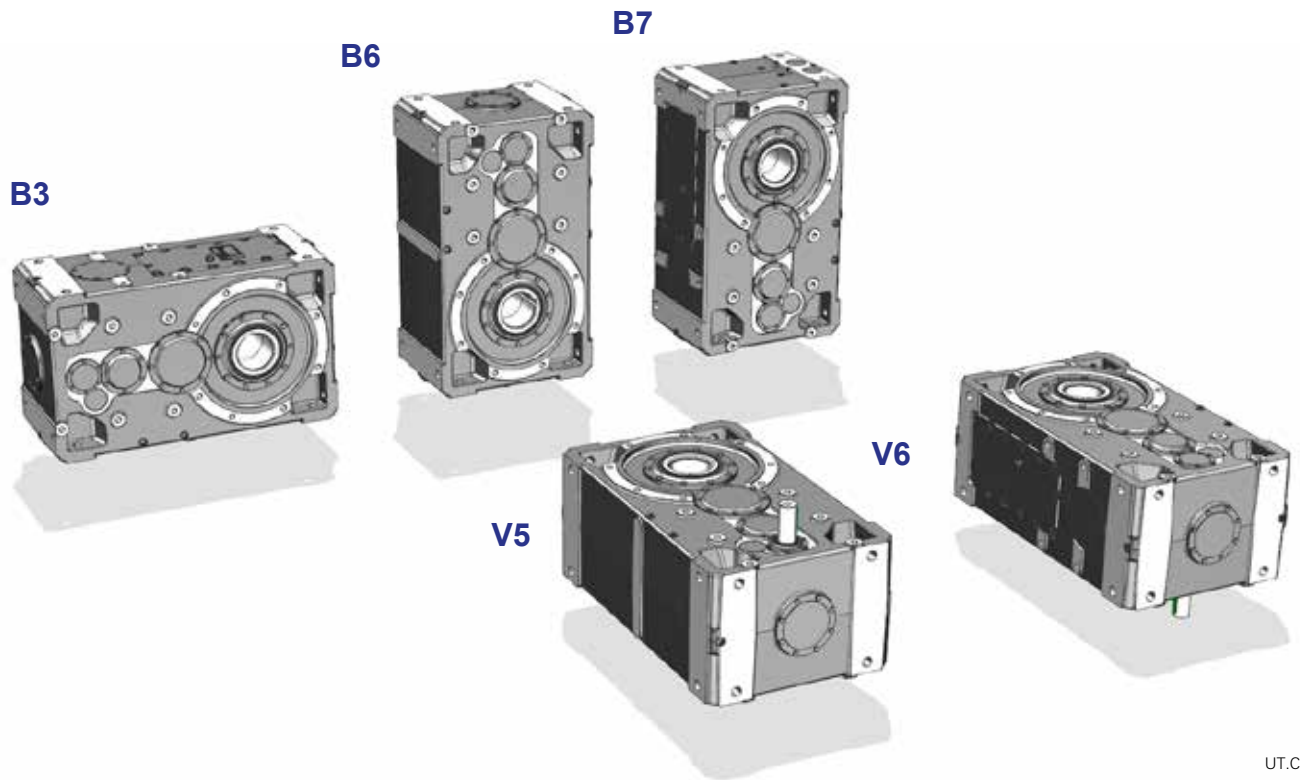
2) For mounting positions B6, B7, V5, V6, dimension W_2 increases by 20 for overall dimensions of filler plug.

● Position of the low speed wheel for radial load verification.

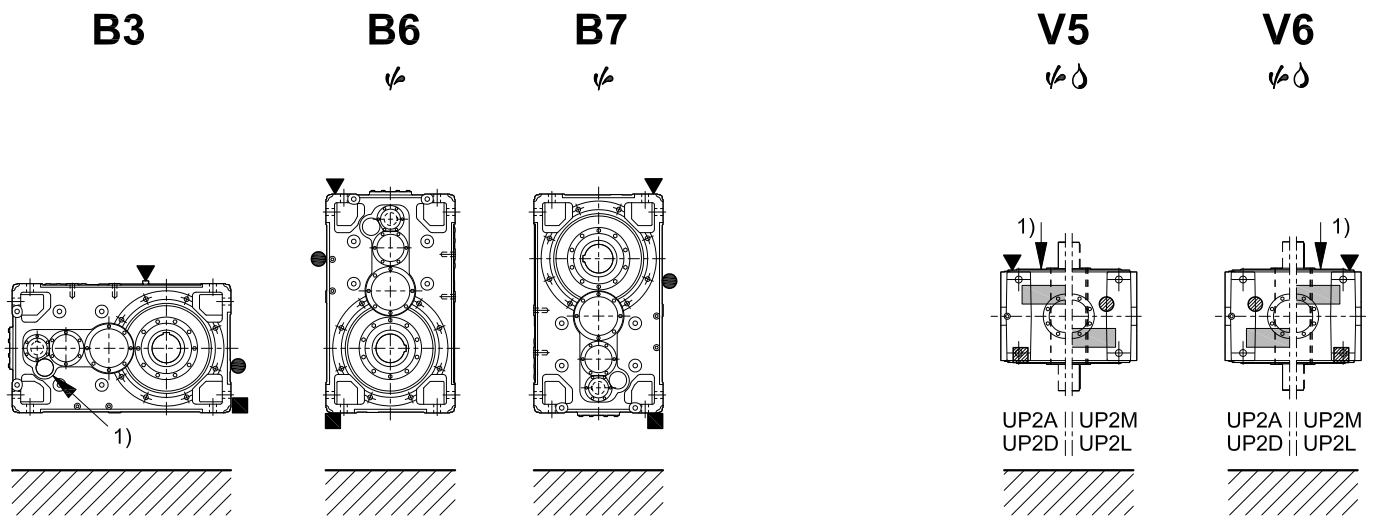
Dimensions, designs, mounting positions of helical gear reducers 26

26.2 - Gear reducers R 3l

Mounting positions, plug position, oil quantity



UT.C 032



UT.C 033

Size	Oil quantity [l]				
	B3	B6	B7	V5, V6	
				with low speed shaft below	with upper low speed wheel
400, 401	180	230	224	315	325

▽ Possible high oil splash: for the corrective factor f_{ts} of nominal thermal power P_{Tn} see ch. 22.

⚙ Possible bearing lubrication pump: consult us if need be.

1) Position of intermediate shaft for the mounting position identification; for mounting positions V5 and V6 it is possible to use the **position of low speed wheel** (s. also «Designs» on previous page).

- ▽ Oil filler plug
- Oil level plug
- Oil drain plug

- ▽ Oil filler plug on opposite side (not in view)
- ⊠ Oil level plug on opposite side (not in view)
- ⊙ Oil drain plug on opposite side (not in view)

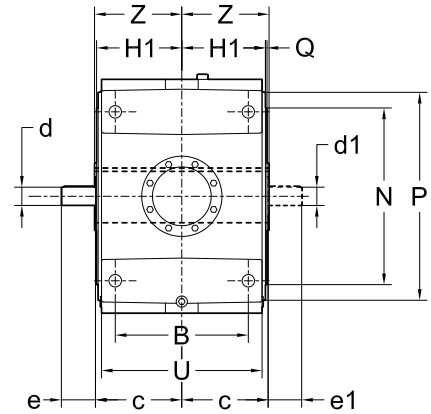
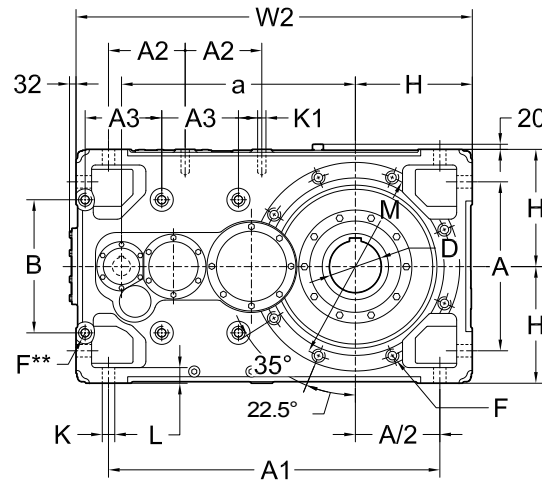
Dimensions, designs, mounting positions of helical gear reducers 26

26.3 - R 4l gear reducers

Dimensions



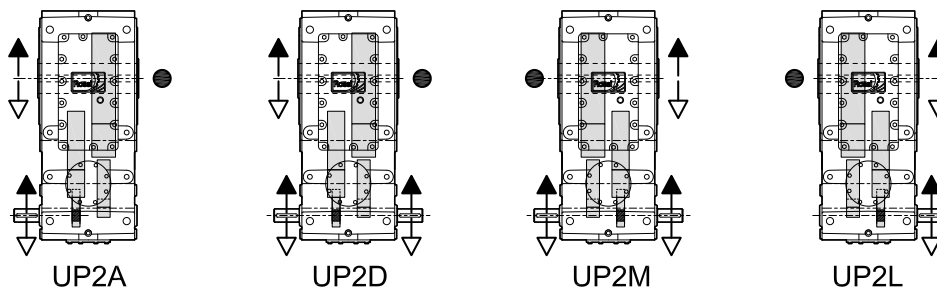
UT.C 034



UT.C 035

Size	a	A	A ₁	A ₂	A ₃	B	c	D	d	e	d ₁	e ₁	F	H	H ₁	K	K ₁	L	M	N	P	Q	U	W ₂	Z	kg
								∅ H7	∅ m6		∅ m6		1)	h11		∅	1)			h6				2)		
400, 401	900	650	1275	295	295	512	325	200	55 110 48 110		48	110	M36	450	322	48	M36	65	740	680	800	6	618	1525	330	2280

Designs (direction of rotation)



UT.C 036

** Machined surface and No. 6 threaded holes (on opposite side not in view as well).

1) Working length of thread $1,7 \cdot F$.

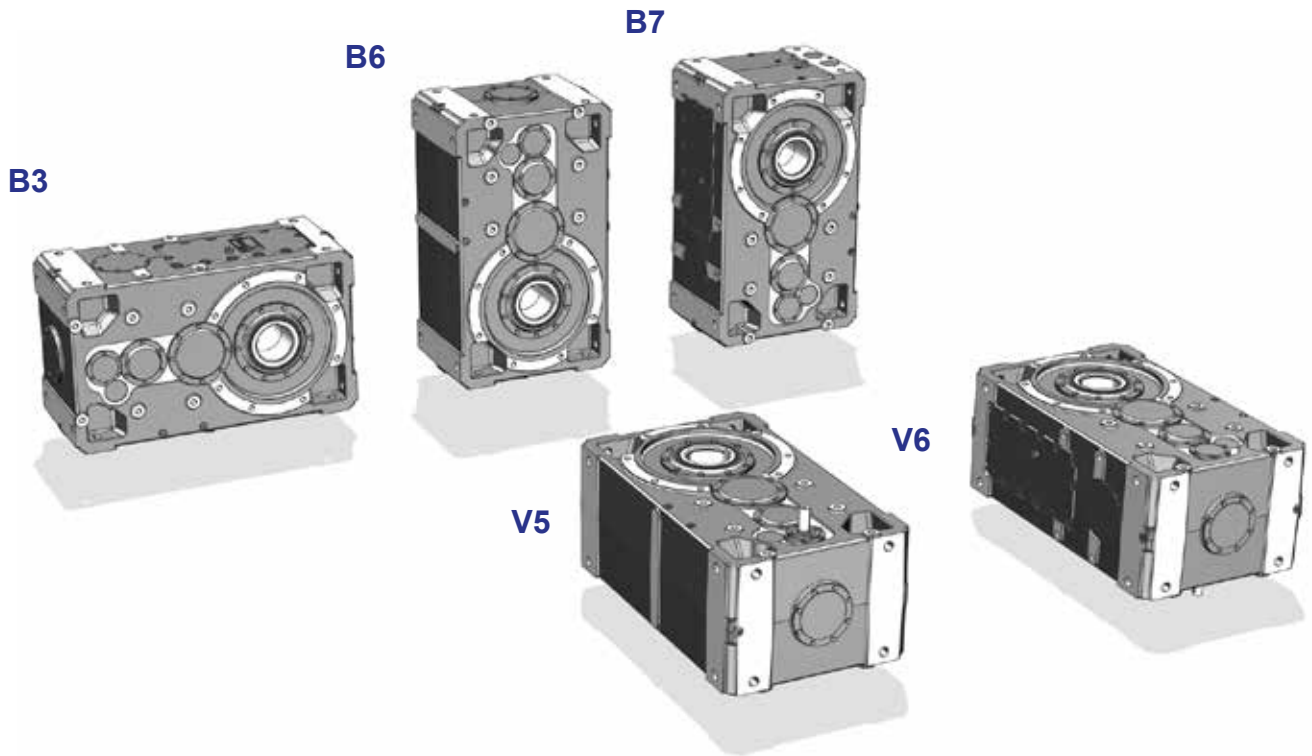
2) For mounting positions B6, B7, V5, V6, dimension W_2 increases by 20 for overall dimensions of filler plug.

● Position of the low speed wheel for radial load verification.

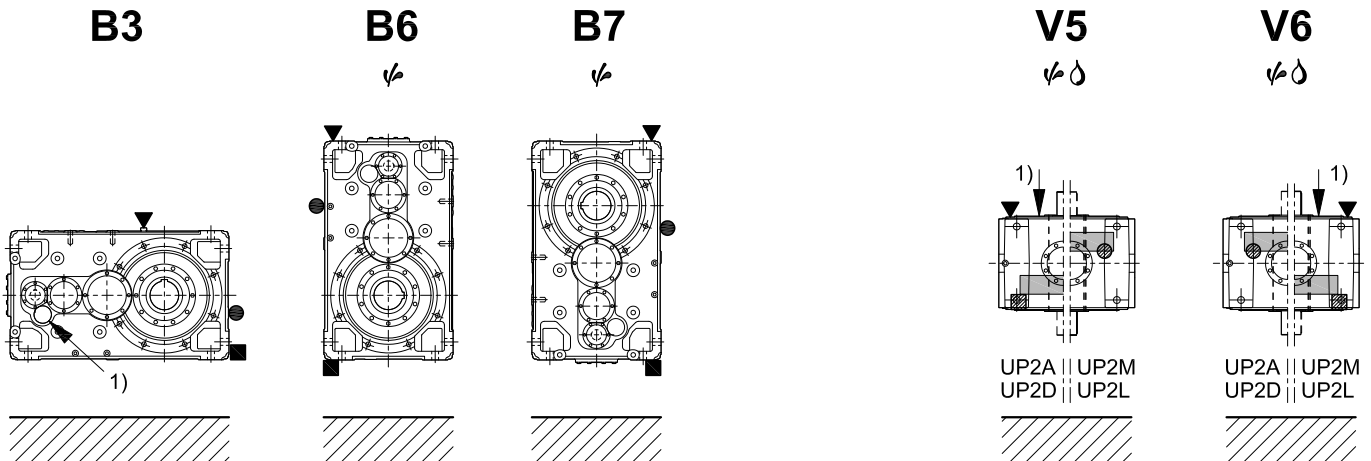
Dimensions, designs, mounting positions of helical gear reducers 26

26.3 - Gear reducers R 4l

Mounting positions, plug position, oil quantity



UT.C 037



UT.C 038

Size	Oil quantity [l]				
	B3	B6	B7	V5, V6	
				with low speed shaft below	with upper low speed wheel
400, 401	180	230	224	315	325

▽ Possible high oil splash: for the corrective factor f_{ts} of nominal thermal power P_{tN} see ch. 22.

🔧 Possible bearing lubrication pump: consult us if need be.

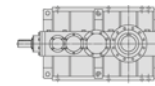
1) Position of intermediate shaft for the mounting position identification; for mounting positions V5 and V6 it is possible to use the **position of low speed wheel** (s. also «Designs» on previous page).

- ▽ Oil filler plug
- Oil level plug
- Oil drain plug

- ▽ Oil filler plug on opposite side (not in view)
- Oil level plug on opposite side (not in view)
- Oil drain plug on opposite side (not in view)

Page intentionally left blank

27 - Bevel helical gear reducer selection tables



Train of gears	i_N	i	Gear reducer size														
			P_{N2} [kW] - n_{N2} [min ⁻¹] M_{N2} [kN m]														
			$n_1 = 1\ 800$ min ⁻¹			$n_1 = 1\ 500$ min ⁻¹			$n_1 = 1\ 200$ min ⁻¹			$n_1 = 1\ 000$ min ⁻¹			$n_1 = 90$ min ⁻¹		
400	401	n_{N2}	400	401	n_{N2}	400	401	n_{N2}	400	401	n_{N2}	400	401	n_{N2}			
C2I	20	19,7	784▲ 82,1	902▲ 94,4	90	667▲ 83,8	767▲ 96,3	75	539 84,6	619 97,2	60	457 86,1	525 98,8	50	43 90	49,2 103	4,5
	22,4	22,4	690▲ 82,1	794▲ 94,4	80	587▲ 83,8	675▲ 96,3	67	474 84,6	544 97,2	53	402 86,1	462 98,8	45	37,8 90	43,3 103	4
	25	25,8	582▲ 79,8	669▲ 91,6	71	495▲ 81,5	568▲ 93,5	60	400 82,2	459 94,3	47,5	339 83,7	389 95,9	40	31,9 87,5	36,5 100	3,55
	28	28	547▲ 81,3	627▲ 93,3	63	465 83	533 95,1	53	375 83,7	430 95,9	42,5	318 85,2	364 97,6	35,5	29,4 87,5	33,6 100	3,15
	31,5	32,3	474▲ 81,3	544▲ 93,3	56	404 83	463 95,1	47,5	326 83,7	373 95,9	37,5	276 85,2	316 97,6	31,5	25,5 87,5	29,2 100	2,8
	35,5	35,3	442▲ 82,8	507▲ 94,9	50	376 84,5	431 96,8	42,5	304 85,3	347 97,6	33,5	257 86,8	294 99,2	28	23,4 87,5	26,7 100	2,5
	40	40,7	384▲ 82,8	440▲ 94,9	45	326 84,5	374 96,8	37,5	264 85,3	302 97,6	30	223 86,8	256 99,2	25	20,3 87,5	23,2 100	2,24
	45	44,5	357 84,4	409 96,6	40	304 86,1	347 98,5	33,5	245 86,9	280 99,3	26,5	206 87,5	235 100	22,4	18,5 87,5	21,2 100	2
	50	51,3	310 84,4	355 96,6	35,5	264 86,1	301 98,5	30	213 86,9	243 99,3	23,6	179 87,5	204 100	20	16,1 87,5	18,4 100	1,8
	56	56,5	287 86	328 98,4	31,5	243 87,5	278 100	26,5	195 87,5	223 100	21,2	162 87,5	185 100	18	14,6 87,5	16,7 100	1,6
	63	65,1	249 86	285 98,4	28	211 87,5	241 100	23,6	169 87,5	193 100	19	141 87,5	161 100	16	12,7 87,5	14,5 100	1,4
	71	70,6	234 87,5	267 100	25	195 87,5	223 100	21,2	156 87,5	178 100	17	130 87,5	148 100	14	11,7 87,5	13,4 100	1,25
	80	81,3	203 87,5	232 100	22,4	169 87,5	193 100	19	135 87,5	154 100	15	113 87,5	129 100	12,5	10,1 87,5	11,6 100	1,12
	90	88,2	187 87,5	214 100	20	156 87,5	178 100	17	125 87,5	142 100	13,2	104 87,5	119 100	11,2	9,35 87,5	10,7 100	1
100	102	162 87,5	185 100	18	135 87,5	154 100	15	108 87,5	124 100	11,8	90,1 87,5	103 100	10	8,11 87,5	9,27 100	0,9	
C3I	125	130	127 87,5	145 100	14	106 87,5	121 100	11,8	84,5 87,5	96,6 100	9,5	70,4 87,5	80,5 100	8	6,34 87,5	7,24 100	0,71
	160	164	100 87,5	115 100	11,2	83,7 87,5	95,7 100	9,5	67 87,5	76,5 100	7,5	55,8 87,5	63,8 100	6,3	5,02 87,5	5,74 100	0,56
	200	209	79 87,5	90,3 100	9	65,9 87,5	75,3 100	7,5	52,7 87,5	60,2 100	6	43,9 87,5	50,2 100	5	3,95 87,5	4,52 100	0,45
	250	265	62,3 87,5	71,2 100	7,1	51,9 87,5	59,4 100	6	41,6 87,5	47,5 100	4,75	34,6 87,5	39,6 100	4	3,12 87,5	3,56 100	0,355
	315	325	50,7 87,5	57,9 100	5,6	42,2 87,5	48,3 100	4,75	33,8 87,5	38,6 100	3,75	28,2 87,5	32,2 100	3,15	2,53 87,5	2,9 100	0,28

▲ Necessary forced lubrication with motor pump and possible heat exchanger (see ch. 24 and ch. 30).

28 - Dimensions, designs, mounting positions of bevel helical gear reducers

28.1 - R C2I gear reducers

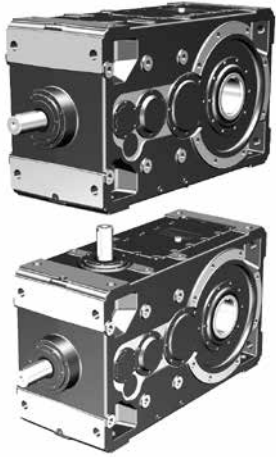
Dimensions	412
Designs (direction of rotation)	412
Mounting positions, plug position, oil quantity	413

28.2 - R C3I gear reducers

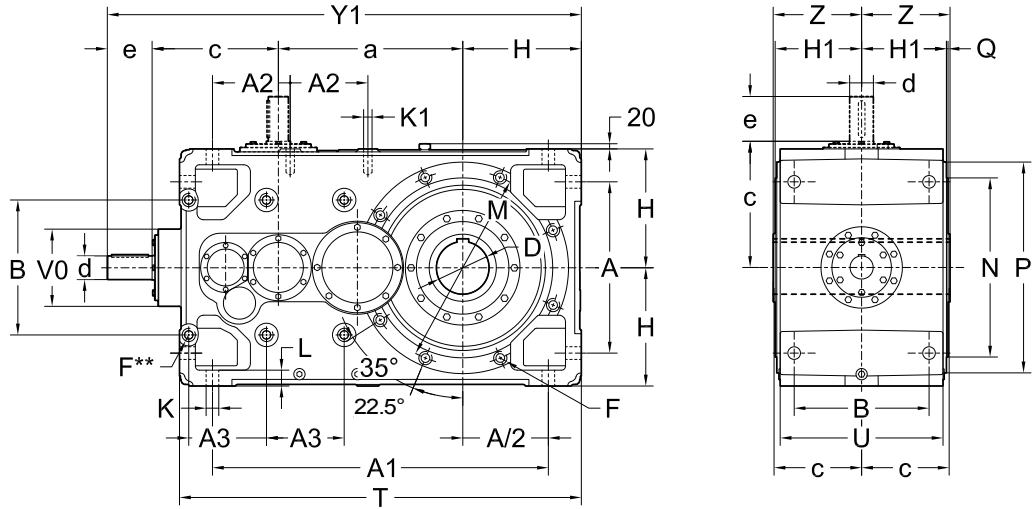
Dimensions	414
Designs (direction of rotation)	414
Mounting positions, plug position, oil quantity	415

28.1 - R C2I gear reducers

Dimensions



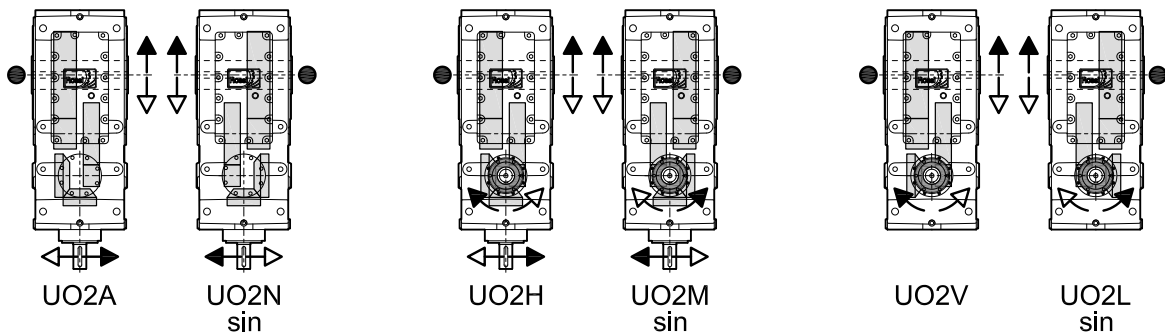
UT.C 040



UT.C 041

Size	a	A	A ₁	A ₂	A ₃	B	c	D	d	e	Y ₁	F	H	H ₁	K	K ₁	L	M	N	P	Q	T	U	V ₀	Z	kg	
400, 401	700	650	1275	295	295	512	480	200	<i>i_N ≤ 40</i>			M36	450	322	48	M36	65	740	680	800	6	1525	618	293	330	2470	
									<i>i_N ≥ 45</i>																		
								∅ H7	∅ m6		2)	1)	h11		∅	1)			h6			2)					

Designs (direction of rotation)



UT.C 042

** Machined surface and No. 6 threaded holes (on opposite side not in view as well).

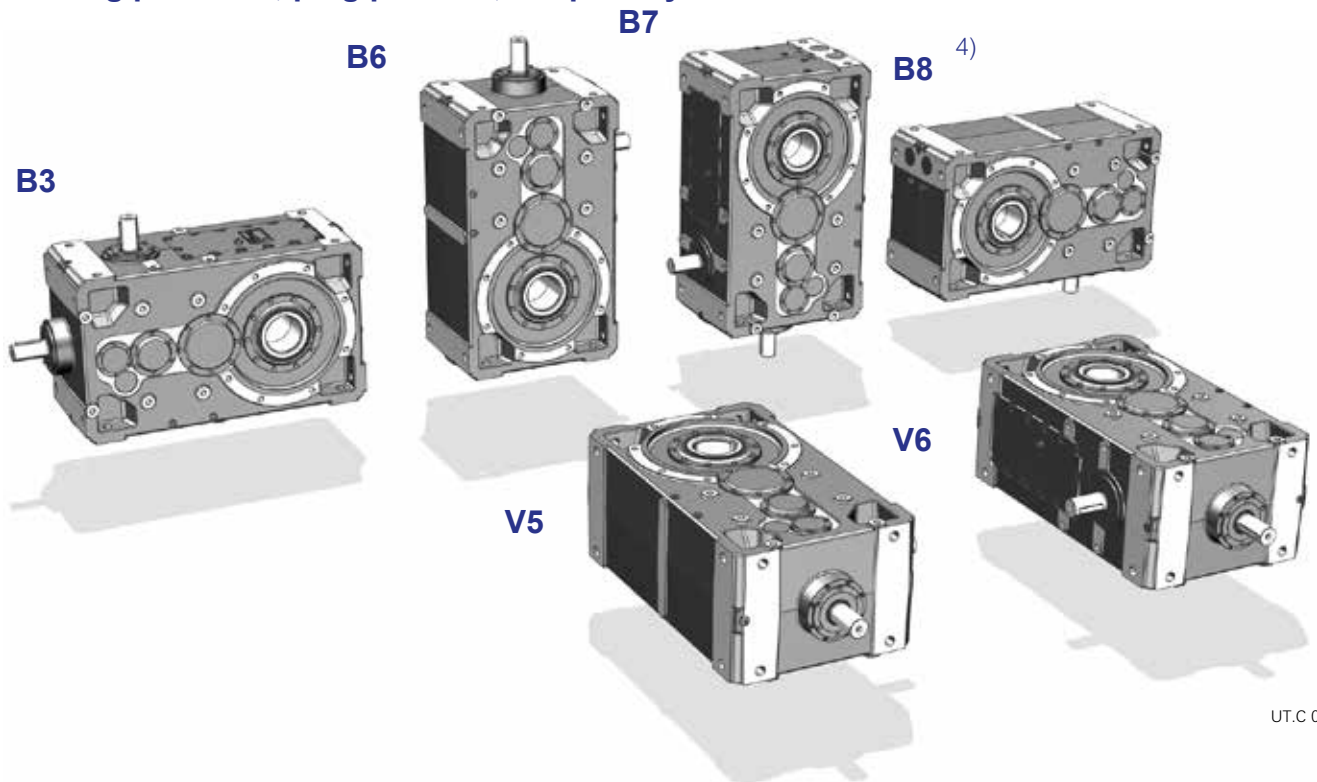
1) Working length of thread $1,7 \cdot F$.

2) For mounting positions B6, B7, V5, V6 dimension Y_1 and T increase by 20 for overall dimensions of filler plug.

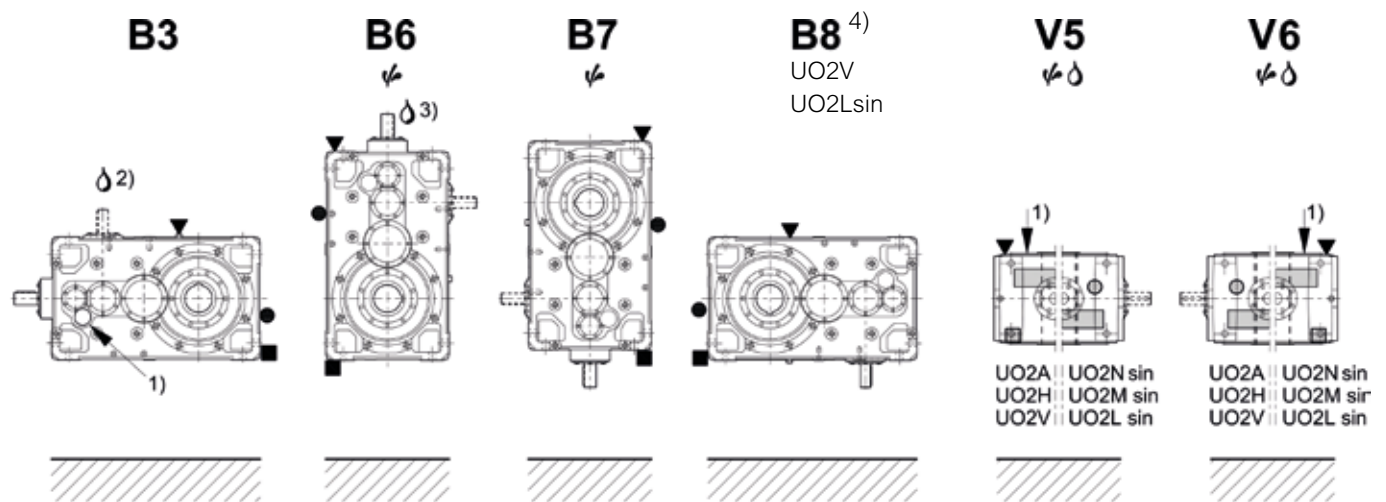
• Position of the low speed wheel for radial load verification.

28.1 - R C2I gear reducers

Mounting positions, plug position, oil quantity



UT.C 043



UT.C 044

Size	Oil quantity [l]					
	B3	B6	B7	B8	V5, V6	
					bottom low speed wheel	upper low speed wheel
400, 401	180	230	224	180	315	325

☞ Possible high oil splash: for the corrective factor f_{ts} of nominal thermal power P_{Tn} see ch. 22.

☞ Possible bearing lubrication pump: consult us if need be.

1) Position of intermediate shaft for the mounting position identification; for mounting positions V5 and V6 it is possible to use the **position of low speed wheel** (s. also «Designs» on previous page).

2) ☞ for designs UO2H, UO2M sin, UO2V, UO2L sin.

3) ☞ for designs UO2A, UO2N sin, UO2H, UO2M sin.

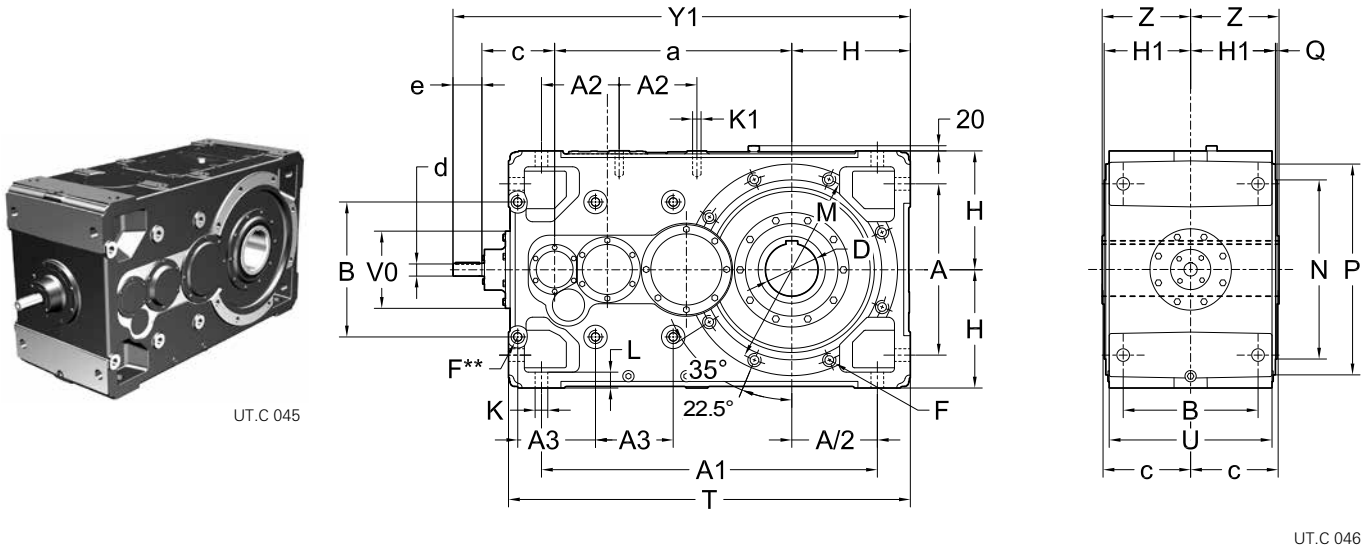
4) Mounting position B8 available only for designs UO2V, UO2Lsin.

- ▼ Oil filler plug
- Oil level plug
- Oil drain plug

- ▽ Oil filler plug on opposite side (not in view)
- ◻ Oil level plug on opposite side (not in view)
- Oil drain plug on opposite side (not in view)

28.2 - R C3I gear reducers

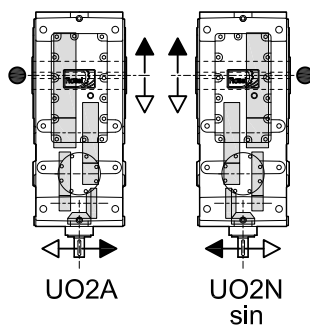
Dimensions



UT.C 046

Size	a	A	A ₁	A ₂	A ₃	B	c	D	d	e	Y ₁	F	H	H ₁	K	K ₁	L	M	N	P	Q	T	U	V ₀	Z	kg	
								Ø H7	Ø m6		2)	1)	h11		Ø	1)			h6			2)					
400, 401	900	650	1275	295	295	512	282	200	<i>i_N</i> ≤ 200			M36	450	322	48	M36	65	740	680	800	6	1525	618	293	330	2520	
									<i>i_N</i> ≥ 250																		
									38	80	1712																

Designs (direction of rotation)



UT.C 047

** Machined surface and No. 6 threaded holes (on opposite side not in view as well).

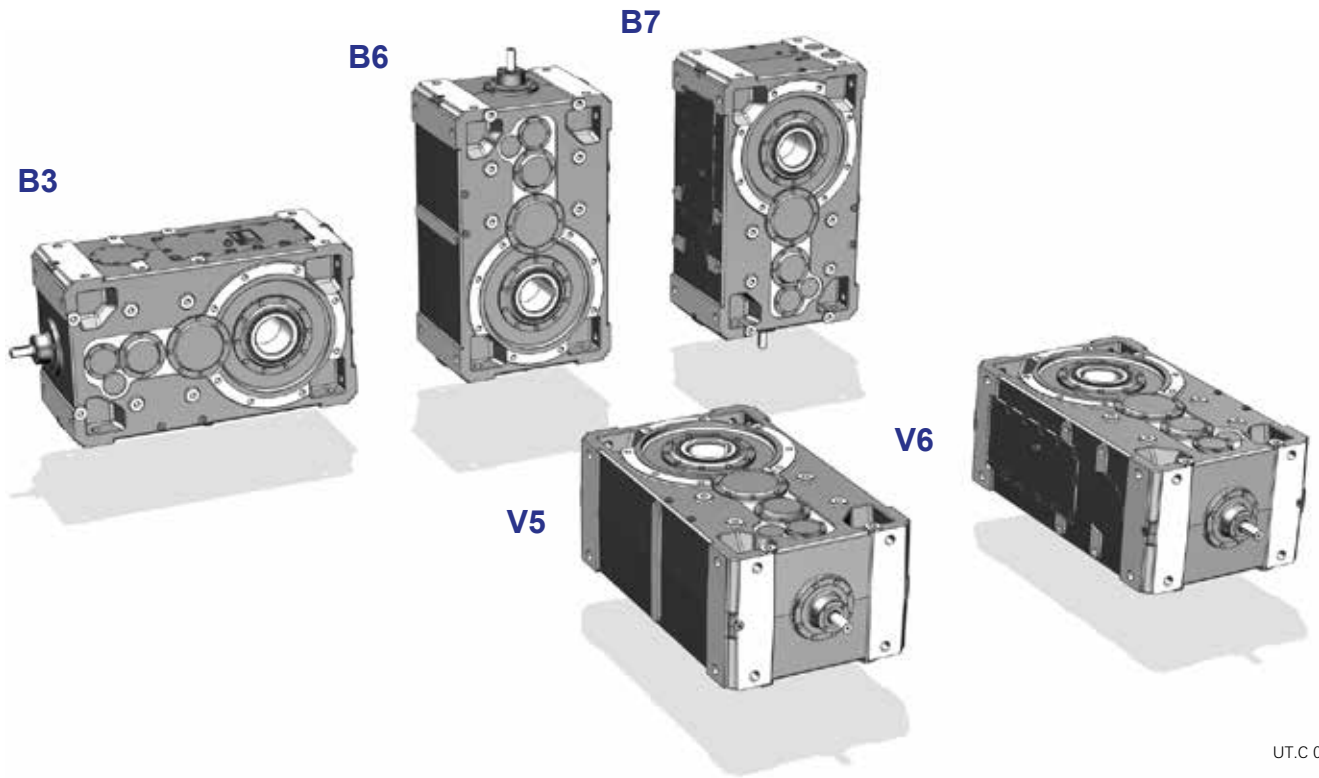
1) Working length of thread $1,7 \cdot F$.

2) For mounting positions B6, B7, V5, V6 dimension Y_1 and T increase by 20 for overall dimensions of filler plug.

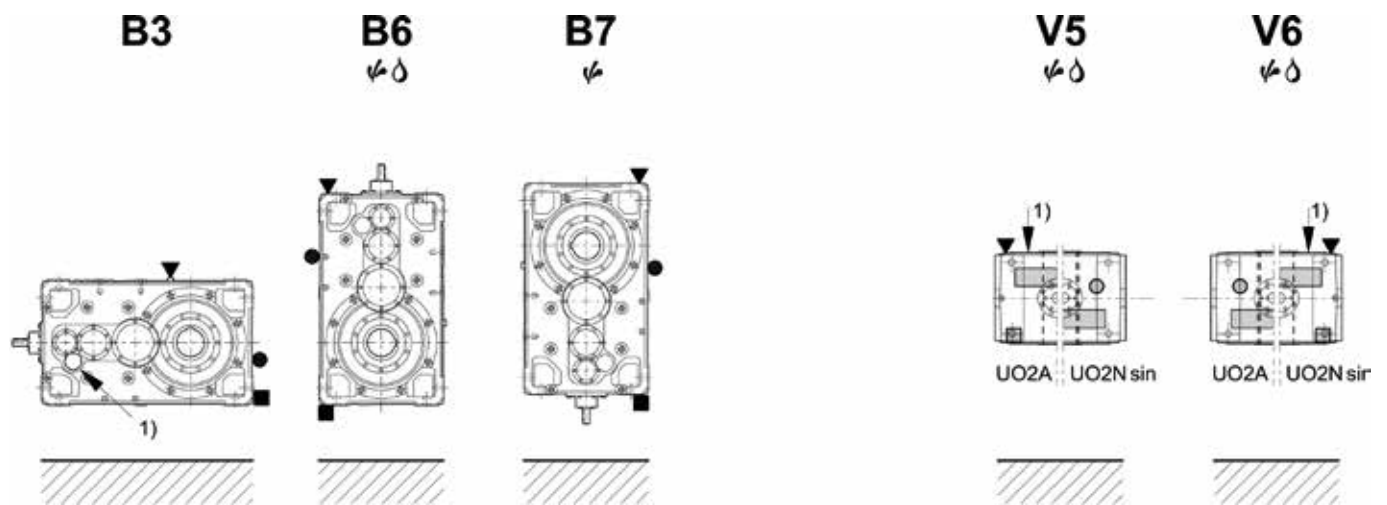
• Position of the low speed wheel for radial load verification.

28.2 - R C3I gear reducers

Mounting positions, plug position, oil quantity



UT.C 048



UT.C 049

Size	Oil quantity [l]					
	B3	B6	B7	B8	V5, V6	
					bottom low speed wheel	upper low speed wheel
400, 401	180	230	224	180	315	325

▽ Possible high oil splash: for the corrective factor f_{t3} of nominal thermal power P_{tN} see ch. 22.

⚙ Possible bearing lubrication pump: consult us if need be.

1) Position of intermediate shaft for the mounting position identification; for mounting positions V5 and V6 it is possible to use the **position of low speed wheel** (s. also «Designs» on previous page).

- ▽ Oil filler plug
- Oil level plug
- Oil drain plug

- ▽ Oil filler plug on opposite side (not in view)
- Oil level plug on opposite side (not in view)
- Oil drain plug on opposite side (not in view)

Page intentionally left blank

29 - Radial loads

29.1 - Radial loads F_{r1} [kN] on high speed shaft

Radial loads generated on the shaft end by a drive connecting gear reducer and motor must be less than or equal to those given in the relevant table.

n_1	F_{r1} [kN]		
	2I	3I, C2I	4I, C3I
min ⁻¹			
1 800	20	12,5	5
1 500	21,2	13,2	5,3
1 200	22,4	14	5,6
1 000	23,6	15	6
710	26,5	17	6,7
560	28	18	7,1
450	30	19	7,5
355	33,5	21,2	8,5
F_{r1max}	33,5	21,2	8,5

The radial load F_{r1} given by the following formula refers to most common drives:

$$F_{r1} = \frac{28,65 \cdot P_1}{d \cdot n_1} \text{ [kN]} \quad \text{for timing belt drive}$$

$$F_{r1} = \frac{47,75 \cdot P_1}{d \cdot n_1} \text{ [kN]} \quad \text{for V-belt drive}$$

where:

P_1 [kW] is the power required at the input side of gear reducer;

n_1 [min⁻¹] is the angular velocity of gear reducer

d [m] is the pitch diameter of pulley keyed on gear reducer high speed shaft

Radial loads given in the table are valid for overhung loads on centre line of high speed shaft end, i.e. operating at a distance of $0,5 \cdot e$ (e = shaft end length) from the shoulder. If radial loads are in a different position, i.e. at a distance differing from $0,5 e$ from shoulder, multiply the admissible radial load value by 1,25 (without exceeding the maximum value F_{r1max} , stated in the table) if acting at $0,315 \cdot e$; by 0,8 if acting at $0,8 \cdot e$.

It is always advisable **to mount the pulley against the shaft shoulder** and in any case to avoid that the pulley exceeds the shaft end.

An **axial load** of up to 0,2 times the value in the table is permissible, simultaneously with the radial load.

In absence of the radial load, an axial load may be acting on center line, not higher than 0,5 times the stated radial load.

IMPORTANT: tabulated values for radial load F_{r1} can increase considerably in certain instances (direction of rotation, angular position of load, etc.). If necessary and/or in presence of **misaligned** axial loads, consult us.

29.1 - Radial loads F_{r1} [kN] on high speed shaft end

V-belt drives

See the table for the driving pulleys advised for the various powers and motor polarities and the radial loads resulting on motor and gear reducer shaft ends.

The transmissions have been calculated with a service factor $\geq 1,4$; replace section SPA with SPB, section SPB with SPC, section SPC with 8V, in order to increase the service factor with the same d and belt number.

The radial loads have been calculated according to the formula: $(47\ 750 \cdot P_1) / (d \cdot n_1)$.

The radial load F_{r1} , referring to the selected motor pulley, must be lower than or equal to the one admitted by gear reducer.

IMPORTANT. For the good running of drive and in order not to overload motor and gear reducer bearings, reduce the overhung to a minimum and do not stress belts excessively. Pulleys with $d \geq 400$ must be dynamically balanced.

Motor		Motor pulley: belt number and section, pitch diameter d [mm], radial load F_{r1} [N]															
P_1	Size and pole number	d		F_{r1}		d		F_{r1}		d		F_{r1}		d		F_{r1}	
kW																	
1,1	80B	2	2 Z	71	265	2 Z	80	236	2 Z	90	212	1 Z	100	190	1 Z	112	170
	90S	4	2 A	90	425	2 A	100	375	2 A	112	335	1 A	125	300	1 A	140	265
	90L	6	2 A	90	670	2 A	100	600	2 A	112	530	2 A	125	475	1 A	140	425
1,5	90S	2	2 A	90	280	2 A	100	250	1 A	112	224	1 A	125	200	1 A	140	180
	90L	4	2 A	90	560	2 A	100	500	2 A	112	450	2 A	125	400	1 A	140	355
	100LA	6	3 A	90	900	3 A	100	800	2 A	112	710	2 A	125	630	2 A	140	560
2,2	90LA	2	2 A	90	425	2 A	100	375	2 A	112	335	2 A	125	300	1 A	140	265
	100LA	4	3 A	90	850	3 A	100	750	3 A	112	670	2 A	125	600	2 A	140	530
	112M	6	3 A	112	1060	3 A	125	950	3 A	140	850	2 A	160	750	2 A	180	670
3	100LA	2	3 A	90	560	3 A	100	500	2 A	112	450	2 A	125	400	2 A	140	355
	100LB	4	3 A	112	900	3 A	125	800	2 A	140	710	2 A	160	630	2 A	180	560
	132S	6	3 SPA	100	1600	3 SPA	112	1400	2 SPA	125	1250	2 SPA	140	1120	2 SPA	160	1000
4	112M	2	3 A	100	670	3 A	112	600	2 A	125	530	2 A	140	475	2 A	160	425
	112M	4	3 A	125	1060	3 A	140	950	3 A	160	850	2 A	180	750	2 A	200	670
	132M	6	3 SPA	112	1900	3 SPA	125	1700	2 SPA	140	1500	2 SPA	160	1320	2 SPA	180	1180
5,5	132S	2	3 SPA	100	950	3 SPA	112	850	2 SPA	125	750	2 SPA	140	670	2 SPA	160	600
	132S	4	3 SPA	112	1700	3 SPA	125	1500	2 SPA	140	1320	2 SPA	160	1180	2 SPA	180	1060
	132MB	6	3 SPA	140	2120	3 SPA	160	1900	2 SPA	180	1700	2 SPA	200	1500	2 SPA	224	1320
7,5 (9,2)	132SB (SC)	2	3 SPA	112	1120	3 SPA	125	1000	2 SPA	140	900	2 SPA	160	800	2 SPA	180	710
	132M (MB)	4	3 SPA	125¹⁾	2000	3 SPA	140	1800	2 SPA	160	1600	2 SPA	180	1400	2 SPA	200	1250
	160M	6	3 SPA	160	2500	3 SPA	180	2240	3 SPA	200	2000	2 SPA	224	1800	2 SPA	250	1600
11	160MR	2	3 SPA	125	1500	3 SPA	140	1320	2 SPA	160	1180	2 SPA	180	1060	2 SPA	200	950
	160M	4	3 SPA	160	2360	3 SPA	180	2120	3 SPA	200	1900	2 SPA	224	1700	2 SPA	250	1500
	160L	6	3 SPA	200	3000	3 SPA	224	2650	3 SPA	250	2360	2 SPA	280	2120	2 SPA	315	1900
15	160M	2	3 SPA	140	1800	3 SPA	160	1600	3 SPA	180	1400	2 SPA	200	1250	2 SPA	224	1120
	160L	4	3 SPA	180	2800	3 SPA	200	2500	3 SPA	224	2240	3 SPA	250	2000	2 SPA	280	1800
	180L	6	4 SPA	200	4000	4 SPA	224	3550	4 SPA	250	3150	3 SPA	280	2800	3 SPA	315	2500
18,5	160L	2	3 SPA	160	2000	3 SPA	180	1800	3 SPA	200	1600	3 SPA	224	1400	2 SPA	250	1250
	180M	4	4 SPA	180	3550	4 SPA	200	3150	4 SPA	224	2800	3 SPA	250	2500	3 SPA	280	2240
	200LR	6	4 SPB	200	5000	4 SPB	224	4500	3 SPB	250	4000	3 SPB	280	3550	3 SPB	315	3150
22	180L	4	4 SPA	200	3750	4 SPA	224	3550	4 SPA	250	3000	3 SPA	280	2650	3 SPA	315	2360
	200L	6	4 SPB	224	5300	4 SPB	250	4750	3 SPB	280	4250	3 SPB	315	3750	3 SPB	355	3550
30	200L	4	4 SPB	224	4500	4 SPB	250	4000	3 SPB	280	3550	3 SPB	315	3150	3 SPB	355	2800
	225M	6	5 SPB	250	6300	5 SPB	280	5600	4 SPB	315	5000	4 SPB	355	4500	4 SPB	400	4000
37	225S	4	5 SPB	224	5600	5 SPB	250	5000	4 SPB	280	4500	4 SPB	315	4000	4 SPB	355	3550
	250M	6	6 SPB	250	8000	6 SPB	280	7100	5 SPB	315	6300	5 SPB	355	5600	5 SPB	400	5000
45	225M	4	5 SPB	250	6000	5 SPB	280	5300	4 SPB	315	4750	4 SPB	355	4250	4 SPB	400	3750
55	250M	4	6 SPB	250	7500	6 SPB	280	6700	5 SPB	315	6000	5 SPB	355	5300	5 SPB	400	4750
75	280S	4	6 SPB	280	9000	5 SPB	315	8000	5 SPB	355	7100	5 SPB	400	6400	-	-	-
90	280M	4	6 SPB	315	9000	5 SPC	315	9000	5 SPC	355	8000	4 SPC	400	7100	-	-	-
110	315S	4	6 SPC	315	11000	5 SPC	355	10000	4 SPC	400	8800	-	-	-	-	-	-
132	315M	4	6 SPC	355	12000	5 SPC	400	10600	4 SPC	450	10600	-	-	-	-	-	-
160	315MC	4	6 SPC	400	13000	6 SPC	450	11500	5 8V	450	11500	-	-	-	-	-	-

1) Not valid for power 9,2 kW: $d \geq 140$ mm.

Note: Pulley band width: **1 Z** 16, **2 Z** 28, **1A** 20, **2 A-2 SPA** 35, **3 A-3 SPA** 50, **4 SPA** 65, **3 SPB** 63, **4 SPB** 82, **5 SPB** 101, **6 SPB** 120, **4 SPC** 110, **5 SPC** 136, **6 SPC** 162, **5 8V** 152.

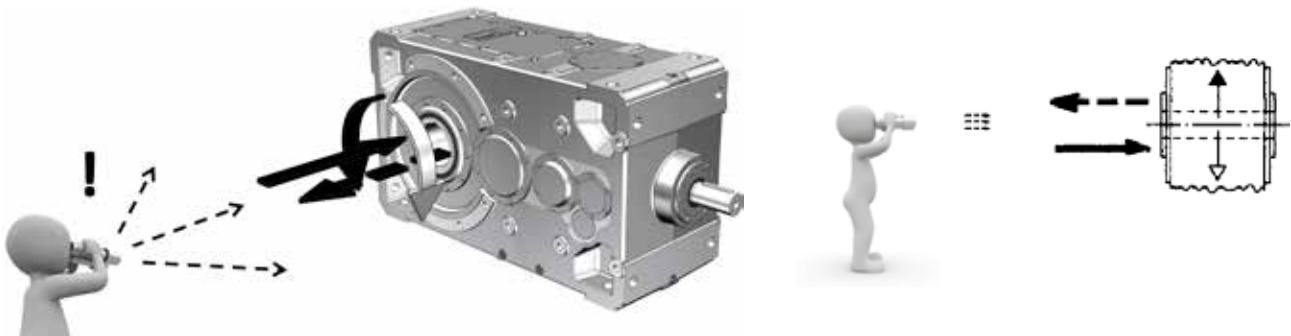
29.2 - Axial loads F_{a2} [kN] or radial loads F_{r2} [kN] on low speed shaft end

Axial loads F_{a2}

Permissible F_{a2} is shown in the column where direction of rotation of low speed shaft (black or white arrow) and direction of the axial force (solid or broken arrow) correspond to those of the gear reducer in question. Direction of rotation and direction of axial force may be established viewing the gear reducer from any point of the two output sides of low speed shaft, providing the same point is adopted for rotation and axial load (see fig. below).

Notes:

- White and black arrows of present chapter do not refer to the ones stating the correspondence of direction of rotation for the different designs (see ch. 26, 28);
- Wherever possible, choose the load conditions corresponding to the column with highest admissible values.
- Values stated in the table are valid for the center line axial load; in the event of a misaligned axial load, consult us.



Radial loads F_{r2}

Radial loads generated on the shaft end by a drive connecting gear reducer and machine must be less than or equal to those given in the relevant tables in the following pages.

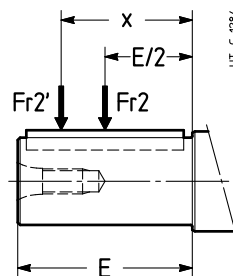
Normally, radial loads on low speed shaft ends are considerable: in fact there is a tendency to connect the gear reducer to the machine by means of a transmission with high transmission ratio (economizing on the gear reducer) and with small diameters (economizing on the drive, and for requirements dictated by overall dimensions). Bearing life and wear (which also affect gears unfavourably) and low speed shaft strength, clearly impose limits on permissible radial load.

IMPORTANT. Permissible radial loads given in the tables are valid for design with one-extension solid low speed shaft; for hollow low speed shaft or solid double extension low speed shaft, consult us.

Permissible radial loads given in the tables are therefore based on: the low speed shaft side where radial load is applied according to low speed wheel position (see ch. 26 and 28), the product of speed n_2 [min⁻¹] for the bearing duration L_n [h] required, the direction of rotation, the angular position φ [°] the load and torque M_2 [kN m] required.

Permissible radial loads given in the tables are valid for overhung loads on center line of high speed shaft end, i.e. operating at a distance of $0,5 \cdot E$ (E = shaft end length) from the shoulder. If radial loads are in a different position, i.e. at a distance differing from $0,5 \cdot E$ from shoulder, re-calculate the permissible value of radial load according to the following formula, trying not to exceed the maximum value F_{r2max} , stated in the tables:

$$F_{r2}' = F_{r2} \cdot \frac{E/2 + y}{x + y} \text{ [kN]}$$



Size

Size	
	y
400	561
401	554

where:

F_{r2} [N] is the permissible radial load acting at the distance x from shaft shoulder;

F_{r2}' [N] is the permissible radial load acting on center line of high speed shaft end (see table on next page);

E [mm] is the shaft end length (see ch. 25, 27);

y [mm] is given in the table;

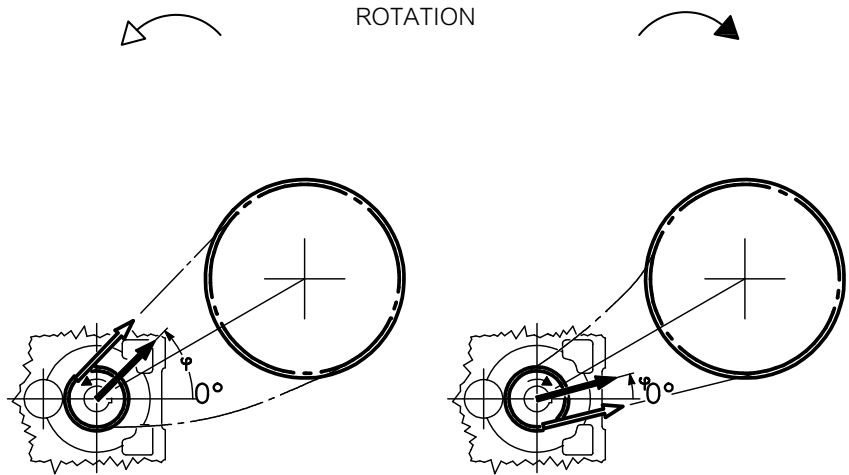
x [mm] is the distance between the shaft shoulder and the load application point.

29.2 - Axial loads F_{a2} [kN] or radial loads F_{r2} [kN] on low speed shaft end

Radial load F_{r2} for most common drives has the following value and angular position:

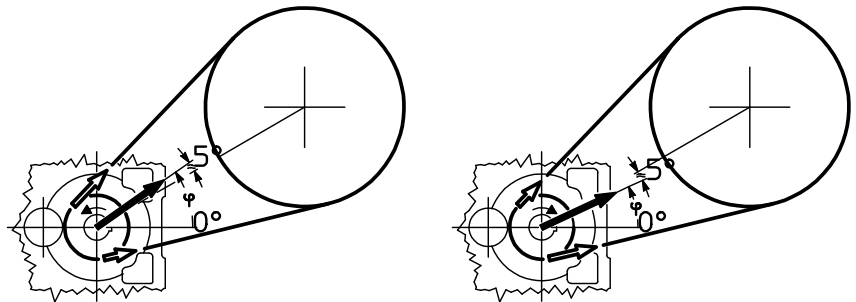
$$F_{r2} = \frac{19,1 \cdot P_2}{d \cdot n_2} \text{ [kN]}$$

for chain drive (lifting in general);
for chain drive replace
19,1 with 28,65



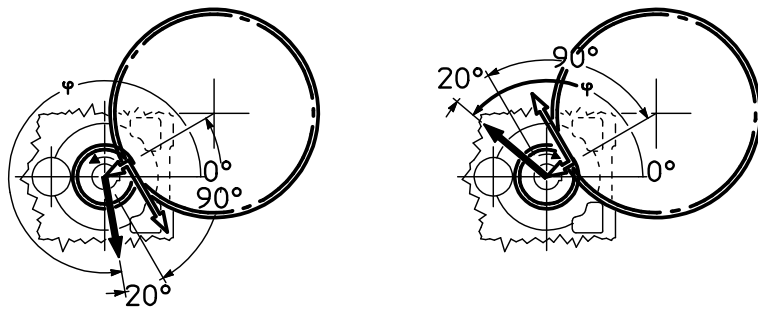
$$F_{r2} = \frac{47,75 \cdot P_2}{d \cdot n_2} \text{ [kN]}$$

for V-belt drive



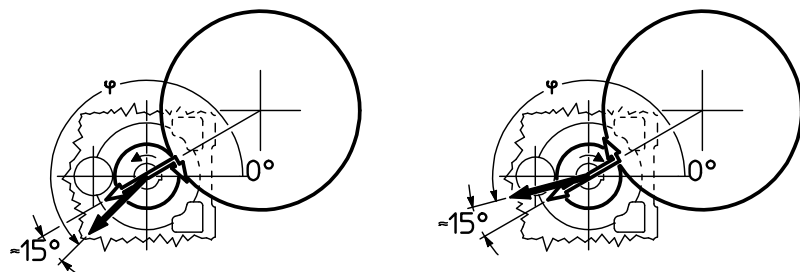
$$F_{r2} = \frac{20,32 \cdot P_2}{d \cdot n_2} \text{ [kN]}$$

for spur gear pair drive



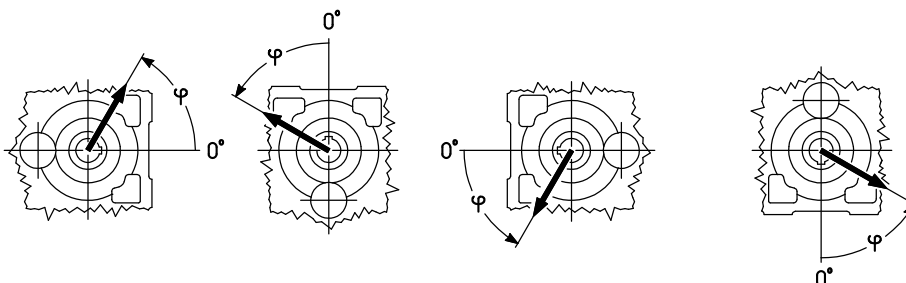
$$F_{r2} = \frac{67,81 \cdot P_2}{d \cdot n_2} \text{ [kN]}$$

for friction wheel drive
(rubber-on-metal)



where: P_2 [kW] is the power required at the output side of the gear reducer, n_2 [min⁻¹] is the speed, d [m] is the pitch diameter.

IMPORTANT: 0° coincides with a straight line concurrent with the axis of the last reduction and orientated as shown above, and therefore it follows the rotation of the housing, as shown below.



29.2 - Axial loads F_{a2} [kN] or radial loads F_{r2} [kN] on low speed shaft end

Radial load applied on **opposite side to low speed wheel**³⁾ (opposite side •)

size **400**

$n_2 \cdot L_h$ $F_{r2}^{1) 2)}$ $F_{a2}^{1)}$

$n_2 \cdot L_h$	min ⁻¹ ·h	kN m	0	45	90	135	180	225	270	315	0	45	90	135	180	225	270	315		
355 000	80	200	200	200	200	200	200	200	200	200	170	150	160	200	200	200	200	200	31,5	80
	56	200	200	200	200	200	200	200	200	200	200	200	200	200	200	200	200	200	40	80
450 000	80	200	200	200	200	200	200	200	200	200	150	125	140	180	200	200	200	200	25	80
	56	200	200	200	200	200	200	200	200	200	200	180	190	200	200	200	200	200	40	80
560 000	80	200	200	170	150	200	200	200	200	200	125	106	118	160	200	200	200	170	18	80
	56	200	200	200	200	200	200	200	200	200	180	160	170	200	200	200	200	200	40	80
710 000	80	200	200	106	95	150	200	200	200	200	106	90	100	140	200	200	200	150	12,5	80
	56	200	200	200	200	200	200	200	200	200	160	140	150	180	200	200	200	190	33,5	80
900 000	80	200	95	40	35,5	60	200	190	200	85	67	75	118	180	200	190	132	9	80	
	56	200	200	200	200	200	200	200	200	140	125	132	160	200	200	200	170	28	80	
	40	200	200	200	200	200	200	200	200	170	160	170	190	200	200	200	200	40	80	
1 120 000	56	200	200	200	200	200	190	200	200	125	106	118	150	190	200	200	160	23,6	80	
	40	200	200	200	200	200	200	200	200	150	140	150	170	200	200	200	180	37,5	80	
1 400 000	56	200	200	170	160	200	180	180	190	106	95	100	132	170	200	180	140	18	80	
	40	200	200	200	200	200	190	190	200	140	125	132	160	190	200	190	160	33,5	80	
1 800 000	56	200	200	118	112	160	170	160	170	90	75	85	112	160	180	170	125	13,2	80	
	40	200	200	200	200	200	180	170	180	125	112	118	140	170	190	180	150	28	75	
2 240 000	56	190	150	80	75	112	150	150	160	75	63	71	100	140	170	150	112	9	75	
	40	190	200	200	200	180	160	160	170	112	100	106	125	160	170	160	132	23,6	71	
2 800 000	40	170	200	180	170	170	150	150	150	100	90	95	118	140	160	150	125	20	67	
	28	180	190	200	190	170	160	150	160	125	112	118	132	150	170	160	140	31,5	63	
3 550 000	40	160	180	150	140	160	140	132	140	85	75	80	100	132	150	140	112	16	63	
	28	160	180	180	180	160	150	140	150	112	100	106	125	140	150	150	125	26,5	60	
4 500 000	40	150	170	112	106	150	132	125	132	75	63	71	90	118	140	125	100	12,5	60	
	28	150	170	170	160	150	140	132	140	100	90	95	112	132	140	132	118	23,6	56	

max **200**

size **400**

355 000	95	200	200	200	200	200	200	200	200	200	200	200	200	200	200	200	200	200	40	80
	67	200	200	200	200	200	200	200	200	200	200	200	200	200	200	200	200	200	40	80
450 000	95	200	200	200	200	200	200	200	200	200	200	200	200	200	200	200	200	200	40	80
	67	200	200	200	200	200	200	200	200	200	200	200	200	200	200	200	200	200	40	80
560 000	95	200	200	200	200	200	200	200	200	200	190	200	200	200	200	200	200	200	40	80
	67	200	200	200	200	200	200	200	200	200	200	200	200	200	200	200	200	200	40	80
710 000	95	200	200	200	200	200	200	200	200	190	170	180	200	200	200	200	200	200	40	80
	67	200	200	200	200	200	200	200	200	200	200	200	200	200	200	200	200	200	40	80
900 000	95	200	200	200	200	200	200	200	200	170	140	150	200	200	200	200	200	200	37,5	80
	67	200	200	200	200	200	200	200	200	200	200	200	200	200	200	200	200	200	40	80
	47,5	200	200	200	200	200	200	200	200	200	200	200	200	200	200	200	200	200	40	80
1 120 000	67	200	200	200	200	200	200	200	200	200	180	190	200	200	200	200	200	200	40	80
	47,5	200	200	200	200	200	200	200	200	200	200	200	200	200	200	200	200	200	40	80
1 400 000	67	200	200	200	200	200	200	200	200	180	160	170	200	200	200	200	200	200	40	80
	47,5	200	200	200	200	200	200	200	200	200	200	200	200	200	200	200	200	200	40	80
1 800 000	67	200	200	200	200	200	200	200	200	150	140	150	180	200	200	200	200	200	40	80
	47,5	200	200	200	200	200	200	200	200	190	180	190	200	200	200	200	200	200	40	80
2 240 000	67	200	200	200	200	200	200	200	200	140	118	132	170	200	200	200	180	35,5	80	
	47,5	200	200	200	200	200	200	200	200	170	160	170	190	200	200	200	200	40	80	
2 800 000	47,5	200	200	200	200	200	200	200	200	160	140	150	180	200	200	200	190	40	80	
	33,5	200	200	200	200	200	200	200	200	180	170	180	200	200	200	200	200	40	80	
3 550 000	47,5	200	200	200	200	200	190	180	190	140	125	132	160	200	200	200	170	40	80	
	33,5	200	200	200	200	200	190	200	200	160	150	160	180	200	200	200	190	40	80	
4 500 000	47,5	200	200	200	200	200	180	170	180	125	112	118	140	180	200	190	160	35,5	80	
	33,5	200	200	200	200	200	190	180	190	150	140	140	160	190	200	200	170	40	80	

max **200**

size **40** max **80**

- 1) An axial load of up to 0,2 times the value in the table is permissible, simultaneously with the radial load. If exceeded consult us.
- 2) An unfavourable direction of load can limit F_{r2} to $0,9 \cdot F_{r2max}$.
- 3) For radial loads acting simultaneously on both sides of double extension low speed shaft or for hollow low speed shaft, consult us.

29.2 - Axial loads F_{a2} [kN] or radial loads F_{r2} [kN] on low speed shaft end

Radial load applied on **low speed wheel side**³⁾ (side •)

size **400**

$n_2 \cdot L_h$ $F_{r2}^{1) 2)}$ $F_{a2}^{1)}$

$n_2 \cdot L_h$	kN m	0	45	90	135	180	225	270	315	0	45	90	135	180	225	270	315	$F_{a2}^{1)}$	
355 000	80	200	200	200	200	200	200	200	200	125	95	100	150	200	200	200	200	31,5	80
	56	200	200	200	200	200	200	200	200	200	160	170	200	200	200	200	200	40	80
450 000	80	200	200	200	200	200	200	190	200	100	71	75	125	200	200	200	190	25	80
	56	200	200	200	200	200	200	200	200	170	140	150	190	200	200	200	200	40	80
560 000	80	200	200	200	200	200	200	170	180	75	53	56	100	200	200	200	160	18	80
	56	200	200	200	200	200	200	200	200	150	125	132	170	200	200	200	200	40	80
710 000	80	200	200	200	200	200	180	150	160	50	33,5	35,5	71	190	200	200	132	12,5	80
	56	200	200	200	200	200	200	190	200	132	106	112	150	200	200	200	190	33,5	80
900 000	80	200	200	200	200	200	160	132	140	-	-	-	33,5	160	200	200	95	10	80
	56	200	200	200	200	200	190	170	180	112	85	90	132	200	200	200	170	28	80
	40	200	200	200	200	200	200	190	200	150	132	140	170	200	200	200	200	40	80
1 120 000	56	200	200	200	200	200	170	150	160	90	67	75	112	190	200	200	150	23,6	80
	40	200	200	200	200	200	190	170	180	140	118	118	150	200	200	200	180	37,5	80
1 400 000	56	190	200	200	200	200	160	140	150	75	53	56	90	170	200	200	140	18	80
	40	200	200	200	200	200	180	160	170	125	100	106	140	190	200	200	170	33,5	80
1 800 000	56	170	200	200	200	200	140	118	132	56	37,5	42,5	71	150	200	200	118	13,2	80
	40	180	200	200	200	200	160	140	150	106	85	90	118	170	200	200	150	28	75
2 240 000	56	160	200	200	190	180	132	106	118	37,5	-	-	53	132	200	190	100	10	75
	40	170	200	200	200	190	150	132	140	90	71	75	106	160	200	190	140	23,6	71
2 800 000	40	160	200	200	200	170	132	118	125	75	60	63	90	140	190	180	125	20	67
	28	160	200	200	200	180	150	132	140	112	95	100	125	160	180	180	140	31,5	63
3 550 000	40	140	190	200	200	160	125	106	112	63	47,5	50	75	132	180	160	112	16	63
	28	150	180	200	190	160	140	125	132	100	80	85	112	140	170	160	132	26,5	60
4 500 000	40	132	180	200	190	150	112	95	100	50	37,5	40	63	118	160	150	95	12,5	60
	28	140	170	190	180	150	125	112	118	85	71	75	95	132	160	150	118	23,6	56

max **200** size **40** **400** **180**

355 000	95	200	200	200	200	200	200	200	200	200	180	190	200	200	200	200	200	40	80
	67	200	200	200	200	200	200	200	200	200	200	200	200	200	200	200	200	40	80
450 000	95	200	200	200	200	200	200	200	200	200	150	160	200	200	200	200	200	40	80
	67	200	200	200	200	200	200	200	200	200	200	200	200	200	200	200	200	40	80
560 000	95	200	200	200	200	200	200	200	200	200	170	125	132	200	200	200	200	40	80
	67	200	200	200	200	200	200	200	200	200	200	200	200	200	200	200	200	40	80
710 000	95	200	200	200	200	200	200	200	200	140	100	106	170	200	200	200	200	40	80
	67	200	200	200	200	200	200	200	200	200	180	180	200	200	200	200	200	40	80
900 000	95	200	200	200	200	200	200	190	200	106	75	80	132	200	200	200	200	33,5	80
	67	200	200	200	200	200	200	200	200	190	150	160	200	200	200	200	200	40	80
	47,5	200	200	200	200	200	200	200	200	200	200	200	200	200	200	200	200	40	80
1 120 000	67	200	200	200	200	200	200	200	200	160	132	140	190	200	200	200	200	40	80
	47,5	200	200	200	200	200	200	200	200	200	180	190	200	200	200	200	200	40	80
1 400 000	67	200	200	200	200	200	200	190	200	140	112	118	170	200	200	200	200	40	80
	47,5	200	200	200	200	200	200	200	200	190	160	170	200	200	200	200	200	40	80
1 800 000	67	200	200	200	200	200	200	170	180	118	90	95	140	200	200	200	200	37,5	80
	47,5	200	200	200	200	200	200	200	200	170	140	150	190	200	200	200	200	40	80
2 240 000	67	200	200	200	200	200	180	150	170	100	71	75	118	200	200	200	180	30	80
	47,5	200	200	200	200	200	200	180	190	150	125	132	170	200	200	200	200	40	80
2 800 000	47,5	200	200	200	200	200	190	170	180	132	106	112	150	200	200	200	190	40	80
	33,5	200	200	200	200	200	200	190	190	170	150	150	180	200	200	200	200	40	80
3 550 000	47,5	200	200	200	200	200	170	150	160	118	90	95	132	200	200	200	170	37,5	80
	33,5	200	200	200	200	200	190	170	180	150	132	132	160	200	200	200	190	40	80
4 500 000	47,5	180	200	200	200	200	160	132	140	100	75	80	118	180	200	200	160	31,5	80
	33,5	190	200	200	200	200	170	160	160	132	118	118	150	190	200	200	180	40	80

max **200** max **40** max **80**

1) An axial load of up to 0,2 times the value in the table is permissible, simultaneously with the radial load. If exceeded consult us.

2) An unfavourable direction of load can limit F_{r2} to $0,9 \cdot F_{r2max}$.

3) For radial loads acting simultaneously on both sides of double extension low speed shaft or for hollow low speed shaft, consult us.

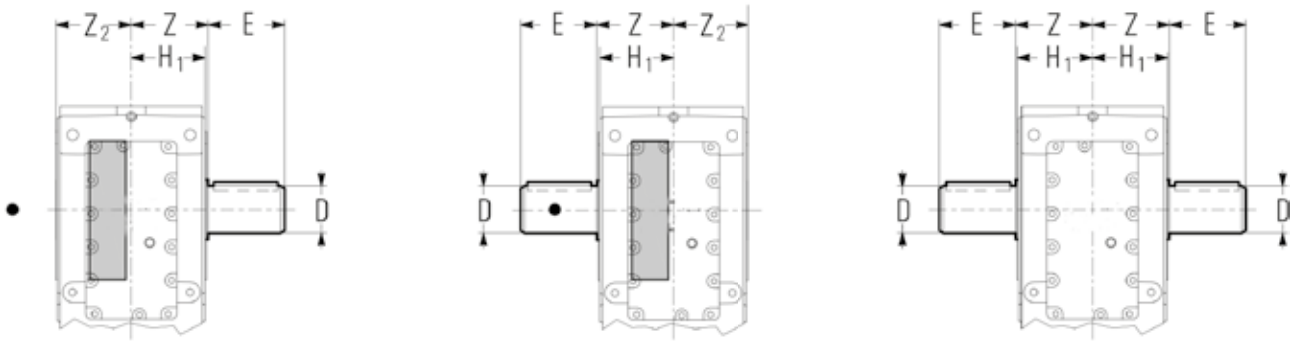
Page intentionally left blank

30 - Accessories and non-standard designs

(2)	Solid low speed shaft	426
(4)	Solid low speed shaft with front holes	426
(5)	Stepped hollow low speed shaft.....	427
(6)	Hollow low speed shaft with shrink disc	428
(7)	Protection for hollow low speed shaft with shrink disc	429
(8)	Flange	430
(9)	Backstop device	431
(10)	Reaction bolt using disc spring	431
(15)	Fan cooling	432
(16)	Water cooling by coil	433
(17)	Cooling by internal exchanger	433
(18)	Additional oversized diameter housing hole	434
(19)	Forced bearing lubrication	434
(20)	Hollow low speed shaft washer	434
(22)	Hollow low speed shaft protection	434
(24)	Special painting cycles	435
(25)	Oil heater	437
(26)	High and low speed shaft seals	437
(27)	Magnetic plug	439
(28)	Oil drain tap	439
(29)	Independent cooling unit	439
(30)	Oil temperature probe	441
(31)	Oil temperature probe with amperometric transducer	441
(32)	Bearing temperature probe	442
(33)	Bearing temperature probe with amperometric transducer	443
(34)	Bi-metal type thermostat	443
(35)	Oil level switch with float	444
(36)	Oil optical probe.	444
-	Miscellaneous	445

ATTENTION. The simultaneous presence on the same gear reducer of two or more accessories or non-standard designs is not always possible: consult us, if need be.

(2) Solid low speed shaft



- Low speed wheel position (s. ch. 26 and 28) for the verification of radial load.

UT.C 2067

Size	D ∅	E	Z	Z ₂	H ₁	Δkg	
						standard	double extension
400	190 m6	280	330	328	322	+150	+220
401	200 m6	280	330	328	322	+150	+230

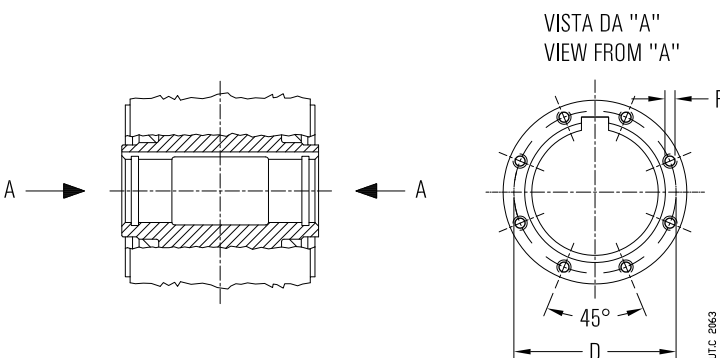
Standard mounting position is with solid low speed shaft end on opposite side to low speed wheel. For reverse mounting, specify in designation «**mounted on groove side**».

The external diameter of the element or of the spacer abutting with the gear reducer must be $(1,25 \div 1,4) \cdot D$; hole tolerance D H7 ... K7.

Other dimensions at ch. 24 «High and low speed shaft end».

Supplementary description when ordering by designation: **standard**, or **double extension low speed shaft**.

(4) Hollow low speed shaft with front holes



Size	D ∅	F ¹⁾	F _{a max} ²⁾ kN
400, 401	234	M14	No. 8 525

1) Thread depth $2 \cdot F$.

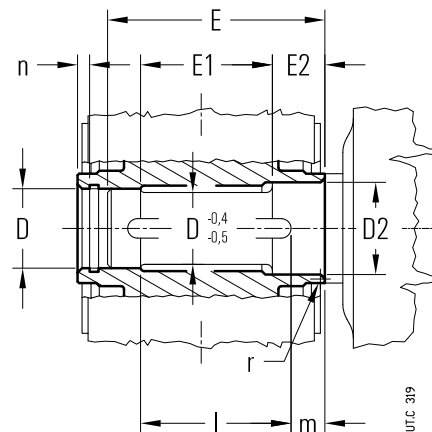
2) Maximum total axial load for screws class 8.8.

Hollow low speed shaft including tapped butt-end holes. The dimensions of threaded holes and the maximum axial load deriving from relevant screws in class 8.8 are stated in the table.

ATTENTION. This axial load cannot be sufficient to assure the dismounting of gear reducer from machine shaft end. In fact, according to coupling tolerances selected to realize the machine shaft end and according to coupling type suitable for installation environment and duty type (e.g.: alternate cycles, overloads, etc.) – the dismounting could require an extraction force much higher than threading capabilities, which would be in that case irretrievably damaged. In these cases it is advised to adopt the extraction system through hollow low speed shaft washer (see ch. 30 (20)).

Supplementary description when ordering by designation: **hollow low speed shaft with front holes**.

(5) Stepped hollow low speed shaft



Size	D Ø	D ₂ Ø	E 2)	E ₁	E ₂ 2) 1) 2)	l	m	n	r
400, 401	200 H7	210 H7	620	300	165 130	600	10	14	5

1) Values valid for **R 41**.

2) In presence of «Low speed shaft seal with labyrinth and grease feeder» (ch. 30 (26)) it is necessary to increase the dimension E (E₂) of quantity A stated in the table on ch. 30 (26).

Stepped hollow low speed shaft, with keyway; this design **facilitates** installation and removal and **affords a notable increase** in rigidity and resistance to bending and torsional stresses at the shaft end of the driven machine.

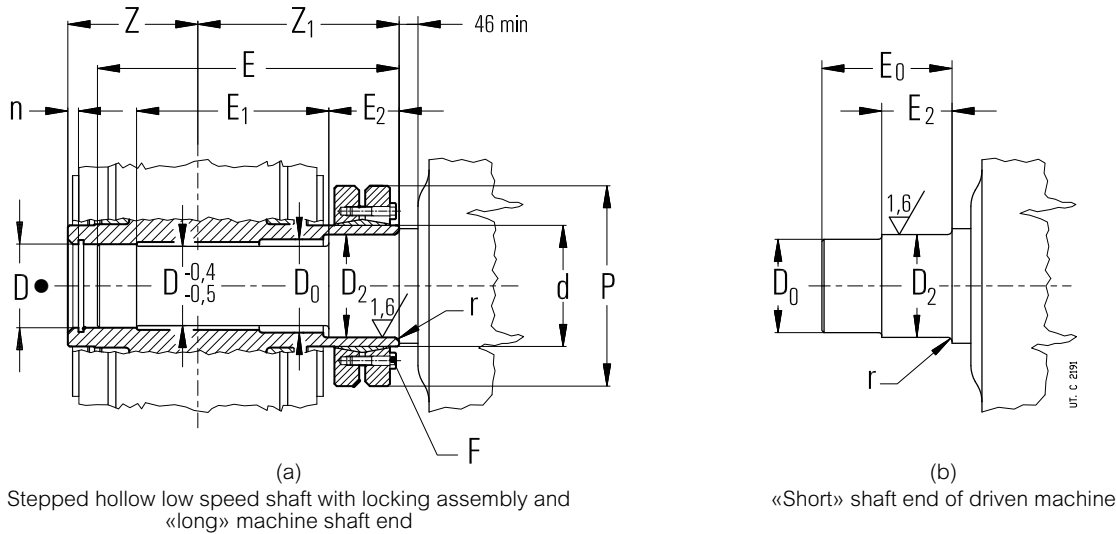
D₂ hole is always **opposite to groove side**.

Important: the shoulder diameter of the driven machine shaft end abutting with the gear reducer must be at least $(1,18 \div 1,25) \cdot D$.

Supplementary description when ordering by **designation:** stepped hollow low speed shaft.

(6) Hollow low speed shaft with shrink disc

Side to machine



- Low speed wheel position (see ch. 26 and 28), except for train of gears 4l where the low speed wheel is on machine side

Gear reducer size	D ∅ H7 / h6, j6	D ₂ ∅	D ₀ ∅	E	E ₀	E ₁	E ₂ 1)	F 2)	M _s 3) N m	n	d ∅	P ∅	r	Z	Z ₁	M _{2SD} 4) kN m	Δkg	
400, 401	210	220	215	754	607	446	165	130	M20 n. 14	490	14	260	430	5	330	463	285	+100

- 1) Values valid for **R 4l**.
- 2) Screws UNI 5737-88 class 10.9
- 3) Screw tightening torque.
- 4) Maximum torque value transmissible by shrink disc.

Stepped hollow low speed shaft with shrink disc on **machine side** (interposed between gear reducer and machine); this design **facilitates** installation and removal and **affords** a notable increase in rigidity of keying, **reduces** the deformations of machine shaft end, **avoiding** the necessity of safety guards on the unit itself. Moreover, since deformability of keying area is greater ($d - D_2 < d - D$) and friction area acts on a greater diameter ($D_2 > D$), maximum transmissible torque increases by 18 ÷ 25% compared to the solution with shrink disc on opposite side to machine.

For a further axial fastening and in order to facilitate the assembling and disassembling operations (see ch. 31), it is possible to make use of hollow low speed shaft washer with retaining ring and bolt for axial fastening (on request).

For the shaft end of driven machine on which gear reducer stepped hollow low speed shaft must be keyed, it is possible to adopt both «long» and «short» shaft end of driven machine: dimensions as per table.

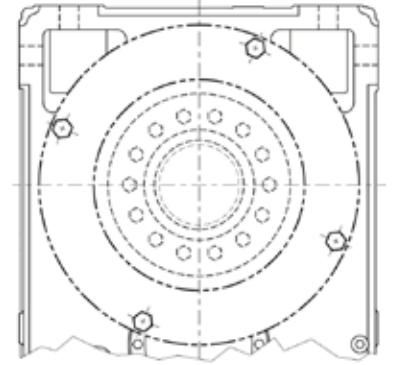
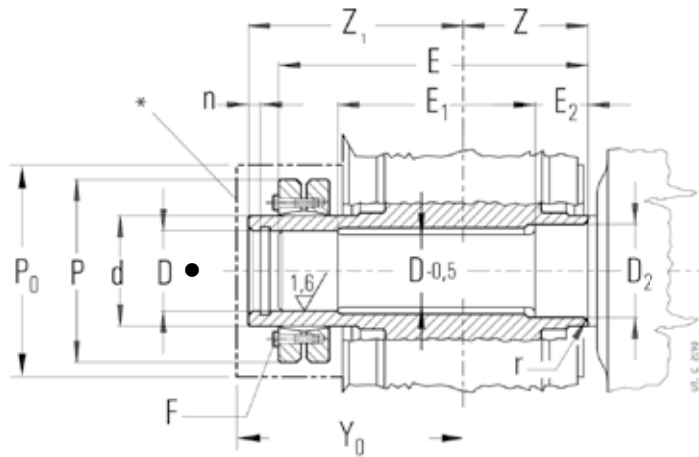
In the first case (fig. a), where the «long» shaft end of driven machine acts as a guide, mounting operations are facilitated. In the second case (fig. b), the reduced axial dimension of the «short» shaft end of driven machine, limits the mounting and removing overall dimensions at the very least.

In both cases the rigidity and the resistance to bending and torsional stresses at the shaft and of driven machine do not change, since the only surface through which torque transmission occurs is the D_2 one.

IMPORTANT. The shoulder diameter of the driven machine shaft end abutting with the gear reducer must be at least $(1,18 \div 1,25) \cdot D$.

Supplementary description when ordering by **designation: hollow low speed shaft with shrink disc, on machine side.**

Opposite side to machine



Safety guard for shrink disc

UT.C 2190-2192

- Low speed wheel position (see ch. 26 and 28), except for train of gears 4I where the low speed wheel is on machine side

Gear reducer size	D	D ₂	E	E ₁	E ₂	F	M _s	n	d	P	P ₀	r	Z	Z ₁	Y ₀	M _{2SD}	Δkg	
	∅	∅	5)		5)	1) 5)	2)	3)	∅	∅	∅				≈	4)		
	H7 / h6, j6							N m								kN m		
400, 401	210	220	788	480	165	130	M20 n. 14	490	14	260	430	450	5	330	497	522	254	+100

- 1) Values valid for **R 4I**.
 - 2) Screws UNI 5737-88 class 10.9
 - 3) Screw tightening torque.
 - 4) Maximum torque value transmissible by shrink disc.
 - 5) In presence of «Labyrinth seal and low speed shaft grease feeder» (ch. 30 (26)) it is necessary to increase the dimension E (E₂) of quantity A stated in the table on ch. 30 (26).
- * Protection for hollow low speed shaft with shrink disc, on request.

Stepped hollow low speed shaft with shrink disc on machine opposite side.

This design, compared with the machine side design, improves the accessibility to the shrink disc but it is more expensive and with a lower torsional stiffness; the shrink disc transmits a lower torque.

A protection for the shrink disc for personal safety-guard is supplied as standard, see chapter below for details.

IMPORTANT. The shoulder diameter of the driven machine shaft end abutting with the gear reducer must be at least $(1,12 \div 1,18) \cdot D$.

Supplementary description when ordering by **designation: hollow low speed shaft with shrink disc, on machine opposite side.**

(7) Protection for hollow low speed shaft with shrink disc

Safety protections, made of steel, for gear reducers equipped with hollow low speed shaft with shrink disc on machine opposite side (groove side).

For dimensions and assembly sketch see «Low speed shaft with shrink disc on machine opposite side». «Hollow low speed shaft with shrink disc on machine opposite side».

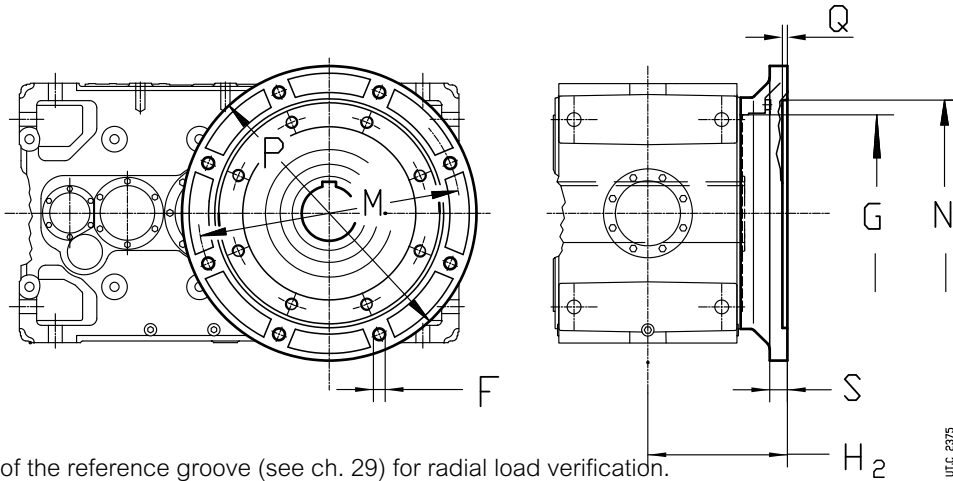
The accessory is supplied already fitted as standard when ordering the option «Hollow low speed shaft with shrink disc on machine opposite side» .

(8) Flange (sizes 400 ... 401)

Flange having clearance holes and spigot «recess».

The accessory is supplied fitted onto the gear reducer. Unless otherwise stated, the mounting position is on groove opposite side. For groove side mounting position (for bevel helical gear units only), state in the designation: «**mounting on groove side**». Locking adhesives such as LOCTITE are recommended both around threads and on mating surfaces.

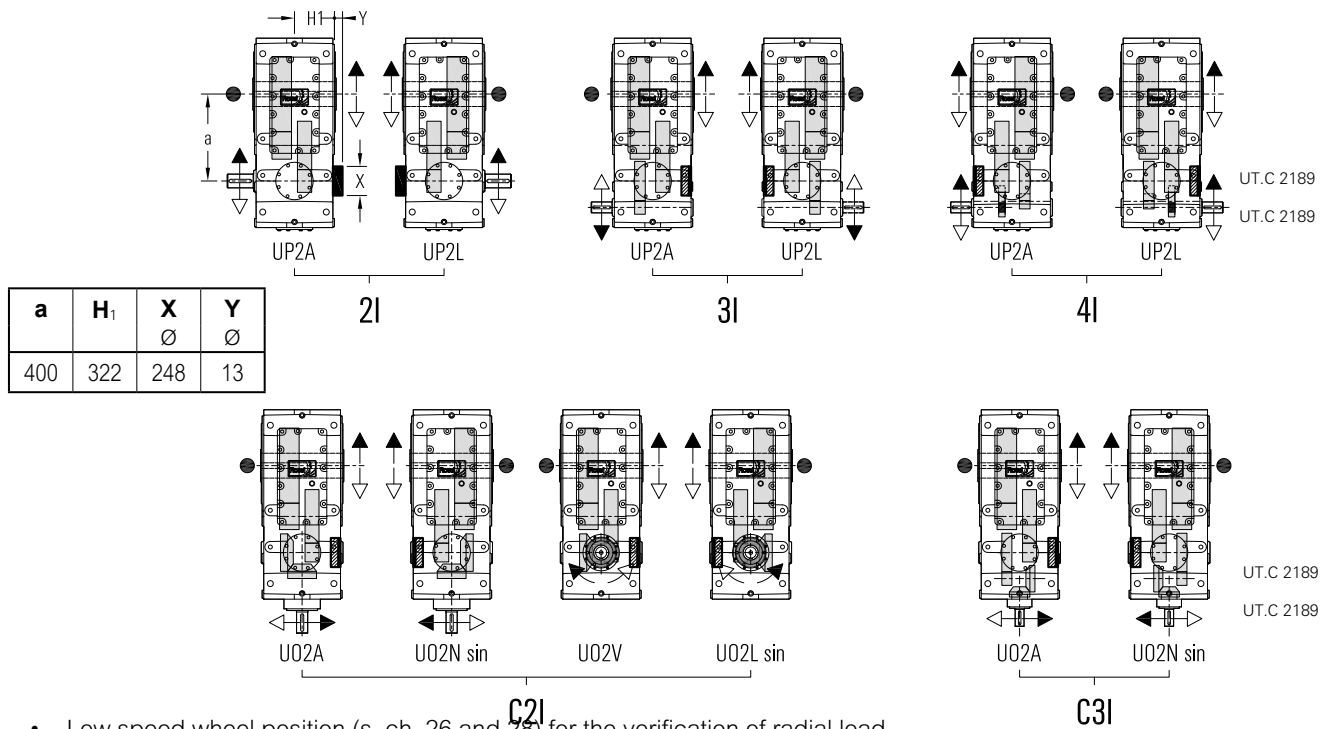
Supplementary description when ordering by **designation: flange B5** or **flange B5 type B** (see table).



● Position of the reference groove (see ch. 29) for radial load verification.

Size	F ∅	G ∅	H ₂ h12	M ∅	N ∅ H7	P ∅	Q	S	Mass kg	Designation
										Flange B5
40	9,5	60	80	115	95	140	4	11	0,8	Flange B5
50	9,5	70	80	130	110	160	4,5	12	1	Flange B5
63, 64	11,5	80	100	165	130	200	4,5	14	2	Flange B5
63, 64	14	80	107	176	152	210	6	14	2,9	Flange B5 Typ B
80, 81	14	110	112	215	180	250	5	16	3,2	Flange B5
80, 81	14	110	129	230	170	280	6	16	5,8	Flange B5 Typ B
100	14	130	132	265	230	300	5	18	5,5	Flange B5
125	18	180	154	300	250	350	6	20	8,5	Flange B5
140	18	230	165	350	300	400	6	22	13	Flange B5
160	18 ⁸	230	191	400	350	450	6	22	15	Flange B5
180	18 ⁸	250	191	400	350	450	6	22	20	Flange B5
200	18 ⁸	300	231	500	450	550	6	25	25	Flange B5
225	22 ⁸	350	231	500	450	550	6	25	31	Flange B5
250, 280	27 ⁸	450	280	600	550	660	7	30	50	Flange B5
320 ... 360	33 ⁸	550	345	740	680	800	7	37	80	Flange B5
400, 401	39 ⁸	680	500	940	880	1020	7	45	160	Flange B5

(9) Backstop device



- Low speed wheel position (s. ch. 26 and 28) for the verification of radial load.

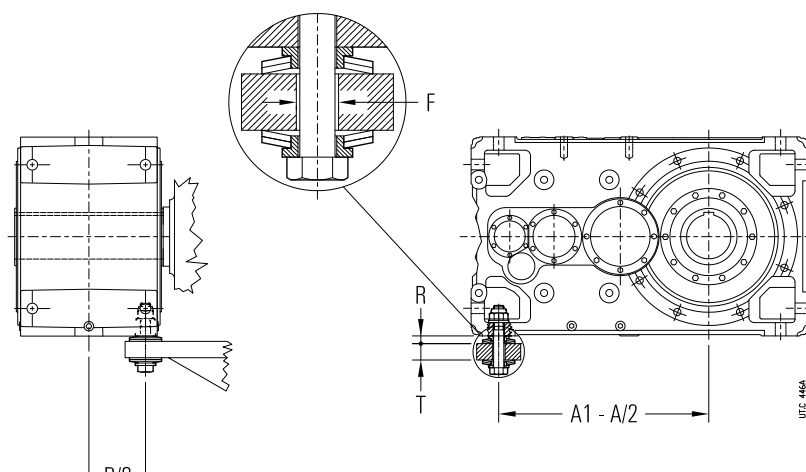
Backstop device available for helical gear reducers with $i_N \geq 12,5$ and bevel helical gear reducers with $i_N \geq 11,2$. The maximum overload capacity of device is equal to $1,7 \cdot M_{N2}$.

The possible designs and positions are stated in the fig.

Backstop device doesn't project from dimension H_1 (except train of gears 2I).

Supplementary description when ordering by **designation: backstop device, white or black arrow free-rotation.**

(10) Reaction bolt using disc springs



Gear reducer size	Screw UNI 5737-88	Disc spring DIN 2093	A1 - A/2	B/2	T	F	R
400, 401	M45 × 260	A 125 n. 2	950	256	55	50	31

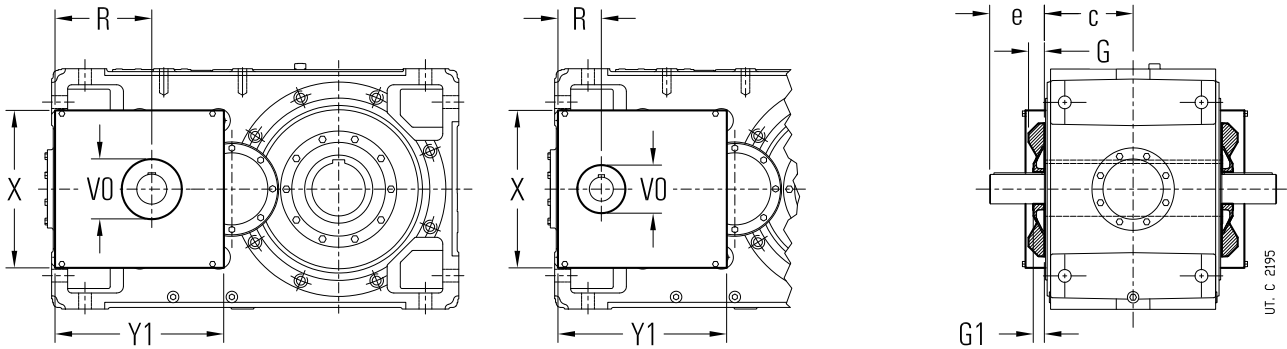
1) Theoretical value: tolerance 0 ± -1 .

Reaction arrangement for shaft mounting See technical explanations at ch. 18. Do not apply in the feet holes on short side.

Supplementary description when ordering by **designation: reaction bolt using disc springs**

(15) Fan cooling

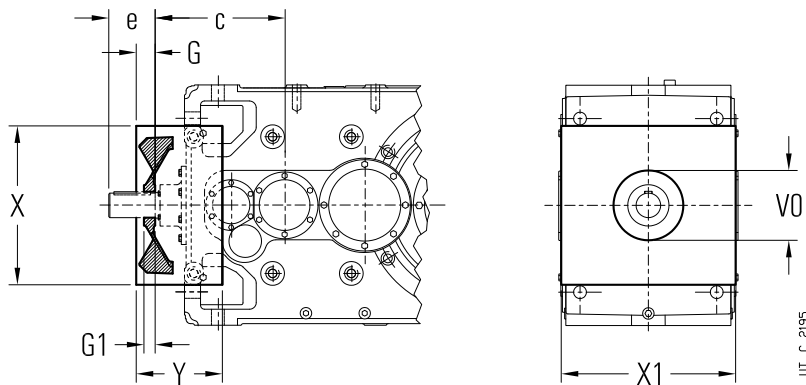
The **helical** gear reducers **R 2I** and **R 3I** can be supplied with **one** or **two** cooling fans keyed on high speed shafts. For dimensions **e**, and **c** see ch. 26.



Gear reducer size			2I		3I		X	Y₁	
	G	G₁	R	V₀	G₁	R			V₀
400, 401	63	50	363	220	40	163	175	560	633

- 1) Bolts projecting 6 mm from **G** dimension.
- 2) The high speed shaft end length is equal to **e - G₁**.

The **bevel helical** gear reducers **R C2I** can be supplied with **one** only cooling fan keyed onto high speed shaft. For dimensions **e** and **c** see ch. 28.

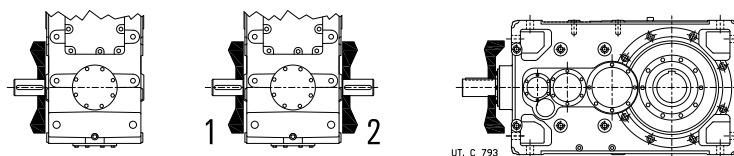


Gear reducer size	G	G₁	V₀	X	X₁	Y
		2)	Ø		1)	
400, 401	72	47	220	590	640	310

- 1) Bolts projecting 6 mm from dimension **X₁**.
- 2) The high speed shaft end length is equal to **e - G₁**.

With double extension high speed shaft designs both extensions are accessible even with fan fitted: personnel safety-guards are the Buyer's responsibility (2006/42/EEC).

Possible designs and positions are those illustrated below.



Temperature of cooling air must not exceed ambient temperature.

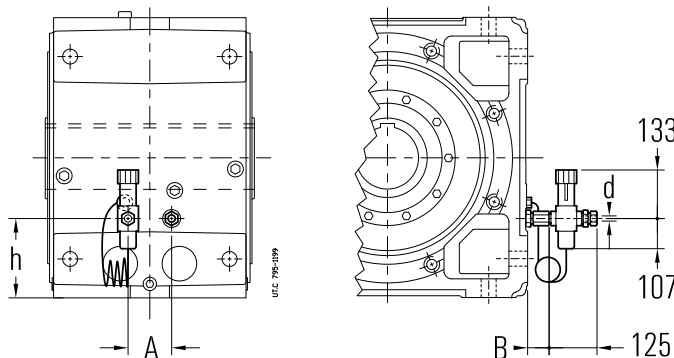
Supplementary description when ordering by **designation: fan cooling**; in design with double extension high speed shaft state if pos. **1** or **2** – only for helical gear units – **1** and **2**.

Also available independent cooling unit with heat exchanger (see ch. 30 (29)); consult us if need be.

(16) Water cooling by coil

Coil made of copper alloy for gear reducer water cooling. On request, available also stainless steel coil (AISI 316) or cupro-nickel, consult us.

Design not possible for vertical mounting positions (V5, V6) with low speed shaft wheel positioned on the bottom.



Gear reducer size	A ¹⁾	B ¹⁾	d	h
400, 401	≈ 140	≈ 45	16	255

1) Values valid for mounting position B3 and designs U ... A; for other mounting positions and/or designs, consult us.

Cooling water specifications:

- be not too hard ≤ 12 °F (French degrees);
- be at max temperature 20 °C;
- capacity $10 \div 20$ dm³/min;
- pressure $0,2 \div 0,4$ MPa ($2 \div 4$ bar).

A polished metallic pipe (with external diameter **d** stated on table) is sufficient for the connection.

The load loss of coil, according to capacity and water pressure, is approximately $0,6 \div 0,8$ bar.

On request thermostatic valve which, automatically and without auxiliary supply need, permits water circulation when gear reducer oil reaches the set temperature; the valve sensor is equipped with immersion bulb. Mounting and setting, adjustable within $50 \div 90$ °C, are Buyer's responsibility.

For ambient temperature lower than 0 °C consult us.

Supplementary description when ordering by **designation: water cooling by coil** or **water cooling by coil and thermostatic valve**.

(17) Cooling by internal exchanger

Gear reducers sizes 400, 401 helical type 2I and 3I, bevel helical type C2I and C3I design UO2A, UO2H, UO2V can be equipped with **internal** and **extractable** heat exchanger, made of aluminium, mounted on gear reducer inspection cover (facilitating the maintenance operations) for the water cooling of lubrication oil.

The value of thermal factor $f_{t,b}$ according to mounting position is given in the table.

Dimensions on request: consult us.

Cooling water specifications:

- be not too hard ≤ 12 °F (French degrees);
- max temperature 20 °C;
- capacity $10 \div 20$ dm³/min;
- pressure $0,2 \div 0,4$ MPa ($2 \div 4$ bar).

A polished metallic pipe with external diameter **Ø16** is sufficient for the connection, paying attention to keep fixed the fillet using a second hexagon wrench, when fastening the pipe on the fillet. The load loss in the internal exchanger, according to capacity and water pressure, is $1,4 \div 1,8$ bar for diameter Ød 16 and $1,8 \div 2$ bar for Ød 12.

On request thermostatic valve which, automatically and without auxiliary supply need, permits water circulation when gear reducer oil reaches the set temperature (after technical feasibility verification, consult us); the valve sensor is equipped with immersion bulb. Mounting and setting, adjustable within $50 \div 90$ °C, are Buyer's responsibility.

For ambient temperature lower than 0 °C consult us.

Supplementary description when ordering by **designation: independent cooling with internal exchanger**.



Gear reducer size	$f_{t,b}$		
	B3	B6, B7	B8, V5, V6
400, 401	2	2,24	2,12

(18) Additional oversized diameter housing hole for oil cooling from external circuit

In the event of an oil cooling system through centralized external circuit (e.g.: paper plants) it is necessary to foresee an additional hole of proper dimensions on gear reducer housing in order to allow the lubricant flow for gravity.

The setting of oil flow at gear reducer input must be executed during running by the Customer.

The heat quantity dissipated by the system depends on oil flow and on input and output oil temperature difference.


Available only for mounting positions B3 and B8.

Tapped butt-end hole **G 2 1/2"**.

Supplementary description when ordering by **designation: additional oversized diameter housing holes.**

(19) Forced bearing lubrication

All gear reducers according to train of gears, design, transmission ratio, mounting position, input speed and duty cycle can be equipped with a non-oil-bath forced bearing lubrication system through **internal piston pump** or external **lubrication system with motorpump** (see ch. 24).

The following table resumes the cases (see  at ch. 26, 28) where – **according to the only mounting position** and for continuous duty – it is necessary to foresee the bearing lubrication. For other operating conditions, consult us.

Train of gears	Designs	Presence of lubrication pump					
		Mounting position					
		B3	B6	B7	B8	V5	V6
2I, 3I, 4I	all	–	–	–	n.a.	P	P
C2I	UO2A, UO2N sin	–	P	–	n.a.	P	P
	UO2H, UO2M sin	P	P	–	n.a.	P	P
	UO2V, UO2L sin	P	–	–	–	P	P
C3I	all	–	P	–	n.a.	P	P

– Forced bearing lubrication not necessary.

P Forced bearing lubrication necessary (with pump or motor pump).

n.a. Mounting position not foreseen.

For cases highlighted with **▲** ch. 25 and 27, foresee the lubrication with **motor pump** and possible heat exchanger (see ch. 22, 24, 30(29)).

IMPORTANT. For the running at cold starting ($T_{\text{ambient}} = T_{\text{oil}} \leq 25 \text{ }^\circ\text{C}$) and lubrication systems (see also ch. 24 and 30 (11)), **always foresee the oil heater** (see ch. 30 (25)).

In general, when the maximum system reliability is required, in presence of particular heavy load cycles or hard ambient conditions, it is recommended to evaluate the possibility to install anyway the bearing lubrication motor pump; consult us.

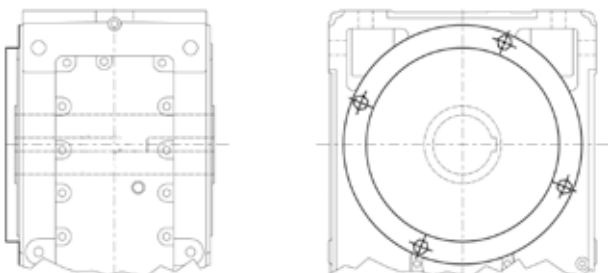
Supplementary description when ordering by **designation: bearing lubrication pump** or **bearing lubrication motor pump.**

(20) Hollow low speed shaft washer

Gear reducers with hollow low speed shaft or with hollow low speed shaft with shrink disc can be equipped with washer, retaining ring and screw for axial fastening (see ch. 31).

Supplementary description when ordering by **designation: hollow low speed shaft washer.**

(22) Hollow low speed shaft



Safety protections, made of steel, of the area not used of the hollow low speed shaft. The protection is to be mounted on low speed wheel side (on the opposite side for R 4I; see also ch. 26 and 28). Dimensions on request; consult us.

(24) Optional paint (sizes 400, 401)

The gear reducers and gearmotors can be supplied with optional painting cycles, according to following table
Additional description when ordering by **designation: optional paint ...** (see code stated in the table; i.e.: «**optional paint 2HRAL5010**»).

Application field	Features	Corrosivity class	Durability classes	Description	Average final thickness on machined parts µm	Code
		ISO 12944-2	ISO 12944-2			
Applications in aggressive environments	Good resistance to atmospheric and aggressive agents	C4	Low	Dual-compound epoxy primer Water-soluble dual-compound enamel with acrylic-polyurethan resins	150	1HRAL5010 (blue)
			Medium	Dual-compound epoxy primer (x 2) Water-soluble dual-compound enamel with acrylic-polyurethan resins	200	2HRAL5010 (blue)
			High	Dual-compound epoxy primer (x 4) Water-soluble dual-compound enamel with acrylic-polyurethan resins	300	3HRAL5010 (blue)
Outdoor applications in saline environment	Excellent resistance to atmospheric and aggressive agents Outdoor applications in saline environment	C 5 - M	Medium	Sand blasting Dual-compound antirust primer with zinc phosphates Dual-compound epoxy primer Water-soluble dual-compound enamel with acrylic-polyurethan resins	300	2IRAL5010 (blue)
			High	Sand blasting Dual-compound antirust primer with zinc phosphates Recess sealing with polyurethan sealant Dual-compound epoxy primer Water-soluble dual-compound enamel with acrylic-polyurethan resins	400	2KRAL5010 (blue)
Outdoor applications in chemically aggressive environment and high humidity industrial areas	Excellent resistance to atmospheric and aggressive agents Outdoor applications in chemically aggressive environment (fertilizers, etc.)	C 5 - I	Medium	Sand blasting Dual-compound antirust primer with zinc phosphates Dual-compound epoxy primer Water-soluble dual-compound enamel with epoxy resins	300	2LRAL5010 (blue)
			High	Sand blasting Dual-compound antirust primer with zinc phosphates Recess sealing with polyurethan sealant Dual-compound epoxy primer Water-soluble dual-compound enamel with epoxy resins	400	2YRAL5010 (blue)

Other colors are available on request, preferred RAL codes are as follows:

1000, 1003, 1004, 1013, 1014, 1015, 1016, 1018, 1021, 1023, 1028,

2000, 2001, 2002, 2003, 2004, 2009, 2010,

3000, 3001, 3002, 3003, 3005, 3007, 3011, 3016, 3020,

4003,

5000, 5001, 5002, 5003, 5005, 5007, 5008, 5009, 5011, 5012, 5013, 5015, 5017, 5018, 5019, 5021, 5022, 5023, 5024,

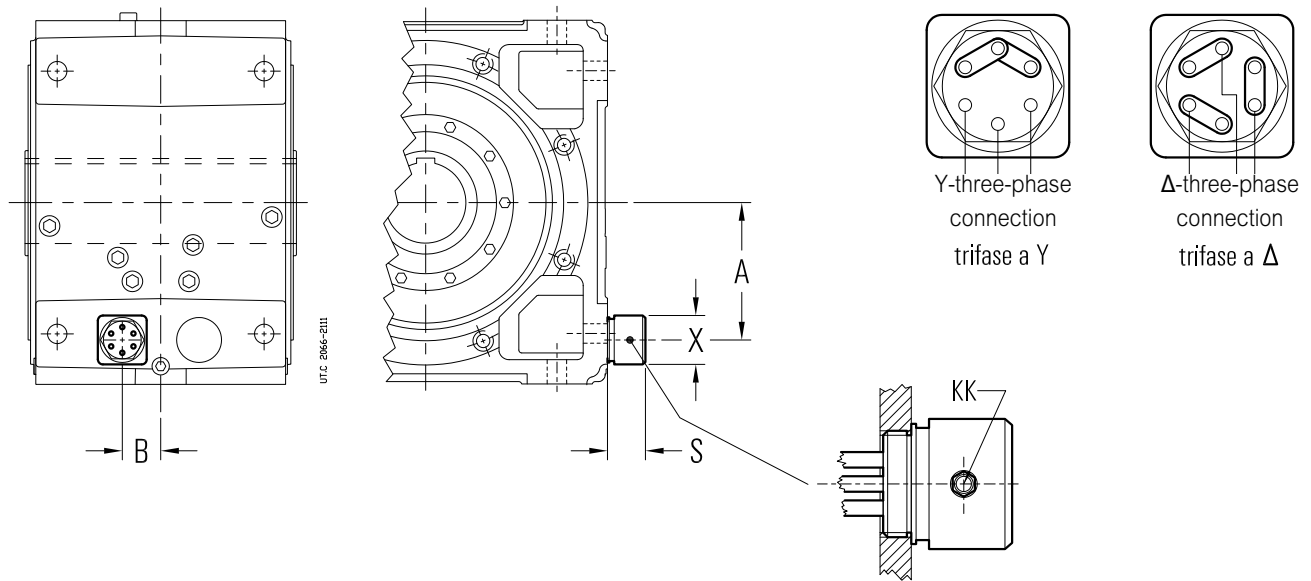
6000, 6001, 6003, 6004, 6005, 6010, 6011, 6012, 6017, 6018, 6019, 6020, 6021, 6024, 6025, 6026, 6027, 6028, 6029,
6032, 6033, 6037,

7000, 7001, 7004, 7006, 7011, 7012, 7015, 7016, 7021, 7022, 7023, 7024, 7030, 7031, 7032, 7033, 7034, 7035, 7036,
7037, 7038, 7040, 7042, 7043, 7044, 7046, 7048,

8012, 8014,

9001, 9002, 9003, 9005, 9011, 9017, 9006, 9007, 9010, 9016, 9018, 9023

(25) Oil heater



Gear reducer size	A	B	S	X	KK	Supply	P kW
400, 401	340	95	≈ 90	85	Pg13	~ 3 Δ230 Y400 V - 50 Hz	n. 1 × 2,1

Oil heater for gear reducer starting at low ambient temperature.

Specify the design «Oil temperature probe» together with this design.

The heater is piloted through proper control device (at customer's care e.g.: PLC or supplied by Rossi e.g. 2-threshold signalling device CT03 or three-threshold signalling device CT10) releasing when achieving the pre-set oil temperature.

IMPORTANT. The data stated in the table refer to mounting positions **B3**; for other mounting positions, consult us.

The design can be not compatible with other designs, consult us.

Features:

- specific power 2W/cm²;
- three-phase supply Δ230 Y400 V 50-60 Hz;
- stainless steel resistors AISI 321;
- metallic terminal box; cable gland Pg13; protection IP 65;
- horizontal mounting with oil bath lubrication;
- max oil temperature 90°C;
- threaded brass joint G 2"½;
- available also in ATEX design; dimension and power values change, please consult us.

Available also in a version equipped with integrated thermostat.

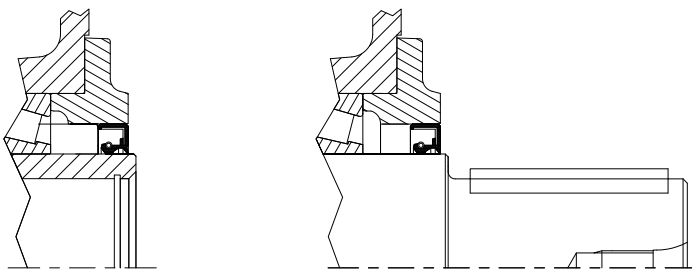
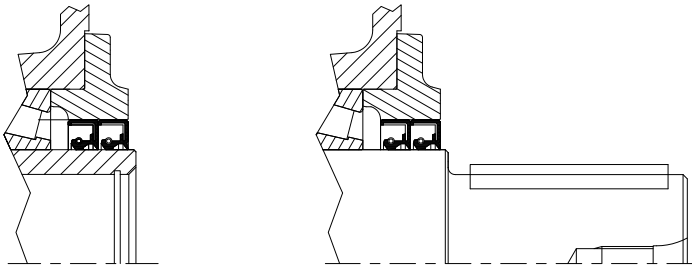
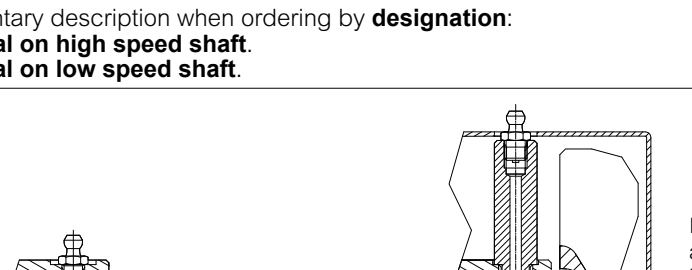

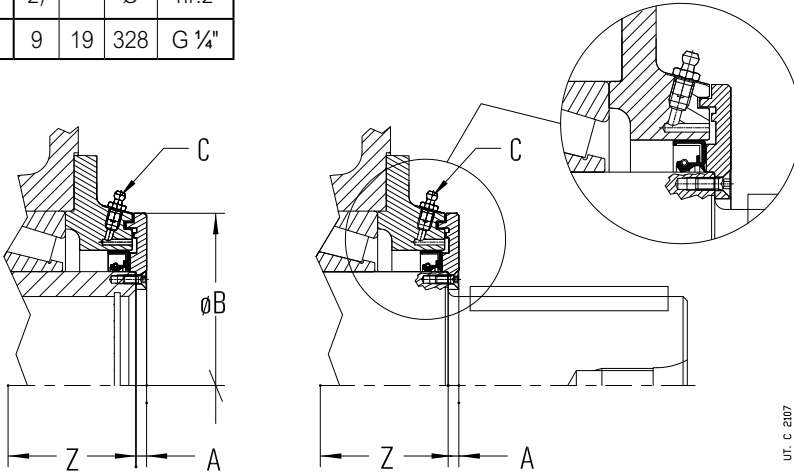
Supplementary description when ordering by **designation: oil heater** or **oil heater with thermostat**.

(26) High and low speed shaft seals

Available seal types (standard and on request) on high and low speed shafts are stated in the following table.

- Acrylonitrilic seal ring compound as standard; fluoro compound seal rings are available on request (e.g.: for high temperatures, for aggressive environments or for high rotation speeds, etc.); specify in the designation: **fluoro compound seal**.
- The **high speed shaft double seal** is usually not advised as the increased heating reduces the seal life.
- In case of **double seal**, the external seal ring can be mounted on the contrary (e.g. water jets); specify in the designation: external ring mounted on the contrary.
- The design **high speed shaft seal with labyrinth and greaser** can be supplied only after technical feasibility evaluation by Rossi S.p.A.: consult us.
- The **hollow shaft with shrink disc** (see ch. 30 (6)) can be supplied with labyrinth seal only on shrink disc **opposite side**; in this case, it is necessary to foresee «**hollow low speed shaft protection with shrink disc**» (see ch. 30 (7)); when this design is not available, consult us.

For the supplementary description when ordering by **designation**, see table.

Seal type	Scheme												
Standard													
Double seal on high speed shaft Quite polluting environment and/or outdoor													
Low speed shaft double seal Quite polluting environment and/or outdoor	 <p>Supplementary description when ordering by designation: double seal on high speed shaft. double seal on low speed shaft.</p>												
High speed shaft seal with labyrinth and grease feeder («taconite») Very polluting environment (e.g.: mining industry)	 <p>It may not be always available in the bevel helical design with fan. Please consult us.</p> <p>Supplementary description when ordering by designation: high speed shaft seal with labyrinth and grease feeder.</p>												
Low speed shaft double seal with labyrinth and grease feeder («taconite») Very polluting environment (e.g.: mining industry)	<table border="1" data-bbox="383 1400 734 1512"> <thead> <tr> <th>Gear reducer size</th> <th>A</th> <th>B</th> <th>C</th> </tr> </thead> <tbody> <tr> <td>2)</td> <td></td> <td>Ø</td> <td>nr.2</td> </tr> <tr> <td>400, 401</td> <td>9</td> <td>19</td> <td>328 G ¼"</td> </tr> </tbody> </table>  <p>Supplementary description when ordering by designation: low speed shaft seal with labyrinth and grease feeder.</p>	Gear reducer size	A	B	C	2)		Ø	nr.2	400, 401	9	19	328 G ¼"
Gear reducer size	A	B	C										
2)		Ø	nr.2										
400, 401	9	19	328 G ¼"										

- 1) The labyrinth disc overhangs from A dimension and from shaft shoulder; the working length of low speed shaft end will be therefore equal to E - A (for dimension C and E see ch. 26 and 28); for dimension Z see ch. 30 (1), (3).
- 2) Values valid for hollow shaft (with keyway or shrink disc).

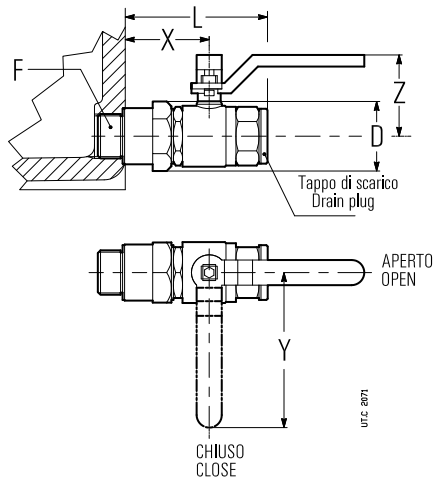
(27) Magnetic plug

Oil drain magnetic plug in order to reduce lubricant pollution and to increase the maintenance intervals.

In presence of oil drain tap (28) the oil drain magnetic plug is mounted in a second drain hole on housing and not in the tap.

Additional description when ordering by **designation: oil drain magnetic plug.**

(28) Oil drain tap

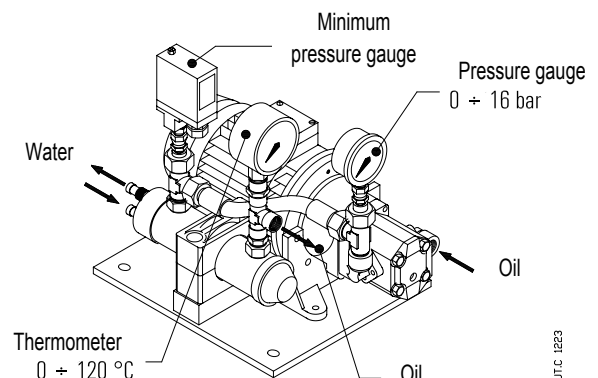
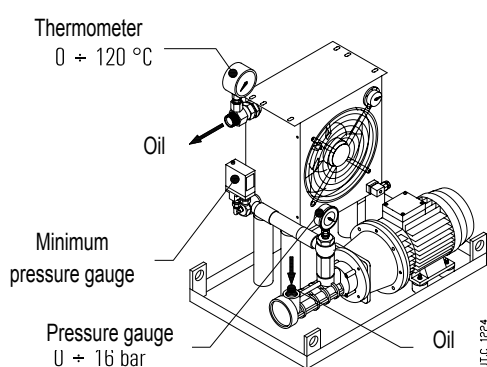


Gear reducer size	F	D	L	X	Y	Z
400, 401	G 1"	46	106	66	115	60

Accessory supplied already fitted.

Additional description when ordering by **designation: oil drain tap**

(29) Independent cooling unit



Additional cooling device in the event that the other forced cooling systems are not sufficient anymore for the dissipation of thermal power produced by gear reducer during operation (see ch. 22).

Including:

- a **oil/air heat exchanger** (O/A; with thermostat 0 ± 90 °C) or **oil/water** (O/W);
- one **motor pump**: screw pump with fluoro rubber seals (gear pump for UR O/W4 \pm UR O/W 21); 4 pole motor B3/B5 (three-phase 230 Y400 V 50 Hz); motor-pump connection with coupling;
- a **motor fan** (O/A) (three-phase supply 230 Y400 V 50 Hz or single phase supply 230 V 50, 60 Hz, see table on following page); 2-poles motor (UR O/A 5 and 7) and 4-poles motor (UR O/A 10 ... 46);
- one **analog manometer** (0 ± 16 bar) mounted between pump and exchanger;
- one **analog thermometer** (0 ± 120 °C) mounted at exchanger output;
- one **minimum pressure gauge** (with exchange contacts) mounted between pump and exchanger;
- one **supporting frame** with nameplate.

On request, several accessories are at disposal (supplied separately, assembly is Customer's responsibility) in order to satisfy all functionality and safety needs.

- **oil temperature probe Pt100**;
- **2-threshold signalling device CTN03** (necessary also the oil temperature probe Pt100) for the mounting to DIN EN 50022;
- **3-threshold signalling device CTN10** (necessary also the oil temperature probe Pt100) for the mounting to DIN EN 50022;
- **bi-metal type thermostat**;
- **flow gauge**;
- **filter** (with optical-electric blockage warning and one or two breathers M60).

Connections realized by flexible pipes (type SAE 100 R1, maximum length 2 m) between gear reducer and cooling unit and the assembly of accessories and signalling devices are Buyer's responsibility.

For the heat exchanger power required by the independent cooling unit:

$$P_s \geq (P_1 - P_{tN} \cdot f_{t1} \cdot f_{t2} \cdot f_{t3} \cdot f_{t4} \cdot f_{t5}) \cdot (1 - \eta) \cdot K_1$$

where:

P_s nominal power of unit [kW], i.e. the power dissipable with hot oil at approx. 80 °C and cooling air at 40 °C (O/A) or cooling water at 20 °C (O/W) with stated capacity (see following table);

P_1 power at gear reducer input [kW] (consider the power installed when being uncertain about the power absorbed).

P_{tN} nominal thermal power of gear reducer [kW] (see ch. 22);

f_{t1} thermal factor according to input speed (see ch. 22);

f_{t2} thermal factor according to ambient temperature (see ch. 22);

f_{t3} thermal factor according to mounting position (see ch. 22);

f_{t4} thermal factor according to altitude (see ch. 22); for UR O/A it is necessary to derate also the exchanger power: multiply P_s by 0,85 (by 1 000 ÷ 2 500 m above sea level) or by 0,71 (by 2 500 ÷ 5 000 m above sea level);

f_{t5} thermal factor according to air speed on the housing (see ch. 22);

η gear reducer efficiency (see ch. 24);

$K_1 = 1,18$ takes into account the decrease of the exchanger efficiency due to dirt on the external surface

Oil/air unit (UR O/A)

Designation	P_s kW	Exchanger	Oil motor pump		Motor fan		Oil connections		Exchanger capacity dm ³	Mass kg	
			motor 3~ kW	load dm ³ /min	motor kW	load m ³ /h	Intake	delivery			
UR O/A 5	5	AP 300E	1,5	30	0,12	1~	900	1" (1"1/4) ²⁾	1" (1"1/4) ²⁾	2	60
UR O/A 7	7	AP 300/2E	1,5	30	0,12	1~	1300			3,6	65
UR O/A 10	10	AP 430E	1,5	30	0,21	3~	2750			3,6	70
UR O/A 13	13	AP 430/2E	1,5	30	0,18	3~	2700			5,5	75
UR O/A 16	16	AP 580 EB	2,2	56	0,18	3~	3500			15	96
UR O/A 21	21	AP 680 EB	2,2	56	0,69	3~	6300			16	118
UR O/A 26	26	AP 730 EB	2,2	56	0,69	3~	7450	1" 1/4	1" 1/2 (1") ¹⁾	16	127
UR O/A 30	30	AP 730 EB	3	80	0,69	3~	7450			16	127
UR O/A 40	40	AP 830 EB	2,2	56	0,81	3~	9500			20	140
UR O/A 46	46	AP 830 EB	3	80	0,81	3~	9500			20	140

1) Connection for UR O/A 16 delivery.

2) Connection for the delivery in case of filter.

Oil/water unit (UR O/W)

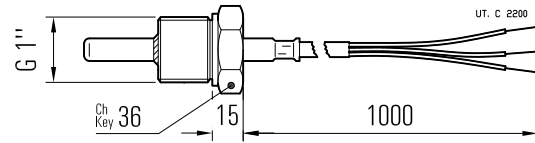
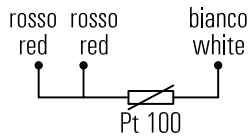
Designation	P_s kW	Exchanger	Oil motor pump		Water		Oil connections		Capacity exchanger dm ³	Mass kg
			motor 3~ kW	load dm ³ /min	load dm ³ /min	connect.	Intake	delivery		
UR O/W 4	4	T60CB1	0,37	16	≥ 8 (< 30)	Ø 12	G 1/2"	G 1/2"	0,4	13
UR O/W 6	6	T60CB2	0,37	16	≥ 10 (< 30)	Ø 12	G 1/2"	G 1/2"	0,6	15
UR O/W 9	9	T80CB2	0,55	16	≥ 16 (< 30)	Ø 12	G 1/2"	G 1/2"	1	18
UR O/W 13	13	MS84P2	1,1	30	≥ 25 (< 45)	G 1/2"	G 3/4"	G 3/4"	1	31
UR O/W 21	21	MS134P1	1,5	30	≥ 40 (< 110)	G 1"	G 3/4"	G 3/4"	3	44
UR O/W 31	31	MS134P1	2,2	56	≥ 50 (< 110)	G 1"	G 1"1/4	G 1"1/4	3	55
UR O/W 50	50	MS134P2	3	80	≥ 80 (< 110)	G 1"	G 1"1/4	G 1"1/4	4,5	70

Supplementary description when ordering by **designation**:

independent oil-air cooling unit UR O/A ... or **independent oil-air cooling unit UR O/W ...**, possibly integrated, when required by the application, with the description: «**Forced lubrication ...**» and the statement of bearings and/or gears to be lubricated.

For dimensions, accessories, **low temperature starting** and further technical details, see specific documentation.

(30) Oil temperature probe



Remote oil temperature gauge; installation instead of drain plug, or into a hole properly pre-arranged by the Buyer. The temperature gauge is realized with a thermo-resistor Pt100 having following features:

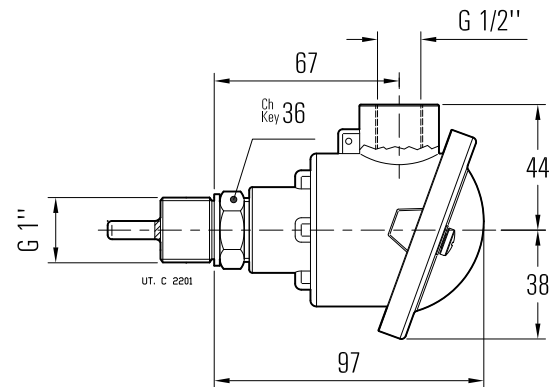
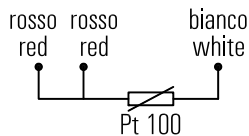
- platinum wire with 100 Ω at 0 °C according to EN 60751;
- precision class B according to EN 60751;
- operation temperature field -40 °C ÷ 200 °C;
- max current 3 mA;
- 3 wire connection according to IEC 751 (see fig. on the top);
- stainless steel probe AISI 316; diameter 6 mm;
- cable 1 m long with free end.

For the connection of probe to relevant signalling device CT03 or CT10 (on request, consult us) use a protected section cable $\geq 1,5 \text{ mm}^2$ positioned separately from power cables.

In case of gear reducer supplied **filled with oil** foresee the probe equipped with **immersion bulb** (pre-mounted in the factory), its position is to be agreed with Rossi; consult us.

Supplementary description when ordering by **designation: oil temperature probe**.

(31) Oil temperature probe with terminal box and amperometric transducer 4 ÷ 20 mA



Remote oil temperature gauge, with terminal box and amperometric transducer; installation instead of drain plug, at Buyer's responsibility. The temperature gauge is realized with a thermo-resistor Pt100 having following features:

- platinum wire with 100 Ω at 0 °C according to EN 60751;
- precision class B according to EN 60751;
- operation temperature field -40 °C ÷ 200 °C;
- 3 wire connection according to IEC 751 (see fig. on the top);
- stainless steel probe AISI 316; diameter 6 mm;
- amperometric transducer with output signal 4 ÷ 20 mA;
- alluminium terminal block (supplied without cable gland);
- IP65 protection;
- input cables G 1/2";

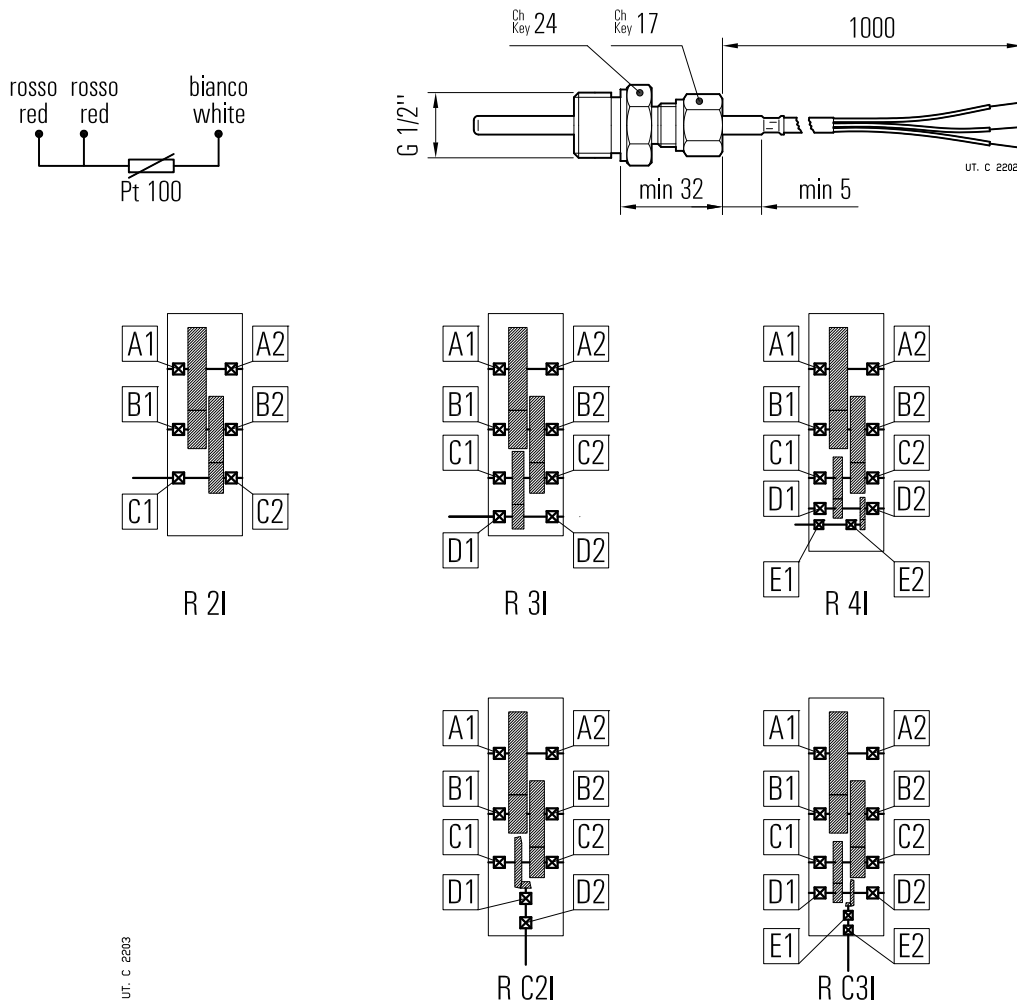
For the connection of probe to relevant signalling device CT03 or CT10 (on request, consult us) use a protected section cable $\geq 1,5 \text{ mm}^2$ positioned separately from power cables.

ATTENTION. Accessory available only after technical feasibility evaluation by Rossi; consult us.

In case of gear reducer supplied **filled with oil** foresee the probe equipped with **immersion bulb** (pre-mounted in the factory), its position is to be agreed with Rossi; consult us.

Supplementary description when ordering by **designation: oil temperature probe with amperometric transducer**.

(32) Bearing temperature probe



Probe for the remote monitoring of bearing temperature; installation (Buyer's responsibility) in a hole properly pre-arranged, next to a bearing **to be agreed during order phase** (for the most common cases, in order to facilitate the identification of bearing to be monitored, refer to following scheme).

The temperature gauge is realized with a thermo-resistor Pt100 having following features:

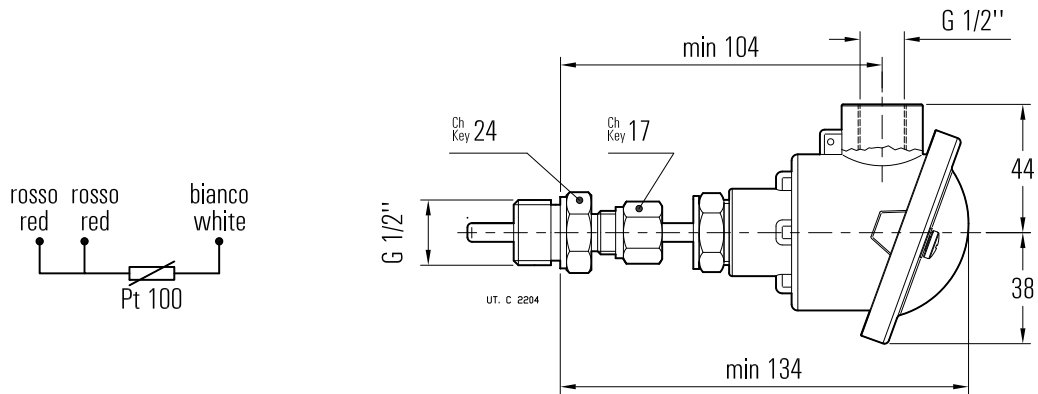
- platinum wire with 100 Ω at 0 °C according to EN 60751;
- precision class B according to EN 60751;
- operation temperature field -40 °C \div 200 °C;
- max current 40 mA;
- 3 wire connection according to IEC 751 (see fig. on the top);
- stainless steel AISI 316 flat probe; diameter 6 mm;
- stainless steel **sliding** steel .
- cable 1 m long with free end.

For the connection of probe to relevant signalling device CT03 or CT10 (on request, consult us) use a protected section cable $\geq 1,5 \text{ mm}^2$ positioned separately from power cables.

ATTENTION. Accessory available only after technical feasibility evaluation by Rossi: consult us.

Supplementary description when ordering by **designation: bearing temperature probe**

(33) Bearing temperature probe with terminal box and amperometric transducer 4 ÷ 20 mA



Probe for remote bearing temperature monitoring, with terminal box and amperometric transducer; installation (at Buyer's responsibility) in a threaded hole properly pre-arranged next to a bearing **to be agreed when ordering** (for the most common cases, in order to facilitate the identification of the bearing to be monitored, it is possible to refer to the scheme at (32)).

The temperature gauge is realized with a thermo-resistor Pt100 having following features:

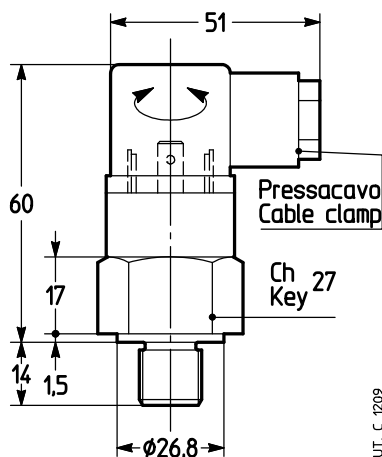
- platinum wire with 100 Ω at 0 °C according to EN 60751;
- precision class B according to EN 60751;
- operation temperature field -40 °C ÷ + 200 °C;
- 3 wire connection according to IEC 751 (see fig. on the top);
- amperometric transducer with output signal 4 ÷ 20 mA;
- aluminium terminal block (supplied without cable gland);
- IP65 protection;
- input cables G 1/2";
- stainless steel AISI 316 flat probe; diameter 6 mm;
- stainless steel **sliding** steel .
- cable 1 m long with free end.

For the connection of probe to relevant signalling device CT03 or CT10 (on request, consult us) use a protected section cable ≥ 1,5 mm² positioned separately from power cables.

ATTENTION. Accessory available only after technical feasibility evaluation by Rossi: consult us.

Supplementary description when ordering by **designation**: bearing temperature probe with **amperometric transducer**.

(34) Bi-metal type thermostat



Bi-metal type thermostat for the control of the maximum admissible oil temperature.

Thermostat specifications:

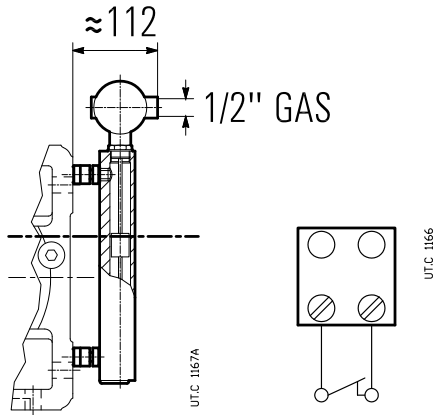
- NC contact with maximum current 10 A 240 V a.c. (5 A - 24 V d.c.);
- G 1/2" thread connection;
- Pg09 DIN 43650 cable gland;
- IP65 protection;
- setting temperature 90 °C ± 5 °C (other setting temperatures are possible, on request);
- differential temperature 15 °C.

Mounting into a threaded plug (position to be defined according to mounting position and mounting arrangement: consult us) and oil bath lubrication is Buyer's responsibility.

ATTENTION. Accessory available only after technical feasibility evaluation by Rossi: consult us.

Supplementary description when ordering by **designation**: **bi-metal type thermostat**.

(35) Oil level switch with float



It is a level control device with reed contacts in a supporting stem moved by the magnetic field activated by the magnets included in the float.

The float and the supporting stem are included in a hollow column of not magnetic material connected to the gear reducer housing through communicating vessels.

Connecting features:

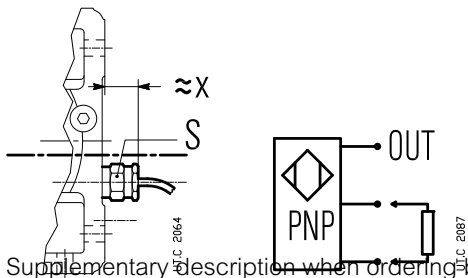
- 2 wires connection;
- maximum voltage: 350 V
- maximum current: 1.5 A
- 1 cable input 1/2" UNI 6125 – IP65;
- G 1" brass joint.

The switch is supplied ready for use; when level goes down approx 5 mm, the switch goes on and contact opens.

When filling oil in the gear reducer it is necessary to verify that device is properly calibrated. If any problems occur during this operation contact Rossi.

ATTENTION. Accessory available only after technical feasibility evaluation by Rossi S.p.A.: consult us. Supplementary description when ordering by **designation: oil level switch with float**

(36) Oil optical probe



Optical scanner, without mobile parts, for the constant control of oil level, inside the gear reducer at rest (e.g. control before starting the machine or the plant).

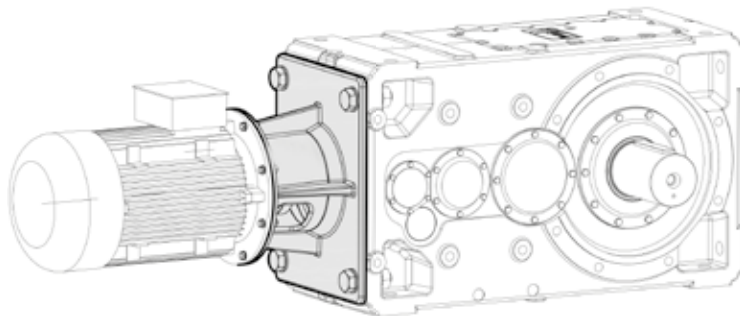
Features:

- Stainless steel probe.
- operation temperature range $-40\text{ }^{\circ}\text{C} + 125\text{ }^{\circ}\text{C}$;
- d.c. supply $12 \pm 28\text{ V}$ (other types on request; consult us);
- PNP output (other types on request, consult us), max 100 mA;
- G 1" thread connection;

Supplementary description when ordering by **designation: oil optical probe.**

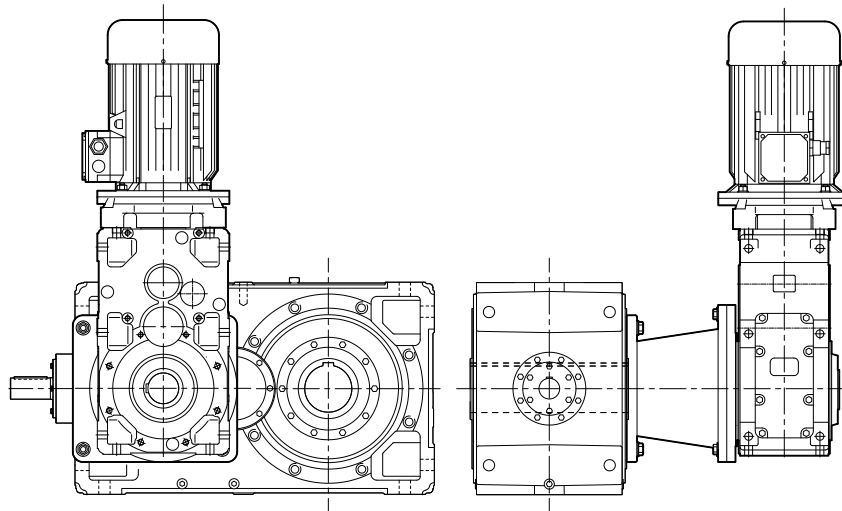
Miscellaneous

– Motor bell housings



Nodular cast iron bell housing for electric motor-gear reducer connection through flexible coupling. Available for motor size IEC 100 ... 400; on request also with NEMA motor coupling dimensions.

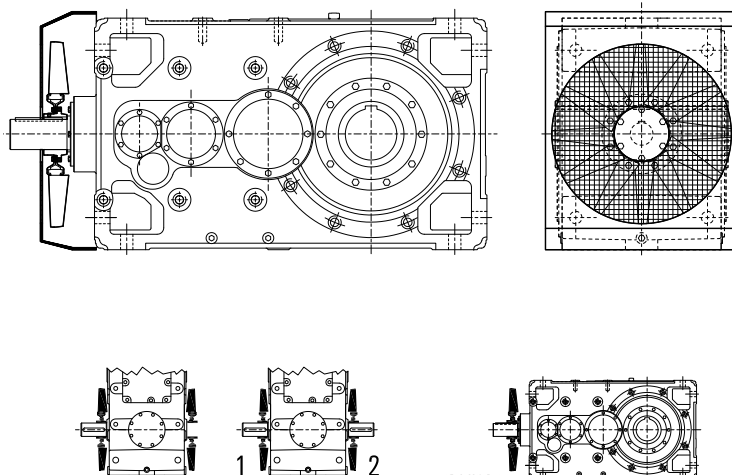
– Auxiliary drive



Additional motor drive with bevel helical gearmotor, trains of gears C1, IC1, C21, connected with main gear reducer through bell, coupling and free wheel.

UT.C 2209_Gold

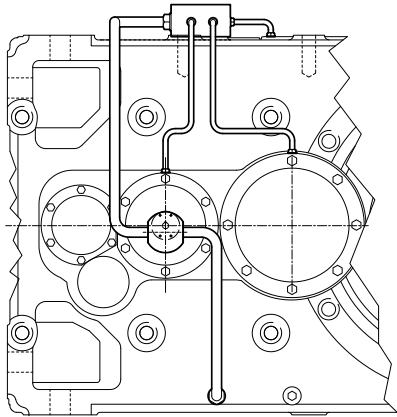
– Axial fan cooling



Forced cooling by axial fan for applications with one direction of rotation only (to be specified when ordering); for thermal factor values f_{T1b} , see ch. 22. The possible designs are those illustrated below. Dimensions on request: consult us.

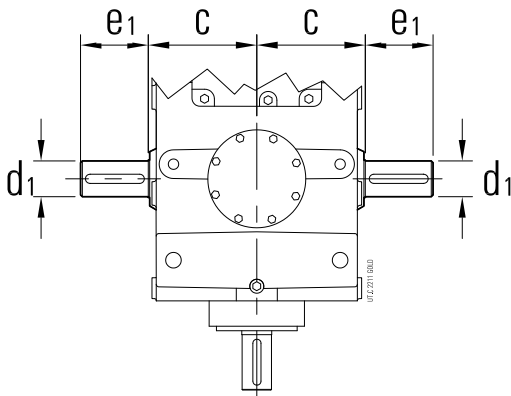
UT. C 2210 Gold

– Pump driven by gear reducer



External gear pump driven directly by a gear reducer high speed shaft for the forced lubrication of bearings and/or gears. Self-priming operation, with non-return valve, single acting (one-way applications) or double-acting (bidirectional applications); absence of electrical power; flow rate proportional to the shaft rotational speed of the gear unit. Dimensions and other specifications, on request: consult us.

– Additional intermediate shaft overhung for bevel helical gear reducers



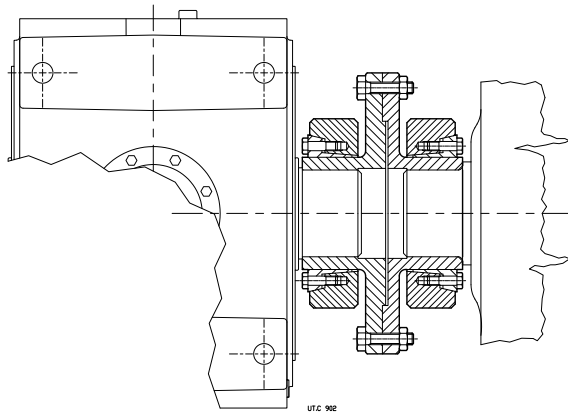
Train of gears	u_{N1} 1)	Nominal transmission ratio i_N	Shaft end dimensions		
			c	d_1 \emptyset	e_1
C2I	2	$i_N \leq 25$	335	90	170
	2,5	$28 \leq i_N \leq 40$			
	3,15	$45 \leq i_N \leq 50$			
	4	$56 \leq i_N \leq 80$			
	5	$i_N \geq 90$			
C3I	2	–	325	65	140
	2,5	$i_N = 125$			
	3,15	$160 \leq i_N \leq 200$			
	4	$i_N \geq 250$			
	5	–			

1) Nominal transmission ratio of first reduction stage.

Bevel helical gear reducers can be equipped with a (single or double) shaft overhung on wheel shaft of first reduction stage (bevel wheel) in order to allow the realization of combined units or the application of auxiliary devices (i.e.: external backstop device). Main dimensions of shaft end as per following table (for other dimensions see ch. 24).

In the table are stated the nominal transmission ratios of first reduction stage – according to total transmission ratios – with which it is possible to calculate the rotation speed of the auxiliary overhung.

– Low speed shaft with flange coupling for shaft mounting arrangements



Low speed cylindrical shaft without keyway for application of a flange coupling for drive unit shaft mounting.

– Pre-arrangement for vibration monitoring devices

Position, number and dimension of holes to be agreed when ordering.

– Gear reducer design ATEX II 2 GD and 3 GD (sizes 400, 401)

Helical and bevel helical gear reducers and gearmotors may be supplied according to Directive ATEX in order to be used in potentially explosive atmospheres – category **2 GD** (for operation in zones 1 (gas), 21 (dust): **probable** presence of explosive atmosphere) and **3 GD** (for operation in zones 2 (gas), 22 (dust): **improbable** presence of explosive atmosphere) – with surface temperature $T \leq 135 \text{ °C}$ (T4).

These are the main variations of the product:

- fluoro-rubber seal rings;
- metal plugs; filler plug with filter and valve;
- special name plate with ATEX mark and indication of application limits;
- external protection based on a water-soluble dual-compound polyurethane **conductive** enamel, **color grey** RAL 7040, corrosivity class C3 ISO 12944-2;
- «ATEX instructions» manual.

For category **2 GD**¹⁾ (**quarterly control**) also:

- double seal rings on low speed shaft;
- oil temperature probe;
- possible bearing temperature probes.

Temperature range: $-20 \div +40 \text{ °C}$ ($0 \div +40 \text{ °C}$ for gear reducers supplied with bearing lubrication pump).

The «**ATEX instructions**» (with the additional documentation, if any) are **integral part of the supply of each gear reducer**; every indication stated in it must be carefully applied. Consult us if need be.

Attention. In the following cases ATEX design of gear reducer is incompatible with accessories and non-standard designs:

Gear reducer size selection

Accessory or non-standard design	Gear reducer ATEX II design	
	2 GD	3 GD
Hollow low speed shaft with shrink disc (6)	●	●
Optional paint according to cycles 3H..., 2L..., 2L... (24)	○	○
Heater (25)	○	○
Independent cooling unit (29)	–	–
Oil temperature probes (30) (31)	○	○
Bearing temperature probes (32) (33)	○	○
Bi-metal type thermostat (34)	–	–
Oil level switch with float (35)	2)	●

– Not available.

● Available.

○ Available but in ATEX design suitable for gear reducer's ATEX design and for use purpose and area.

1) **The presence of bearing lubrication pump requires one or more additional bearing temperature probes.**

2) This accessory is available for category 2 G (zone 1) only.

3) When determining f_{t1} consider a value of f_{t1a} (see page 28) **never exceeding 1.**

Determine the size of gear reducer as indicated in ch. 5 considering following additional indications:

- **maximum input speed** $n_1 \leq 1\,500 \text{ min}^{-1}$; for other input speed, consult us.
- **service factor required** determined as per ch. 3, increased by table correction factor f_{s_ATEX} (see table 1) and anyway **never lower than 1**; in presence of a hollow shaft with shrink disc (6) verify that maximum peak torque is always lower than M_{2SD} / f_{s_ATEX} (for M_{2SD} values see ch. 17(6)).
- thermal power P_t verified as per ch. 4 according to nominal thermal power P_{tN} increased by thermal factors $f_{t1}^{(1)}$... f_{t4} and f_{ATEX} corrective factor (see table 1).

Table 1 - Corrective factors for ATEX design of service factor required and of nominal thermal power

Category	f_{s_ATEX}	f_{ATEX}
2 GD	1,18	0,8 (0,71 for I and CI)
3 GD	1,06	0,9 (0,8 for I and CI)

1) When determining f_{t1} consider a value of f_{t1a} (see page 28) **never exceeding 1**

Supplementary description when ordering by **designation**²⁾:

design ATEX II ...

... 3 GD T4

... 2 GD T4 quarterly control

2) This designation, in case of gearmotor, refers to the gear reducer part only.

31 - Installation and maintenance

31.1	Safety.....	450
31.2	Application conditions and use limits.....	450
31.3	General.....	450
31.4	Shaft end of driven machine.....	451
31.5	Fitting of components to shaft end.....	452
31.6	Hollow low speed shaft.....	452
31.7	Lubrication.....	453
31.8	Gear reducer starting at low ambient temperature ($T_{amb} = T_{oil} \leq 25 \text{ }^{\circ}\text{C}$).....	453
31.9	Shaft-mounting arrangements.....	454
31.10	Tightening torque.....	454

31.1 - Safety

IMPORTANT: gear reducers and gearmotors supplied by Rossi are **components** and must be incorporated into machinery and **should not be commissioned before the machinery in which the components have been incorporated conforms to:**

- Machinery directive 2006/42/EC and subsequent updatings; in particular, possible safety guards for shaft ends not being used and for eventually accessible fan cover passages (or other) are the Buyer's responsibility;
- «Electromagnetic compatibility (EMC)» 2004/108/EC and subsequent updatings.

Attention! It is recommended to pay attention to all instructions of present handbook, all existing safety laws and standards concerning correct installation. Whenever personal injury or property damage may occur, foresee adequate supplementary protection devices against:

- release or breakage of fastening screws;
- rotation or unthreading of the gear reducer from shaft end of driven machine following to accidental breakage of the reaction arrangement;
- the accidental breakage of shaft end of driven machine.

If deviations from normal operation occur (temperature increase, unusual noise, etc.) immediately switch off the machine.

Installation

An incorrect installation, an improper use, the removing or disconnection of protection devices, the lack of inspections and maintenance, improper connections may cause severe personal injury or property damage. Therefore the component must be moved, installed, commissioned, handled, controlled, serviced and re-paired **exclusively by responsible qualified personnel specifically instructed** and have the necessary experience to **recognize** any **risks** connected with present products avoiding any possible emergencies.

Gear reducers and gearmotors of present handbook are normally suitable for installations in industrial areas: additional protection measures, if necessary, must be adopted and assured by the personnel responsible for the installation.

Attention! Components in non-standard design or with special executions or with constructive variations may differ in the details from the ones described here following and may require additional information.

Attention! For the installation use and maintenance of the **electric motor** of the possible motor-variator and/or the electric supply device (frequency converter, soft-start, etc.), and/or any optional electric devices (e.g.: independent cooling unit, etc.), consult the specific attached documentation.

If necessary, require it.

Maintenance

When operating on gear reducer or on components connected to it the machine must be at rest: disconnect motor (including auxiliary equipments) from power supply, gear reducer from load, be sure that safety systems are on against any accidental starting and, if necessary, pre-arrange mechanical locking devices (to be removed before commissioning).

Attention! During the running the gear reducers could have hot surfaces; Always wait that the gear reducer or the gearmotor to cool before carrying out any operations.

Further technical documentation can be downloaded from our website www.rossi-group.com.

31.2 - Application conditions and use limits

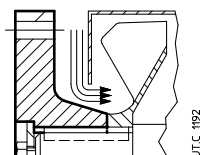
Gear reducers are designed for **industrial applications according to name plate data**, when no vibrations (permissible vibration velocity: $v_{\text{eff}} < 3,5 \text{ mm/s}$ for $P_1 \leq 15 \text{ kW}$, $v_{\text{eff}} < 4,5 \text{ mm/s}$ for $P_1 > 15 \text{ kW}$), no nuclear radiations and important magnetic fields, with **ambient temperature $-20 \div +40 \text{ }^\circ\text{C}$** (with peaks at $+50 \text{ }^\circ\text{C}$), with air velocity $\geq 1,25 \text{ m/s}$, maximum altitude 1 000 m, and max relative humidity 80 % .

For continuative ambient temperature higher than $40 \text{ }^\circ\text{C}$ or lower than $-20 \text{ }^\circ\text{C}$ consult us.

31.3 - General

Be sure that the structure on which gear reducer or gearmotor is fitted is plane, levelled and sufficiently dimensioned in order to assure fitting stability and vibration absence, keeping in mind all transmitted forces due to the masses, to the torque, to the radial and axial loads.

Position the gear reducer or gearmotor so as to allow a free passage of air for cooling both gear reducer and motor (especially at gear reducer and motor fan sides).



If there is fan on the gear reducer verify that there is sufficient space allowing for adequate circulation of cooling air also after fitting coupling protection. If a coupling protection is fitted, smooth the coupling hub, if necessary.

Avoid: any obstruction to the air-flow; heat sources near the gear reducer that might affect the temperature of cooling-air and of gear reducer for radiation; insufficient air recycle or any other factor hindering the steady dissipation of heat.

Mount the gear reducer so as not to receive vibrations.

When external loads are present use pins or locking blocks, if necessary.

When fitting gear reducer and machine it is recommended to use **locking adhesives** such as LOCTITE on the fastening screws (also on flange mating surfaces).

For outdoor installation or in a hostile environment protect the gear reducer or gearmotor with anticorrosion paint. Added protection may be afforded by water-repellent grease (especially around the rotary seating of seal rings and the accessible zones of shaft end).

Gear reducers should be protected wherever possible, and by whatever appropriate means, from solar radiation and extremes of weather; weather protection **becomes essential** when high or low speed shafts are vertically disposed.

For ambient temperatures higher than 40 °C or lower than 0 °C, consult us.

If overloads are imposed for long periods or if shocks or danger of jamming are envisaged, then motor-protection, electronic torque limiters, fluid couplings, safety couplings, control units or other similar devices should be fitted.

Attention! Bearing life, good shaft and coupling running depend on alignment precision between the shafts. Carefully align the gear reducer with the motor and the driven machine (with the aid of shims if need be), interposing flexible couplings whenever possible.

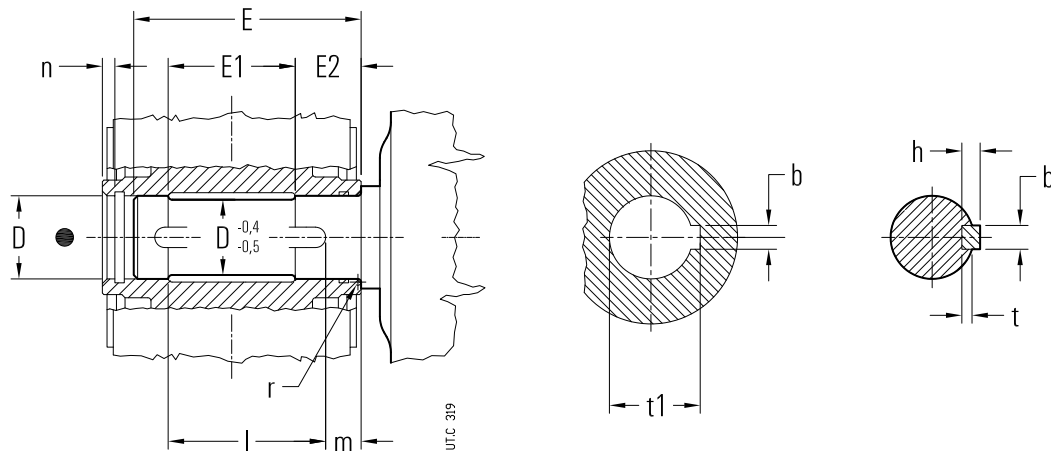
Whenever a leakage of lubricant could cause heavy damages, increase the frequency of inspections and/or envisage appropriate control devices (e.g.: remote oil level gauge, lubricant for food industry, etc.).

In polluting surroundings, take suitable precautions against lubricant contamination through seal rings or other.

31.4 - Shaft machine of driven machine

Dimensions of **machine shaft end**, which the gear reducers's hollow shaft is to be fitted to, are those recommended in the table and shown in the figure.

Important: the shoulder diameter of the driven machine shaft end abutting with the gear reducer must be at least $(1,18 \div 1,25) \cdot D$.



Gear reducer size	Hollow shaft		Shaft end of driven machine						Parallel key			Keyway				
	D	n	E	E ₁	E ₂	m	r	b	x	h	x	l	b	t	t ₁	
	∅ H7 / h6, j6		2)		2)	1) 2)			h9		h11		H9 _{hub} N9 _{shaft}	shaft	hub	
400, 401	200	14	620	300	165	130	10	5	45	x	25	x	600	45	15	210,4

1) Values valid for **R 41**.

2) In presence of «Low speed shaft seal with labyrinth and grease feeder» (ch. 30 (26)) it is necessary to increase the dimension E (E₂) of quantity A stated in the table on ch. 30 (26).

31.5 - Mounting of components on high and low speed shaft

Generally, it is recommended to machine the hole of parts keyed onto shaft end, tolerance H7. For high speed shaft end with $D \geq 55\text{mm}$, tolerance can be G7, provided that load is uniform and light. Further data according to the table «High and low speed shaft end» (ch. 24).

Before mounting, thoroughly clean mating surfaces with proper antirust products, and lubricate against seizure and fretting corrosion.

With hollow low speed shaft with **shrink disc on machine opposite side** it is necessary to protect the cylindrical portion of machine shaft end on **shrink disc opposite side** using adequate products against fretting corrosion.

Installation and removal operations should be carried out with the aid of jacking screws and pullers using the tapped hole at the shaft butt-end (see table in fig. 2) taking care to avoid impacts and shocks which may irreparably damage the bearings, the circlips or other parts or cause sparks; for H7/m6 and K7/j6 fits it is advisable that the part to be keyed is preheated to a temperature of $80 \div 100 \text{ }^\circ\text{C}$.

The couplings having a tip speed on external diameter up to 20 m/s must be statically balanced; for higher tip speeds they must be dynamically balanced.

Where the transmission link between gear reducer and machine or motor generates shaft end loads, ensure that: loads do not rise above catalog values:

- loads do not rise above the values stated at ch. 29 and loads do not rise above the values of the application design;
 - transmission overhang is kept to a minimum;
 - drive-chains should not be tensioned (if necessary – alternating loads and/or motion – foresee suitable chain tighteners); if the peripheral speed of the chain is greater than 1 m/s it is necessary to install proper malfunction markers such as aligning sensors, etc.
 - in the gear transmission there is an adequate gear mesh ($\approx 0,03 \div 0,04 \cdot m$) between pinion and rack (bushing).
 - drive-belts should not be over-tensioned.
- For splined couplings apply adequate products against oxydation.

31.6 - Hollow low speed shaft

In order to have an easier installing and removing, proceed as per the drawings a, b, respectively.

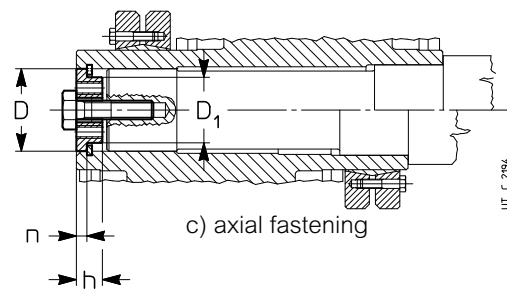
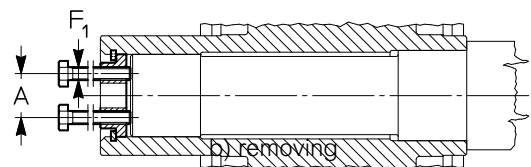
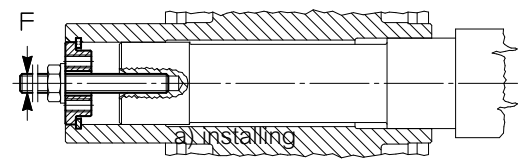
For the axial fastening it is possible to adopt the system as per fig. c, d. When shaft end of driven machine has no shoulder, a spacer may be located between the retaining ring and the shaft end itself.

The machine shaft end must be as stated at ch. 31.4 (ch. 30 (5) and 30 (6) in case of stepped hollow low speed shaft or shrink disc). For vertical ceiling-type mounting, contact us.

On request it is possible to supply (ch. 30 (20)) a washer for the mounting, disassembling and the axial fastening of gear reducer. Parts in contact with the retaining ring must have sharp edges. When tightening the bolt, we recommend the use of a locking adhesive LOCTITE 601.

Whenever **personal injury** or **property damage** may occur, foresee **adequate supplementary protection devices against:**

- **the rotation or unthreading of gear reducer** from machine shaft end following to accidental breakage of the reaction arrangement;
- **accidental breakage of shaft end of driven machine.**



Gear reducer size	A		D		D ₁		F	F ₁	h	n	Bolt for axial fastening UNI 5737-88
	1)	1)	Ø	Ø 1)	Ø	Ø 1)					
400, 401	144	134	210	200	180	170	M30	M24	34	14	M30 × 90

1) Dimension valid for design with hollow low speed shaft with keyway.

31.7 - Lubrication

Gear pairs are oil-bath lubricated.

Bearings are either oil-bathed or splashed with the exception of the top bearings which are lubricated with a pump (see ch. 30 (19)) or lubricated «for life» with grease (with or without NILOS ring according to speed).

Gear reducers are supplied **without oil**; before putting into service, fill to the specified level with **mineral oil** with **EP** (extreme pressure) **additives**, having the ISO viscosity grade given in the table, according to ambient temperature and output speed. Under normal conditions the first and the second speed range are for train of gears **2I**, the third is for trains of gears **3I, 4I, C2I, C3I** and the fourth is for particular applications.

When it is required to increase oil change interval («long life»), the ambient temperature range, and/or to reduce oil temperature, use PAO polyalphaolefine based **synthetic oil** with **EP** (extreme pressure) **additives**, having ISO viscosity grade as indicated in the table.


For continuous duty, the use of synthetic oil is recommended in the following case of gear reducers with size and mounting position marked with ∇ (see ch. 26, 28) and bevel helical gear reducers with double extension high speed shaft. An overall guide to oil-change interval is given in the table, and assumes pollution-free surroundings. When heavy overloads are present, halve the values.

Apart from running hours:

- replace mineral oil at least each 3 years;
- replace or regenerate synthetic oil each 5 ÷ 8 years according to gear reducer size, running and environmental conditions.

Never mix different makes of synthetic oil; if oil-PAO polyalphaolefine based **synthetic oil** with **EP** (extreme pressure) **additives**, change involves switching to a type different from that used hitherto, then give the gear reducer a through clean-out.

Seal rings: duration depends on several factors such as dragging speed, temperature, ambient conditions, etc.: as a rough guide, it can vary from 3 150 to 25 000 h.

Warning: before unscrewing the filler plug with valve (symbol ) wait until the unit has cooled and then open with caution.

ISO viscosity grade
Mean kinematic viscosity [cSt] at 40 °C.

Speed n_2 min ⁻¹	Ambient temperature ¹⁾ [°C]				
	mineral oil			synthetic oil	
	-20 ÷ 0	0 ÷ 20	20 ÷ 40	-20 ÷ 0	0 ÷ 40
> 224	150	150	150	150	150
224 ÷ 22,4	150	150	220	150	220
22,4 ÷ 5,6	150	220	320	220	320
< 5,6	220	320	460	320	460

Oil temperature °C	Oil-change interval [h]	
	mineral oil	oil synthetic
≤ 65	8 000	25 000
65 ÷ 80	4 000	18 000
80 ÷ 95	2 000	12 500
95 ÷ 110 ²⁾	—	9 000

Oil list table

Manufacturer	PAO synthetic oil ISO VG 150 ... 460	Mineral Oil ISO VG 150 ... 460
ENI	Blasia SX	Blasia
ARAL	Degol PAS	Degol BG
BP	Energol EPX	Energol GR XP
CASTROL	Alphasyn EP	Alpha SP
FUCHS	Renolin Unisys CLP	Renolin CLP
KLÜBER	Klübersynth GEM4	Klüberoil GEM 1
MOBIL	Mobil SHC Gear	Mobilgear 600 XP
SHELL	Omala S4 GX / S4 GXV	Omala S2 G/ S2GV
CHEVRON	Pinnacle	Meropa
TOTAL	Carter SH	Carter EP

31.8 - Gear reducer starting at low ambient temperature ($T_{amb} = T_{oil} \leq 25 \text{ °C}$)

The **minimum** ambient temperature (matching with the oil temperature) to which it is allowed to start the gear reducer depends from lubrication system and from lubricant type.

Gear reducers with splash lubrication

The gear reducer can be started with oil/ambient temperature $\geq -20 \text{ °C}$, keeping in mind to follow all lubricant viscosity instructions as per previous paragraph («Lubrication»).

In presence of an eventual independent cooling unit with heat exchanger (but without forced lubrication), it is necessary to start the motor pump when achieving the oil temperature of 60 °C.

Gear reducers with forced bearing lubrication

In presence of forced bearing lubrication systems (s. ch. 24 and ch. 30 (8) and (9)), the gear reducer can be started only if oil temperature is $\geq 25 \text{ °C}$, respecting all lubricant viscosity instructions as per ch. 31.6.

Therefore, before starting the gear reducer it is necessary to preheat the oil bath using heaters (see ch. 30 (10)) up to achieving a temperature of 25 °C.

1) Peaks of 10 °C below and 10 °C above the ambient temperature range are acceptable. For the running at **low temperature starting** ($T_{amb} = T_{oil} \leq 25 \text{ °C}$) and **forced lubrication**, **foresee always the heater of oil pre-heating** (see ch. 31.7).

2) Values admitted only for non continuous duty.

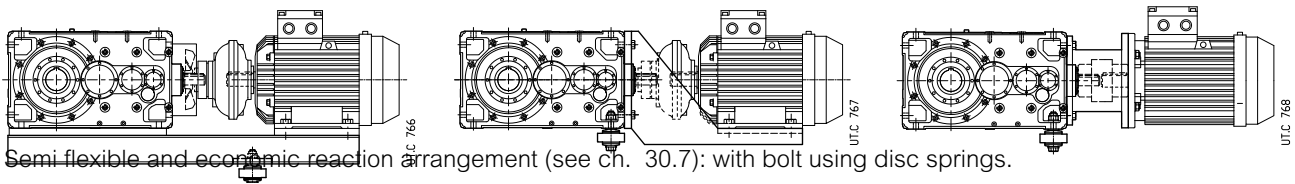
31.9 - Shaft mounting arrangements

The strength and shape of the housing offer **advantageous** possibilities for shaft mounting even – for instance – in the case of gearmotor with belt drive, hydraulic coupling, etc.

A few possible examples of shaft mounting arrangements are shown.

IMPORTANT. When shaft mounted, the gear reducer must be supported both axially and radially (also for mounting positions B3 ... B8) by the machine shaft end, as well as anchored against rotation only, by means of a reaction having **freedom of axial movement** and **sufficient clearance** in its couplings to permit minor oscillations always in evidence without provoking dangerous overloading on the gear reducer. Lubricate with proper products the hinges and the parts subject to sliding; when mounting the screws it is recommended to apply locking adhesives type LOCTITE 601.

In case of axial fastening with elastic constraint, in B3 or B8 mounting position, ensure that housing oscillation while running does not exceed the perfectly horizontal position.



Semi flexible and economic reaction arrangement (see ch. 30.7): with bolt using disc springs.

31.10 - Tightening torque

Unless otherwise stated, usually it is sufficient to use screws in class 8.8;

Before tightening the bolt be sure that the eventual centering of flanges are inserted properly

In general, the bolts are to be diagonally tightened with the maximum tightening torque.

The bolts of shrink disc must be gradually and uniformly tightened, with continuous sequence (not diagonally!) and in several phases up to the reaching of maximum tightening torque.

Before tightening, carefully degrease the screws; in the event of heavy vibrations, heavy duties, frequent drive inversions apply a proper thread-locking sealant Loxeal 23-18 or equivalent.

Screws UNI 5737-88 UNI 5931-84	Tightening torques M_s [N m]			
	Feet, flanges and tapped butt-end holes			Shrink disc
	Class 8.8	Class 10.9	Class 12.9	
M10	50	70	85	–
M12	85	120	145	–
M16	205	290	350	–
M20	400	560	680	490
M24	710	1 000	1 200	840
M30	1 380	1 950	2 350	–
M36	2 500	3 550	4 200	–
M45	5 000	7 000	8 400	–
M56	9 800	13 800	16 500	–

Page intentionally left blank.

Page intentionally left blank.

G series Drive units on swing base

Section contents

32 – Drive units on swing base	457
--------------------------------------	-----

Specifications

Drive units are composed of an **electric motor** and a **right angle shaft gearbox** both in B3 mounting position (horizontal shafts), assembled on a **swing base** made of electrically-welded and annealed steel properly sized, and connected through a coupling.

The **coupling** can be of different types: flexible, basic hydraulic, or hydraulic with simple or double delayed fill chamber. Both types of coupling can be supplied with drum pulley for **failsafe shoe brake**. On request the option with disc brake is also available.

Both the coupling and the safety or parking brake (if any) are protected with a steel **guard** fixed to the swing base.

The swing base includes the reaction point with elastic bush for shaft-mounting. The **reaction point**, complete with screws kit for fixing to the swing base, is supplied separately, and assembling is up to Customer.

Drive unit painting is realized with synthetic paint suitable for resistance to normal industrial environments, and for the application of further coats of synthetic paint; final colour blue RAL 5010 DIN 1843.

Gear reducer

The right angle shaft gear reducer belongs to the standard Rossi production program, characterized by:

- Manufacturing and product management flexibility
- High manufacturing quality standard
- High, reliable and tested performances
- Wide range of sizes and trains of gears in order to meet Customer and application needs
- Strength, accuracy and reliability enhanced through modern design, manufacturing and operating criteria
- Reduced maintenance

Performance, dimensions and design features can be found on the relevant pages of this catalog.

All the gearboxes are designed to transmit high nominal and maximum output torque, and to withstand high external loads.

The standard arrangement for this type of drive units is shaft mounted, with gearbox with hollow low speed shaft. Connection between gearbox and machine shaft is possible with keyway or shrink disc. On request it is possible to supply covers for rotating parts.

As alternative the option for shaft mounting with solid cylindrical low speed shaft, complete with rigid flanged coupling, is available.

For further details about dimensions, matching features and available options please refer to specific catalogs.

Swing base

The swing base structure is made of hollow profiles (gearbox sizes 140 ... 225) or beams (gearbox sizes 250 ... 360), appropriately combined, treated and machined.

The project is made to maximize the swing base strength, in order to optimize costs and performance.

All swing bases have been verified for bending, considering the highest load condition among the ones foreseen on this catalog.

On each swing plate there are machined surfaces for fitting and jacking screws for alignment of the components of the drive unit. All Rossi components are supplied already assembled and aligned on the swing base.

The matching point for the reaction arm has been defined in order to optimize the swing base fixing, so to minimize the stress on swing base and transmission components.

The standard supply includes the reaction point with elastic bush supplied separately (assembly is up to Customer). If necessary the complete reaction arm can be quoted and supplied, subject to agreement with Customer about characteristics and dimensions.

Selection

The motor - gear reducer combinations have been made considering a minimum service factor 1,4. For further details about the relation between service factor, nature of load and life time of the gear reducer please refer to the selection tables of this catalog.

In any case **gear reducer selection has to be realized according to descriptions and prescriptions contained in Rossi catalogs for each specific application.**

Dimensions and masses

In order to calculate the overall dimensions of the drive unit first of all it is necessary to identify type and size of the transmission components.

The drive unit has been considered as composed of two sub-groups:

- **motor sub-group**, including electric motor, coupling with brake drum (if any), brake (if any) and protection guard for coupling and brake
- **gear reducer sub-group**, including gear reducer and swing base with reaction point

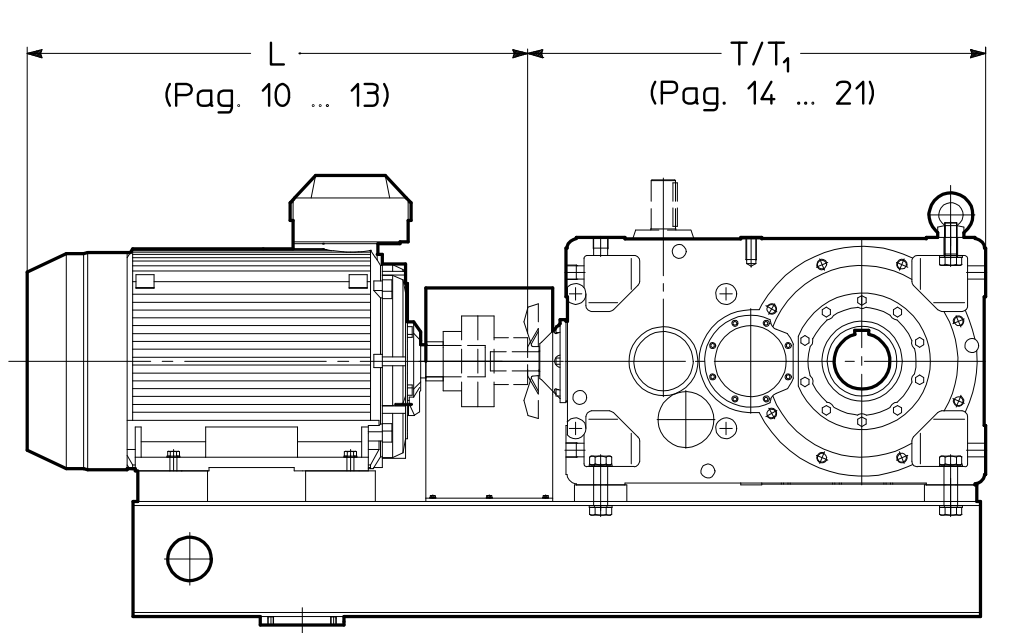
From page 460 to page 463 the motor sub-group dimensions can be found in all the available options, according to coupling type, size and type of motor.

From page 464 to page 467 the gear reducer sub-group dimensions can be found, according to train of gears and gear reducer size, and considering a possible fan fitted on the gearbox high speed shaft.

In same case, according to motor number of poles and to nominal supply frequency, a different choice of the hydraulic coupling becomes necessary and therefore A dimensions change consequently; details are given at page 468.

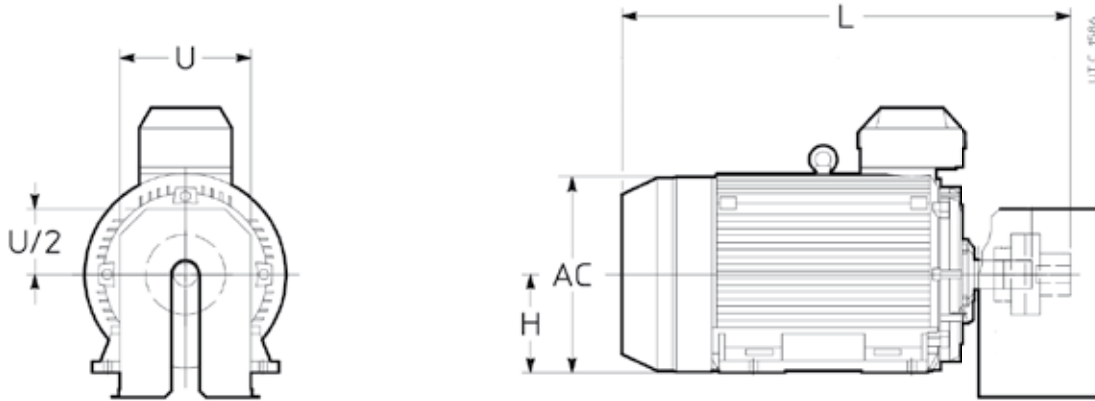
The dimensional data reported in the above mentioned two sections, combined according to picture below, allow the complete identification of the drive unit overall dimensions.

The masses stated in the dimensional tables, in both motor and gear reducer subgroups separately, are indicative, and then the total drive unit mass has to be considered only as a reference to identify the suitable and needed tools to lift the complete drive unit. **We strongly recommend to size the lifting tools with a safety margin of 25% in relation to the indicative value reported on the catalog.** Concerning the lifting please follow instructions given on page 470.

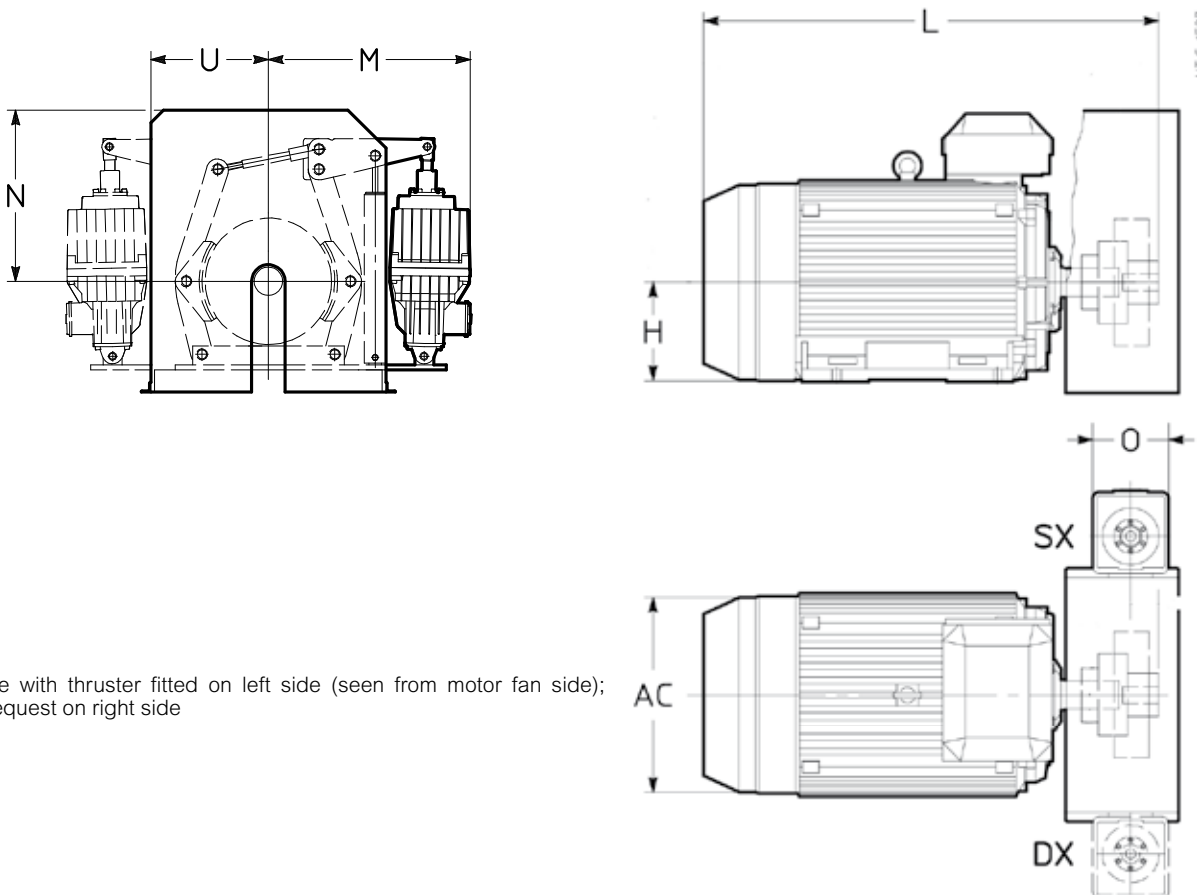


Dimensions and masses - Motor sub-group

With **flexible coupling**



With **flexible coupling** and **shoe brake**



Brake with thruster fitted on left side (seen from motor fan side);
on request on right side

Dimensions and masses - Motor sub-group

4 poles with flexible coupling

P_N		Motor	AC	H	M	N	O	U	L	Mass
50 Hz	60 Hz									
kW			Ø							kg
			~	2)					~	1)
5,5	6,6	132 4	258	132	-	-	-	190	537	60
7,5	9	132 4	258	132	-	-	-	190	537	70
9,2	11	132 4	258	132	-	-	-	190	575	80
11	13,2	160 4	314	160	427	320	160	190	720	140
15	18	160 4	314	160	427	320	160	190	720	150
18,5	22,2	180 4	314	180	427	320	160	190	731	160
22	26,4	180 4	354	180	427	320	160	190	806	180
30	36	200 4	354	200	427	393	160	260	816	230
37	44,4	225 4	411	225	474	393	160	260	923	300
45	54	225 4	411	225	502	393	190	260	923	330
55	44,4	250 4	411	250	502	393	190	260	923	370
75	90	280 4	490	280	568	412	190	260	1 062	510
90	108	280 4	490	280	568	412	190	260	1 062	580
110	132	315 4	490	315	642	542	190	330	1 112	680
132	158	315 4	604	315	642	542	190	330	1 255	970
160	192	315 4	604	315	642	542	240	330	1 255	1 050
200	240	315 4	604	315	642	542	240	330	1 366	1 250
250	300	355 4	770	355	642	542	240	330	1 679	1 950
315	378	355 4	770	355	-	-	-	440	1 700	2 000
355	426	355 4	770	355	-	-	-	440	1 900	2 200
400	480	355 4	770	355	-	-	-	440	1 900	2 350
450	540	355 4	770	355	-	-	-	440	1 900	2 450
500	600	355 4	770	355	-	-	-	440	1 900	2 550
560	672	400 4	850	400	-	-	-	440	2 155	2 850

6 poles with flexible coupling

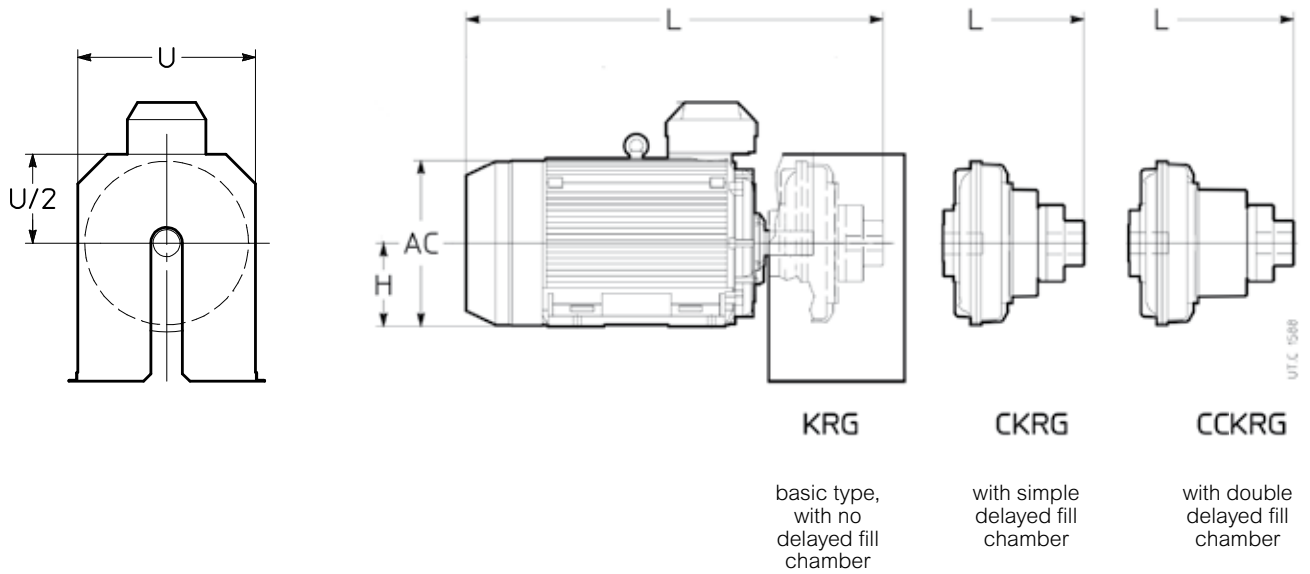
P_N		Motor	AC	H	M	N	O	U	L	Mass
50 Hz	60 Hz									
kW			Ø							kg
			~	2)					~	1)
4	4,8	132 6	258	132	-	-	-	190	537	70
5,5	6,6	132 6	258	132	-	-	-	190	575	80
7,5	9	160 6	314	160	427	320	160	190	720	130
11	13,2	160 6	314	160	427	320	160	190	720	140
15	18	180 6	354	180	474	393	160	190	806	190
22	26,4	200 6	354	200	474	393	160	260	816	230
30	36	225 6	411	225	568	412	190	260	923	350
37	44,4	250 6	411	250	568	412	190	260	923	400
45	54	280 6	490	280	568	412	190	260	1062	460
55	66	280 6	490	280	642	542	190	260	1062	560
75	90	315 6	490	315	642	542	190	330	1 112	660
90	108	315 6	604	315	642	542	190	330	1 255	940
132	158	315 6	604	315	642	542	240	330	1 255	1 100
160	192	315 6	604	315	642	542	-	330	1 366	1 200
200	240	355 6	770	355	-	-	-	330	1 679	1 750
250	300	355 6	770	355	-	-	-	440	1 700	2 000
315	378	355 6	770	355	-	-	-	440	1 900	2 450
355	426	355 6	770	355	-	-	-	440	1 900	2 500
400	480	400 6	850	400	-	-	-	440	2 155	2 850
450	540	400 6	850	400	-	-	-	440	2 155	3 000
500	600	400 6	850	400	-	-	-	440	2 155	3 250

1) Masses are indicative. In order to obtain the total mass of the drive unit add to this value the mass relative to the gear reducer sub-group.

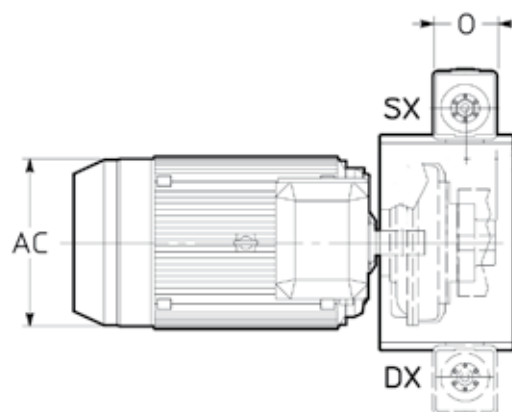
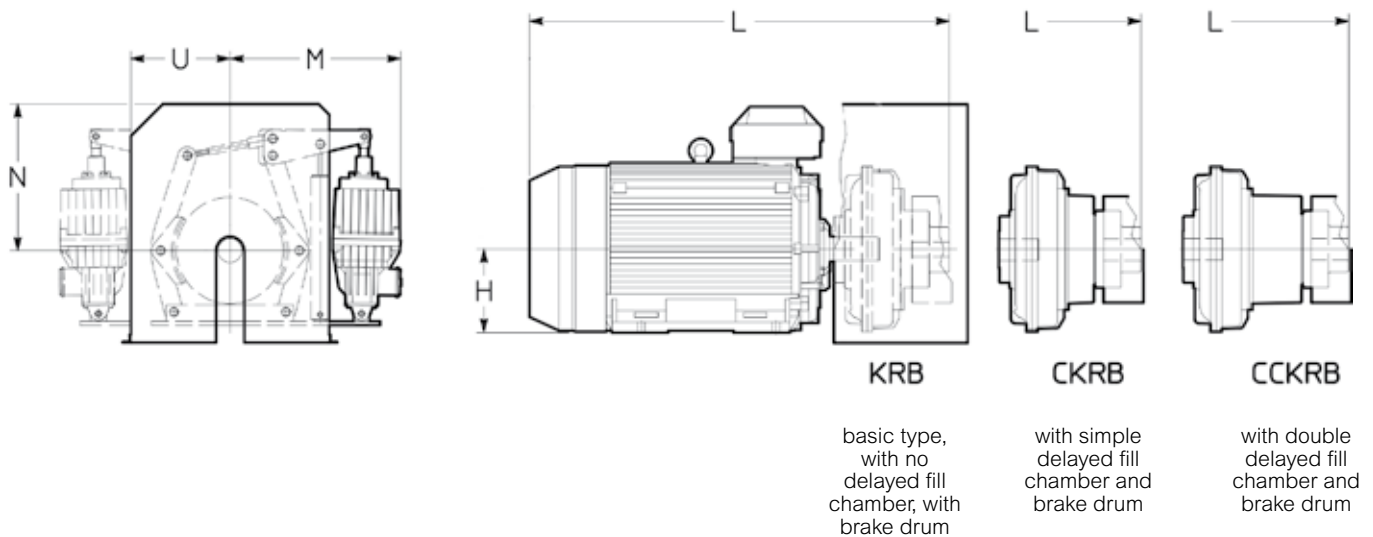
2) Tolerance: up to size 250 $\pm 0,5$ mm, for sizes > 280 ± 1 mm.

Dimensions and masses - Motor sub-group

With hydraulic coupling



With hydraulic coupling and shoe brake



Dimensions and masses - Motor sub-group

4 poles with hydraulic coupling

P_N		Motor	AC	H	M	N	O	U	L						Mass kg
50 Hz	60 Hz								KR...	CKR... 50 Hz	CCKR...	KR... 60 Hz	CKR... 60 Hz	CCKR...	
kW		∅	~	2)	1)										
5,5	6,6	132 4	258	132	-	-	-	330	631	-	-	631	-	-	80
7,5	9	132 4	258	132	-	-	-	330	631	-	-	631	-	-	90
9,2	11	132 4	258	132	-	-	-	440	678	724	-	669	-	-	100
11	13,2	160 4	314	160	427	320	160	440	793	839	-	793	839	-	120
15	18	160 4	314	160	427	320	160	440	793	839	-	793	839	-	130
18,5	22,2	180 4	314	180	427	320	160	440	793	860	-	793	860	-	140
22	26,4	180 4	354	180	427	320	160	440	868	935	-	868	935	-	170
30	36	200 4	354	200	427	393	160	440	898	958	-	898	958	-	200
37	44,4	225 4	411	225	474	393	160	440	975	1 035	-	975	1 035	-	260
45	54	225 4	411	225	502	393	190	560	1 033	1 101	1 149	1 033	1 101	1 149	390
55	44,4	250 4	411	250	502	393	190	560	1 033	1 101	1 149	1 033	1 101	1 149	420
75	90	280 4	490	280	568	412	190	560	1 181	1 261	1 341	1 181	1 261	1 341	590
90	108	280 4	490	280	568	412	190	560	1 181	1 261	1 341	1 181	1 261	1 341	660
110	132	315 4	490	315	642	542	190	660	1 181	1 261	1 341	1 181	1 261	1 341	750
132	158	315 4	604	315	642	542	190	660	1 324	1 404	1 484	1 324	1 404	1 484	1 050
160	192	315 4	604	315	642	542	240	660	1 395	1 495	1 585	1 395	1 495	1 585	1 200
200	240	315 4	604	315	642	542	240	660	1 495	1 595	1 685	1 495	1 595	1 685	1 350
250	300	355 4	770	355	642	542	240	820	1 803	1 903	1 993	1 803	1 903	1 993	2 100
315	378	355 4	770	355	-	-	-	820	1 803	1 903	1 993	1 803	1 903	1 993	2 100
355	426	355 4	770	355	-	-	-	820	2 024	2 142	2 241	2 024	2 142	2 241	2 450
400	480	355 4	770	355	-	-	-	820	2 024	2 142	2 241	2 024	2 142	2 241	2 600
450	540	355 4	770	355	-	-	-	820	2 024	2 142	2 241	2 024	2 142	2 241	2 700
500	600	355 4	770	355	-	-	-	820	2 024	2 142	2 241	2 024	2 142	2 241	2 750
560	672	400 4	850	400	-	-	-	1 050	2 288	2 406	2 505	2 259	2 377	2 476	3 100

6 poles with hydraulic coupling

P_N		Motor	AC	H	M	N	O	U	L						Mass kg
50 Hz	60 Hz								KR...	CKR... 50 Hz	CCKR...	KR... 60 Hz	CKR... 60 Hz	CCKR...	
kW		∅	~	2)	1)										
4	4,8	132 6	258	132	-	-	-	440	640	686	-	640	686	-	100
5,5	6,6	132 6	258	132	-	-	-	440	678	745	-	678	724	-	110
7,5	9	160 6	314	160	427	320	160	440	793	860	-	793	860	-	110
11	13,2	160 6	314	160	427	320	160	440	823	883	-	823	883	-	140
15	18	180 6	354	180	474	393	160	560	956	1 024	1 072	898	958	-	250
22	26,4	200 6	354	200	474	393	160	560	956	1 024	1 072	956	1 024	1 072	290
30	36	225 6	411	225	568	412	190	560	1 052	1 132	1 212	1 052	1 132	1 212	440
37	44,4	250 6	411	250	568	412	190	660	1 052	1 132	1 212	1 052	1 132	1 212	490
45	54	280 6	490	280	568	412	190	660	1 181	1 261	1 341	1 181	1 261	1 341	550
55	66	280 6	490	280	642	542	190	660	1 252	1 352	1 442	1 181	1 261	1 341	700
75	90	315 6	490	315	642	542	190	660	1 252	1 352	1 442	1 252	1 352	1 442	780
90	108	315 6	604	315	642	542	190	820	1 395	1 495	1 585	1 395	1 495	1 585	1 050
132	158	315 6	604	315	642	542	240	820	1 395	1 495	1 585	1 395	1 495	1 585	1 250
160	192	315 6	604	315	642	542	-	820	1 551	1 669	1 768	1 495	1 595	1 685	1 450
200	240	355 6	770	355	-	-	-	1 050	1 853	1 971	2 070	1 824	1 942	2 041	2 050
250	300	355 6	770	355	-	-	-	1 050	1 853	1 971	2 070	1 853	1 971	2 070	2 300
315	378	355 6	770	355	-	-	-	1 050	2 053	2 171	2 270	2 053	2 171	2 270	2 700
355	426	355 6	770	355	-	-	-	1 050	2 053	2 171	2 270	2 053	2 171	2 270	2 800
400	480	400 6	850	400	-	-	-	1 050	2 408	2 519	2 628	2 408	2 519	2 628	3 300
450	540	400 6	850	400	-	-	-	1 050	2 408	2 519	2 628	2 408	2 519	2 628	3 450
500	600	400 6	850	400	-	-	-	1 050	2 408	2 519	2 628	2 408	2 519	2 628	3 650

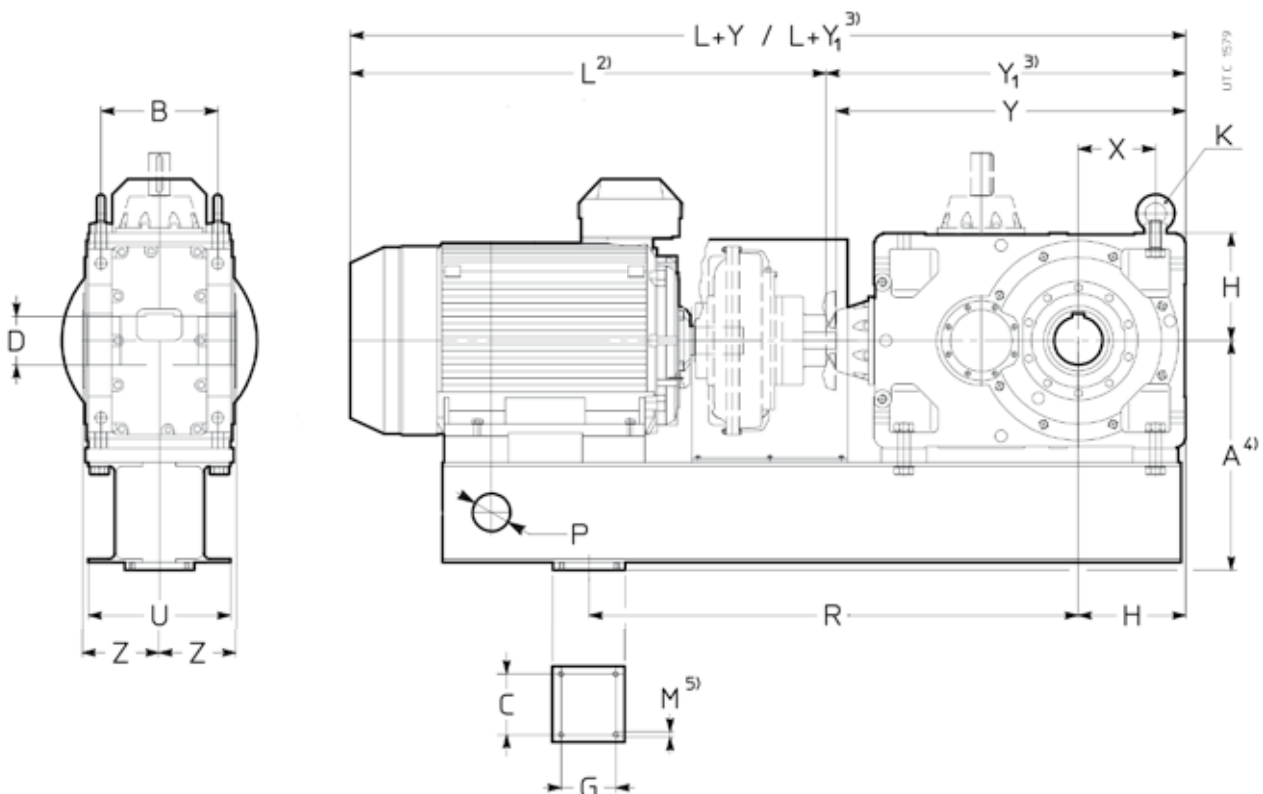
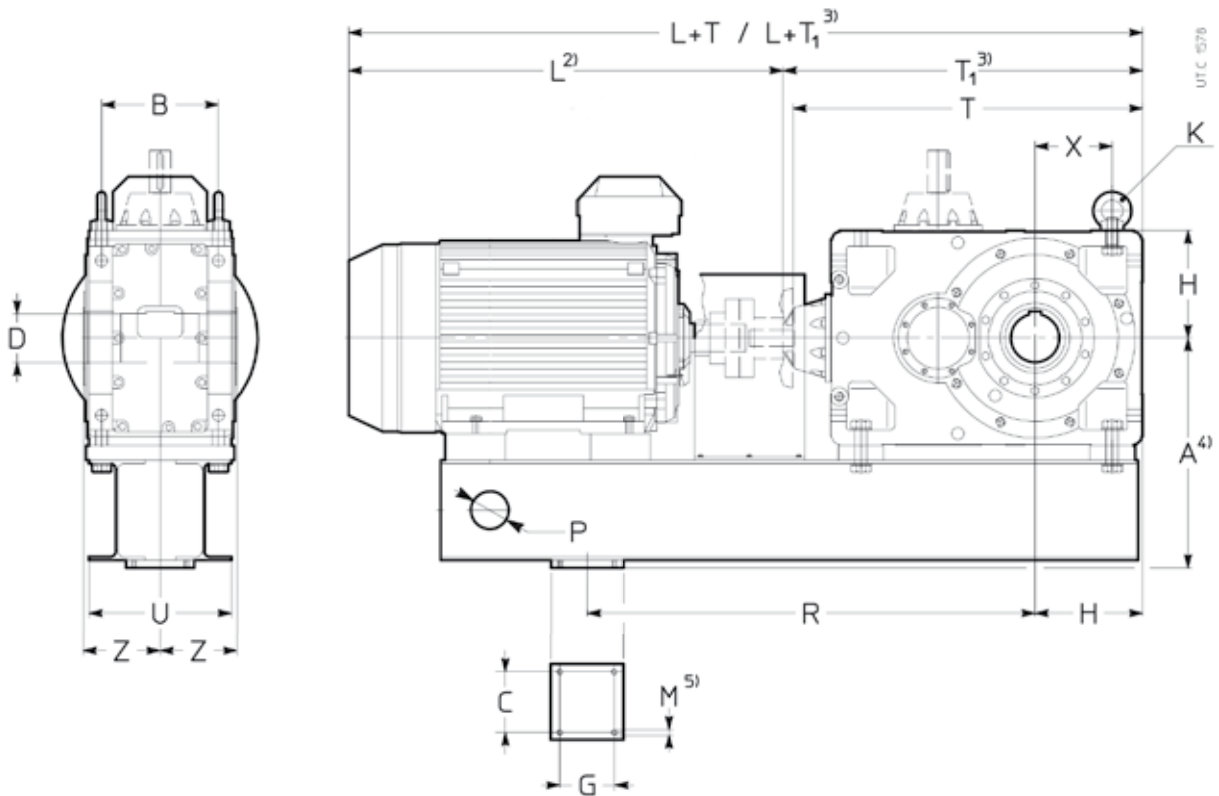
1) Masses are indicative. In order to obtain the total mass of the drive unit add the mass relative to the gear reducer sub-group.

2) Tolerance: up to size 250 -0,5mm, for sizes > 280 -1mm.

Dimensions and masses - Gear reducer sub-group

R CI 140 ... 360

With flexible coupling¹⁾



Dimensions and masses - Gear reducer sub-group

R CI 140 ... 360

Size	A	B	D ∅ H7	G	H	M	P ∅	U	Z	T	T ₁	T	T ₁	T	T ₁	Y	Y ₁	Y	Y ₁	Y	Y ₁	Mass	
																							Gear
140	160	339	162	70	160	150	M16	48	120	125	$i_N \leq 9$	$i_N = 10 \dots 16$	$i_N \geq 18$	$i_N \leq 9$	$i_N = 10 \dots 16$	$i_N \geq 18$						171	
	180		70			M16		700	106		492	507	478	478	492	507	478	478	478	478	478	181	
	200	359									492	507	478	-	492	507	478	-	-	-	181		
	225	384									492	507	478	-	492	507	478	-	-	-	181		
												492	507	478	-	492	507	478	-	-	-	186	
160	132	374	201	80	160	180	M16	60	150	136	$i_N \leq 8$	$i_N = 9 \dots 16$	$i_N \geq 18$	$i_N \leq 8$	$i_N = 9 \dots 16$	$i_N \geq 18$						263	
	160		100			M20		900	126		-	-	576	576	-	-	566	581	566	581	566	273	
	180										-	-	566	581	566	-	566	581	566	581	566	287	
	200	394									-	-	566	581	566	-	566	581	566	581	566	288	
	225	419									606	606	566	581	-	616	616	566	581	-	-	298	
	250	444									606	606	566	581	-	586	606	566	581	-	-	303	
	280	474									596	606	566	581	-	586	606	566	581	-	-	319	
												596	606	566	581	-	586	606	566	581	-	-	319
180	180	419	201	90	160	180	M16	60	150	150	$i_N \leq 9$	$i_N = 10 \dots 16$	$i_N \geq 18$	$i_N \leq 9$	$i_N = 10 \dots 16$	$i_N \geq 18$						312	
	200		100			M20		900	126		-	-	586	601	586	-	586	601	586	601	586	312	
	225										626	626	586	601	586	-	606	626	586	601	586	322	
	250	444									626	626	586	601	-	606	626	586	601	-	-	340	
	280	474									616	626	586	601	-	606	626	586	601	-	-	360	
200	160	454	250	100	190	225	M16	80	180	167	$i_N \leq 8$	$i_N = 9 \dots 16$	$i_N \geq 18$	$i_N \leq 8$	$i_N = 9 \dots 16$	$i_N \geq 18$						437	
	180		130			M24		1 100	160		-	-	717	707	-	-	707	707	707	707	707	453	
	200										-	-	707	707	-	-	707	707	707	707	707	453	
	225										-	-	727	727	707	-	737	737	707	727	707	466	
	250	479									-	-	727	727	707	-	707	727	707	727	707	471	
	280	509									740	750	717	727	707	-	730	750	707	727	707	494	
	315	544									730	750	707	727	-	730	750	707	727	-	-	530	
												730	750	707	727	-	730	750	707	727	-	-	530
225	225	509	250	110	190	225	M16	80	180	180	$i_N \leq 9$	$i_N = 10 \dots 16$	$i_N \geq 18$	$i_N \leq 9$	$i_N = 10 \dots 16$	$i_N \geq 18$						507	
	250		130			M24		1 100	160		-	-	732	732	-	-	732	752	732	752	732	516	
	280										765	775	742	752	732	-	755	775	732	752	732	538	
	315	544									755	775	732	752	-	755	775	732	752	-	-	574	
250	180	600	310	125	230	280	M20	100	380	206	$i_N \leq 10$	$i_N = 11,2 \dots 16$	$i_N \geq 18$	$i_N \leq 10$	$i_N = 11,2 \dots 16$	$i_N \geq 18$						773	
	200		250			M30		1 300	198		-	-	917	917	-	-	917	917	917	917	917	773	
	225										-	-	907	907	-	-	917	917	917	917	917	786	
	250										-	-	907	907	-	-	917	917	917	917	917	794	
	280										-	-	897	912	897	907	-	887	912	887	907	824	
	315	635									930	935	887	912	887	907	940	940	887	912	887	907	880
	355	675									920	935	-	-	-	-	910	935	-	-	-	921	
												920	935	-	-	-	-	910	935	-	-	-	921
280	280	675	310	140	230	280	M20	100	380	222	$i_N \leq 11,5$	$i_N = 12,5 \dots 16$	$i_N \geq 18$	$i_N \leq 11,5$	$i_N = 12,5 \dots 16$	$i_N \geq 18$						901	
	315		250			M30		1 300	198		-	-	927	937	-	-	917	937	917	937	917	957	
	355										960	965	917	942	917	937	940	965	917	942	917	937	998
320	315	755	386	160	230	355	M20	100	450	254	$i_N \leq 10$	$i_N = 11,2 \dots 16$	$i_N \geq 18$	$i_N \leq 10$	$i_N = 11,2 \dots 16$	$i_N \geq 18$						1 430	
	355		250			M36		1 600	255		1 195	1 195	1 175	1 187	1 175	1 187	1 185	1 187	1 185	1 187	1 185	1 187	1 483
360	315	850	386	180	230	355	M20	100	450	273	$i_N \leq 11,5$	$i_N = 12,5 \dots 16$	$i_N \geq 18$	$i_N \leq 11,5$	$i_N = 12,5 \dots 16$	$i_N \geq 18$						1 569	
	355		250			M36		1 600	255		1 235	1 235	1 205	1 227	1 215	1 227	1 225	1 227	1 195	1 227	1 195	1 227	1 622

1) Dimensions are valid also with shoe brake.

2) For L dimension see page 461 (motor sub-ground).

3) With fan cooling.

4) Dimensions to be checked at page 468 according to train of gear and power supply.

5) Working length of thread 2-M.

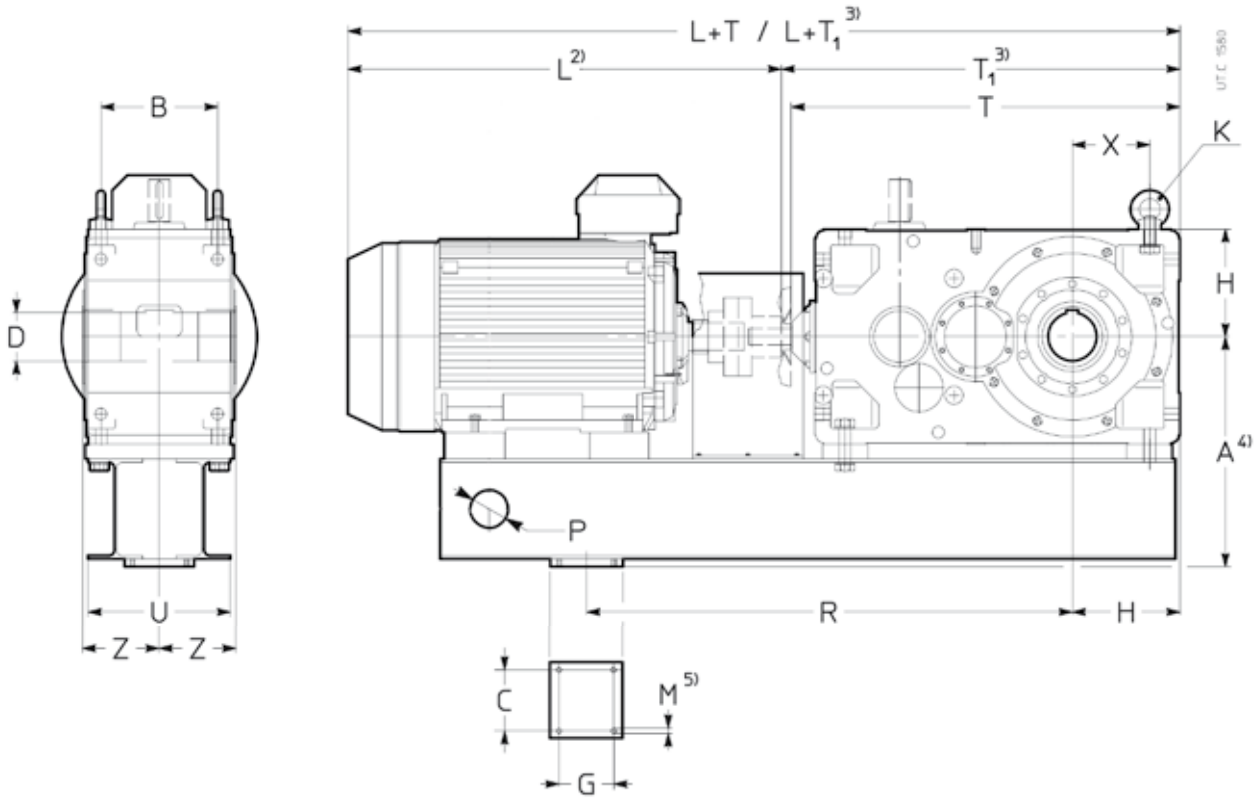
6) In case of seals protected with labyrinth cover and greaser Z dimensions can be increased up to 15 mm, according to gear reducer size, consult us.

7) Masses are indicative. In order to obtain the total mass of the drive unit add the mass relative to the motor sub-group.

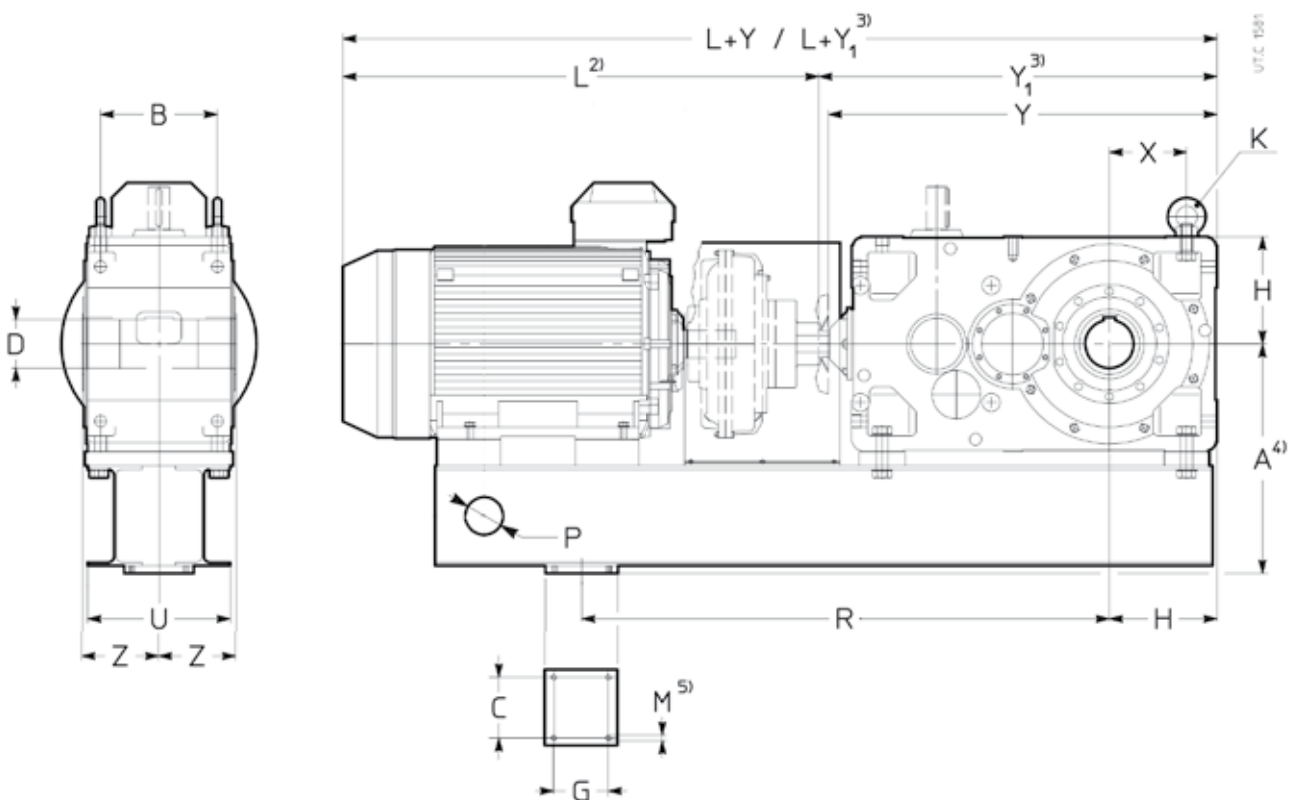
Dimensions and masses - Gear reducer sub-group

R C2I 140 ... 360

With **flexible coupling**¹⁾



With **hydraulic coupling**¹⁾



Dimensions and masses - Gear reducer sub-group

R C2I 140 ... 360

Gear	Size		A	B	D	G	H	M	P	U	Z	T	T ₁	T	T ₁	T	T ₁	Y	Y ₁	Y	Y ₁	Y	Y ₁	Mass kg	
	Mot. B3	4)	C	H7 Ø	K DIN 582	5)	R	X	6)	$i_N \leq 31,5$	$i_N = 35,5 \dots 63$	$i_N \geq 71$	$i_N \leq 31,5$	$i_N = 35,5 \dots 63$	$i_N \geq 71$	$i_N \leq 31,5$	$i_N = 35,5 \dots 63$	$i_N \geq 71$	3)	3)	3)	3)			
140	132	309	162	70	160	150	M16	48	120	125	-	558	547	-	547	-	558	-	547	-	547	-	178		
	160	319	70		M16		700	106			-	558	547	-	-	-	558	-	547	-	-	-	184		
	180	339									-	558	-	-	-	-	558	-	-	-	-	-	193		
160	132	374	201	80	160	180	M16	60	150	136	-	-	653	-	653	-	-	-	-	653	-	653	-	294	
	160		100		M20		900	126			677	682	653	-	-	-	667	682	653	-	-	-	-	307	
	180										667	682	653	-	-	-	667	682	653	-	-	-	-	320	
	200	394									667	682	-	-	-	-	667	682	-	-	-	-	-	320	
180	132	374	201	90	160	180	M16	60	150	150	-	-	673	-	673	-	-	-	673	-	673	-	314		
	160		100		M20		900	123			697	702	673	-	673	-	687	702	673	-	673	-	326		
	180										687	702	673	-	-	-	687	702	673	-	-	-	-	340	
	200	394									687	702	673	-	-	-	687	702	673	-	-	-	-	340	
200	225	419									687	702	-	-	-	-	687	702	-	-	-	-	-	348	
	132	454	250	100	190	225	M16	80	180	167	-	-	-	-	821	-	-	-	-	-	-	811	-	474	
	160		130		M24		1100	160			-	-	821	-	821	-	-	-	-	-	811	-	811	-	487
	180										861	-	811	-	811	-	861	861	811	-	811	-	811	-	508
	200										851	-	811	-	-	-	861	861	811	-	-	-	-	-	508
	225	479									851	-	-	-	-	-	861	861	811	-	-	-	-	-	518
225	250	509									851	-	-	-	-	831	851	-	-	-	-	-	-	-	523
	280										841	-	-	-	-	-	831	851	-	-	-	-	-	-	543
	132	454	250	110	190	225	M16	80	180	167	-	-	-	-	846	-	-	-	-	-	-	836	-	508	
	160		130		M24		1100	160			-	-	846	-	846	-	-	-	-	836	-	836	-	520	
	180										-	-	836	-	836	-	-	-	-	836	-	836	-	537	
	200										876	876	836	-	836	-	886	886	836	-	836	-	836	-	542
250	225										876	876	836	-	-	-	886	886	836	-	-	-	-	-	551
	250	479									876	876	836	-	-	-	856	876	836	-	-	-	-	-	557
	280	509									866	876	-	-	-	-	856	876	-	-	-	-	-	-	577
	132	600	310	125	230	280	M20	100	380	206	-	-	-	-	1 022	-	-	-	-	-	-	1 012	-	813	
	160		250		M30		1300	198			-	-	-	-	1 022	-	-	-	-	-	-	1 012	-	831	
	180										-	-	1 042	-	1 012	-	-	-	1 042	-	1 012	-	1 012	-	859
280	200										-	-	1 032	-	1 012	-	-	-	1 042	-	1 012	-	1 012	-	859
	225										1 055	1 055	1 032	-	1 012	-	1 035	1 055	1 042	-	1 012	-	1 012	-	874
	250										1 055	1 055	1 032	-	-	-	1 035	1 055	1 012	-	-	-	-	-	883
	280										1 045	1 055	1 022	-	-	-	1 035	1 055	1 012	-	-	-	-	-	913
	315	635									1 035	1 055	-	-	-	-	1 035	1 055	-	-	-	-	-	-	965
	160	600	310	140	230	280	M20	100	380	222	-	-	-	-	1 052	-	-	-	-	-	-	1 042	-	890	
180		250		M30		1300	198			-	-	-	-	1 042	-	-	-	-	-	-	1 042	-	914		
200										-	-	1 062	1 062	1 042	-	-	-	1 072	1 072	1 042	-	1 042	-	918	
320	225										-	-	1 062	1 062	1 042	-	-	-	1 072	1 072	1 042	-	1 042	-	932
	250										1 085	1 085	1 062	1 062	1 042	-	1 065	1 085	1 042	1 062	1 062	-	1 042	-	943
	280										1 075	1 085	1 052	1 052	-	-	1 065	1 085	1 042	1 062	-	-	-	-	973
	315	635									1 065	1 085	1 042	1 062	-	-	1 065	1 085	1 042	1 062	-	-	-	-	1 024
	321										-	-	-	-	1 322	-	-	-	-	-	-	1 312	-	1 398	
	200										-	-	-	-	1 312	-	-	-	-	-	-	1 312	-	1 429	
360	225										-	-	1 302	1 307	1 302	-	-	-	1 282	1 307	1 312	-	-	-	1 445
	250										-	-	1 302	1 307	1 302	-	-	-	1 282	1 307	1 282	-	-	-	1 457
	280										1 345	1 345	1 292	1 307	1 292	-	1 335	1 337	1 282	1 307	1 282	-	-	-	1 502
	315										1 325	1 337	1 282	1 307	-	-	1 335	1 337	1 282	1 307	-	-	-	-	1 568
	355										1 315	1 337	-	-	-	-	1 305	1 337	-	-	-	-	-	-	1 622
	180	755	386	180	230	355	M20	100	450	273	-	-	-	-	1 352	-	-	-	-	-	-	1 352	-	1 532	
200		250		M36		1600	255			-	-	-	-	1 342	-	-	-	-	-	-	1 352	-	1 532		
225										-	-	-	-	1 342	-	-	-	-	-	-	1 352	-	-	1 549	
360	250										-	-	1 342	1 347	1 342	-	-	-	1 322	1 347	1 322	-	-	-	1 560
	280										-	-	1 332	1 347	1 332	-	-	-	1 322	1 347	1 322	-	-	-	1 599
	315										1 365	1 377	1 322	1 347	1 322	-	1 375	1 377	1 322	1 347	1 322	-	-	-	1 671
	355										1 355	1 377	-	-	-	-	1 345	1 377	-	-	-	-	-	-	1 724

1) Dimensions are valid also with shoe brake.

2) For L dimension see page 461 (motor sub-group).

3) With fan cooling.

4) Dimensions to be checked at page 468 according to train of gear and power supply.

5) Working length of thread 2-M.

6) In case of seals protected with labyrinth cover and greaser Z dimensions can be increased up to 15 mm, according to gear reducer size, consult us.

7) Masses are indicative. In order to obtain the total mass of the drive unit add the mass relative to the motor sub-group.

Dimensions and masses

A dimension for particular cases

The following tables show - according to the gear reducer train of gear, the motor number of poles and the nominal supply frequency - the change in A dimensions caused by the choice of hydraulic coupling different from that given in the tables of pages 465 to 467.

CI - 50 Hz

Gear	Size		A
	Mot.		
140	B3	160 6	350
		180 6	380
		200 6	380
		225 6	410
160	B3	180 6	410
		200 6	410
		225 6	440
		250 6	460
180	B3	280 6	490
		225 6	440
180	B3	250 6	460
		280 6	490
200	B3	225 6	470
		250 6	490
		280 6	520
		315 6	570
		315 6	610
225	B3	280 6	520
		315 6	570
		315 6	610
250	B3	355 4	690
		315 6	660
		315 6	690
		355 6	730
280	B3	355 4	690
		315 6	690
		355 6	730
320	B3	355 6	800
400	B3	400 6	940

CI - 60 Hz

Gear	Size		A
	Mot.		
140	B3	160 6	350
		180 6	350
		200 6	380
		225 6	410
160	B3	200 6	410
		225 6	440
180	B3	225 6	440
200	B3	225 6	470
		315 6	570
225	B3	315 6	570
250	B3	355 4	690
		315 6	660
		355 6	690
		355 6	730
280	B3	355 4	690
		355 6	690
		355 6	730
320	B3	355 6	800
400	B3	400 6	940

C2I - 50 Hz

Gear	Size		A
	Mot.		
140	B3	132 6	335
		160 6	335
		160 6	350
		180 6	380
160	B3	160 6	380
		180 6	410
		200 6	410
180	B3	160 6	380
		180 6	410
		200 6	410
		225 6	440
200	B3	225 6	470
		250 6	490
		280 6	520
225	B3	225 6	470
		250 6	490
		280 6	520
250	B3	280 6	610
		315 6	660
280	B3	280 6	610
		315 6	660
		315 6	690
320	B3	355 6	800
360	B3	355 6	800

C2I - 60 Hz

Gear	Size		A
	Mot.		
140	B3	160 6	335
		160 6	350
		180 6	350
160	B3	160 6	380
		180 6	380
		200 6	410
180	B3	160 6	380
		180 6	380
		200 6	410
		225 6	440
200	B3	225 6	470
225	B3	225 6	470
250	B3	315 6	660
280	B3	315 6	660
320	B3	355 6	800
360	B3	355 6	800

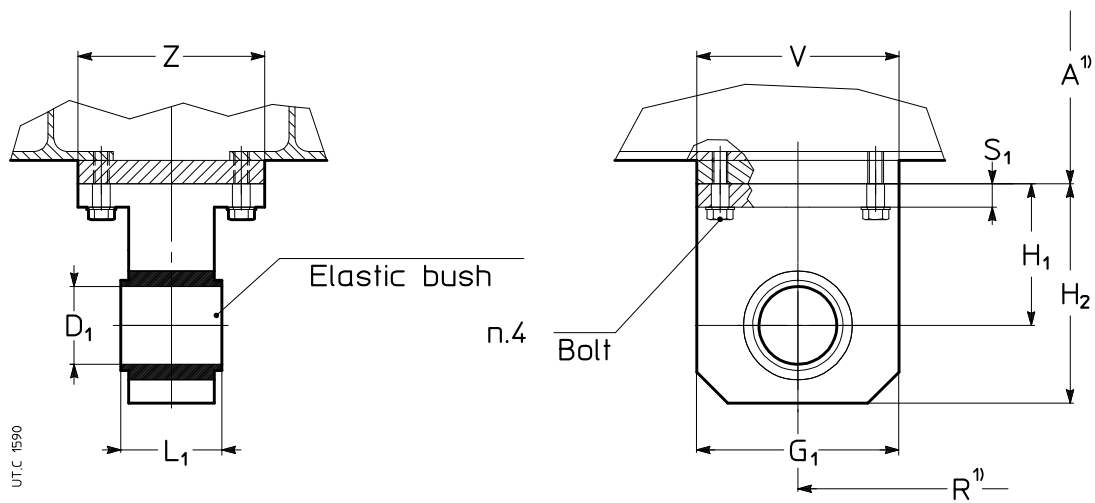
Accessories

Reaction point with elastic bush

Before mounting accurately clean the mating surfaces and provide a roughness sufficiently high to ensure a proper friction coefficient; if necessary, remove by a scraper or solvent the possible paint from the mating surfaces.

Fasten the screws with a dynamometric wrench to the tightening torque given in the table; check the tightening torque after the first running period and then at regular intervals.

It is recommended to use locking adhesives (such as LOCTITE) on the fastening screws and mating surfaces.



Size	G ₁	H ₁	H ₂	D ₁ H9	L ₁ ± 0,5	S ₁	V	Z	Bolt UNI 5937-65 8.8	M ²⁾ N m
140	100	80	130	40	88	17	200	130	M16	205
160, 180	100	80	130	40	88	17	200	140	M16	205
200, 225	125	95	157,5	50	110	17	230	170	M16	205
250... 360	250	165	290	100	120	22	280	300	M20	400

1) For A dimensions see tables at pages 465 and 467.

2) Tightening torque.

Installation and maintenance

The drive unit is supplied complete with the relevant Installation and Maintenance Instructions for all the components of the drive unit.

Gear reducer are supplied without oil. For quantities and type of oil, as well as oil change intervals, please follow the relative catalog instructions or in the gear reducers Installation and Maintenance manual.

Hydraulic couplings are supplied without oil. For quantities and type of oil please follow the relevant catalog instructions or in the specific Installation and Maintenance manual.

Lifting

Lift the drive unit through the lifting points as shown on fig. 1a, using chains or lifting steps.

The drive unit is supplied including no.2 lifting lugs fitted on the gear reducer, while the lifting bar is up to Customer.

We strongly recommend to size the lifting tools with a safety margin of 25% with respect to the total mass given on the catalog and/or on the nameplate of the drive unit.

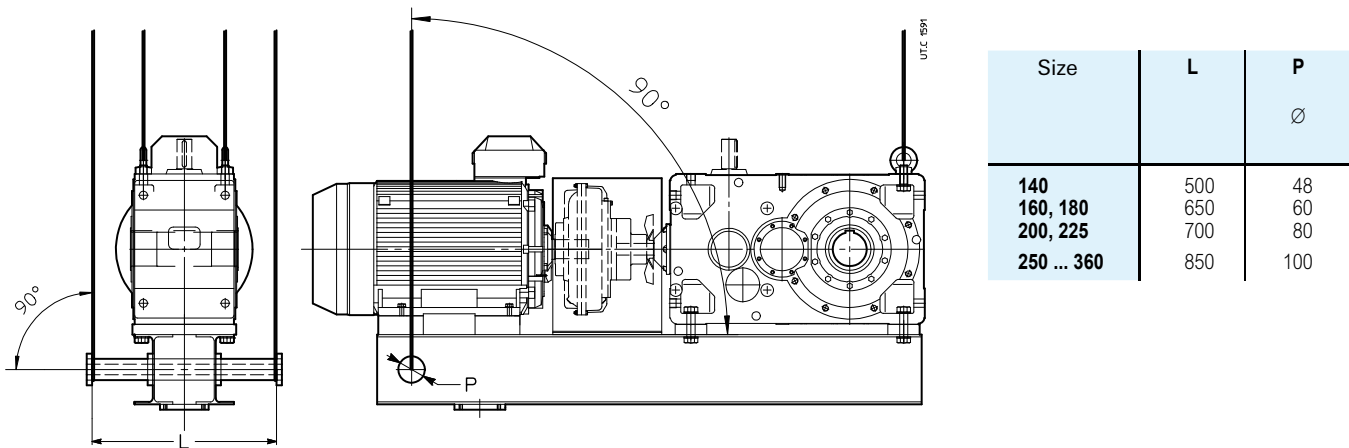


Fig. 1a - **Right** way of lifting

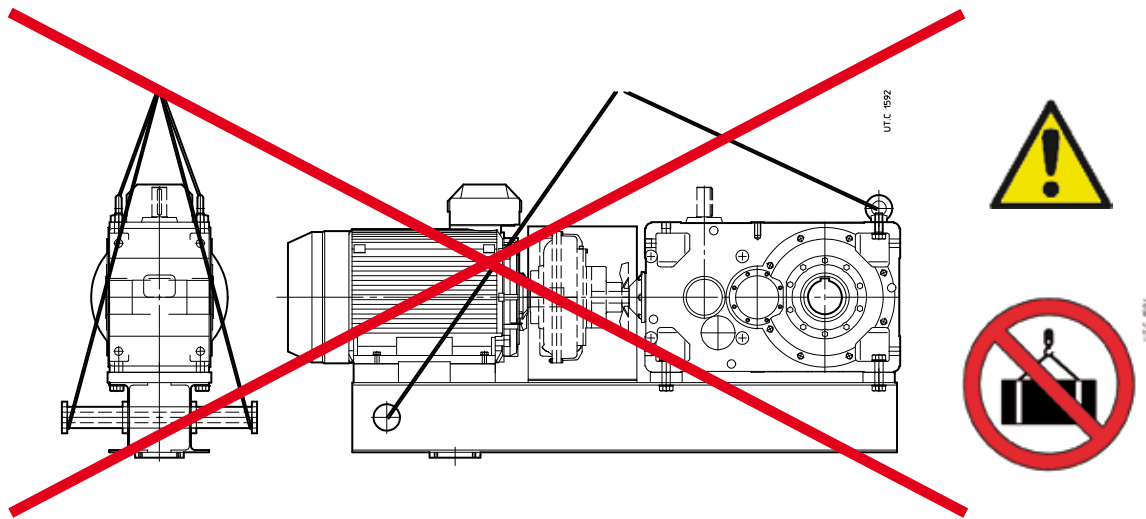


Fig. 1b - **Wrong** way of lifting

Miscellaneous

Drive unit with:

- **Special painting** for hard ambient conditions, consult us
- **Torque arm**: features and dimensions to be agreed with the Customer
- Gearmotor arrangements made by means of **bell housing and elastic coupling** are available for all gearbox sizes
- **Emergency units** including auxiliary drives connected to the main drive unit
Different types of gear units can be used as auxiliary drive and connected directly to the main drive through a freewheel or an overrunning clutch which allows to keep the second drive idle during normal running
- **External belt drives**, together with motor support
- **Electromagnetic clutch**
- **Positive brakes**
- **All-steel couplings**
- **Gear couplings**, standard or disengageable type
- Torque limiters
- **Arrangement according to ATEX II 2GD and 3GD**, with necessary accessories for control and setting
- **Swing base for fixing to ground**

Blank page

Technical formulae

Main formulae concerning mechanical drives, according to the Technical System and International Unit System (SI).

Size

With Technical System units

With SI units

starting or stopping **time** as a function of an acceleration or deceleration, of a starting or braking torque

$$t = \frac{Gd^2 \cdot n}{375 \cdot M} \text{ [s]}$$

$$t = \frac{v}{a} \text{ [s]}$$

$$t = \frac{J \cdot \omega}{M} \text{ [s]}$$

velocity in rotary motion

$$v = \frac{\pi \cdot d \cdot n}{60} = \frac{d \cdot n}{19,1} \text{ [m/s]}$$

$$v = \omega \cdot r \text{ [m/s]}$$

speed

$$n = \frac{60 \cdot v}{\pi \cdot d} = \frac{19,1 \cdot v}{d} \text{ [min}^{-1}\text{]}$$

$$\omega = \frac{v}{r} \text{ [rad/s]}$$

acceleration or deceleration as a function of starting or stopping time

$$a = \frac{v}{t} \text{ [m/s}^2\text{]}$$

angular acceleration or deceleration as a function of a starting or stopping time, of a starting or braking torque

$$\alpha = \frac{n}{9,55 \cdot t} \text{ [rad/s}^2\text{]}$$

$$\alpha = \frac{\omega}{t} \text{ [rad/s}^2\text{]}$$

$$\alpha = \frac{39,2 \cdot M}{Gd^2} \text{ [rad/s}^2\text{]}$$

$$\alpha = \frac{M}{J} \text{ [rad/s}^2\text{]}$$

starting or stopping **distance** as a function of a starting or stopping time, of a starting or braking velocity

$$s = \frac{a \cdot t^2}{2} \text{ [m]}$$

$$s = \frac{v \cdot t}{2} \text{ [m]}$$

starting or stopping **angle** as a function of an angular acceleration or deceleration, of a final or initial angular velocity

$$\varphi = \frac{\alpha \cdot t^2}{2} \text{ [rad]}$$

$$\varphi = \frac{n \cdot t}{19,1} \text{ [rad]}$$

$$\varphi = \frac{\omega \cdot t}{2} \text{ [rad]}$$

mass

$$m = \frac{G}{g} \text{ [kgf s}^2\text{/m]}$$

m is the unit of mass [kg]

weight (weight force)

G is the unit of weight (weight force) [kgf]

$$G = m \cdot g \text{ [N]}$$

force in vertical (lifting), horizontal, inclined motion of translation (μ = coefficient of friction; φ = angle of inclination)

$$F = G \text{ [kgf]}$$

$$F = m \cdot g \text{ [N]}$$

$$F = \mu \cdot G \text{ [kgf]}$$

$$F = \mu \cdot m \cdot g \text{ [N]}$$

$$F = G (\mu \cdot \cos \varphi + \sin \varphi) \text{ [kgf]}$$

$$F = m \cdot g (\mu \cdot \cos \varphi + \sin \varphi) \text{ [N]}$$

dynamic moment Gd^2 , **moment of inertia** J due to a motion of translation (numerically $J = \frac{Gd^2}{4}$)

$$Gd^2 = \frac{365 \cdot G \cdot v^2}{n^2} \text{ [kgf m}^2\text{]}$$

$$J = \frac{m \cdot v^2}{\omega^2} \text{ [kg m}^2\text{]}$$

torque as a function of a force, of a dynamic moment or of a moment of inertia, of a power

$$M = \frac{F \cdot d}{2} \text{ [kgf m]}$$

$$M = F \cdot r \text{ [N m]}$$

$$M = \frac{Gd^2 \cdot n}{375 \cdot t} \text{ [kgf m]}$$

$$M = \frac{J \cdot \omega}{t} \text{ [N m]}$$

$$M = \frac{716 \cdot P}{n} \text{ [kgf m]}$$

$$M = \frac{P}{\omega} \text{ [N m]}$$

work, energy in motion of translation, in rotary motion

$$W = \frac{G \cdot v^2}{19,6} \text{ [kgf m]}$$

$$W = \frac{m \cdot v^2}{2} \text{ [J]}$$

$$W = \frac{Gd^2 \cdot n^2}{7160} \text{ [kgf m]}$$

$$W = \frac{J \cdot \omega^2}{2} \text{ [J]}$$

power in motion of translation, in rotary motion

$$P = \frac{F \cdot v}{75} \text{ [CV]}$$

$$P = F \cdot v \text{ [W]}$$

$$P = \frac{M \cdot n}{716} \text{ [CV]}$$

$$P = M \cdot \omega \text{ [W]}$$

power available at the shaft of a single-phase motor ($\cos \varphi$ = power factor)

$$P = \frac{U \cdot I \cdot \eta \cdot \cos \varphi}{736} \text{ [CV]}$$

$$P = U \cdot I \cdot \eta \cdot \cos \varphi \text{ [W]}$$

power available at the shaft of a three-phase motor

$$P = \frac{U \cdot I \cdot \eta \cdot \cos \varphi}{425} \text{ [CV]}$$

$$P = 1,73 \cdot U \cdot I \cdot \eta \cdot \cos \varphi \text{ [W]}$$

Note. Acceleration or deceleration are understood constant; motion of translation and rotary motion are understood rectilinear and circular respectively.

Global presence local service



Local support

Sales, customer service,
technical support, spare parts



15 branches*

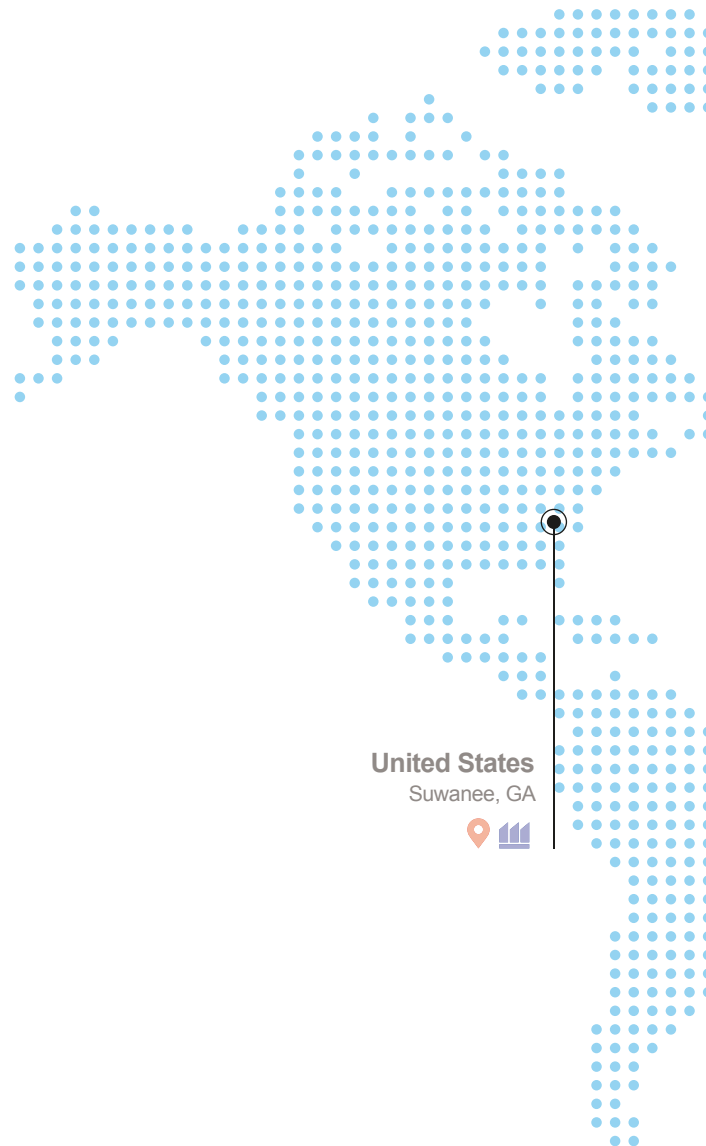


Worldwide distribution network*

A global network of subsidiaries and dealers.
From design and execution to after sales service.
Rossi S.p.A. is always close to you, a local reliable and
flexible partner.

Alongside our 24/7 **Rossi for You** portal you have a suite
of digital support tools enabling real time access to your
order tracking, invoices, spare part tables download and
contact to our service.

*All contacts available on www.rossi.com



United States

Suwanee, GA



Brazil
Cordeiropolis, SP



 Headquarters

 Branches

 Production facilities/Assembly plants

United Kingdom

Coventry



Netherlands

Panningen



Germany

Dreieich



Poland

Wroclaw



Turkey

Izmir



China

Shanghai



Souzhou



Taiwan

Kaohsiung City



Spain

Barcelona



France

Saint Priest



Italy

Modena



Ganaceto



Lecce



India

Coimbatore



Australia

Perth



Sud Africa

La Mercy



Malesia

Kuala Lumpur



Blank page

Index of revisions

List of main updates - G Edition 2590-02.00

Added former catalogs:
G Addition (sizes 400, 401)
RE drive units on swing base for the contents relevant to G drives

Added the "long version" for sizes 80, 81 MR 2I and 3I

page. 447: removed monthly control option for category 2 GD

List of main updates - G Edition 2590-02.01

page 430: flange (sizes 400, 401) added

List of main updates - G Edition 2590-23.05

Updating of ch. 11, 12, 13, 14 with new IE4 motors



Rossi

Solutions for
an evolving
industry

Rossi S.p.A.

Via Emilia Ovest 915/A
41123 Modena - Italy

info@rossi.com
www.rossi.com

2590.PRD.CAT.G.23.05.0-EN

© Rossi S.p.A. Rossi reserves the right to make any modification whenever to this publication contents. The information given in this document only contains general descriptions and/or performance features which may not always specifically reflect those described.

The Customer is responsible for the correct selection and application of product in view of its industrial and/or commercial needs, unless the use has been recommended by technical qualified personnel of Rossi, who were duly informed about Customer's application purposes. In this case all the necessary data required for the selection shall be communicated exactly and in writing by the Customer, stated in the order and confirmed by Rossi. The Customer is always responsible for the safety of product applications. Every care has been taken in the drawing up of the catalog to ensure the accuracy of the information contained in this publication, however Rossi can accept no responsibility for any errors, omissions or outdated data. Due to the constant evolution of the state of the art, Rossi reserves the right to make any modification whenever to this publication contents. The responsibility for the product selection is of the Customer, excluding different agreements duly legalized in writing and undersigned by the Parties.